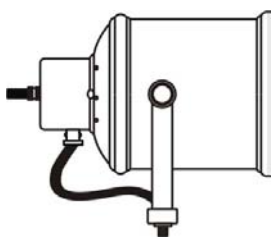


ASSEMBLY INSTRUCTION

ADJUSTABLE TRI-POD DESK LAMP

A SOCKET ASSEMBLY
*1PC



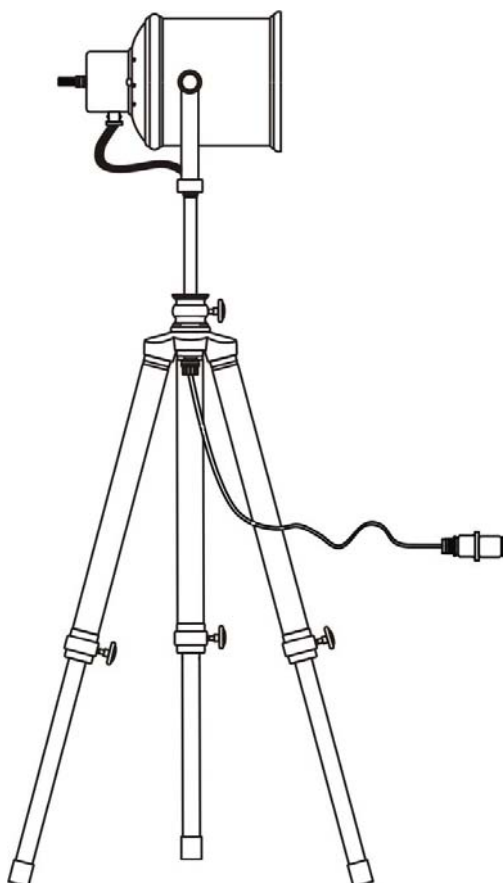
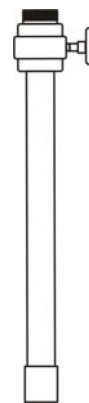
B TUBE
*1PC



C TUBE
*3PC



D ADJUSTABLE TUBE
*3PC

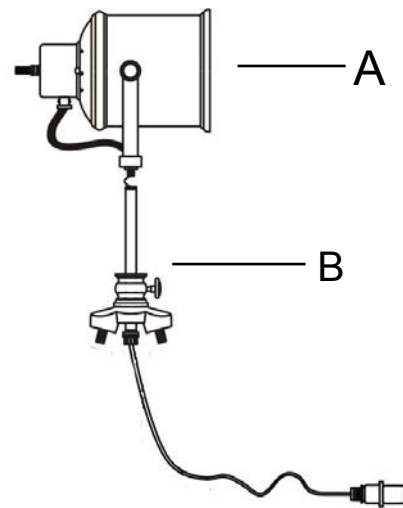


IMPORTANT SAFETY INSTRUCTIONS

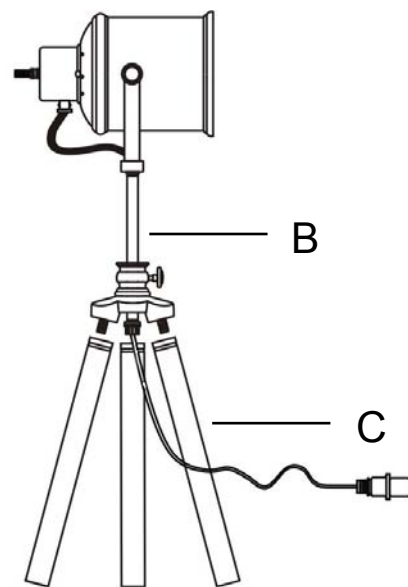
THIS PORTABLE LAMP HAS A POLARIZED PLUG (ONE BLADE IS WIDER THAN THE OTHER) AS A SAFETY FEATURE TO REDUCE THE RISK OF ELECTRIC SHOCK. THIS PLUG WILL FIT IN A POLARIZED OUTLET ONLY ONE WAY. IF THE PLUG DOES NOT FIT FULLY IN THE OUTLET, REVERSE THE PLUG. IF IT STILL DOES NOT FIT, CONTACT A QUALIFIED ELECTRICIAN. NEVER USE WITH AN EXTENSION CORD UNLESS PLUG CAN BE FULLY INSERTED. DO NOT ALTER THE PLUG.

This page lists all the contents included in the box. Please take the time to identify the hardware as well as the individual components to this product. As you unpack and prepare for assembly, place the contents on a carpeted or padded area to protect them from damage.

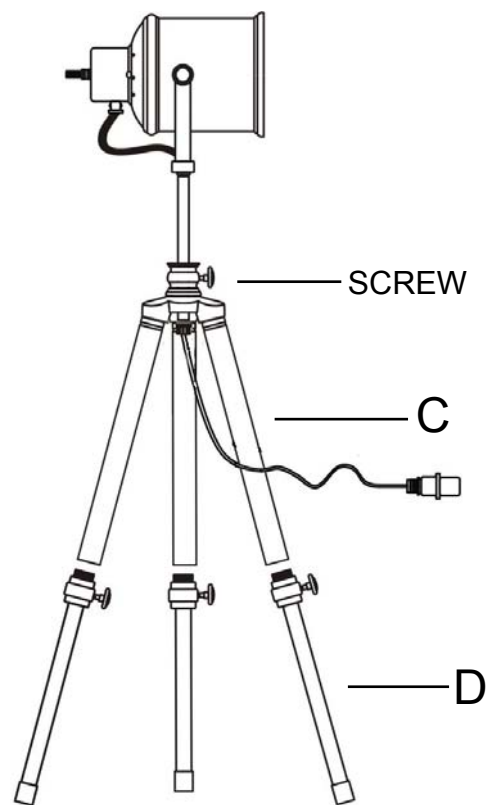
1 FASTEN SOCKET ASSEMBLY (A) ONTO TUBE (B). BE CAREFUL NOT TO TWIST POWER CORD. TIGHTEN SECURELY.



2 FASTEN TUBE (C) ONTO TUBE (B).



3 FASTEN TUBE (D) ONTO TUBE (C). ADJUST HEIGHT AND TIGHTEN WITH SCREW.



Cleaning & Care

Treat surface with care. Surface is resistant to scratches but is not scratch resistant. Clean surfaces with a dry or damp soft cloth. Do not use abrasive cleaners. Hardware may loosen over time. Periodically check that all connections are tight.