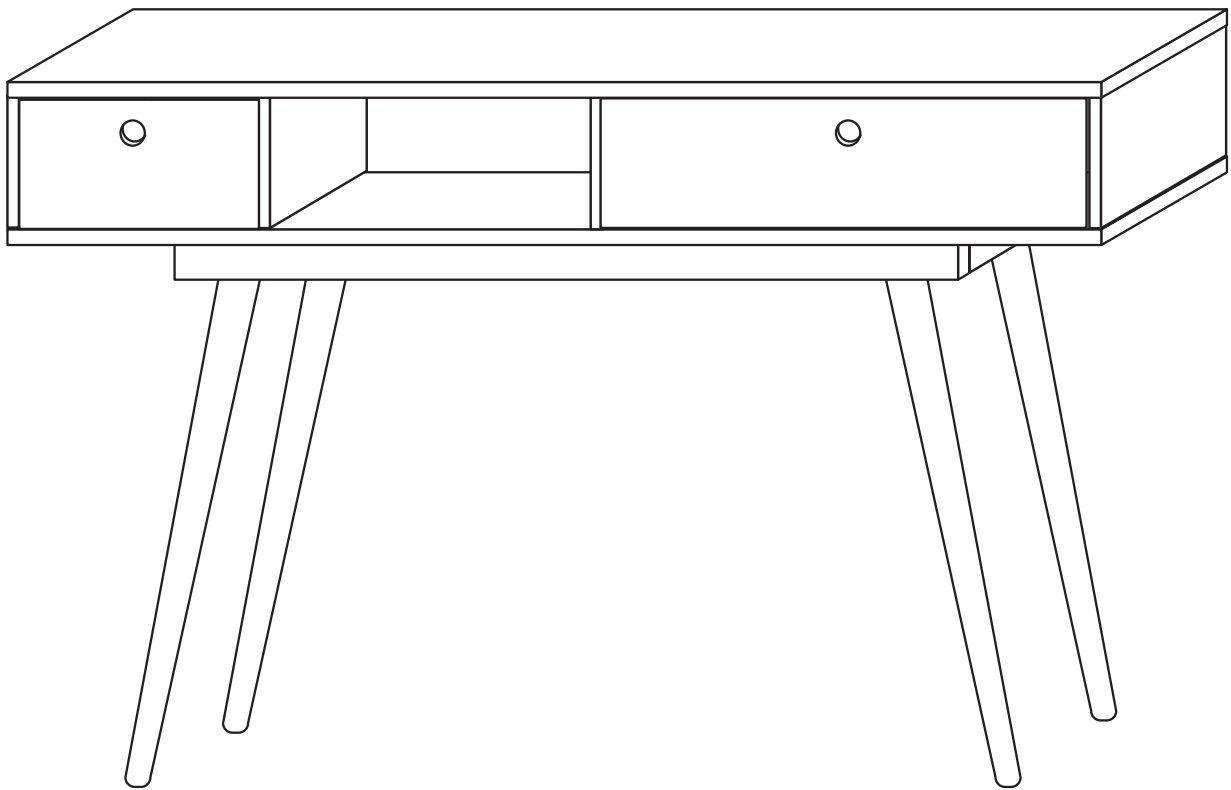


Assembly Instructions - Please keep for future reference



Dimensions

Width - 120cm
Depth - 55cm
Height - 78.5cm

Important – Please read these instructions fully before starting assembly



Safety and Care Advice

Important – Please read these instructions fully before starting assembly

- Check you have all the components and tools listed on pages 2 and 3.
- Remove all fittings from the plastic bags and separate them into their groups.
- Keep children and animals away from the work area, small parts could choke if swallowed.
- Make sure you have enough space to layout the parts before starting.

- Do not stand or put weight on the product, this could cause damage.
- Assemble the item as close to its final position (in the same room) as possible.
- Assemble on a soft level surface to avoid damaging the unit or your floor.
- Parts of the assembly will be easier with 2 people.



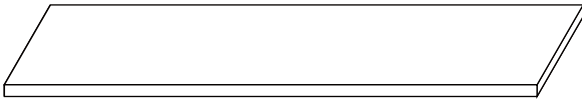
- We do not recommend the use of power drill/drivers **for inserting screws**, as this could damage the unit. Only use hand screwdrivers.
- Dispose of all packaging carefully and responsibly.

Care and maintenance

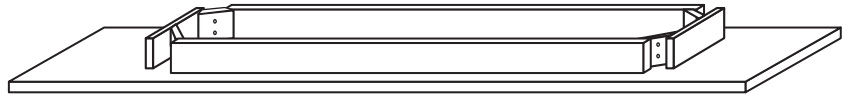
- Only clean using a damp cloth and mild detergent, do not use bleach or abrasive cleaners.
- From time to time check that there are no loose screws on this unit.
- This product should not be discarded with household waste. Take to your local authority waste disposal centre.

Components - Panels

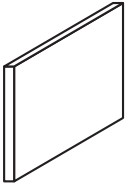
Please check you have all the panels listed below



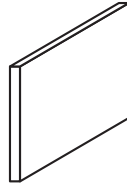
1 Top



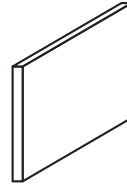
2 Left side



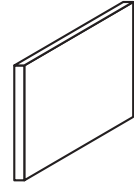
3 Left side



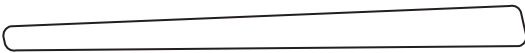
4 Left partition



5 Right partition



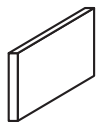
6 Right side



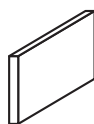
7 Wood leg x 4



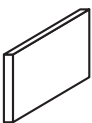
18 Back panel



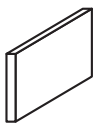
8 Small drawer right side



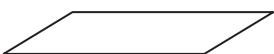
13 Large drawer left side



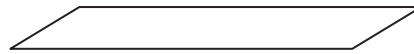
9 Small drawer left side



14 Large drawer right side



11 Small drawer base



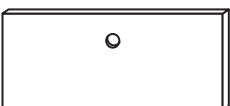
16 Large drawer base



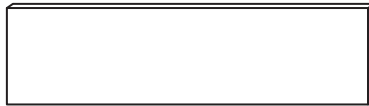
10 Small drawer back



15 Large drawer back



12 Small drawer front

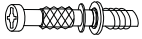













17 Large drawer front

Components - Fittings

Please check you have all the fittings listed below


Note: The quantities below are the correct amount to complete the assembly. In some cases more fittings may be supplied than are required.

<p>a</p>  <p>Camlock bolt x 12</p>	<p>b</p>  <p>Camlock nut x 12</p>	<p>c</p>  <p>Wooden dowel x 24</p>
<p>d</p>  <p>Large screw x 12</p>	<p>e</p>  <p>Medium screw x 4</p>	<p>f</p>  <p>Runner x 4</p>
<p>g</p>  <p>Small screw x 12</p>	<p>h</p>  <p>Bolt x 8</p>	<p>i</p>  <p>Sprung washer x 8</p>
<p>j</p>  <p>Washer x 8</p>	<p>k</p>  <p>Back panel fixing kit x 6</p>	<p>l</p>  <p>Allen key x 1</p>

Tools required

 Crosshead screwdriver
(medium & large)

 Flatblade screwdriver
(medium)

 Small
hammer

 Ruler/tape
measure

 Eye protection
(when using a
hammer or glue)

Ruler - Use this ruler to help correctly identify the screws



Assembly Instructions

Step 1

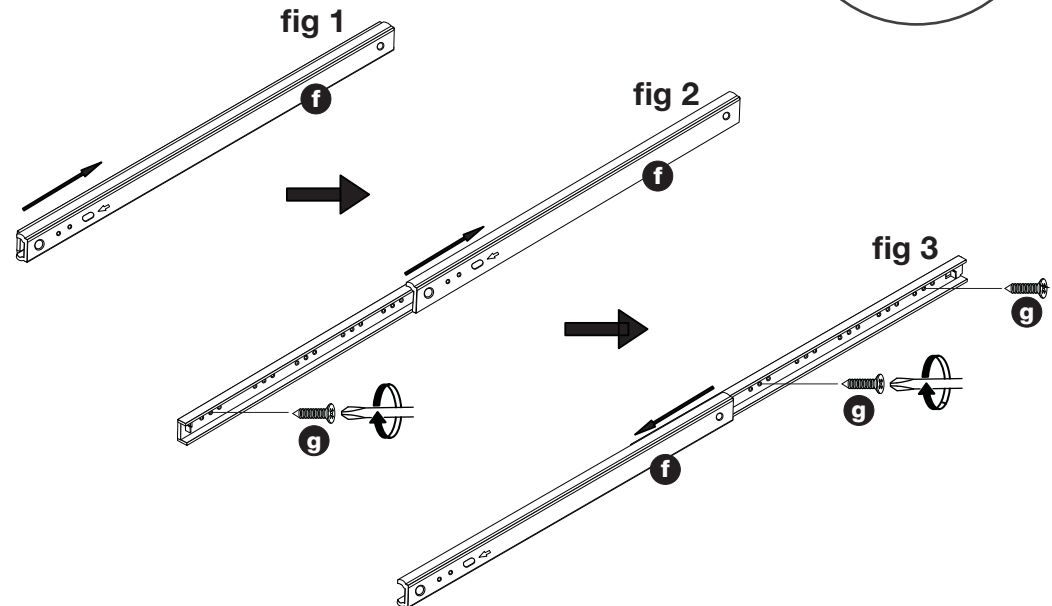
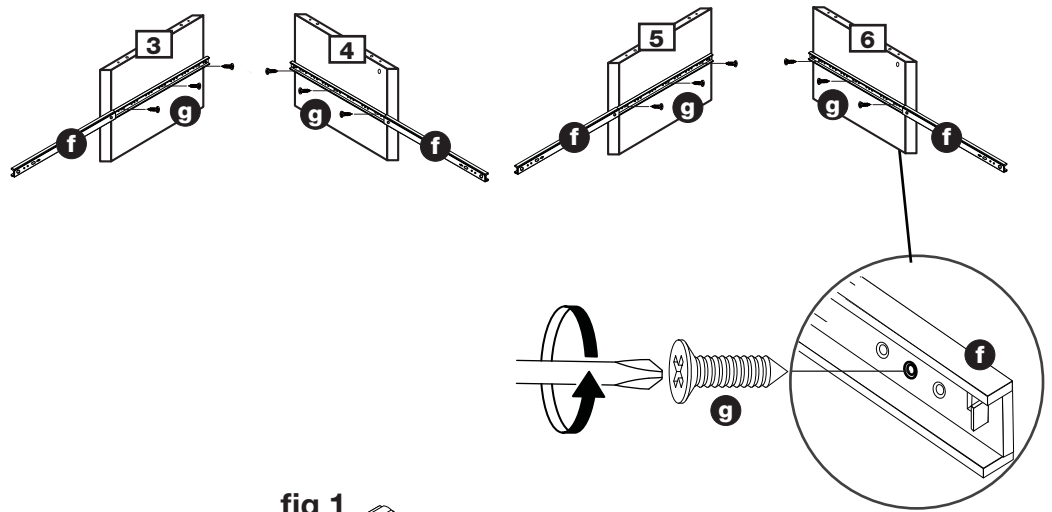
Preparation

a: Position runner **f** to left side **3** using 3 x small screw **g**.

NOTE: Slide the runner open (as shown in fig 2) and attach the first screw, then slide the other way (as shown in fig 3) to attach the other 2 screws.

Repeat to attach 1 x runner **f** each to left partition **4**, right partition **5** and right side **6** using 3 x small screw **g** for each

a:



b: Attach 8 x camlock bolt **e** to top **1** as shown.

Step 2

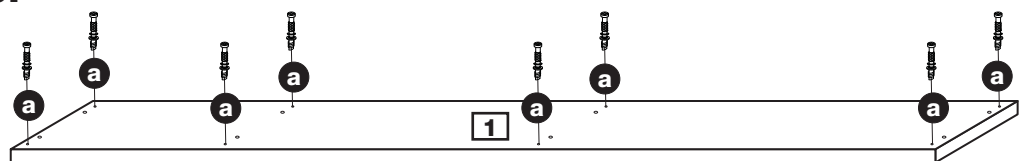
Frame assembly

c: Insert 8 x wooden dowel **c** as shown.

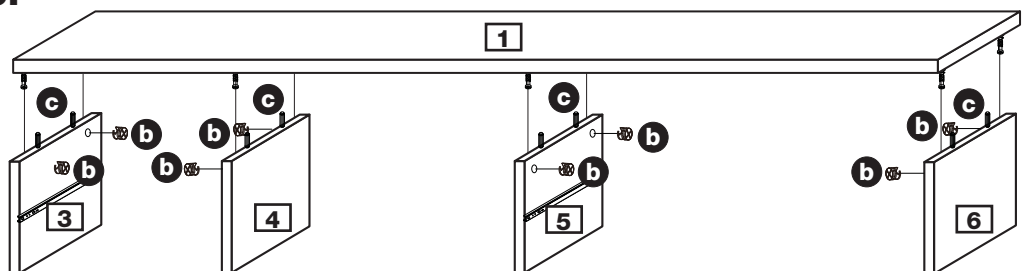
Attach top **1** to left side **3**, left partition **4** and right partition **5** and right side **6** as shown - ensuring that the runners are facing each other.

Insert 8 x camlock nut **b** as shown and rotate clockwise for about 1/4 to 1/2 a turn or until the nut "connects" with the bolt and is secure.

b:



c:

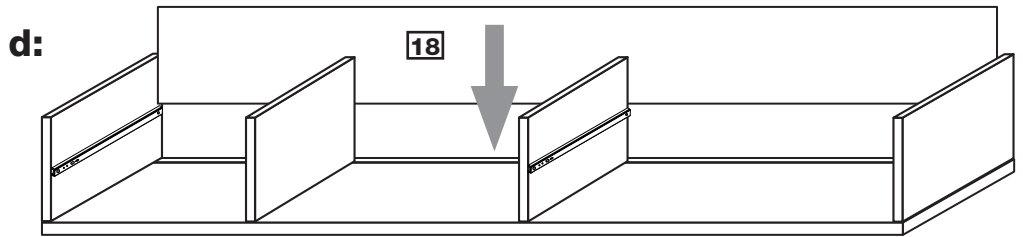


Assembly Instructions

Step 2 cont.

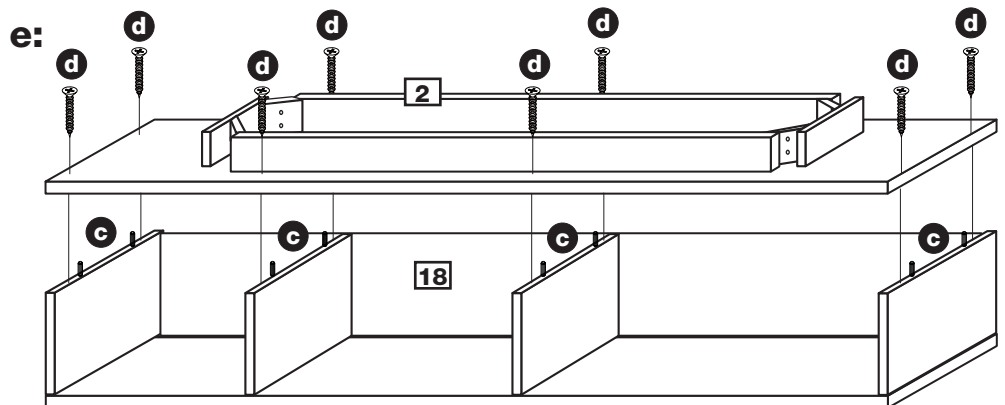
Frame assembly

d: Slide in back panel **18** as shown.

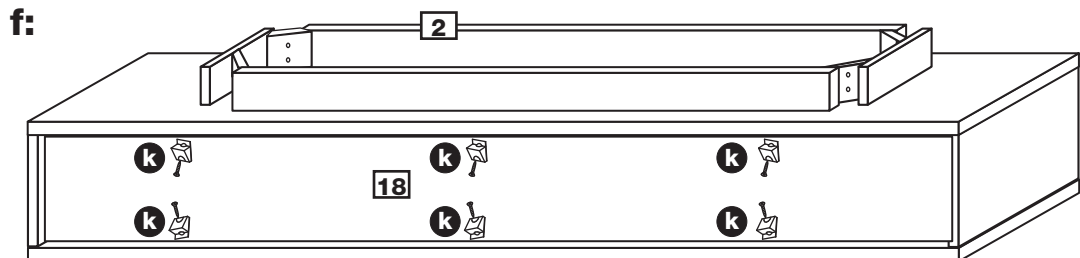


e: Insert 8 x wooden dowel **c** - 2 each into left side **3**, left partition **4** and right partition **5** and right side **6**

Place base **2** as shown and fix into place using 8 x large screw **d**.



f: Slide in 6 x back panel fixing kit **k** between the frame and the back panel **18**. Make sure the frame is square then screw into the frame as shown.



Step 3

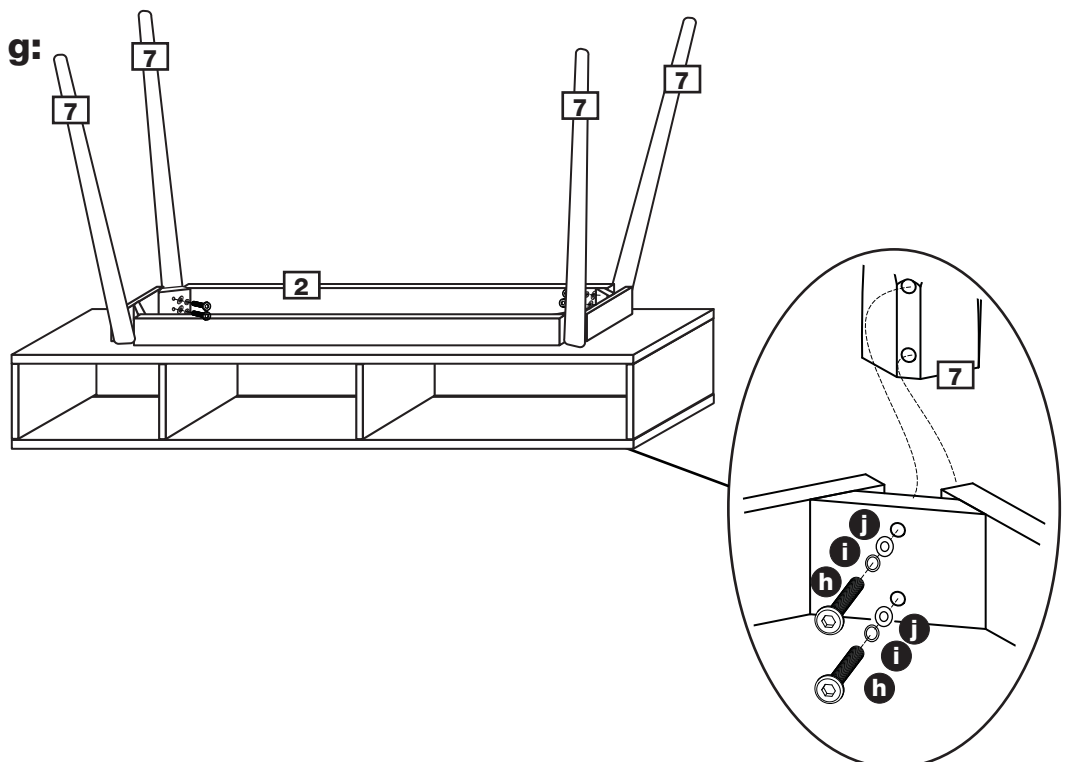
Adding legs

g: One leg **7** is attached to each corner of the assembled frame.

Place a sprung washer **i** and washer **j** onto a bolt **h** - repeat for all 8 x bolt **h**.

Affix leg **7** to assembled frame as shown using 2 of the bolt **h** with washers **i** and **j** as shown.

Repeat for all 4 x leg **7**.



Assembly Instructions

Step 4

Assemble drawer

f: Insert 2 x wooden dowel **c** into small drawer back **10**. Attach small drawer left side **8** to small drawer back **10** using 1 x large screw **d**. Attach small drawer right side **9** to small drawer back **10** using 1 x large screw **d**.

Repeat for large drawer parts **13**, **14** and **15**.

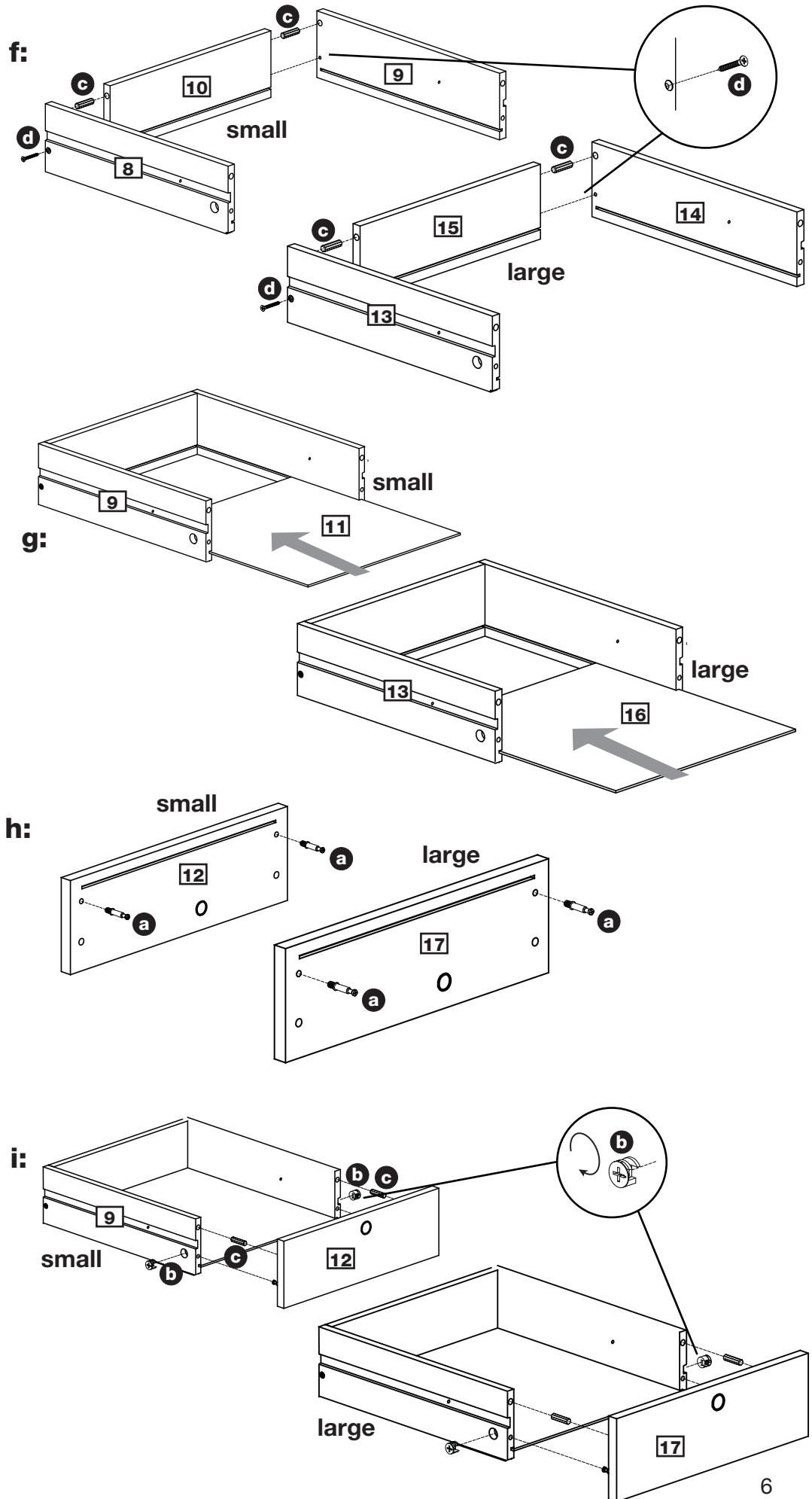
g: Slide small drawer base **11** into assembled small drawer frame as shown.

Slide large drawer base **16** into assembled large drawer frame as shown.

h: Insert 2 x camlock bolt **a** each into drawer front **12** and large drawer front **17**.

i: Insert 2 x wooden dowel **c** into small drawer frame. Attach small drawer front **12** to assembled small drawer frame. Insert 2 x camlock nut **b** as shown and rotate clockwise for about 1/4 to 1/2 a turn or until the nut "connects" with the bolt and is secure.

Repeat to attach large drawer front **17** to assembled large drawer frame.



Assembly Instructions

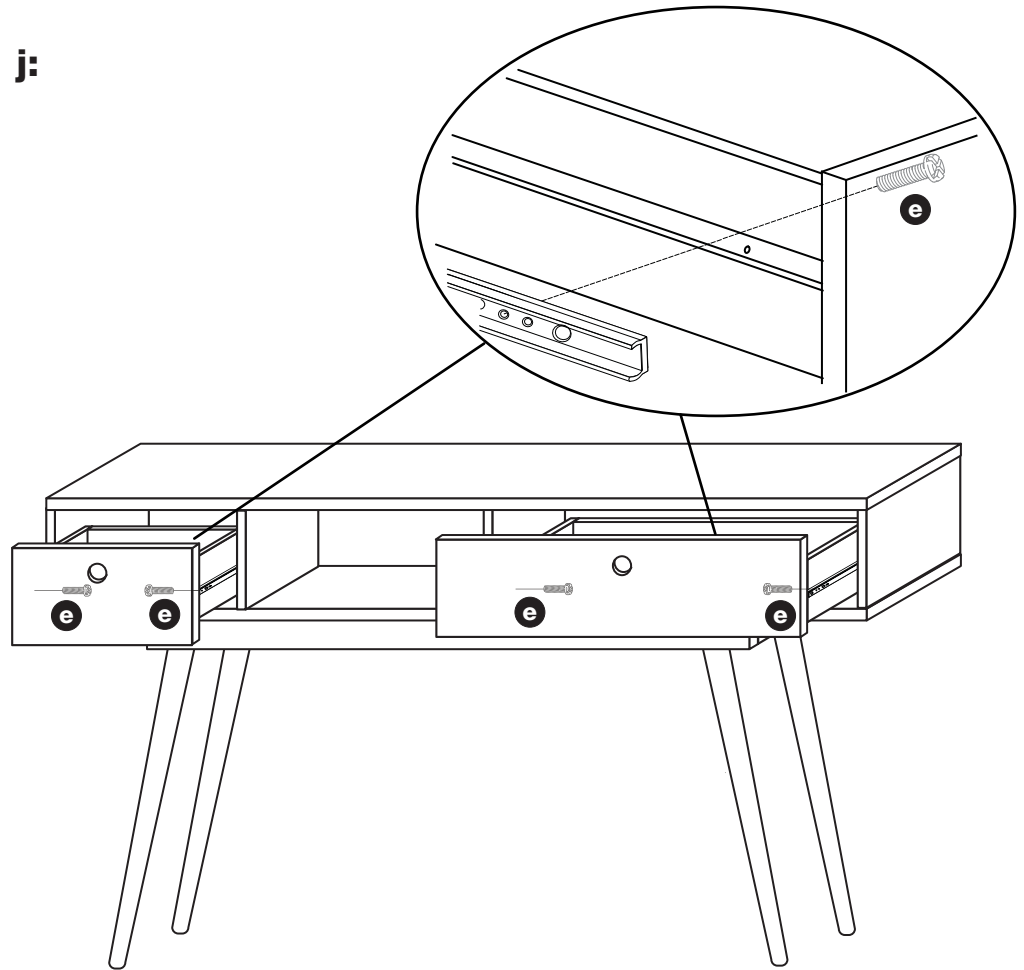
Step 5

Final assembly

j: Slide the assembled drawers into the assembled frame.

Pull the runners forward.

From inside the drawer use 2 x medium screw **e** to attach each drawer to the runners through the second small hole.



Assembly is complete.