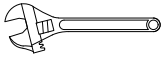


## Freestanding Tub Installation Guidance

# Required Tools

Wrench



Ink line marker  
& pencil



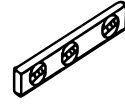
Tape measure



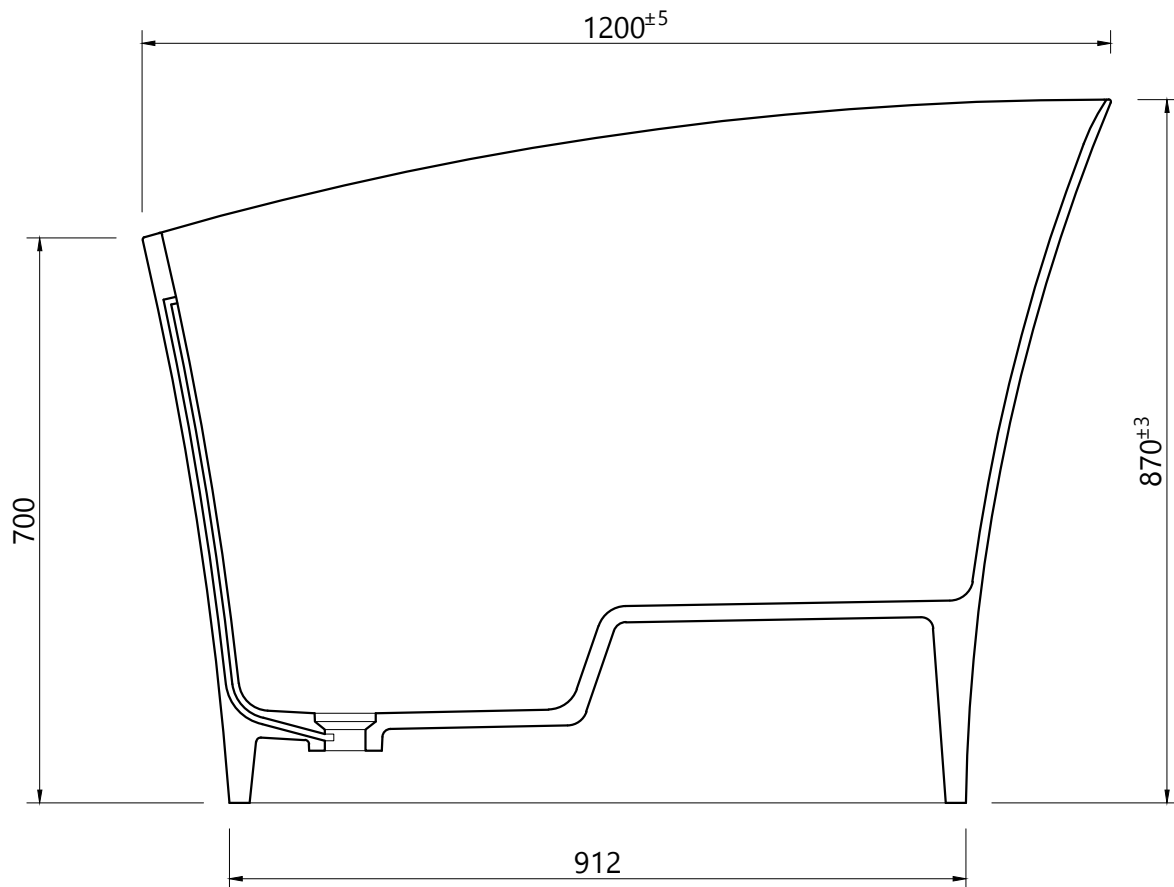
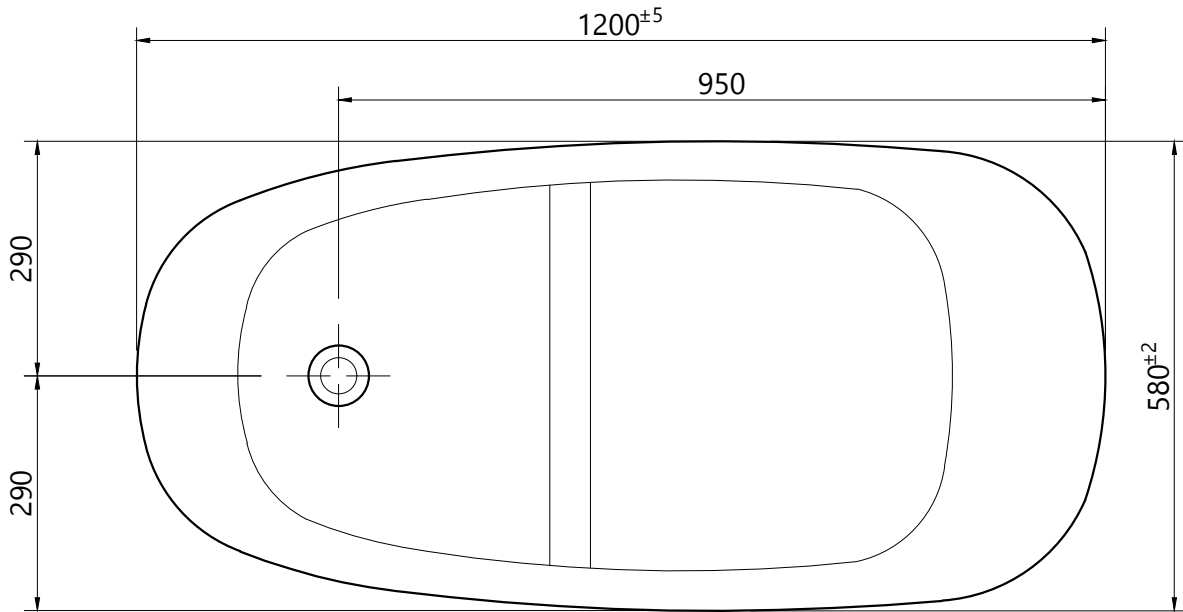
Silicone sealant



Ruler



Safety glasses



02

## **Before You Begin**

1. Please read this manual carefully before installation to familiarize yourself with the required tools, safety precautions, and installation instructions. Doing so will help you avoid costly mistakes.
2. The installation of the massage tub requires professionals.
3. Please check whether all the accessories are in good condition, and if the surface of the tub is impacted or damaged after unpacking.
4. Please do not tear off the plastic film on the surface of the bathtub during the installation process.

## **Installation Environment**

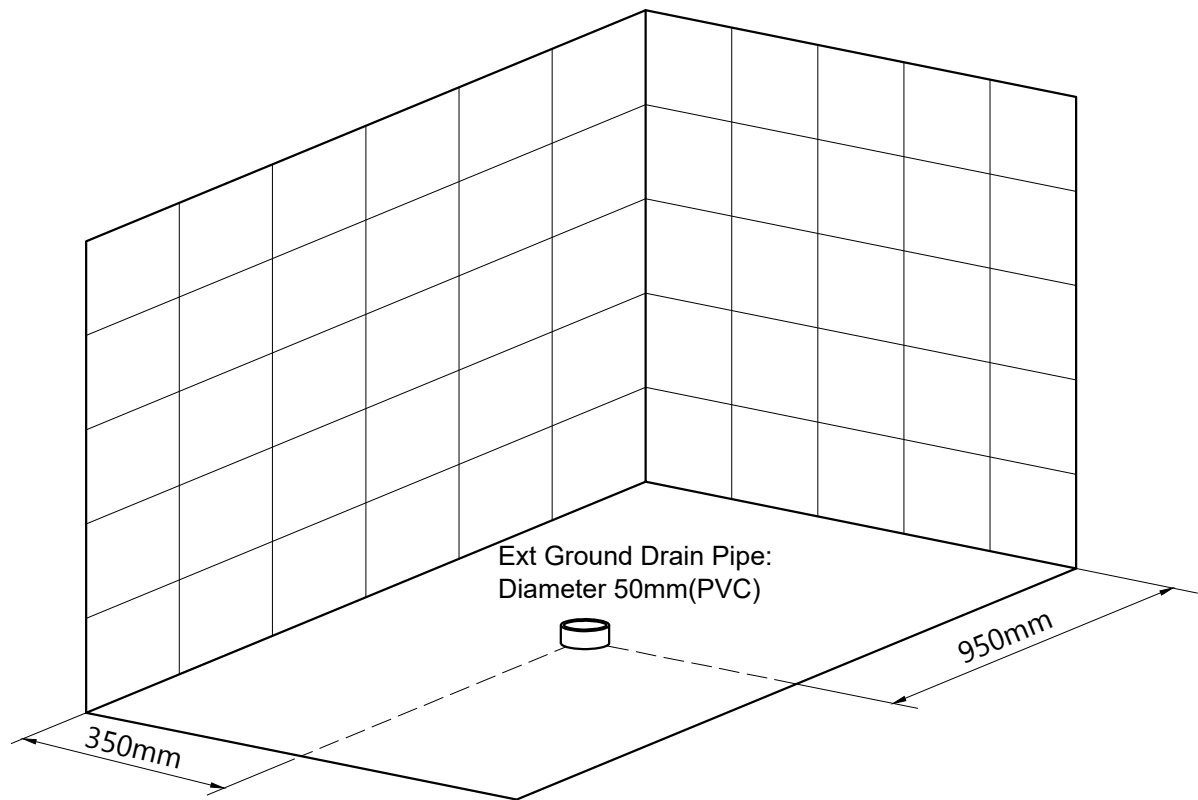
1. We recommend that you install the bathtub on the tiled floor for the convenience of maintenance and cleaning.
2. Please start the installation of the bathtub after completing the wall and floor decoration.

## **SAFETY**

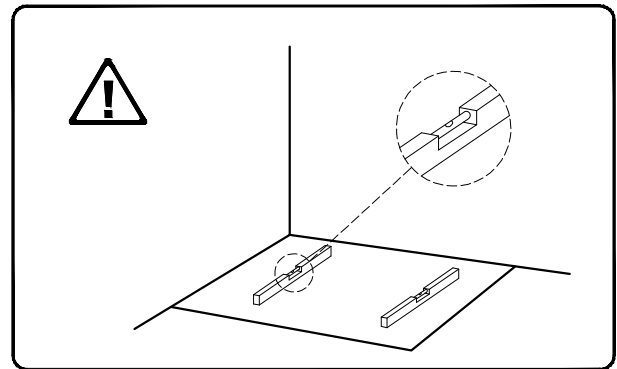
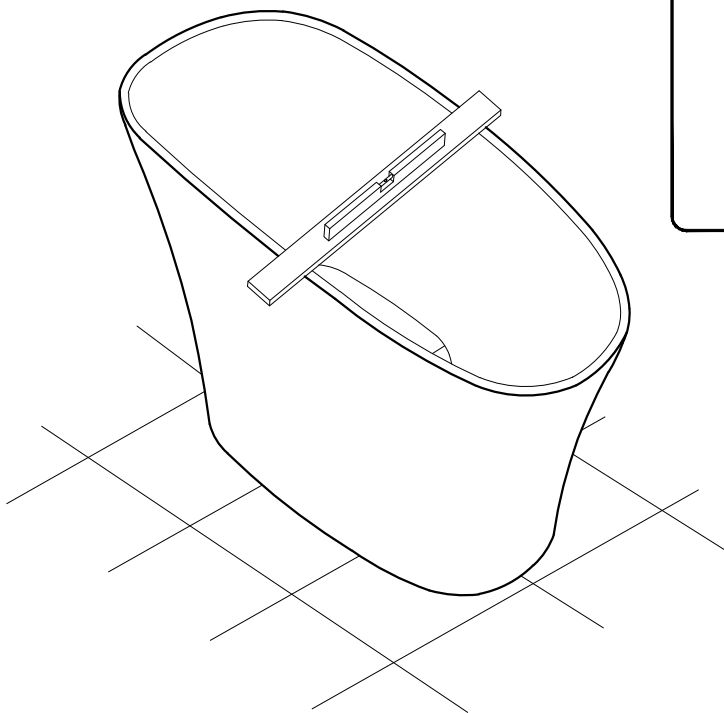
1. Prohibit putting light bulbs and starting open flame in the tub when installing.
2. Prohibit putting sand, cement, and other sundries that are easy to damage the surface of the bathtub in it during installation.
3. Prohibit pouring paint, glue, and other solvents into the bathtub during installation.

## Step 01

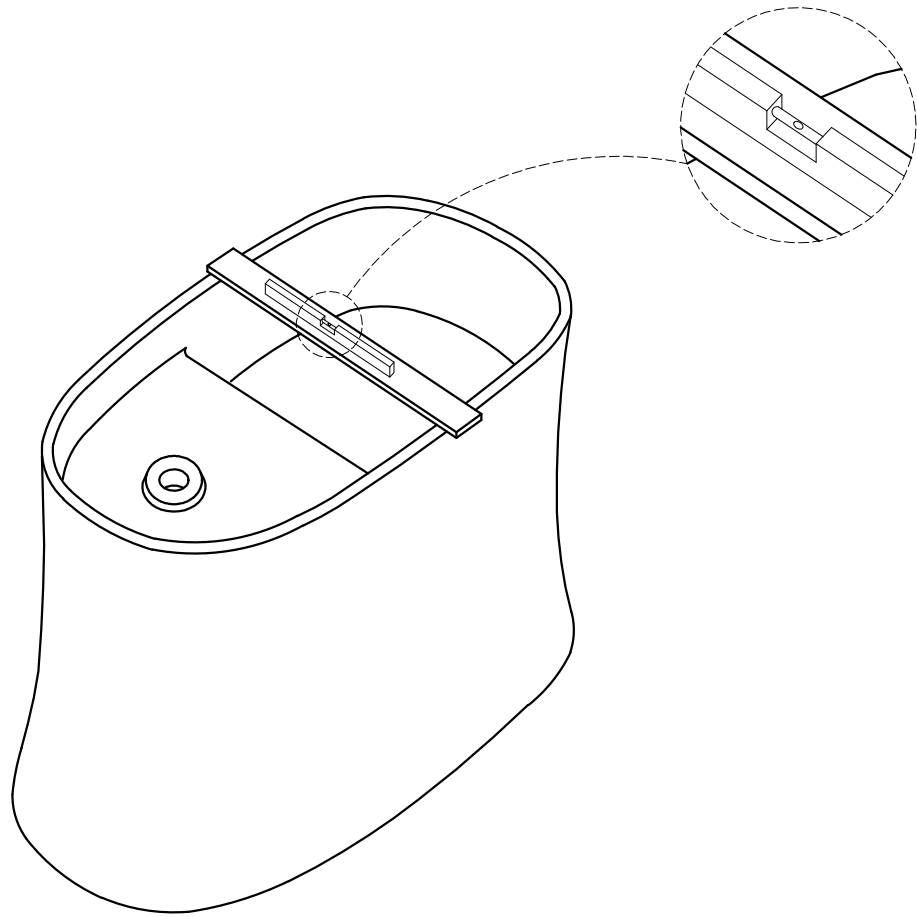
## Installation Steps



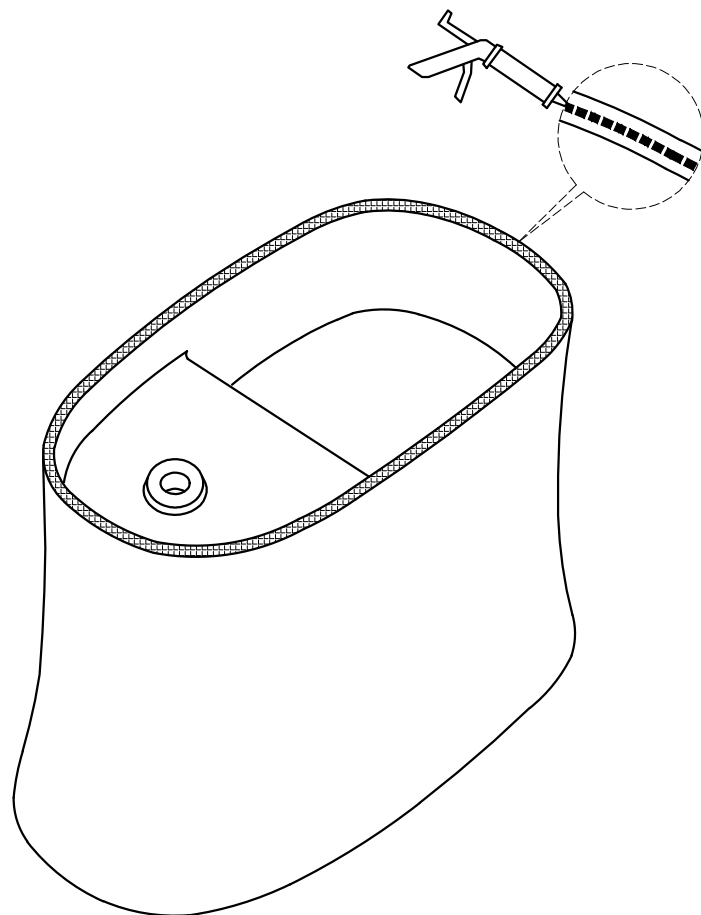
## Step 02



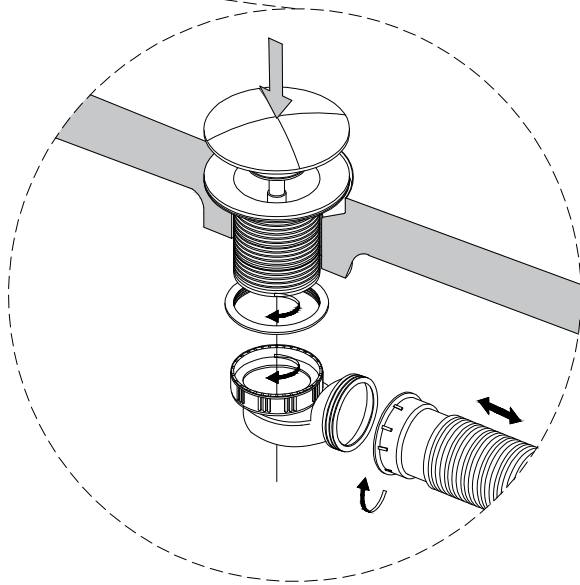
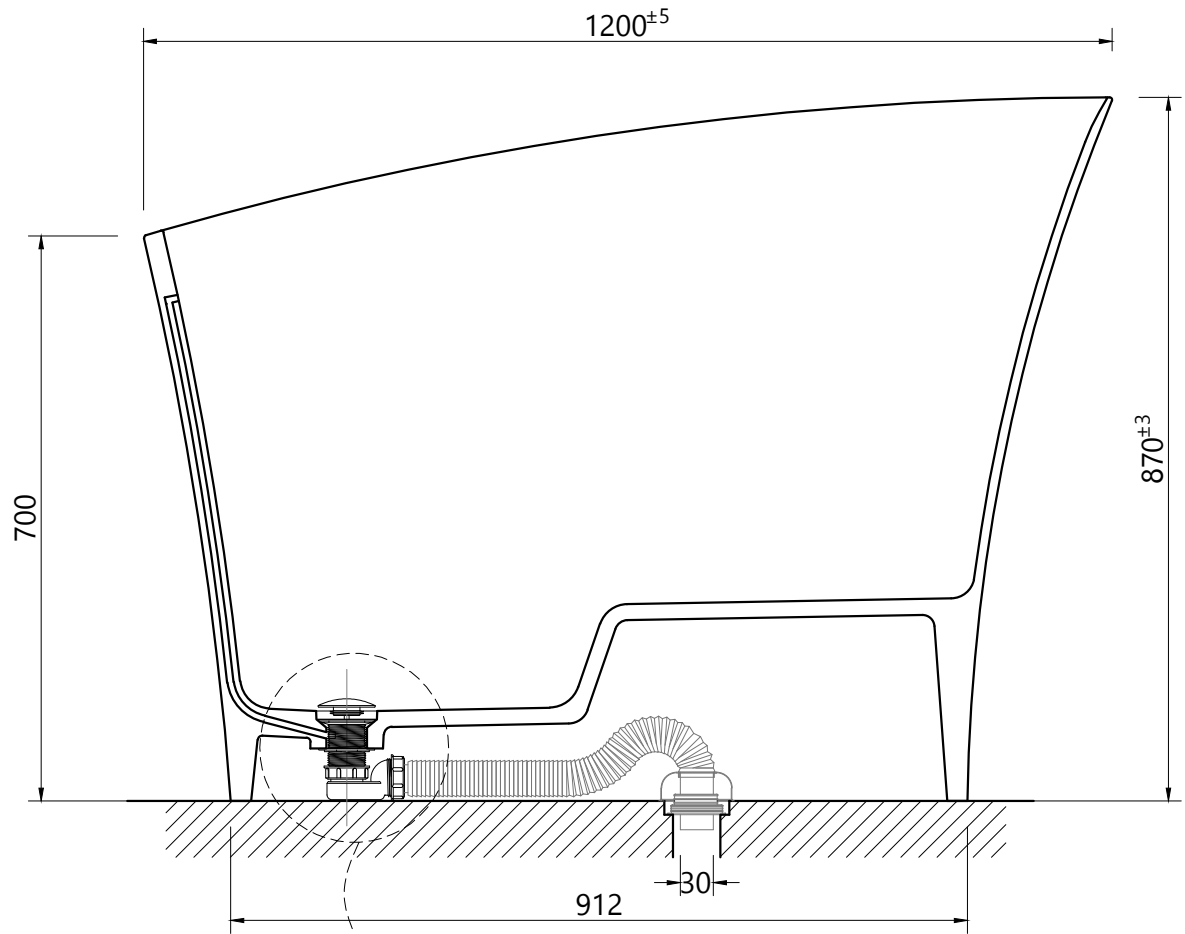
### Step 03



### Step 04



# Step 05



Step 06

