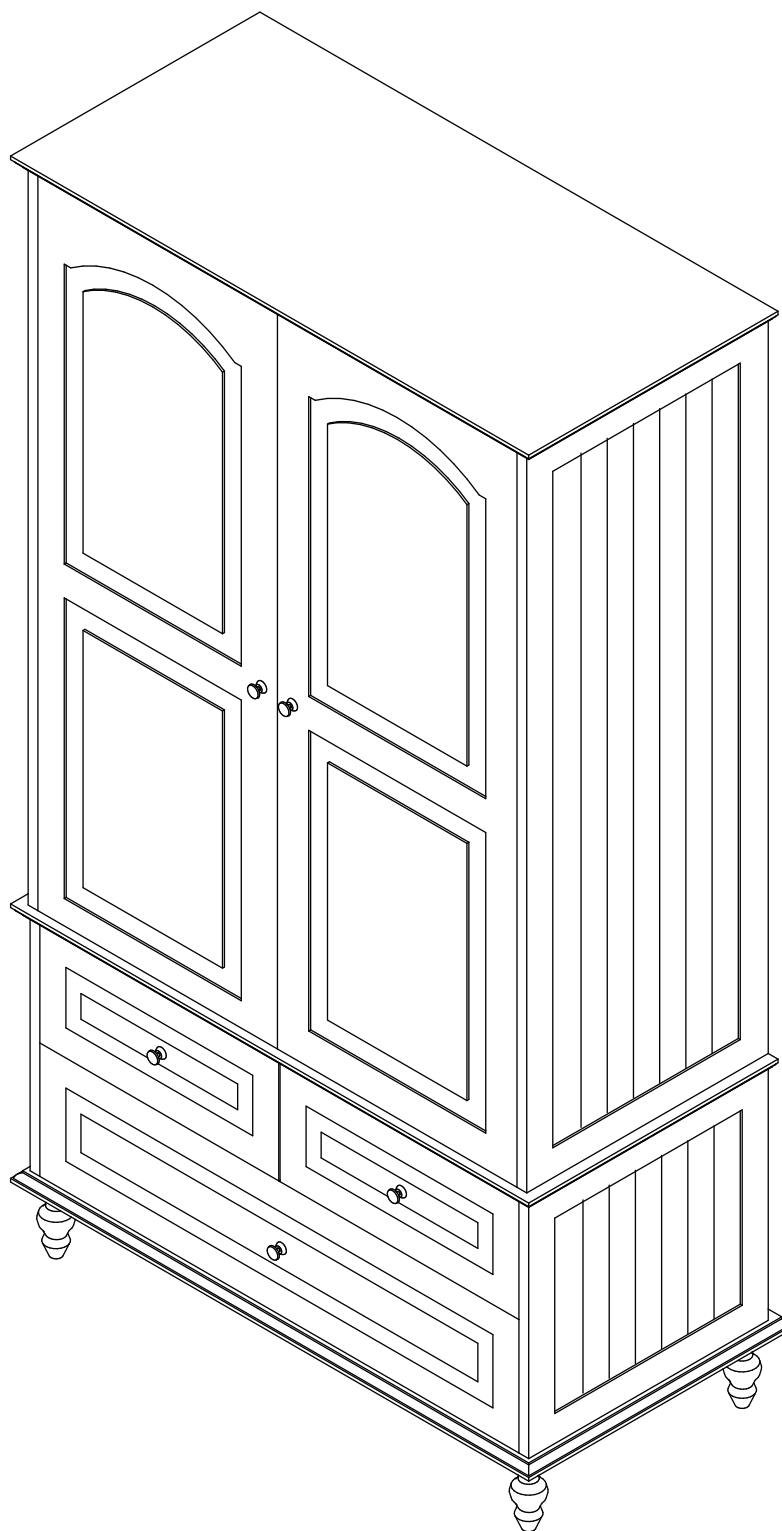
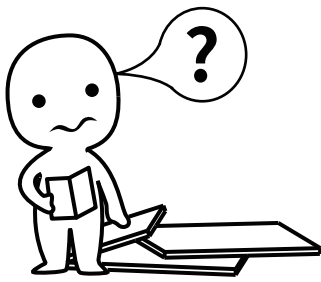


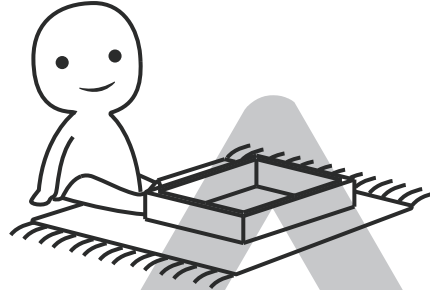
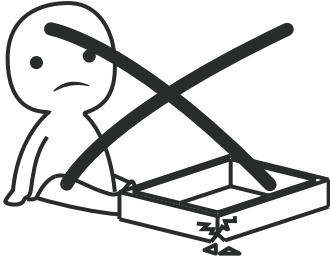
Sideboard





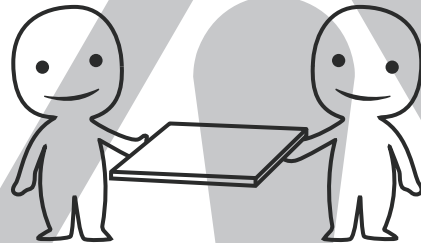
IMPORTANT INFORMATION!

please read the entire manual before starting to assemble and/or using this product. follow the manual thoroughly and keep it for further reference.



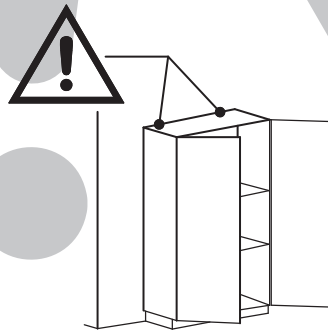
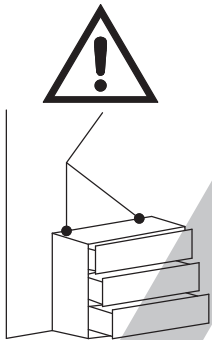
AVOID SCRATCHES!

In order to avoid scratching this furniture should be assembled on a soft layer- could be a rug.



IMPROVE EFFICIENCY !

Try to find a partner to install with you, which can speed up the installation efficiency and shorten the time.



ANTI-TOPPLE WARNING !

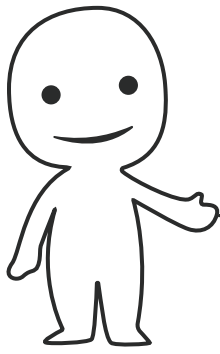
Overturned furniture can cause serious or fatal crush injuries. To prevent tipping over, be sure to use the wall attachment, if not included with this product. Please purchase the wall attachment that fit your wall. If unsure, seek professional advice. Please read and follow each step of the instructions carefully.

IMPORTANT !

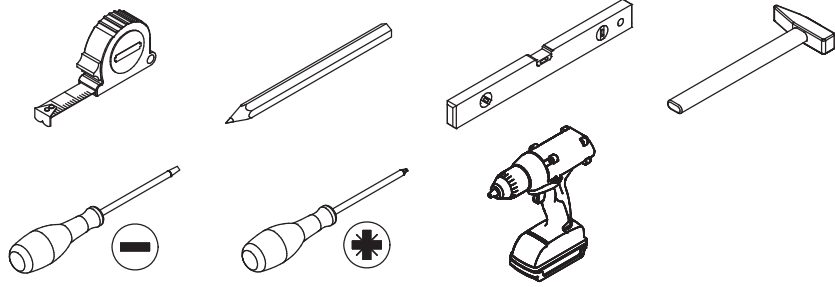
It is important that any product which is assembled using any kind of screw is re-tightened 2 weeks after assembly, and once every 3 months - in order to assure stability through-out the lifespan of the product.

For regular maintenance and cleaning of the product, for the frame, please use a rag dipped in neutral detergent to fully wipe it, and then dry it with a clean rag. For glass materials, wipe with a rag dampened with water glass cleaner, and then dry with a dry rag.

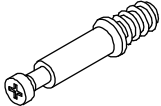


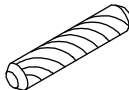
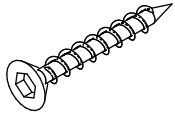
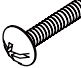
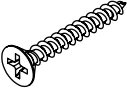
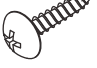

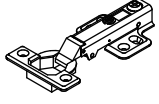

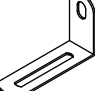




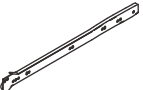
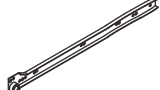
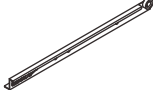
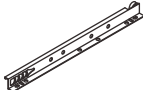
Do not use an electric screwdriver, and do not use too much force when installing, because the board is easy to break.

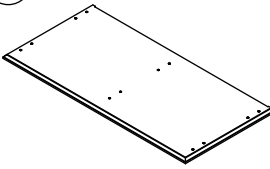
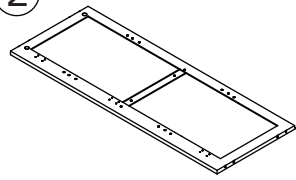
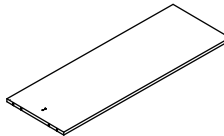
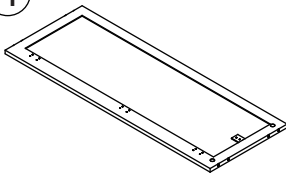
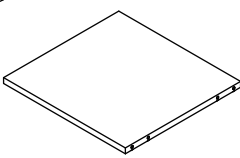
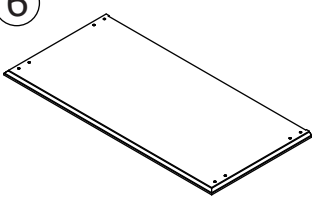
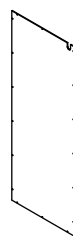
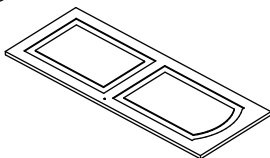
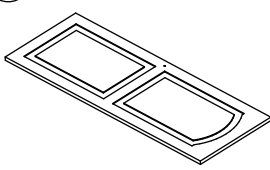
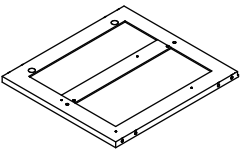
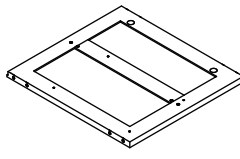
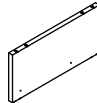
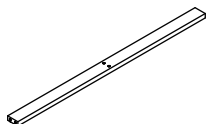
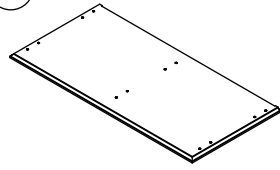
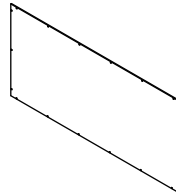
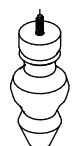
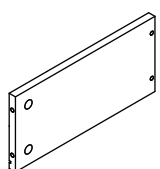
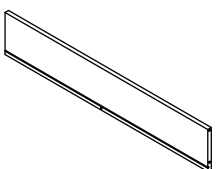
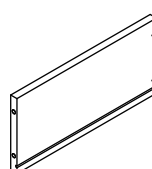
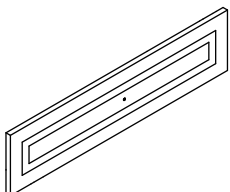
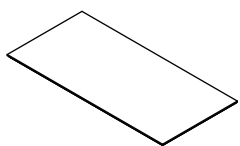
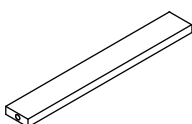
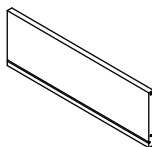
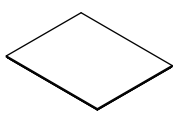
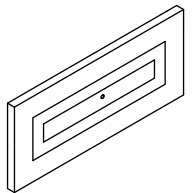
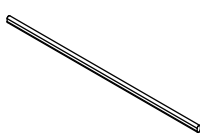
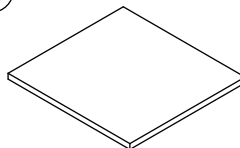
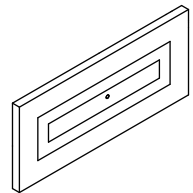


Please prepare the following tools

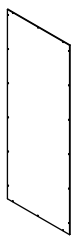


When installing, please carefully confirm whether each screw corresponds to the manual, accessories with similar shapes can be distinguished by size

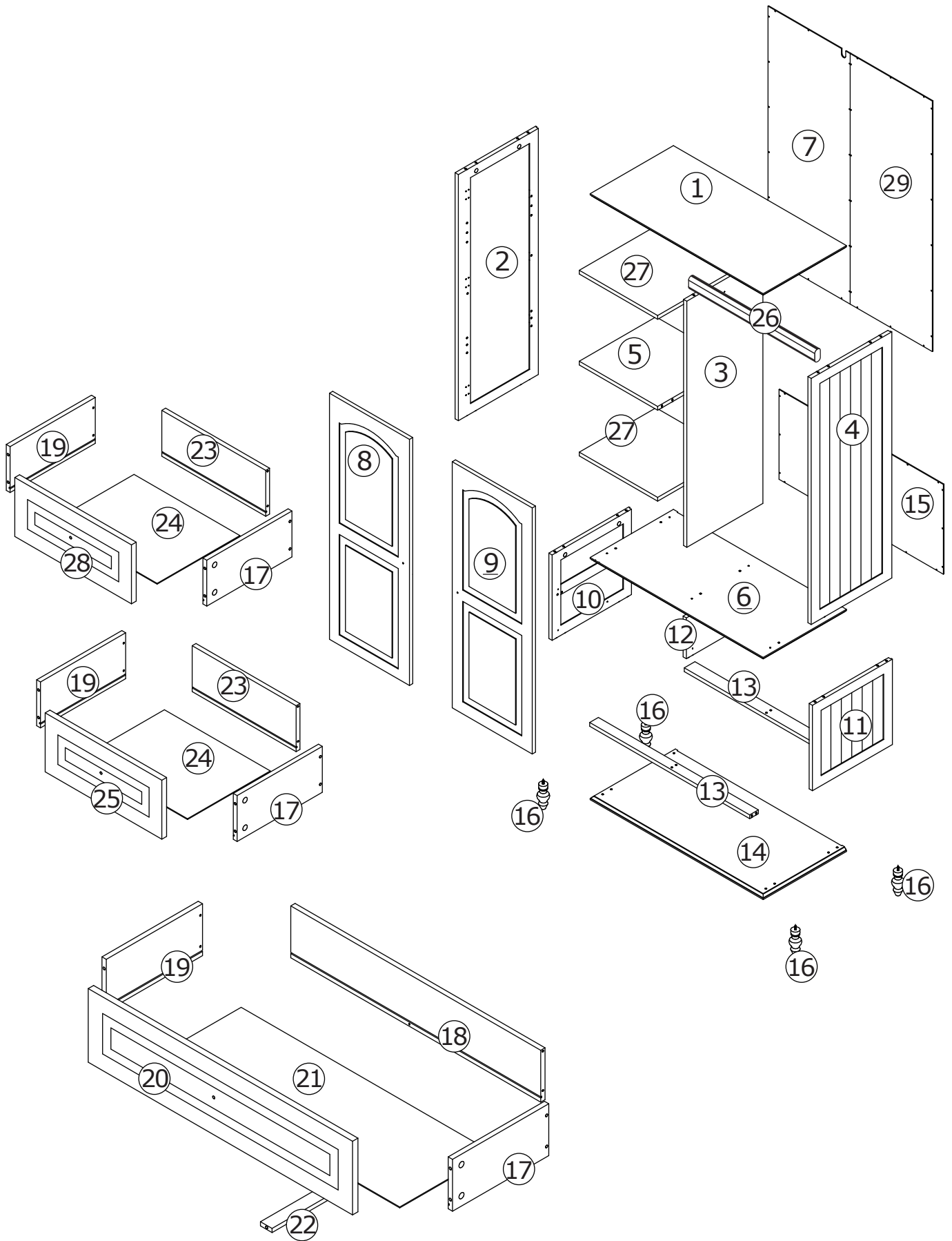
<p>A x 33+1</p>  <p>Ø6 x 35mm</p>	<p>B x 33+1</p>  <p>Ø15 x 10mm</p>	<p>C x 64+2</p>  <p>Ø3 x 10mm</p>	<p>D x 32+1</p>  <p>Ø6 x 30mm</p>	<p>E x 12</p>  <p>Ø5 x 40mm</p>
<p>F x 5</p>  <p>Ø4 x 14mm</p>	<p>G x 15</p>  <p>Ø4 x 35mm</p>	<p>H x 1</p>  <p>Ø3 x 14mm</p>	<p>J x 1</p> 	<p>K x 6</p> 
<p>L x 1</p> 	<p>M x 1</p> 	<p>T x 5</p> 	<p>Q x 2</p> 	<p>N x 43+2</p> 
<p>P x 8</p> 	<p>CL x 3</p> 	<p>CR x 3</p> 	<p>DL x 3</p> 	<p>DR x 3</p> 

<p>①</p>  <p>1PC</p>	<p>②</p>  <p>1PC</p>	<p>③</p>  <p>1PC</p>	<p>④</p>  <p>1PC</p>
<p>⑤</p>  <p>1PC</p>	<p>⑥</p>  <p>1PC</p>	<p>⑦</p>  <p>1PC</p>	<p>⑧</p>  <p>1PC</p>
<p>⑨</p>  <p>1PC</p>	<p>⑩</p>  <p>1PC</p>	<p>⑪</p>  <p>1PC</p>	<p>⑫</p>  <p>1PC</p>
<p>⑬</p>  <p>2PCS</p>	<p>⑭</p>  <p>1PC</p>	<p>⑮</p>  <p>1PC</p>	<p>⑯</p>  <p>4PCS</p>
<p>⑰</p>  <p>3PCS</p>	<p>⑱</p>  <p>1PC</p>	<p>⑲</p>  <p>3PCS</p>	<p>⑳</p>  <p>1PC</p>
<p>㉑</p>  <p>1PC</p>	<p>㉒</p>  <p>1PC</p>	<p>㉓</p>  <p>2PCS</p>	<p>㉔</p>  <p>2PCS</p>
<p>㉕</p>  <p>2PCS</p>	<p>㉖</p>  <p>1PC</p>	<p>㉗</p>  <p>2PCS</p>	<p>㉘</p>  <p>1PC</p>

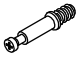


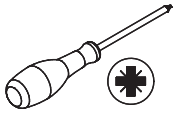
29

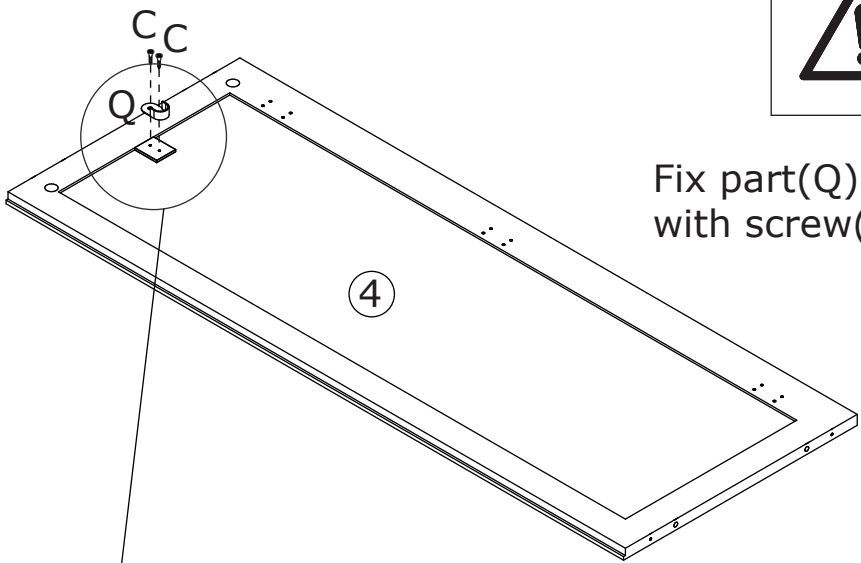
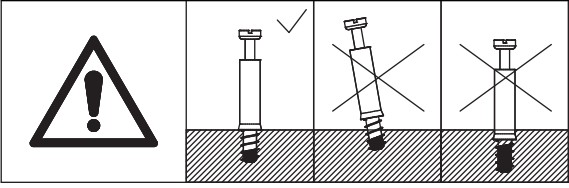


1PC

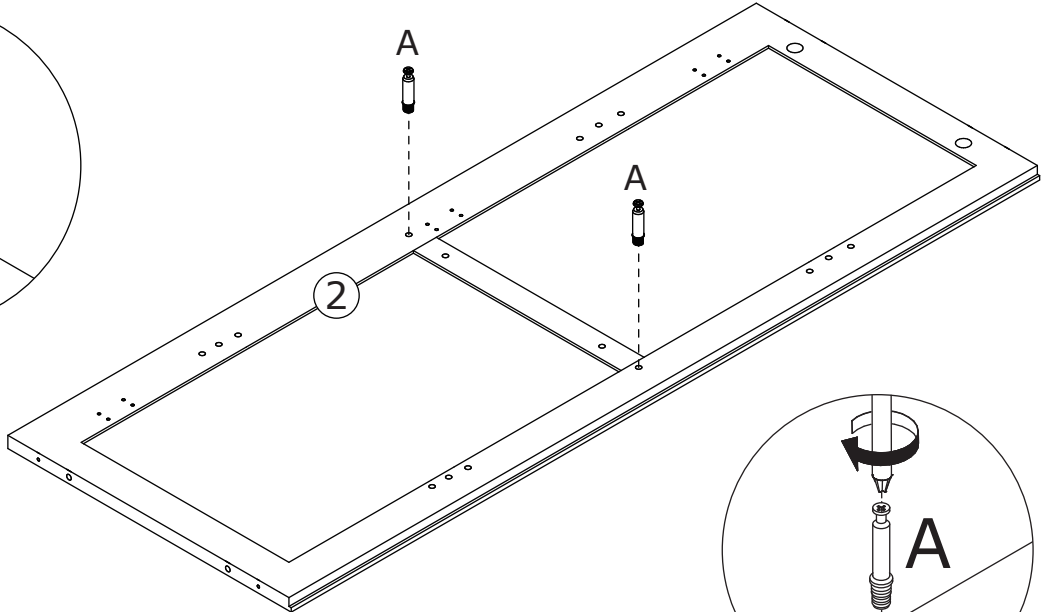
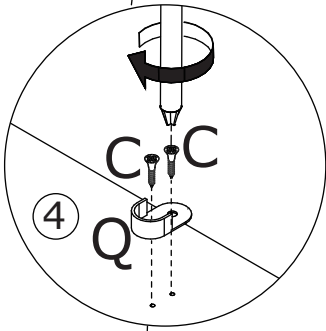


1

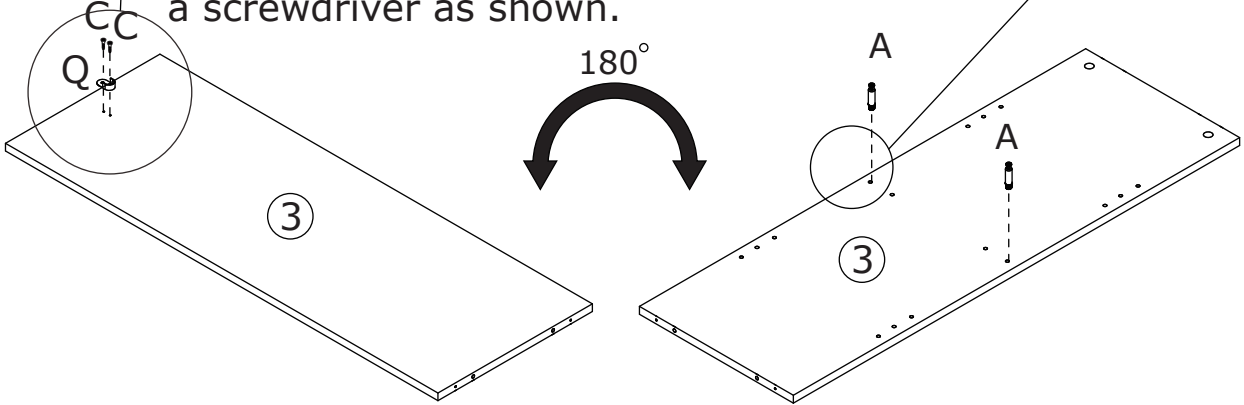
A x 4  Ø6 x 35mm	Q x 2 	C x 4  Ø3 x 10mm	
---	--	---	---



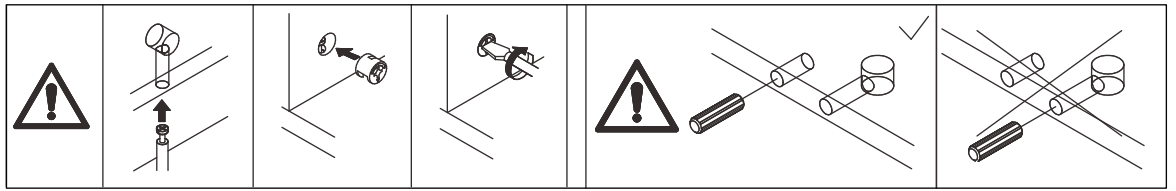
Fix part(Q) to plate 4 and 3 with screw(C) as shown.



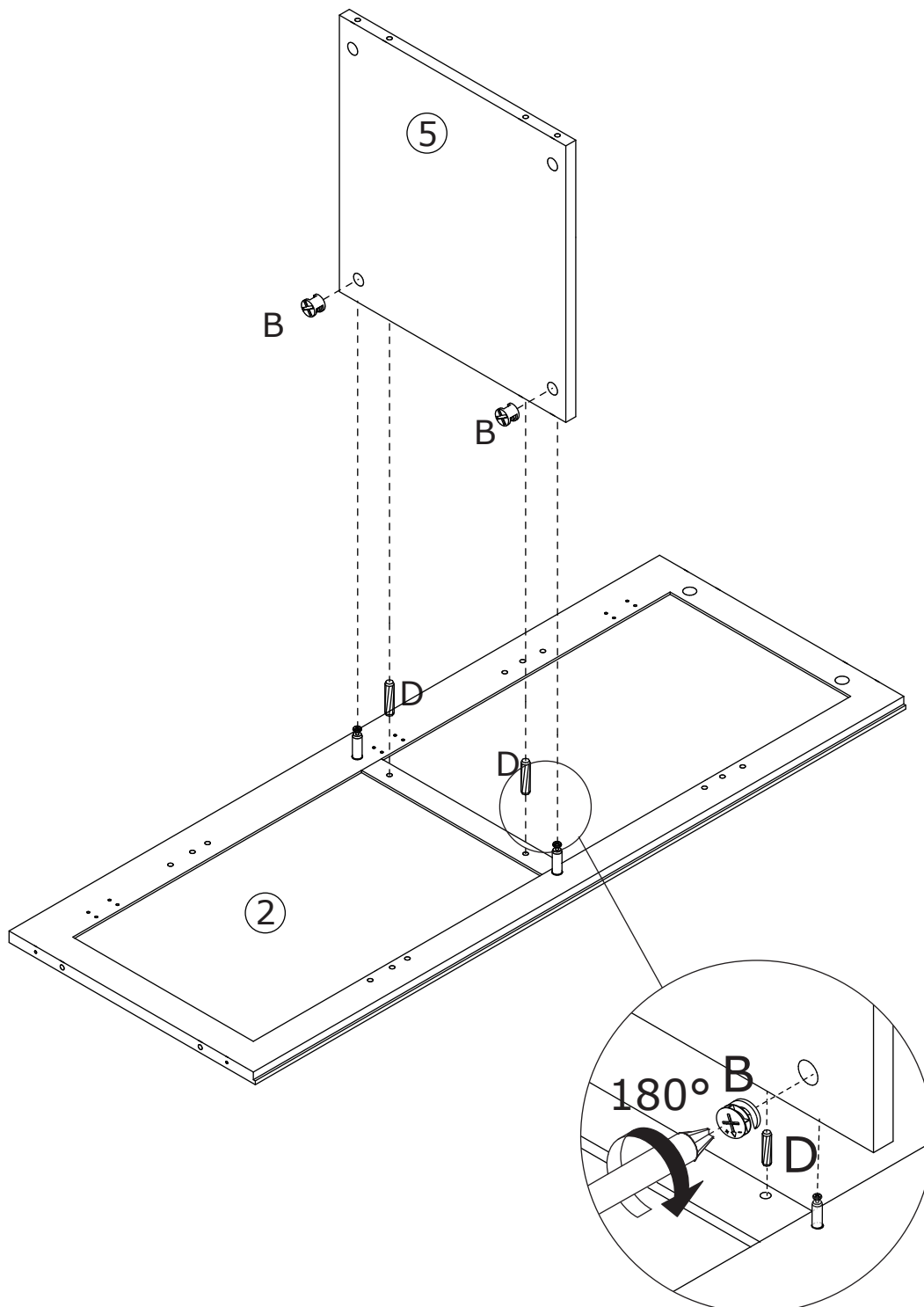
Insert quickfit screw(A) into corresponding holes in plate 2 and 3 with a screwdriver as shown.



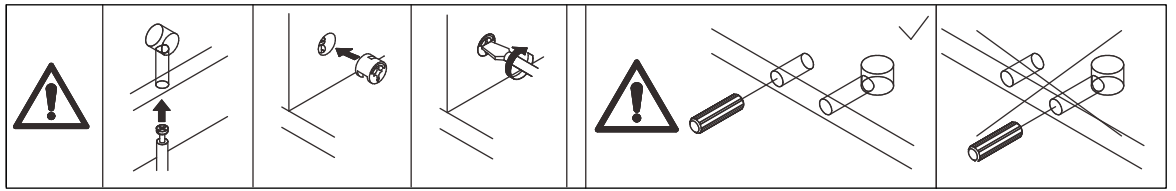
2



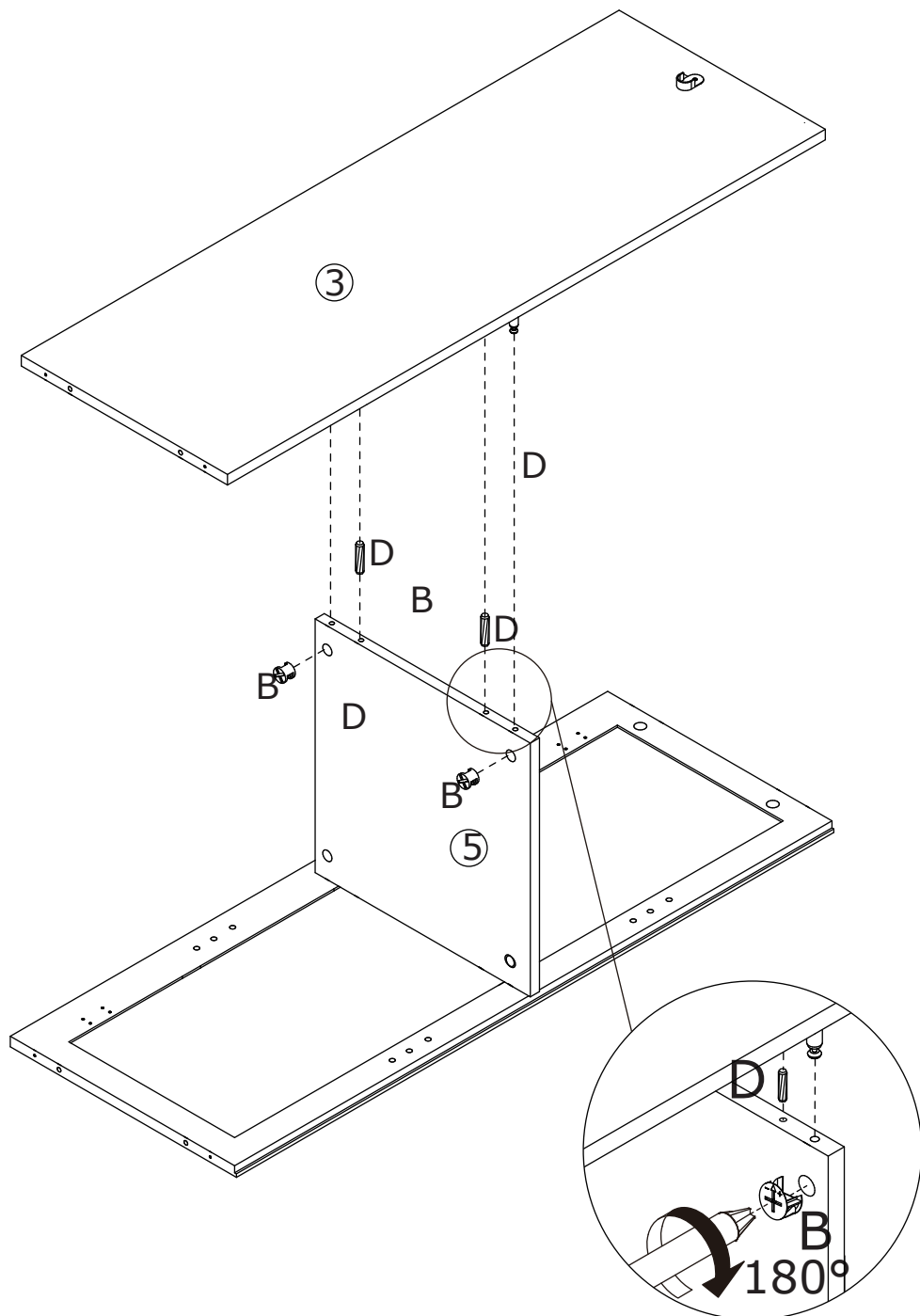
Attach plate 5 to plate 2 with wooden dowel(D) and turn cam locks(B) clockwise to tighten as shown.



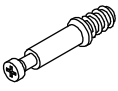
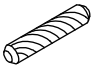



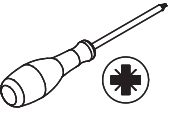
3

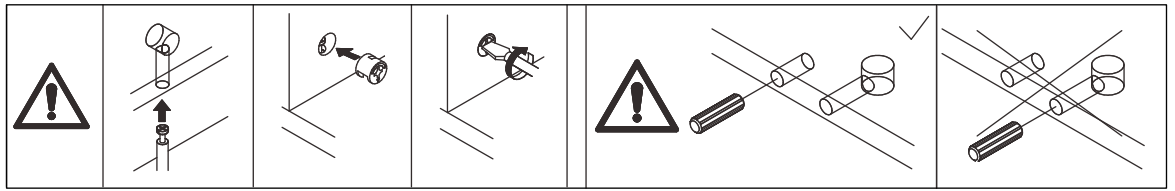


Attach plate 3 to plate 5 with wooden dowel(D) and turn cam locks(B) clockwise to tighten as shown.

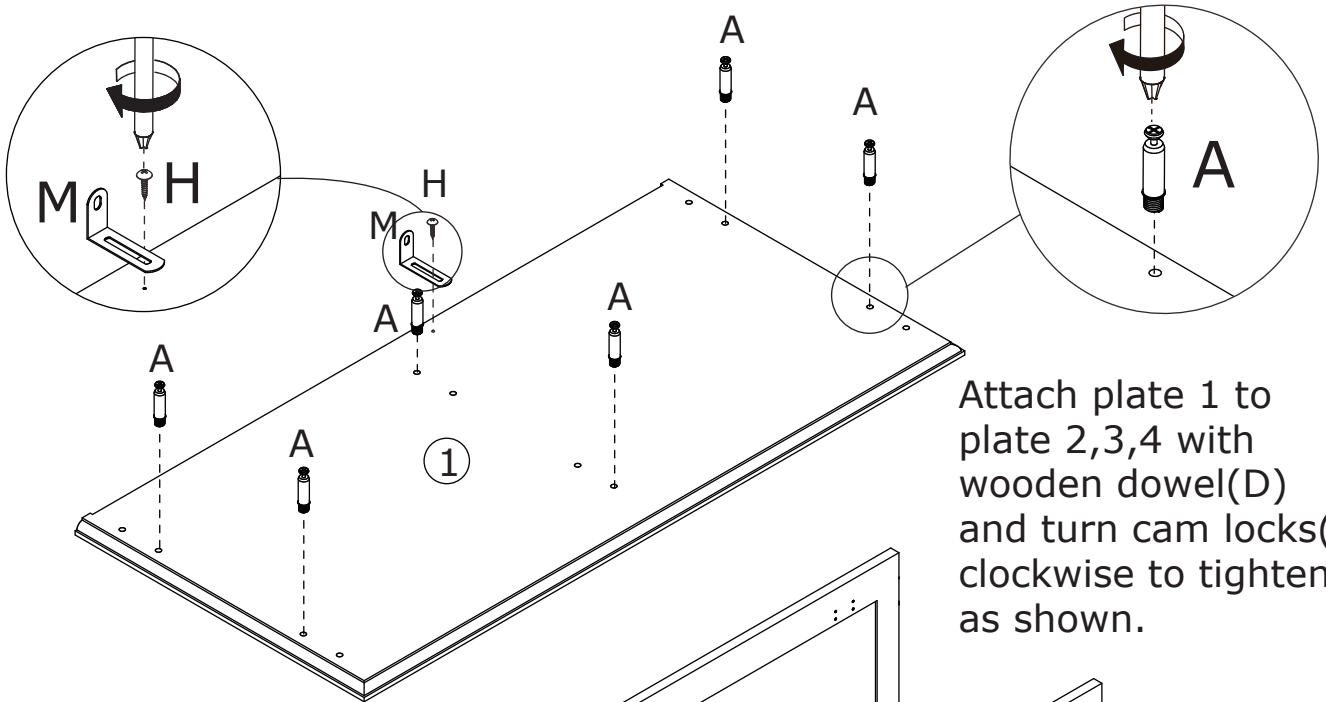


4

A x 6  Ø 6 x 35mm	D x 6 	B x 6  Ø 15 x 10mm	H x 1  Ø 3 x 16mm	M x 1 	
--	--	---	--	--	---

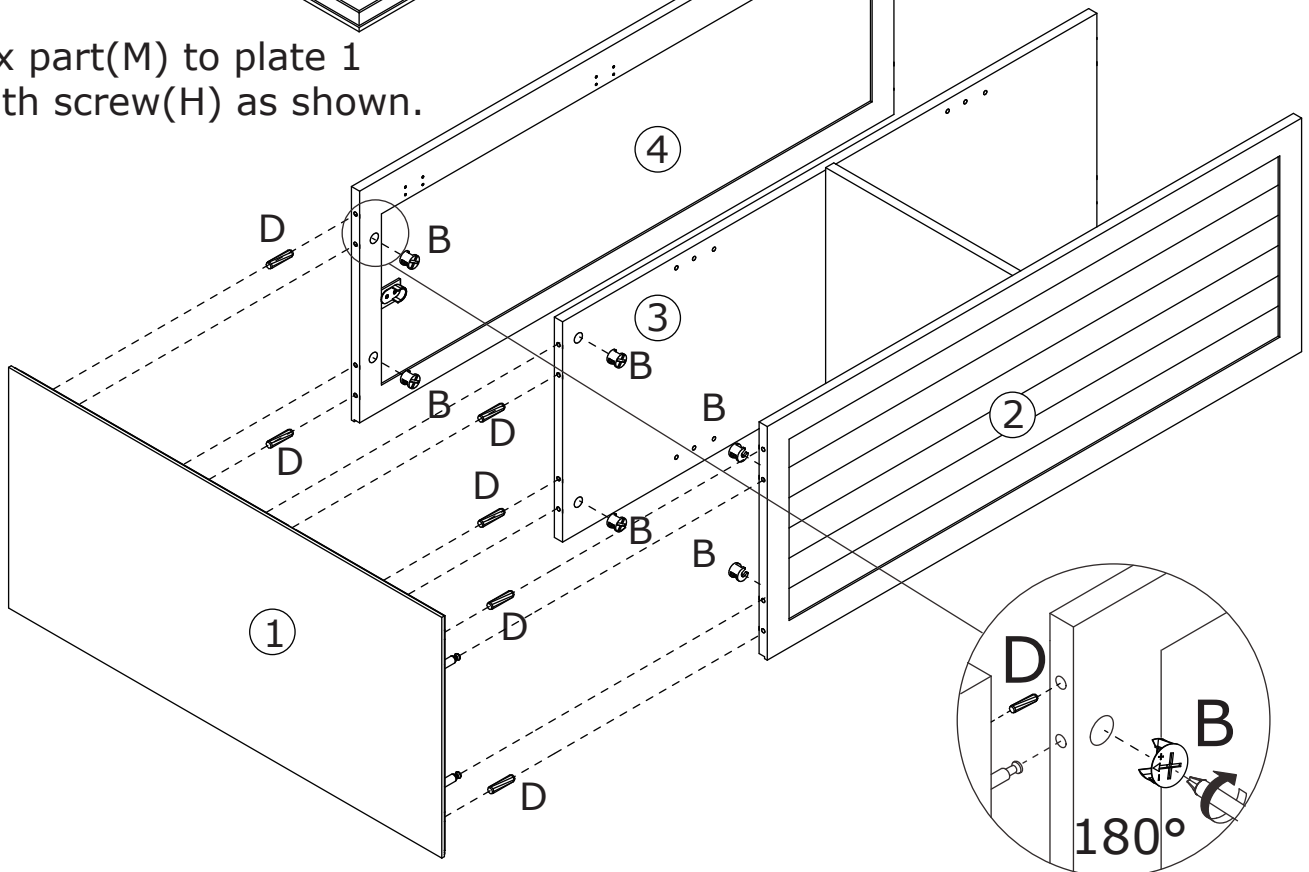


Insert quickfit screw(A) into corresponding holes in plate 1 with a screwdriver as shown.

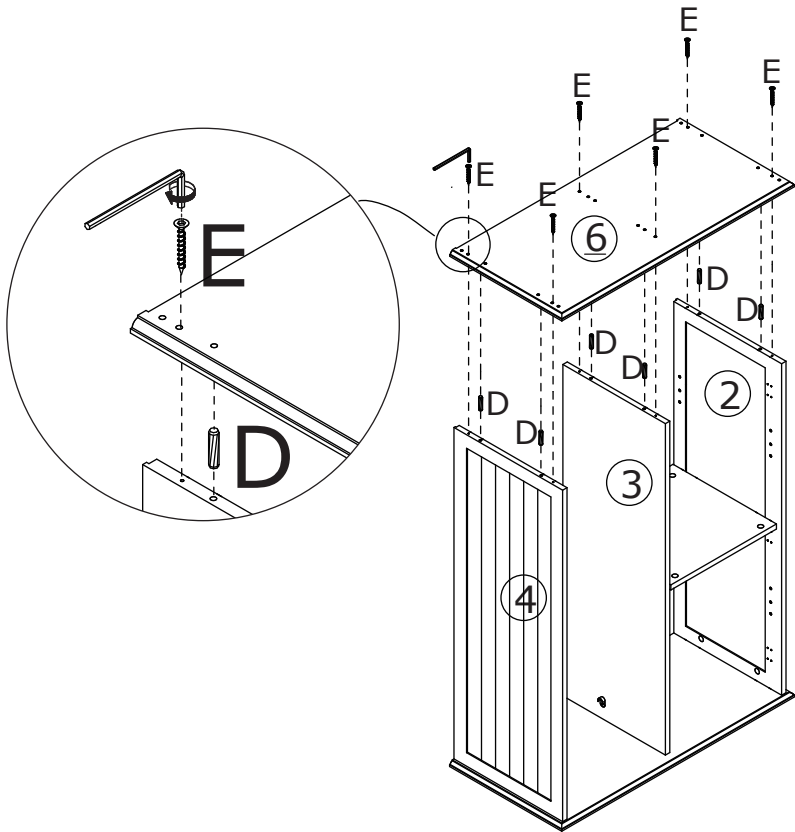
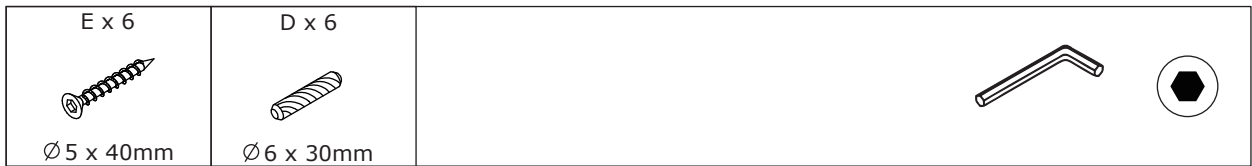


Attach plate 1 to plate 2,3,4 with wooden dowel(D) and turn cam locks(B) clockwise to tighten as shown.

Fix part(M) to plate 1 with screw(H) as shown.

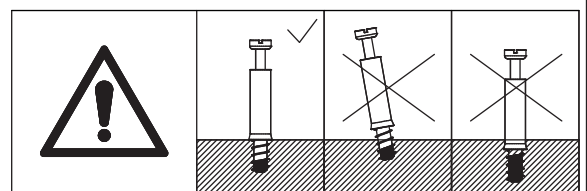
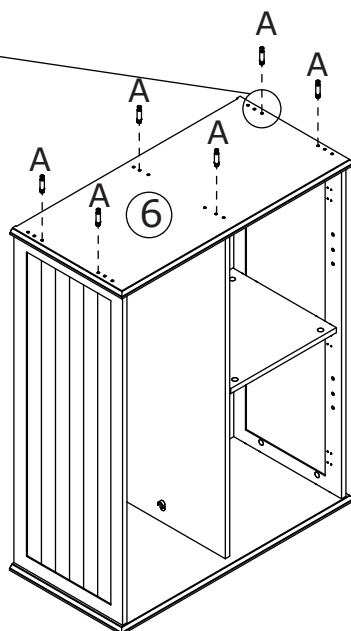
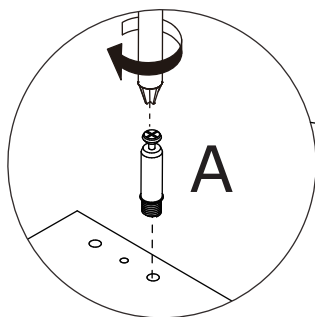


5



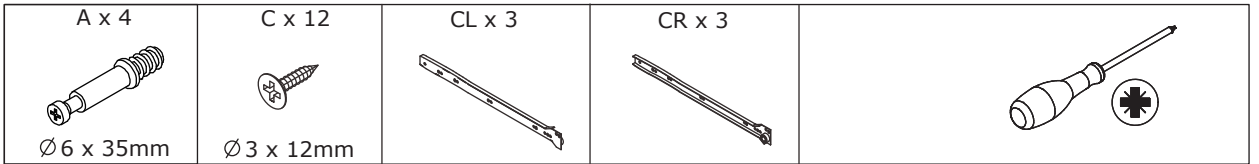
Cover plate 6 to plate 2,3,4 with wooden dowel(D) and then fix with screw(E) as shown.

6

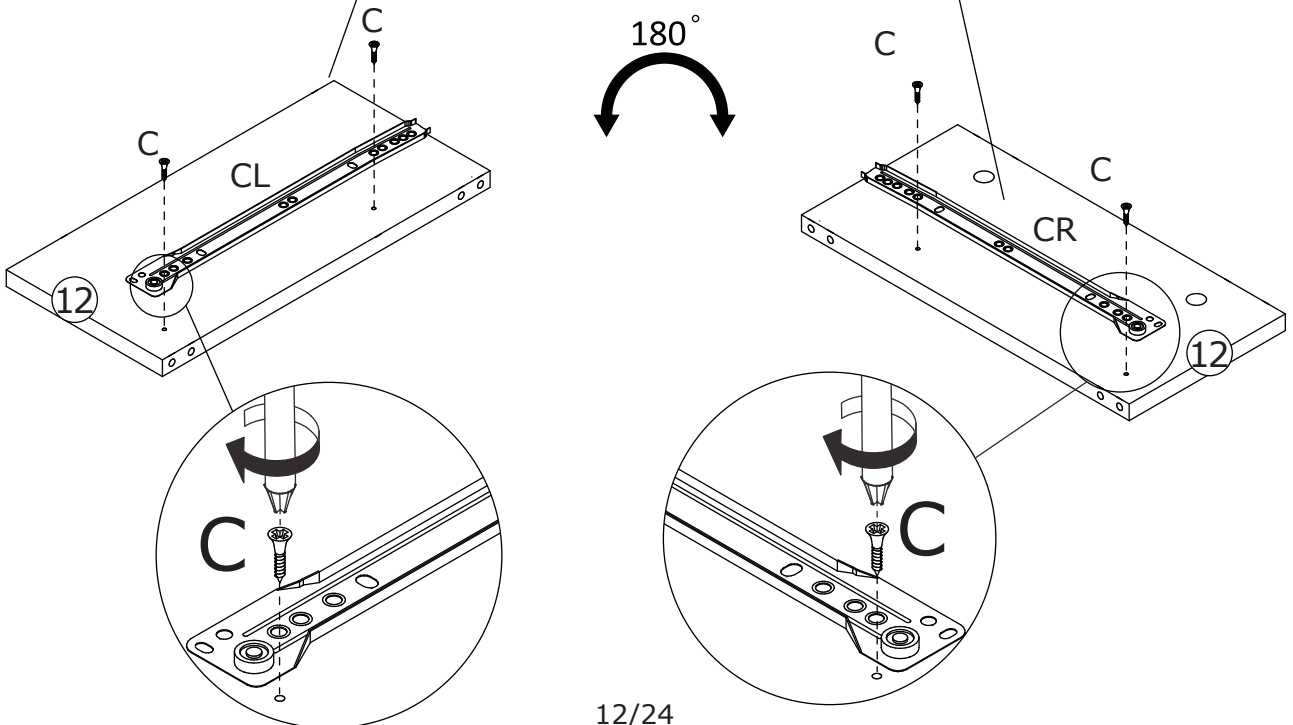
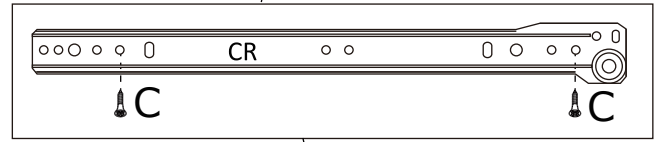
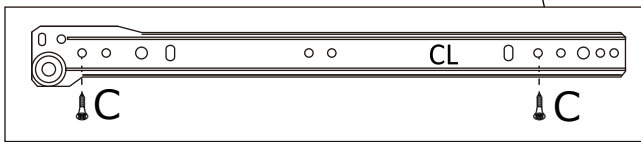
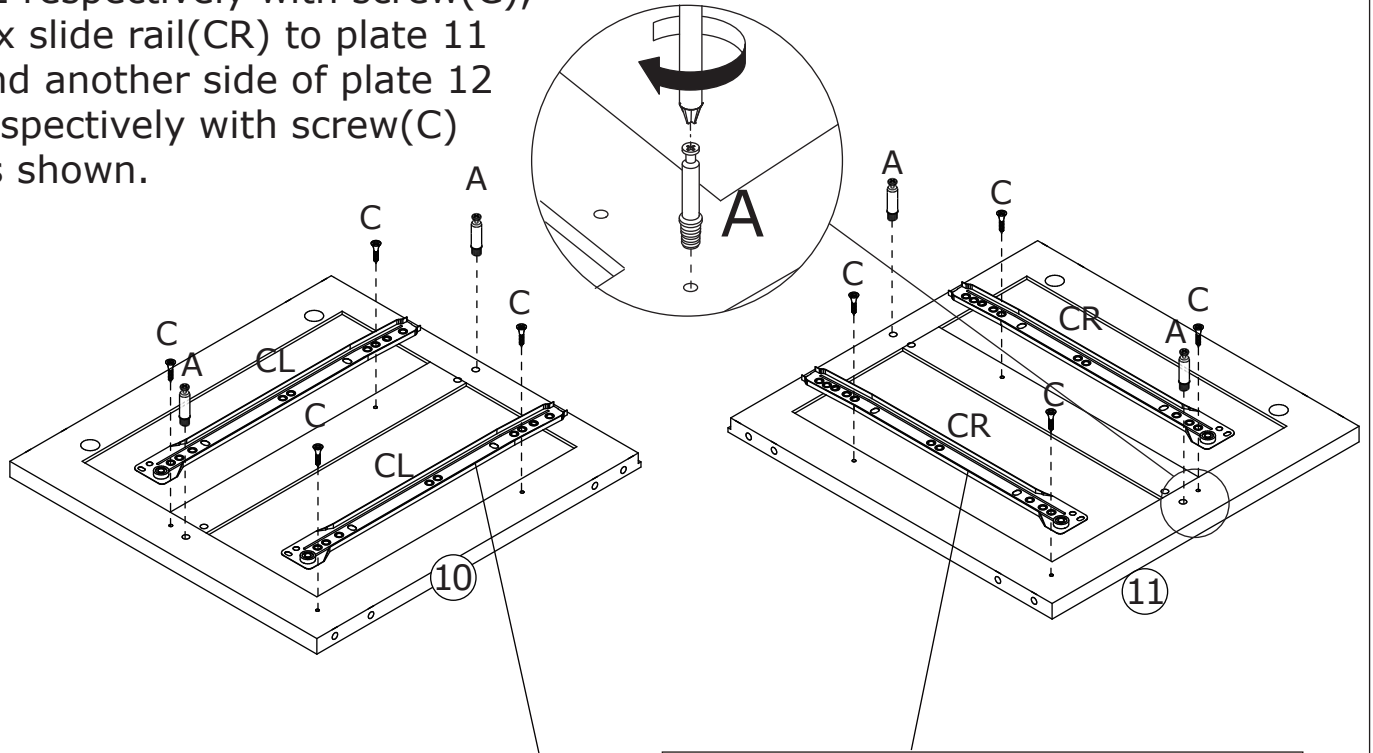
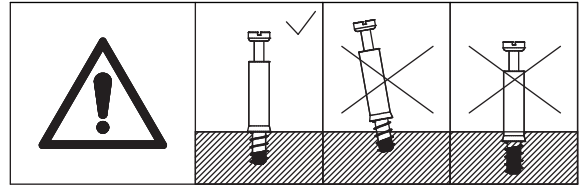


Insert quickfit screw(A) into corresponding holes in plate 6 with a screwdriver as shown.


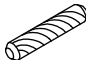



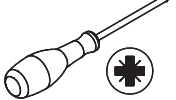
7



Please pay attention to the holes where the accessories are inserted.
Fix slide rail(CL) to plate 10 and 12 respectively with screw(C),
Fix slide rail(CR) to plate 11 and another side of plate 12 respectively with screw(C) as shown.

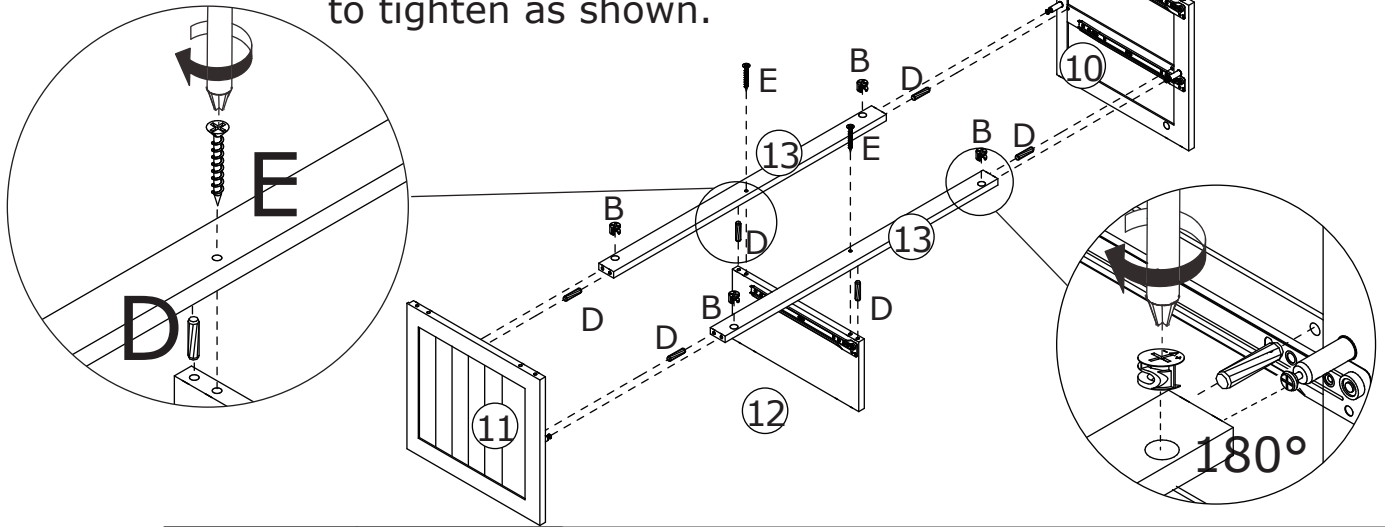
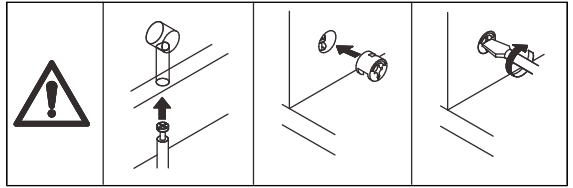


8



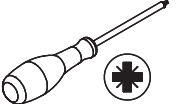
<p>E x 2</p>  <p>Ø 5 x 40mm</p>	<p>D x 6</p>  <p>Ø 6 x 30mm</p>	<p>B x 4</p>  <p>Ø 15 x 10mm</p>	  
--	--	---	--

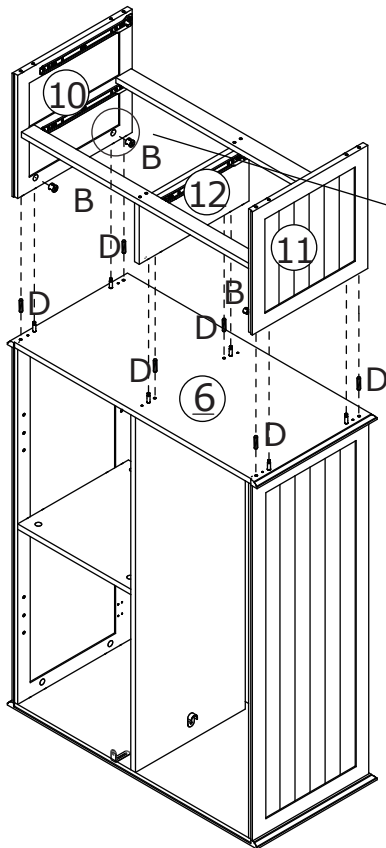
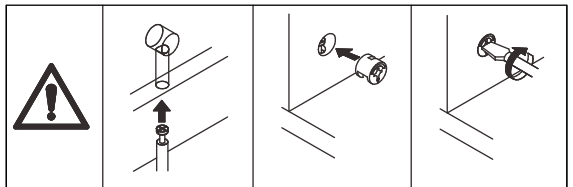
Attach two plate 13 to plate 12 with wooden dowel(D) and then fix with screw(E) as shown.

Connect plate 10 and 11 to plate 13 with wooden dowel(D) and turn cam locks(B) clockwise to tighten as shown.



9

<p>B x 6</p>  <p>Ø 15 x 10mm</p>	<p>D x 6</p>  <p>Ø 6 x 30mm</p>	
---	--	---

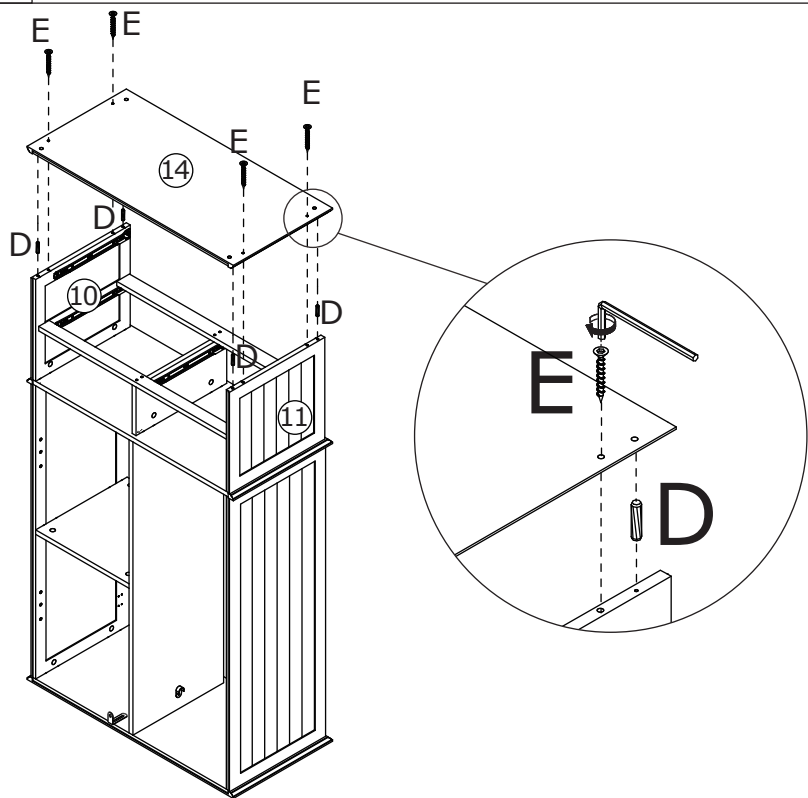


Attach plate 10,12,11 to plate 6 with wooden dowel(D) and turn cam locks(B) clockwise to tighten as shown.

10



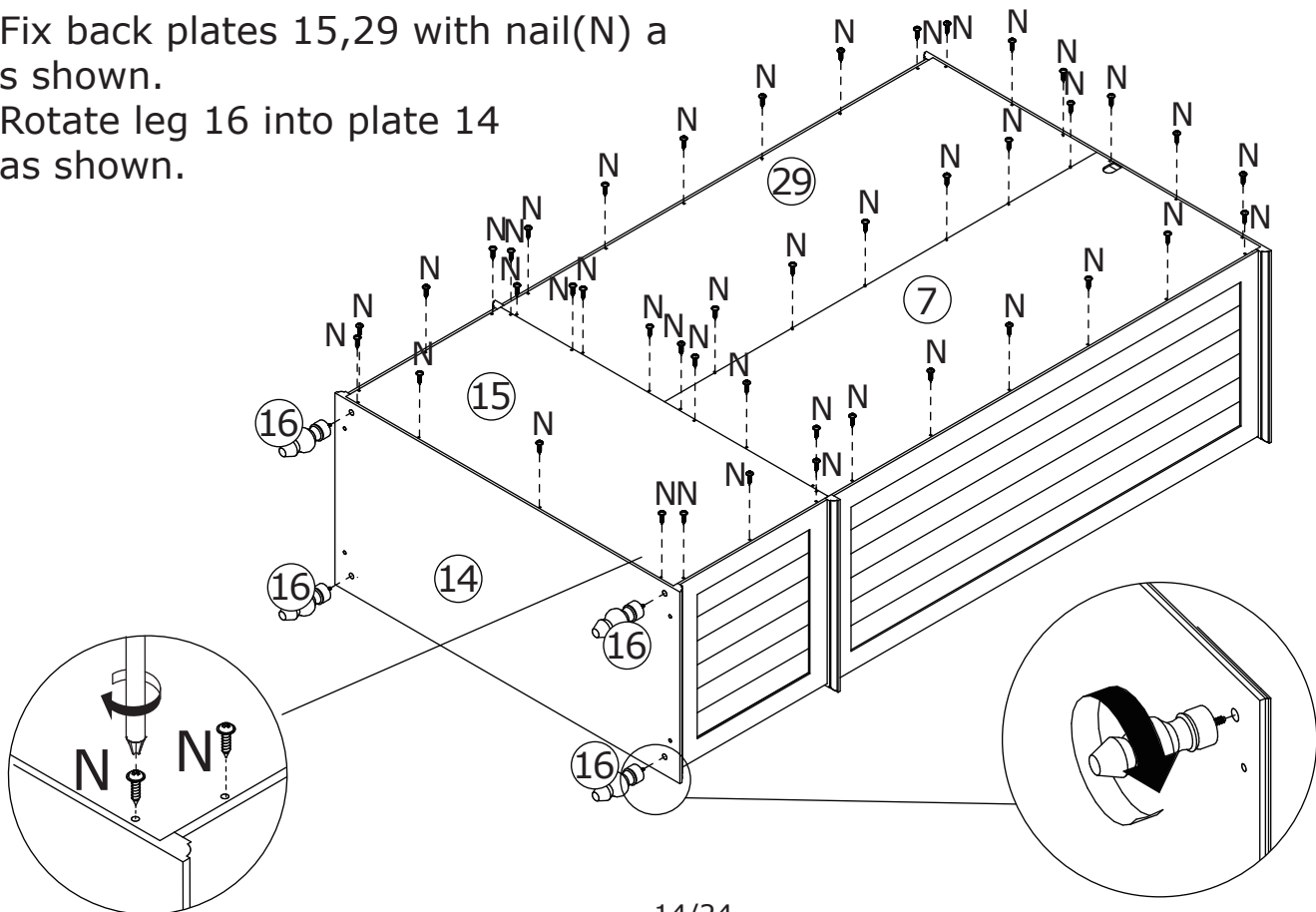
Cover plate 14 to the component with wooden dowel(D), then fix with screw(E) as shown.



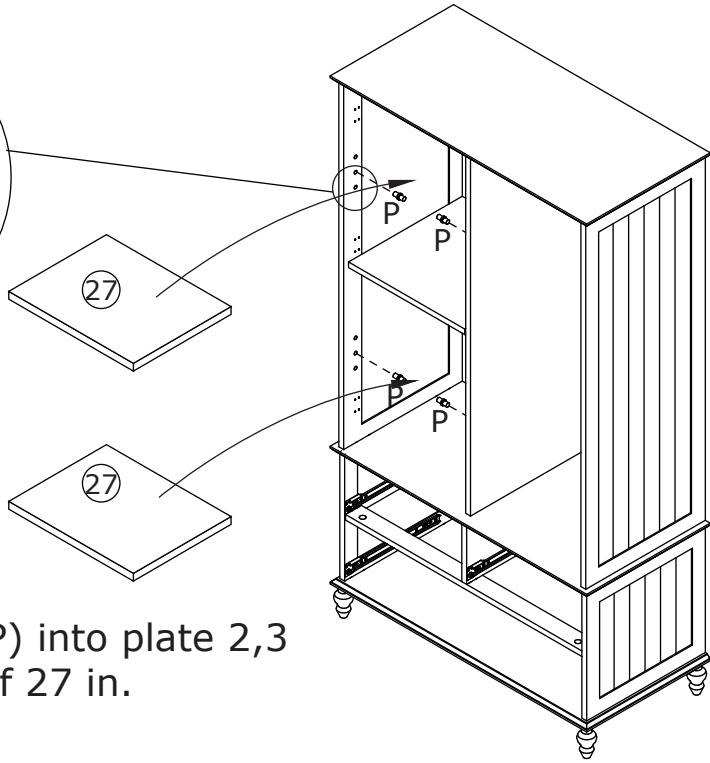
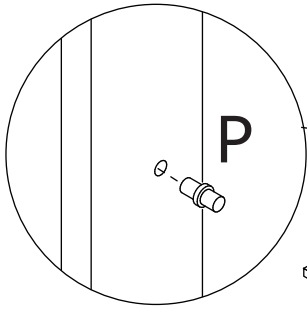
11



Fix back plates 15,29 with nail(N) as shown.
Rotate leg 16 into plate 14 as shown.



12

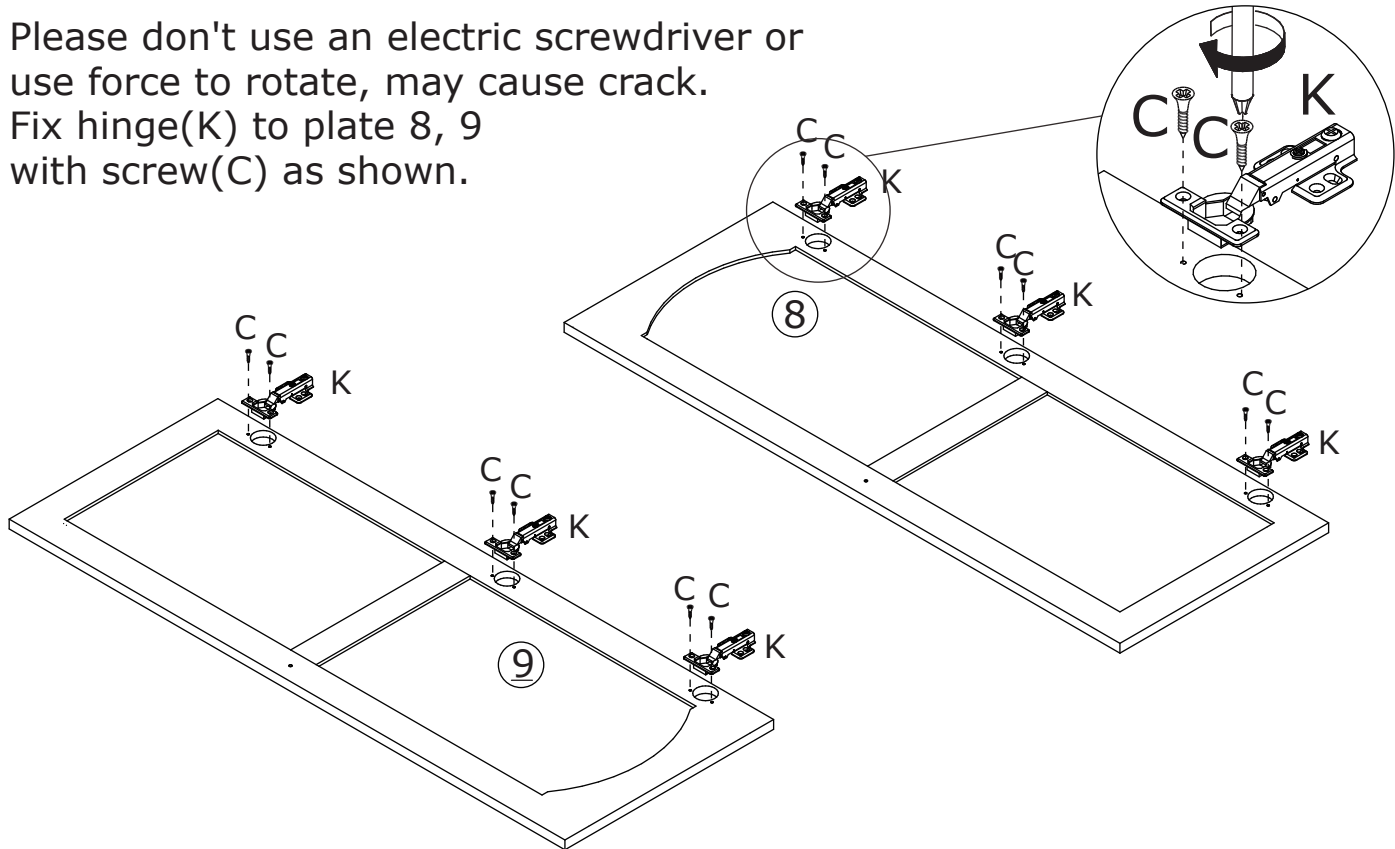


Insert part(P) into plate 2,3
and put shelf 27 in.




13



Please don't use an electric screwdriver or
use force to rotate, may cause crack.
Fix hinge(K) to plate 8, 9
with screw(C) as shown.

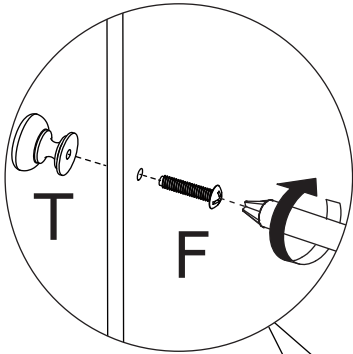


14

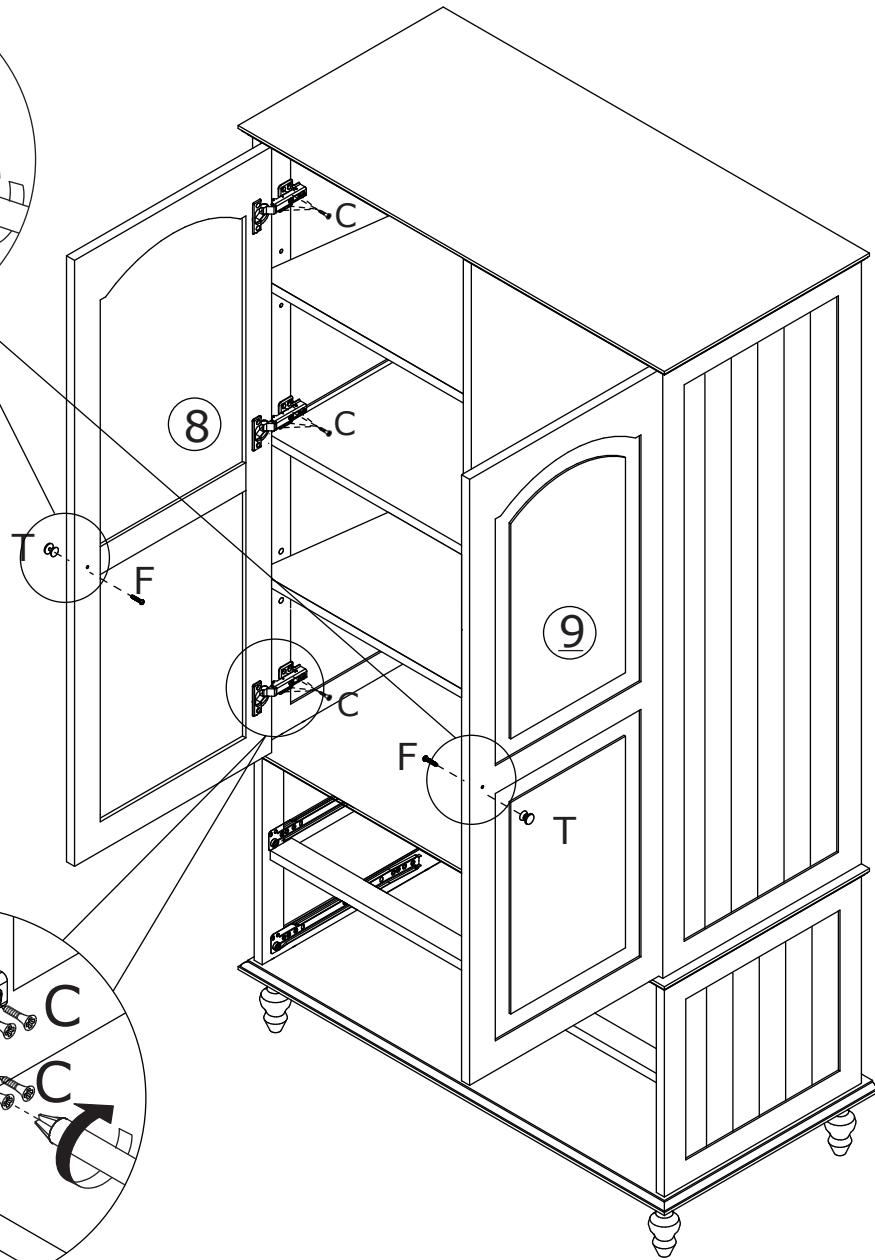
C x 24  Ø3 x 10mm	F x 2  Ø4 x 14mm	T x 2 	
--	---	--	---

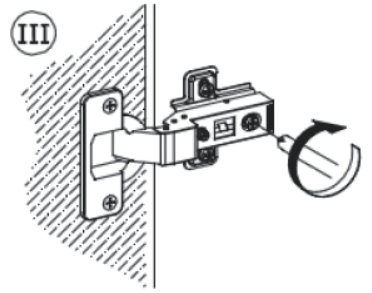
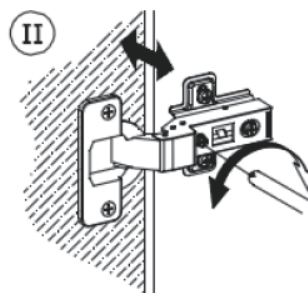
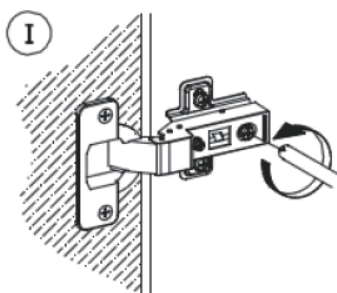
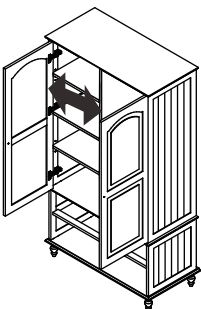
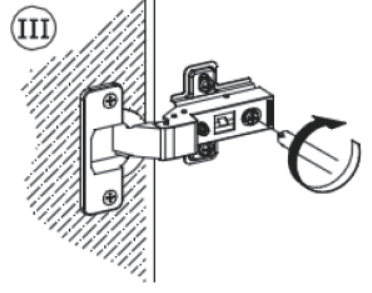
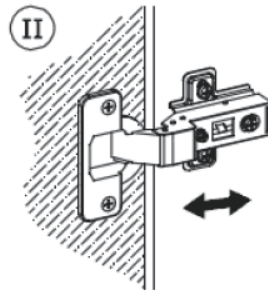
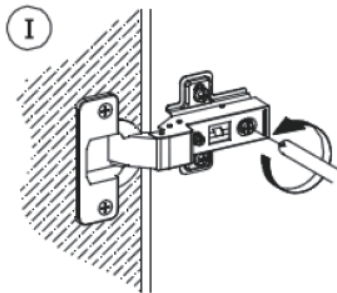
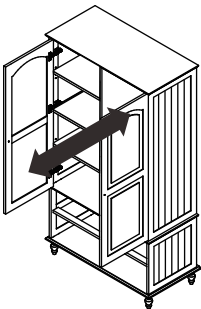
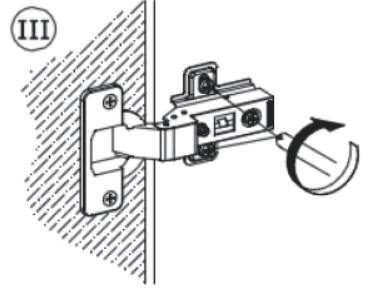
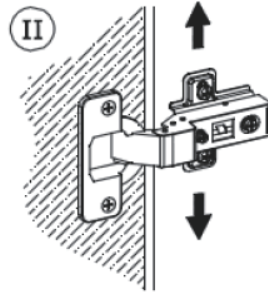
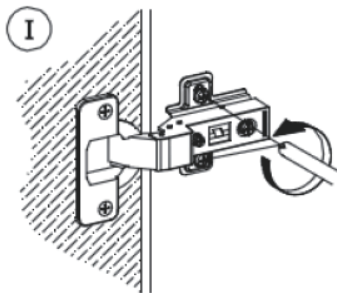
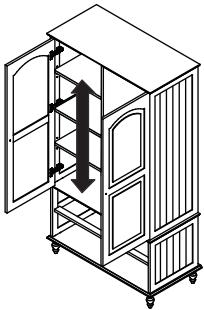
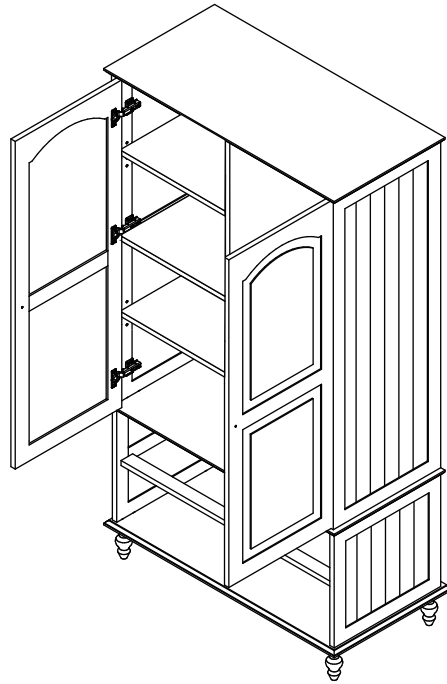
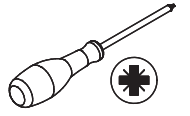
Please don't use an electric screwdriver or use force to rotate, may cause crack.

Attach plate 8 to plate 2; plate 9 to plate 4 by fixing hinge with screw C) as shown.

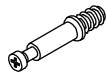



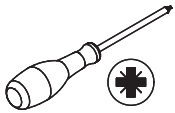


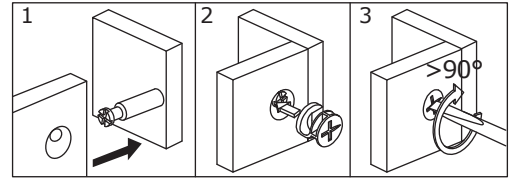
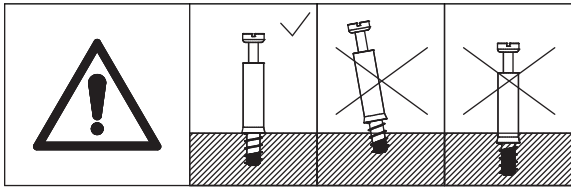
Fix knob(T)
with screw(F).



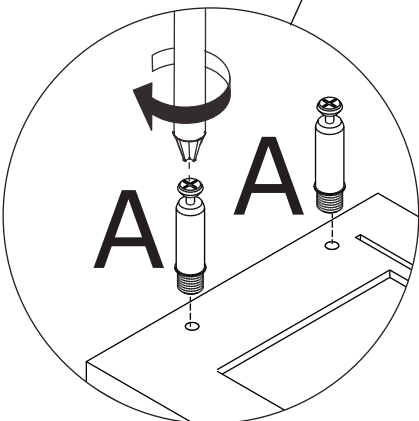
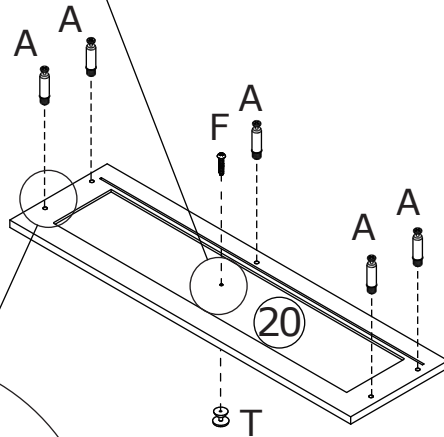
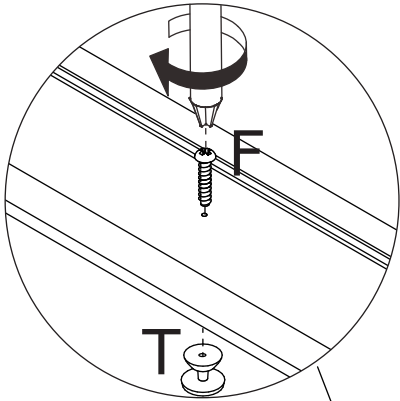
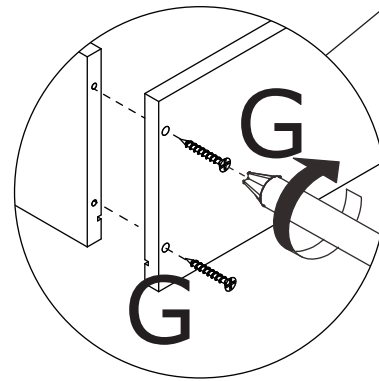
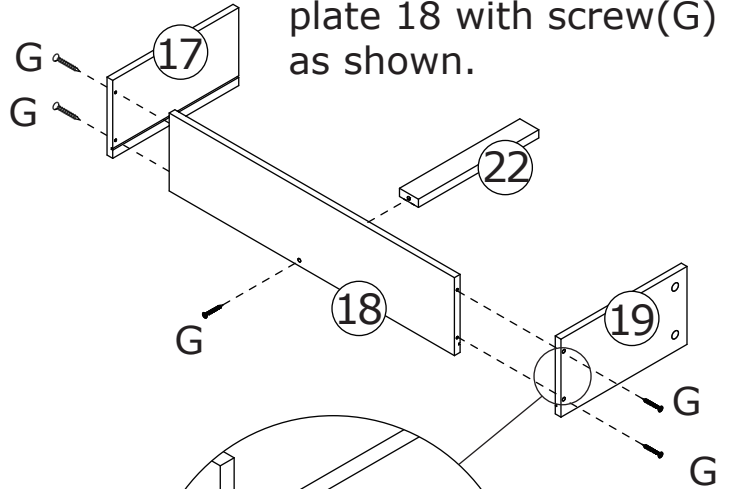


16

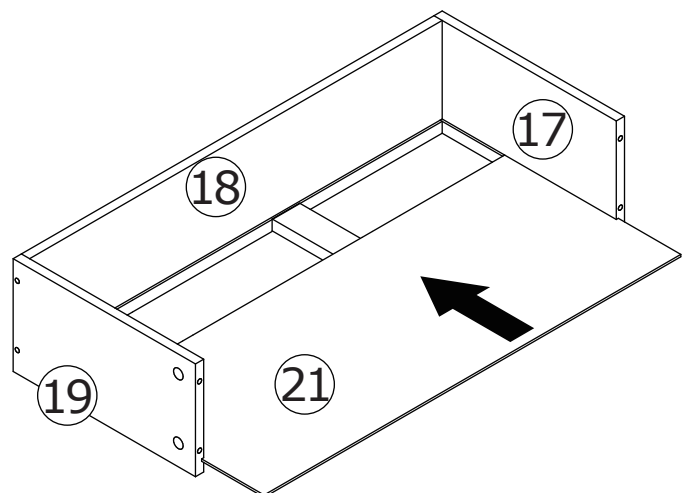
A x 5  Ø6 x 30mm	G x 5  Ø4 x 30mm	T x 1 	F x 1  Ø4 x 14mm	
---	---	--	---	---





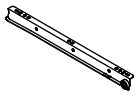
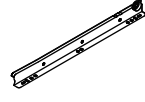
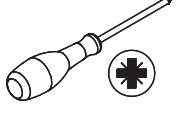
Attach plate 17,19,22 to plate 18 with screw(G) as shown.

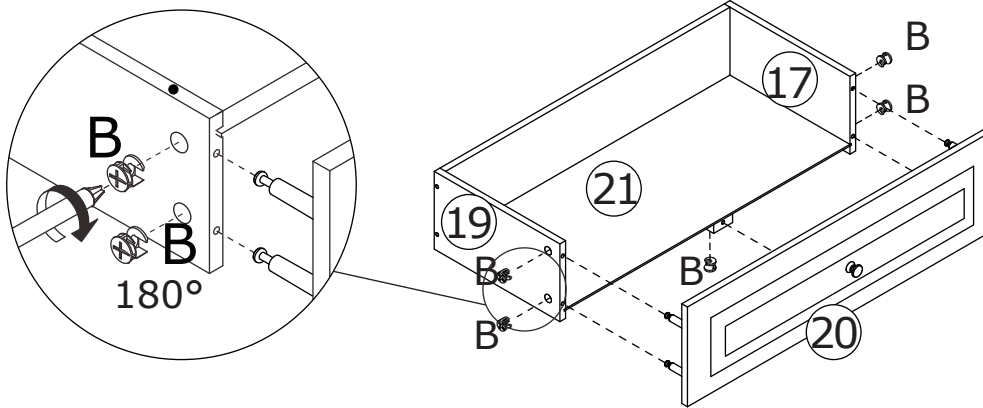


Insert quickfit screw(A) into plate 20 with a screwdriver as shown.
Fix knob(T) with screw(F).
Slide plate 21 into available slots.

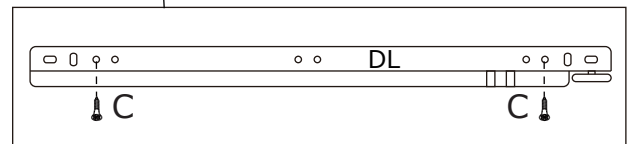
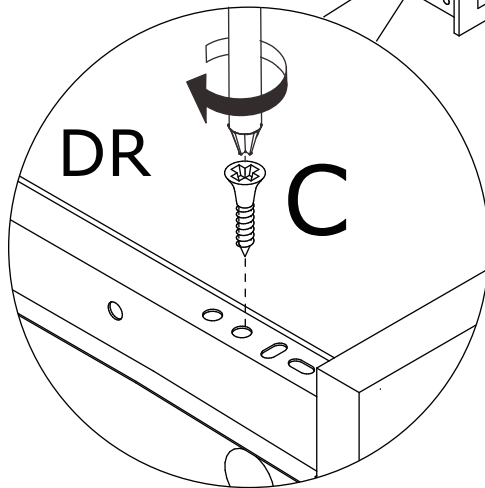
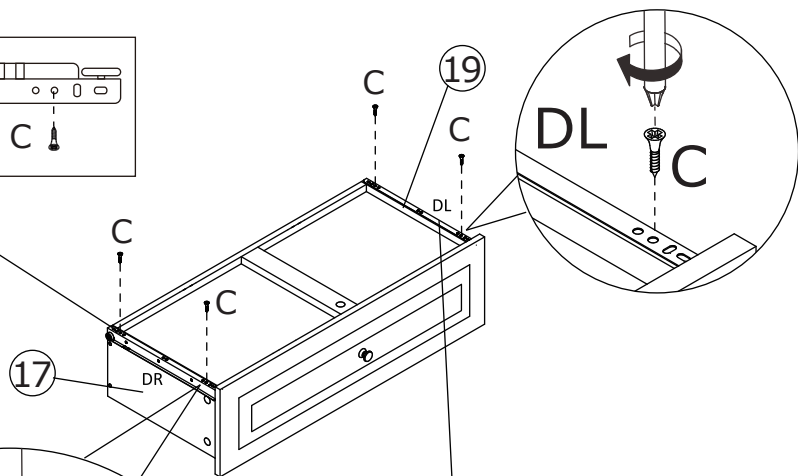
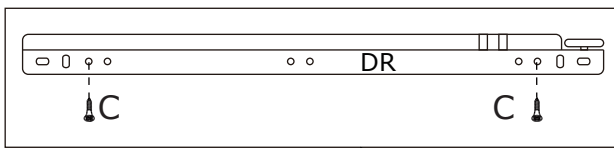


17

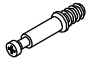



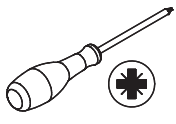
B x 5  Ø15 x 10mm	C x 4  Ø3 x 10mm	DL x 1 	DR x 1 	
--	---	---	--	---



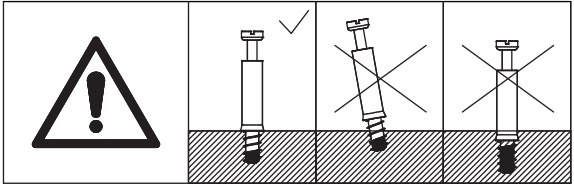
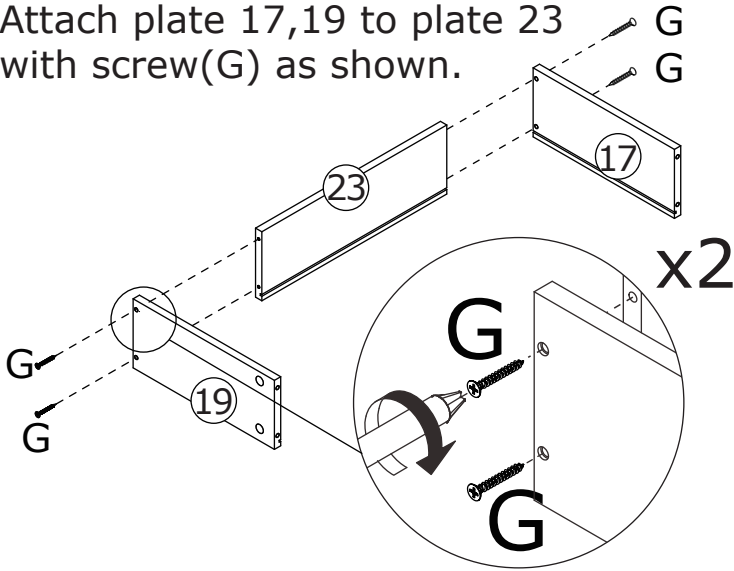
Attach plate 25 to the component and turn cam locks(B) clockwise to tighten as shown. Please pay attention to the holes where the accessories are inserted. Fix runner(DL) and (DR) to plate 19 and 17 respectively with screw(C) as shown.



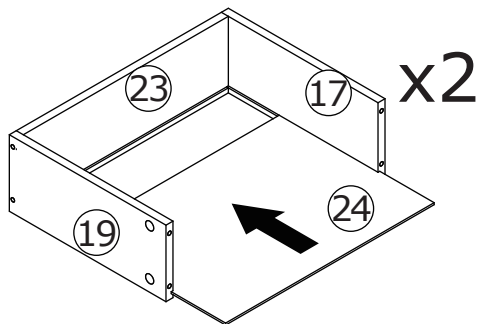
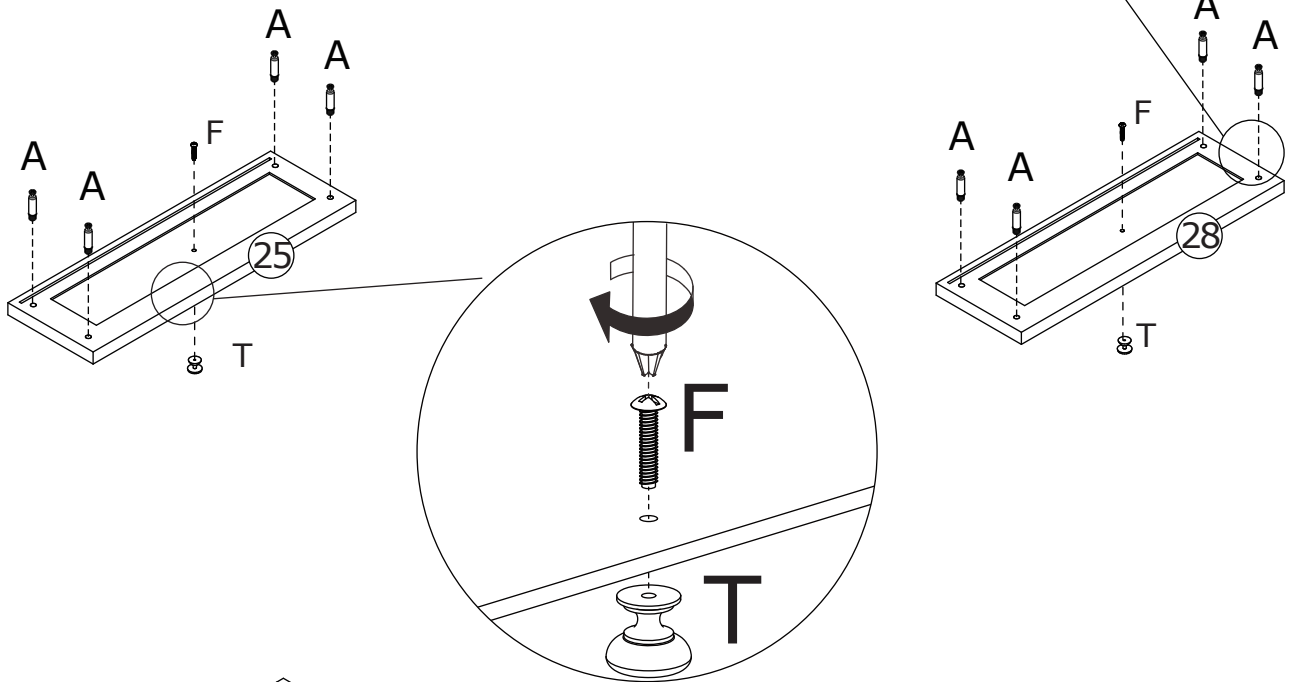
18

A x 8  Ø6 x 30mm	G x 8  Ø4 x 35mm	T x 2 	F x 2  Ø4 x 14mm	
---	---	--	---	---

Attach plate 17,19 to plate 23 with screw(G) as shown.

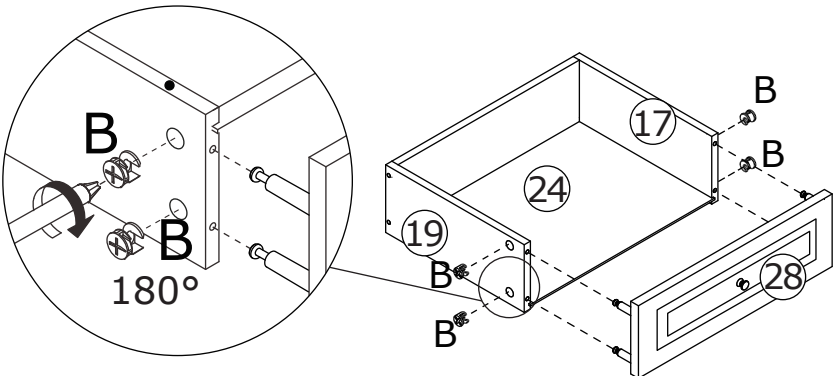
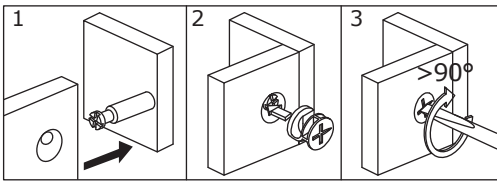
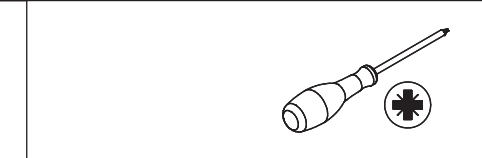
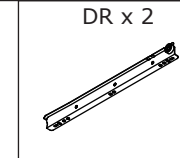
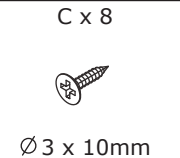
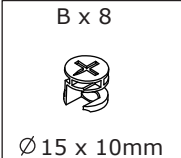


Insert quickfit screw(A) into plate 25, 28 with a screwdriver as shown.

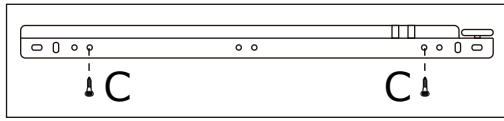
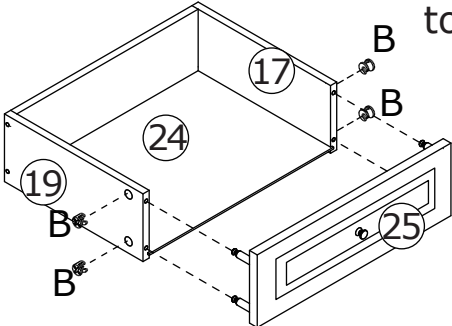


Fix knob(T) with screw(F).
Slide plate 24 into available slots.

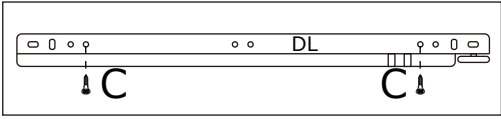
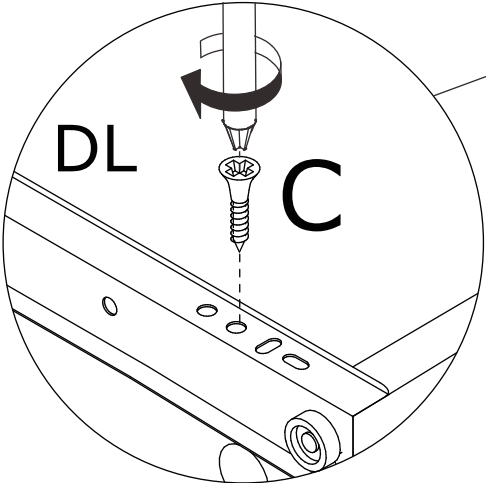
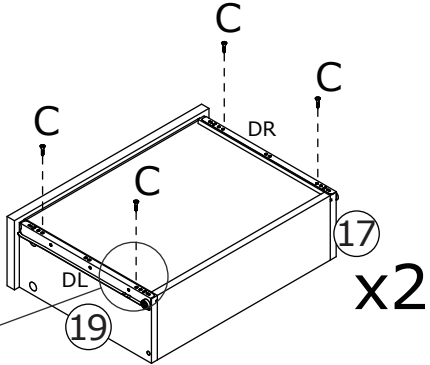
19



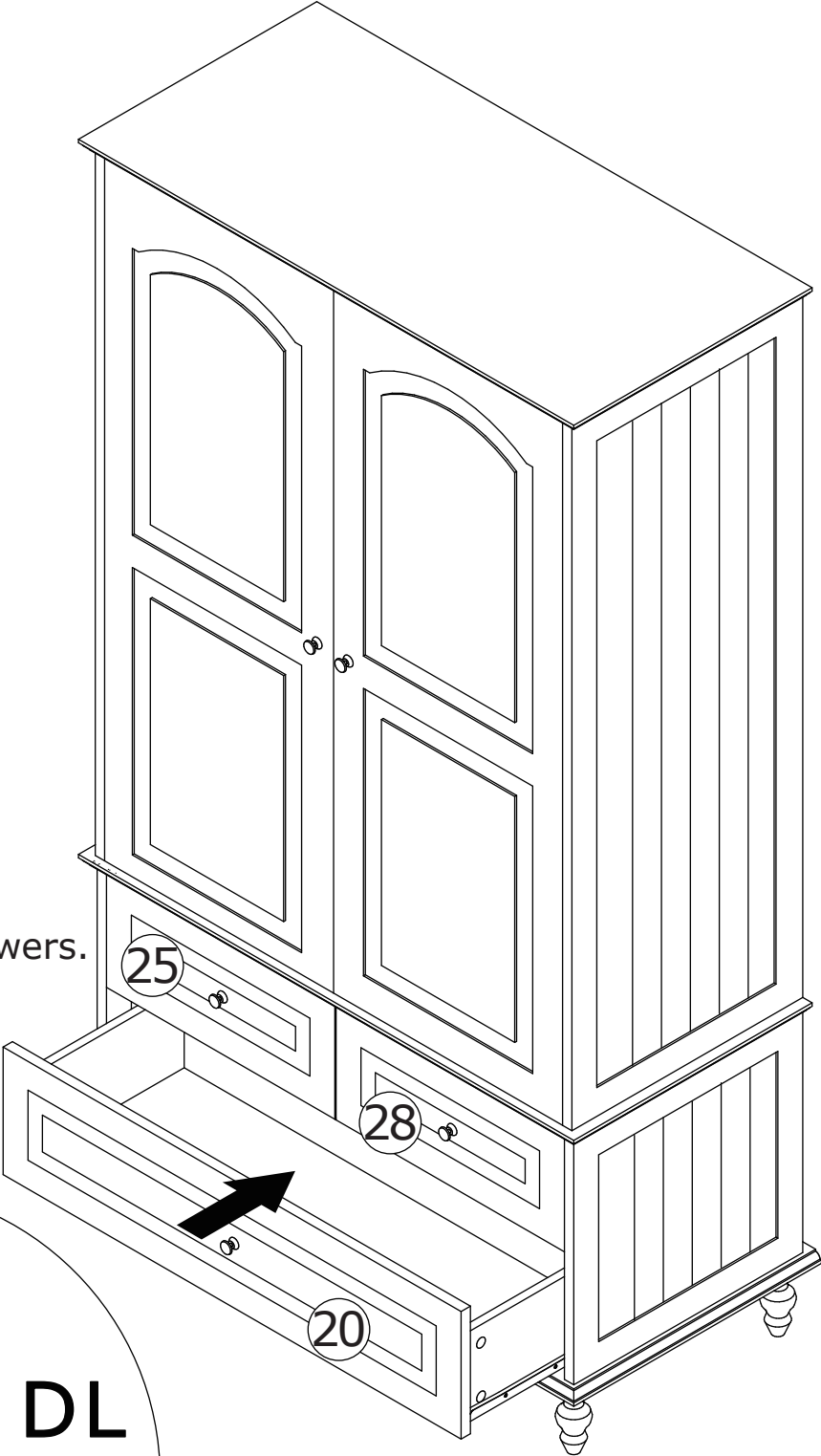
Attach plate 28 and plate 25 to the component and turn cam locks(B) clockwise to tighten as shown.



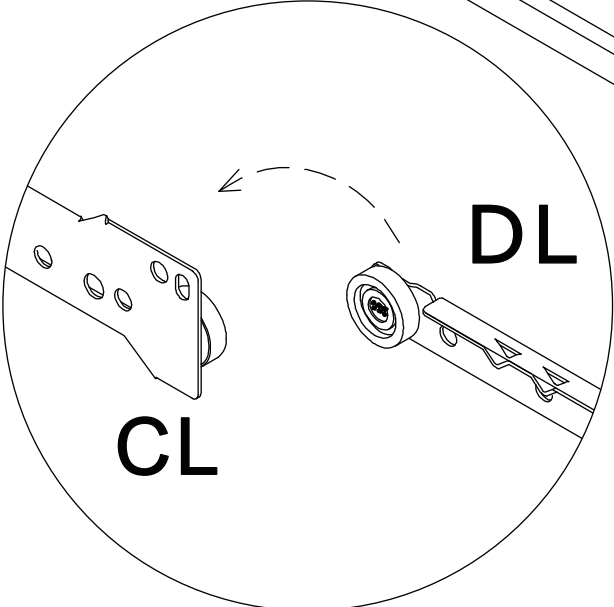
Fix runner(DL) and (DR) to plate 19 and 17 respectively with screw(C) as shown.



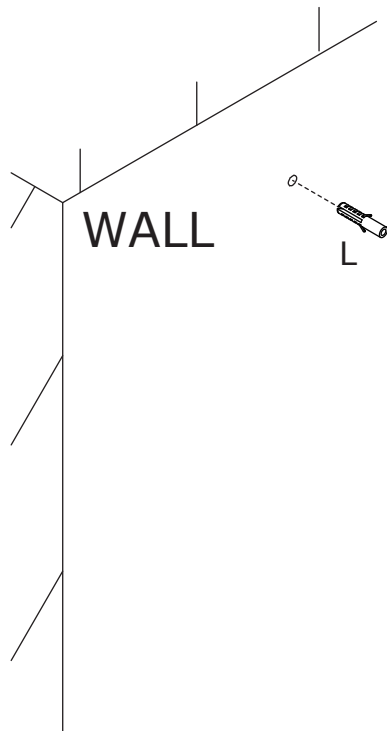
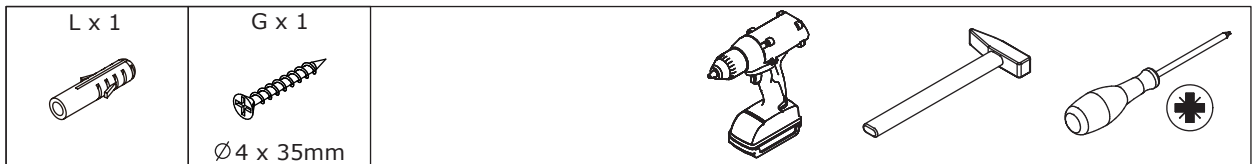
20



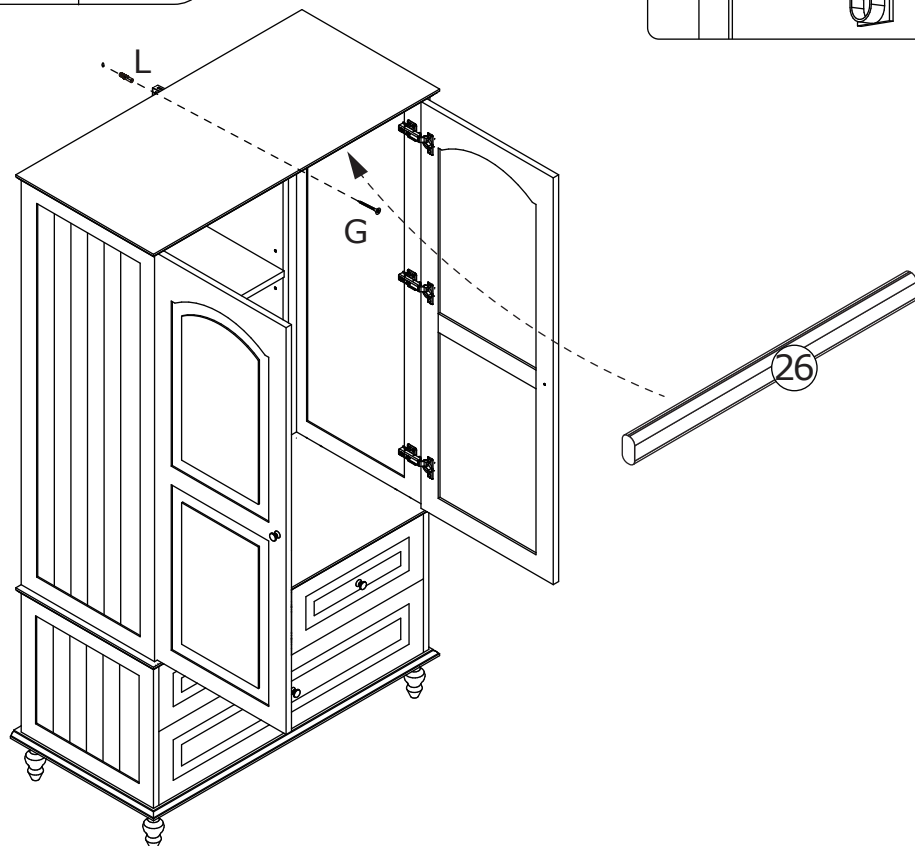
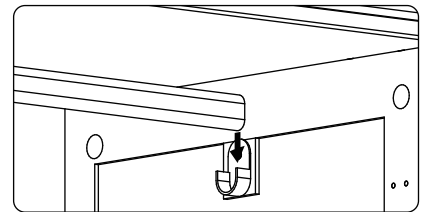
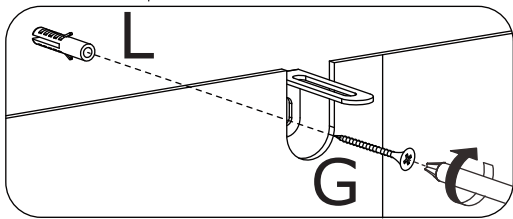
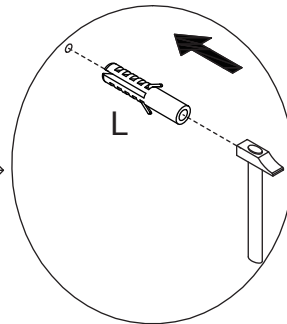
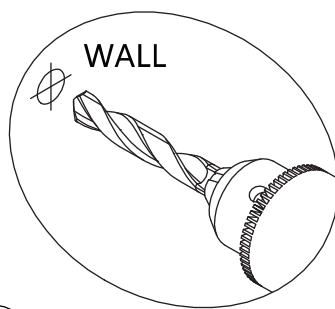
Align rails, slide all drawers.

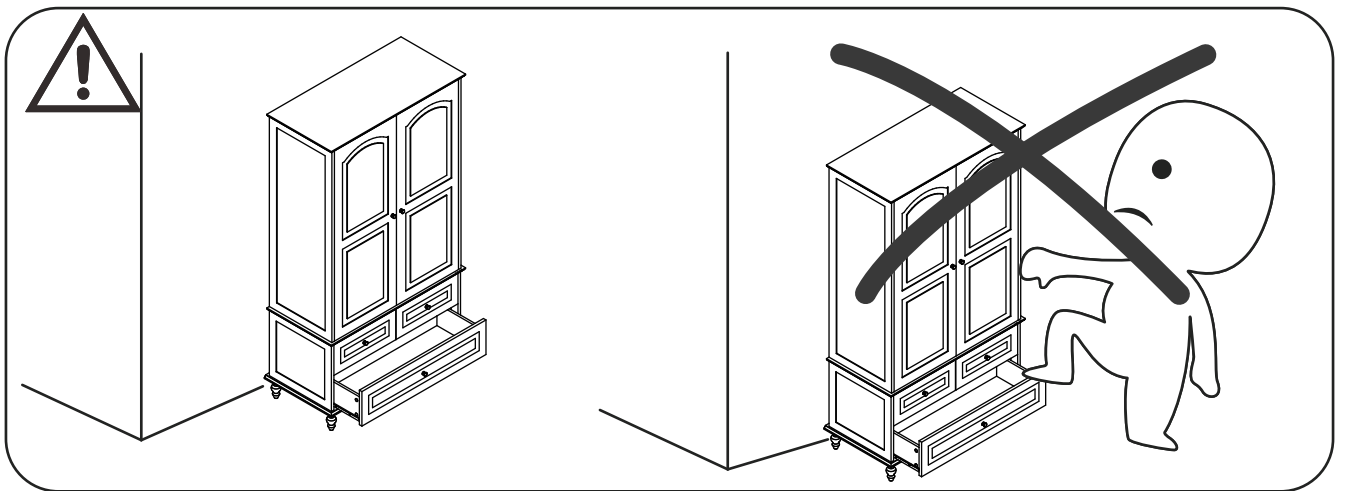
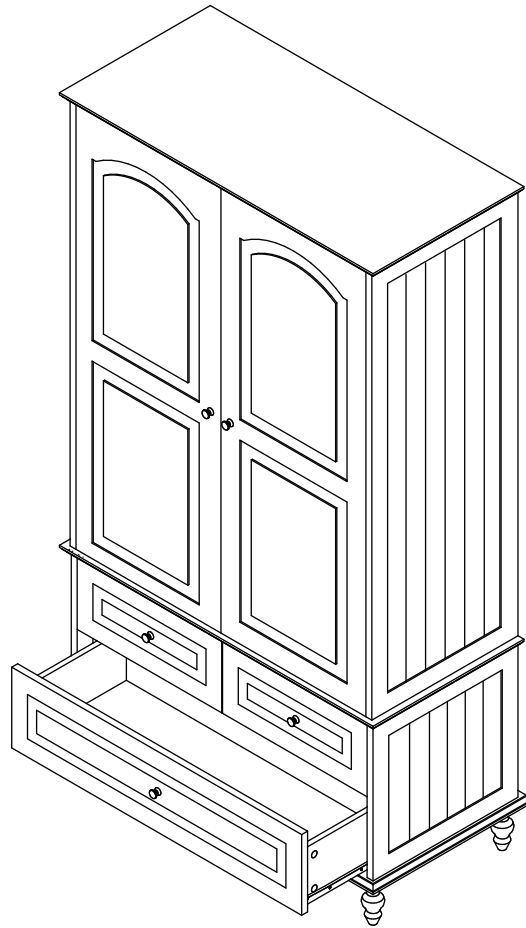


21



Install anti-tipping device (L) with screw (G) as shown.





WARRANTY

WARRANTY CLAIMS

- There is a 30-day warranty for broken furniture or any other problems that do not work properly. The warranty will start from the date of purchase which must be verified by proof of purchase.
- Before making a claim, we may be able to answer your query, simply call us. Please leave your purchase order number, along with some details of the problem, if you want a replacement part. We will arrange within 48 hours. If there is out of stock, we will reply with a shipping date.
- The product must be used in accordance with the instructions provided. For health reasons.
- For other reasons, if the furniture needs to be returned, it must be cleaned and dried and operated within 30 days of receipt.

Type of Warranty Claim

- Failure to follow the furniture instructions will invalidate the warranty. Attention please.
- Does not include damage during installation, but includes damage during transportation.

Scope of responsibility

- Shall not bear any responsibility for misuse or user damage and / or loss of parts during the installation of furniture.
- After using, the damage and scratches of the furniture are not covered by the warranty.

The Warranty Relates to All Bought in The Us and Covers The Following Areas

- Sheet parts: 1 month from the date of purchase.
- Electrical parts: 1 month from the date of purchase.