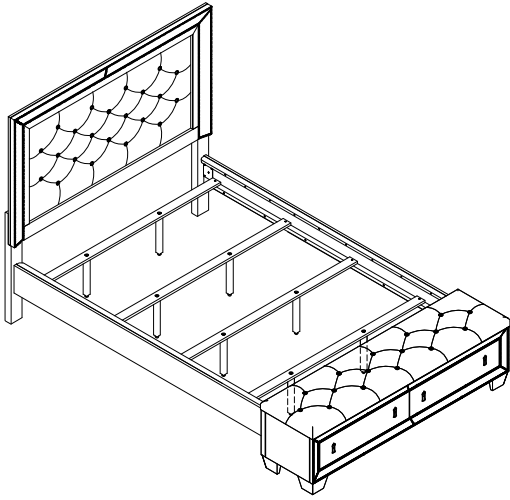
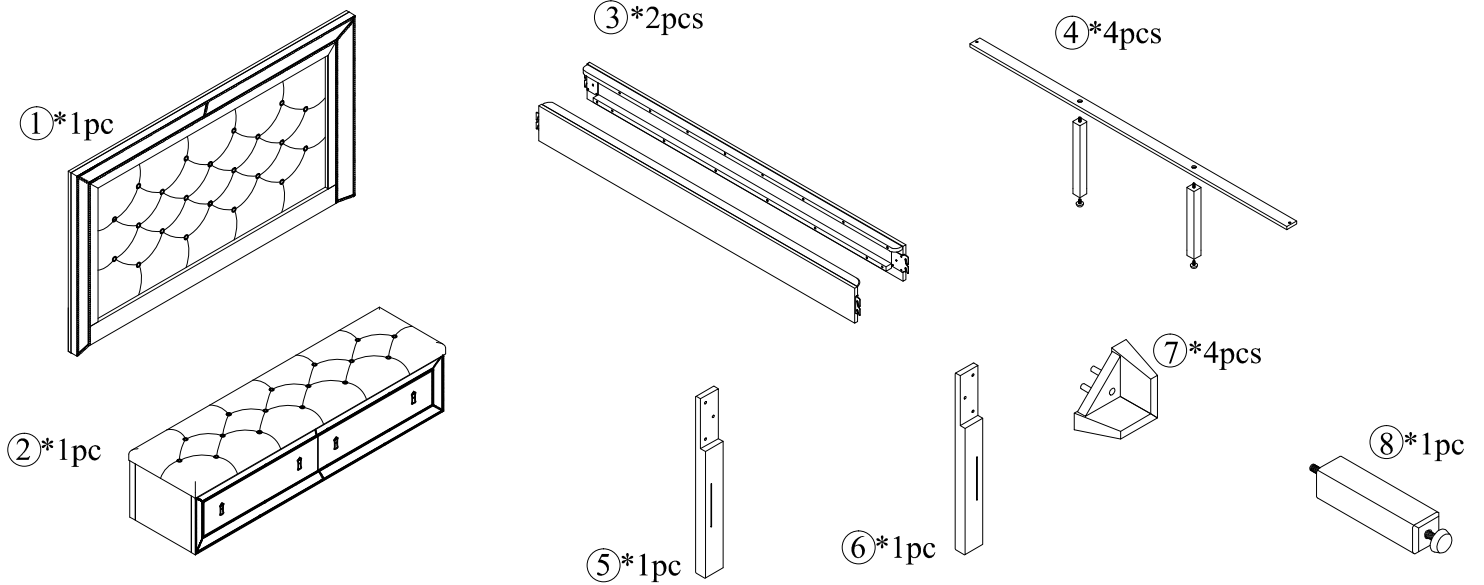


ASSEMBLY INSTRUCTIONS

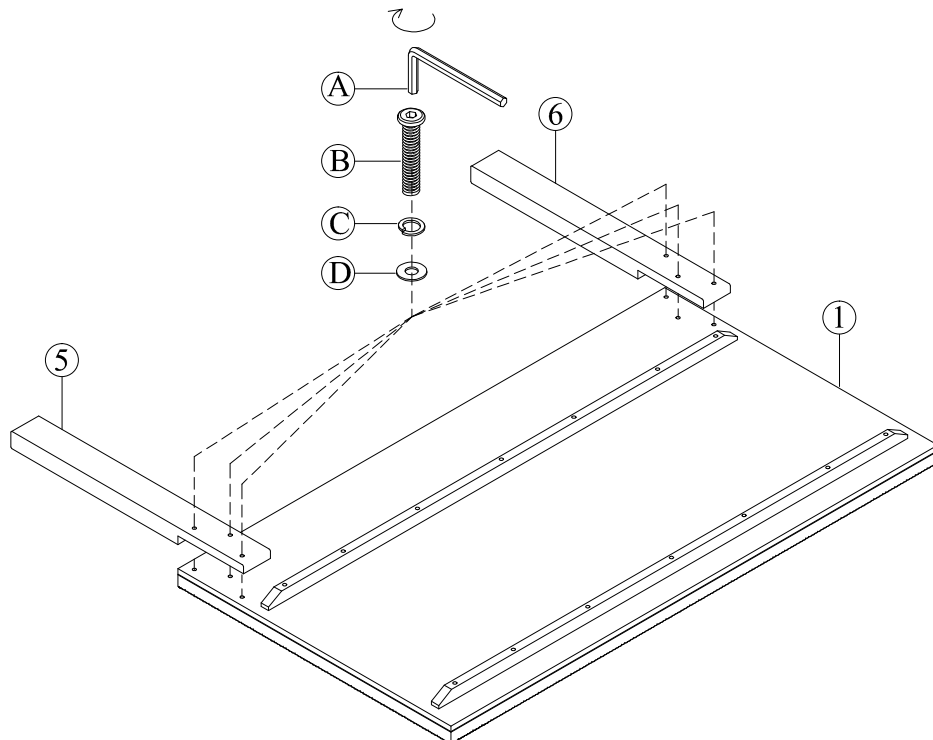
DESCRIPTION: CAL KING BED



HARD WARE LIST			
PARTS	DESCRIPTION	SKETCH	Q"TY
A	ALLEN KEY		1PC
B	JCBC BOLT $\phi_{16}^5 \times L38mm$		10PCS
C	SPRING WASHER $\phi_{16}^5 \times \phi 12mm$		10PCS
D	FLAT WASHER $\phi_{16}^5 \times \phi 19mm$		10PCS
E	SCREWS $\phi 8 \times \phi 4 \times L25mm$		8PCS



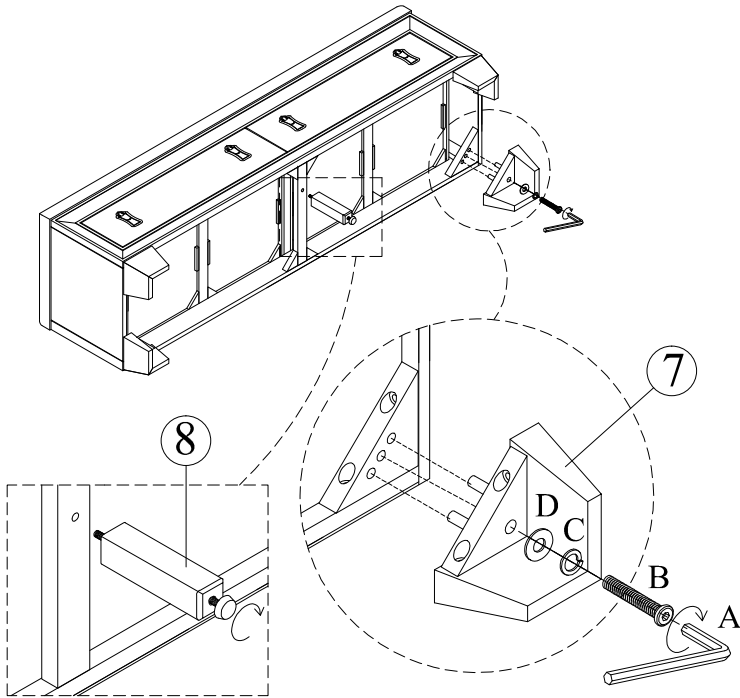
STEP 1



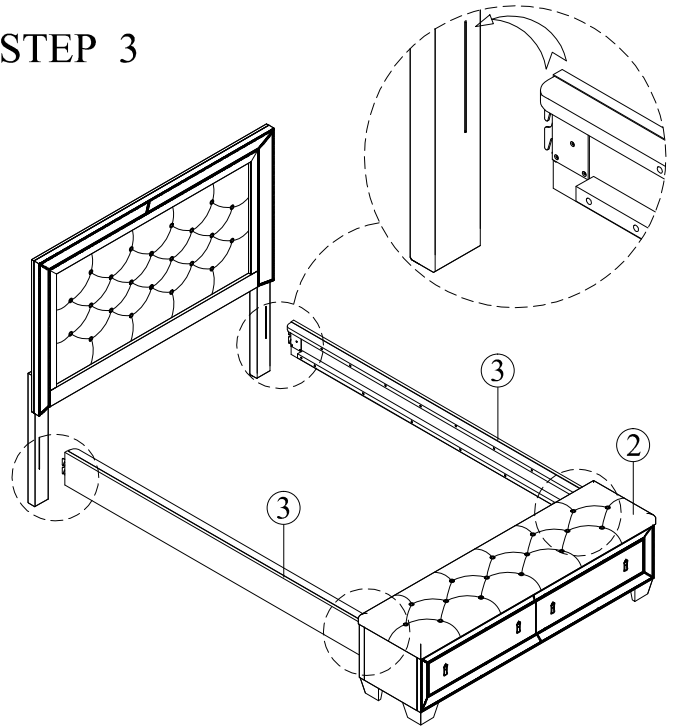
ASSEMBLY INSTRUCTIONS

DESCRIPTION: CAL KING BED

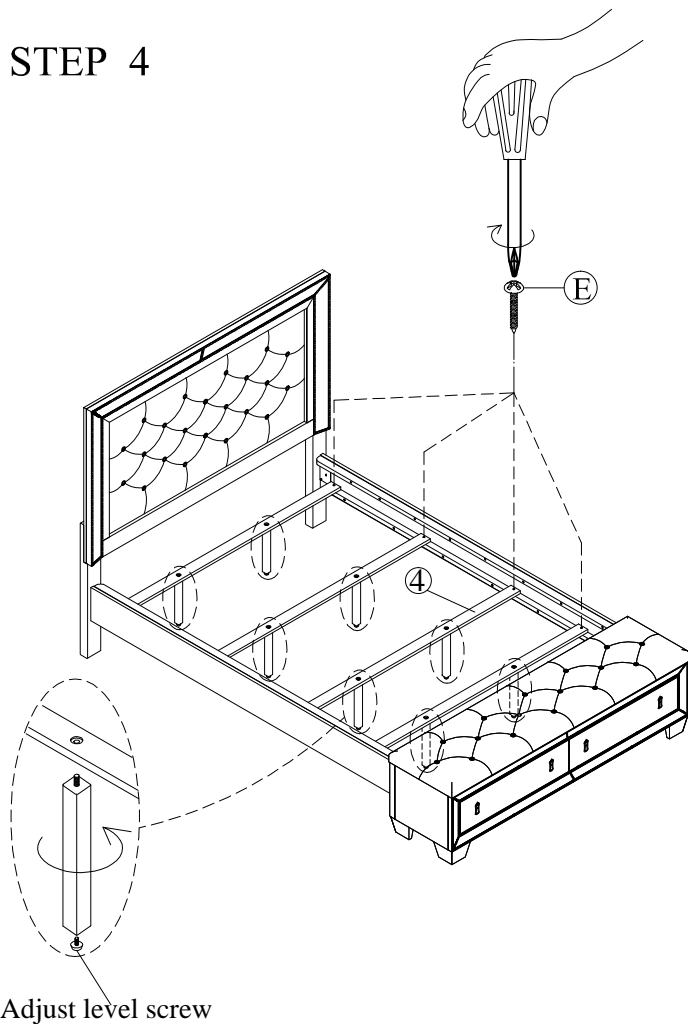
STEP 2



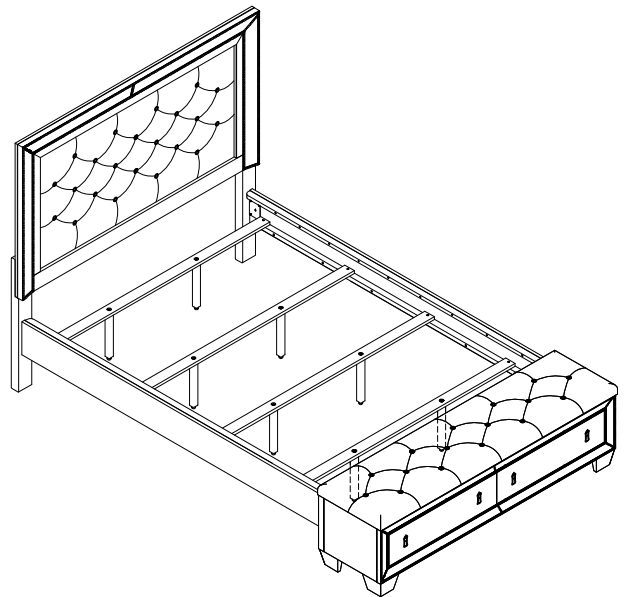
STEP 3



STEP 4

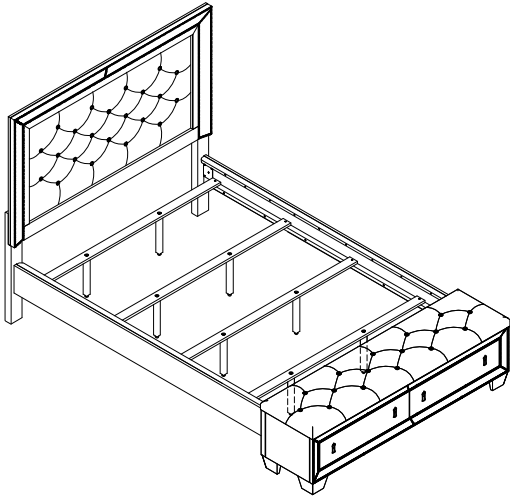


STEP 5

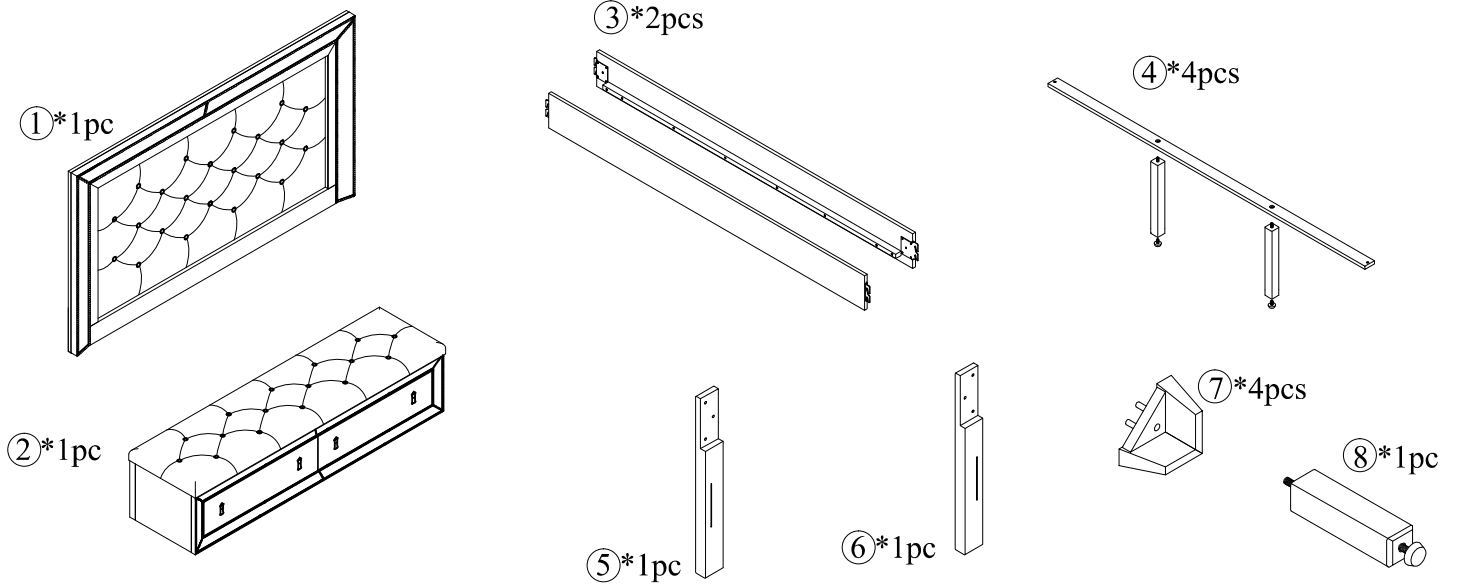


ASSEMBLY INSTRUCTIONS

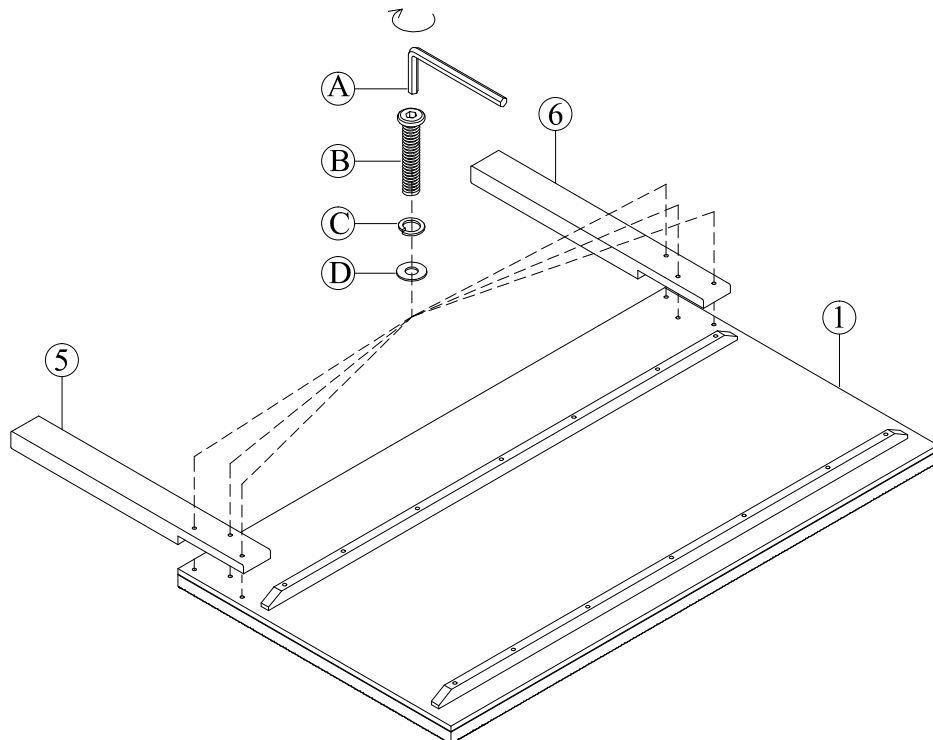
DESCRIPTION: KING BED



HARD WARE LIST			
PARTS	DESCRIPTION	SKETCH	Q"TY
A	ALLEN KEY		1PC
B	JCBC BOLT $\varnothing\frac{5}{16}$ "*L38mm		10PCS
C	SPRING WASHER $\varnothing\frac{5}{16}$ " \varnothing 12mm		10PCS
D	FLAT WASHER $\varnothing\frac{5}{16}$ " \varnothing 19mm		10PCS
E	SCREWS \varnothing 8* \varnothing 4*L25mm		8PCS



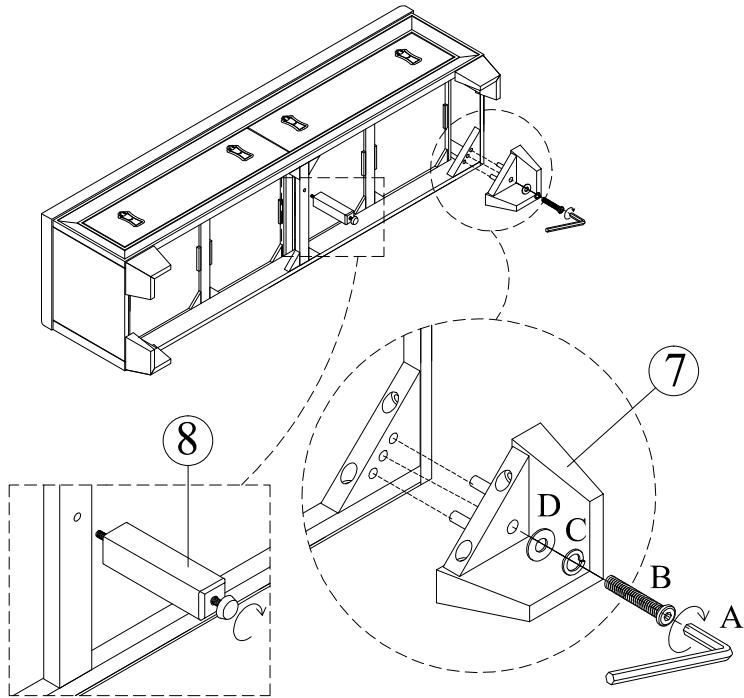
STEP 1



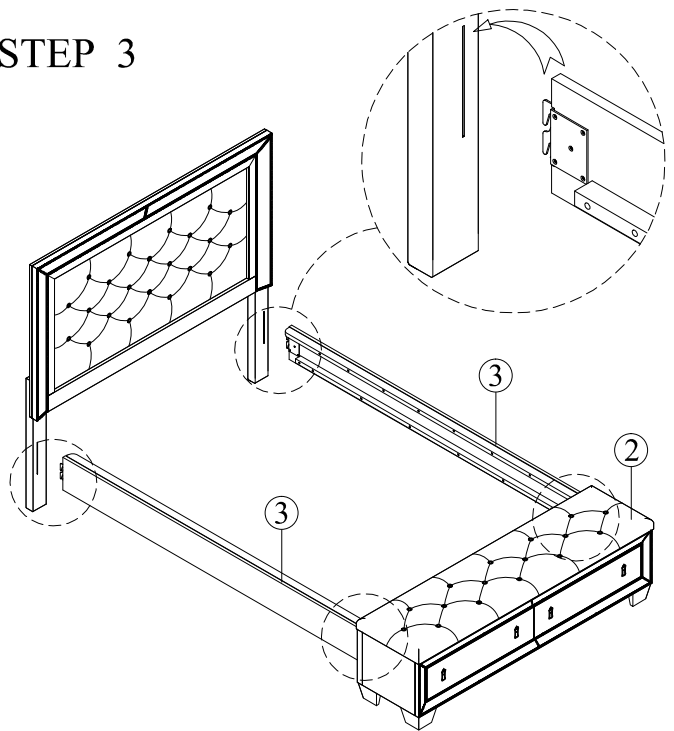
ASSEMBLY INSTRUCTIONS

DESCRIPTION: KING BED

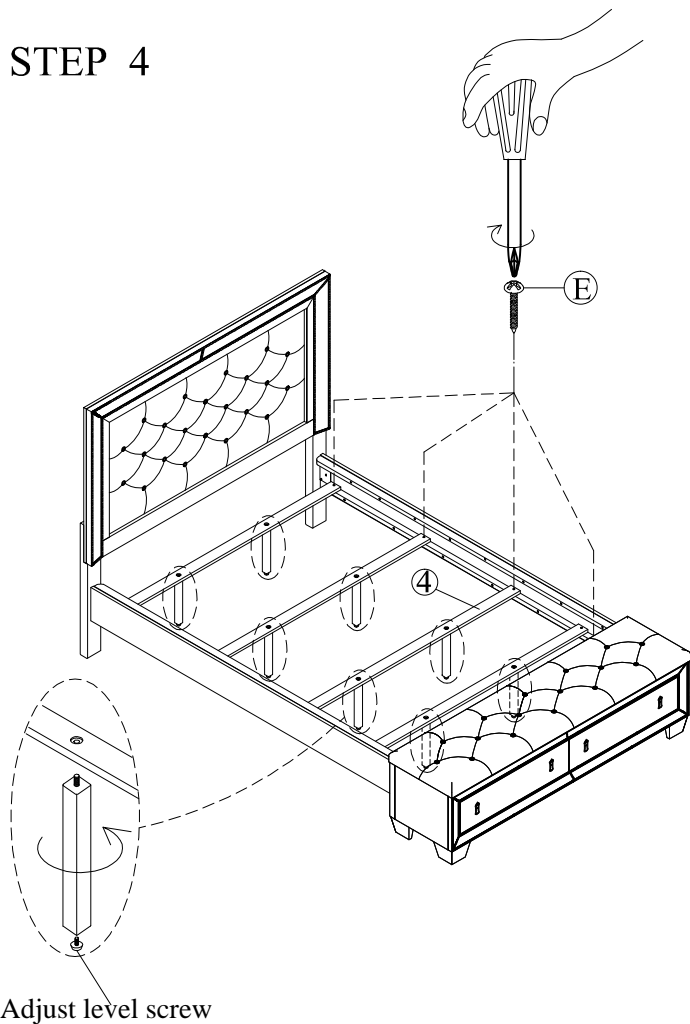
STEP 2



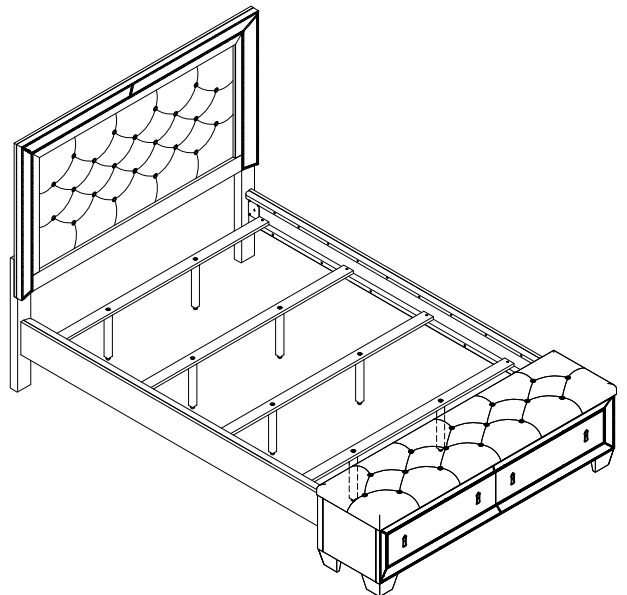
STEP 3



STEP 4

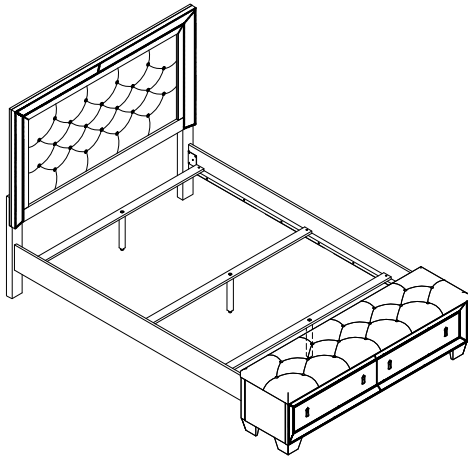


STEP 5

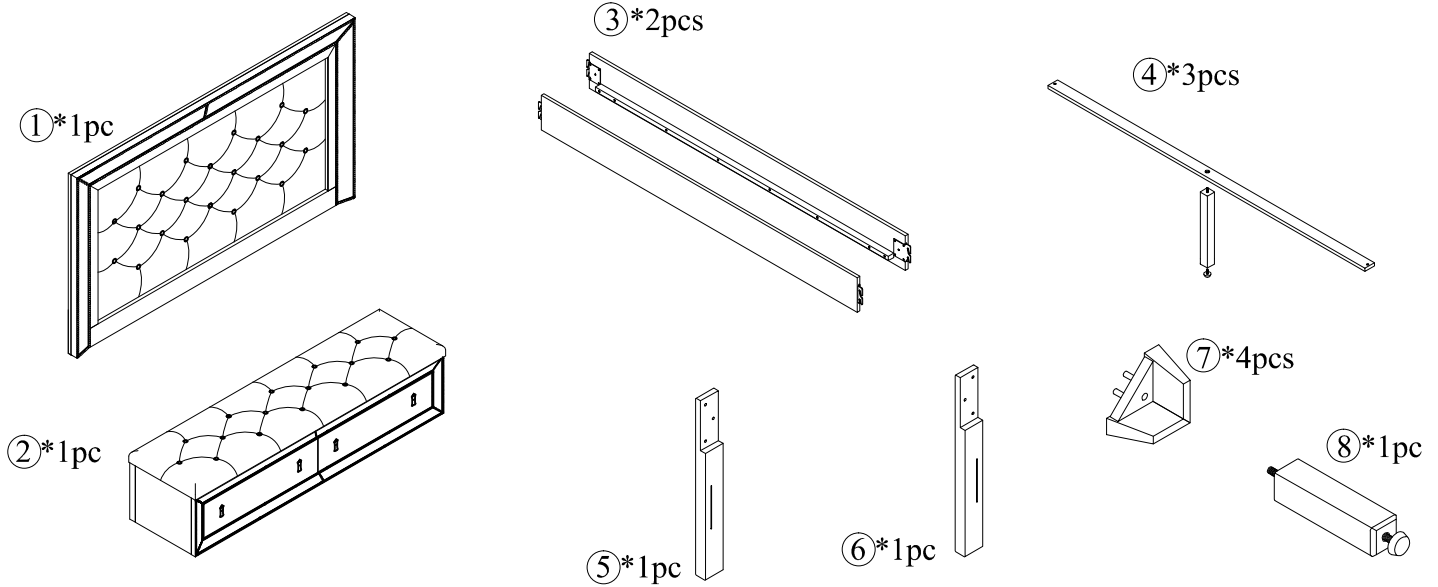


ASSEMBLY INSTRUCTIONS

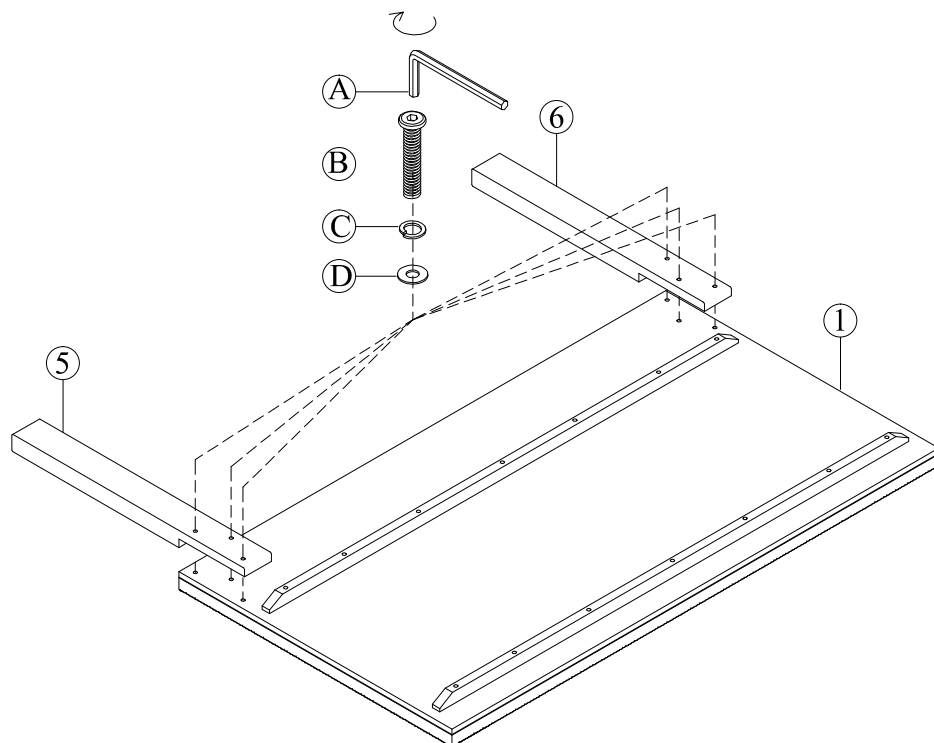
DESCRIPTION: QUEEN BED



HARD WARE LIST			
PARTS	DESCRIPTION	SKETCH	Q"TY
A	ALLEN KEY		1PC
B	JCBC BOLT $\phi_{16}^5 \times L38mm$		10PCS
C	SPRING WASHER $\phi_{16}^5 \times \phi 12mm$		10PCS
D	FLAT WASHER $\phi_{16}^5 \times \phi 19mm$		10PCS
E	SCREWS $\phi 8 \times \phi 4 \times L25mm$		6PCS



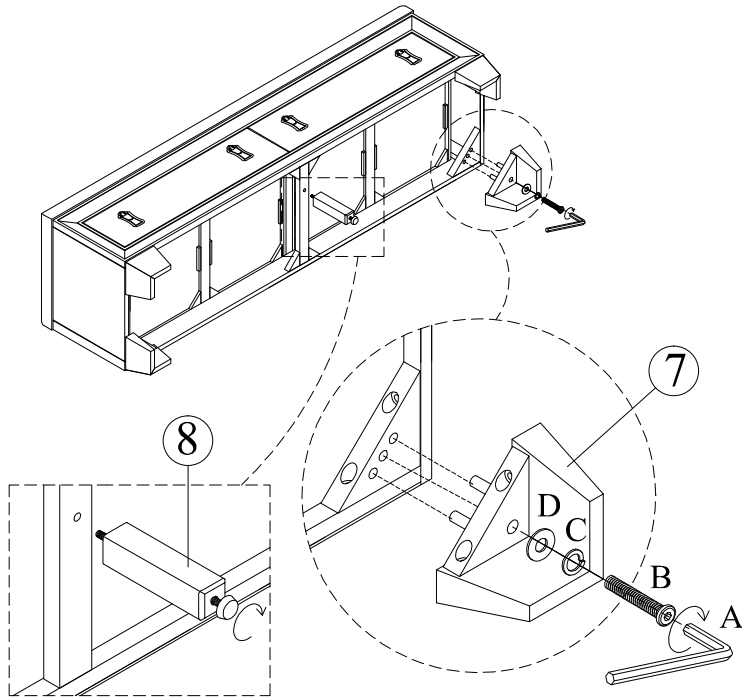
STEP 1



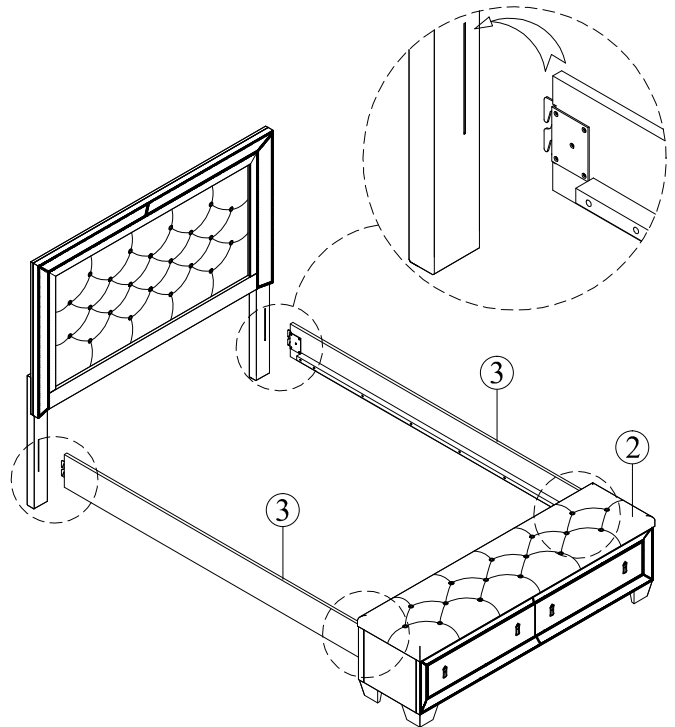
ASSEMBLY INSTRUCTIONS

DESCRIPTION: QUEEN BED

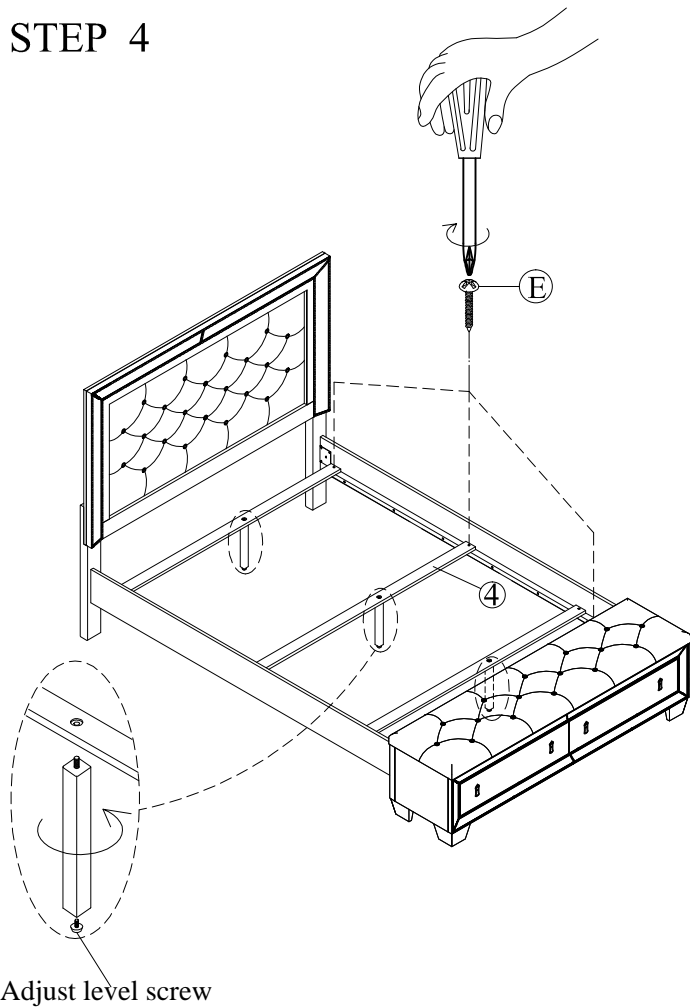
STEP 2



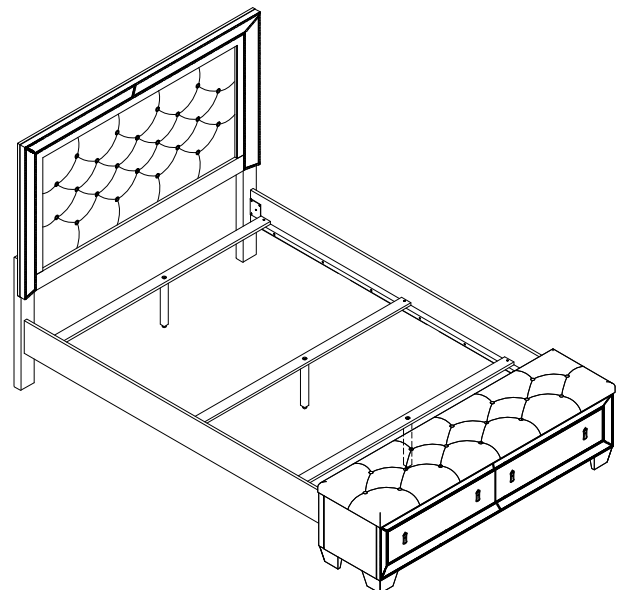
STEP 3



STEP 4

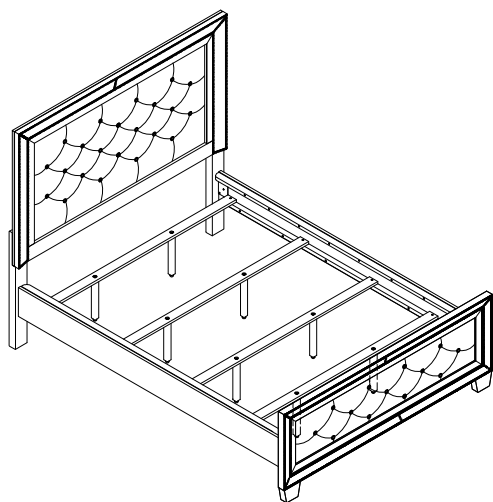


STEP 5

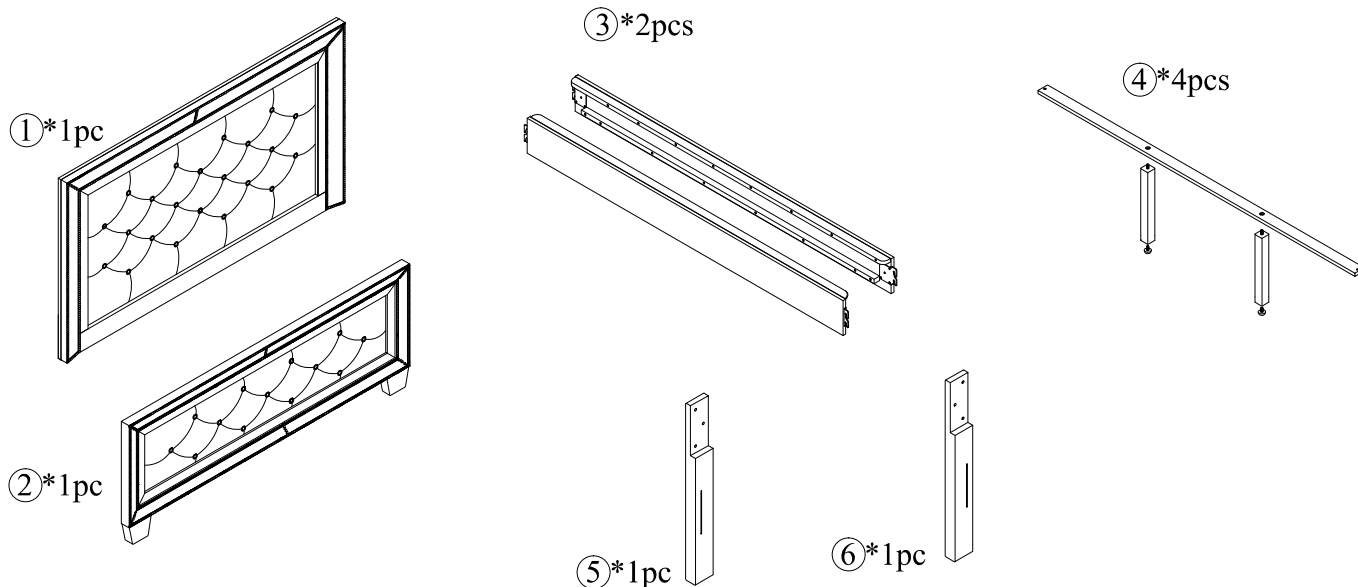


ASSEMBLY INSTRUCTIONS

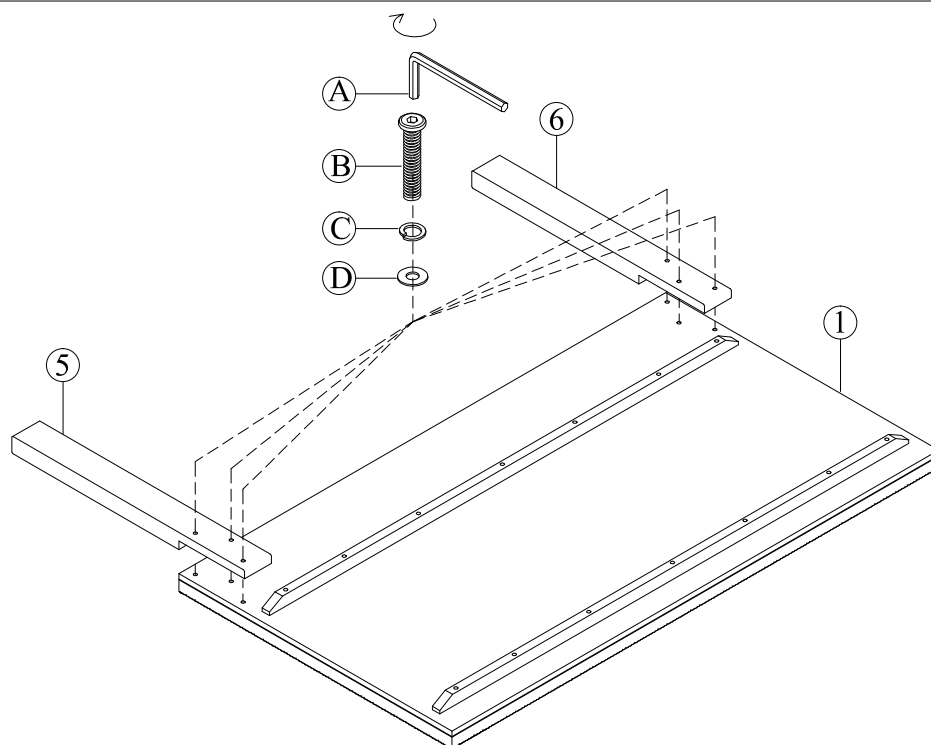
DESCRIPTION: CAL KING BED



HARD WARE LIST			
PARTS	DESCRIPTION	SKETCH	Q"TY
A	ALLEN KEY		1PC
B	JCBC BOLT $\phi_{16}^5 \times L38mm$		6PCS
C	SPRING WASHER $\phi_{16}^5 \times \phi 12mm$		6PCS
D	FLAT WASHER $\phi_{16}^5 \times \phi 19mm$		6PCS
E	SCREWS $\phi 8 \times \phi 4 \times L25mm$		8PCS



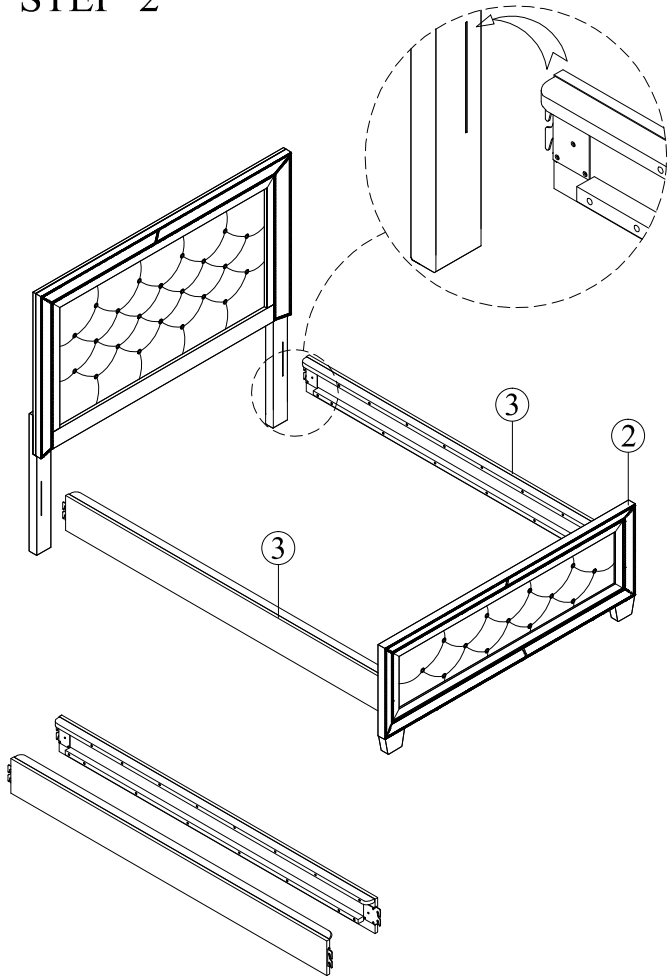
STEP 1



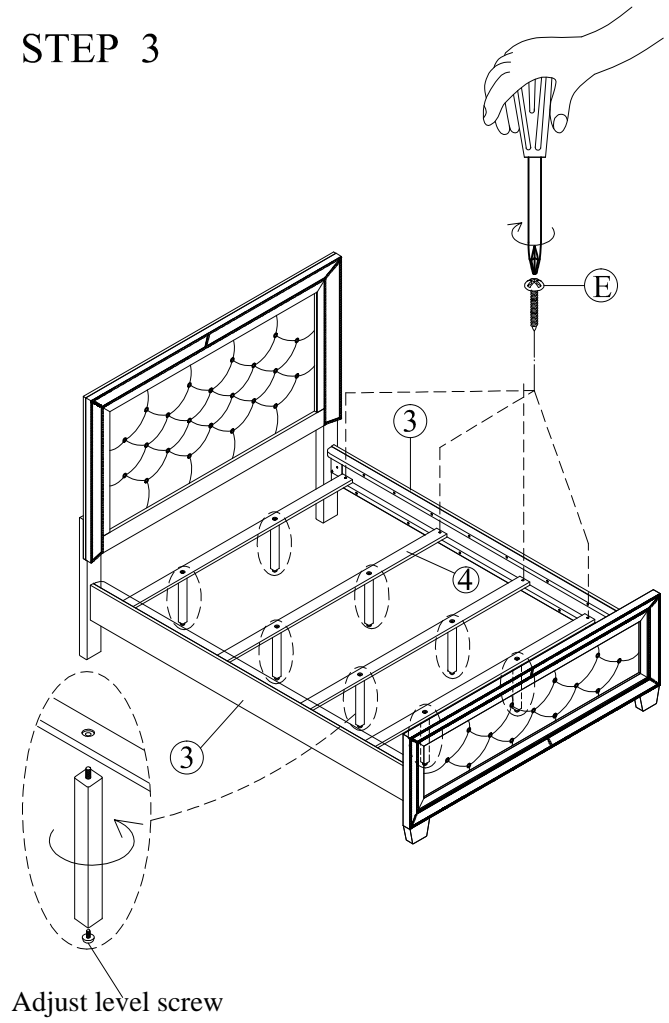
ASSEMBLY INSTRUCTIONS

DESCRIPTION: CAL KING BED

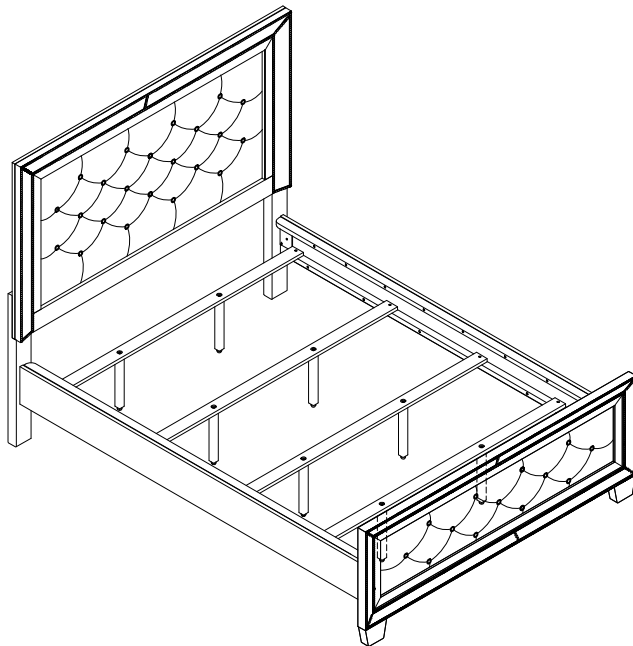
STEP 2



STEP 3

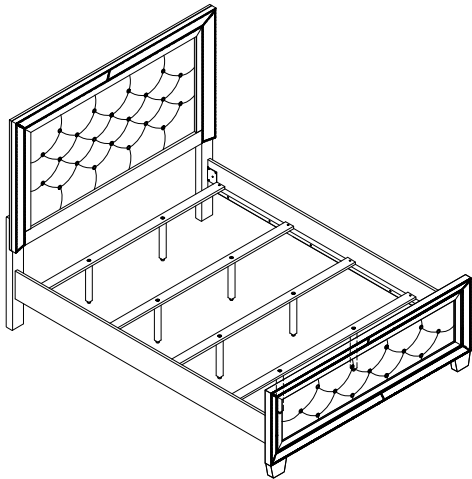


STEP 4

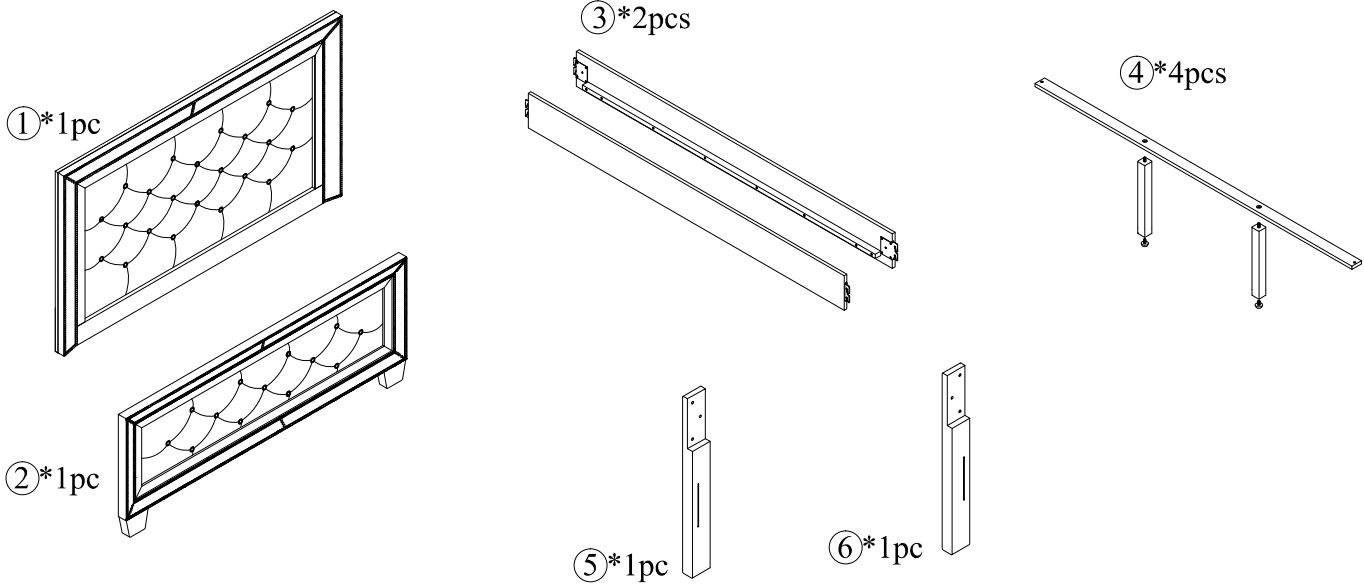


ASSEMBLY INSTRUCTIONS

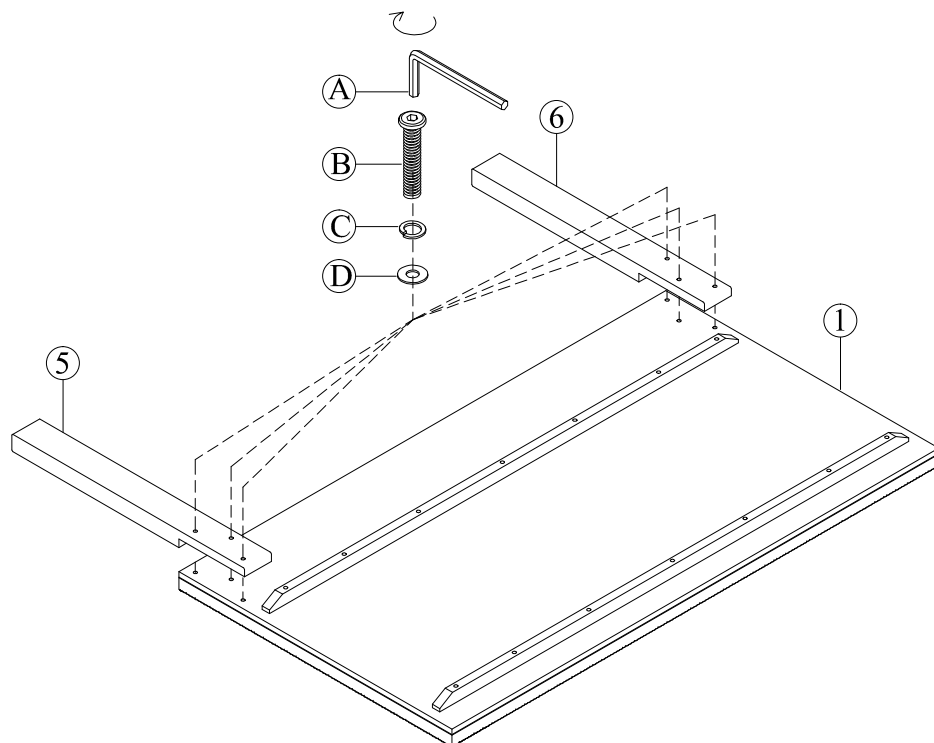
DESCRIPTION: KING BED



HARD WARE LIST			
PARTS	DESCRIPTION	SKETCH	Q"TY
A	ALLEN KEY		1PC
B	JCBC BOLT $\phi_{16}^5 \times L38mm$		6PCS
C	SPRING WASHER $\phi_{16}^5 \phi 12mm$		6PCS
D	FLAT WASHER $\phi_{16}^5 \phi 19mm$		6PCS
E	SCREWS $\phi 8 \times \phi 4 \times L25mm$		8PCS



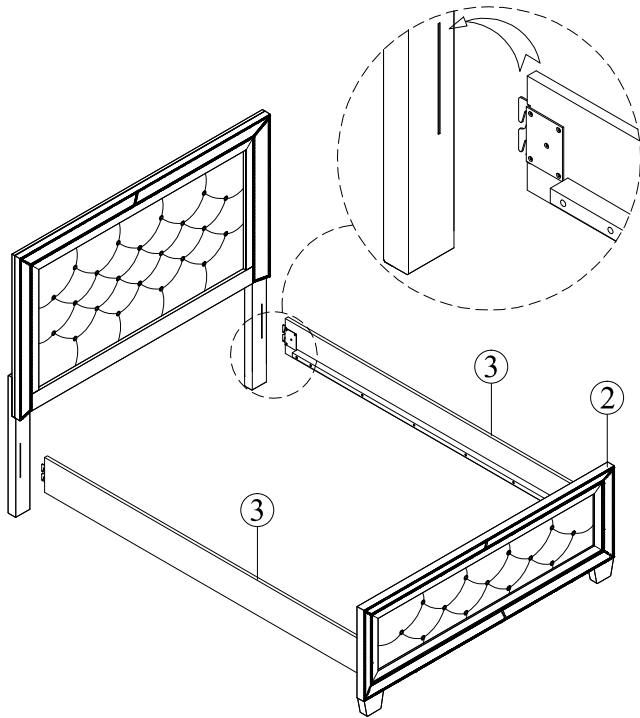
STEP 1



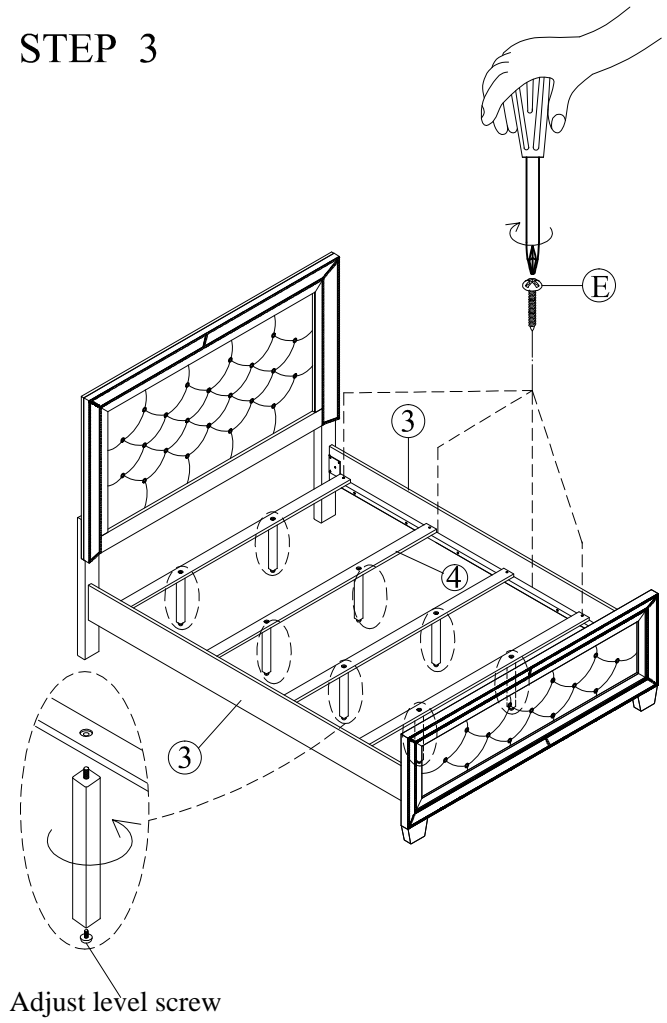
ASSEMBLY INSTRUCTIONS

DESCRIPTION: KING BED

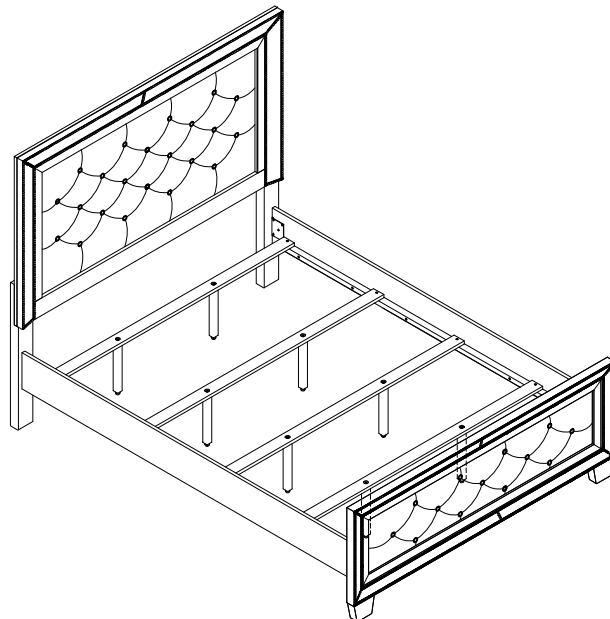
STEP 2



STEP 3

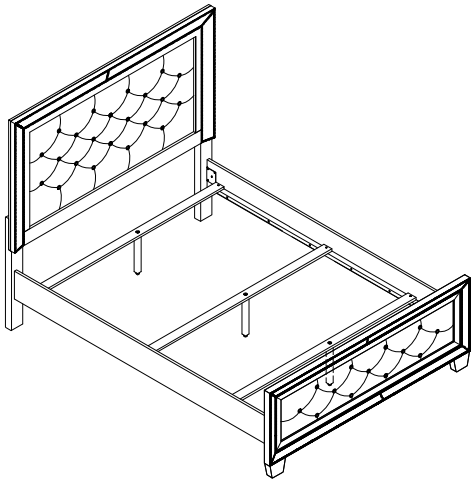


STEP 4

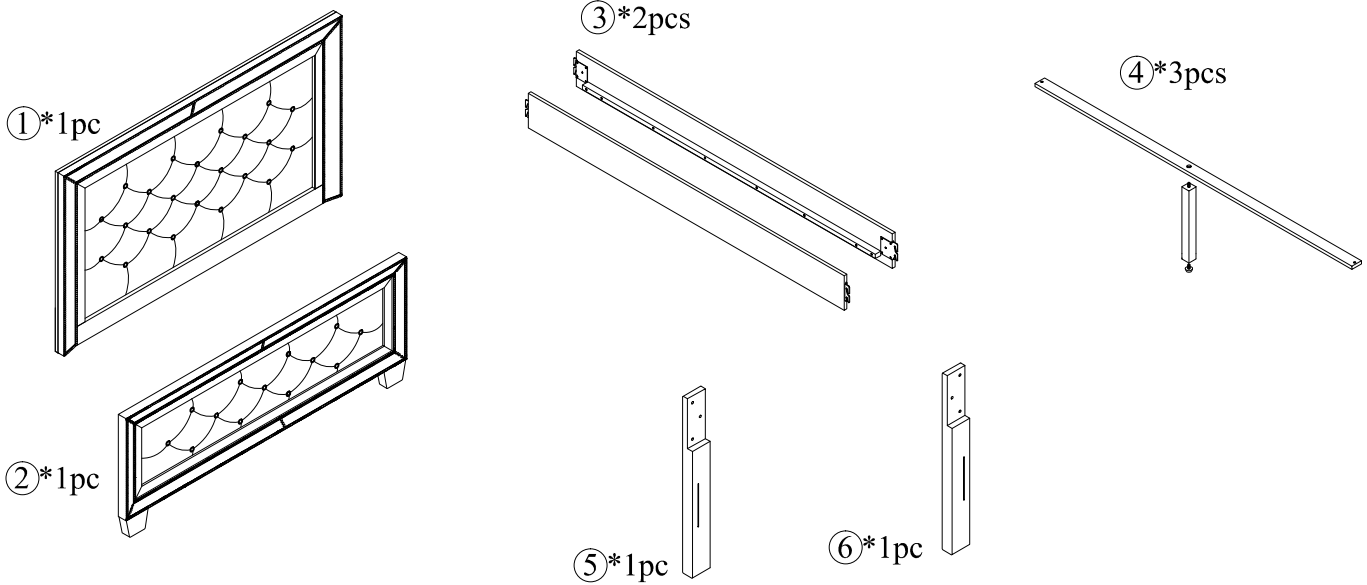


ASSEMBLY INSTRUCTIONS

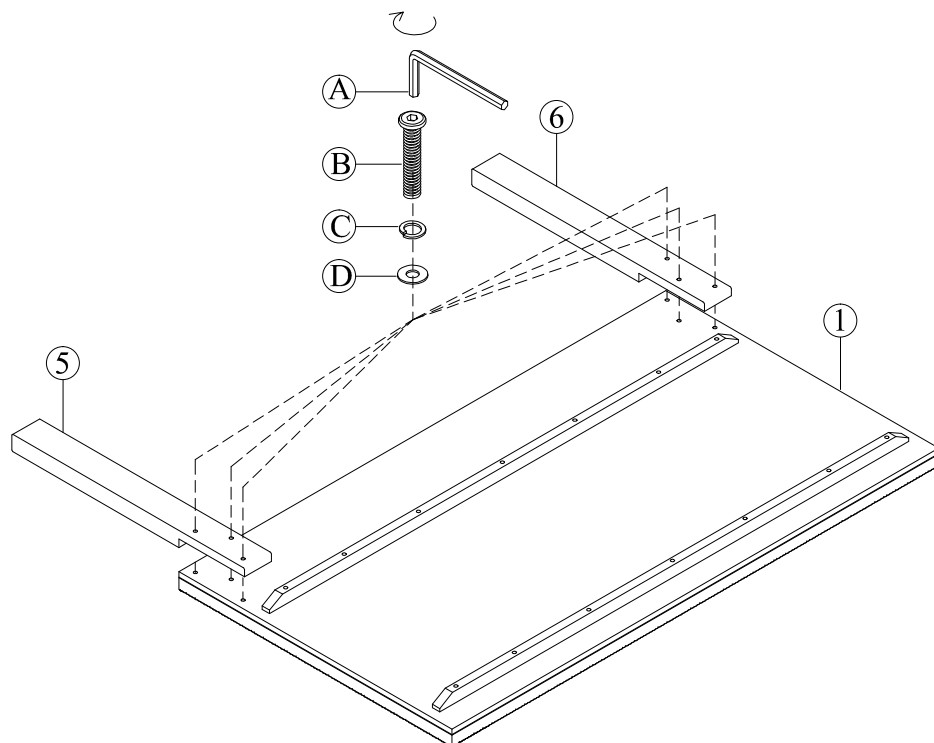
DESCRIPTION: QUEEN BED



HARD WARE LIST			
PARTS	DESCRIPTION	SKETCH	Q"TY
A	ALLEN KEY		1PC
B	JCBC BOLT $\phi_{16}^5 \times L38mm$		6PCS
C	SPRING WASHER $\phi_{16}^5 \times \phi 12mm$		6PCS
D	FLAT WASHER $\phi_{16}^5 \times \phi 19mm$		6PCS
E	SCREWS $\phi 8 \times \phi 4 \times L25mm$		6PCS



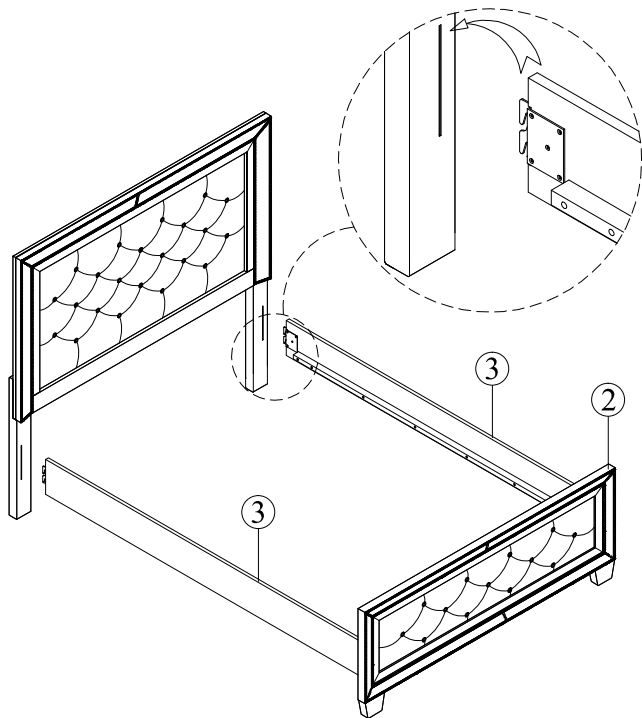
STEP 1



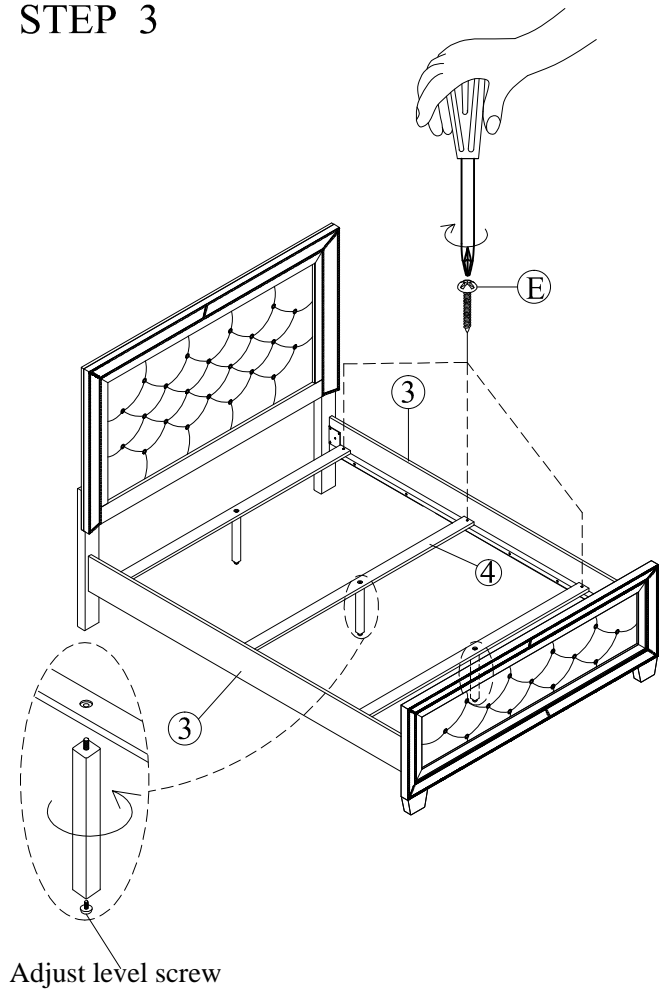
ASSEMBLY INSTRUCTIONS

DESCRIPTION: QUEEN BED

STEP 2



STEP 3



STEP 4

