



LED Wall Sconce Lights

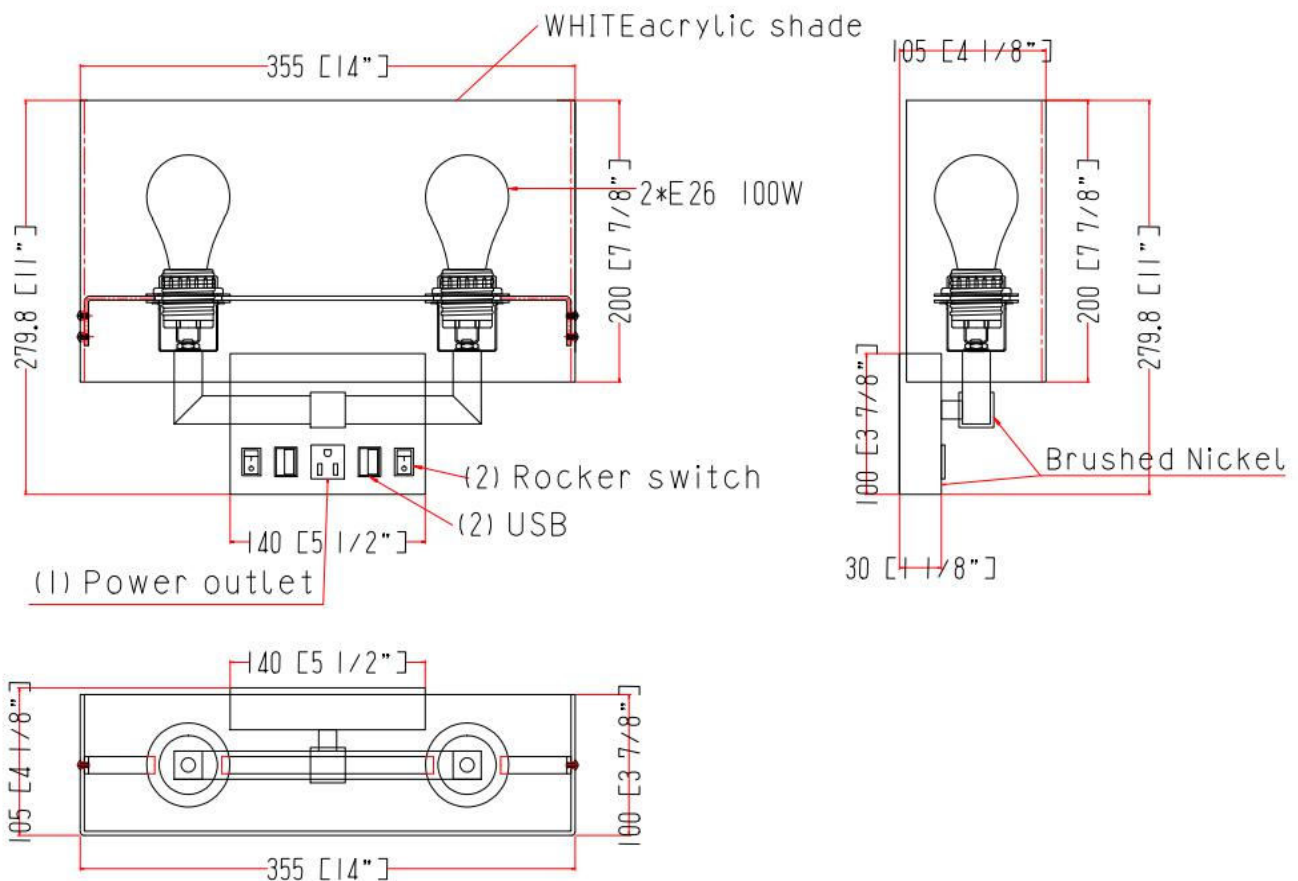


LIGHT SPECIFICATIONS INDOOR WALL LAMP

SPECIFICATIONS



•LAMP HOLDER	E26
•WATTS	<100W
•VOLTAGE	120V
•IP RATED	DRY LOCATION
•OPERATING TEMPRATURE	-15-40°C
•MATERIAL	ACRYLIC/ IRON
•FINISH	BRUSHED NICKEL
•CONFIGURATION	2 USB, 2 SWITCH AND 1 OUTLET
•SHADE SHAPE	SQUARE
•SHADE MATERIAL	ACRYLIC
•SHADE COLOR	WHITE
•WARRANTY	3-YEAR LIMITED
•RECOMMENDED BULB	A19 EXCLUDED
•DIMMABLE	DEPENDS ON BULBS
N.W.:	0.83KGS
PACKAGE:	41*30*16.5CM



THE MEASUREMENTS ARE ROUNDED TO THE NEAREST 1/4"