

Installation Manual of Bed

Dear Valued Customer:

Thank you for choosing our brand and purchasing our bed frame!

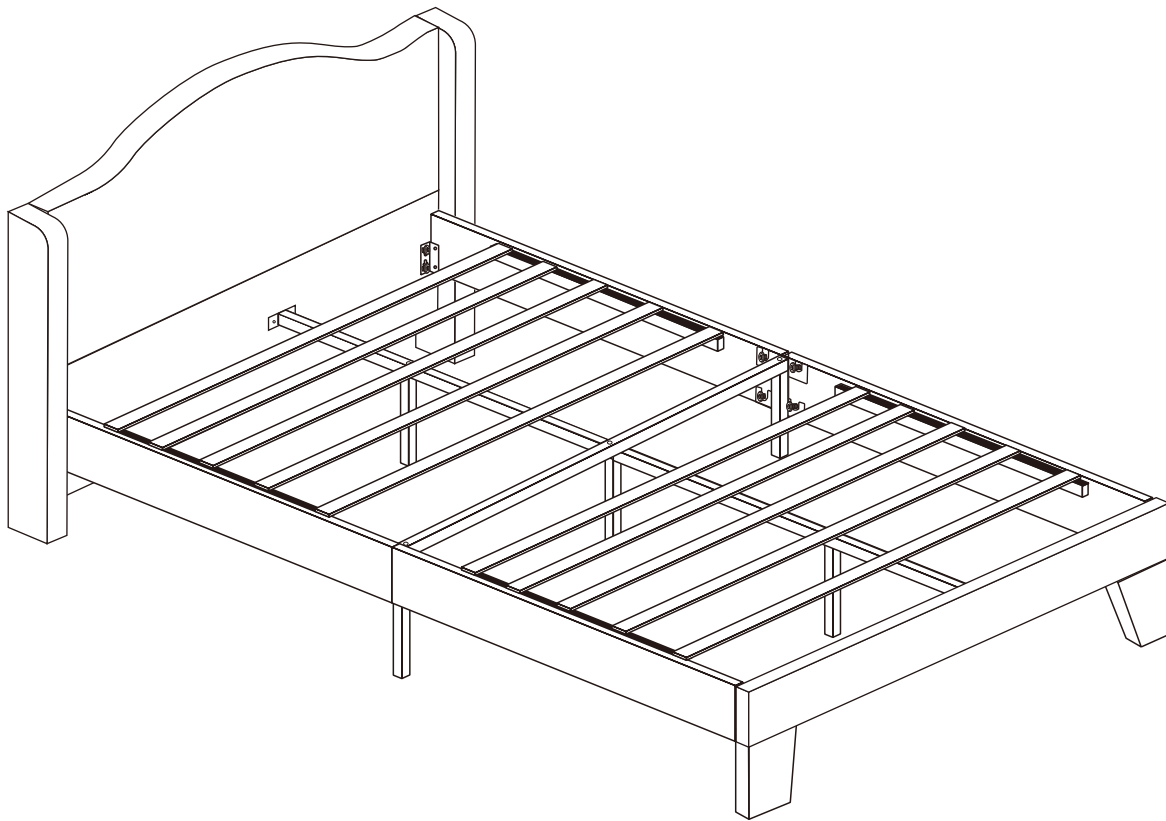
We are thrilled to have earned your trust and we want to ensure that you are completely satisfied with your purchase. To help you get the most out of your new bed frame, we would like to share some useful tips on cleaning and maintenance.

When cleaning your bed frame, we recommend using a soft, slightly moist cloth. Avoid using corrosive detergents, wire brushes, abrasive scourers, or any sharp metal objects as they may damage the product.

Additionally, we recommend checking the components of the bed frame regularly to ensure that all screws are tightened and the frame remains stable.

Installing the bed frame is a simple process. Please refer to the detailed instructions in the manual for step-by-step guidance.

Customer satisfaction is our top priority and we are committed to providing you with the best service and high-quality products. If you have any questions or concerns regarding your bed frame, please don't hesitate to contact our customer service team at email. We are here to help you and resolve any issues you may have. To solve your problem faster, please note the following information in the email.

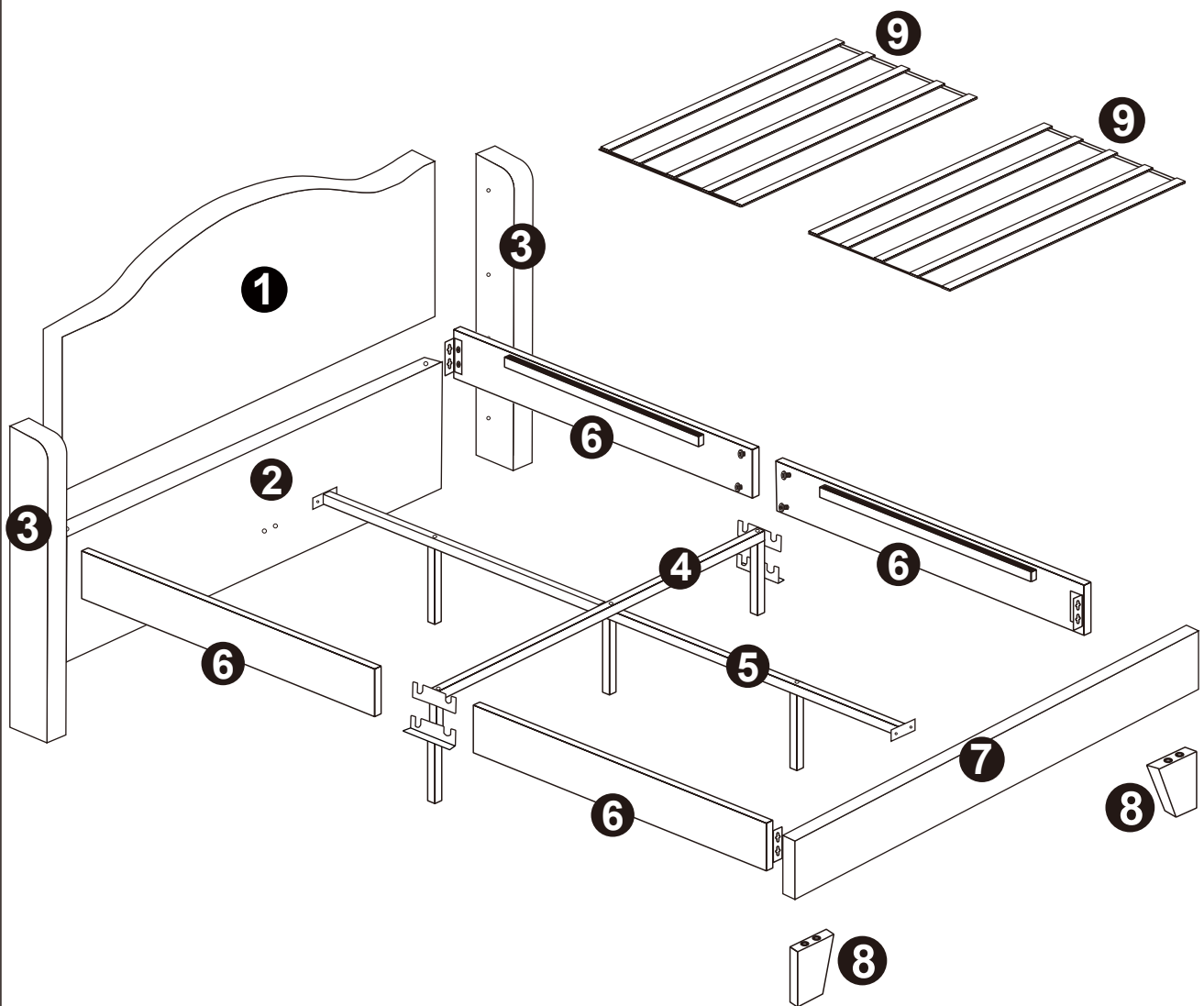


IMPORTANT NOTE

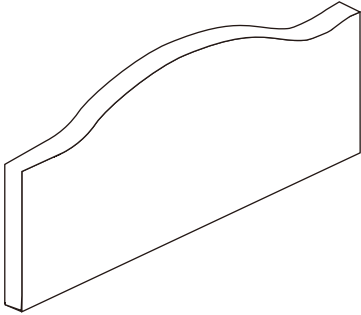
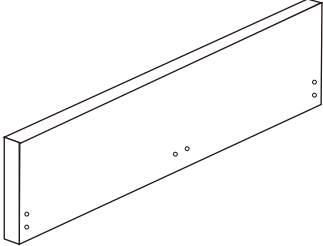
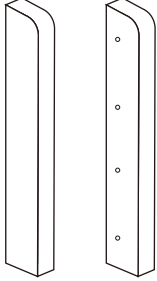
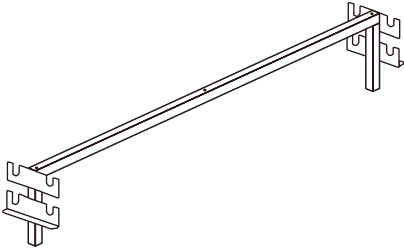
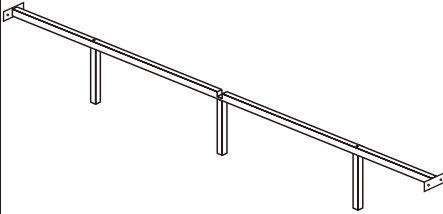
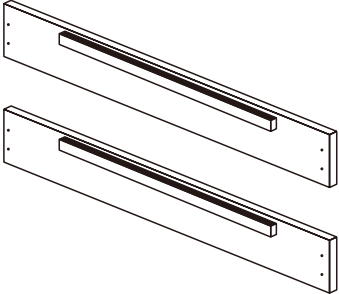
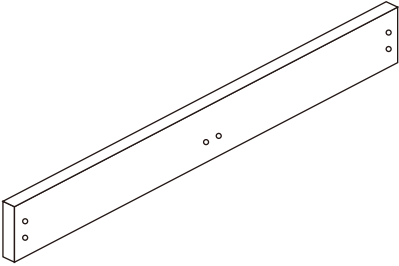
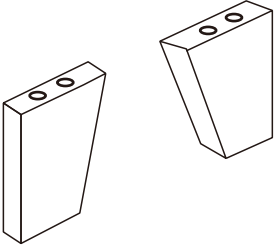
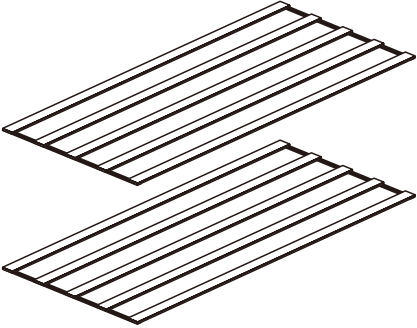
1. Please check that all parts are complete before installation.
2. Please strictly follow the installation steps to install.
3. Please install the bed on a clean and smooth surface to prevent any damage.
4. Please don't sit/stand/lie on the slats until the mattress is in place.
5. Please periodically check all the fittings and re-tighten as necessary.
6. Please do not use the bed unless all bolts and screw are firmly secured.
7. Please contact us if you need any help, we will reply you as soon as possible

Important tips:

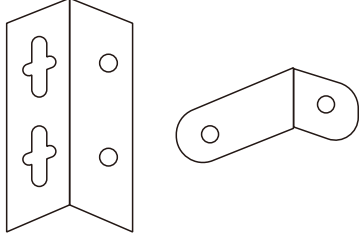
Don't tighten the screws first, make sure all parts are installed before tightening the screws.



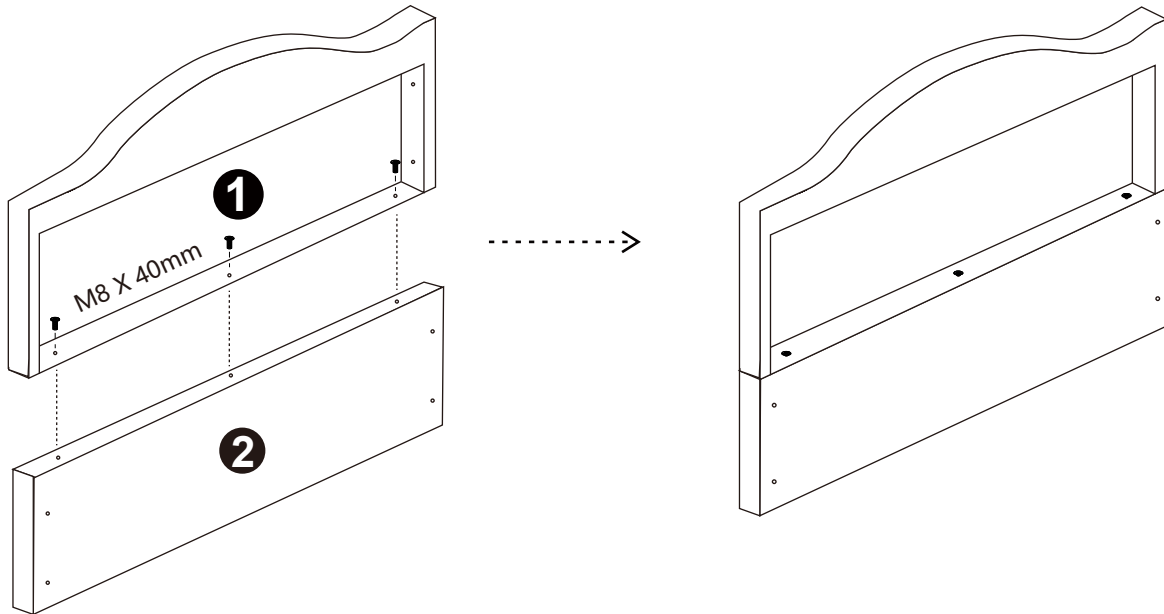
PART LIST

<p>(1) Upper headboard x 1pcs</p> 	<p>(2) Lower headboard x 1pcs</p> 	<p>(3) Wingback x 2pcs</p> 
<p>(4) Transverse center x 1pcs</p> 	<p>(5) Center support bar x 1pcs</p> 	<p>(6) Side panel x 4pcs</p> 
<p>(7)Footboard x 1pcs</p> 	<p>(8) Bed Foot x 2pcs</p> 	<p>(9) Slat x 2pcs</p> 

PART LIST

<p>Bolt M8x20mm x36pcs Bolt M8x45mm x 5pcs</p>   <p>Bolt M8x40mm x 7pcs Bolt M8x70mm x 4pcs</p>   <p>Bolt M8x20mm Spare parts x 1pcs Bolt M8x40mm Spare parts x 1pcs Bolt M8x45mm Spare parts x 1pcs Bolt M8x70mm Spare parts x 1pcs</p>	<p>(H5) Allen Key M8 x1pc (Installation tool)</p> 	<p>Gasket</p> 
---	---	---

Step 1 Join the upper headboard (1) and the lower headboard (2) together, and then tighten with (M8 X 40MM) screws.

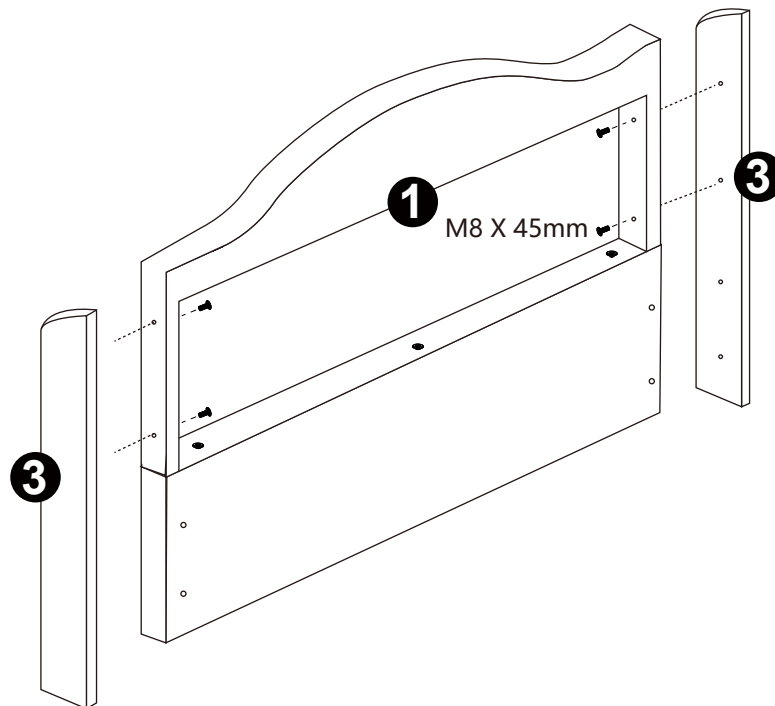


M8 X 40mm



X 3

Step 2 Connect the wingback (3) and the upper headboard (1), then tighten with (M8 X 45MM) screws from the inside.

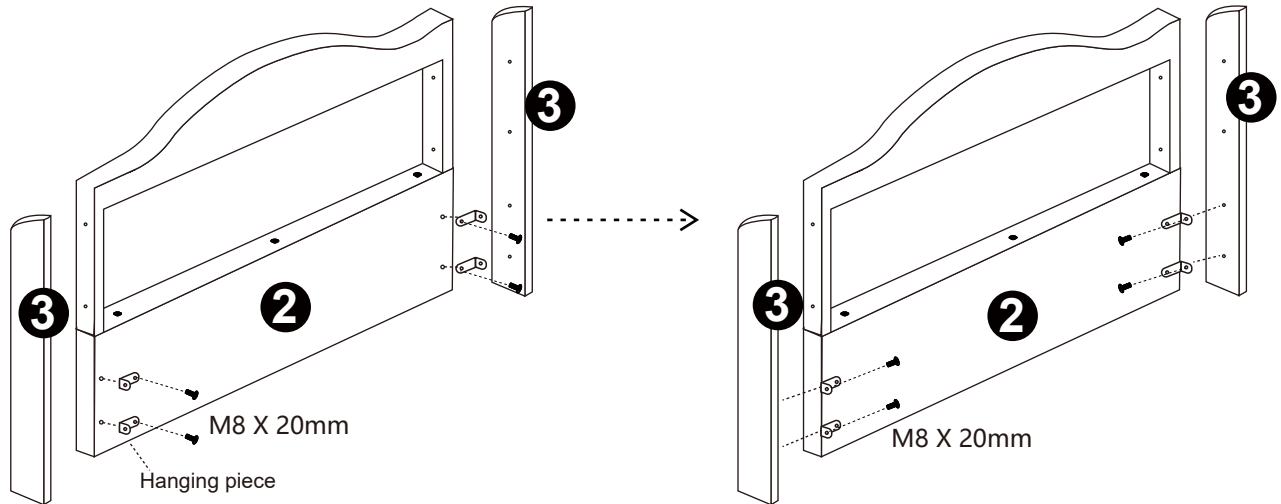


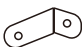

M8 X 45mm



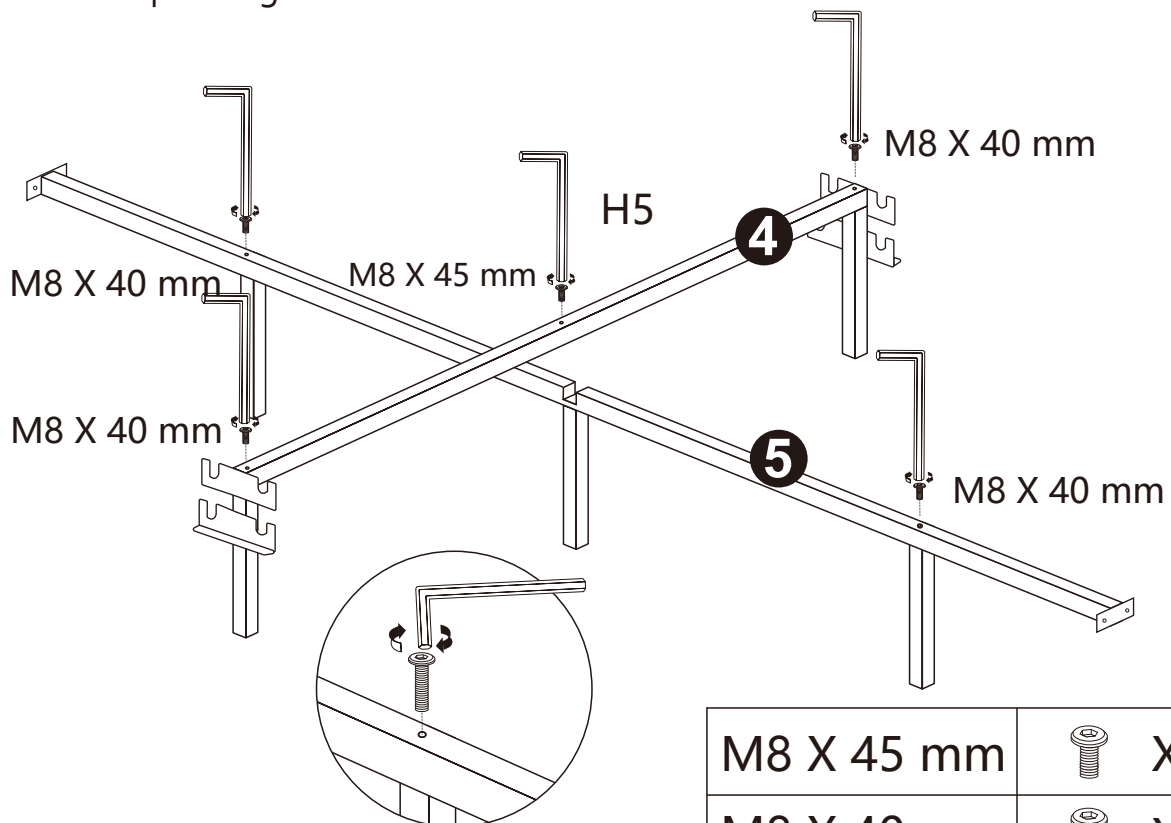
X 4



Step 3 Connect the lower headboard (2) and the wingback (3) with the (Gasket) and tighten the screws.



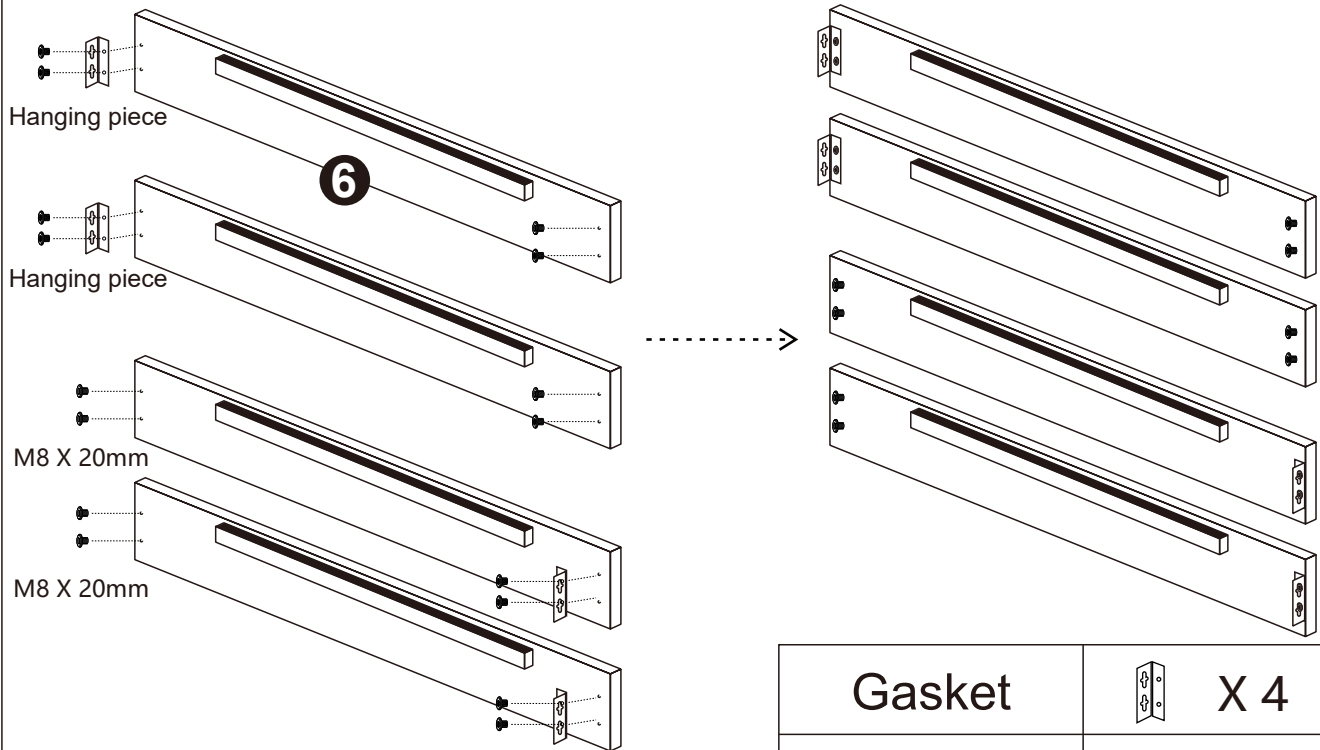
Gasket	 X 4
M8 X 20mm	 X 8

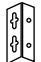

Step 4 Unfold part (4) and part (5), place part (4) on top of part (5), and tighten the corresponding screws.



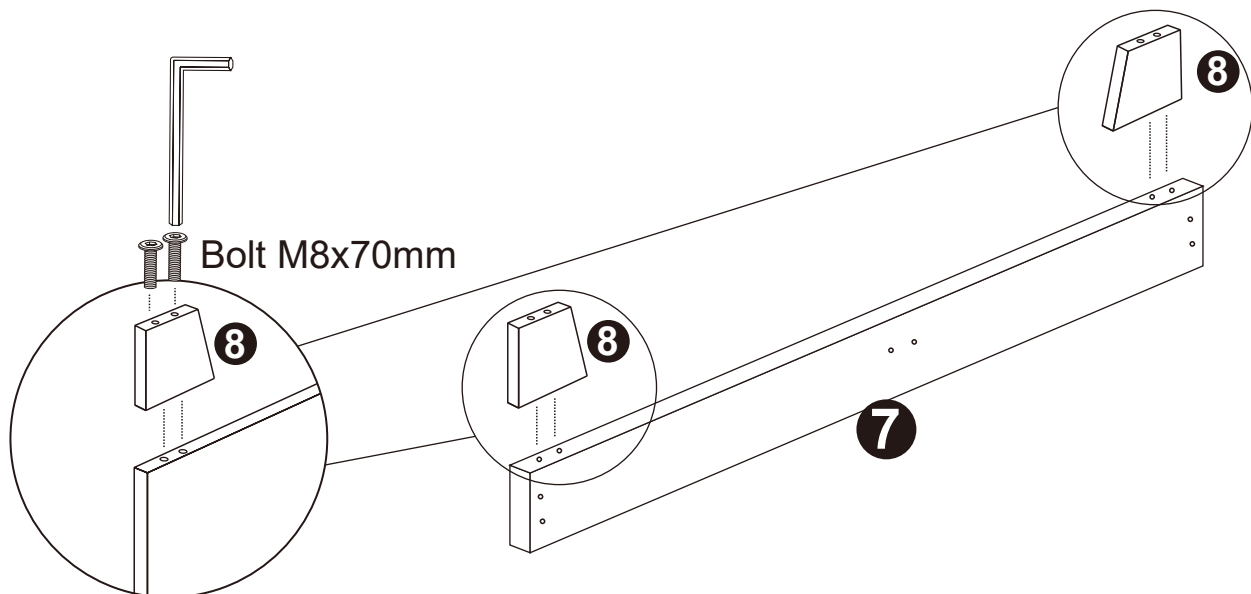
M8 X 45 mm	 X 1
M8 X 40 mm	 X 4

Step 5 The two bed side panels have (Gasket) on the left and screws on the right, and the other two bed side panels have (Gasket) on the right and screws on the left.



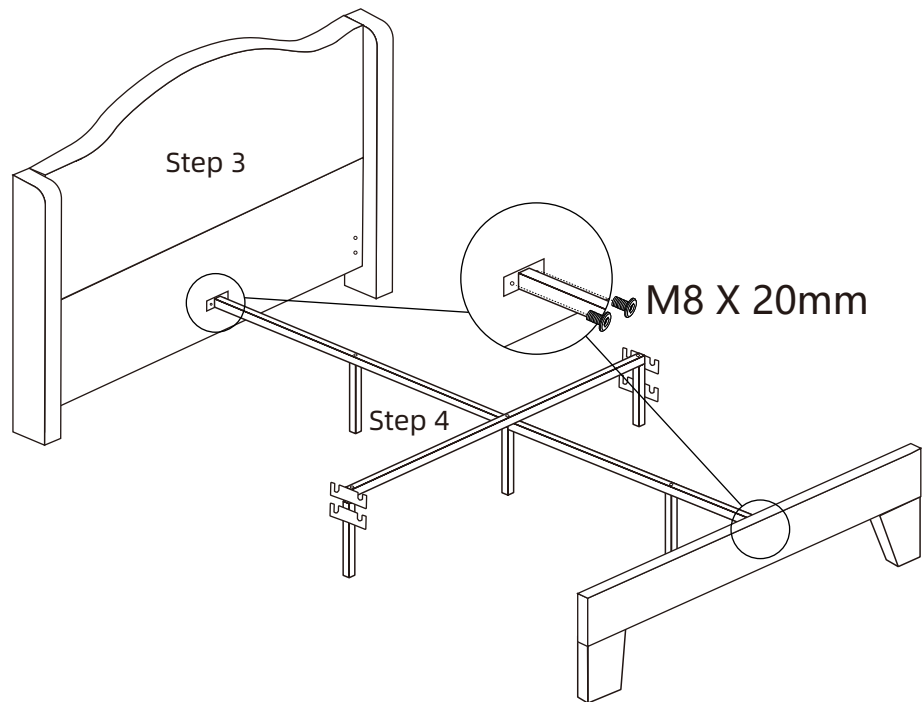
Gasket	 X 4
M8 X 20mm	 X 16

Step 6 Align the bed foot (8) to the holes on the footboard and tighten with (M8 X 70mm) screws.



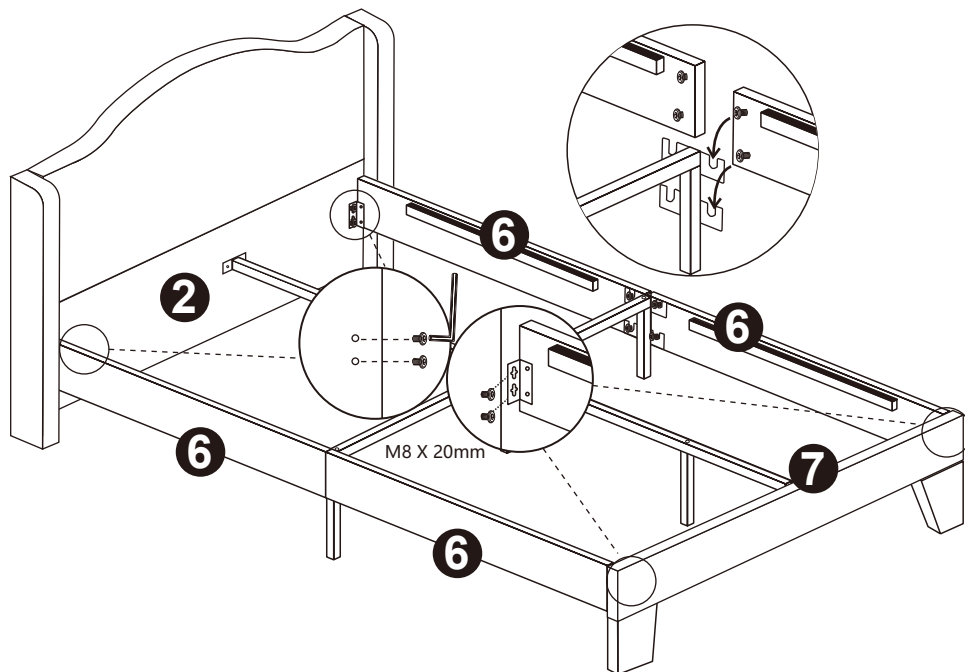
M8 X 70mm	 X 4
-----------	---

Step 7 Assemble the assembled parts in steps (3), (4) and (6) as shown in the figure below and tighten with (M8 X20mm) screws.



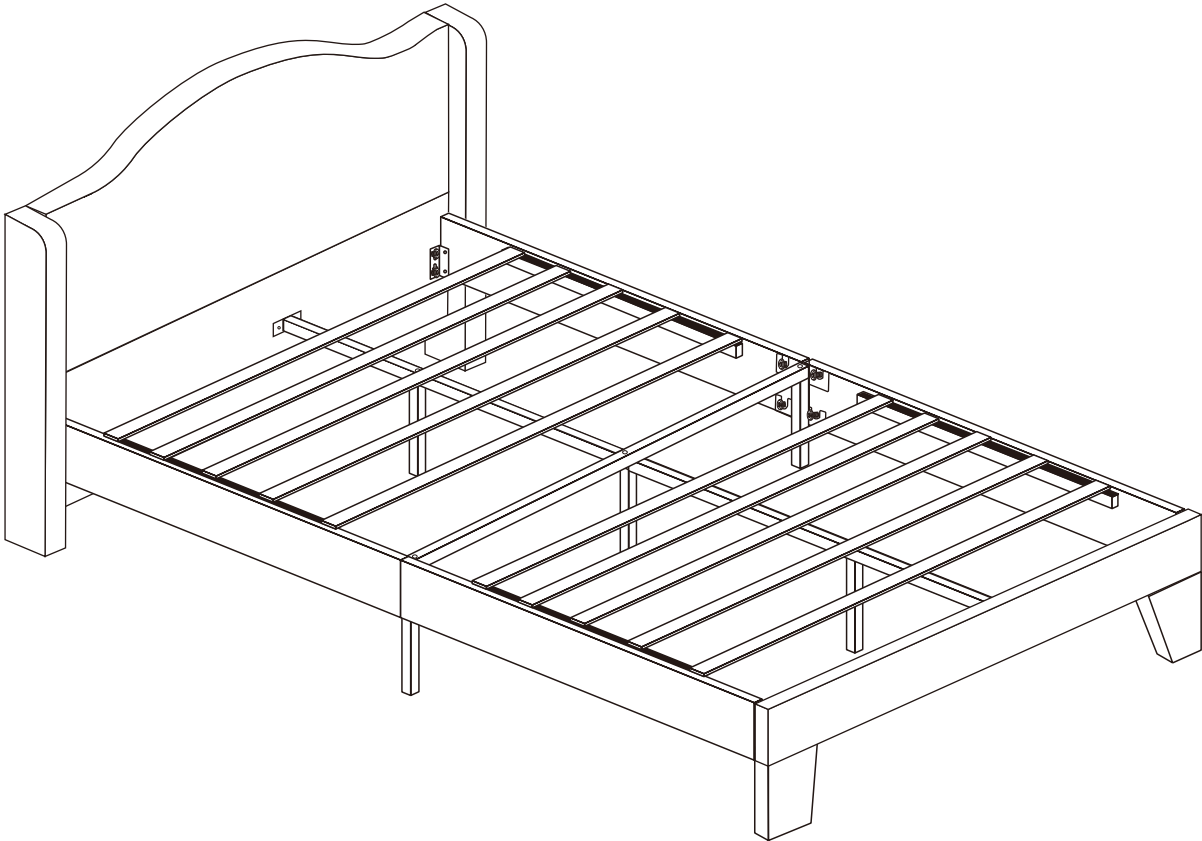
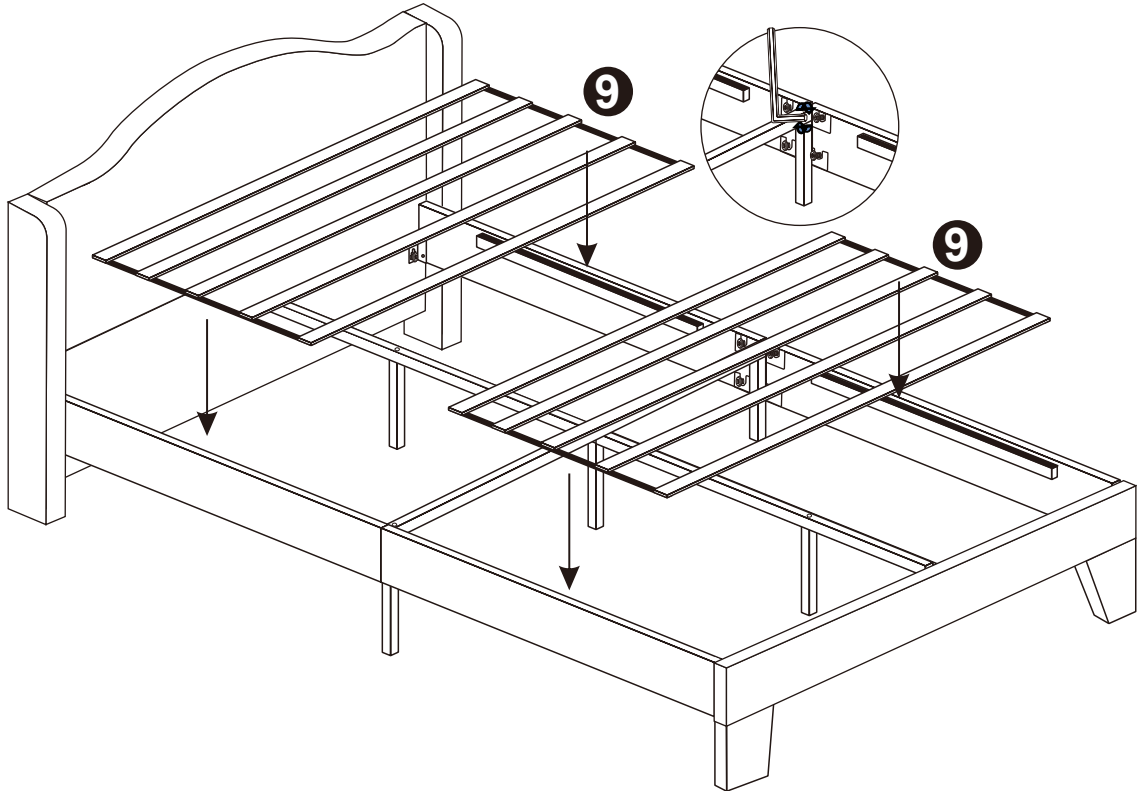
M8 X 20mm	 X 4
-----------	---

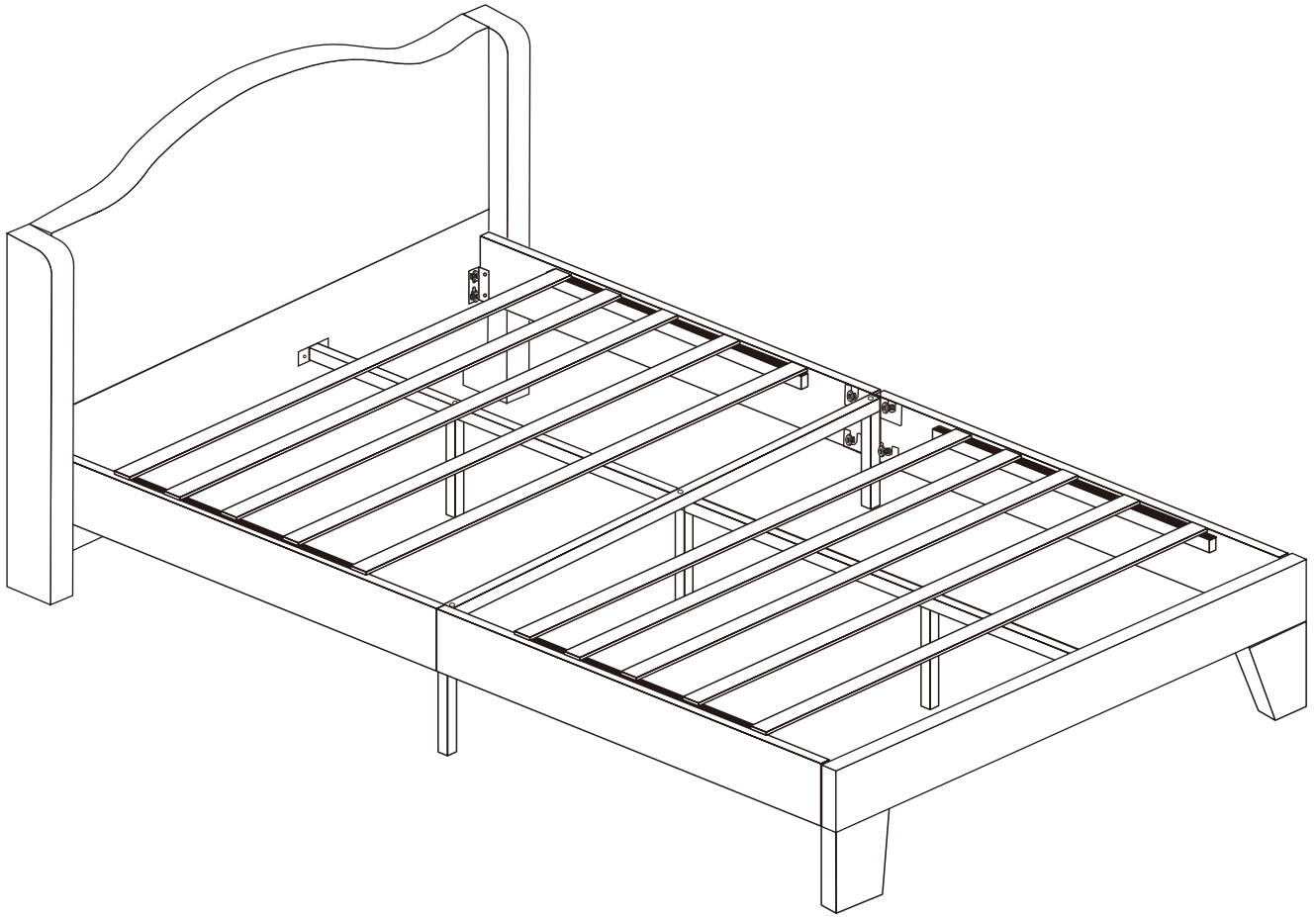
Step 8 First, gently screw each of the 8 (M8X20mm) screws into the lower headboard (2) and footboard (7), do not tighten. Then, install each of the 4 side panels (6) onto it.



M8 X 20mm	 X 8
-----------	---

Step 9 Tighten all screws and place the slats (9) on.





Job complete!

In the interest of our environment, please dispose
of all packaging thoughtfully, thanks!