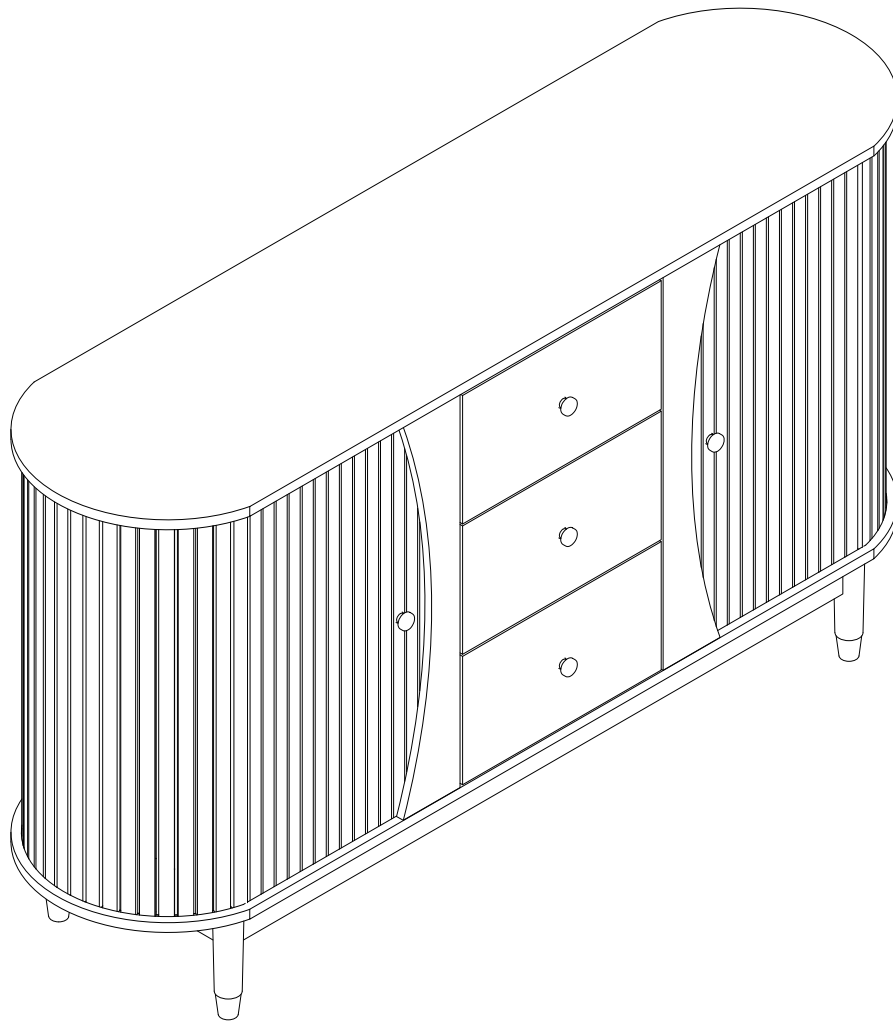


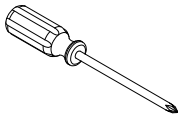
Installation Instruction



Assembling

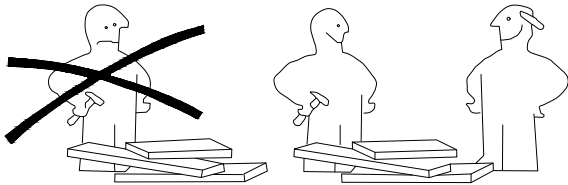
What you need

- Use the packaging carton as a working surface to prevent product damage during assembly
- Phillips head screwdriver



Weight Limitation

 **100** | **35**
lbs table top lbs per



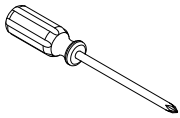
What' included

Code	Description	Qty
A	Cam Bolt M6X35MM	36
B	Cam Lock 15X9MM	36
C	Wooden Dowel M8X30MM	8
D	Screw M4X40MM	24
E	The screw M3.5X14MM	62
F	Can bolt M4X18MM	5
G	Metal shake handhandle	5
H	Shelf Holder	8
I	The screw M3.5X14MM	8
J	Vrench M4X55MM	1
K	The screw M6X40MM	8
L	Adjustable Leveler	2
M	The back button	12
N	Reinforced iron sheet	4
O	Thumbtack	4
P	Anchor	2
Q	Four hole iron sheet	2
R	Nylon Strap	2
S	Self-adhesive hole sticker	24
T	Spring washer	8

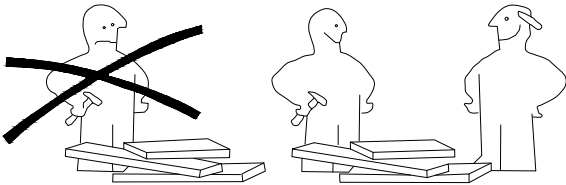
Assembling

What you need

- Use the packaging carton as a working surface to prevent product damage during assembly
- Phillips head screwdriver



Weight Limitation

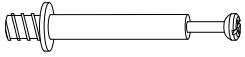


What' included

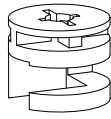
Code Description	Qty
U Gasket	8
CL Left mother extended orbit	3
CR Right mother extended orbit	3
DL Left public extension track	3
DR Right public extends track	3

The Hardwares

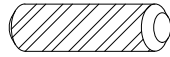
Ⓐ



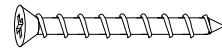
Ⓑ



Ⓒ



Ⓓ



Ⓔ



Ⓕ



Ⓖ



Ⓗ



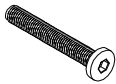
Ⓘ



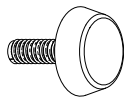
Ⓙ



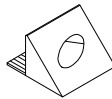
Ⓚ



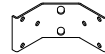
Ⓛ



Ⓜ



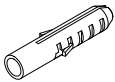
Ⓝ



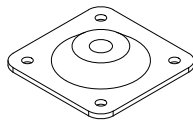
Ⓞ



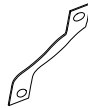
Ⓟ



Ⓠ



Ⓡ



Ⓢ



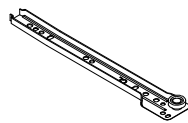
Ⓣ



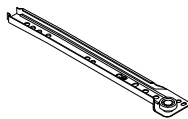
Ⓡ



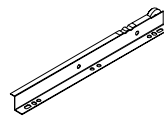
ⒸⓁ



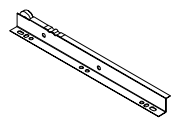
ⒸⓇ



ⒹⓁ



ⒹⓇ



IMPORTANT:

1. Do not tighten bolts / screws completely until all bolts / screws are lined up and inserted into holes.
2. Do not over tighten screws and bolts to avoid stripping
3. Please use hand tools to assemble this product, you can also use power tools (please use power tools carefully)

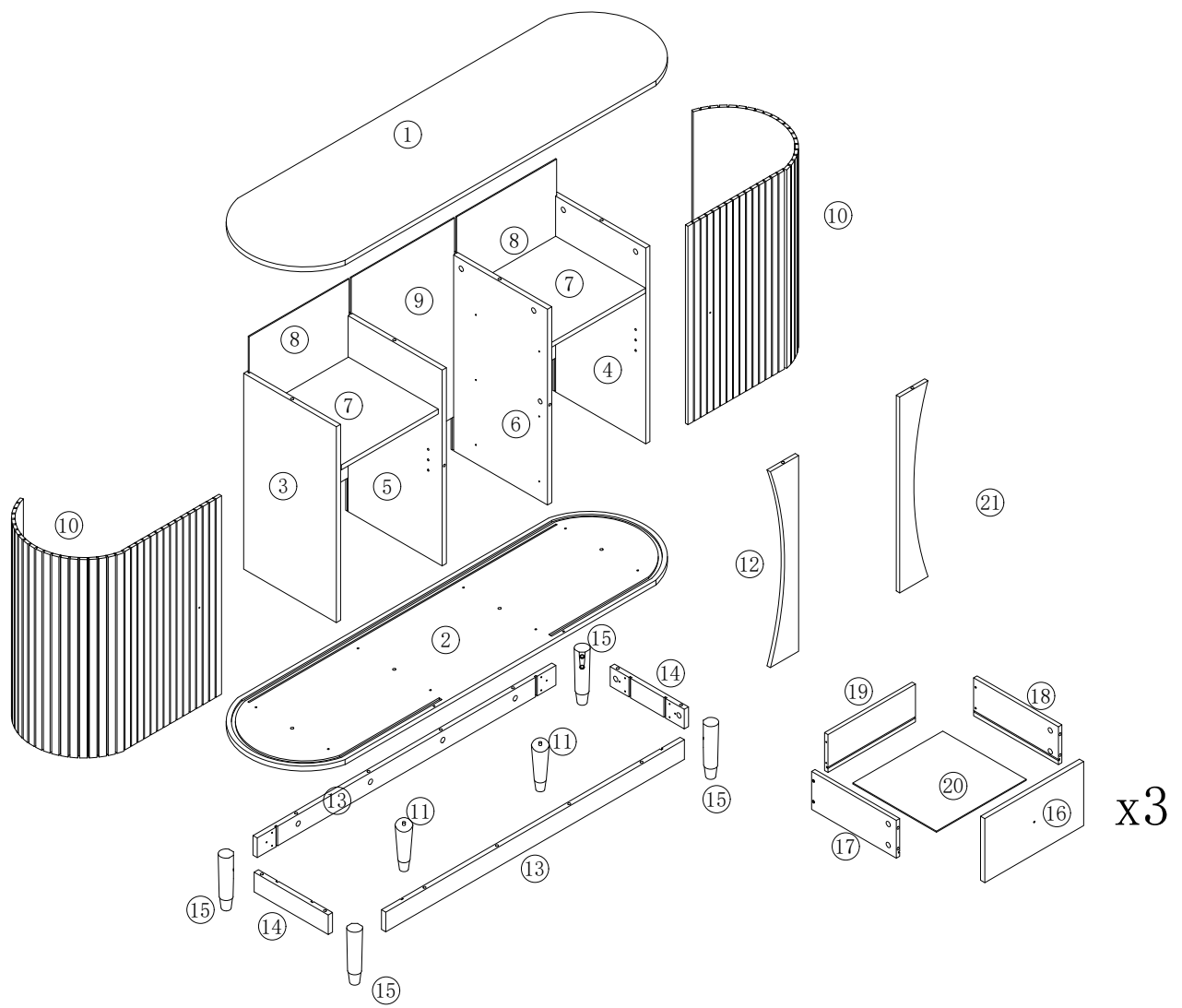
Included Accessories

Code	Description	Qty
1	Cabinet Top	1
2	Bottom Panel	1
3	Left Side Panel	1
4	Right Side Panel	1
5	Left median plate	1
6	Right center plate	1
7	Movable laminate	2
8	Left and right backplane	2
9	Intermediate backplane	1
10	Weather screen	2
11	Adjustable foot	2
12	Left trim panel	1
13	Long drain	2
14	Short drain	2
15	Supporting leg	4
16	Drawer panel	3
17	Drawer left panel	3
18	Drawer right side panel	3

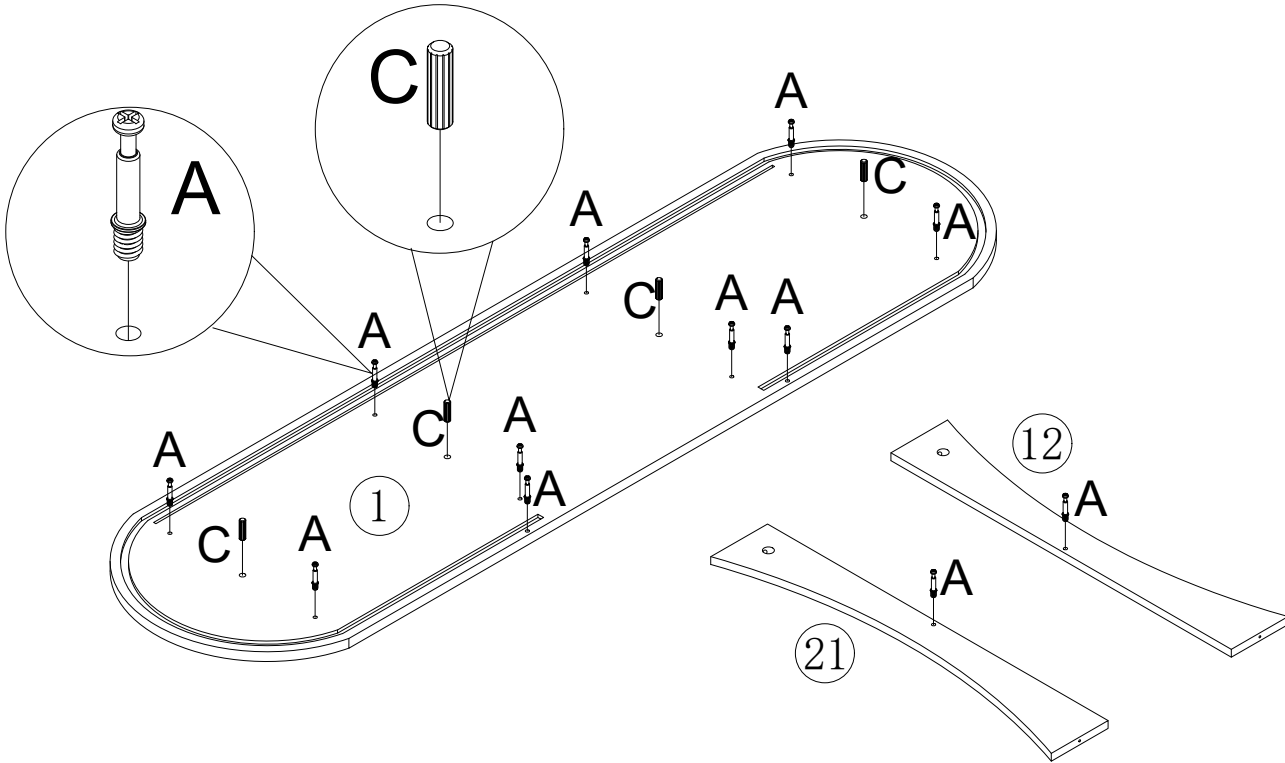
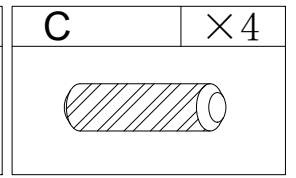
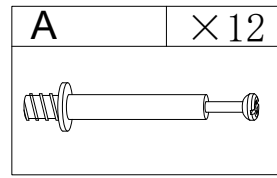
Included Accessories

Code	Description	Qty
19	After the drawer board	3
20	The drawer bottom	3
21	Right trim panel	1

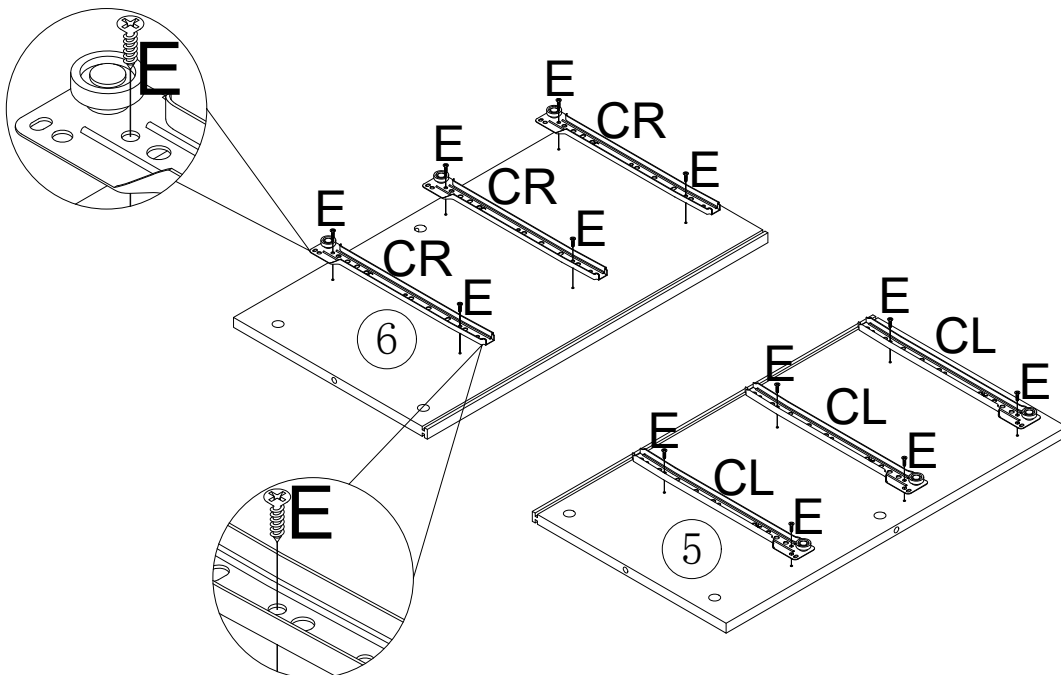
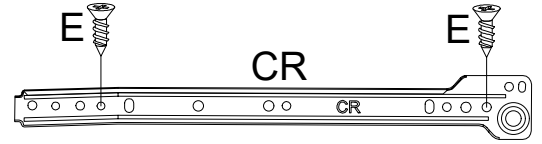
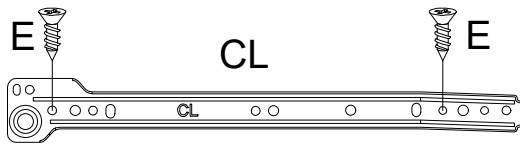
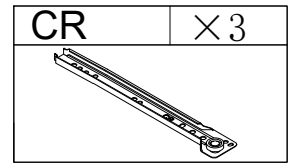
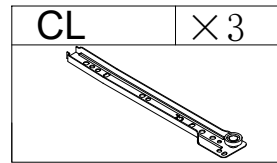
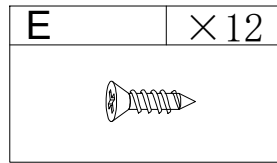
The Accessoriss



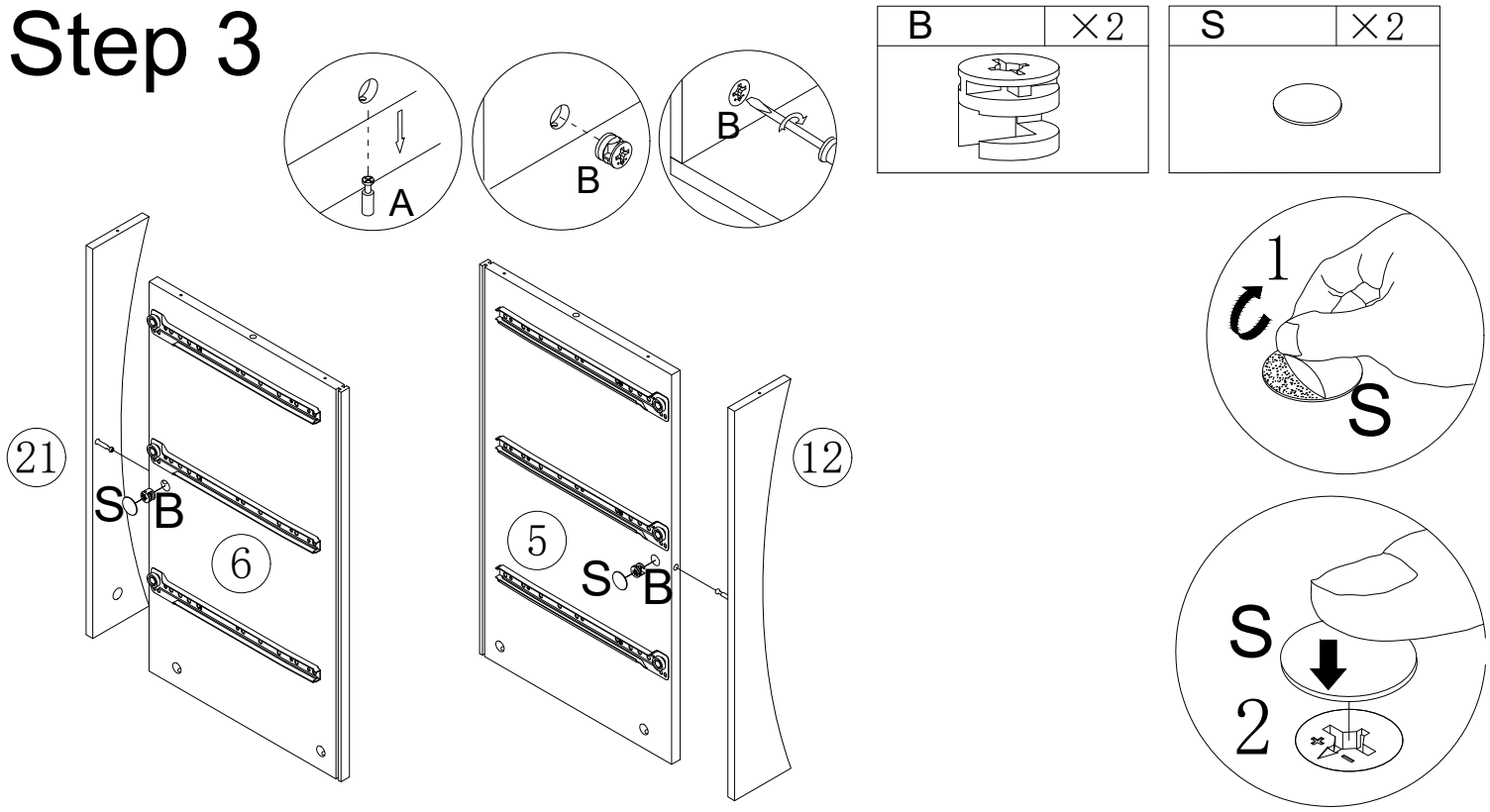
Step 1



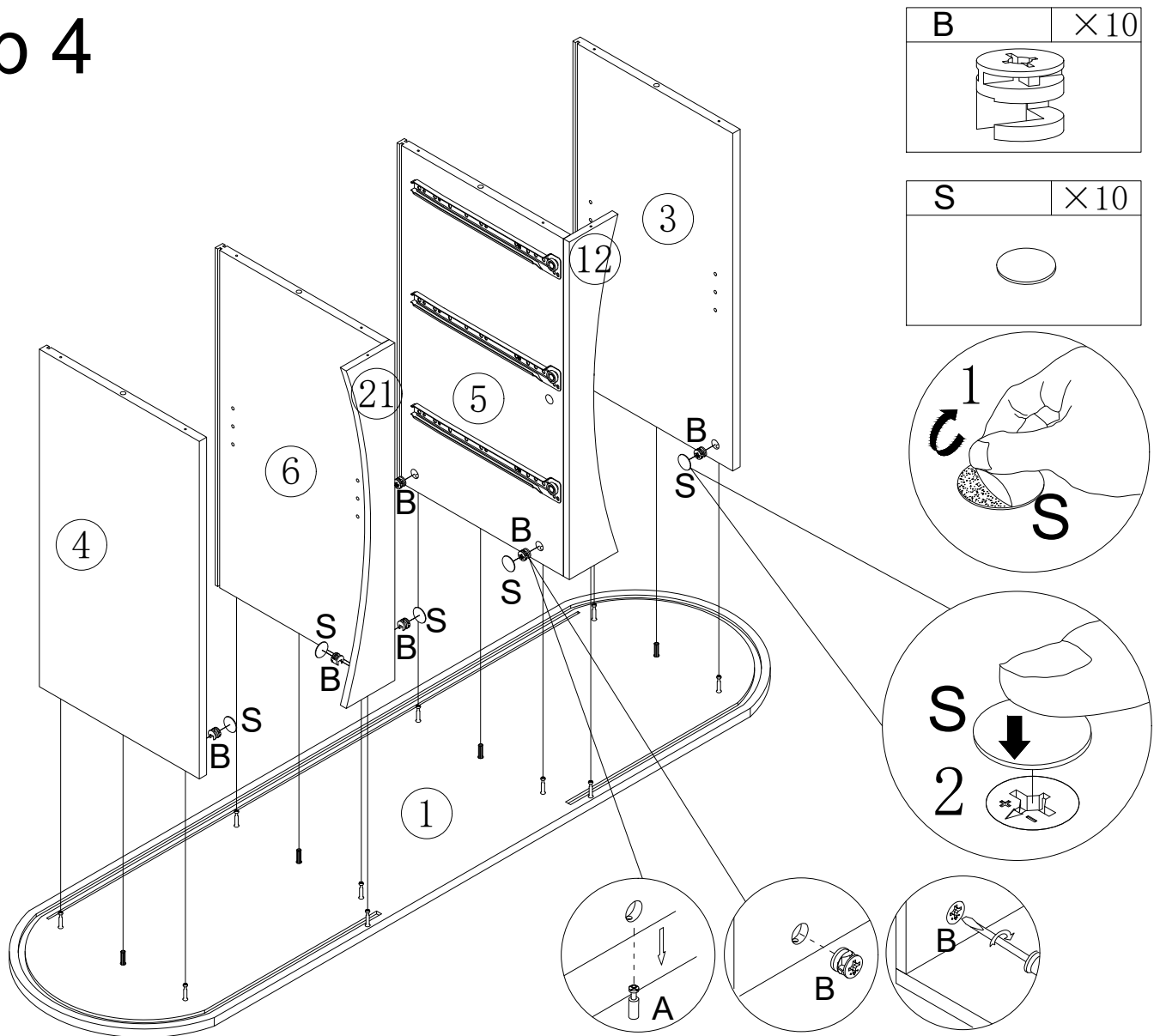
Step 2



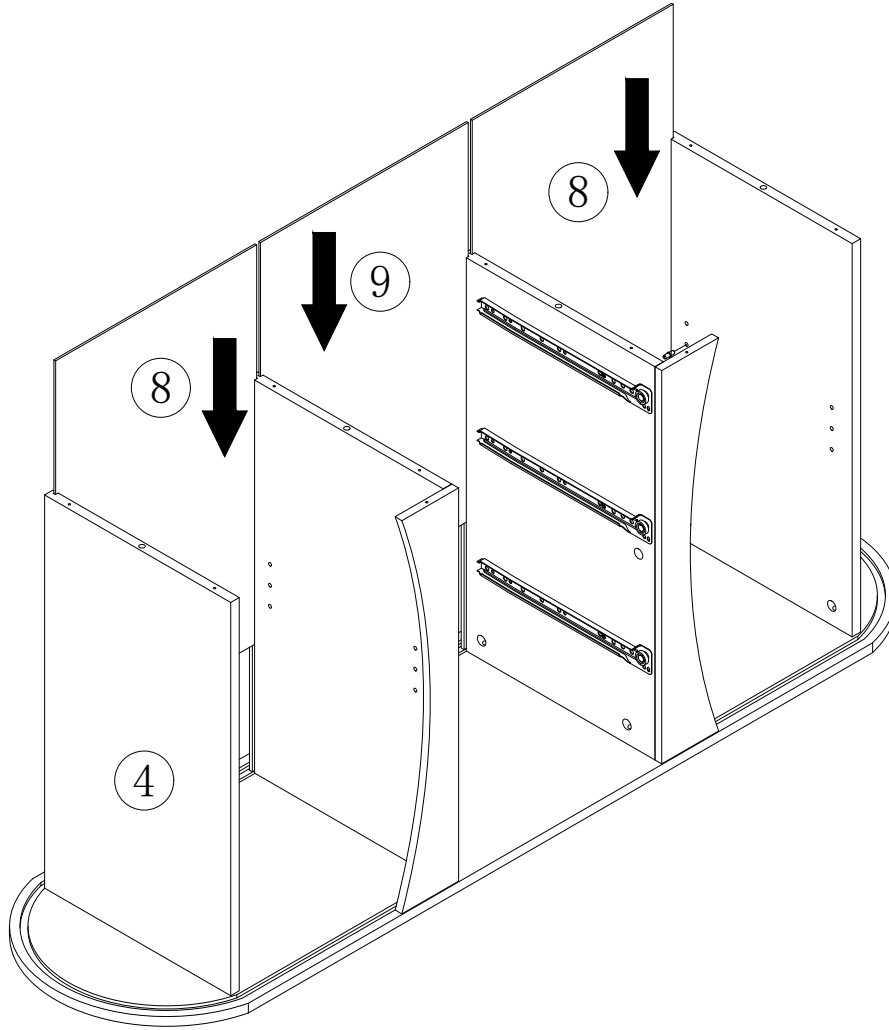
Step 3



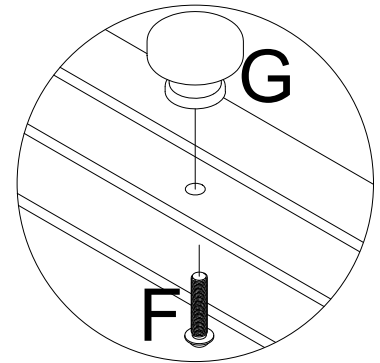
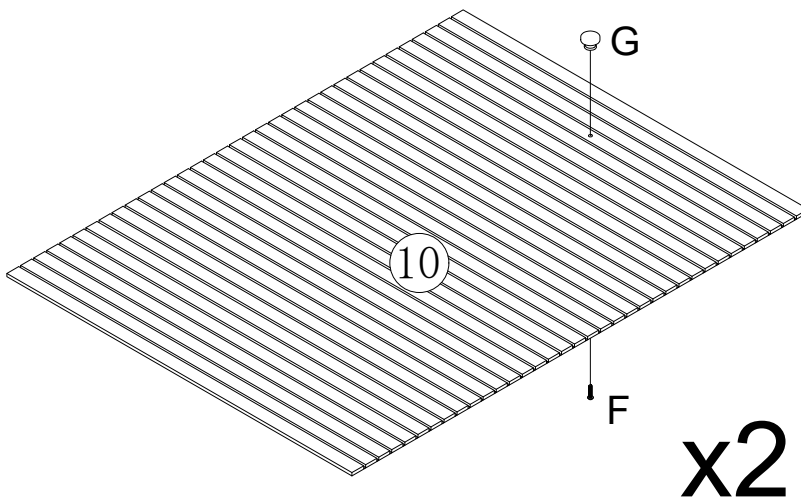
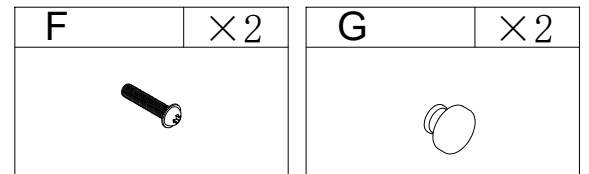
Step 4



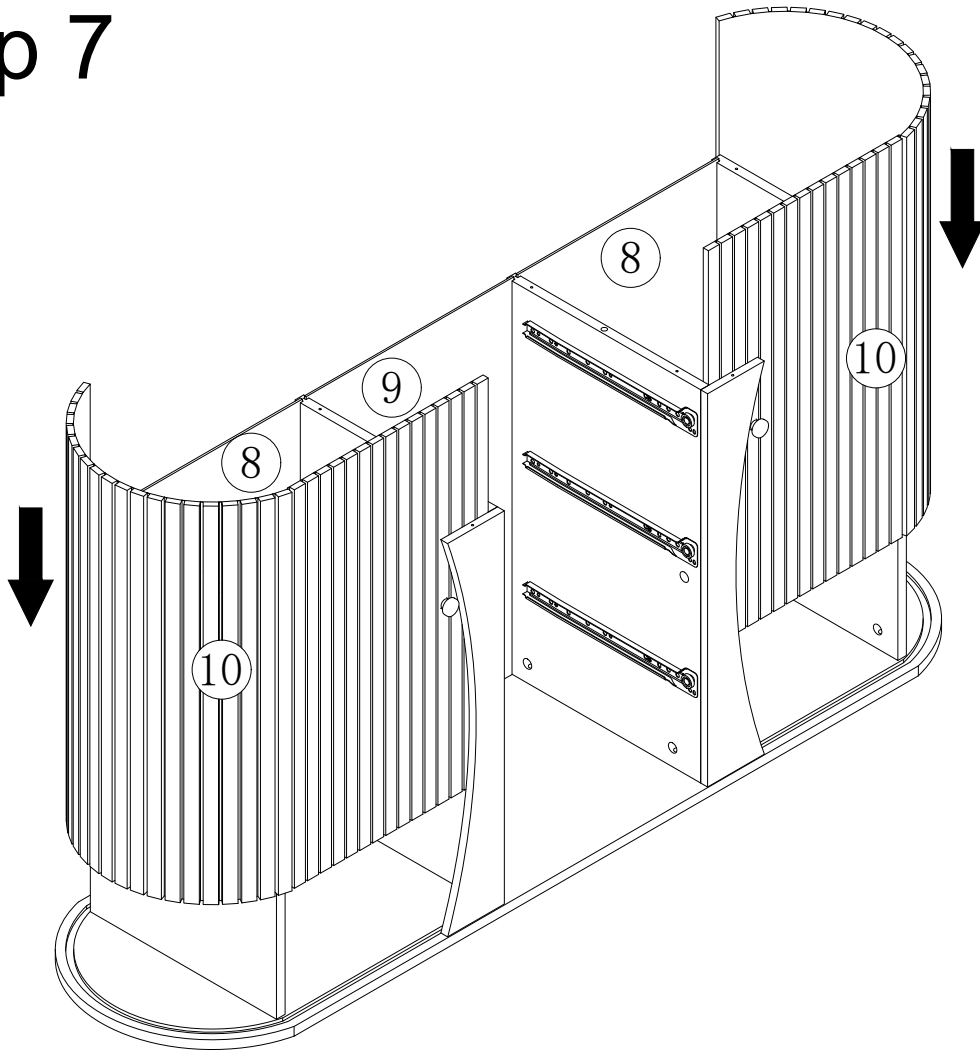
Step 5



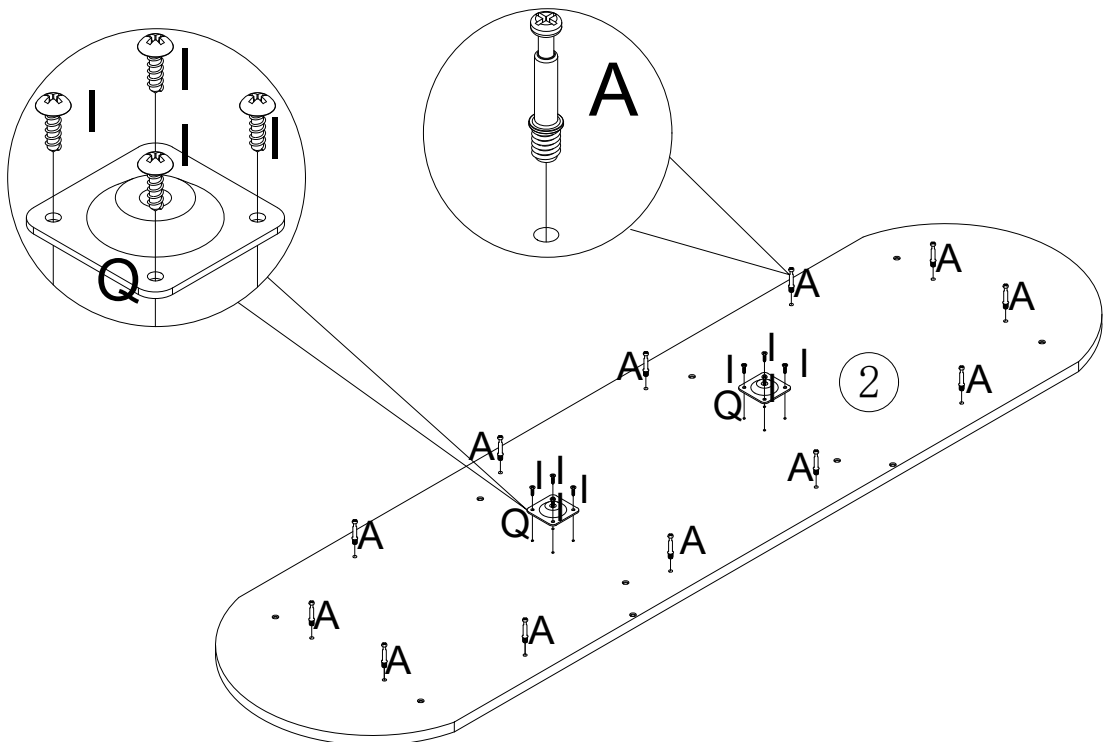
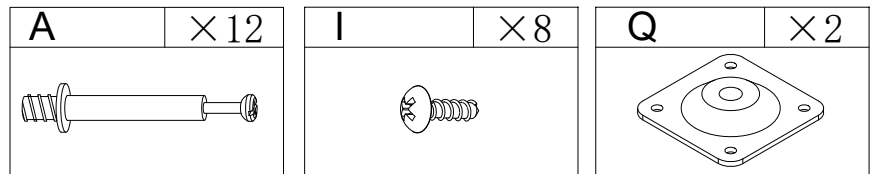
Step 6



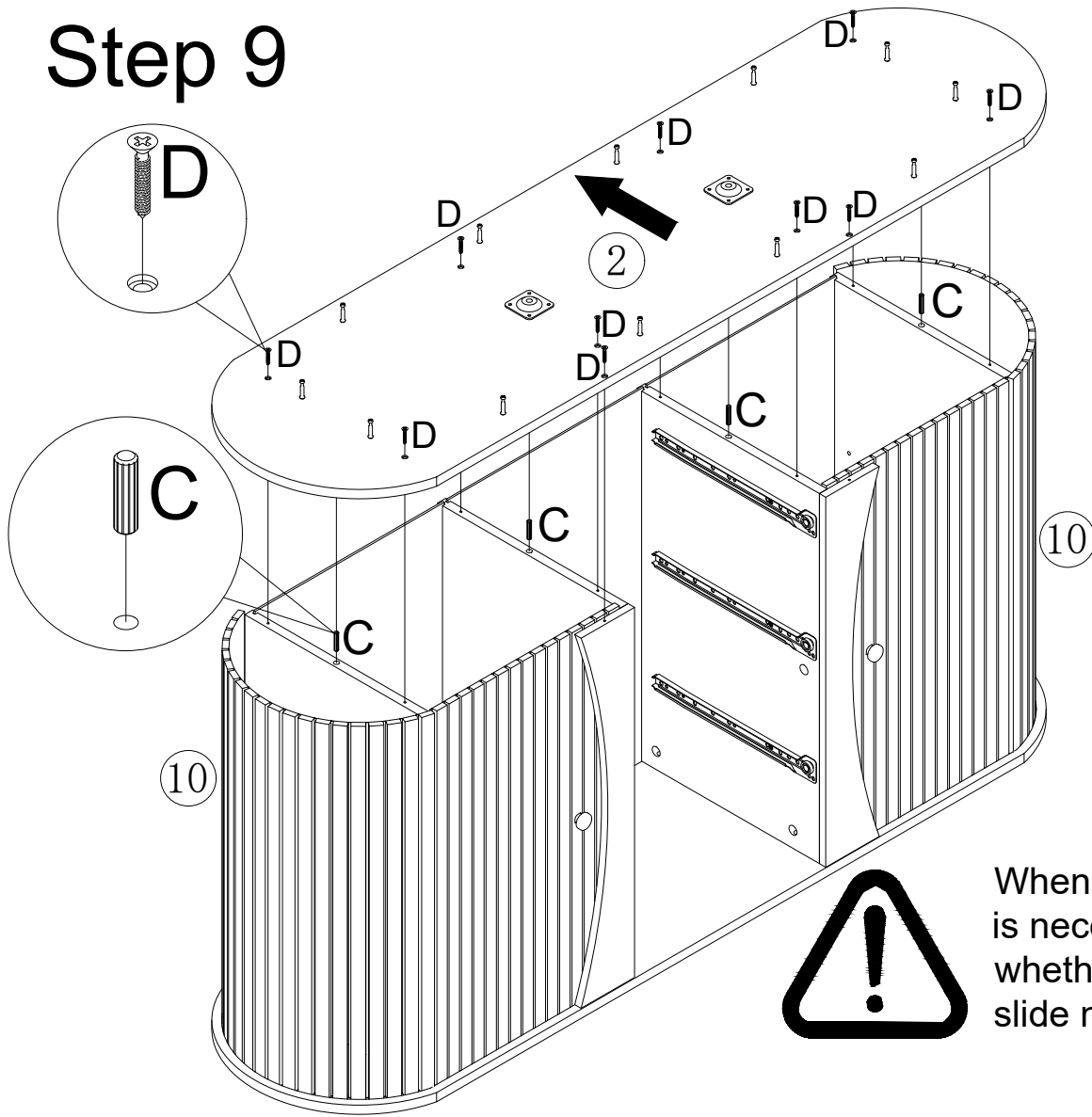
Step 7

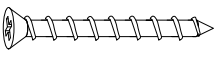



Step 8



Step 9



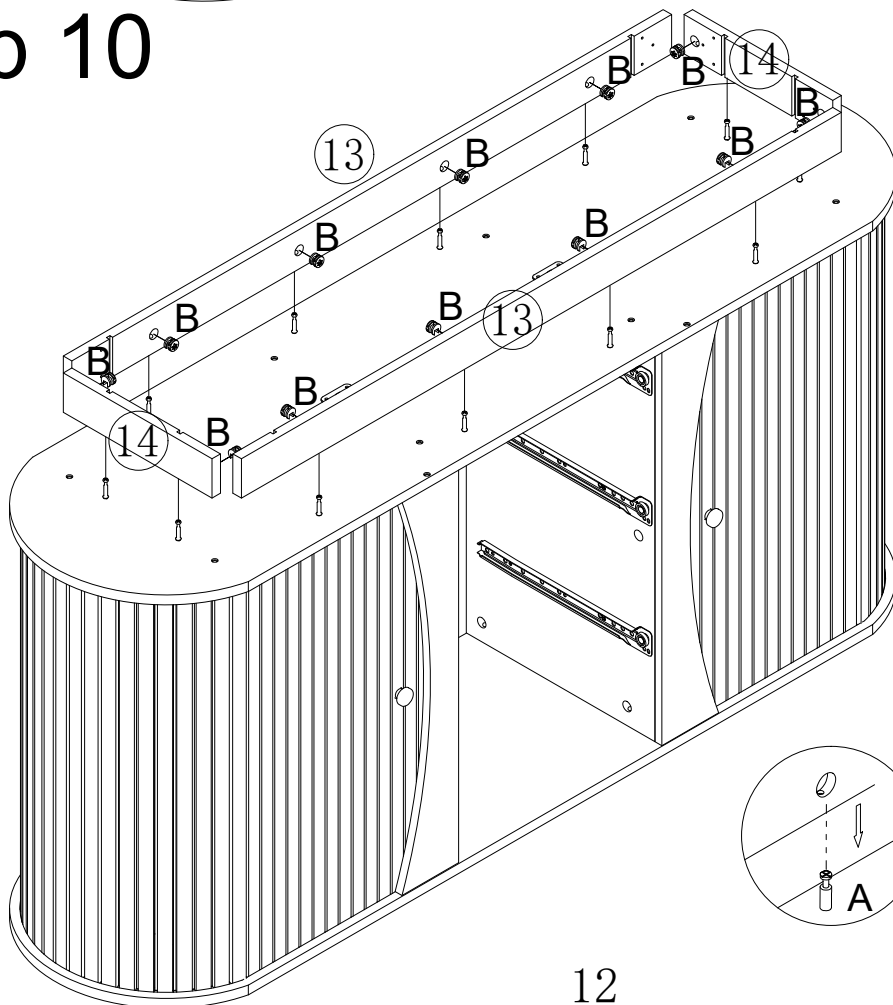
D	×10
	

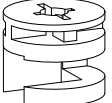
C	×4
	

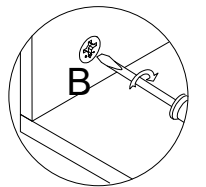
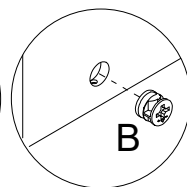
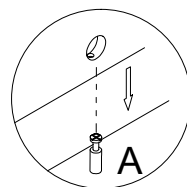


When fixing the plate 2, it is necessary to determine whether the plate 10 can slide normally.

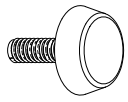

Step 10

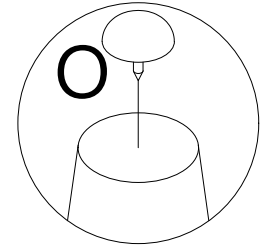
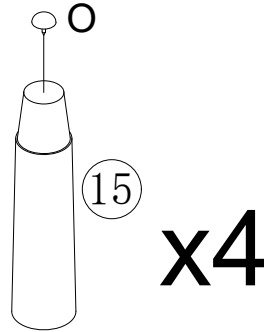
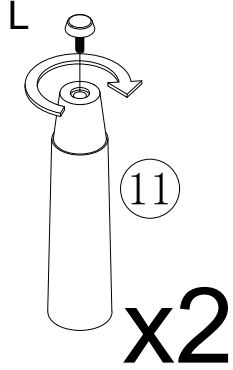
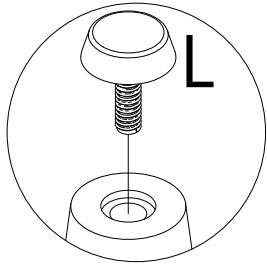


B	×12
	

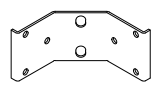



Step 11

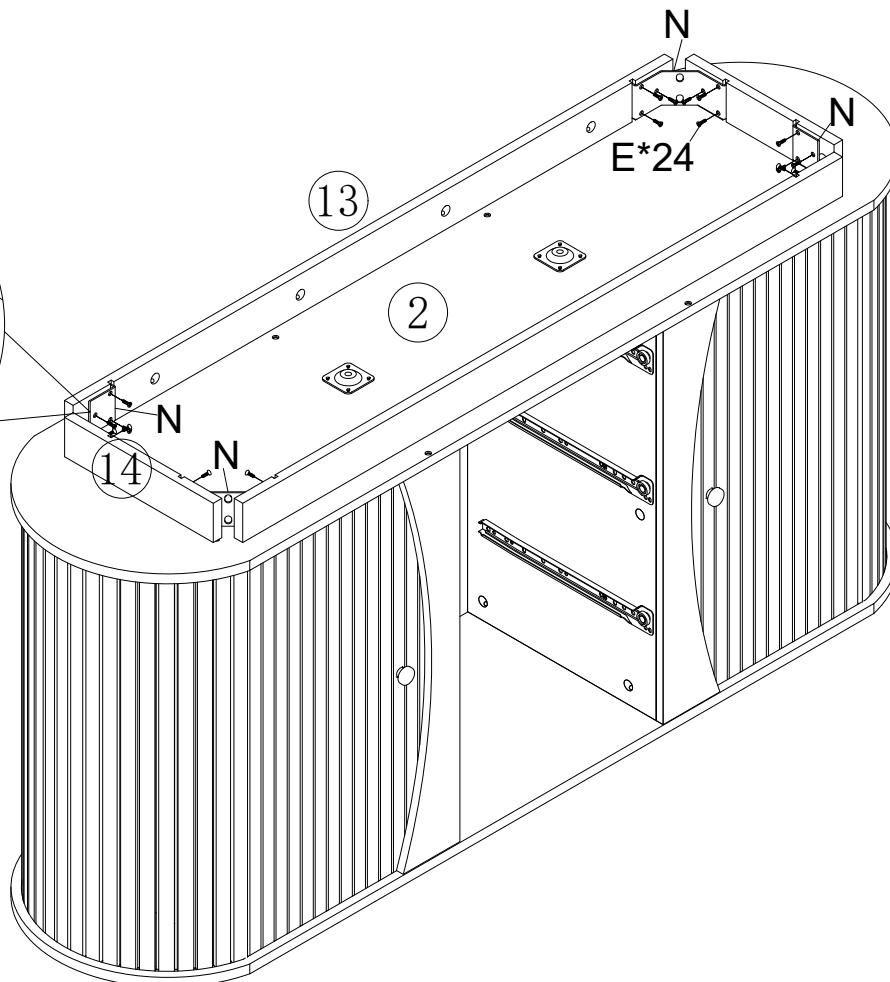
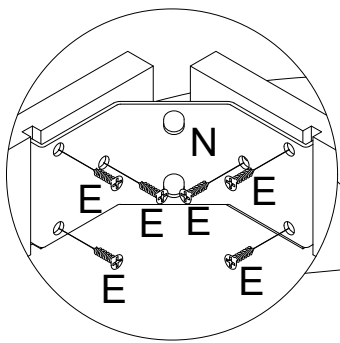
L	×2	O	×4
			



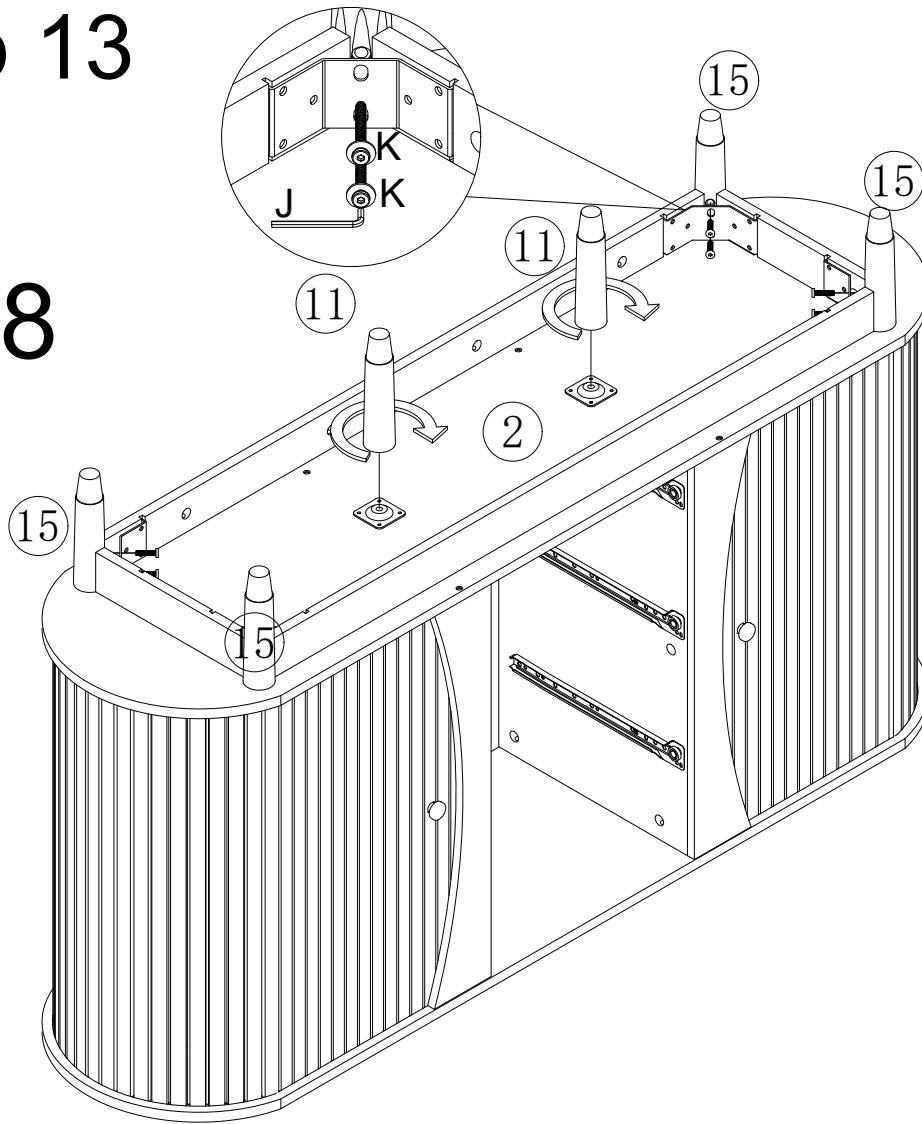
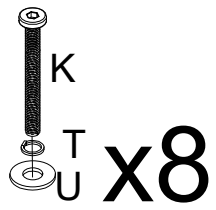
Step 12

N	×4
	

E	×24
	

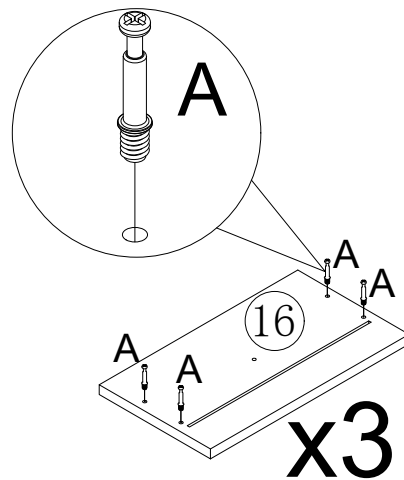


Step 13



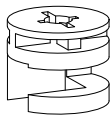

J	×1
K	×8
T	×8
U	×8

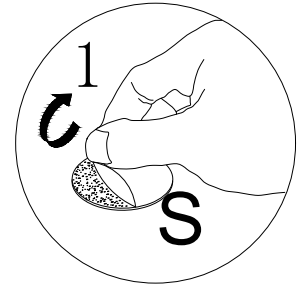
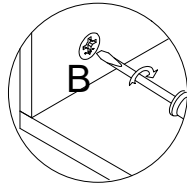
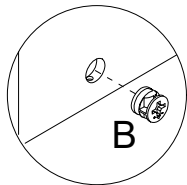
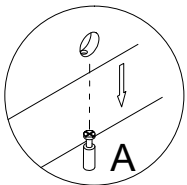
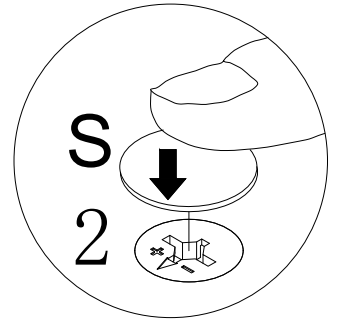
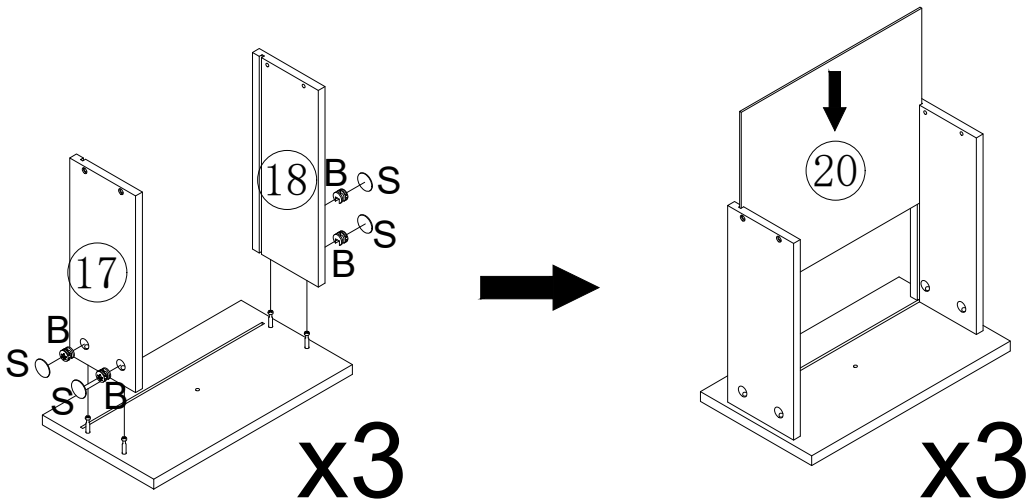
Step 14



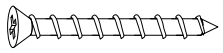
A	×12

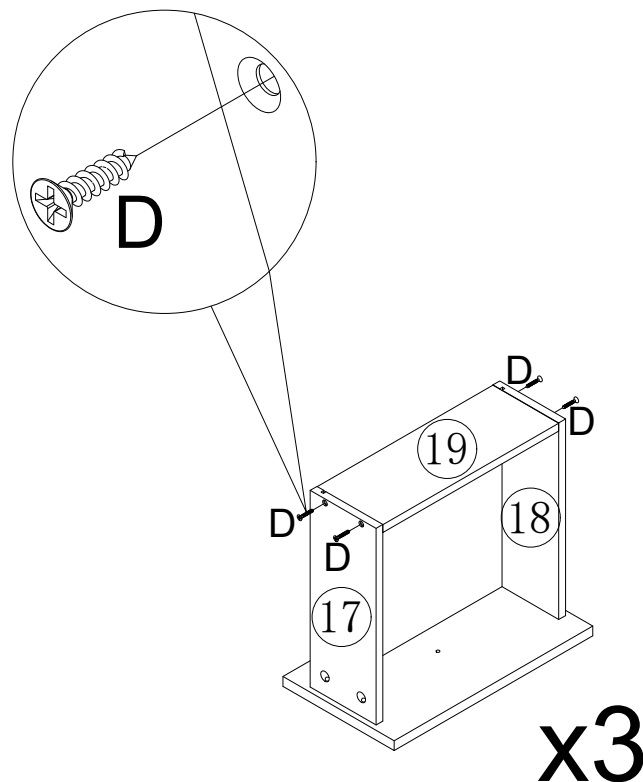
Step 15

B	×12	S	×12
			





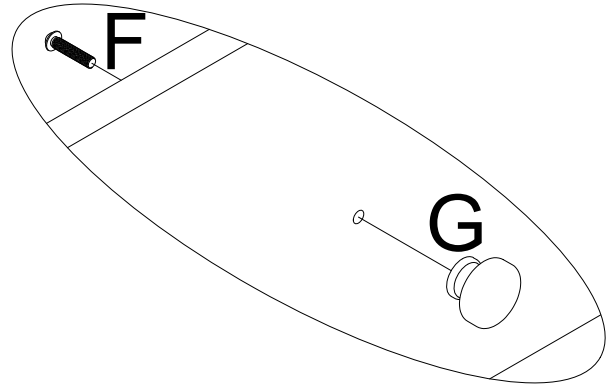
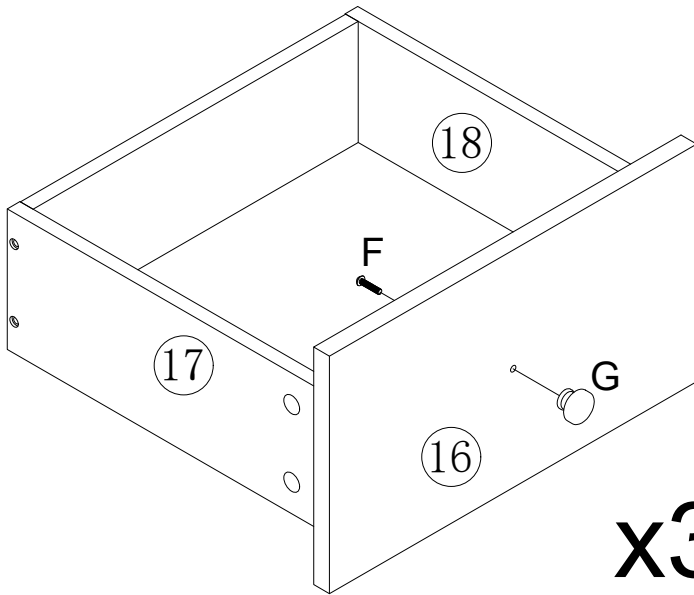
Step 16

D	×12
	




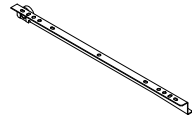
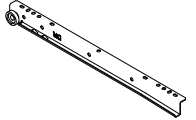
Step 17

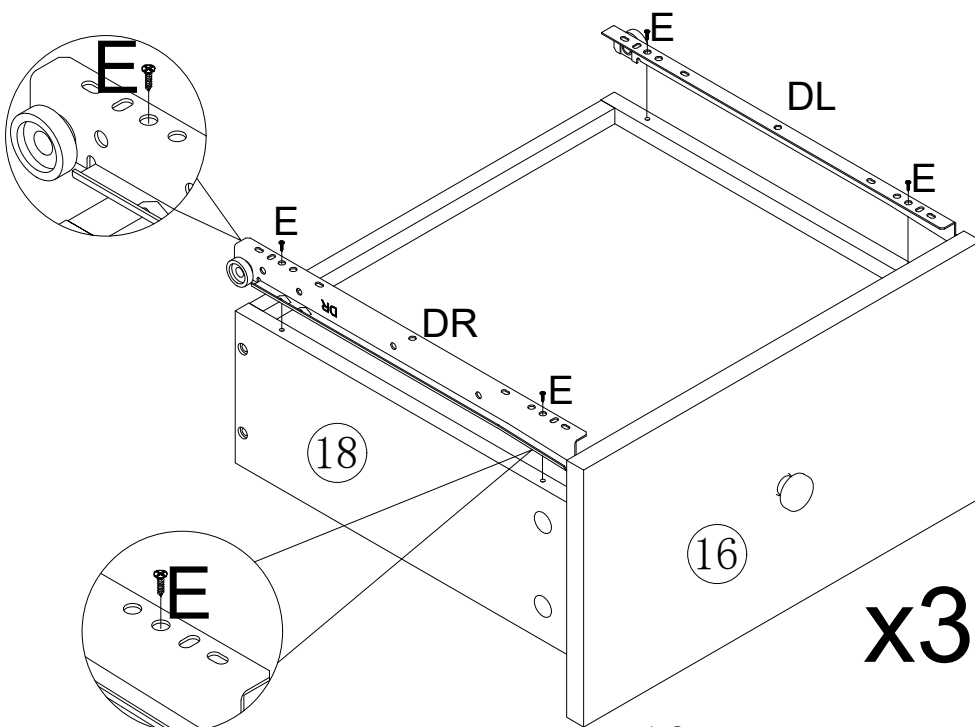
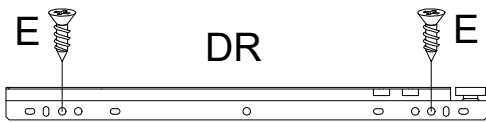
F	×3	G	×3
			



x3

Step 18

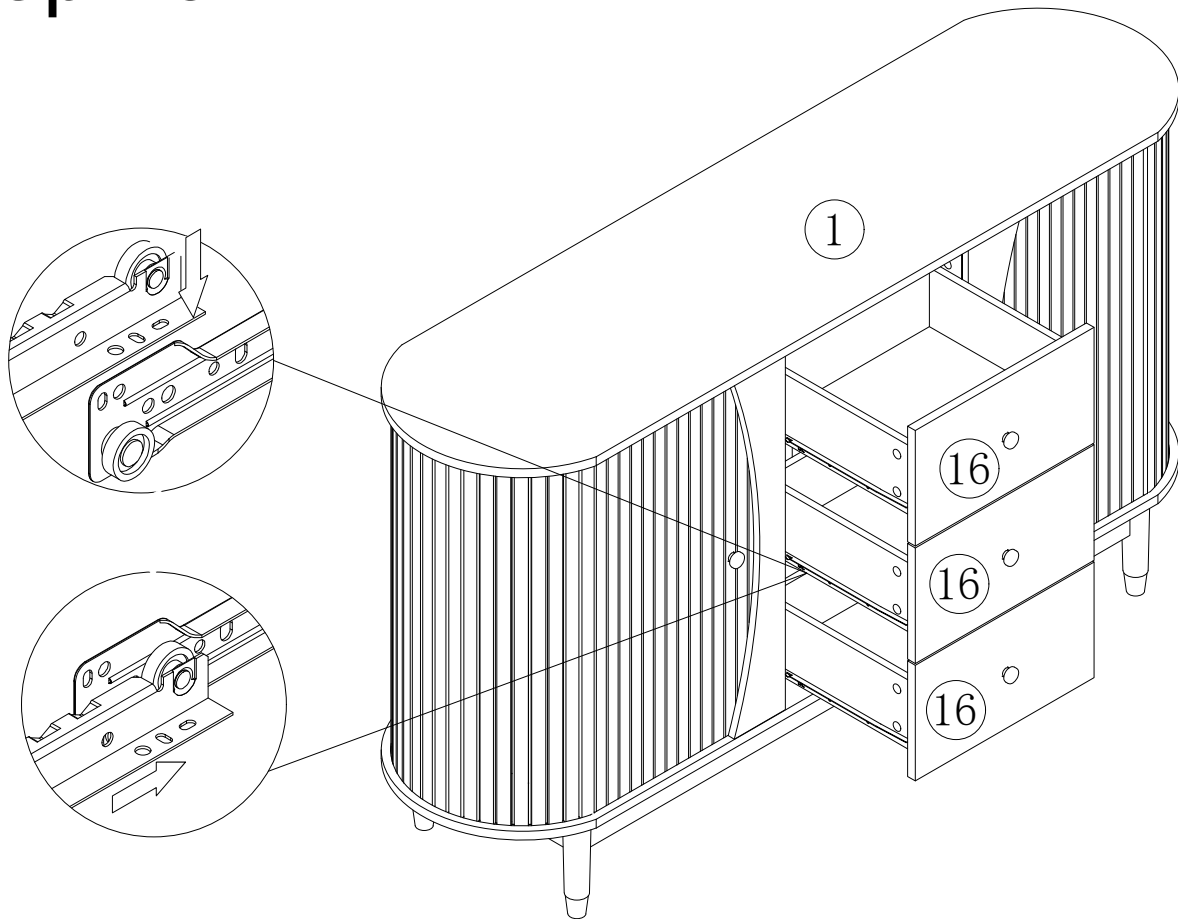
E	×12	DL	×3	DR	×3
					



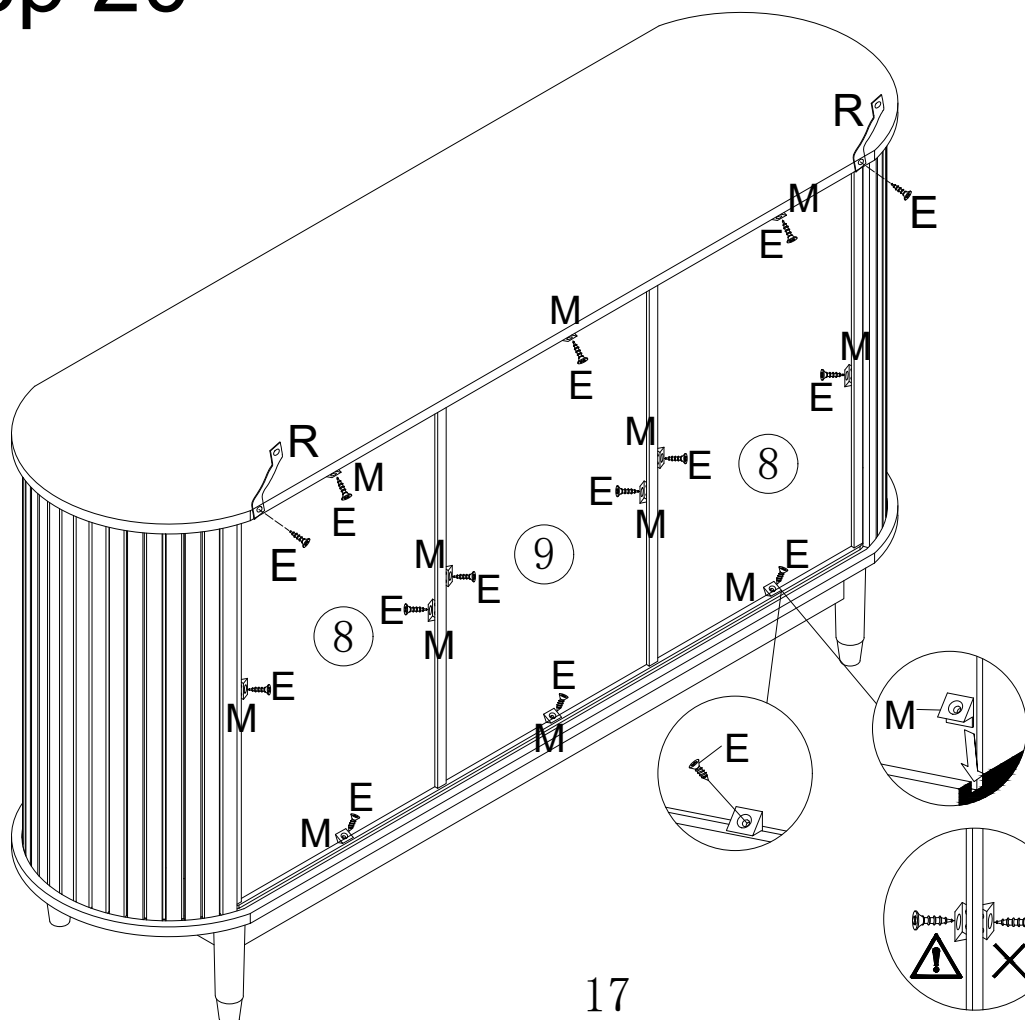
x3


16

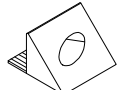
Step 19




Step 20

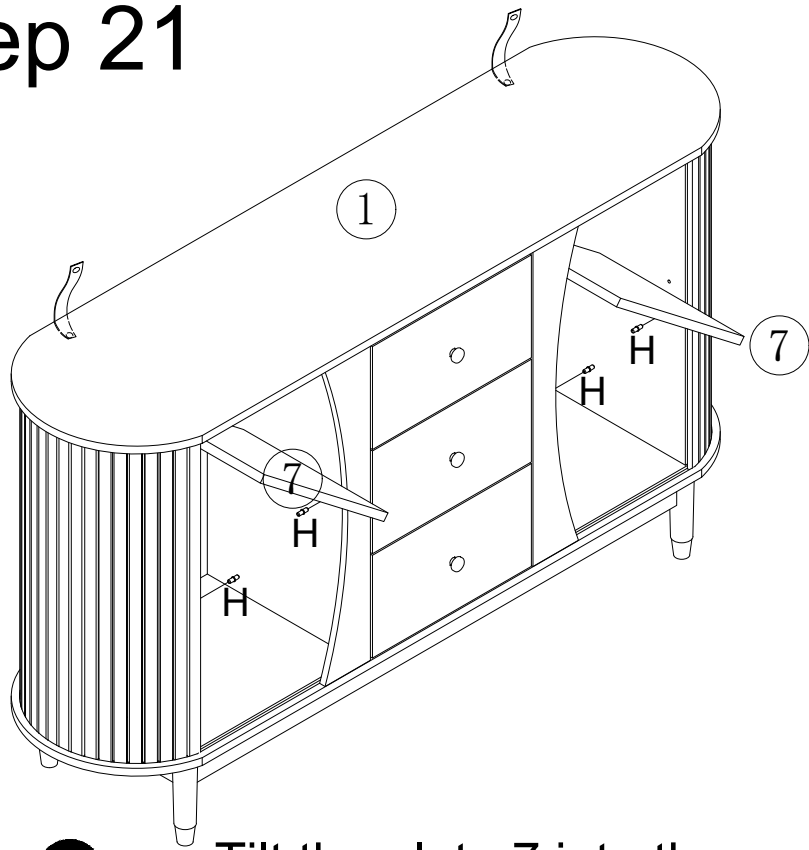



E	×14
	

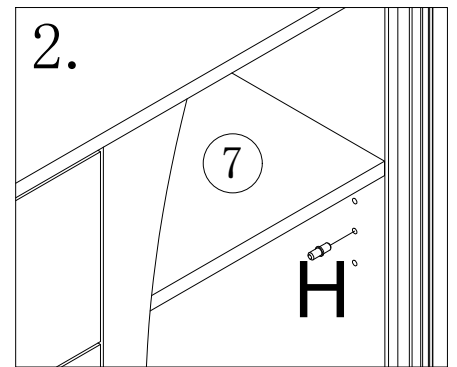
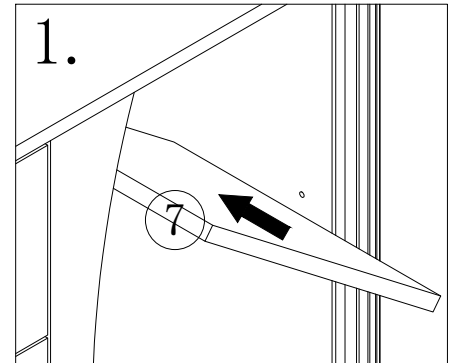
M	×12
	

R	×2
	

Step 21

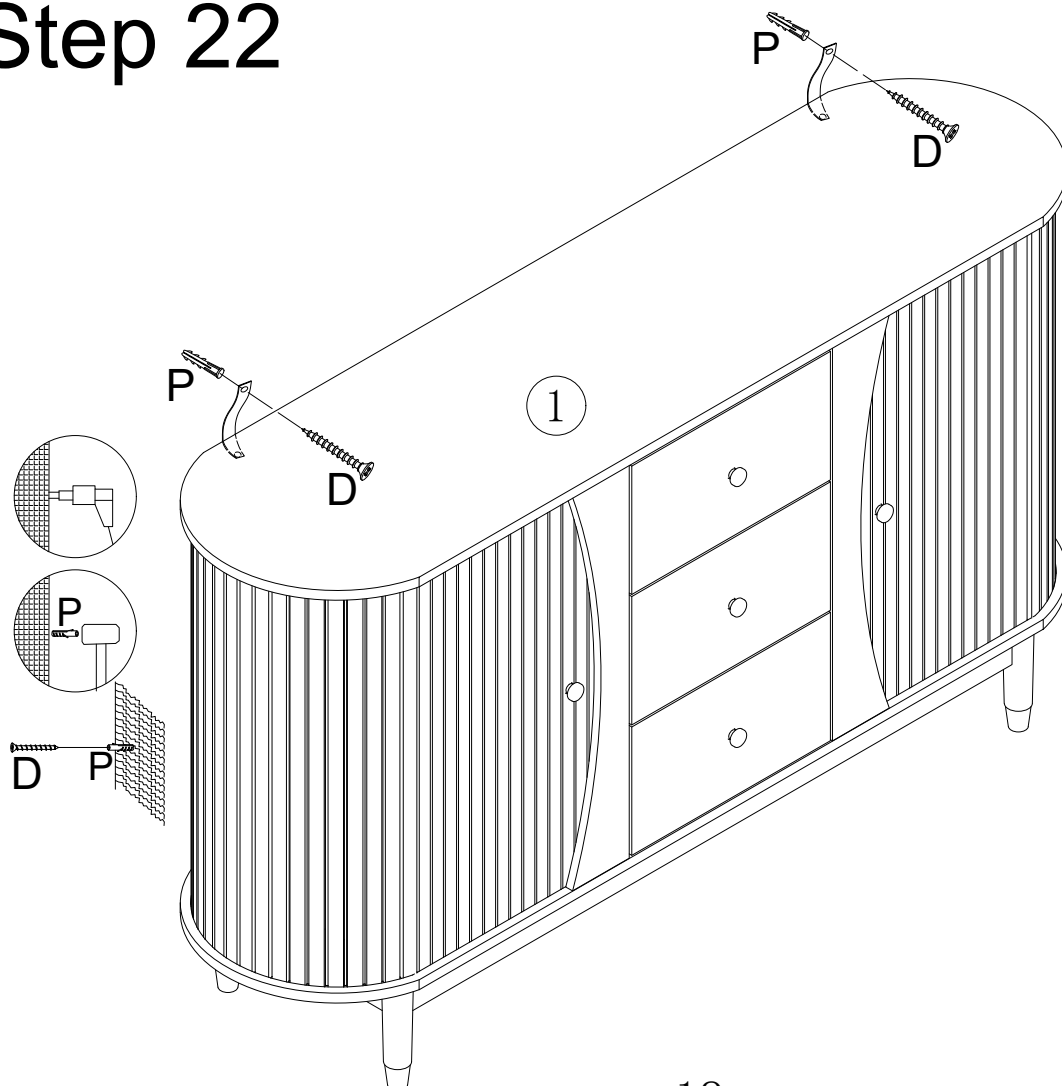


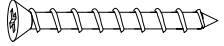
H	×8
	

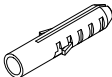


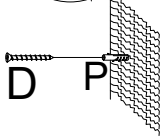
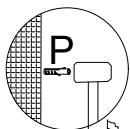
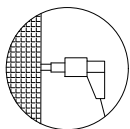
Tilt the plate 7 into the cabinet, and then move the plate 7 up to place on H.

Step 22

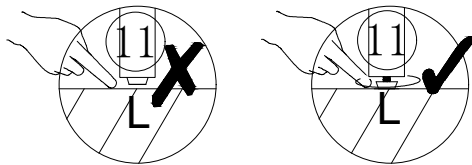
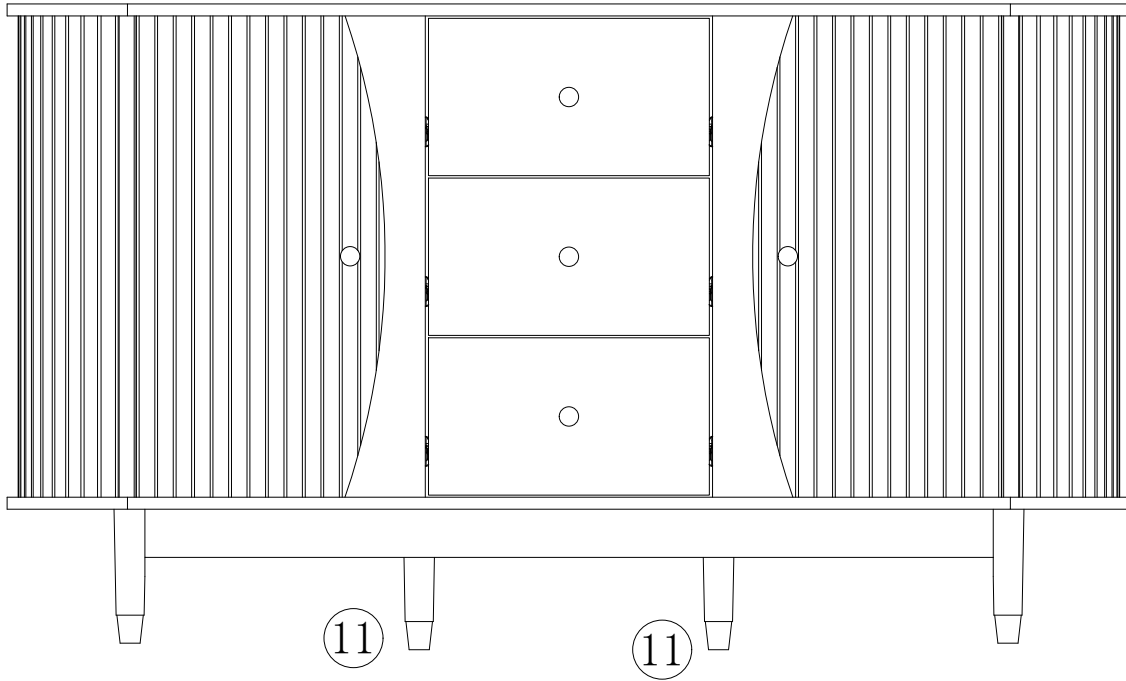


D	×2
	

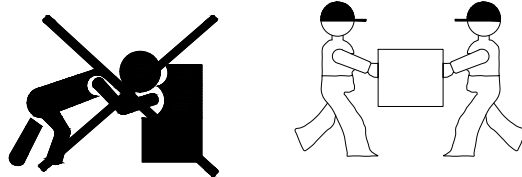
P	×2
	



Step 23



If the center position of the cabinet is too high or too low due to uneven bottom plates or other reasons, adjust the adjustable foot pads on feet ①① to adjust the upper and lower height



Two people work together to move the table. Make sure you lift it off the ground. Don't push and pull.