

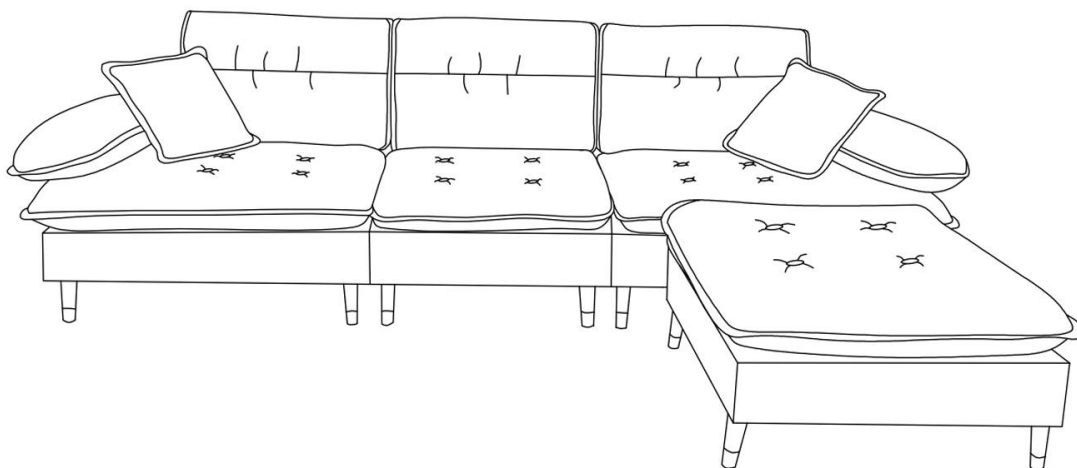
ASSEMBLY INSTRUCTION

N723P185831

N723P185836

Friendly Reminder:

- 1.This sofa is packed in 2 boxes. Please assemble it After all boxes are received.
- 2.As the cushions are all vacuum compressed,there will be some wrinkles. Please give your cushions up to 72 hours to reach its original size and the wrinkles will basically disappear.
- 3.Please do not open the compressed packages until your sofa frame is completely assembled.


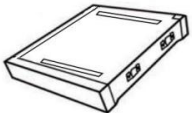
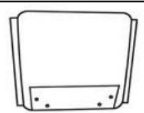
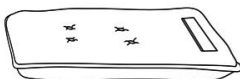
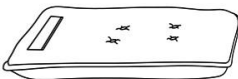
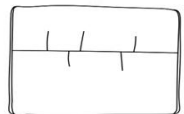
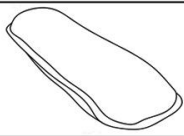



Return & Warranty policy:

- We strive to offer the highest quality products,and we also try our best to satisfy each and every customer that orders from us with replacement parts or service as needed.
- If the item is damaged or defective, please take photos as evidence for replacements and refunds.
- Please do not return to store,contact the seller if you have any troubles with this product.

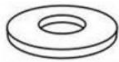
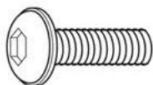
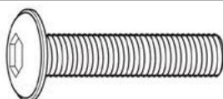

ASSEMBLY INSTRUCTION

PARTS LIST N723P185831

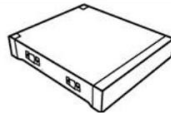

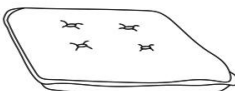

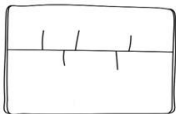


NO	DESCRIPTION	SKETCH	QTY
A	Seat frame(right)		1
B	Seat frame(left)		1
E	Backrest		3
F	Seat cushion(right)		1
G	Seat cushion(left)		1
J	Backrest cushion		1
K	Armrest pillow(right)		1
L	Armrest pillow(left)		1

ASSEMBLY INSTRUCTION

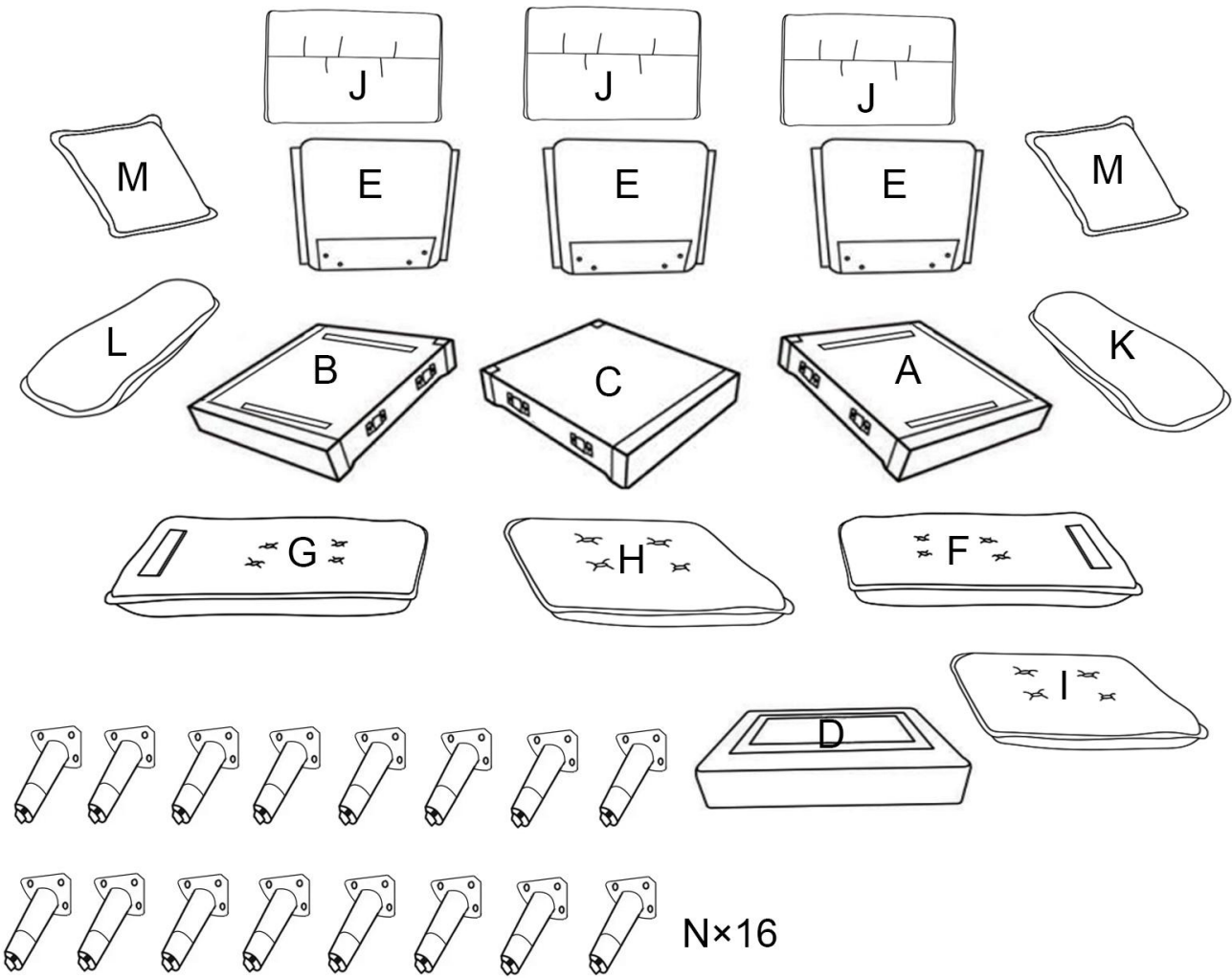
HARDWARE


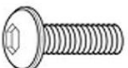
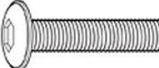

NO	DESCRIPTION	SKETCH	QTY
1	Washer		12
2	Screws 6X16		48
3	Screws 8X35		12
4	Wrench		1

PARTS LIST N723P185836

NO	DESCRIPTION	SKETCH	QTY
C	Seat frame(middle)		1
D	Ottoman frame		1
H	Seat cushion(middle)		1
I	Ottoman cushion		1
J	Backrest cushion		2
M	Throw pillow		2
N	Leg		16

All parts and hardwares



- 1  12×Washers
- 2  48×Screws 6×16mm
- 3  12×Screws 8×35mm
- 4  1×Wrench

NOTE:
 Take out of all parts from 2 boxes, make sure all parts you have received before assemble them.

DIAGRAM 1(Assemble the Legs)

Tighten Legs (Part N) with Screws(Hardware 2) as shown.

2		48PCS
4		1PC
N		16PCS

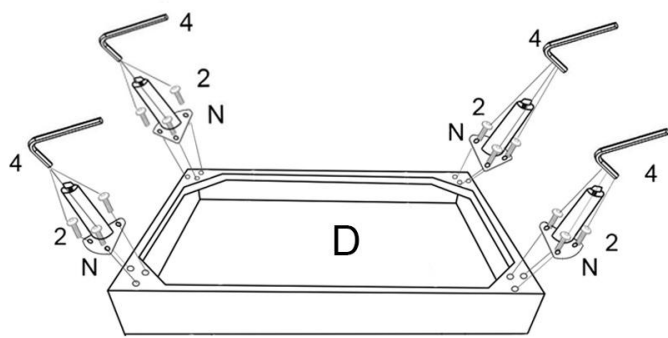
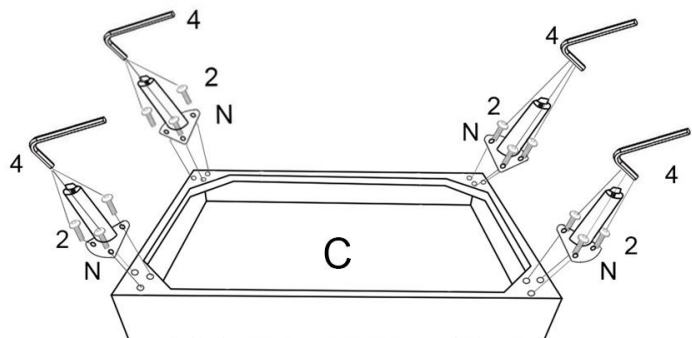
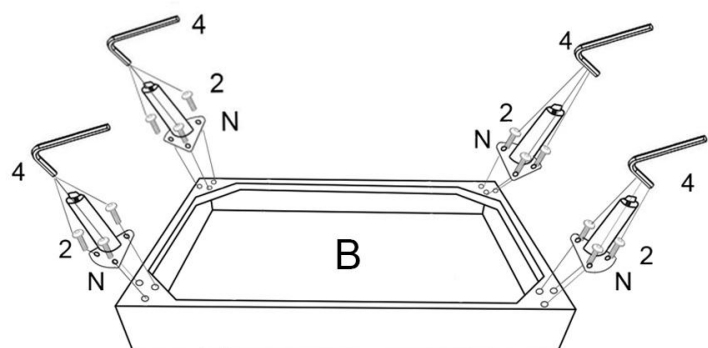
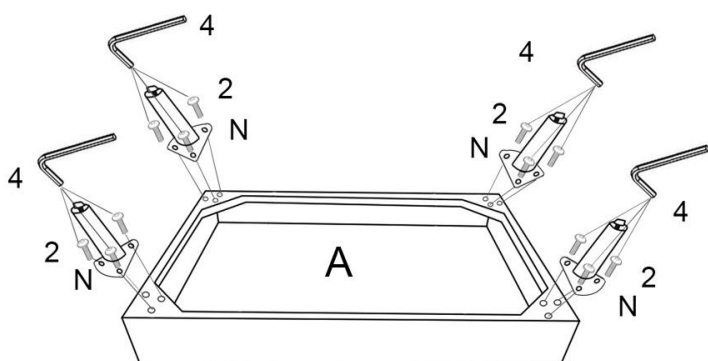


DIAGRAM 2 (Connect the Seat frames)

Connect Seat frame (right) (Part A) , Seat frame (middle) (Part C) and the Seat frame (left) (Part B) with inserts.

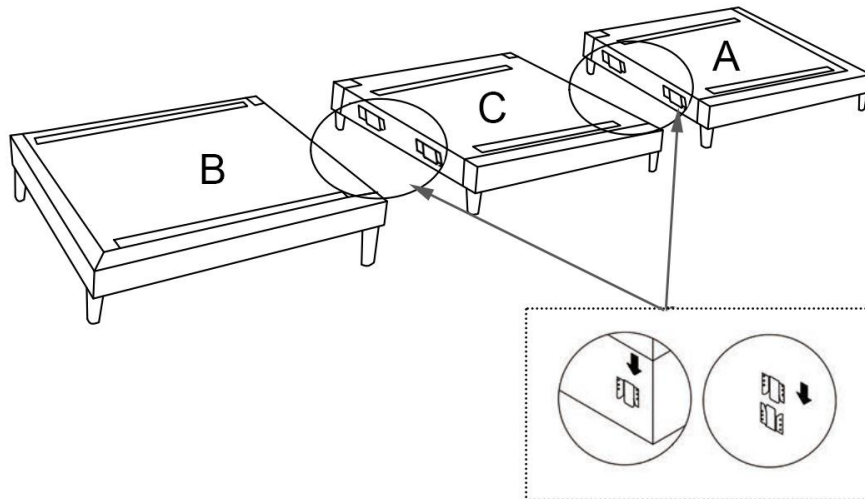


DIAGRAM 3 (Assemble the Backrests)

Connect the Backrests(Part E) using Screws(Hardware 3) and Washers(Hardware 1) by Wrench(Hardware 4) as shown. Then put Velcro pieces together.

Please install the top Screws first, then the bottom Screws.

Make sure all the Screws are in the holes before tightening them.

1		12PCS
3		12PCS
4		1PC

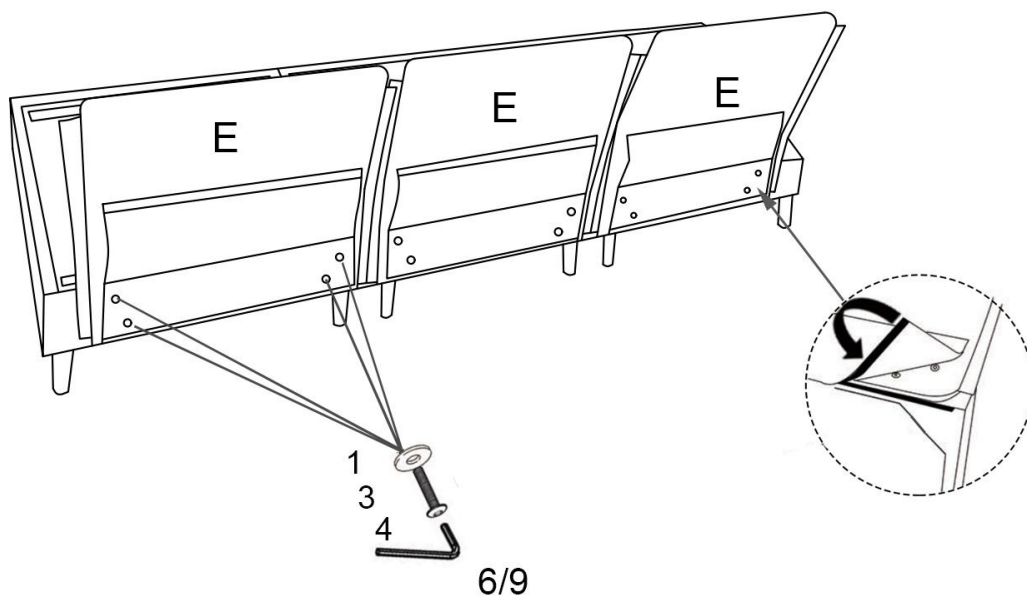
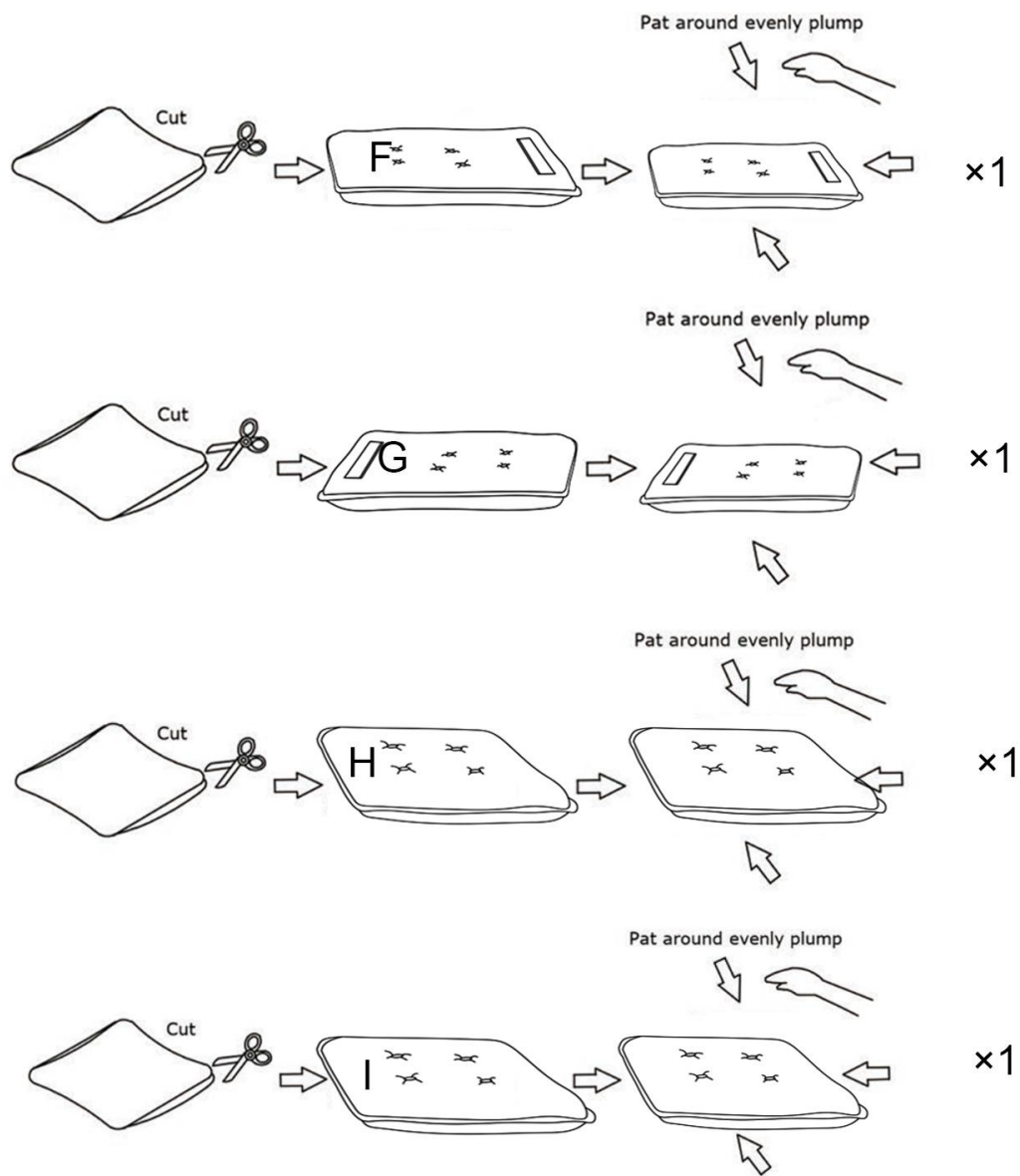


DIAGRAM 4 (Removal of compression bags)
Remove the Seat cushions



72h

TIPS:

1. Please do not open the compressed packages until your sofa frame is completely assembled.
2. Compressed Chaise cushions need to be fully fulfilled within 72 hours for your perfect use.
3. Please keep children away from plastic bags or any small pieces of stuff.

DIAGRAM 5 (Place the cushions on the sofa)

Tear off the Velcro protective cloth,Put the Seat cushions and Backrest cushions on the sofa.Recheck all the screws before you sit on the sofa.

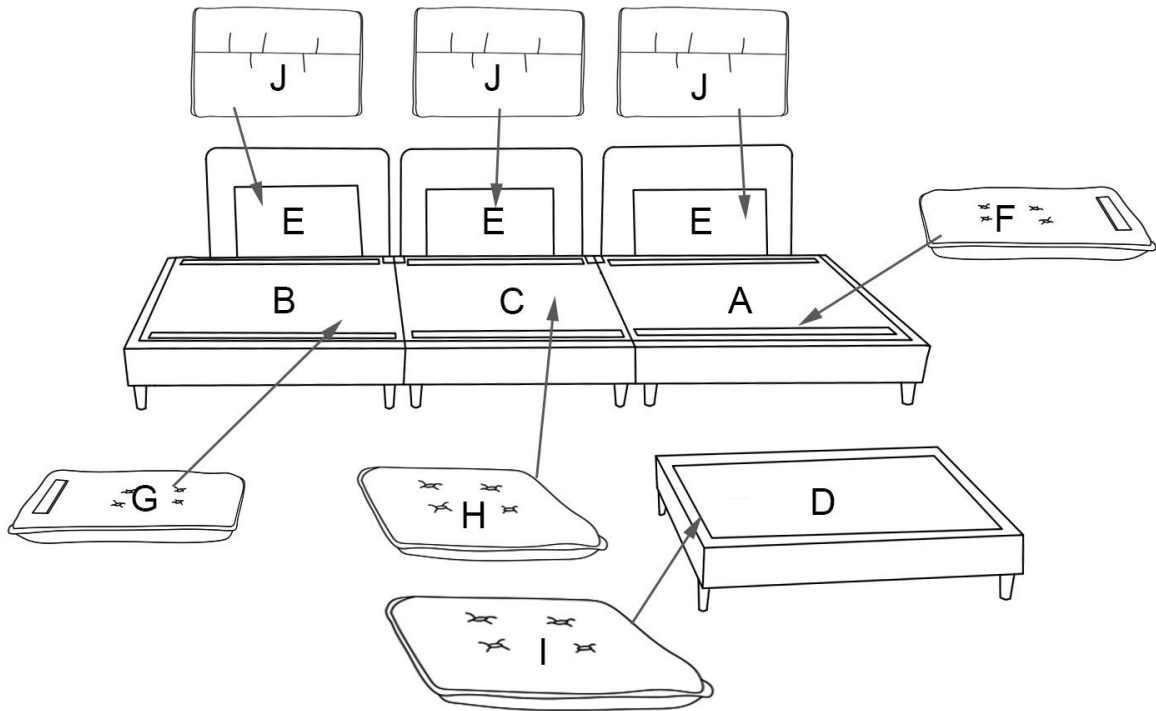
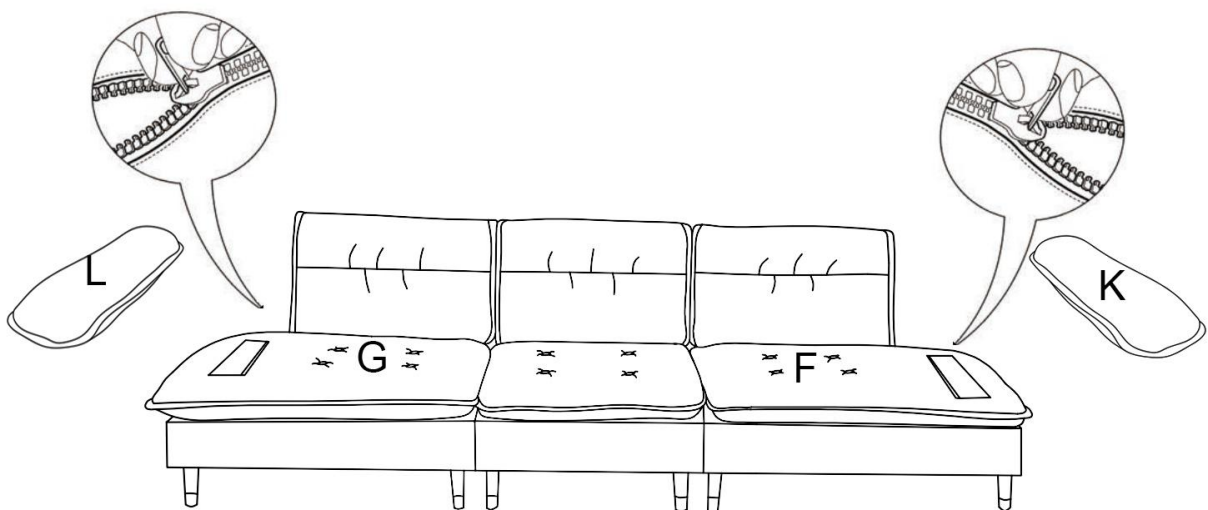
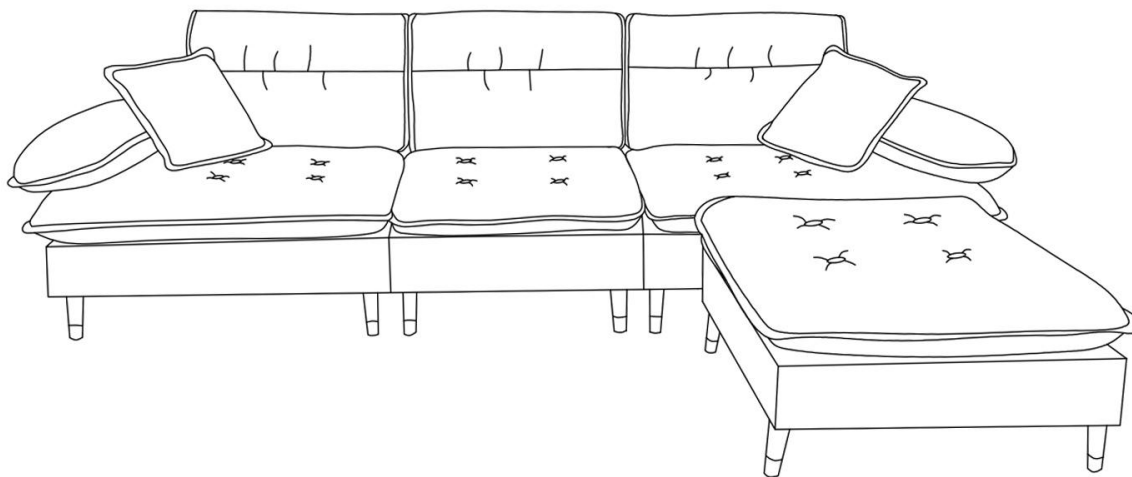


DIAGRAM 6 (Connect the Armrest pillows)

Connect Armrest pillows(Part K&L) and Seat cushions (Part F&G) with zippers.



COMPLETE



TIPS:

1. Please do not open the compress packaging until your sofa frame is completely assembled.
2. Compress Back cushions and Seat cushions need to be fully fulfilled within 72 hours for your perfect use.
3. Please keep children away from plastic bags or any small pieces of stuff.