

# *ASSEMBLY INSTRUCTION*



***Chair***

# ASSEMBLY INSTRUCTION

## ASSEMBLY TIPS :

1. Remove hardware from box and sort by size.
2. Please check to see that all hardware and parts are present prior to start of assembly.
3. Please follow attached instructions in the same sequence as numbered to assure fast & easy assembly.



## WARNING :

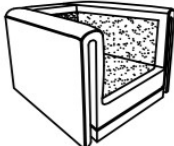
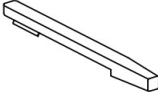



1. Don't attempt to repair or modify parts that are broken or defective. Please contact the store immediately
2. This product is for home use only and not intended for commercial establishments.



ASSEMBLY TIME

15 MINUTES

## PARTS IDENTIFICATION

A	CHAIR BASE		1PC
B	FRONT LEG		2PCS
C	BACK LEG		2PCS
D	BACK CUSHION		1PC
E	SEAT CUSHION		1PC

# ASSEMBLY INSTRUCTION

## ASSEMBLY TIPS :

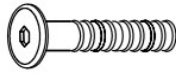
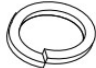

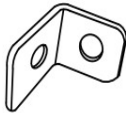

1. Remove hardware from box and sort by size.
2. Please check to see that all hardware and parts are present prior to start of assembly.
3. Please follow attached instructions in the same sequence as numbered to assure fast & easy assembly.



## WARNING :

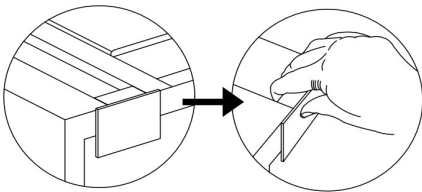
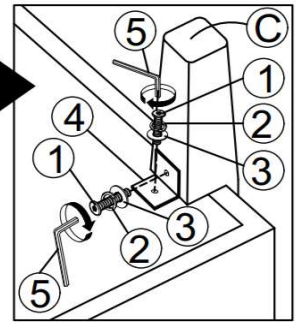
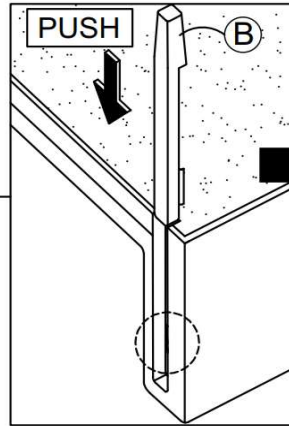
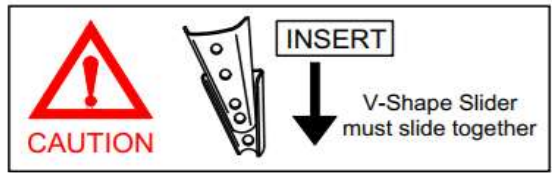
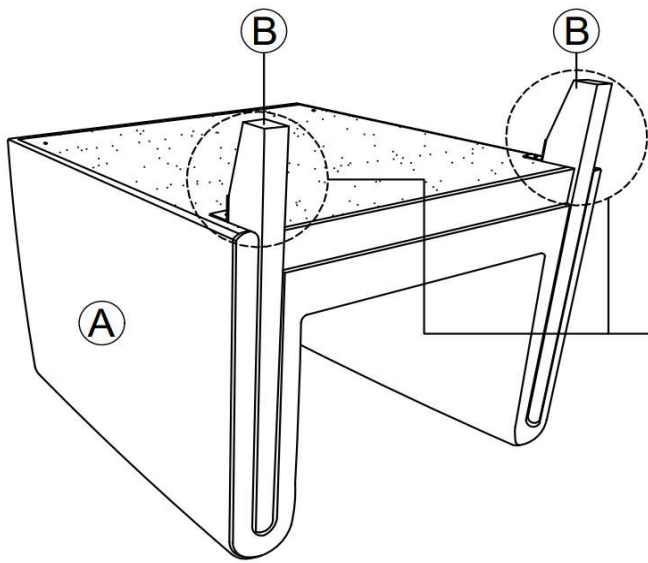
1. Don't attempt to repair or modify parts that are broken or defective. Please contact the store immediately
2. This product is for home use only and not intended for commercial establishments.

## HARDWARE IDENTIFICATION

1	<b>BOLT</b> (M6 x 20mm - BLK)		8PCS
2	<b>LOCK WASHER</b> (1/4mm - BLK)		8PCS
3	<b>FLAT WASHER</b> (1/4mm - BLK)		9PCS
4	<b>L-BRACKET</b> (40 x 35 x 2mm - BLK)		4PCS
5	<b>ALLEN WRENCH</b> (M4 x 95mm - BLK)		1PC

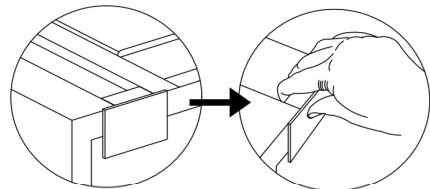
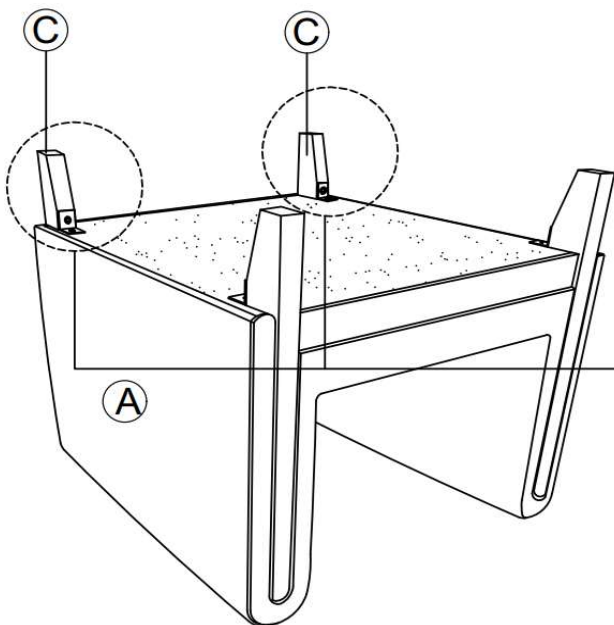
# ASSEMBLY INSTRUCTION

## STEP 1

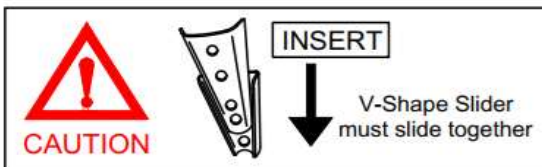
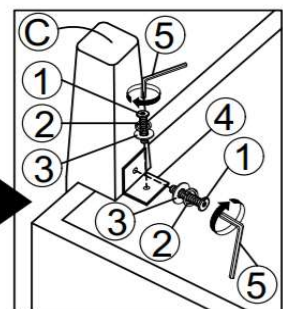
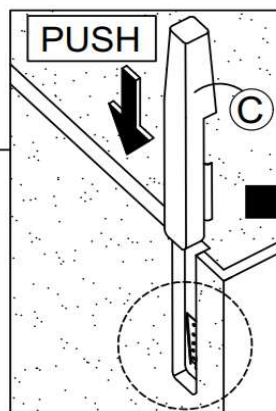


Make sure the wood block is removed before installing the leg

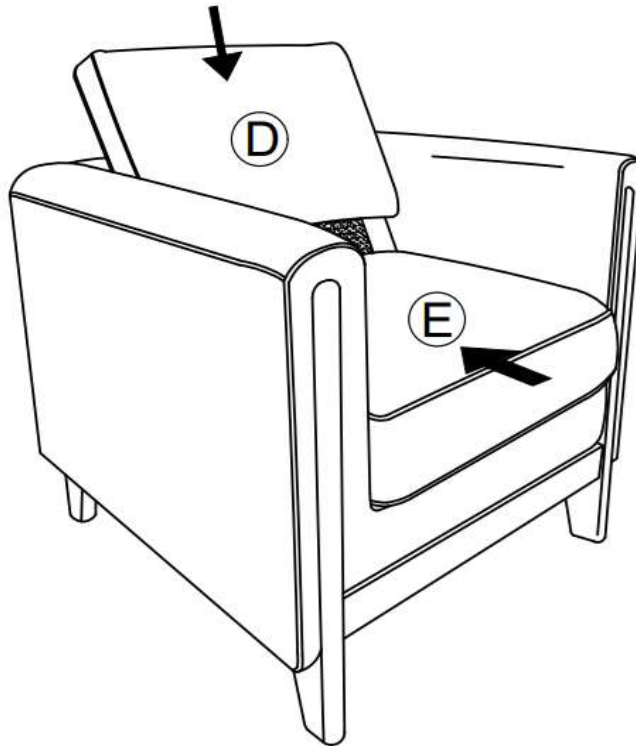
## STEP 2



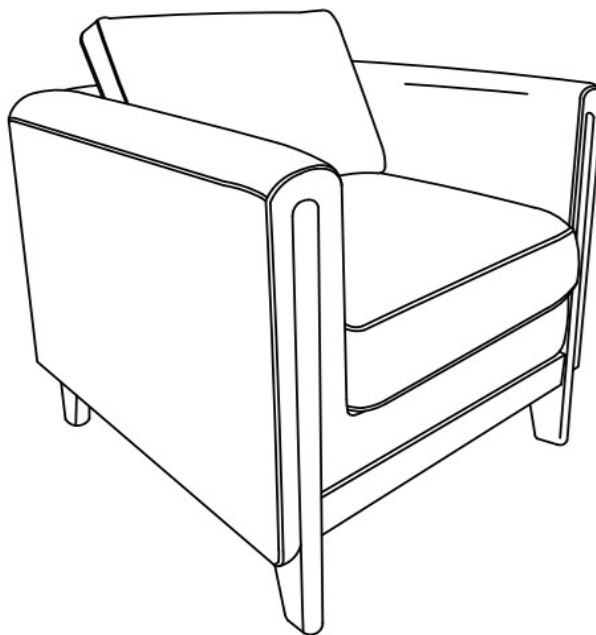
Make sure the wood block is removed before installing the leg

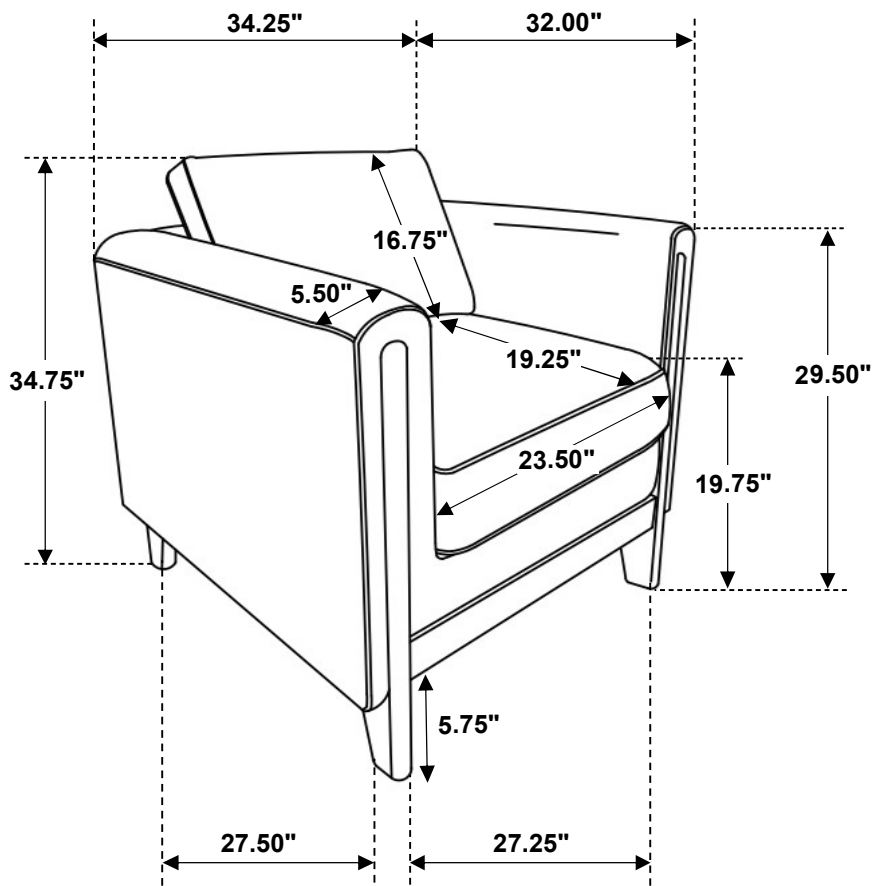


**ASSEMBLY INSTRUCTION**  
**STEP 3**



**STEP 4**  
**COMPLETE**





**Note: Dimension tolerance  $\pm 5\%$**