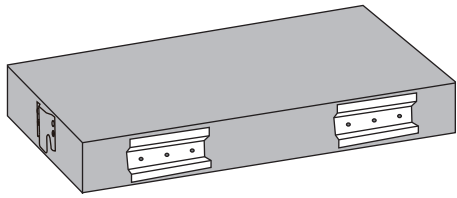
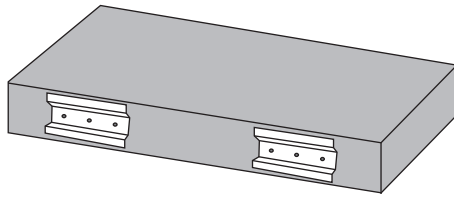


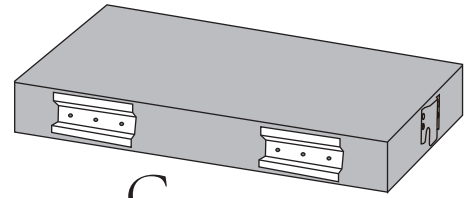
Parts List



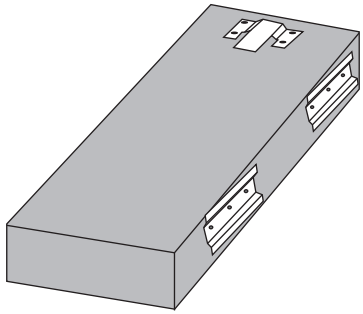
A



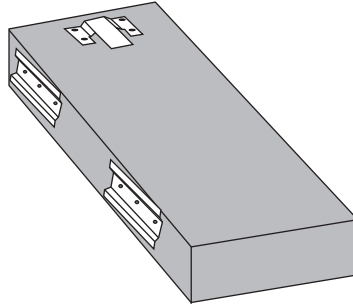
B



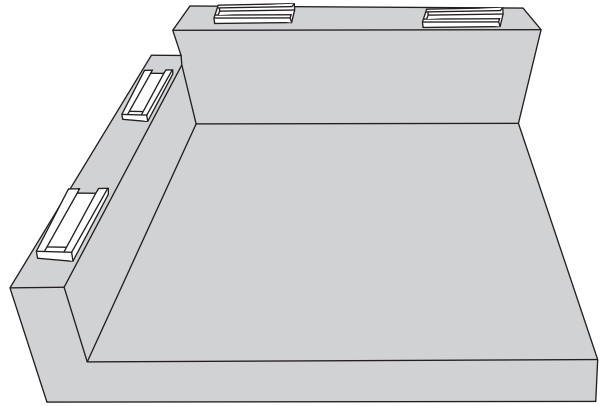
C



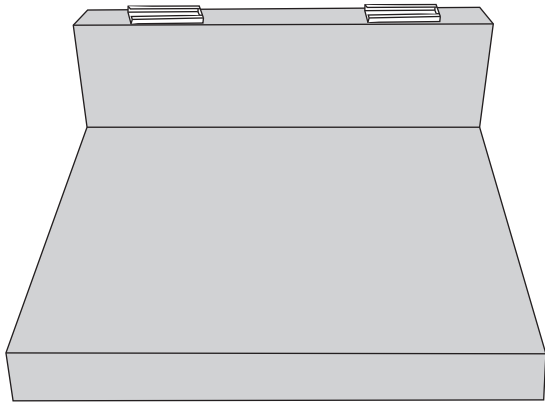
D



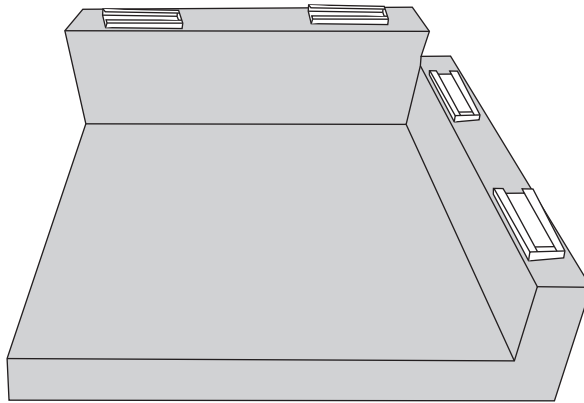
E



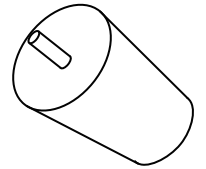
F



G



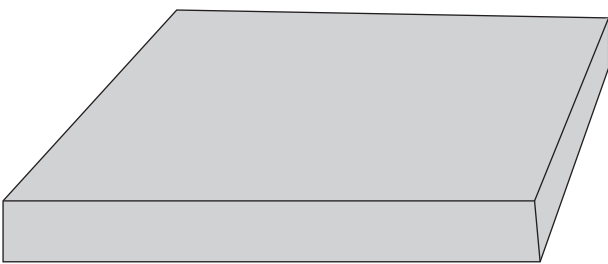
H



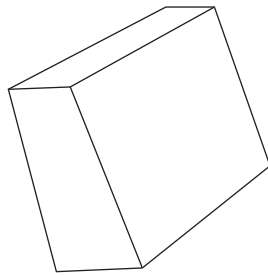
I \* 16



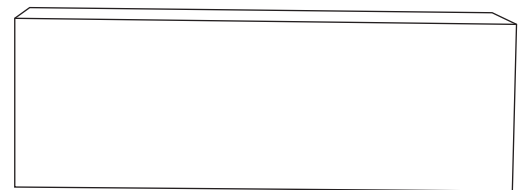
P \* 16



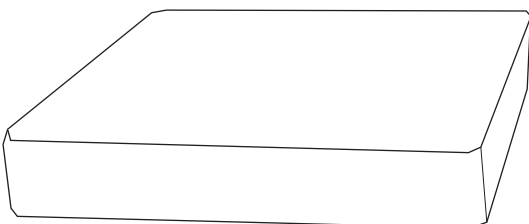
J



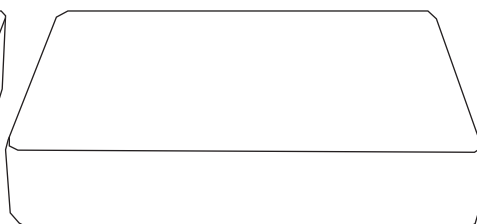
K \* 2



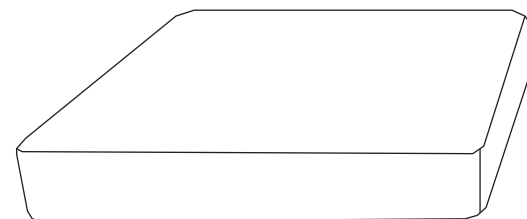
L \* 3



M \* 2



N



O

WF305757 BOX 4-1: A+F+D+M+L+I\*4+P\*4

WF305758 BOX 4-2: H+C+E+M+L+I\*4+P\*4

WF305761 BOX 4-3: J+O+K\*2+I\*4+P\*4

WF305762 BOX 4-4: G+B+N+L+I\*4+P\*4

# Installation method

