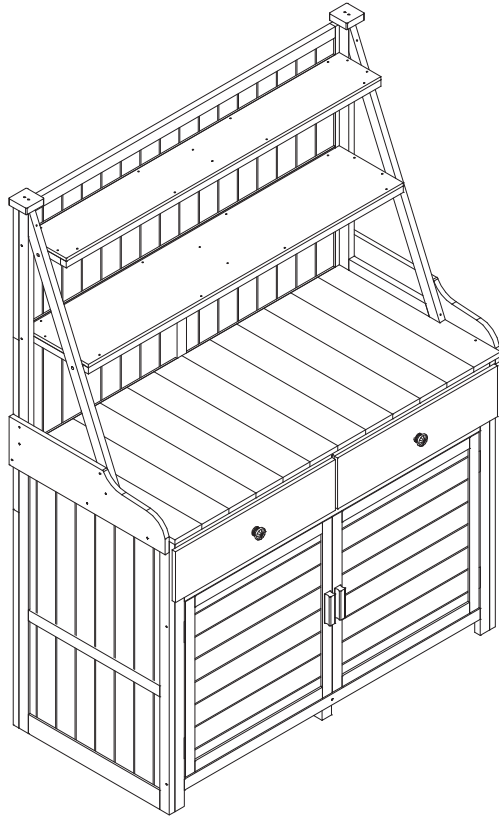
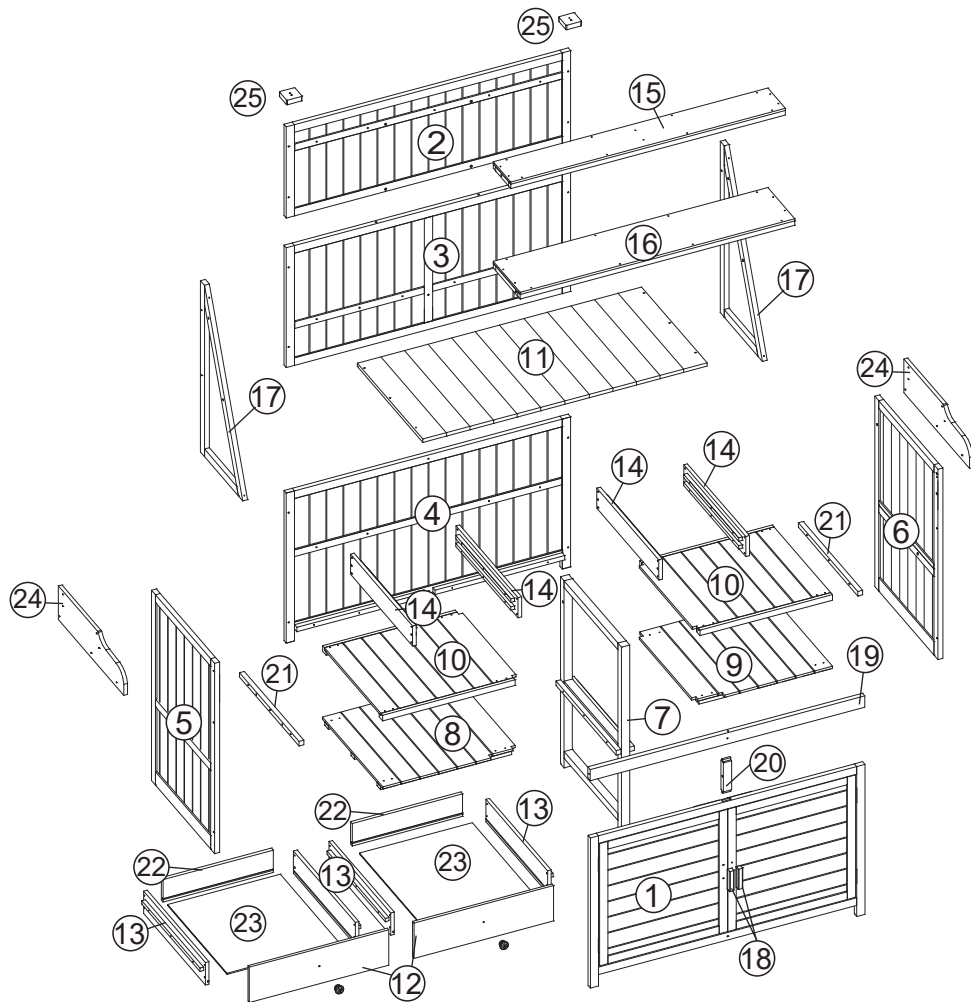


WF316547 & WF316548



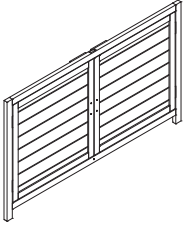
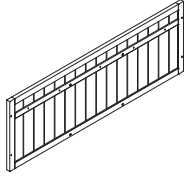
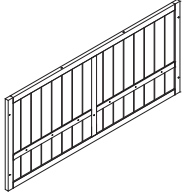
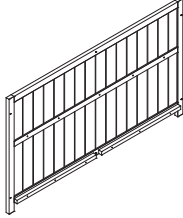
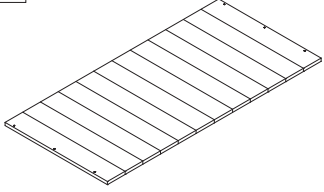
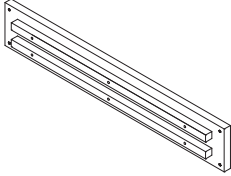
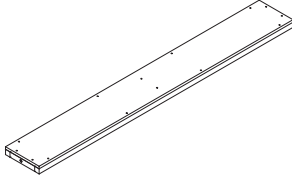
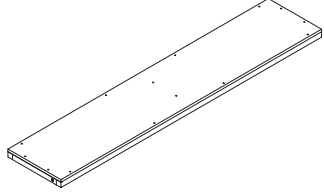
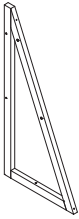

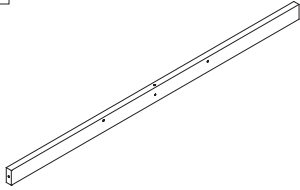

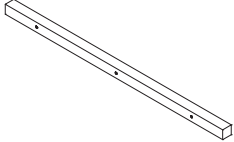
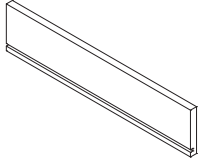
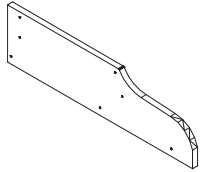
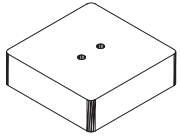
This set includes 2 boxes. If not receive full 2boxes,please contact our customer service team.

Detail View

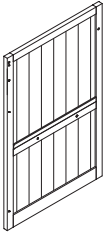
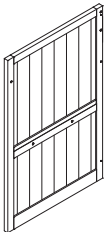
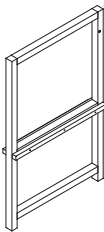
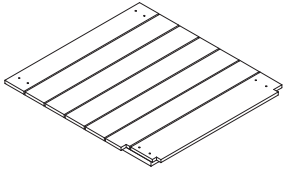
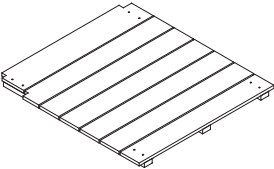
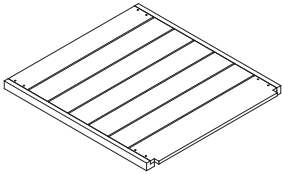
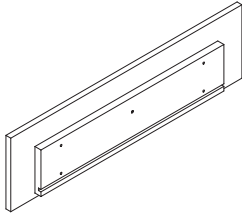
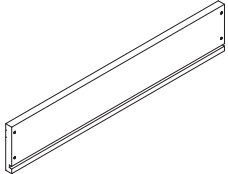
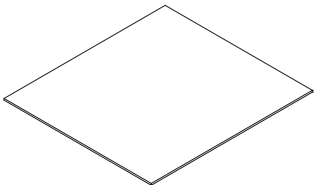


Part List









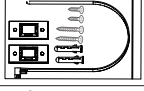
Hardware list(WF316547)

1 	2 	3 	4 
Front panel - 1pc	Upper back panel- 1pc	Middle back panel- 1pc	Lower back panel- 1pc
11 	14 	15 	16 
Table top - 1pc	Support plate of drawer - 4pcs	Upper storage board - 1pc	Lower storage board - 1pc
17 	18 	19 	20 
Triangular support part - 2pcs	Handle - 2pcs	Horizontal bar of front panel - 1pc	Vertical bar of front panel- 1pc
21 	22 	24 	25 
Slat of support - 2pcs	Back part of drawer - 2pcs	Side panel of table - 2pcs	Wood block - 2pcs

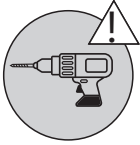
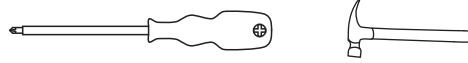
Hardware list(WF316548)

5 	6 	7 	8 
Left panel - 1pc	Right panel - 1pc	Middle panel - 1pc	Bottom panel 1 - 1pc
9 	10 	12 	13 
Bottom panel 2 - 1pc	Shelves - 2pcs	Front part of drawer - 2pcs	Side part of drawer - 4pcs
23 			
Bottom of drawer - 2pcs			

Hardware List(WF316547)

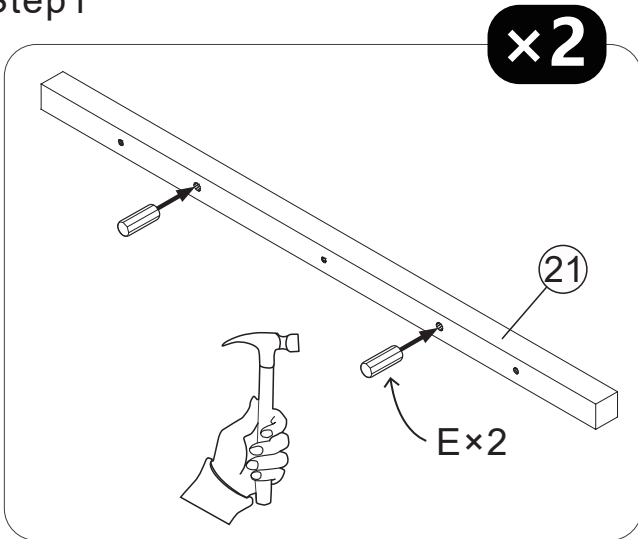
<p>A</p>  <p>φ3.5x60</p>	<p>B</p>  <p>φ3.5x40</p>	<p>C</p>  <p>φ3.0x38</p>	<p>D</p>  <p>φ3.0x30</p>
<p>Ph zinc screws 4+1pcs</p>	<p>Ph zinc screws 25+1pcs</p>	<p>Ph zinc screws 14+1pcs</p>	<p>Ph zinc screws 56+1pcs</p>
<p>E</p> 	<p>F</p>  <p>M6*45</p>	<p>G</p>  <p>M4*35</p>	<p>H</p> 
<p>Wood dowel 16pcs</p>	<p>Ph zinc bolt 8+1pcs</p>	<p>Ph zinc bolt 2+1pcs</p>	<p>Door Knob 2pcs</p>
 <p>Anti-topple over sets 2pcs</p>			

ASSEMBLY TOOLS REQUIRED(NOT INCLUDED)



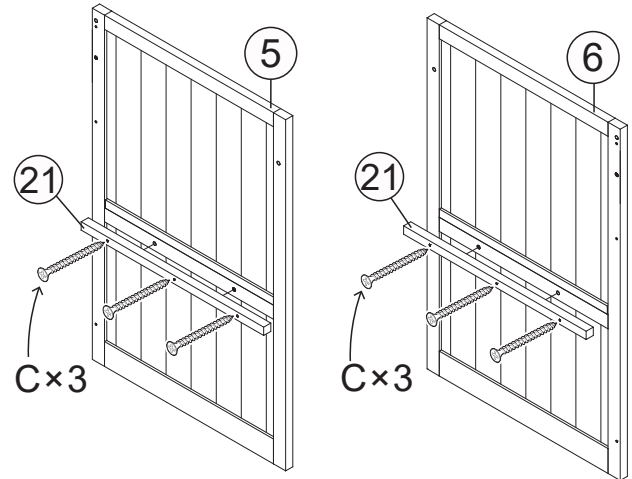
PLEASE BE CAREFUL DO NOT DAMAGE THE HOLE POSITION WHEN YOU USE POWERTOOLS !

Step1



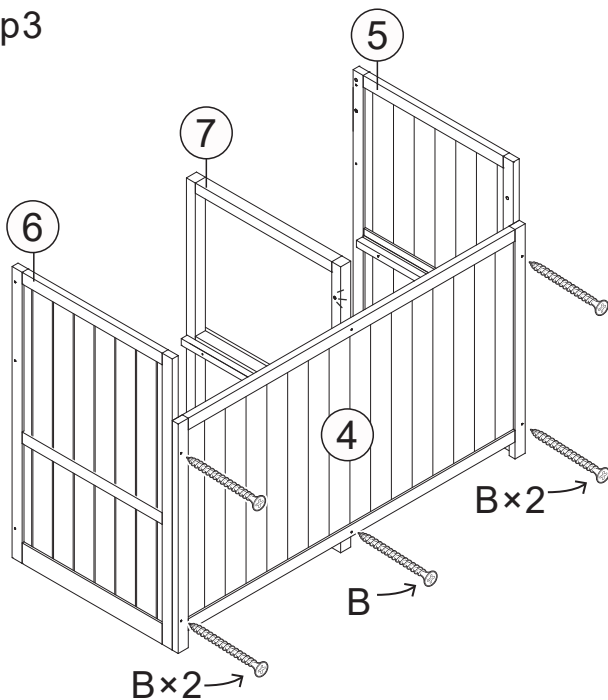
E×4 ②1×2

Step2



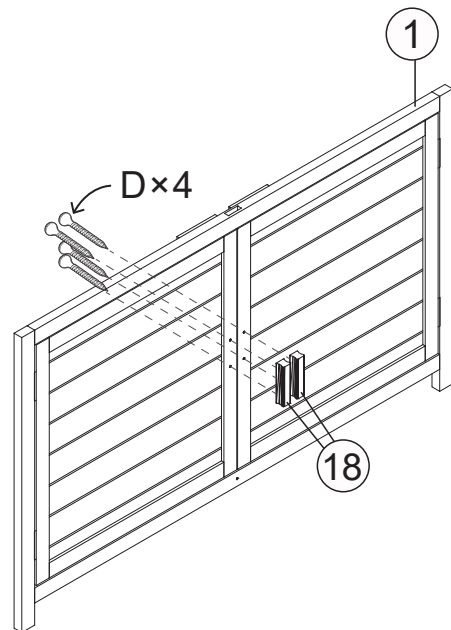
C×6 ⑤×1 ⑥×1

Step3



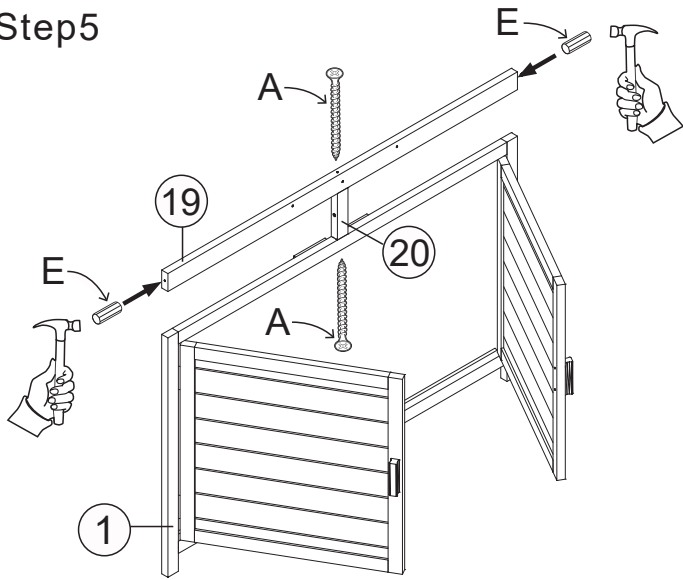
B×5 ④×1 ⑦×1

Step4



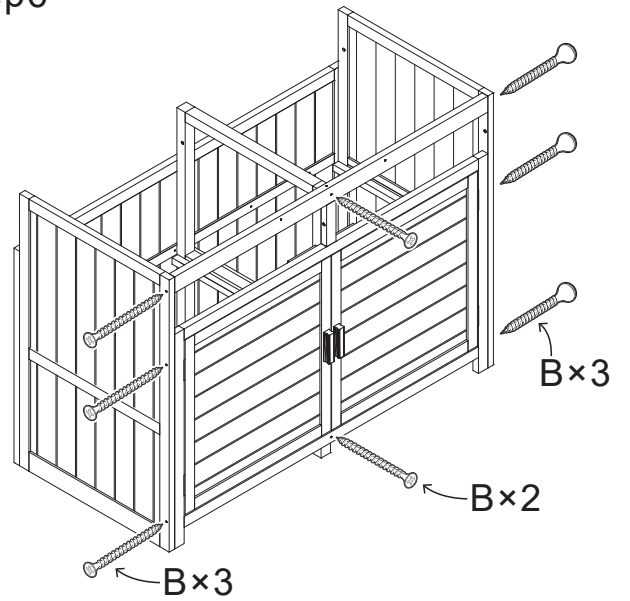
D×4 ①×1 ⑱×2

Step5



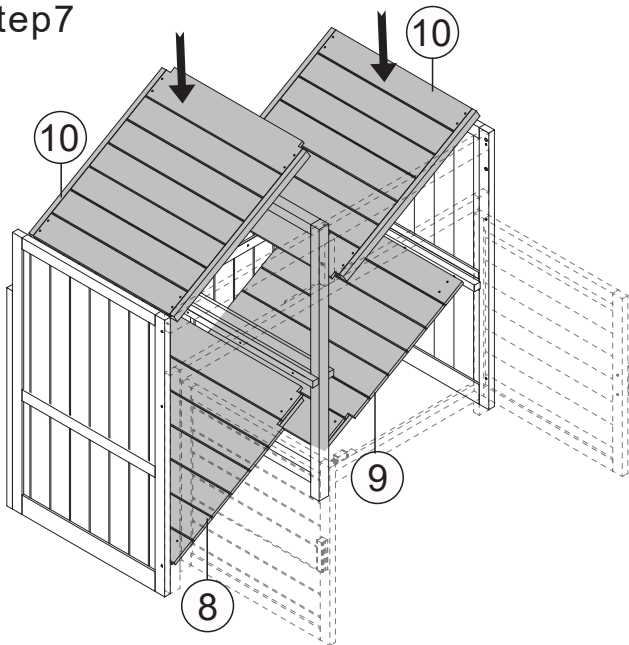
A×2 E×2 19×1 20×1

Step6



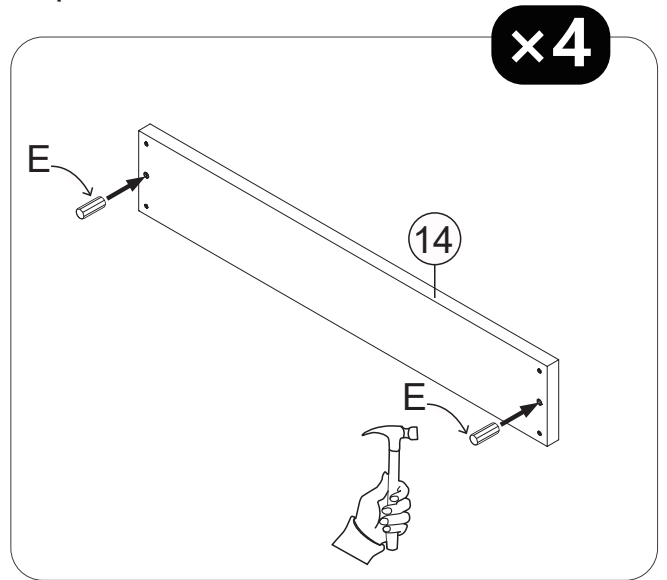
B×8

Step7



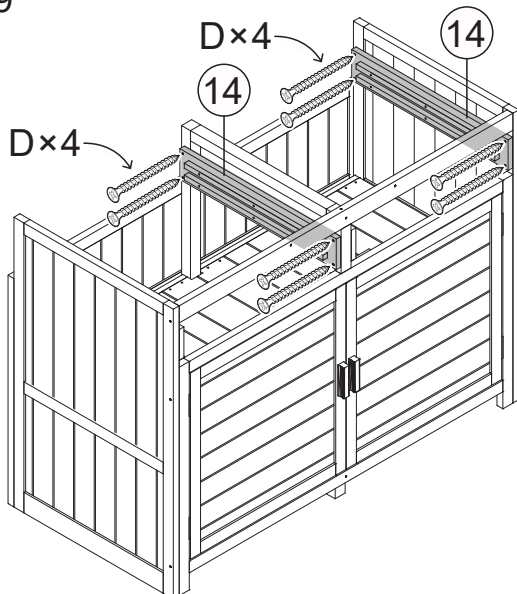
8×1 9×1 10×2

Step8

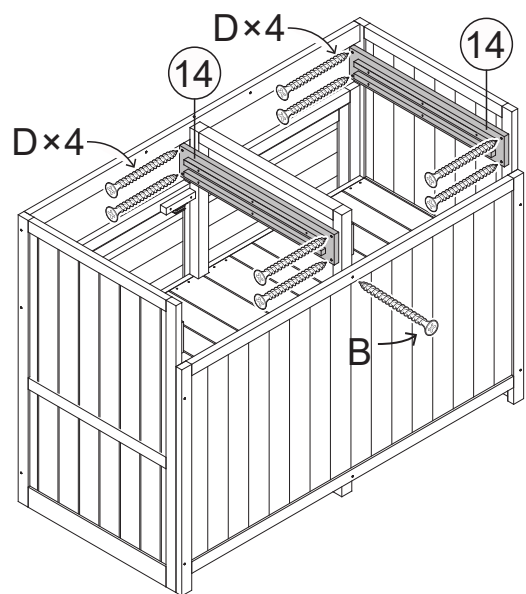


E×8 14×4

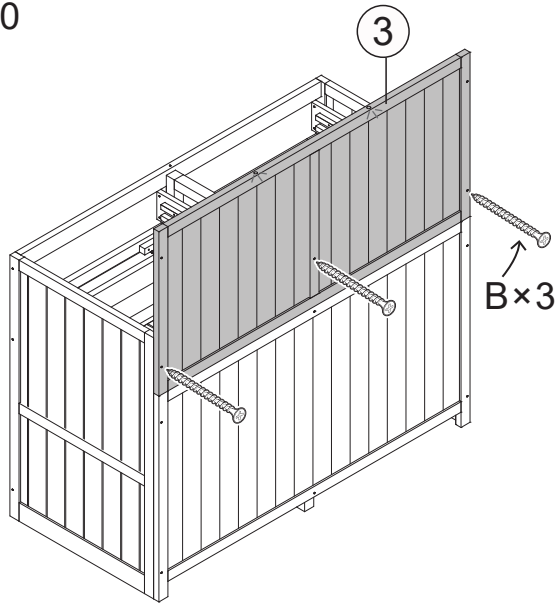
Step9



B×1 D×16

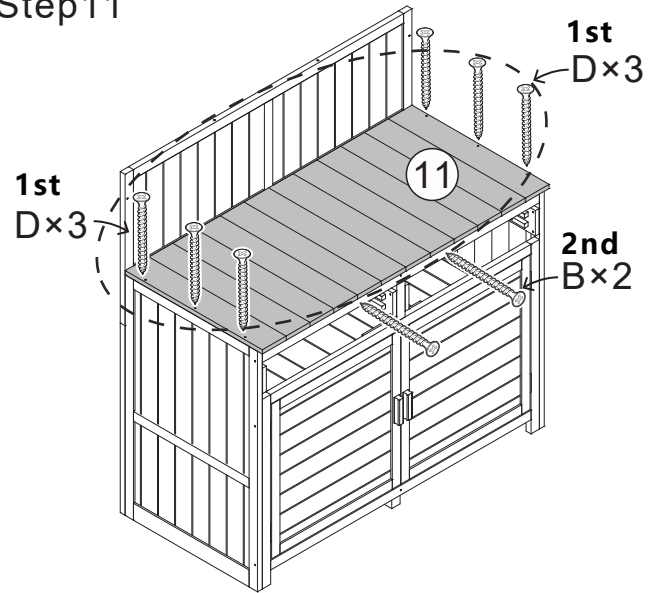


Step10



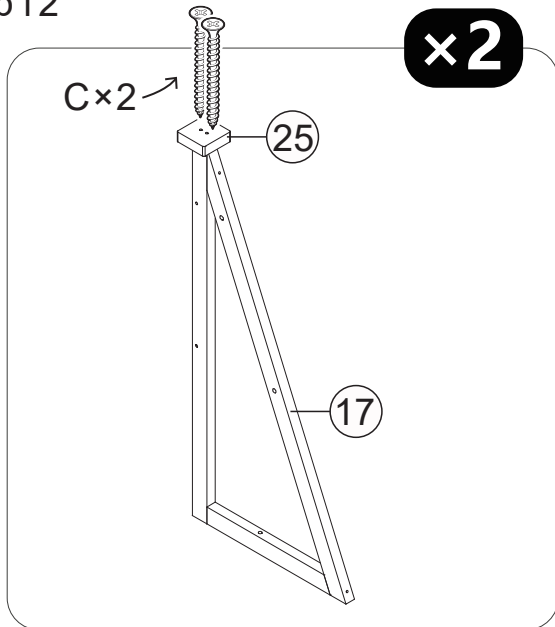
Bx3 ③x1

Step11



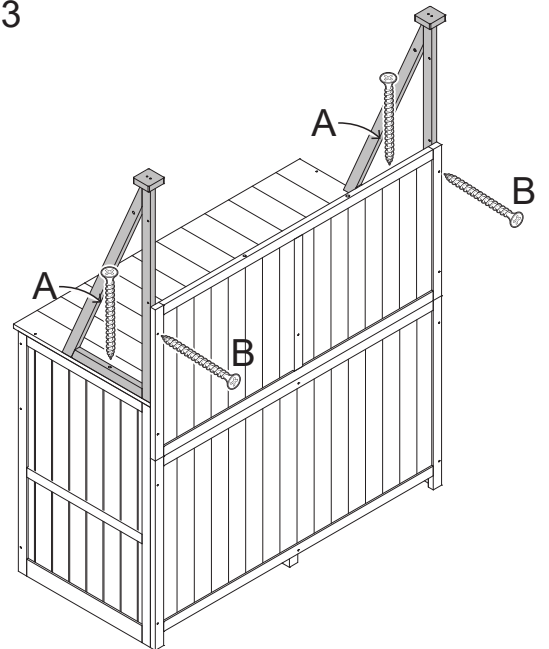
Bx2 Dx6 ⑪x1

Step12



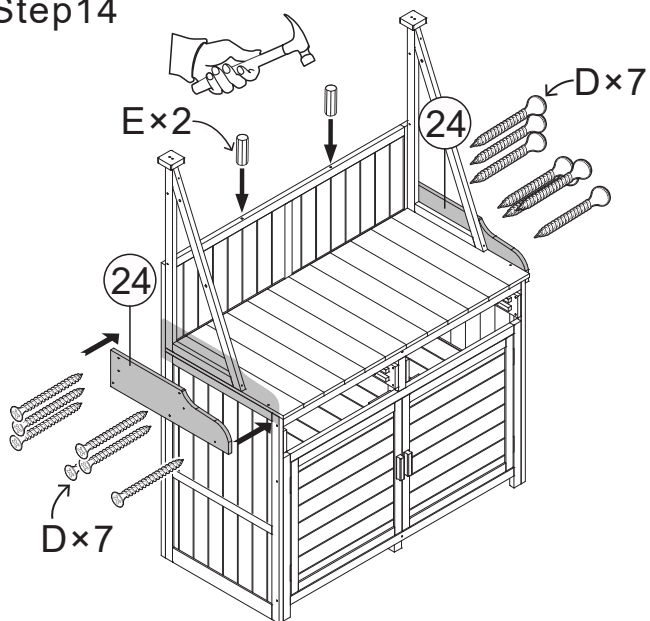
Cx4 ⑰x2 ⑳x2

Step13



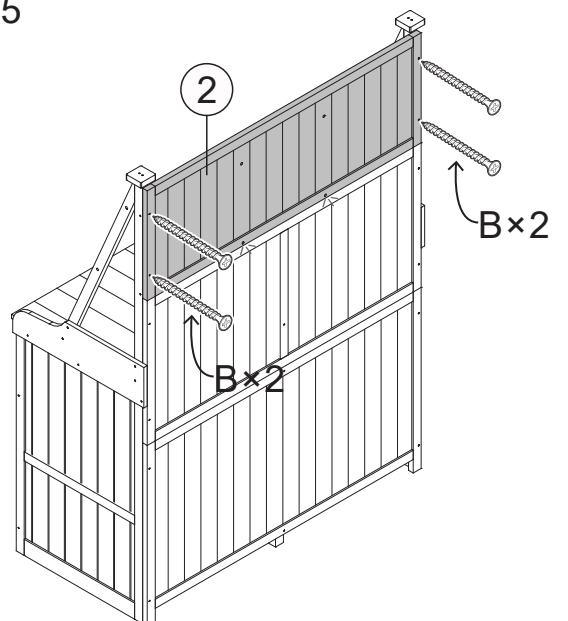
Ax2 Bx2

Step14



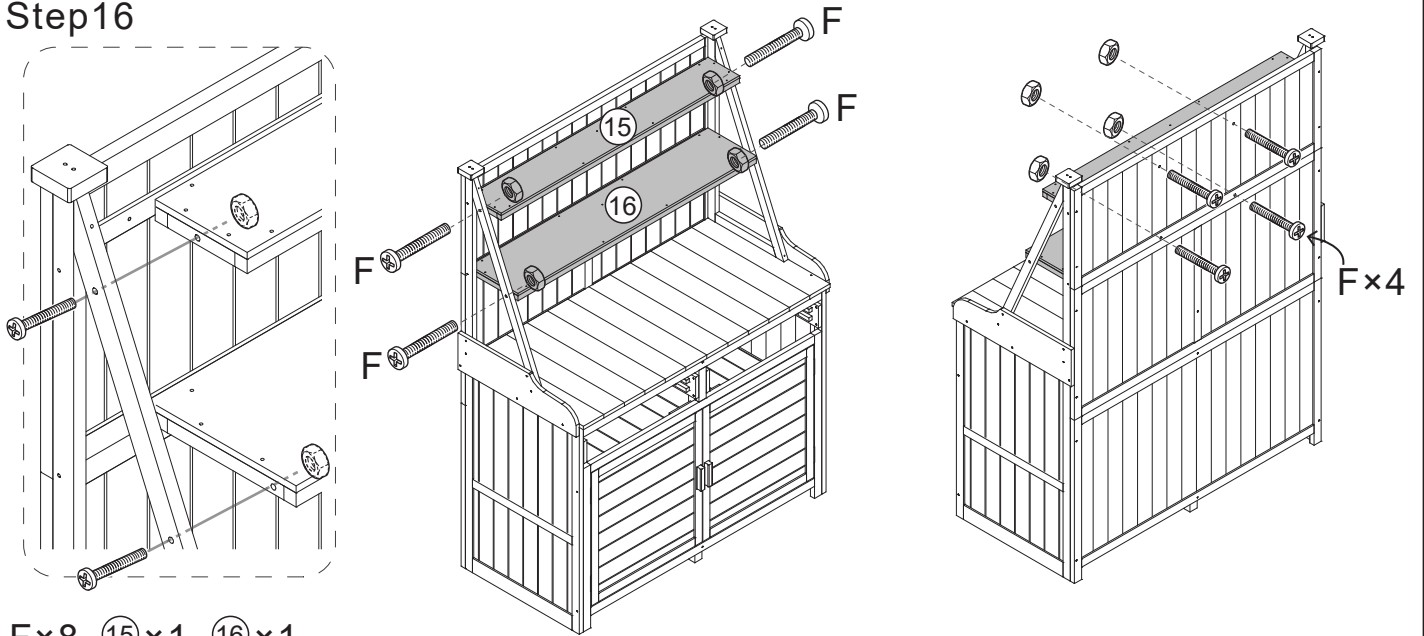
Dx14 Ex2 ⑳x2

Step15



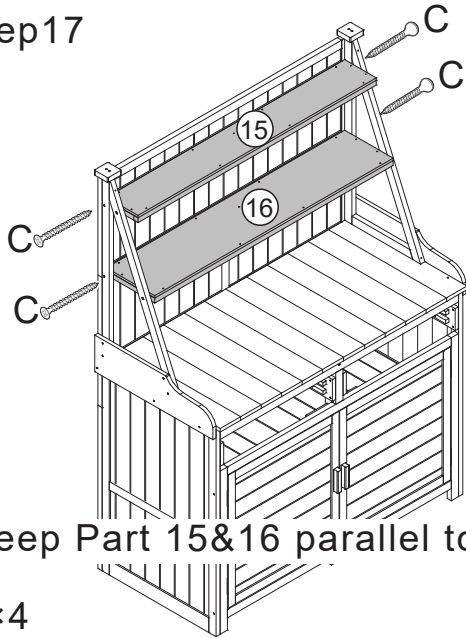
Bx4 ②x1

Step16



F×8 ⑮×1 ⑯×1

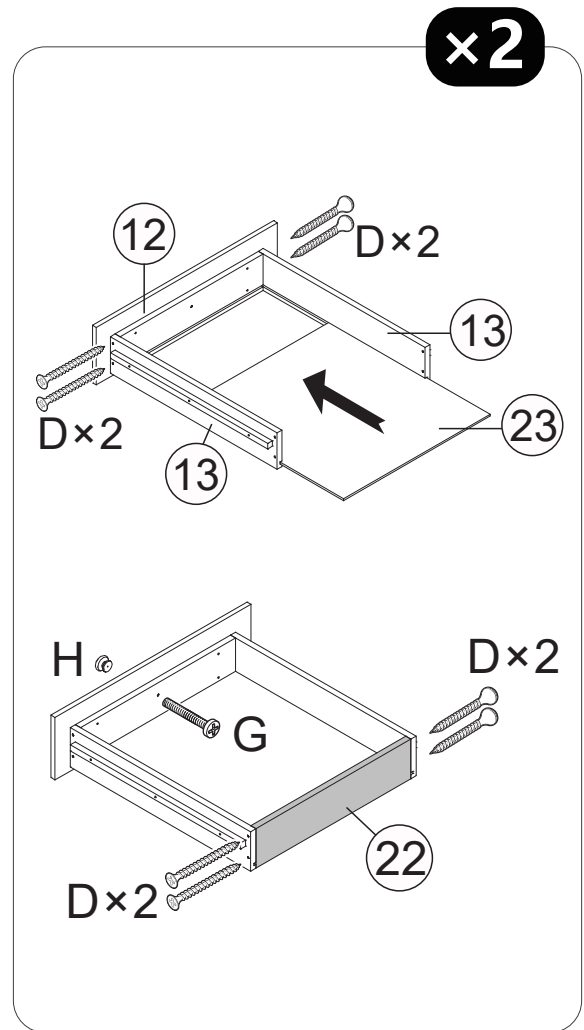
Step17



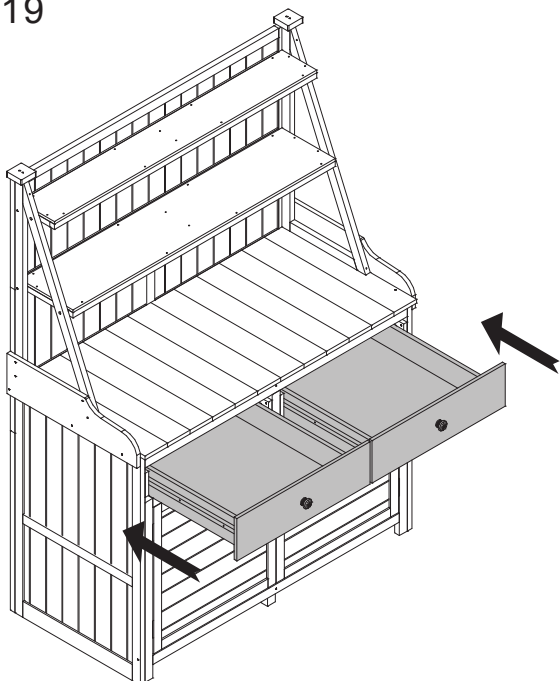
Keep Part 15&16 parallel to desktop

C×4

Step18

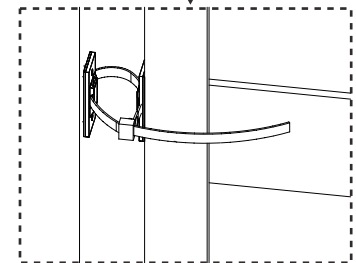
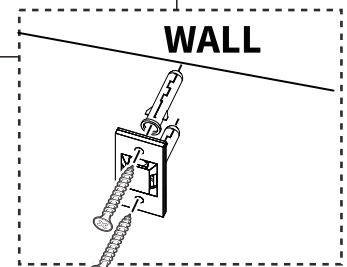
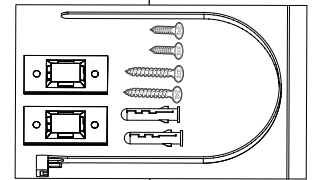
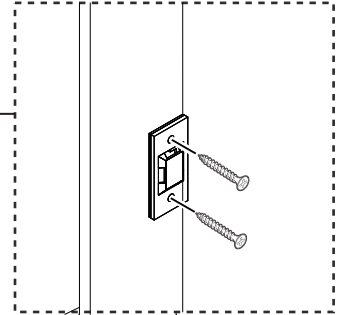
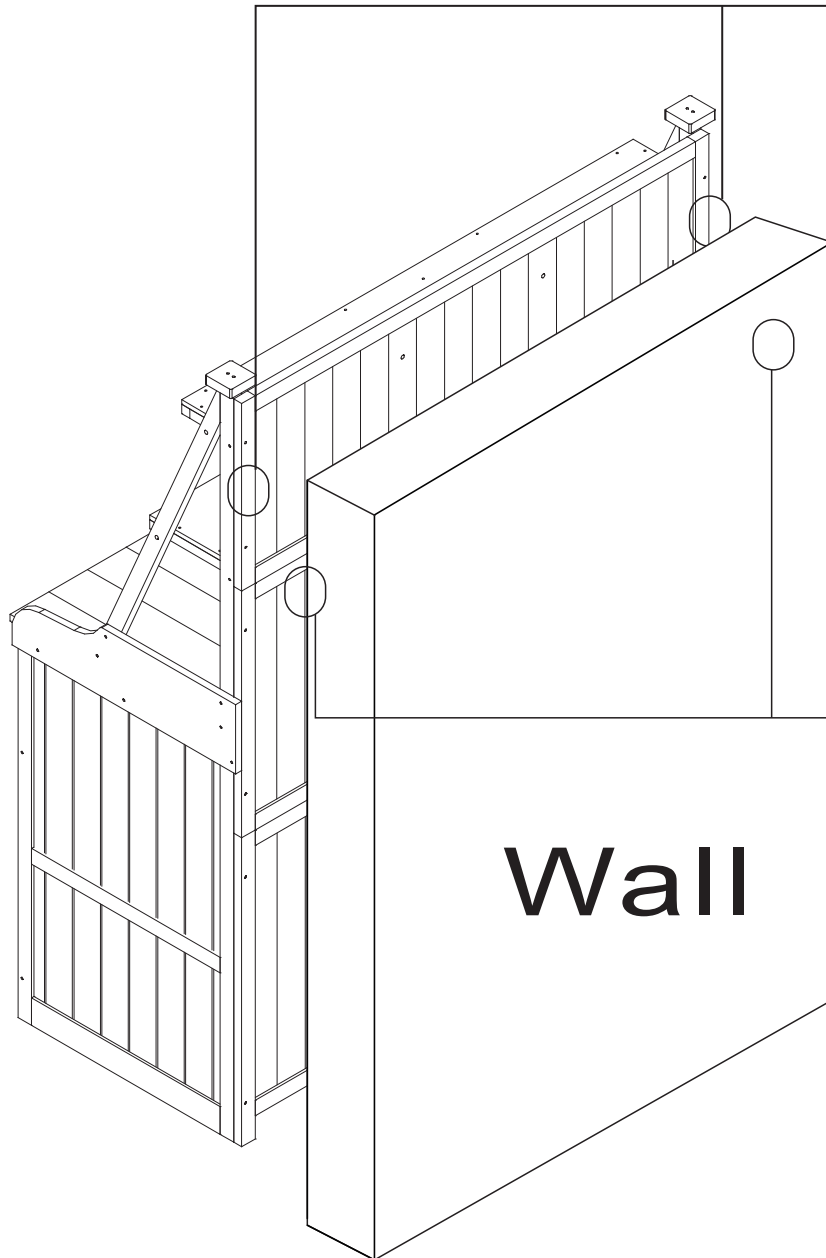


Step19



D×16 G×2 H×2 ⑫×2 ⑬×4 ⑰×2 ⑱×2

Step20



Done