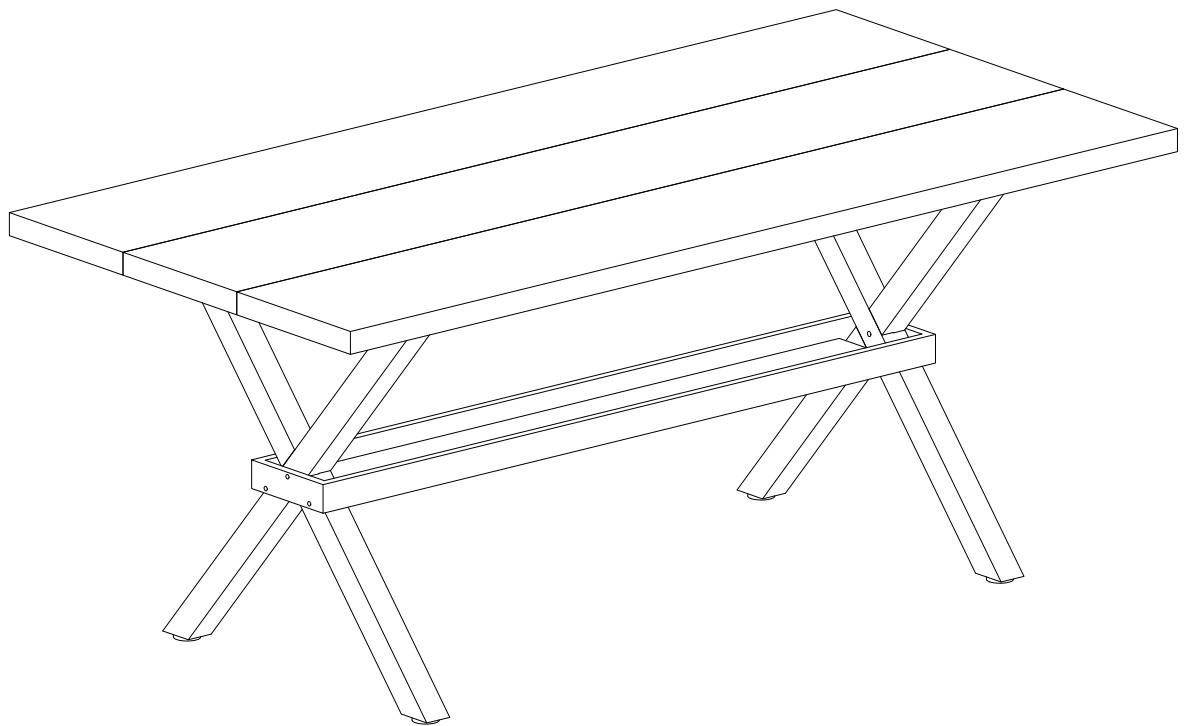
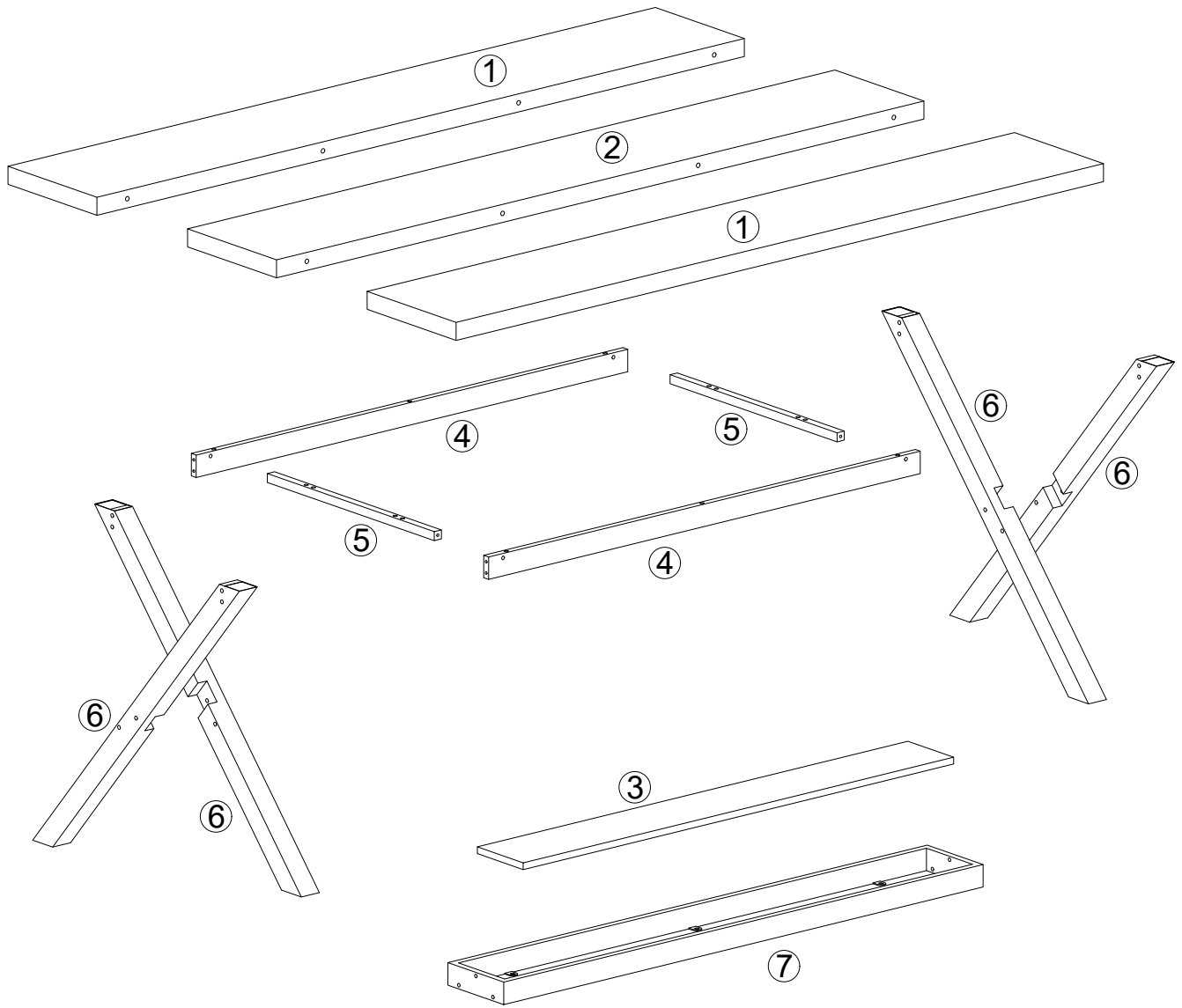
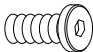
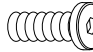
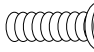
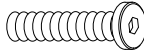
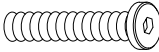
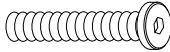


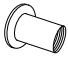


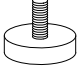

# DT-507-18090



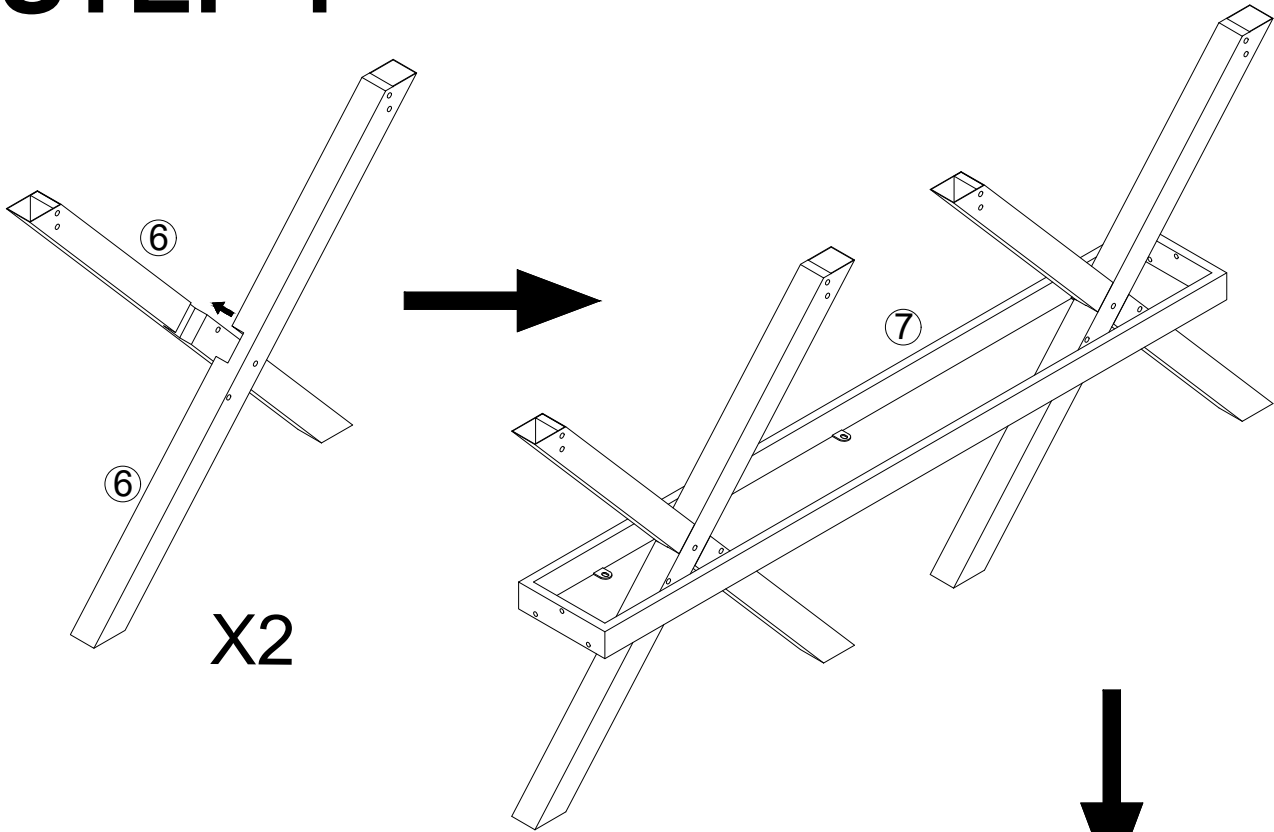
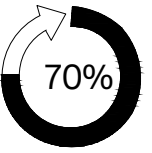
**Notes:** Don't fully tighten screws until all parts are confirmed in place to avoid misalignment.



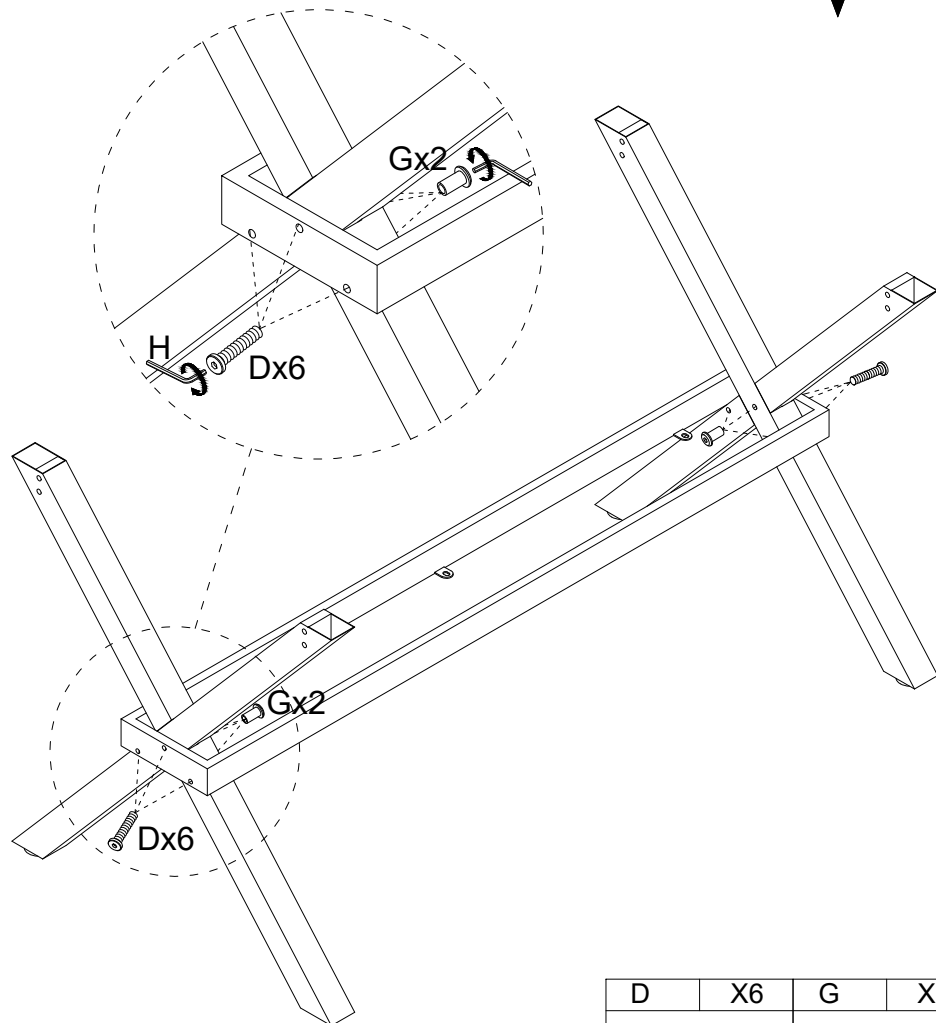
A	X6	B	X8	C	X12	D	X6	E	X6	F	X8
											
M6X12mm		M6X15mm		M6X35mm		M6X58mm		M6X65mm		M6X70mm	

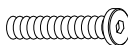


G	X6	H	X2	I	X8	J	X4	K	X4
									
M6X15mm		M4X55mm		Ø10X50mm		M6XØ50mm		40X20mm	

# STEP 1

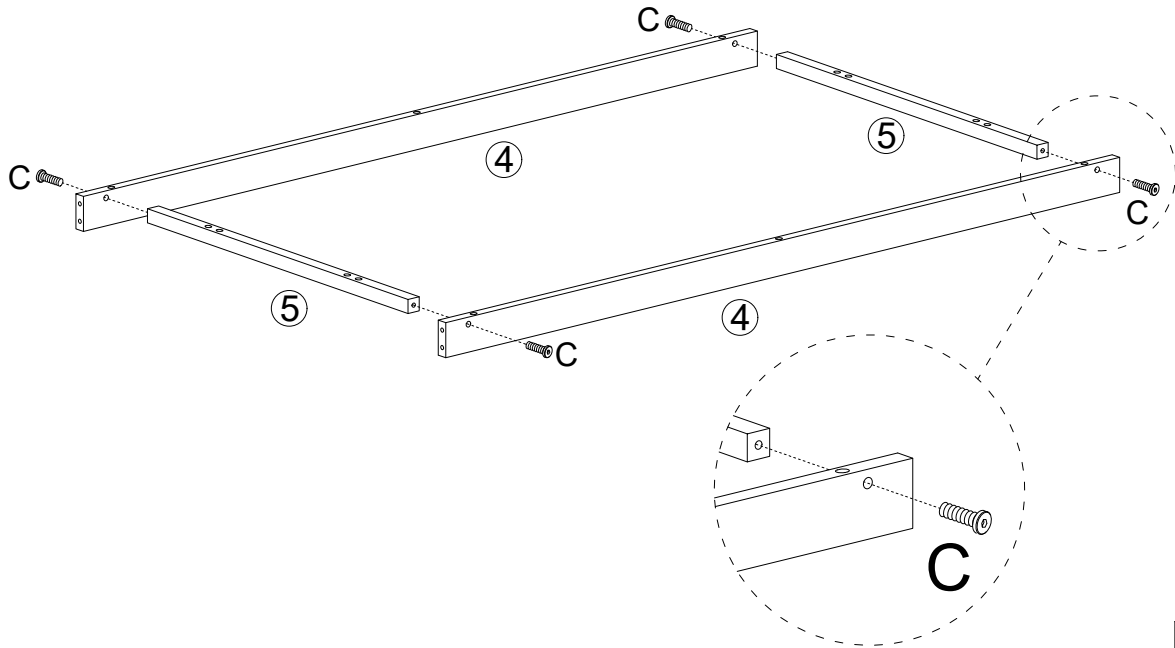
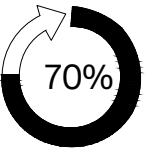


X2



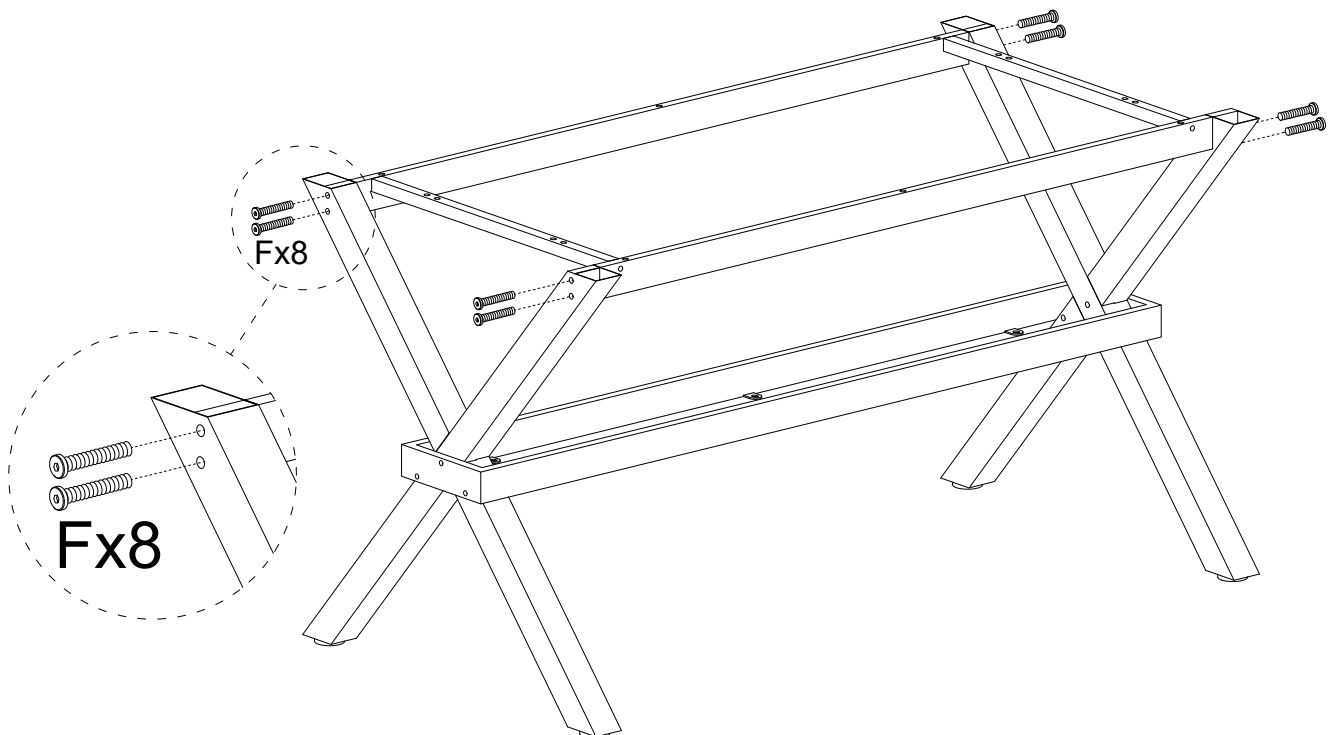
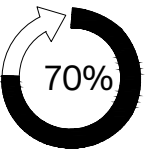
D	X6	G	X6	H	X2
					
M6X58mm		M6X15mm		M4X55mm	

# STEP 2



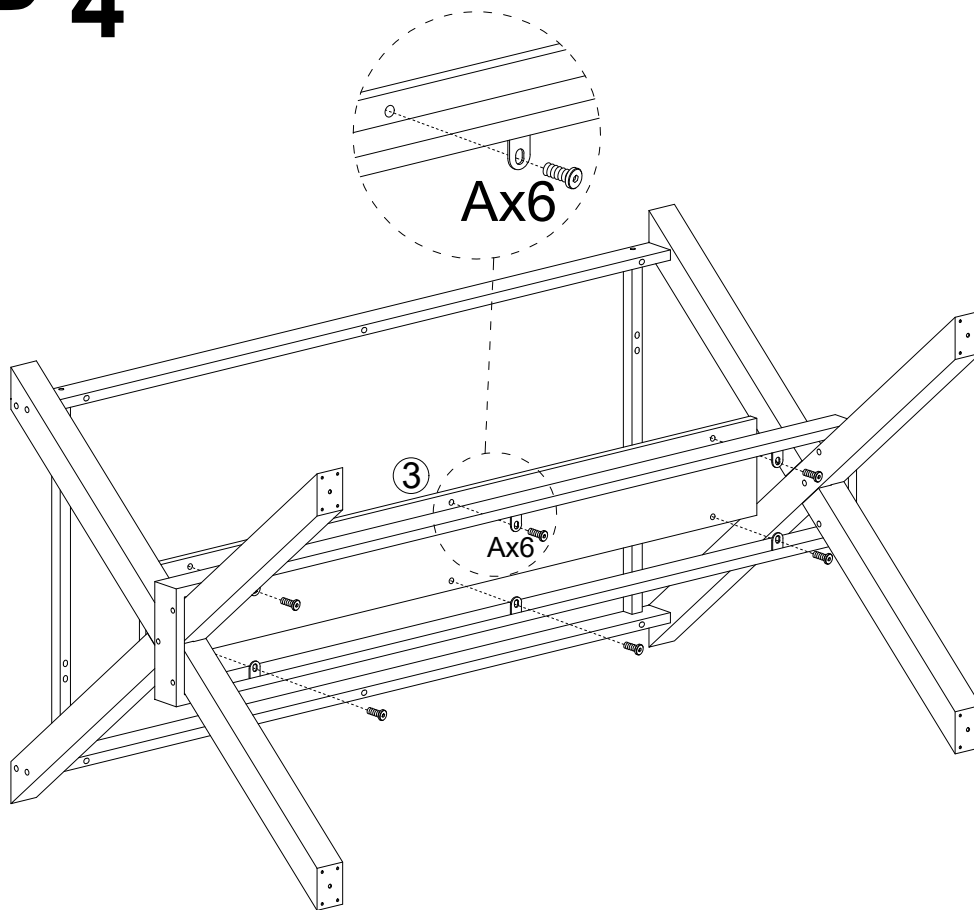
C	X4
M6X35mm	


# STEP 3



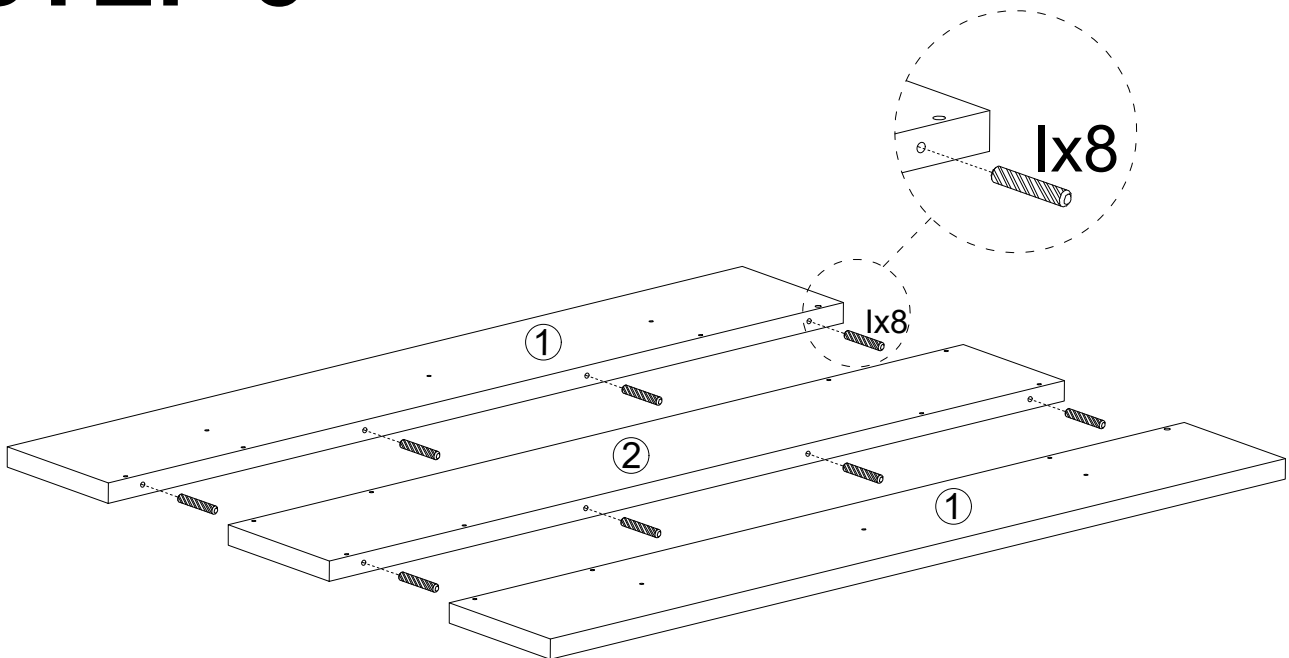
F	X8
M6X70mm	


# STEP 4



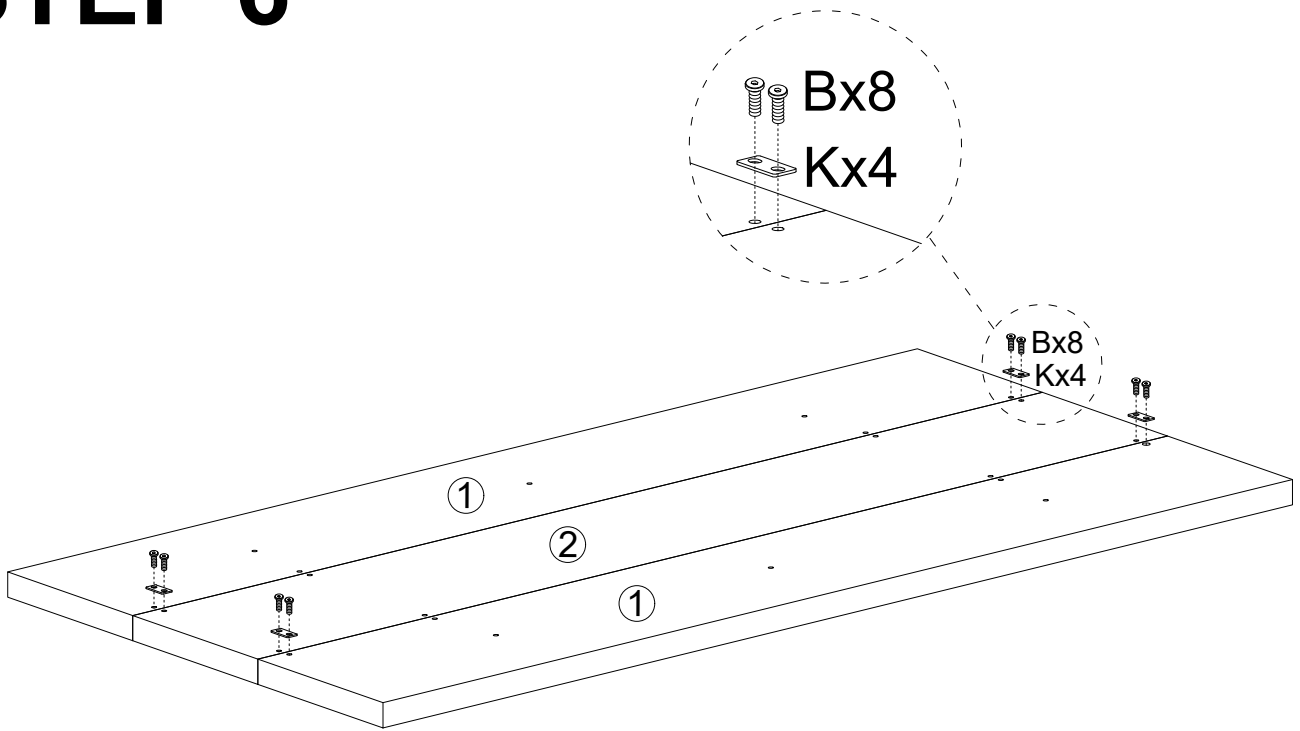
A	X6
	
M6X12mm	

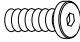

# STEP 5



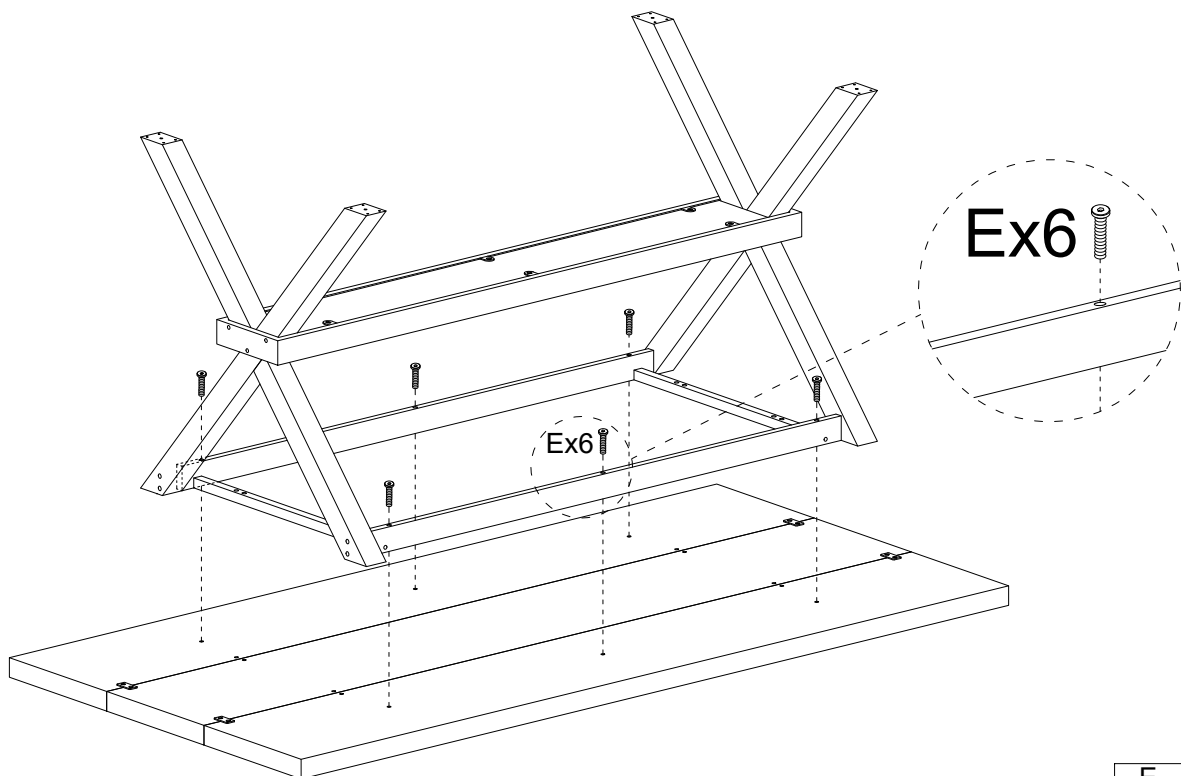
I	X8
	
Ø10X50mm	

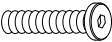
# STEP 6



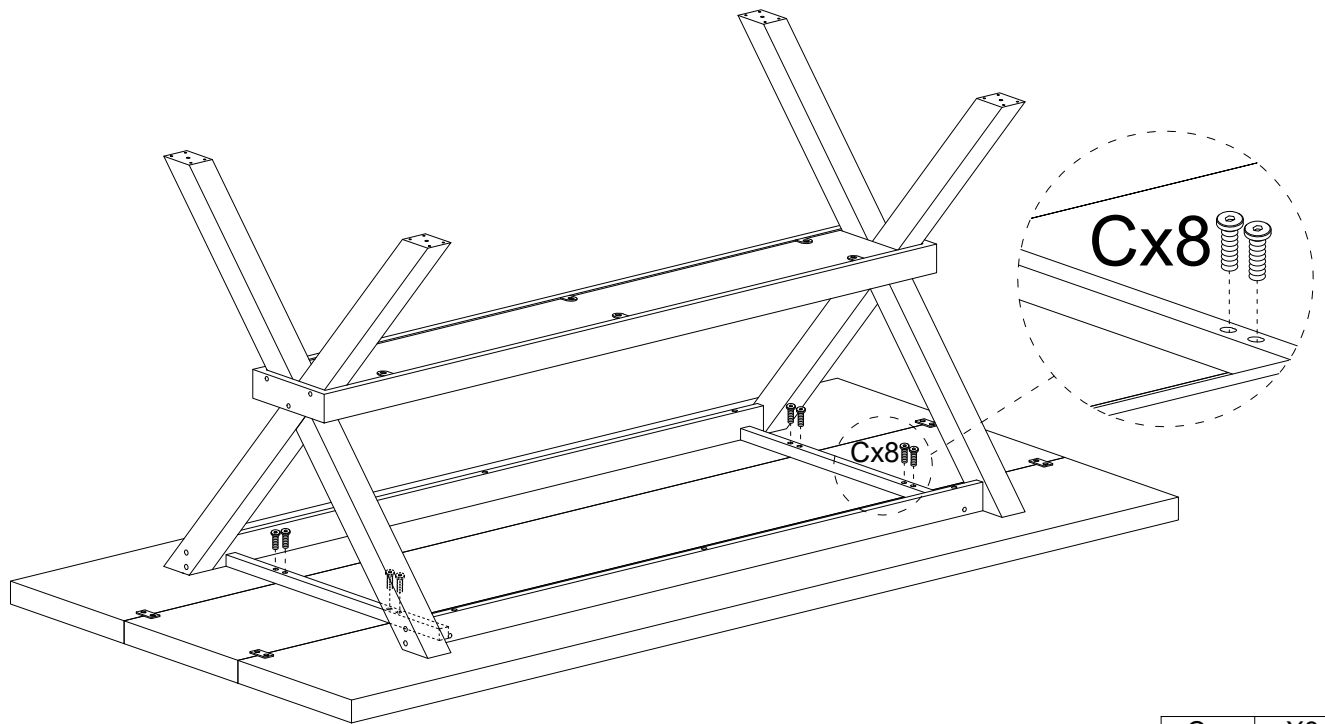
B	X8	K	X4
			
M6X15mm		40X20mm	

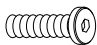
# STEP 7



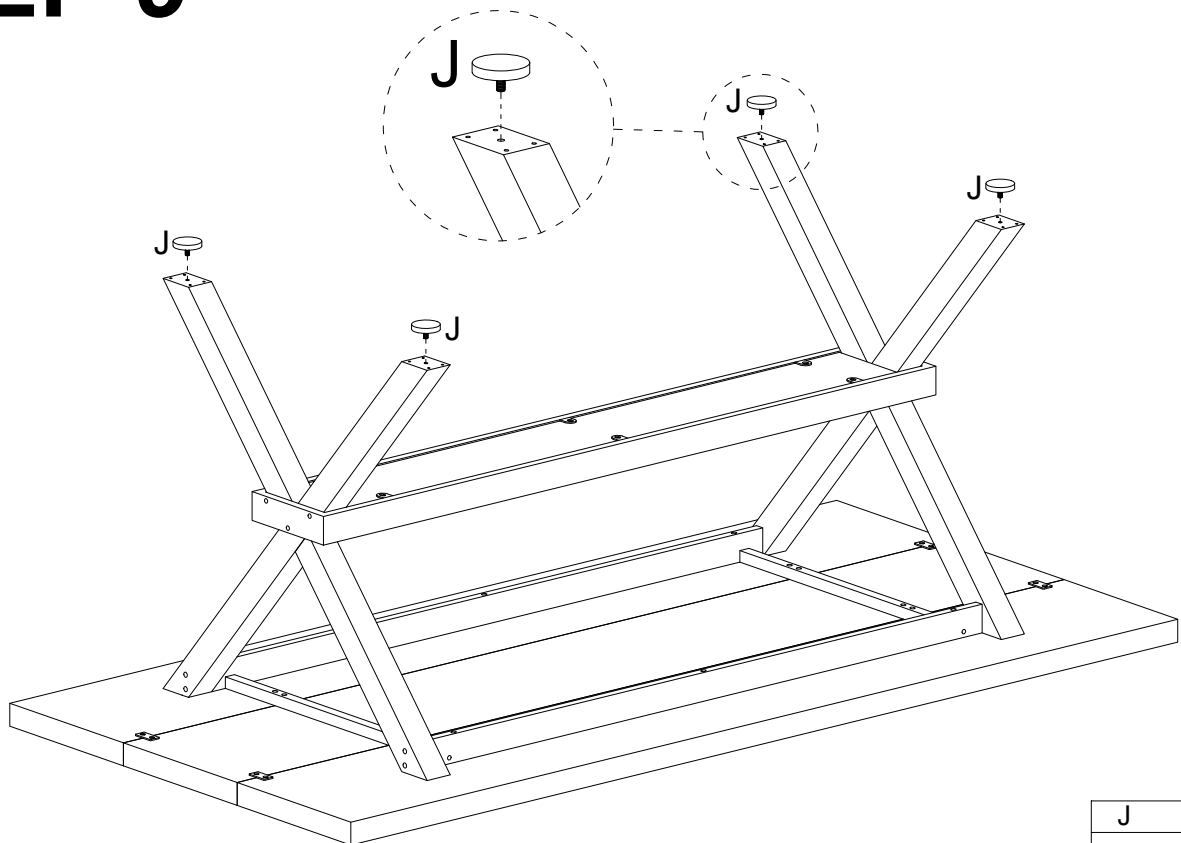
E	X6
	
M6X65mm	

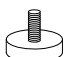
# STEP 8



C	X8
	
M6X35mm	

# STEP 9



J	X4
	
M6XØ50mm	