

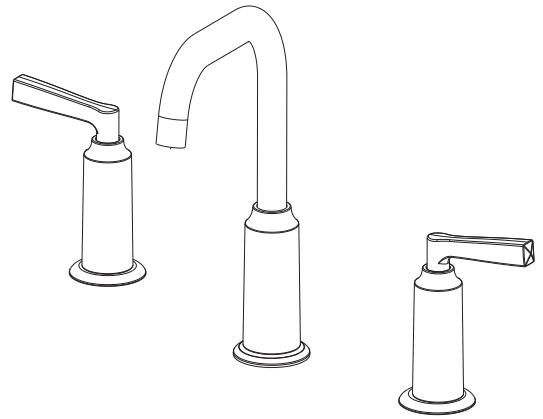


# Installation Instructions

St. Lucia  
BA-400-02

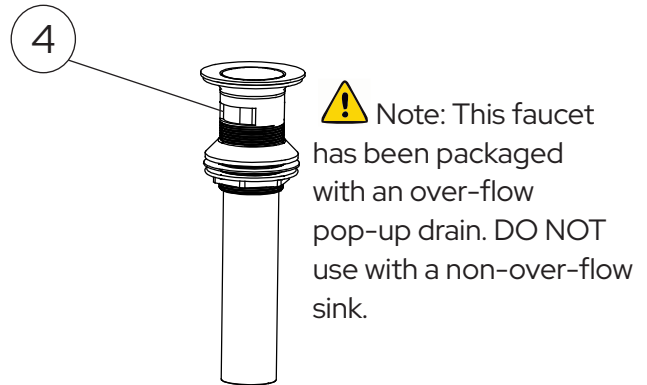
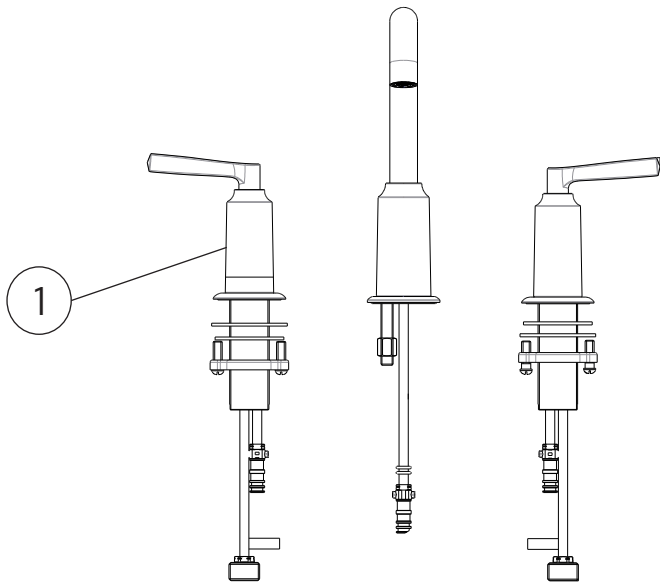
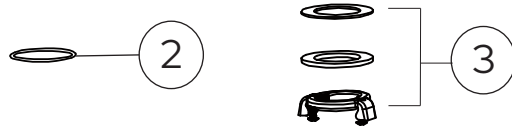
Two Handle Widespread Bathroom Faucet

Thank you for selecting Lulani.  
To ensure that your installation proceeds smoothly, please read these instructions carefully before you begin.



## Parts Included

- 1. Faucet
- 2. Above sink hardware: rubber O-ring
- 3. Below sink hardware: rubber washer, metal washer, mounting nut
- 4. Over-flow pop-up drain



## Recommended Tools (not included)

- 1. Adjustable Wrench
- 2. Phillips Screwdriver
- 3. Safety Goggles
- 4. Flashlight
- 5. Plumber's Tape
- 6. Measuring Tape
- 7. Plumber's Putty
- 8. Channel Locks
- 9. Allen Key



### Caution: Tips for removal of old faucet

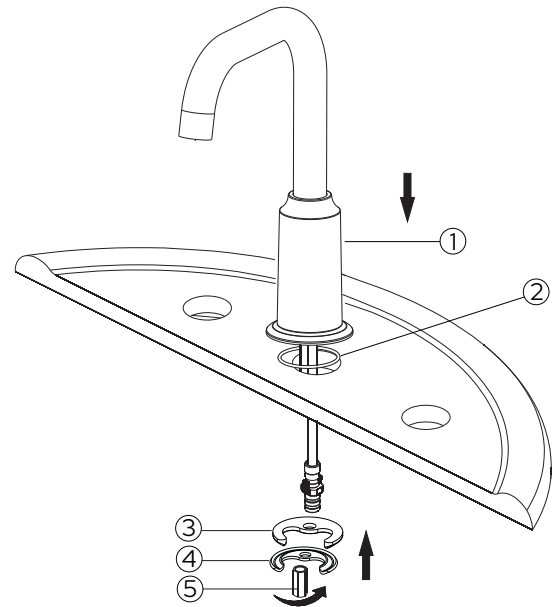
Always turn off the water supply before removing the existing faucet or replacing any part of the faucet. Open the faucet handle to relieve water pressure and ensure that water is completely shut off.

### Maintenance

Your new faucet is designed for years of trouble-free performance. Keep it looking new by cleaning it periodically with a soft cloth. Avoid abrasive cleaners, steel wool, and harsh chemicals as these will dull the finish and void your warranty.

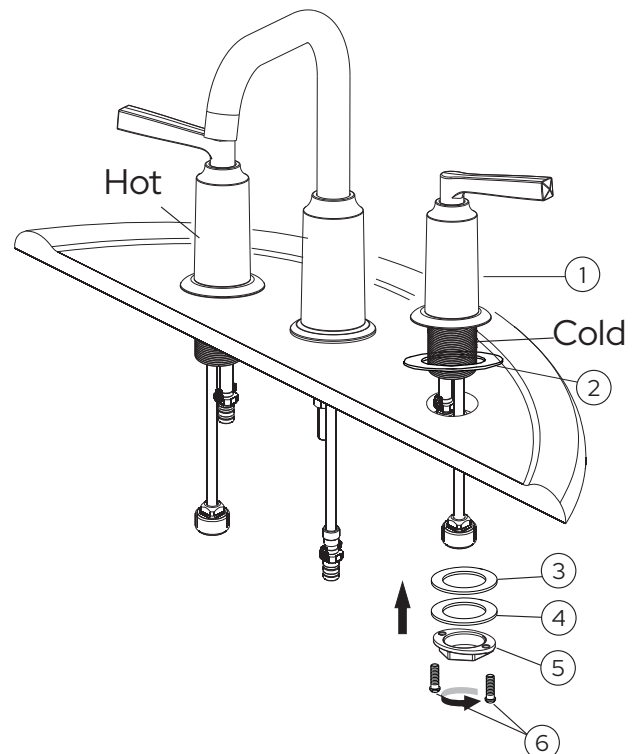
### Step 1

Place the faucet body (1) and rubber O-ring (2) through the middle sink hole. From underneath the sink, secure the spout with the rubber washer (3), metal washer (4) and tighten the lock nut (5) with an adjustable wrench. **Do not over tighten!**



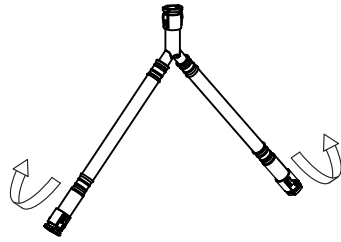
### Step 2

Place the handles (1) in to the surrounding holes. Make sure that the rubber O-ring (2) is on the top side of the mounting surface. When installing the handles, make sure that the Hot handle is placed in the left hole and the Cold handle is placed in the right hole, as shown in the image. From underneath the sink, secure the handle with the rubber washer (3), metal washer (4), and mounting nut (5). Tighten the screws (6) on to the mounting nut with a Phillips screwdriver. Repeat these actions for both handles.



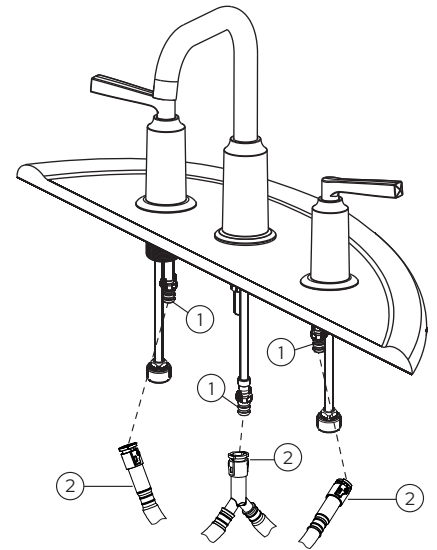
### Step 3

Connect the "quick connect" hose (2) to the male end of the tail pipes (1) of both handles and the faucet. You will hear a "click" when it has been successfully connected.



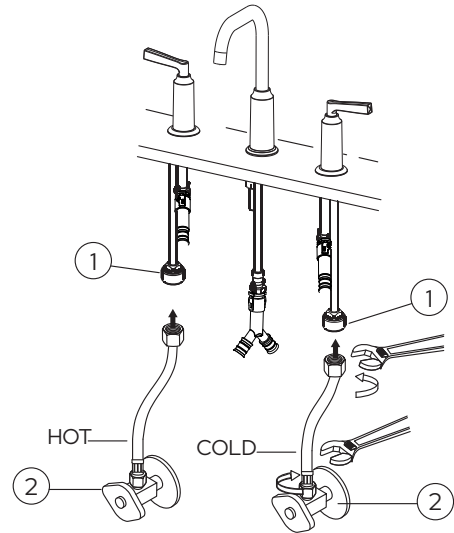
\*"Quick Connect" Hose

\*Note: The legs of the "quick connect" hose will need to be bent upwards to connect to the faucet.



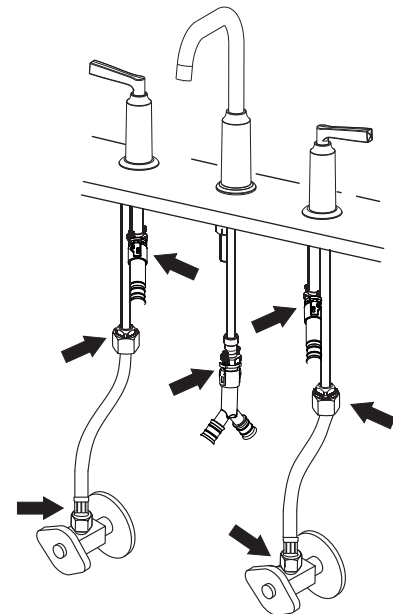
### Step 4

Connect the water supply lines to the female ends of the tail pipes (1) and to the hot and cold water supply valves (2). Secure and tighten with an adjustable wrench. Caution: Be careful not to mix up the hot and cold supply lines.



### Step 5

Check all connections (shown with arrows in the image) for leaks. Re-tighten if necessary. **Do not over tighten!**



## Step 6

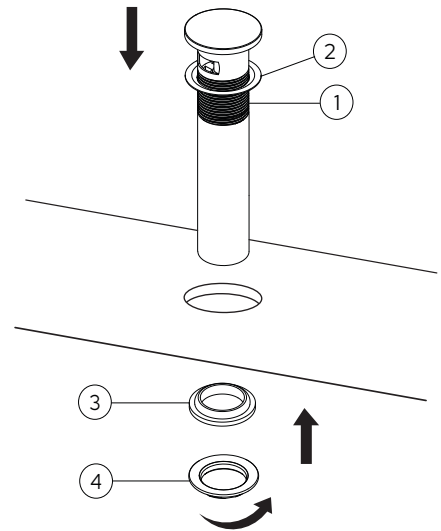
From the top of the drain hole, place the drain (1) through the installation hole. Make sure that the rubber o-ring (2) is on the top side of the sink. From under the drain hole, install the rubber gasket (3) and metal nut (4) by hand twisting on to the tail pipe of the drain. Then, install the tail pipe to the wall plumbing.

\*Note: Lulani faucets are packaged with over-flow drains by default. If you have a specialty sink and need a NON-over-flow drain, use the QR code below to view our alternative drain options. Use code [FREEDRAIN] at checkout to receive a free drain, just pay for shipping.



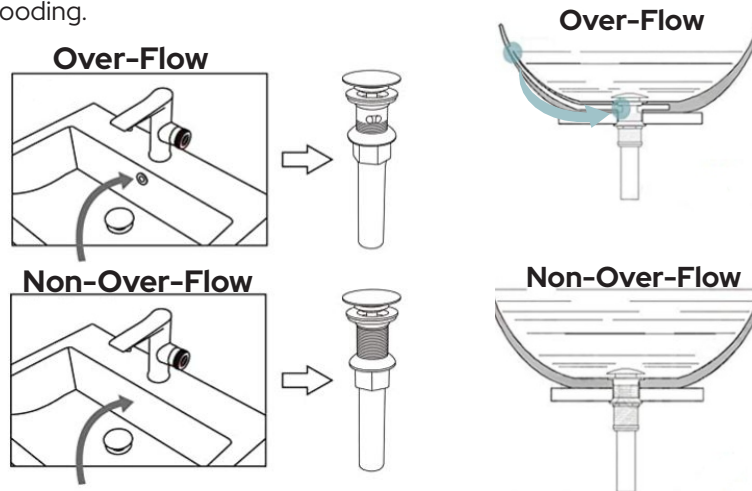
\*Limit of 1-time use per customer

\*Limited to the number of faucets purchased



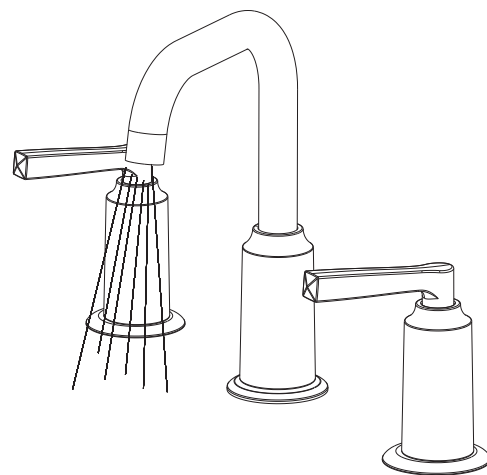
## What's an over-flow pop-up drain?

The primary purpose of the over-flow drain is to help your sink drain faster. The over-flow on the drain works in coordination with the primary drain to prevent flooding.



## Step 7

After installation is complete, remove the aerator to flush for any possible debris. Turn the faucet handle all the way on, turn on the hot and cold water supply and flush water lines for one minute. Re-install the aerator once complete.



Congratulations! You've successfully finished installing your new faucet. For troubleshooting questions or concerns, please reference the Owner's Manual or visit our website at [www.lulani.com](http://www.lulani.com).

We value your opinion! Don't forget to leave us a review.