

**Vanity Lights**

B04-2406B-DS-A

Thank you for purchasing our products. To ensure a better shopping experience, please follow the instructions for use step by step.

**Notes/Warnings:**

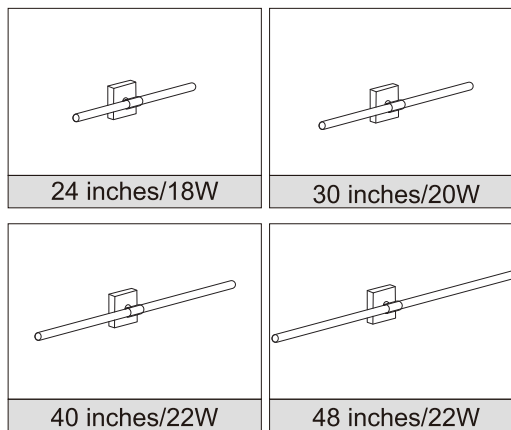
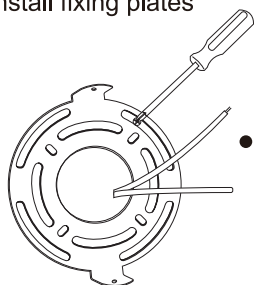
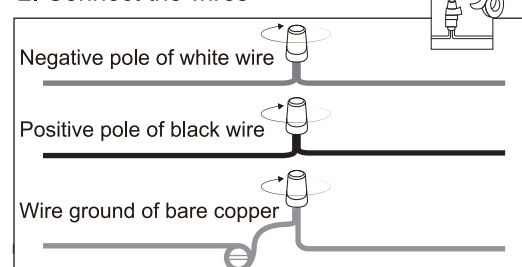
- 1> Please ensure installation on a stable surface.
- 2> Prior to installation, please power off the device.
- 3> Verify all components upon receipt. If any parts are missing or damaged, please contact your supplier.
- 4> Once installed, switch on the power to activate the lamp.

**Product Parameters Table:**

Model	Input Voltage	CRI	Color Temperature	IP Rating	Ta
VLY002	AC90-132V/ 60Hz	>85	3500K	IP44	-25°C-40°C
VLF002	AC90-132V/ 60Hz	>85	3500K	IP44	-25°C-40°C

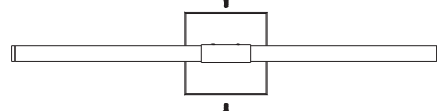
1

2

**Product Diagram:****Installation Diagram:****1. Install fixing plates****2. Connect the wires**

Tighten the screw cap first, and then wrap it with electrical tape.

3

**3. Fix the installation**

Insert the chassis into the fixing plate, tighten the upper and lower screws, and the installation is complete.

**After-sale Service:**

- 1> The warranty period is calculated from the date of purchase, please keep your purchase invoice or relevant vouchers as the necessary basis for warranty service.
- 2> Within 2 years from the date of purchase, customers can enjoy the free warranty service provided by our company.
- 3> If you have any questions about the product, please contact our customer service, our after-sales team will contact you at the first time, and solve any problems about the product.

**IP44**

Manufacturer: tongyue guangdian keji jiangmen co.,ltd

Address: jiangmenshi pengjiangqu hetangzhen kangxishangweibeisanlu  
6 hao 1dong 301 guangdong China (E-mail: tongyueled@163.com)

MADE IN CHINA

4