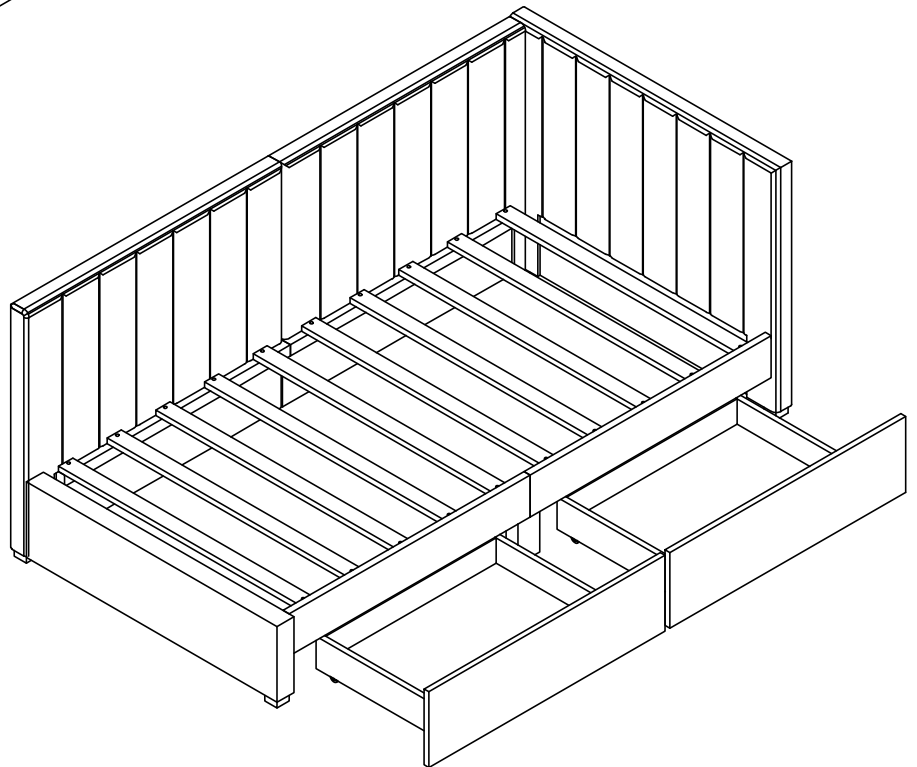
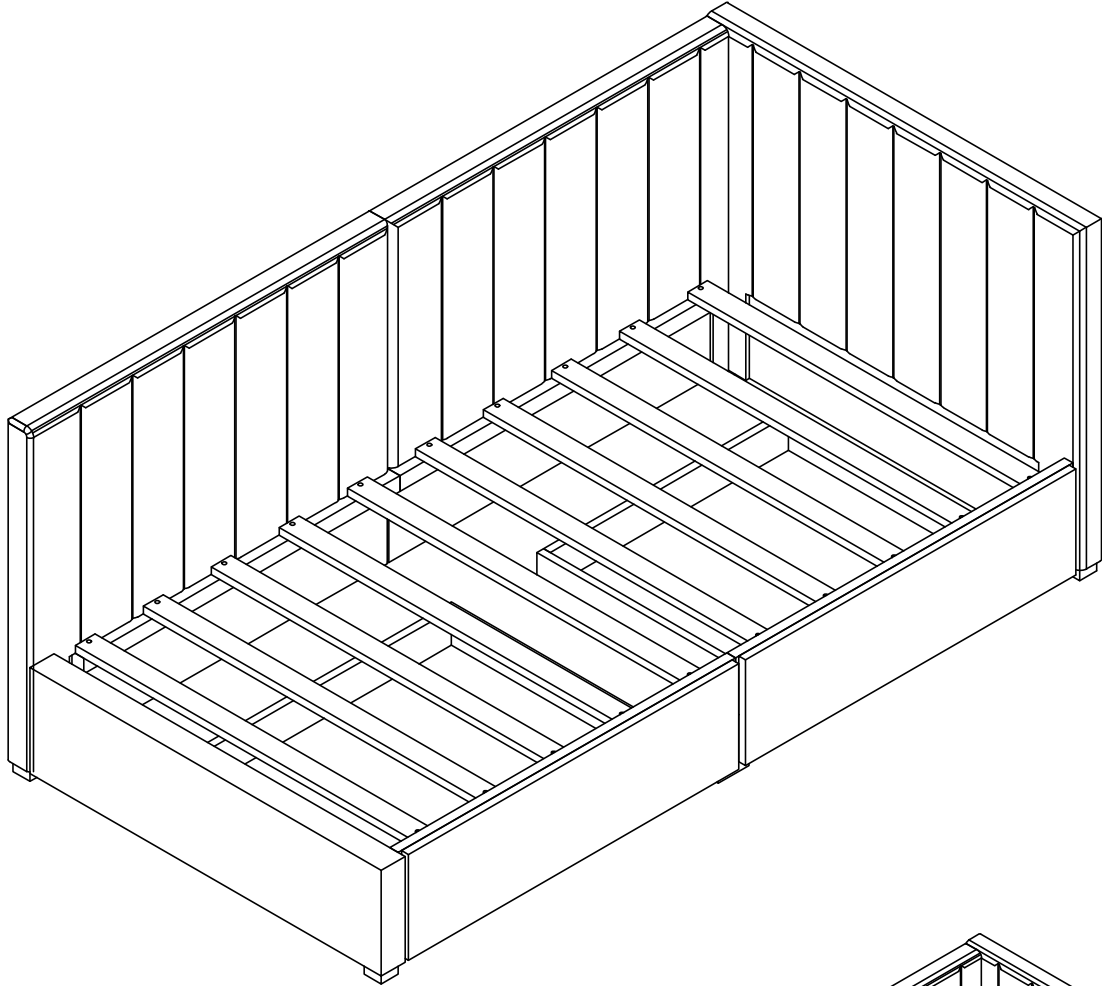
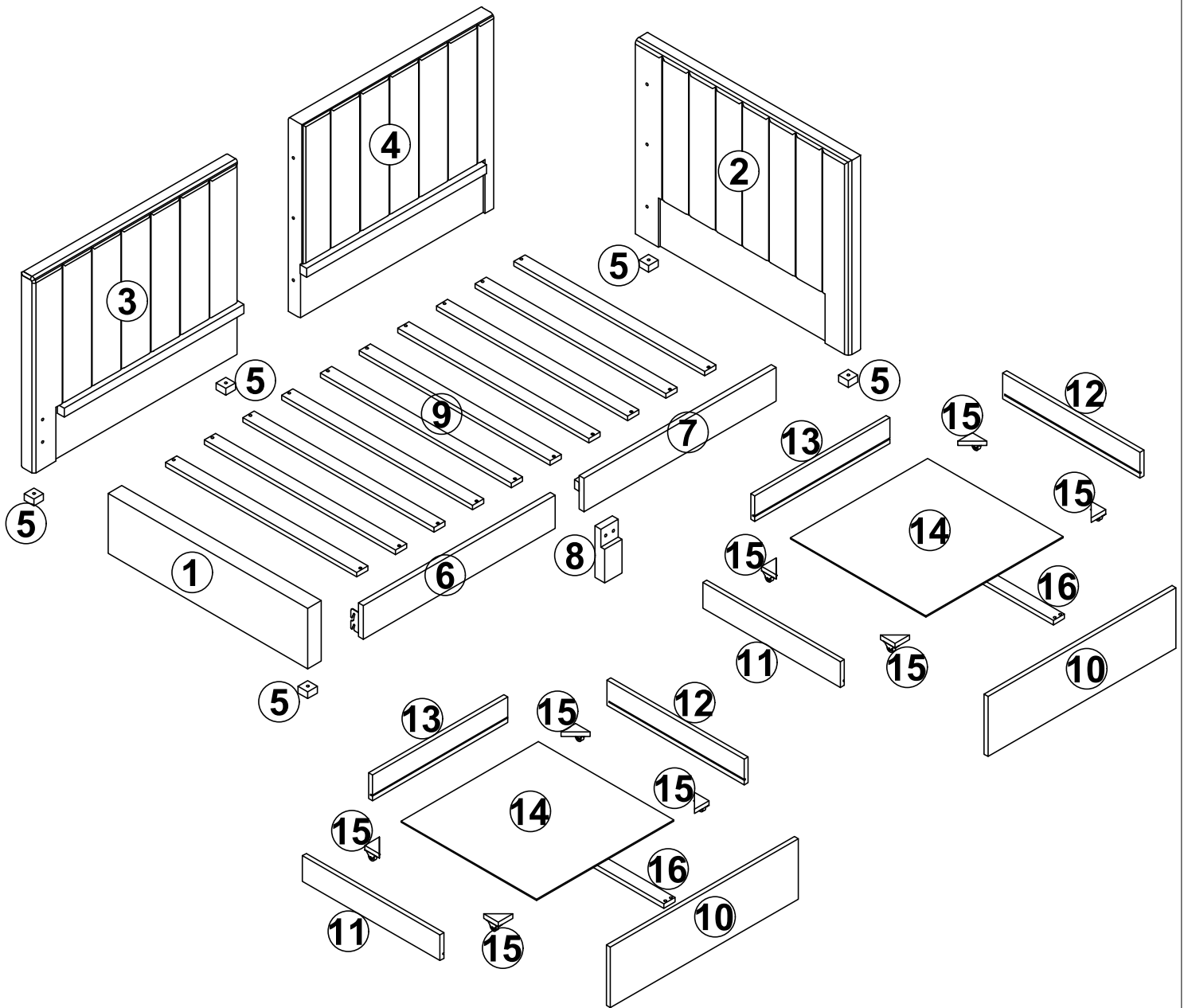


ASSEMBLY INSTRUCTION

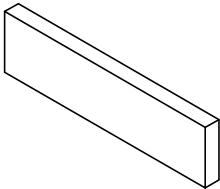
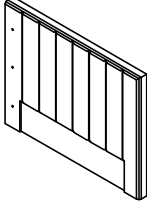
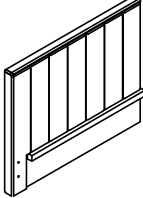
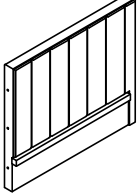
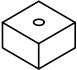
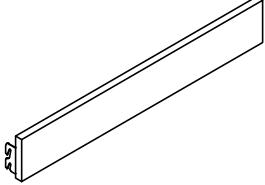
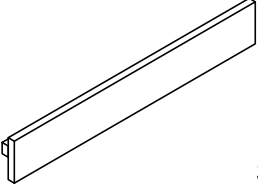

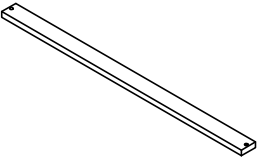
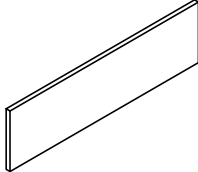
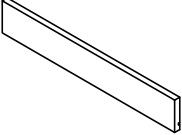
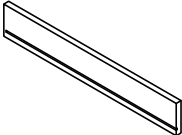
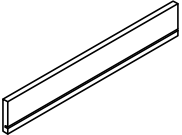
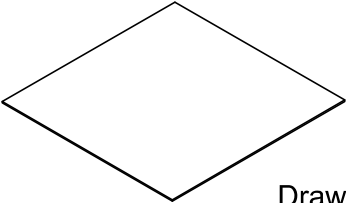
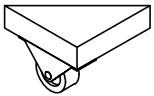



Detail View - TWIN BED WITH TWO DRAWERS


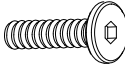
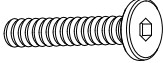
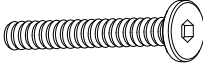








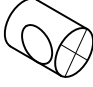


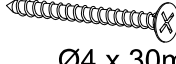
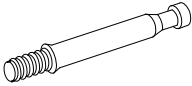

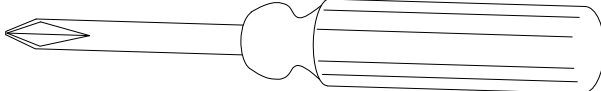


Identifying the Hardware - Identify the hardware using the illustrations below.

Part Lists

<p>1</p>  <p>Footboard-1pc</p>	<p>2</p>  <p>Headboard-1pc</p>
<p>3</p>  <p>Back panel 1 - 1pc</p>	<p>4</p>  <p>Back panel 2 -1pc</p>
<p>5</p>  <p>Bed leg -5pcs</p>	<p>6</p>  <p>Side rail 1 -1pc</p>
<p>7</p>  <p>Side rail 2 - 1pc</p>	<p>8</p>  <p>Side rail support leg - 1pc</p>
<p>9</p>  <p>Bed slat - 10pcs</p>	<p>10</p>  <p>Drawer front - 2pcs</p>
<p>11</p>  <p>Left drawer side - 2pcs</p>	<p>12</p>  <p>Right drawer side - 2pcs</p>
<p>13</p>  <p>Drawer back - 2pcs</p>	<p>14</p>  <p>Drawer bottom - 2pcs</p>
<p>15</p>  <p>Wheel support - 8pcs</p>	<p>16</p>  <p>Drawer bottom support bar -2pcs</p>

HARDWARE LISTS

A	 4mm Allen key (1pc)	B	 Ø5/16" x 20mm Hex-head bolt (4pcs)
C	 Ø5/16" x 30mm Hex-head bolt (6pcs)	D	 Ø5/16" x 40mm Hex-head bolt (5pcs)
E	 Ø5/16" Spring washer (15pcs)	F	 Ø5/16" Flat washer(15pcs)
G	 Ø5/16" x 70mm Hanger bolt (2pcs)	H	 Half moon (2pcs)
I	 Ø5/16" Nut (2pcs)	J	 Wrench (1pc)
K	 Ø1/4" x 30mm Hex-head bolt (2pcs)	L	 Ø1/4" x 50mm Hex-head bolt (8pcs)
M	 Ø1/4" Barrel nut (8pcs)	N	 Ø1/4" Spring washer (10pcs)
Q	 Ø1/4" Flat washer(10pcs)	R	 Ø4 x 30mm Wood screw (44pcs)
S	 Cam bolt (8pcs)	T	 Cam lock(8pcs)
 ASSEMBLY TOOLS REQUIRED (NOT INCLUDED)			



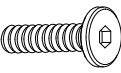
Read this instruction carefully. See hardware and furniture part list for guidance. Be sure all parts are complete, before you assemble. Place all wooden furniture parts on a clean and flat soft surface to prevent from being scratched. Follow the figure to start assembling.

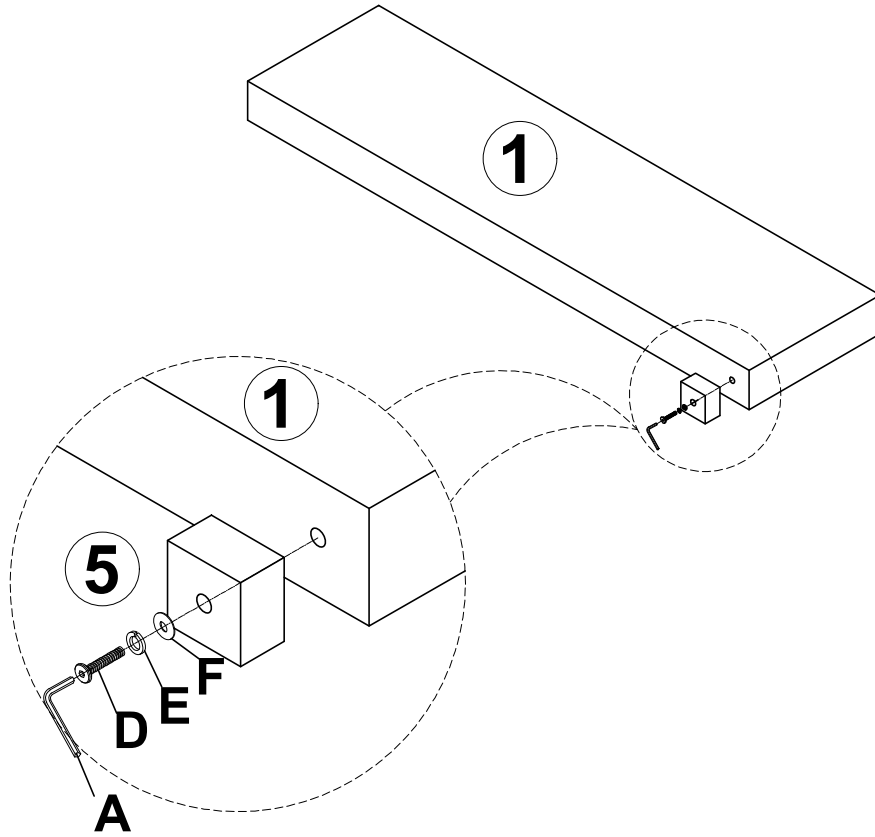
CAUTIONS :

1. Do not FULLY - TIGHTEN the nut or nut bolt until all nut or bolt is ready assembled.
2. Do not OVER - TIGHTEN the nut or bolt to avoid causing damages to the thread.
3. Keep all hardware parts out of reach of children.




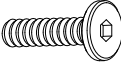
NOTE : THE LIST AND QUANTITY SHOWN ARE FOR 1 UNIT ASSEMBLY.

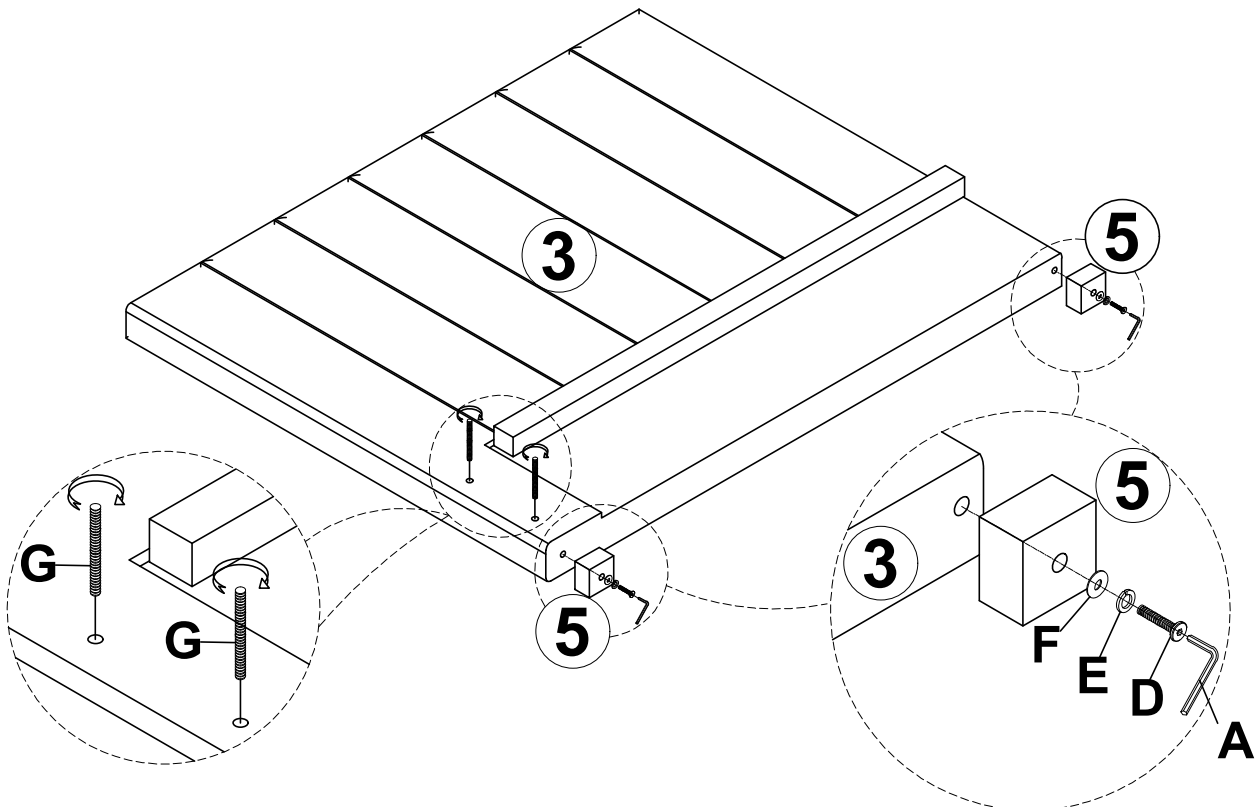
STEP 1

F		E		D	
	1PC		1PC		1PC



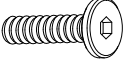


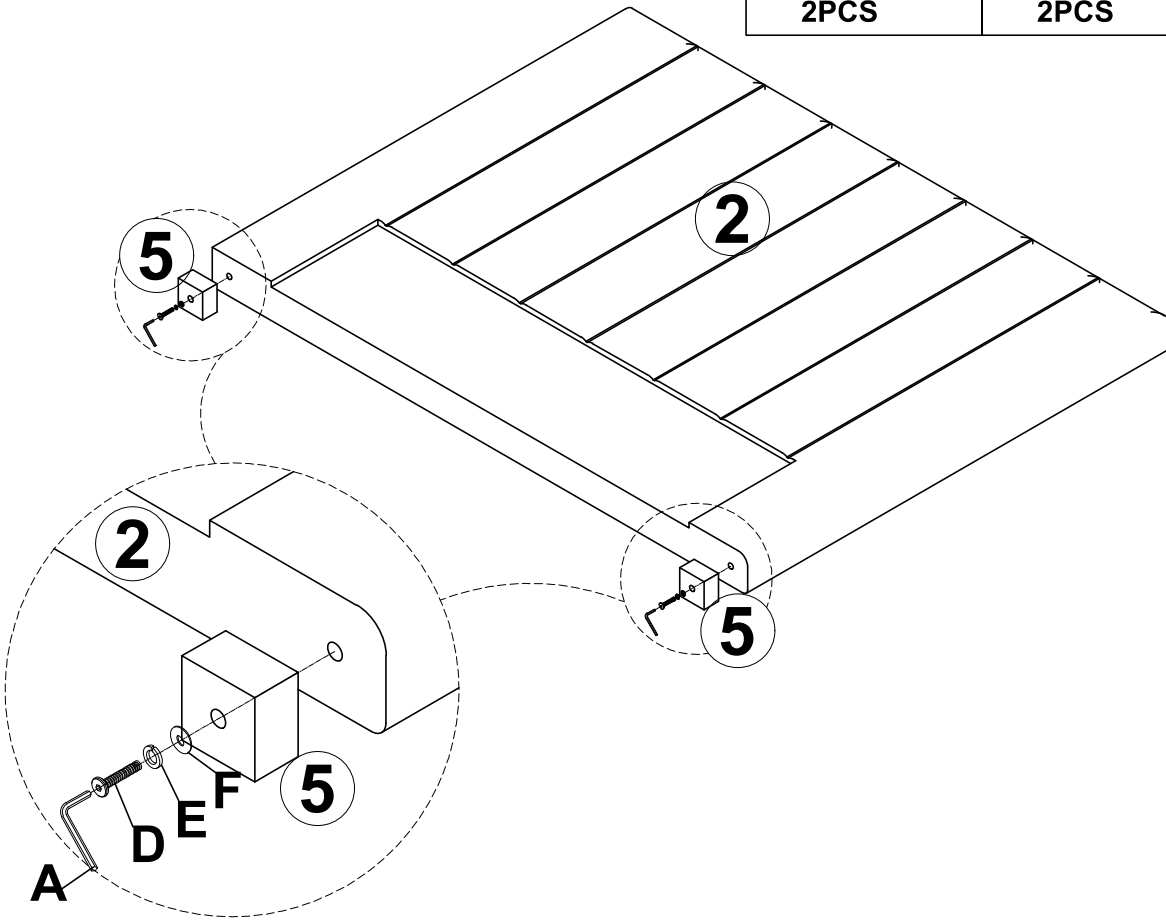
STEP 2

G		F		E		D	
	2PCS		2PCS		2PCS		2PCS



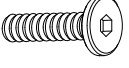


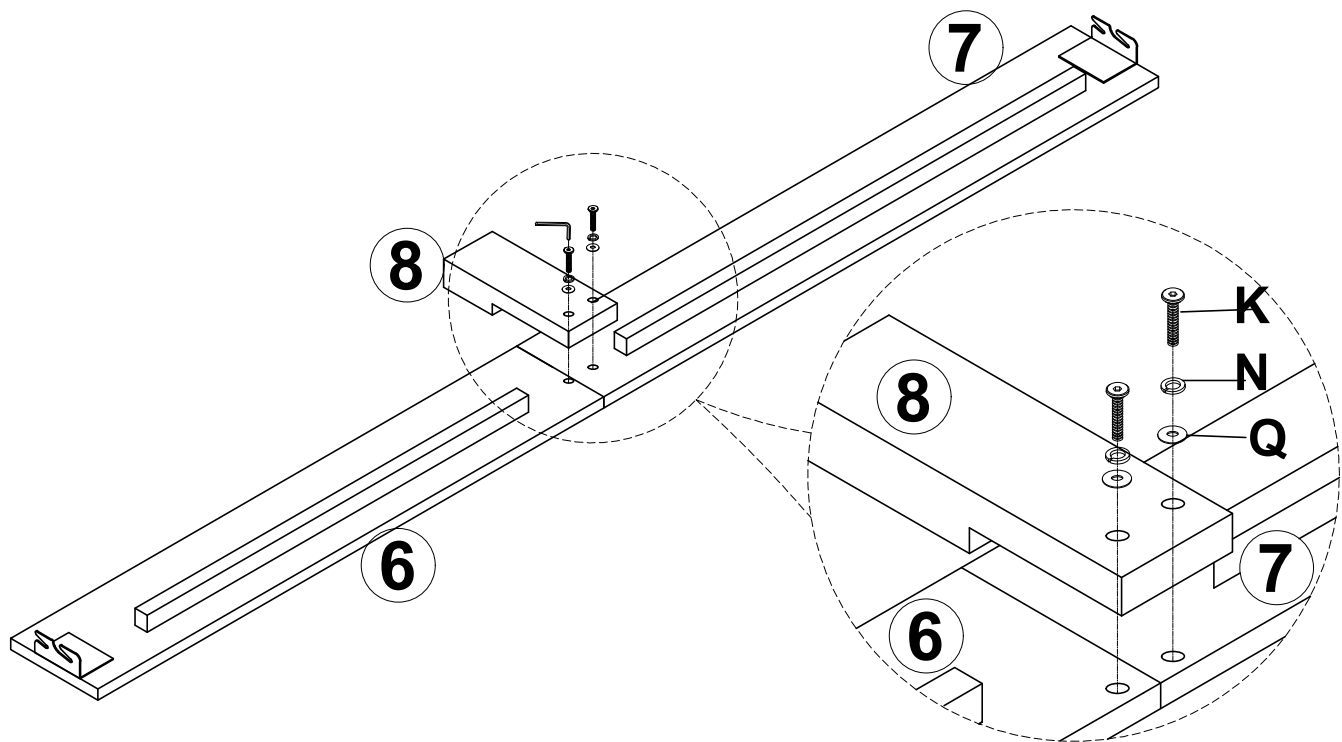
STEP 3

F		E		D	
2PCS		2PCS		2PCS	



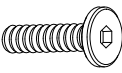


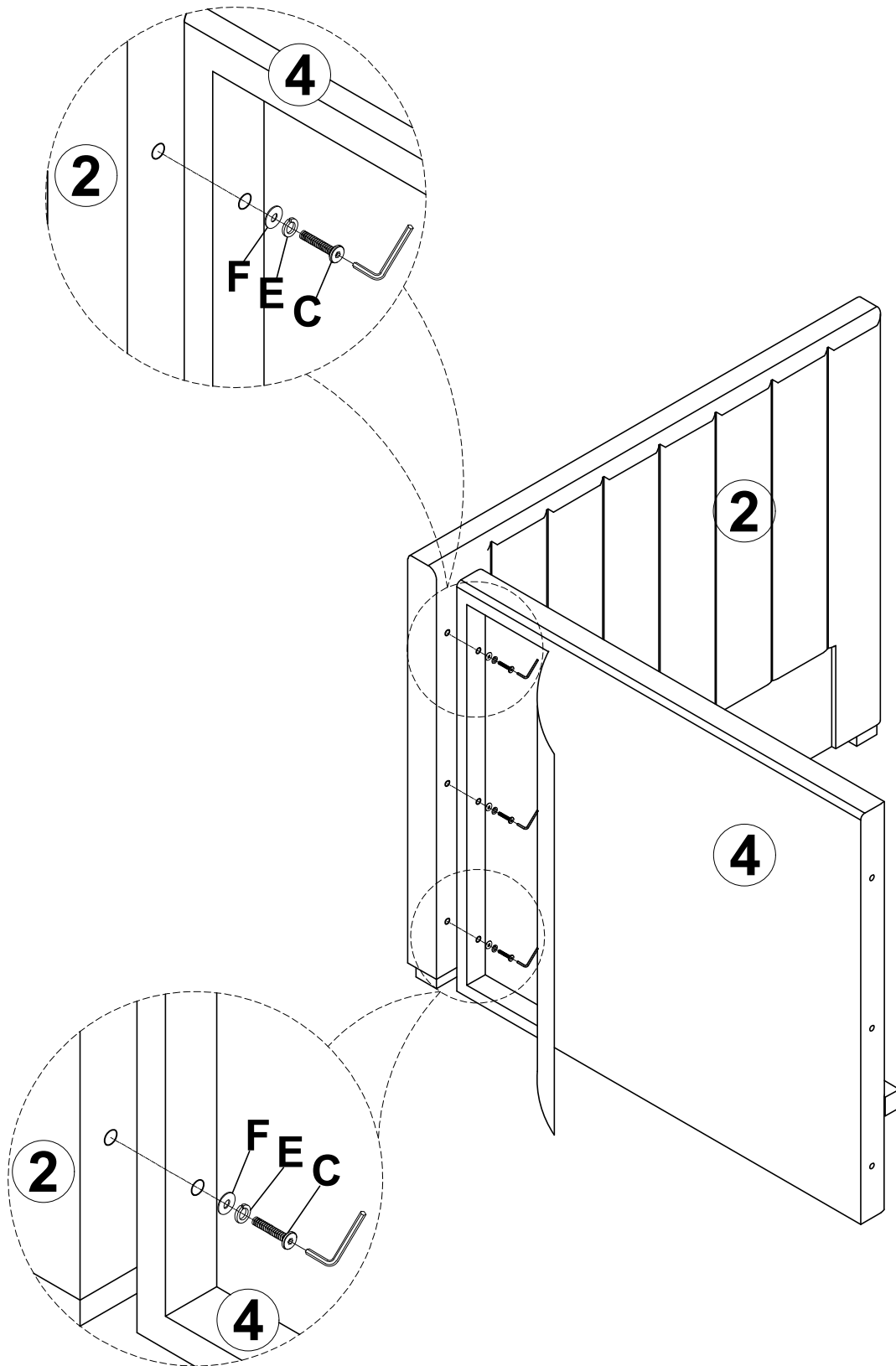
STEP 4

Q		N		K	
2PCS		2PCS		2PCS	



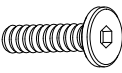


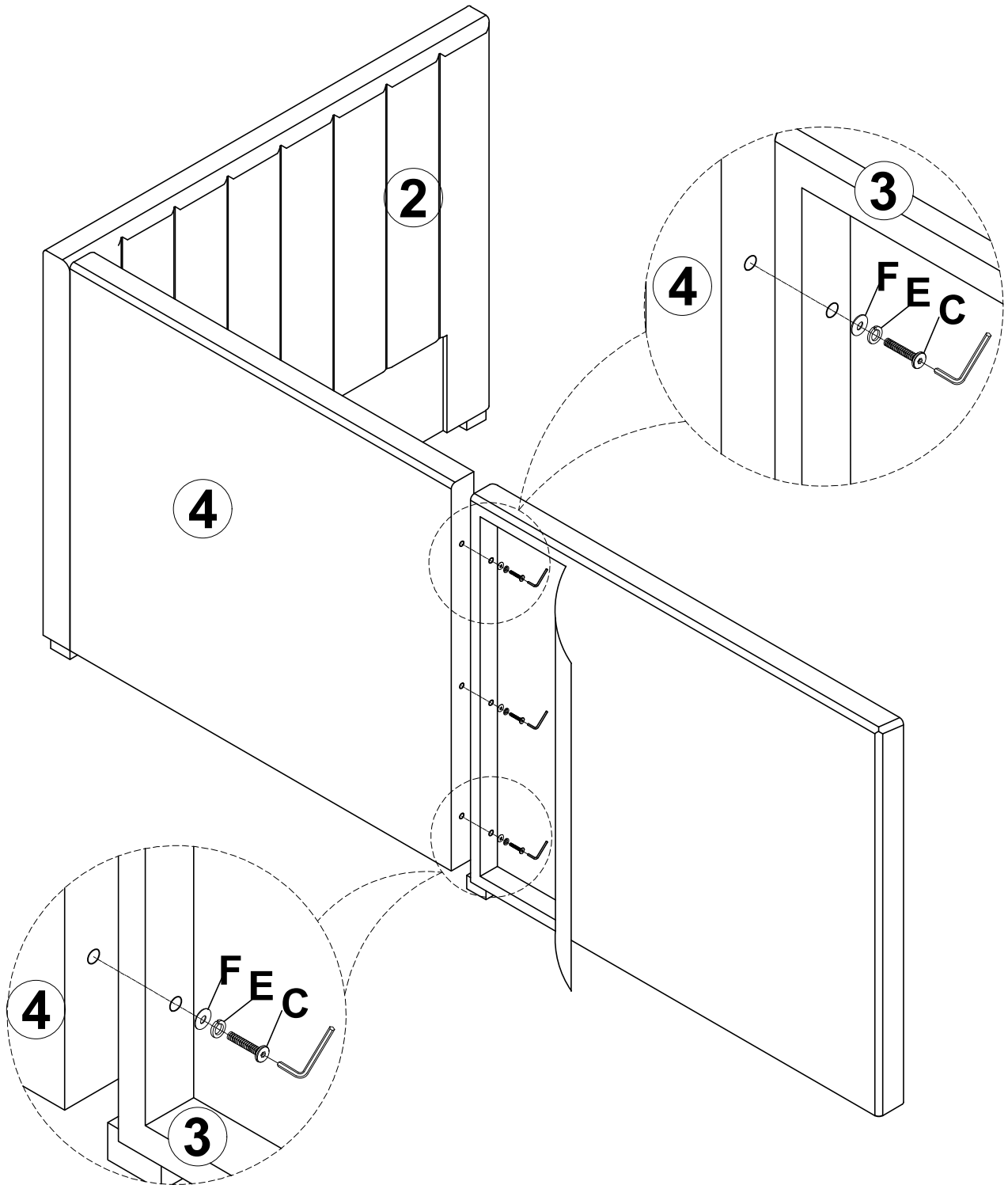
STEP 5

F		E		C	
3PCS		3PCS		3PCS	






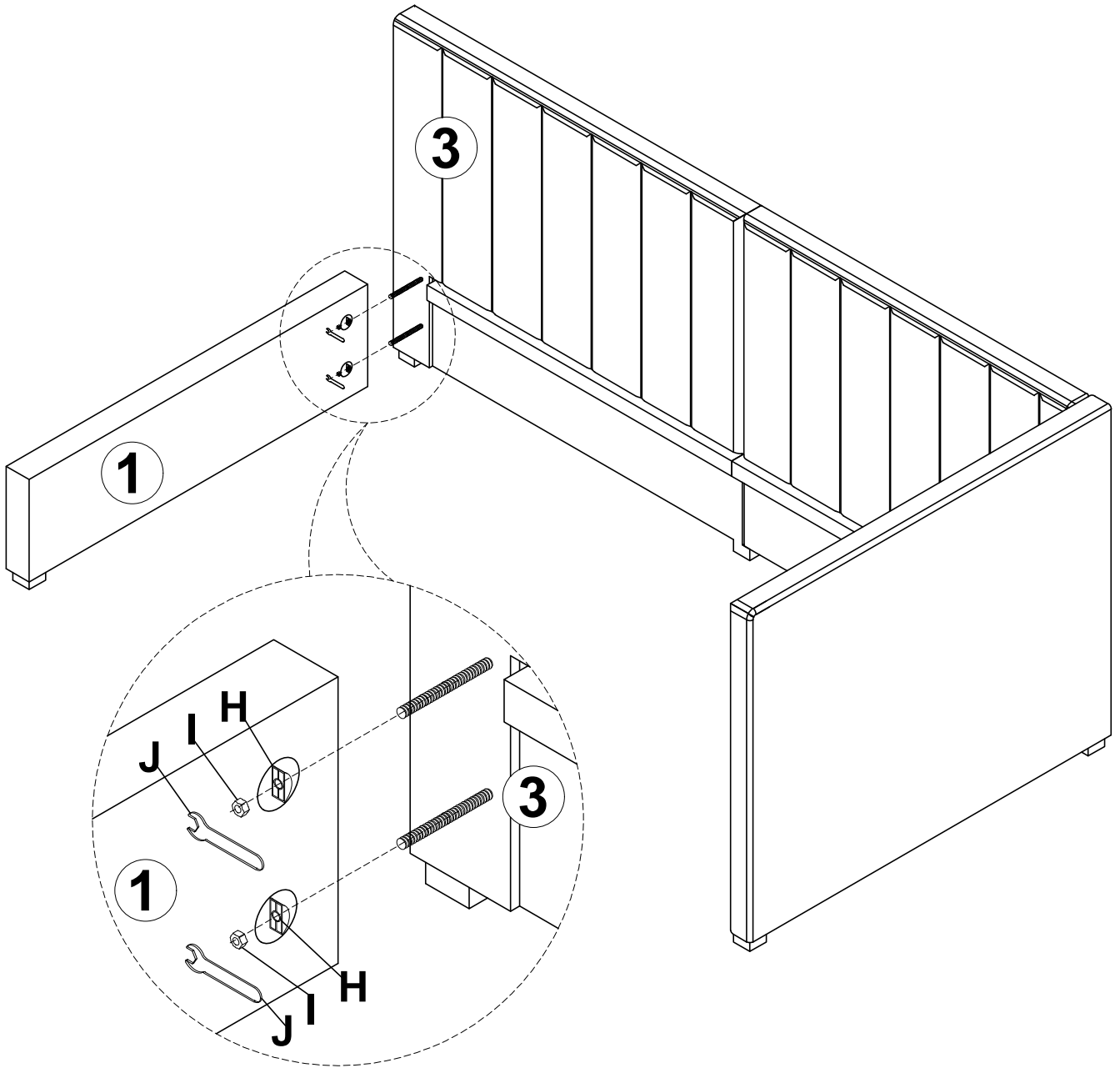
STEP 6

F 	E 	C 
3PCS	3PCS	3PCS



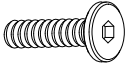


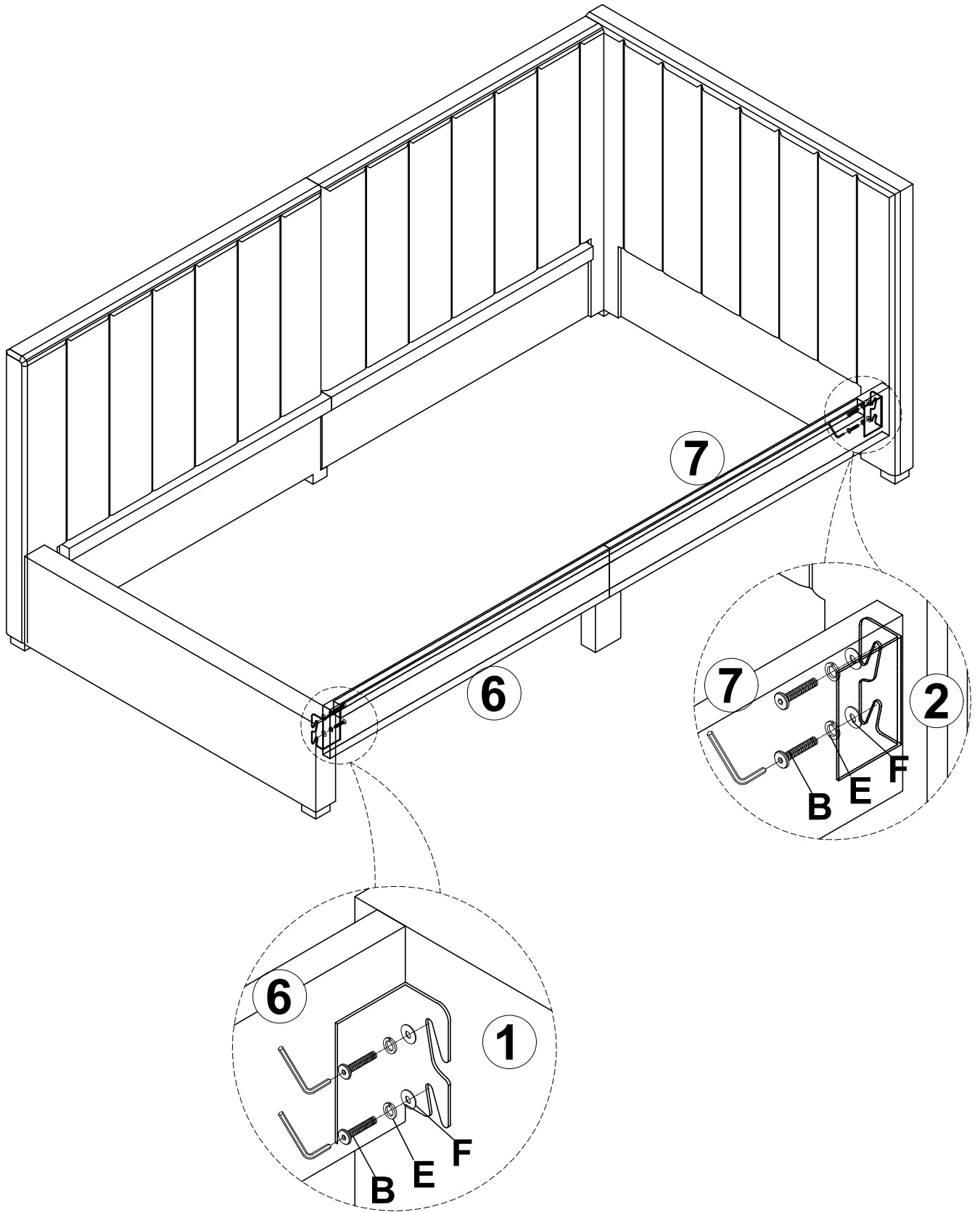
STEP 7

J		I		H	
1PC		2PCS		2PCS	



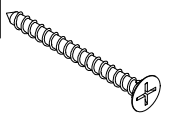
STEP 8

F 	E 	B 
4PCS	4PCS	4PCS

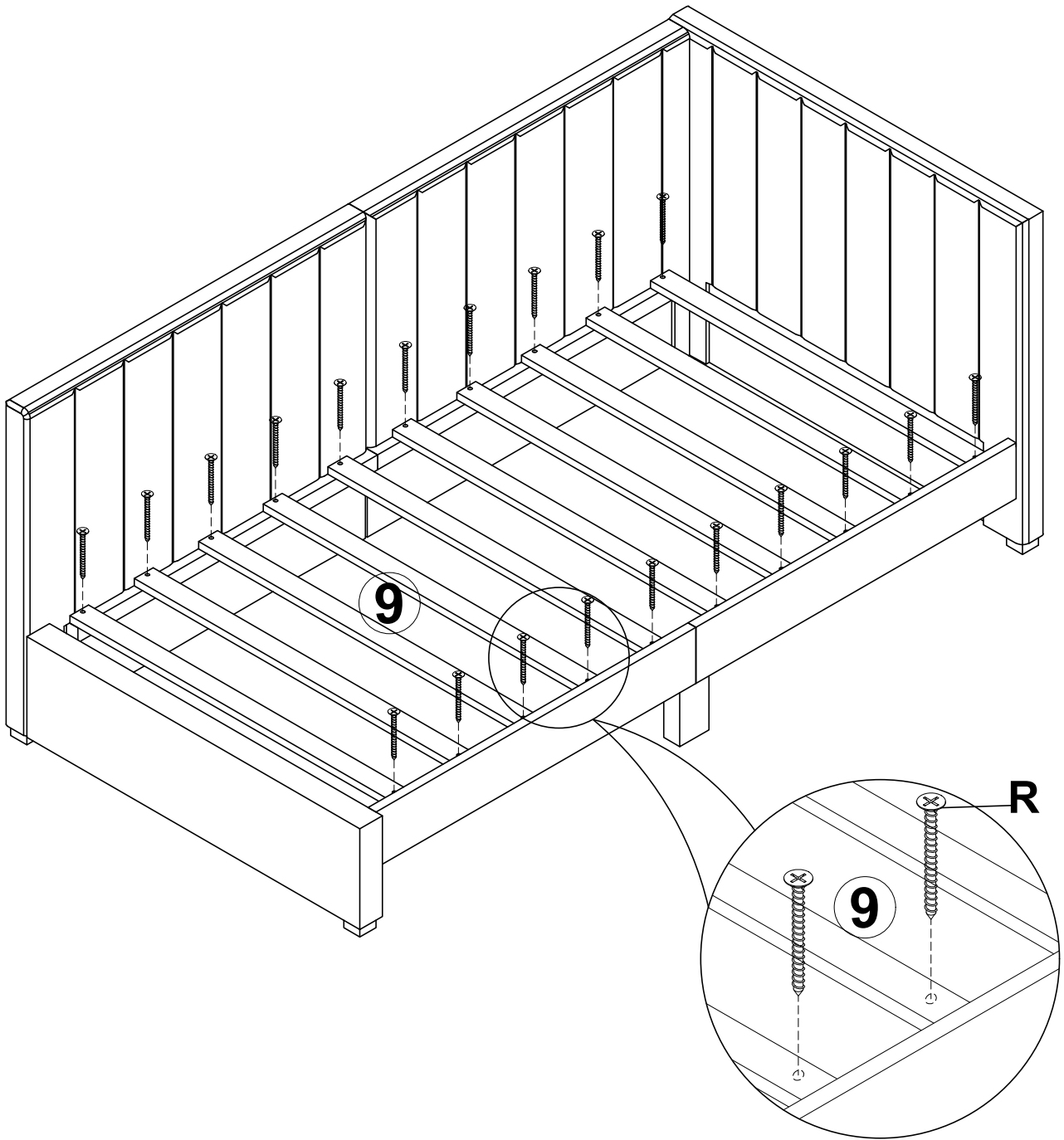


STEP 9

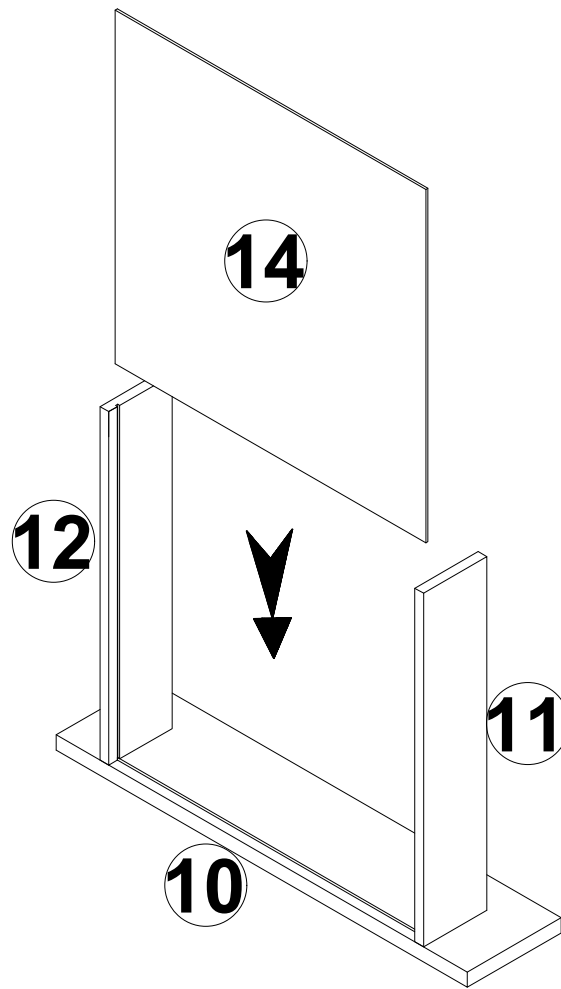
R



20PCS


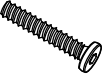


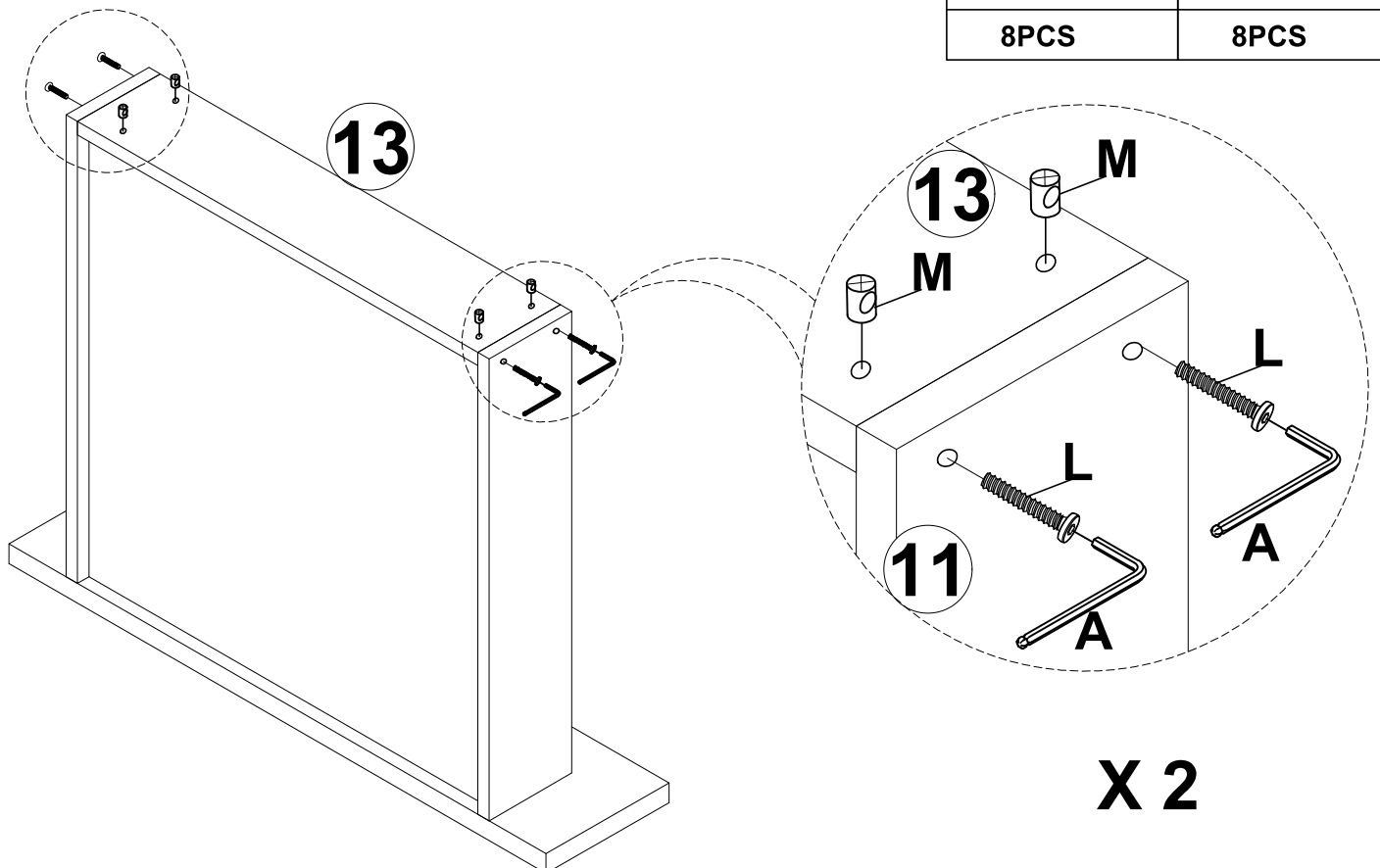
STEP 12



X 2

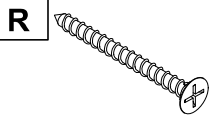
STEP 13

M		L	
8PCS		8PCS	

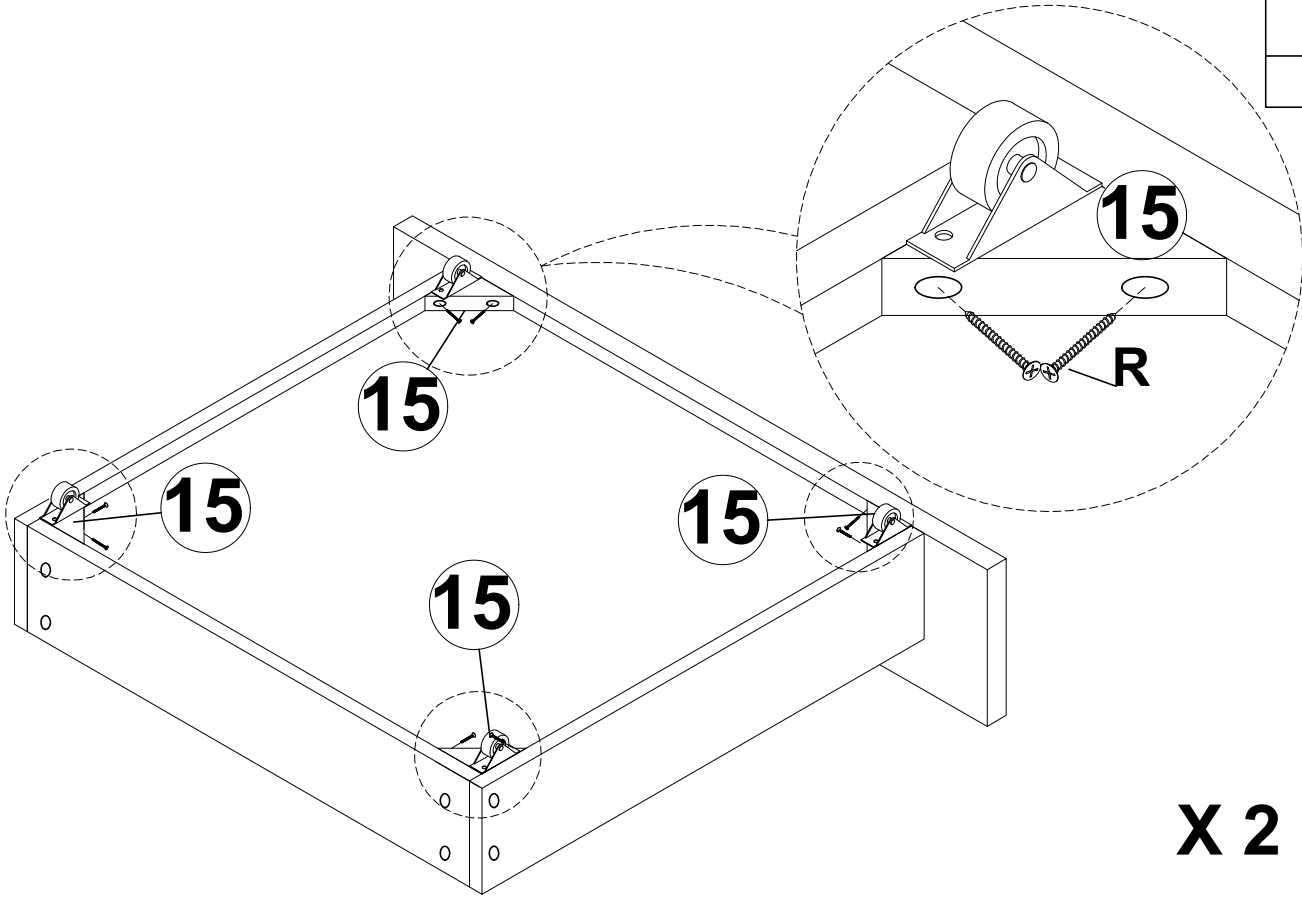


X 2

STEP 14

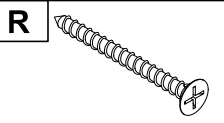


16PCS

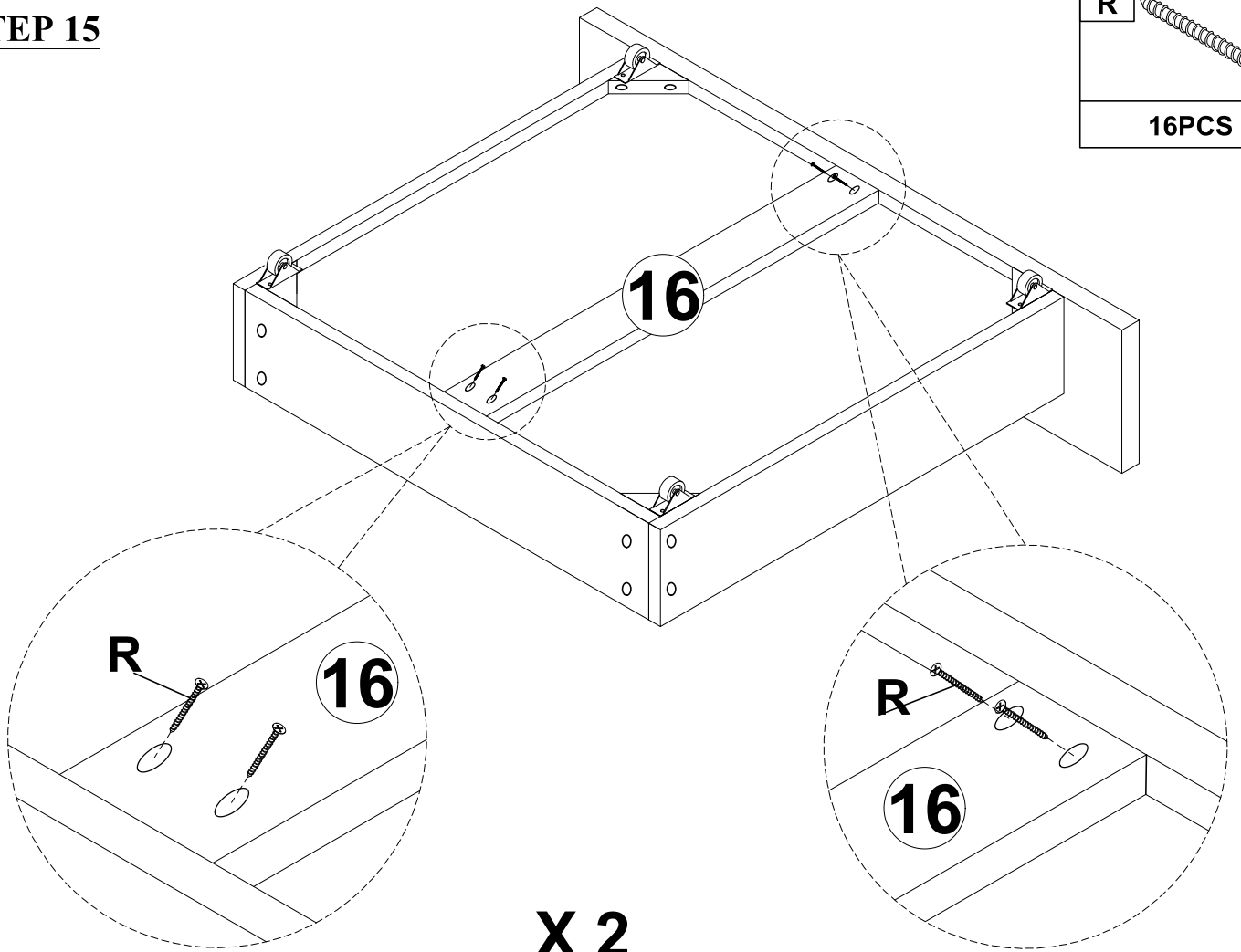


X 2

STEP 15



16PCS



X 2

STEP 16

