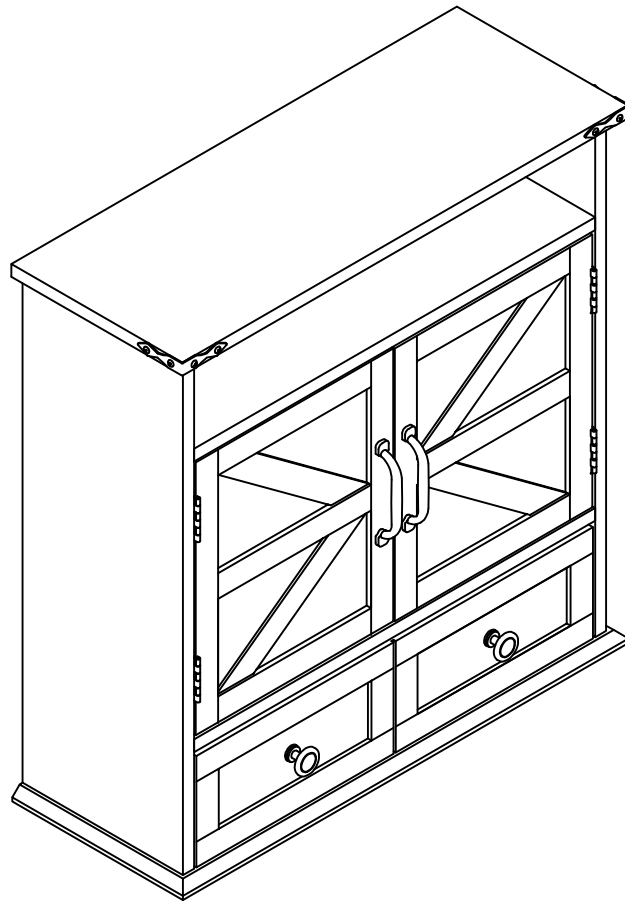


# Assembly Instructions

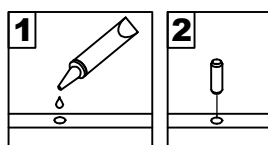


If you have any questions, please follow these steps( “Find Your Orders” - “Problem with the Order” - “Contact Seller” ) to contact our customer service. Thanks!

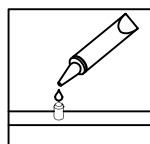
Revsied 18/05/2024

# General Assembly Guidelines

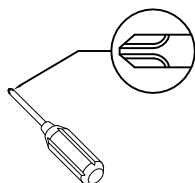
- I. Ensure that all parts and hardware are available before beginning assembly.
- II. Follow each step carefully to ensure the proper assembly of this product.
- III. Two people are recommended for ease in the assembly of this product.
- IV. The three main types of hardware used to assemble this product are : wood dowels , screws and bolts.
- V. The provided glue is to secure wood dowels in place . When first inserting dowels , locate the appropriate hole for the dowel , place a small amount of glue in the hole and insert the dowel . Wipe away excess glue immediately.



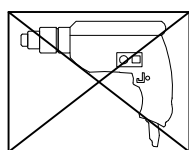
In future assembly steps when dowels are necessary to attach assembly parts together , place a small amount of glue on the end of the dowel before attaching parts together . Wipe away excess glue immediately.



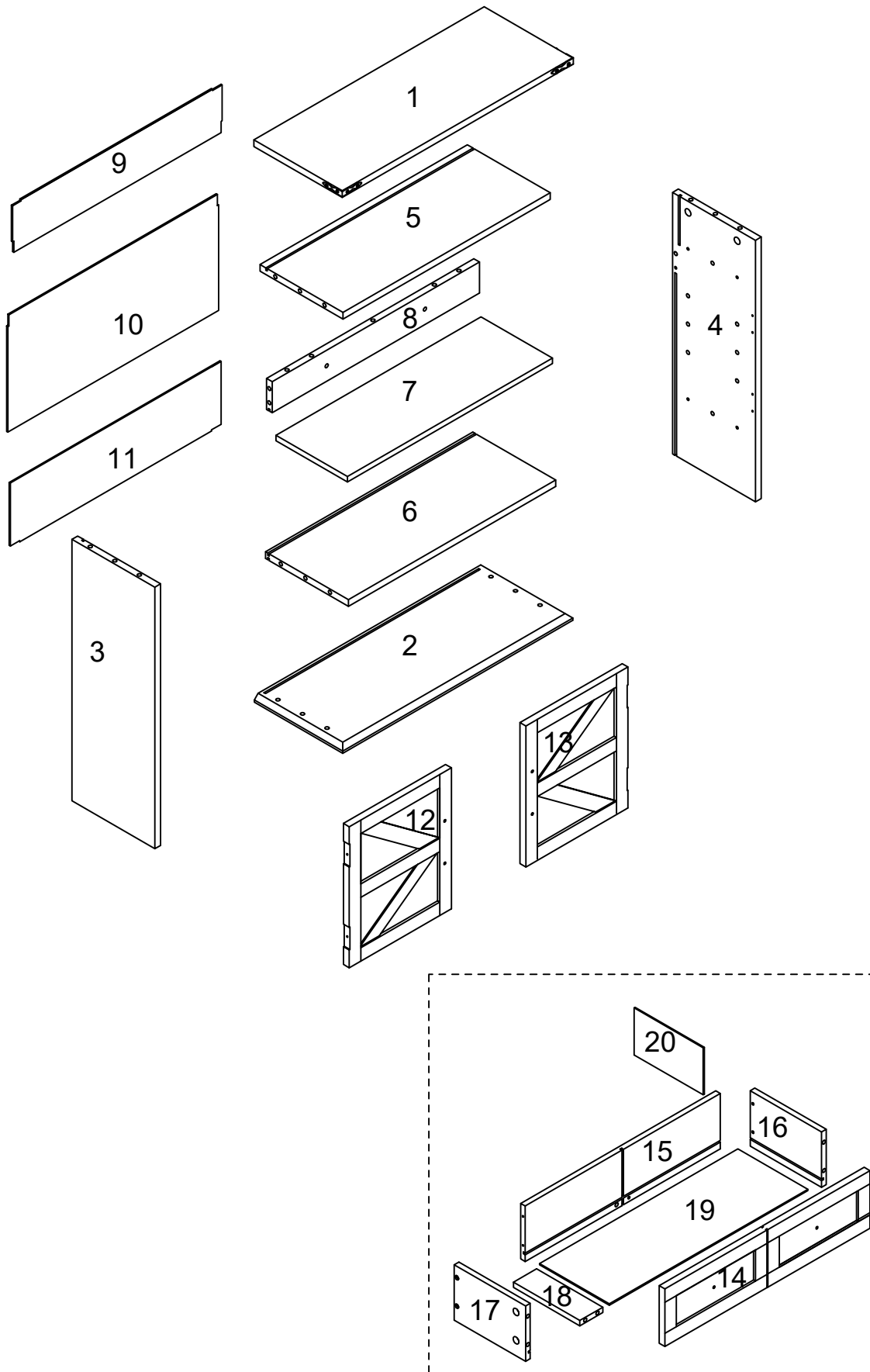
- VI. A Phillips head screwdriver is required for the assembly of this product .












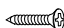

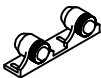

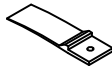





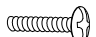






- VI. Power tools should not be used to assemble this product .

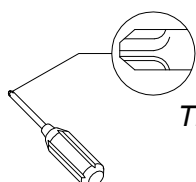


# Parts List



# Hardware List

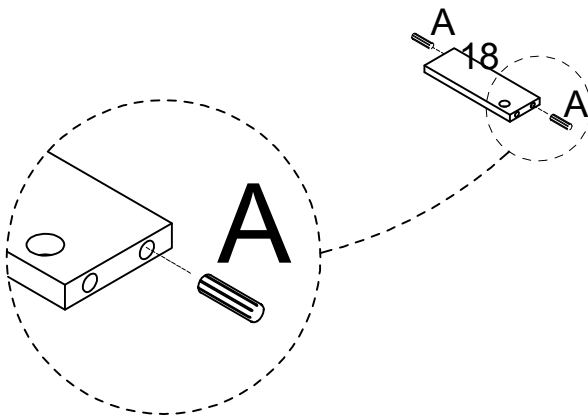
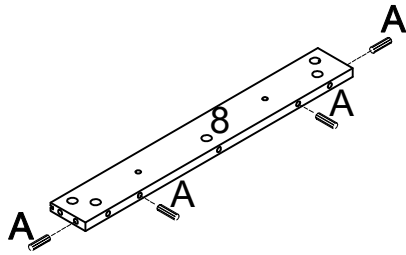
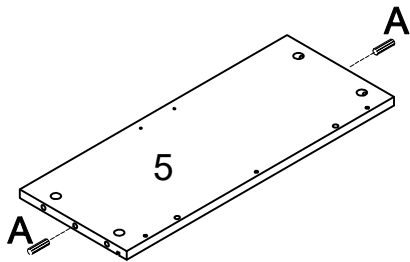
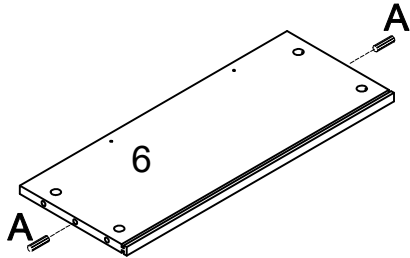
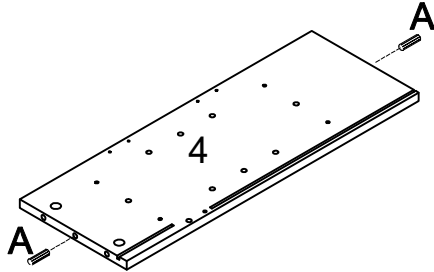
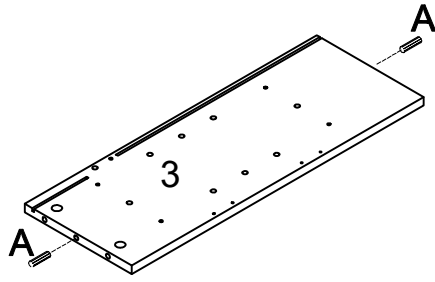
A		Ø8x30mm	Wooden dowel	14 pcs
B		Ø6x35mm	Cam bolt	22 pcs
C		Ø15x11mm	Cam lock	17 pcs
D		Ø15x9mm	Cam lock	5 pcs
E		Ø30mm	Sticker	22 pcs
F		Ø6x50mm	Screw	4 pcs
G		M 4	Hex Key	1 pc
H			Screw	2 pcs
I		Ø5x13x26mm	Shelf holder	4 pcs
J		Ø4x32mm	Screw	5 pcs
K		Ø3x12mm	Screw	22 pcs
L			Door stopper	1 pc
M			Three fold hinge	4 Set
N			Plastic stopper	2 pcs
O		Ø3x15mm	Screw	2 pcs
P			angle iron	2 pcs
Q			Handle	2 pcs
R			Knob	2 pcs
S		Ø4x9mm	Bolt	2 pcs
T		Ø4x19mm	Bolt	4 pcs
U		Ø5x55mm	Screw	2 pcs
V		Ø7x40mm	House lizard	4 pcs
W			Plastic wedge	4 pcs
X		Ø3x17mm	Screw	4 pcs
Y		Ø5x40mm	Screw	2 pcs
Z			Glue tube	1 pc




Philips head screwdriver required for assembly  
(not included)

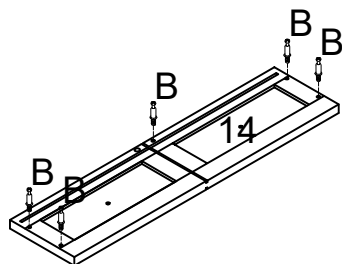
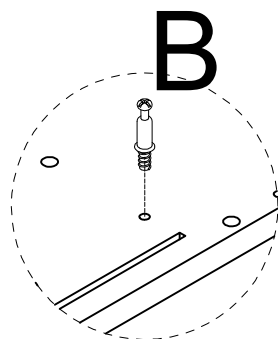
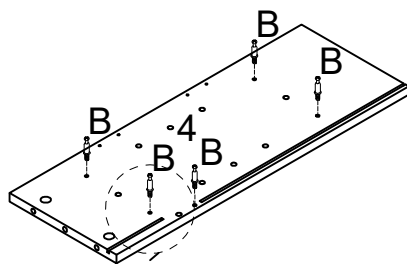
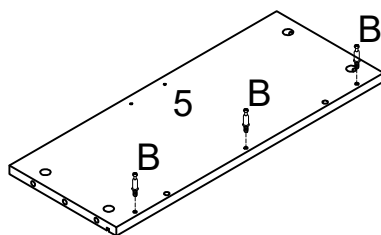
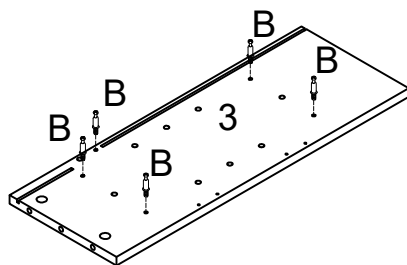
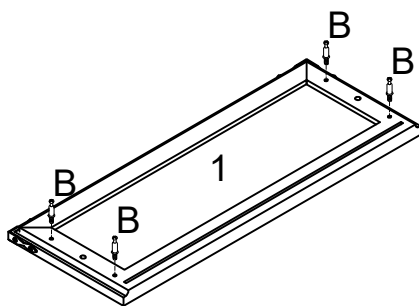
*The hardware quantities listed above are required for proper assembly.  
Some extra hardware may also have been included.*


# Step 1



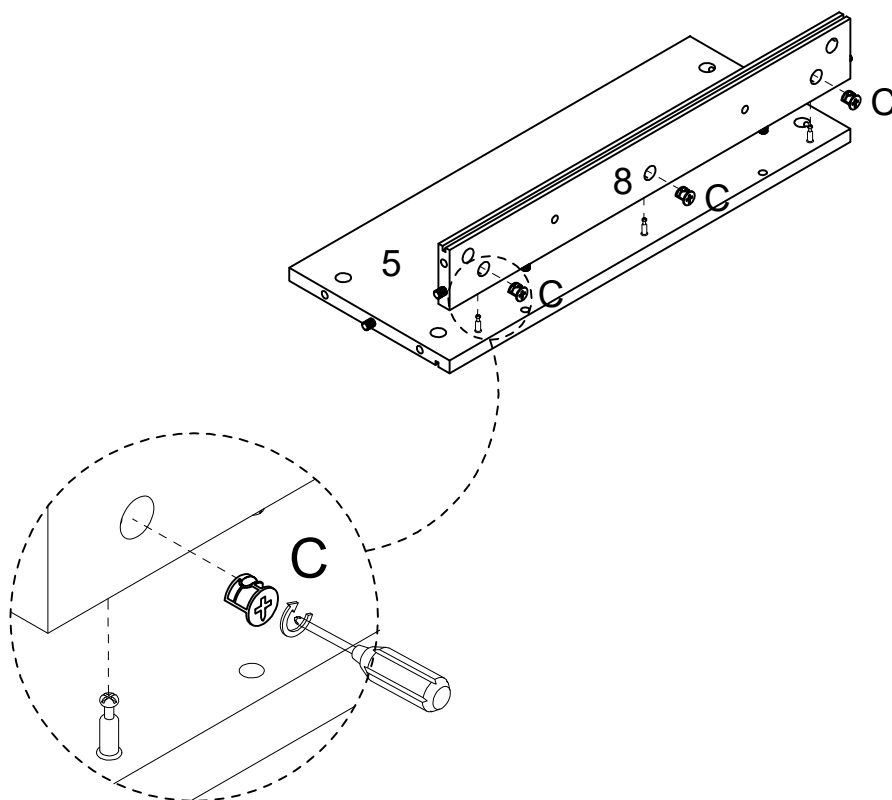
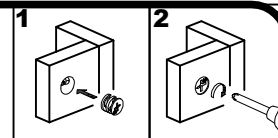
A

X14


# Step 2



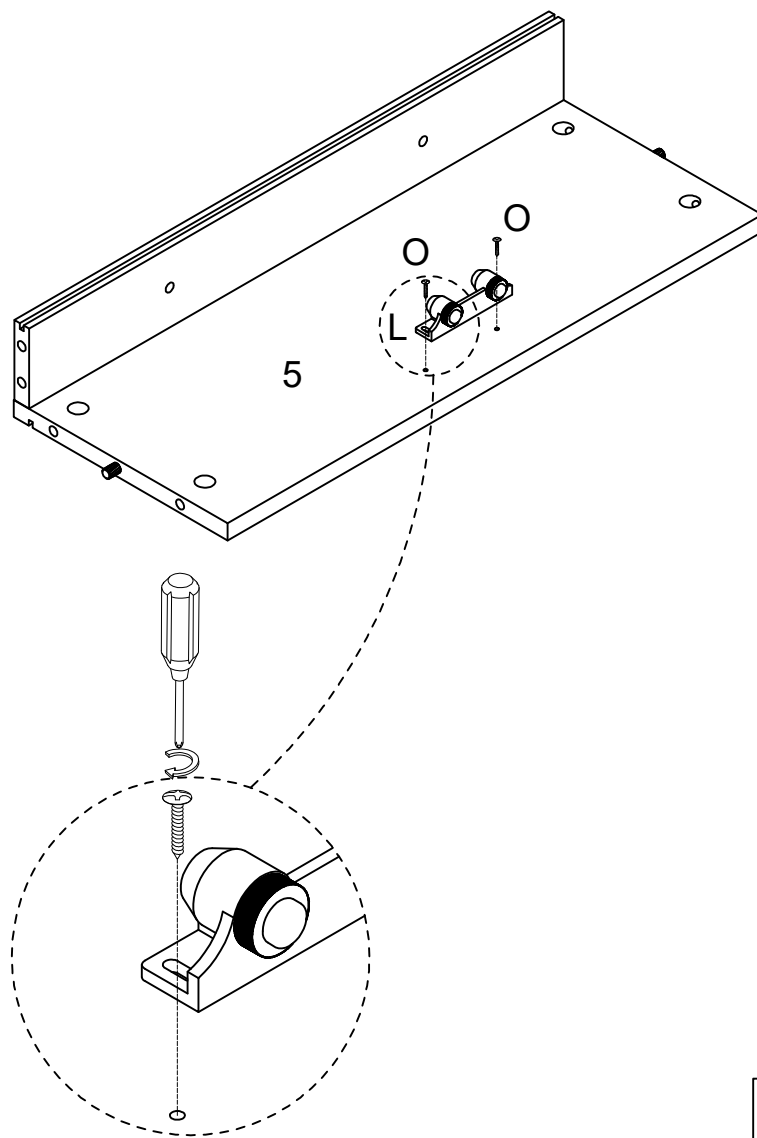
B

X22



# Step 3



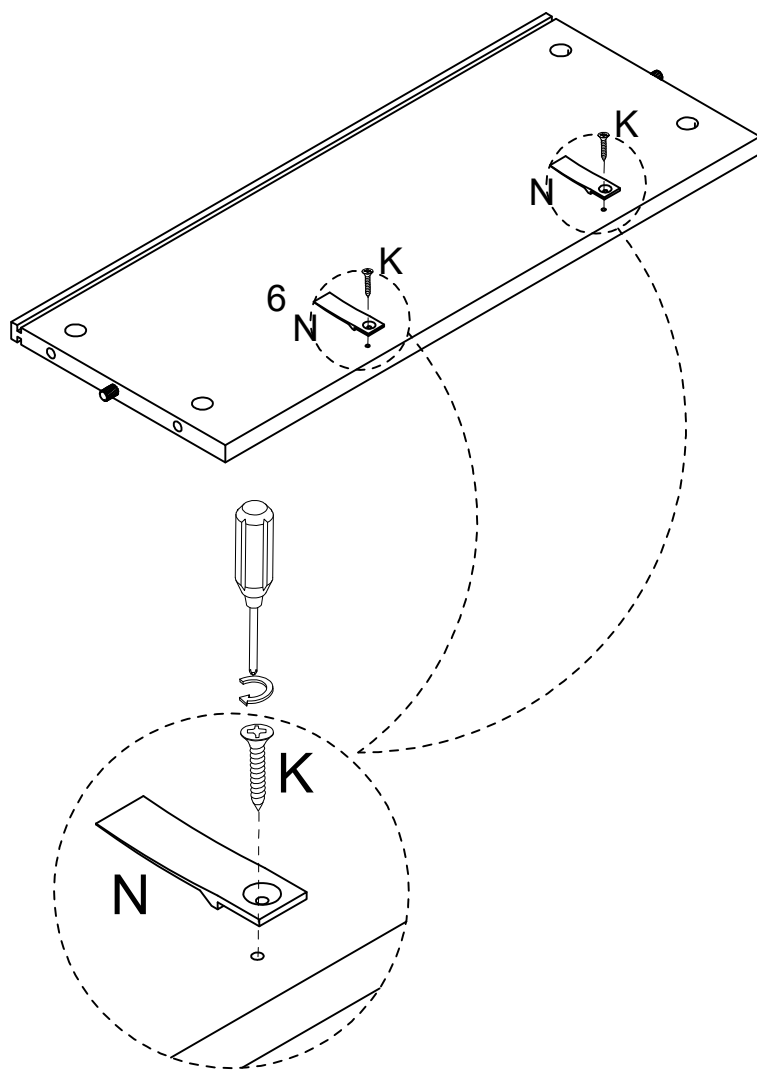
C

X3

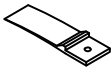

# Step 4



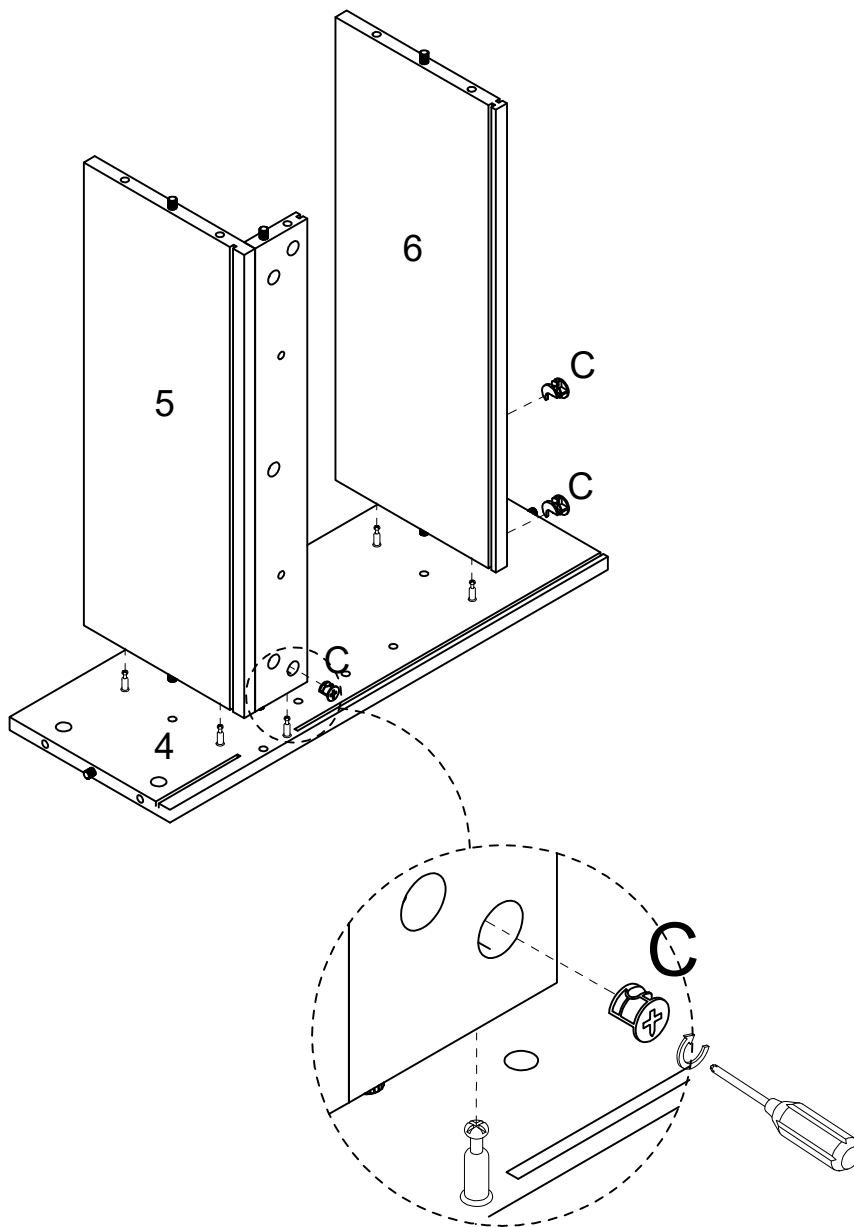
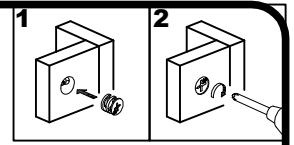
O	L
	
X2	X1


# Step 5



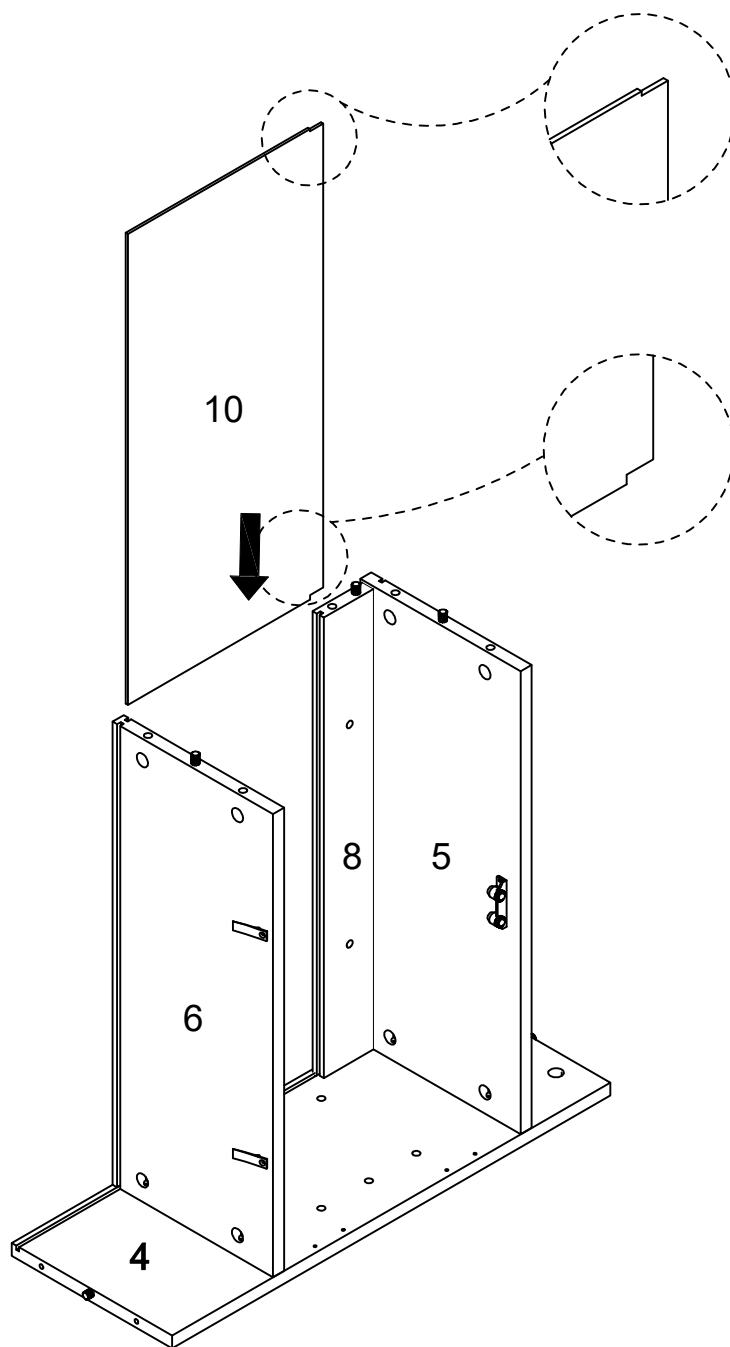
N	K
	
X2	X2

# Step 6

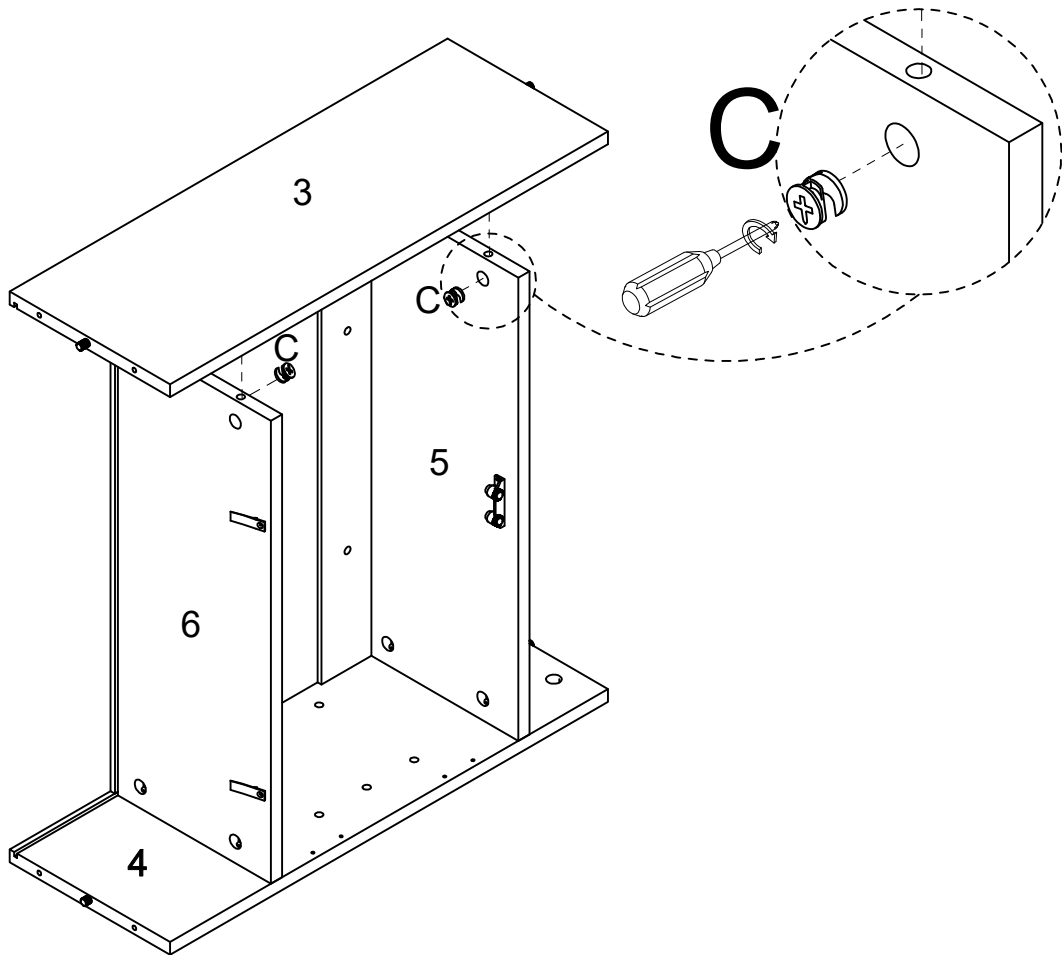
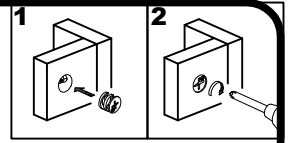



C

X5

# Step 7

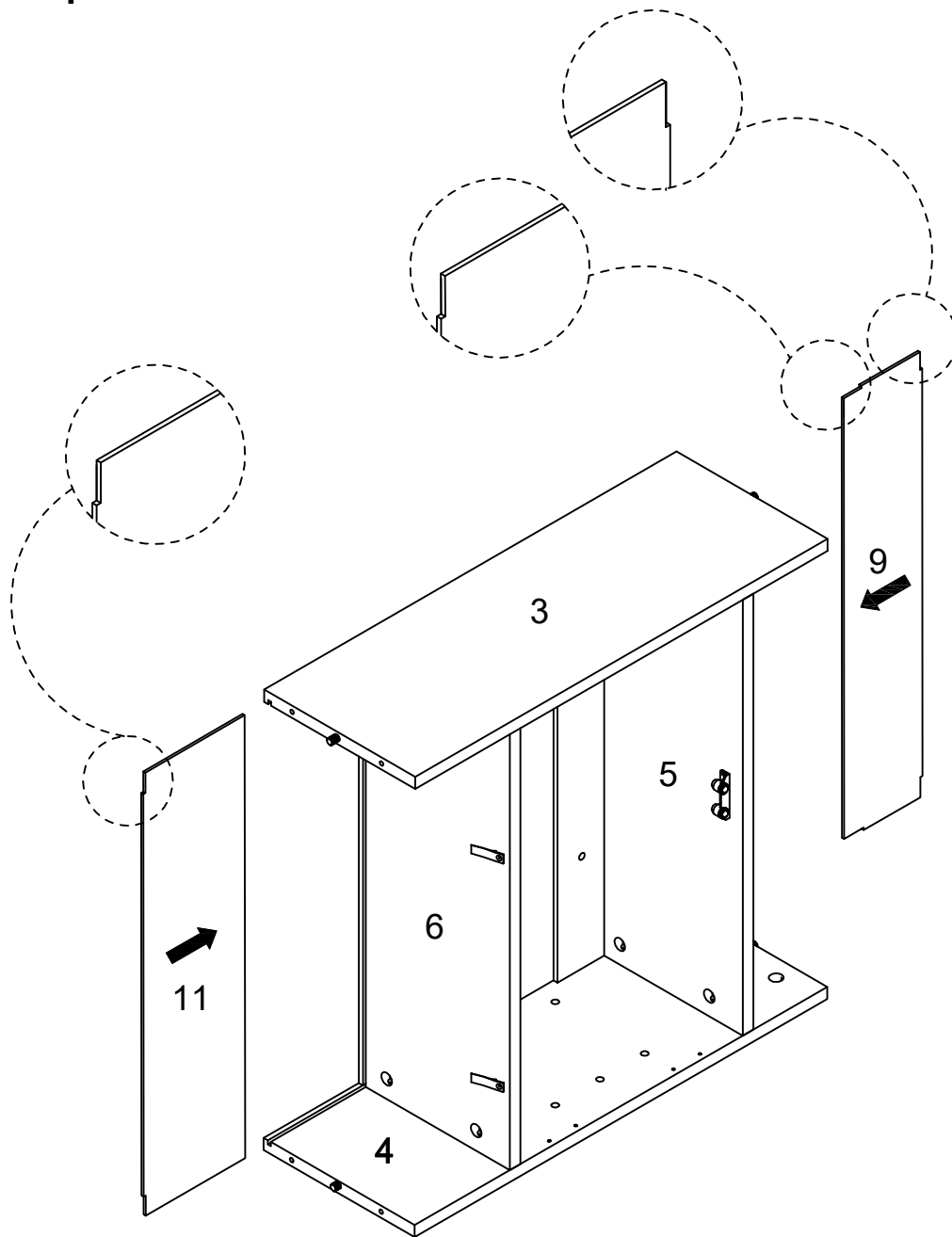


# Step 8

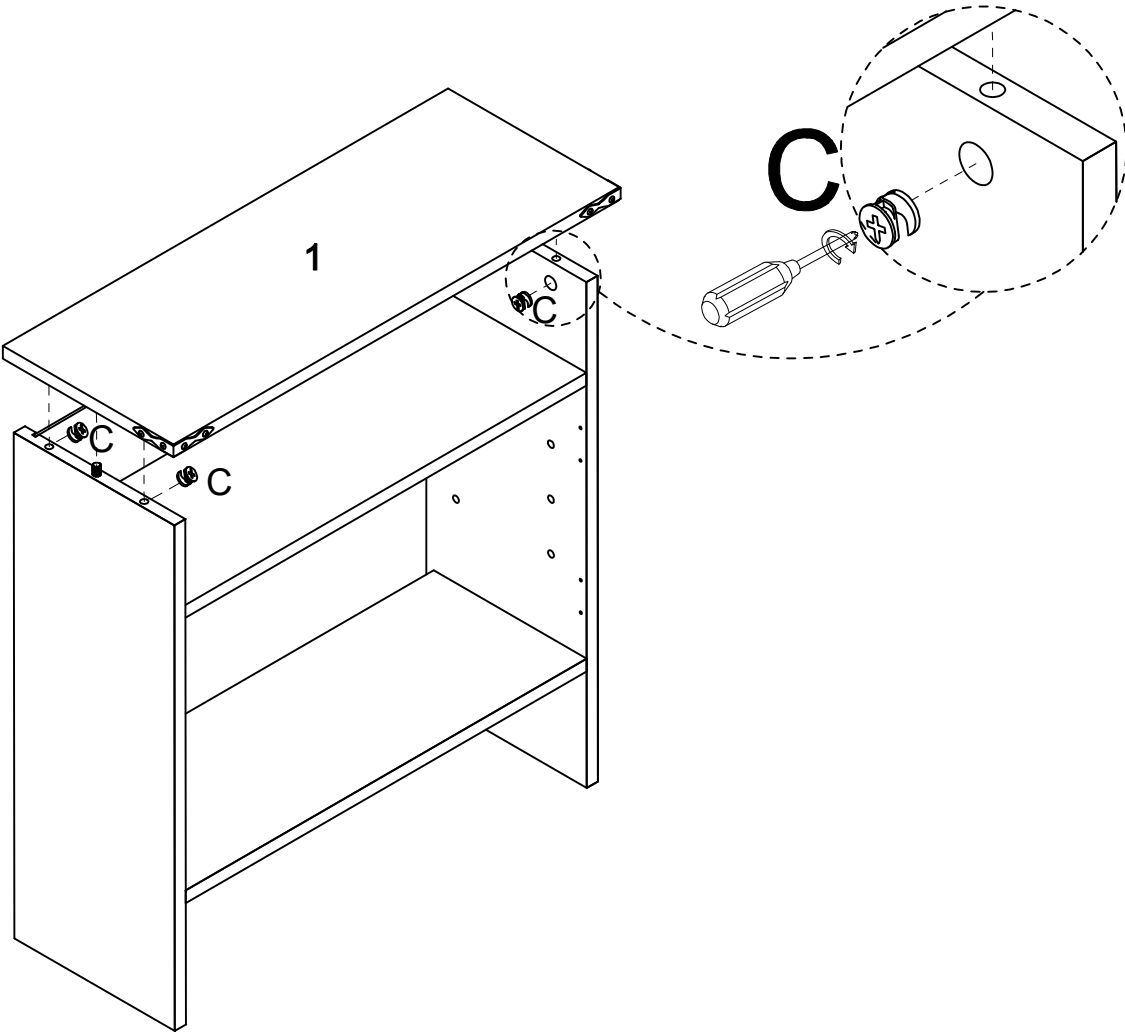
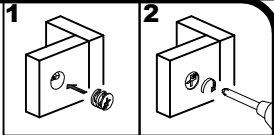



C

X5

# Step 9

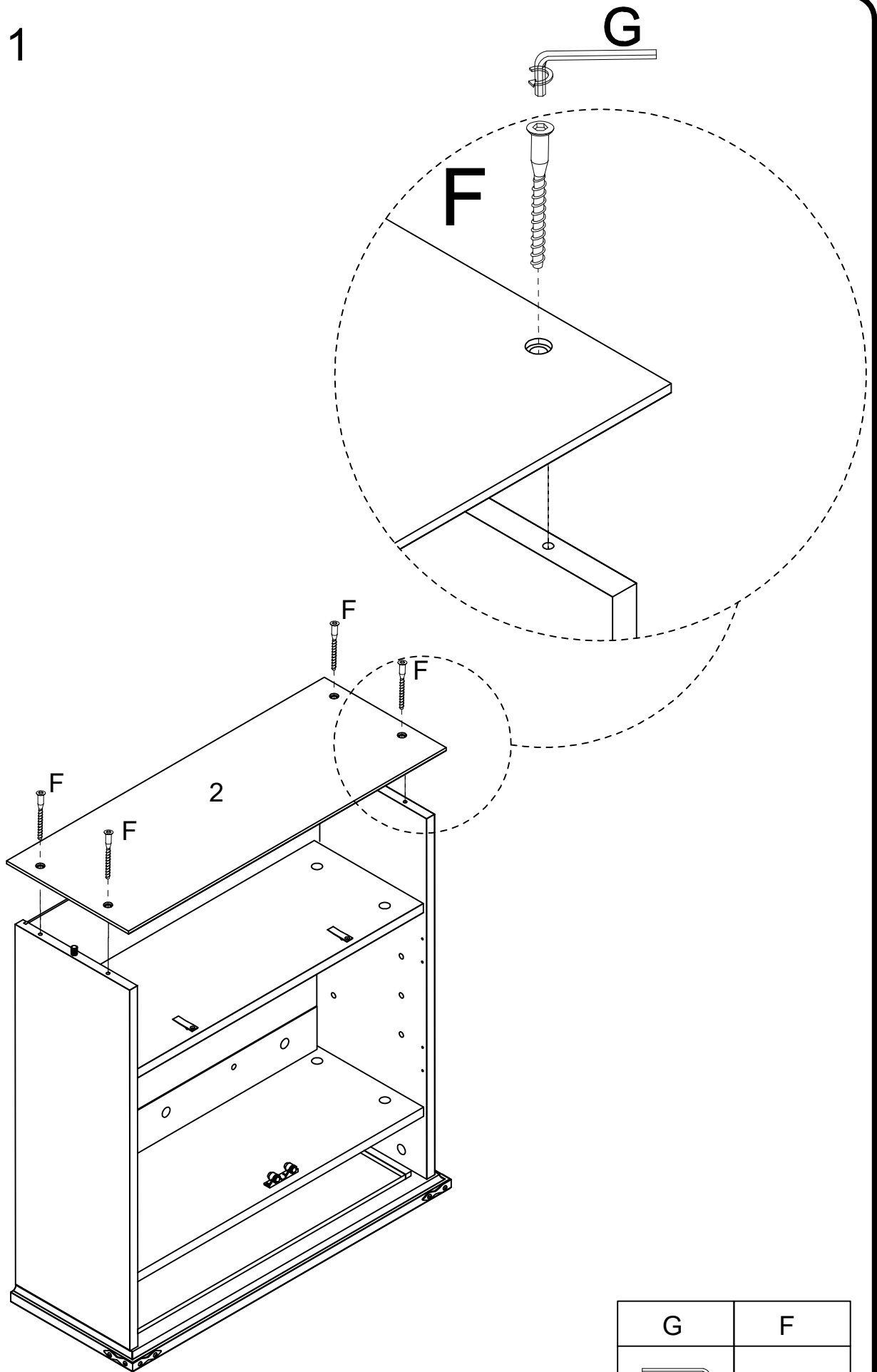



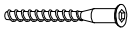
# Step 10



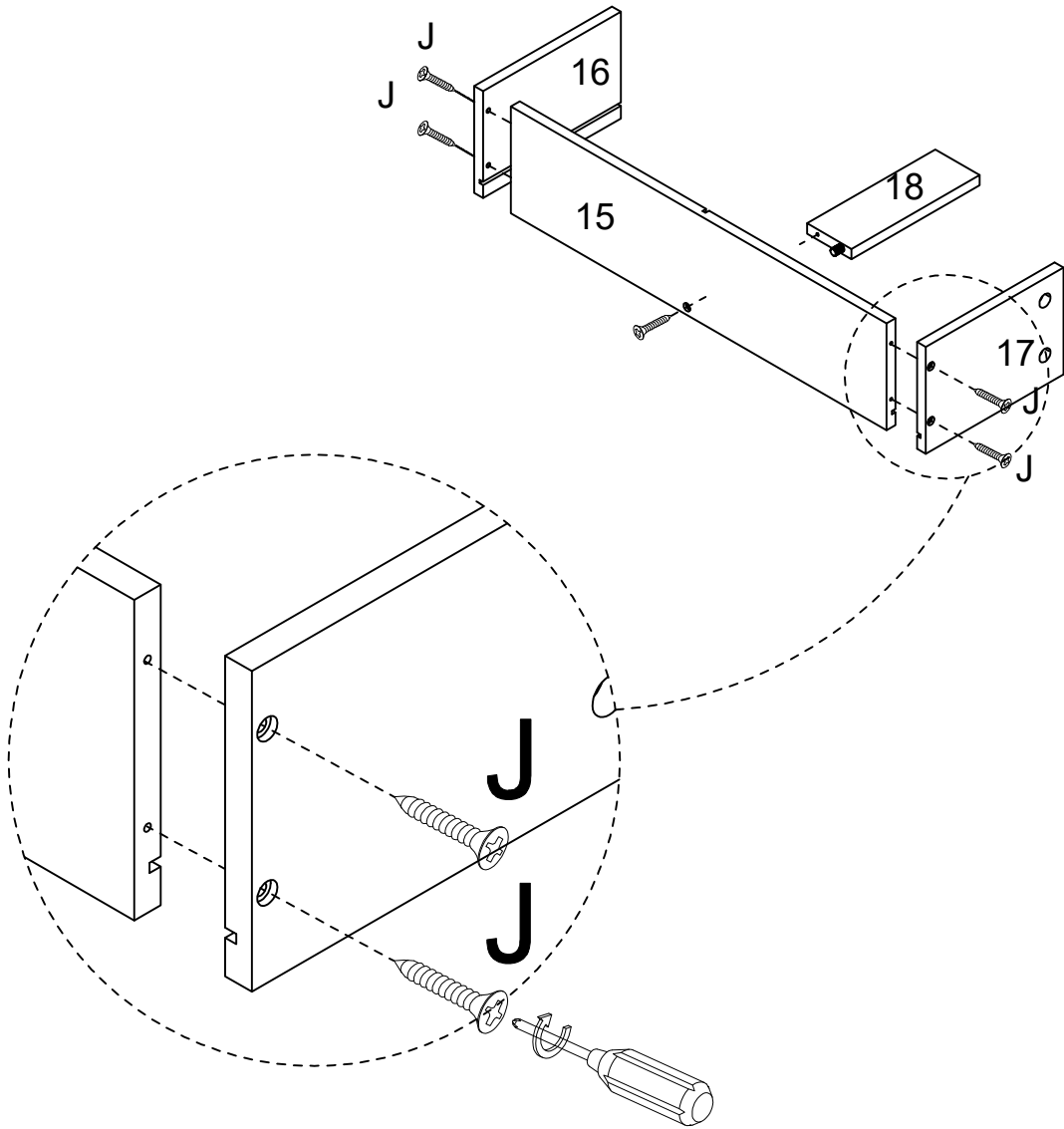
C

X4


# Step 11



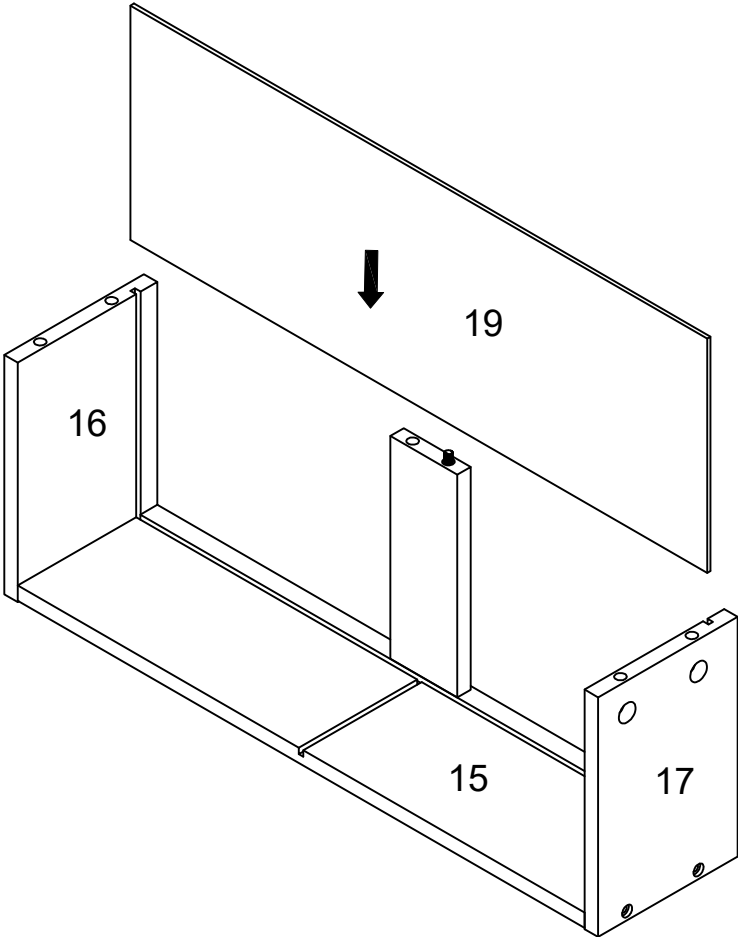
G	F
	
X1	X4

# Step 12

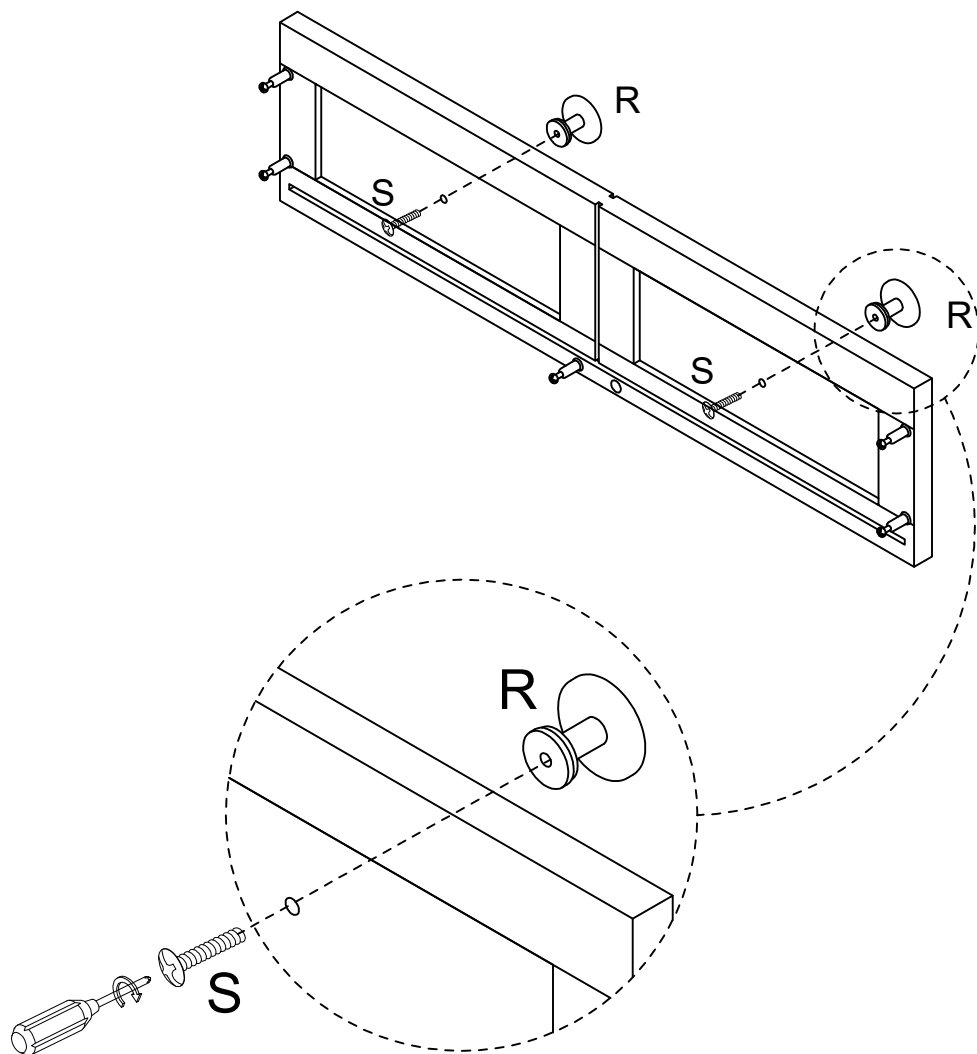


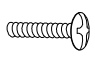

J

X5

# Step 13

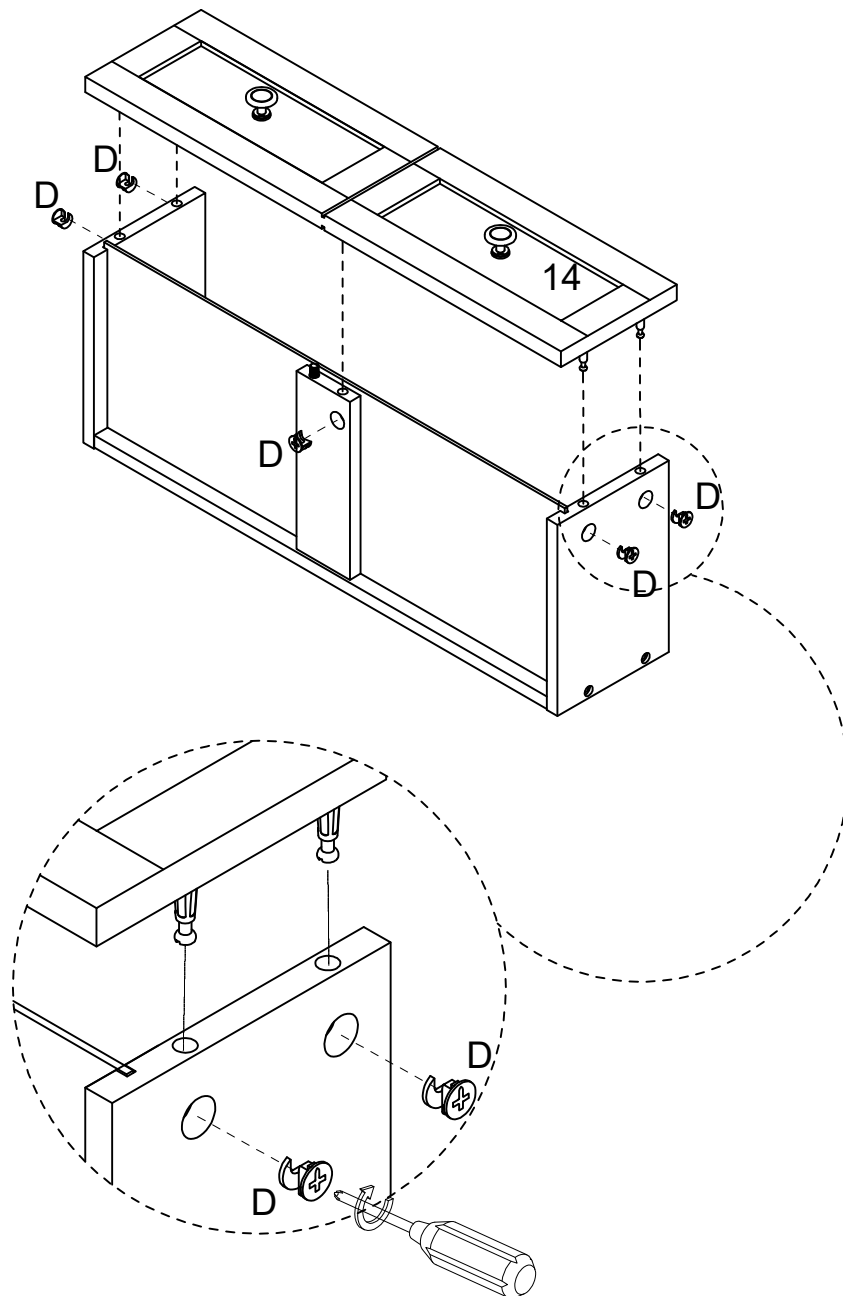
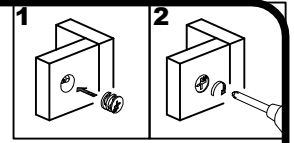



# Step 14



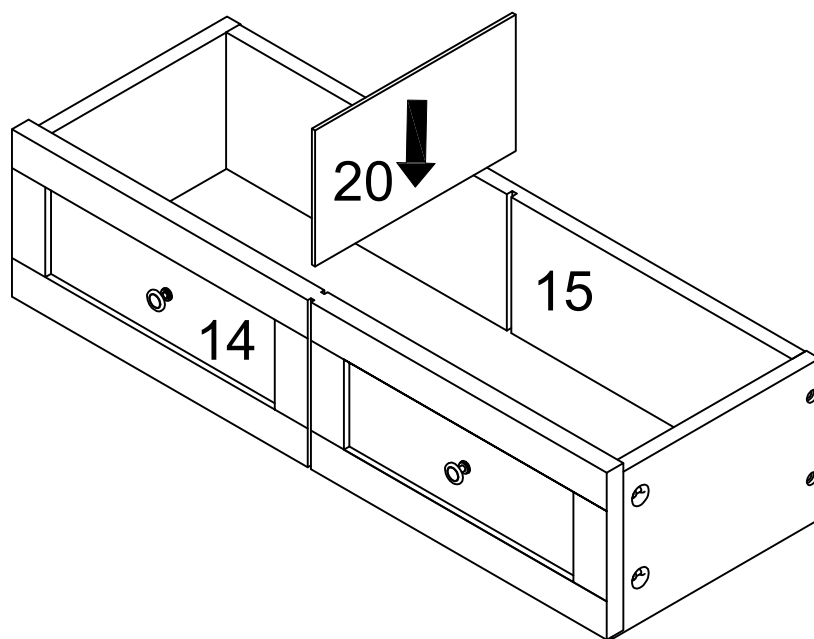
S	R
	
X2	X2

# Step 15

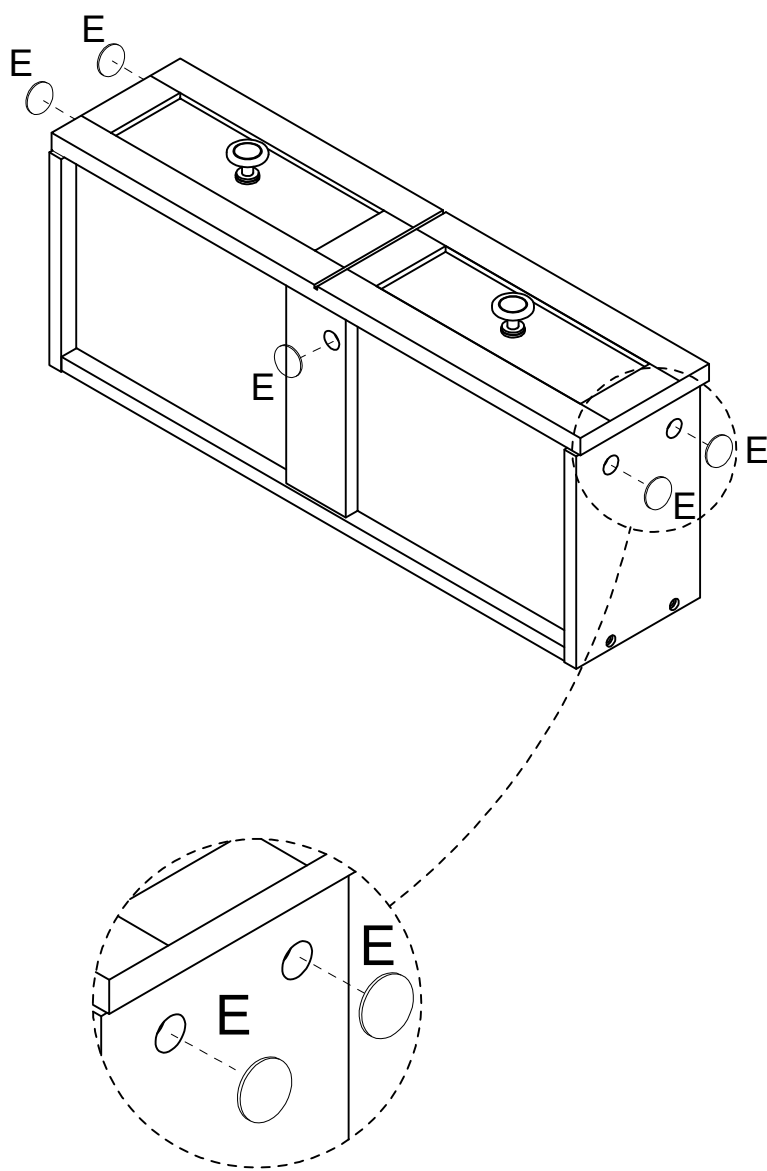


D

X5

# Step 16

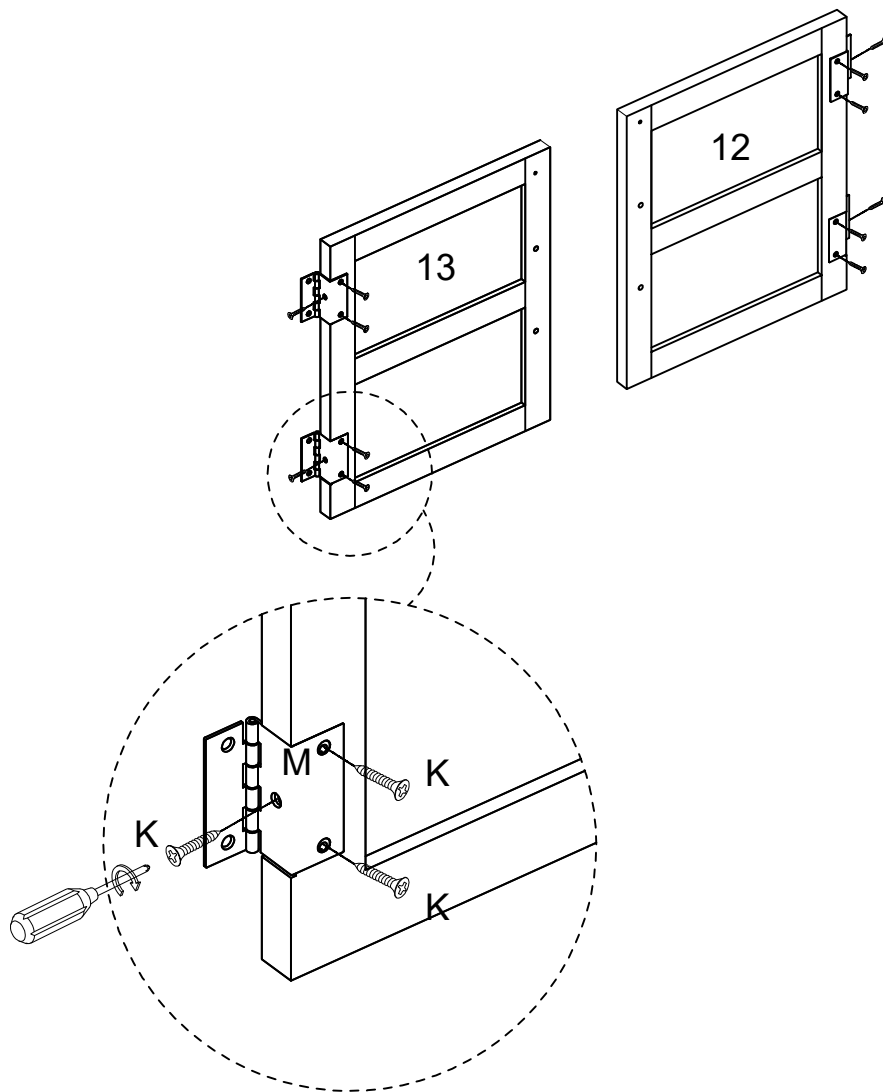




# Step 17



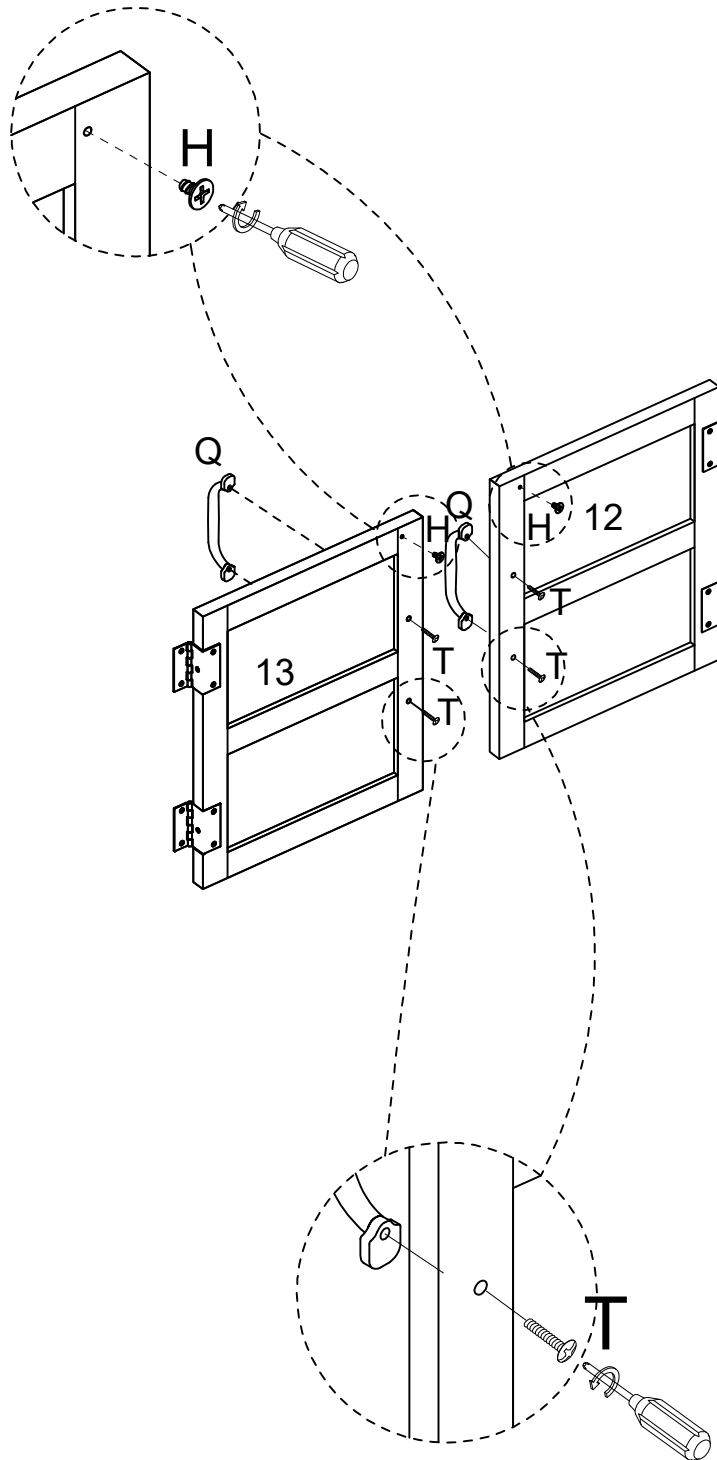
E
O
X5




# Step 18



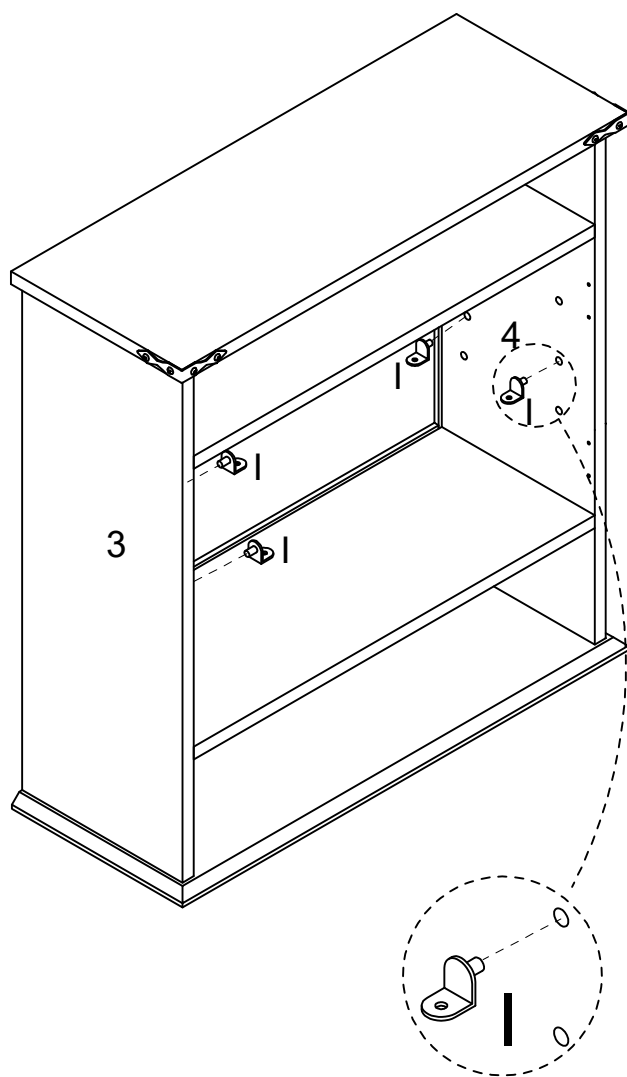
K	M
	
X12	X4


# Step 19



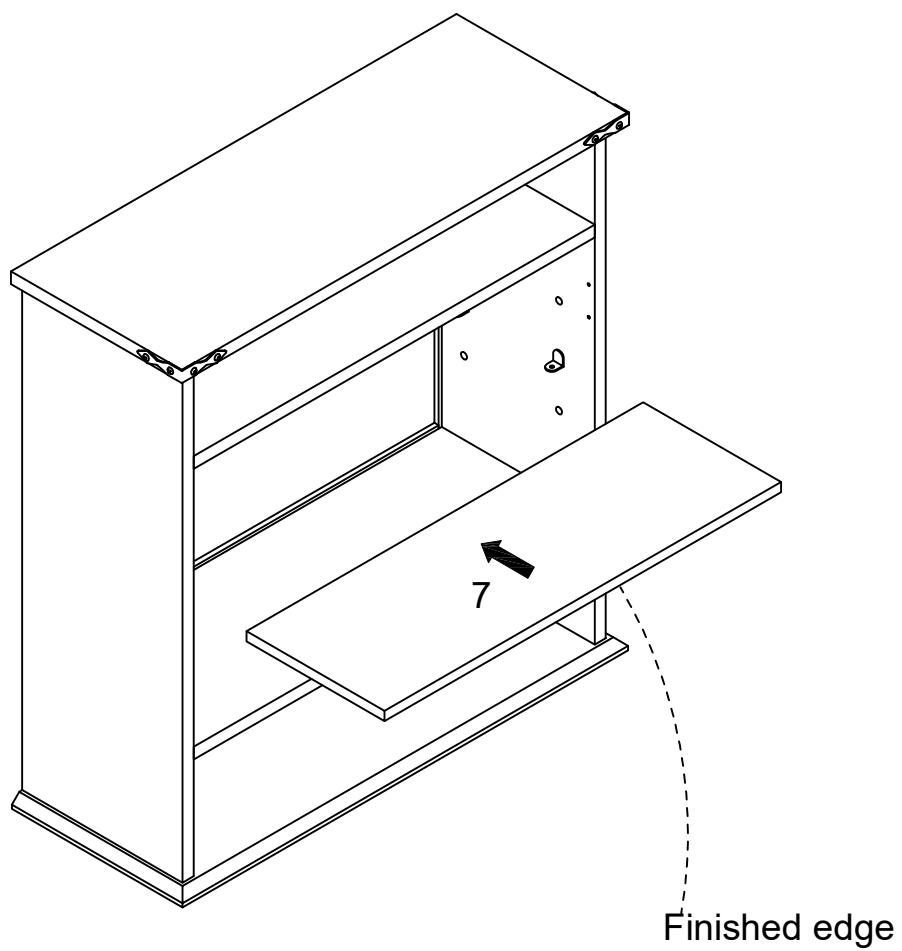
H	T	Q
		
X2	X4	X2

# Step 20

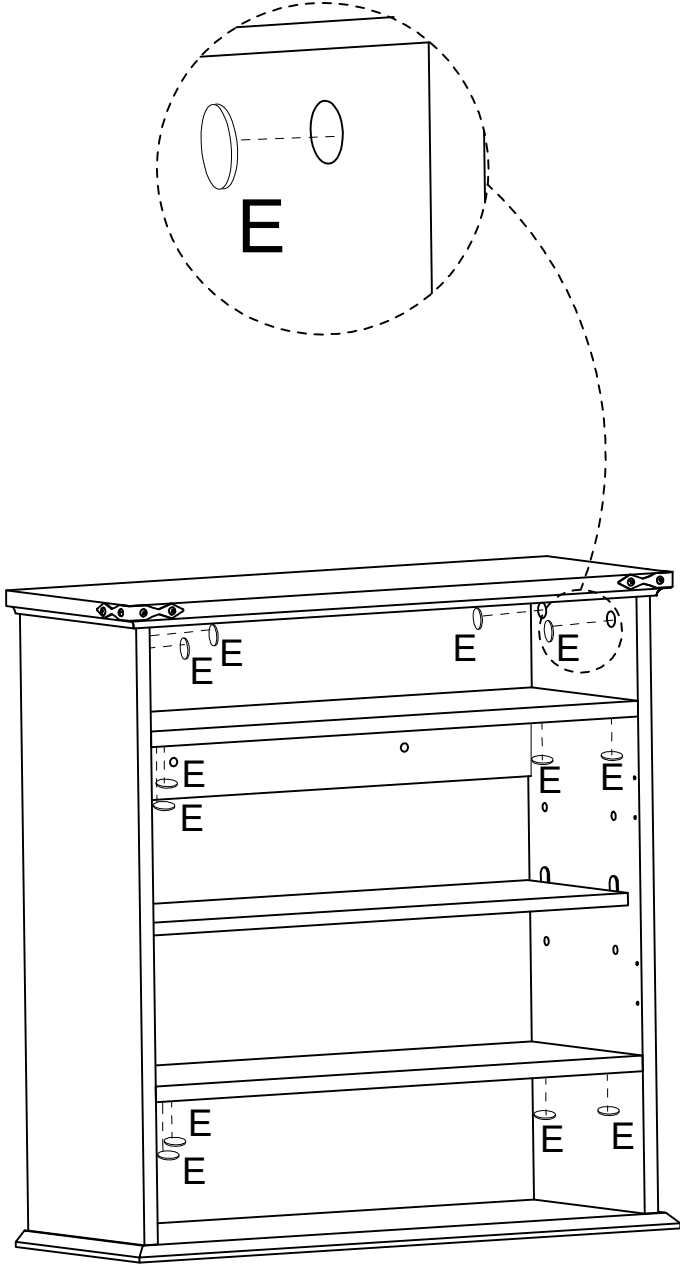


I

X4

# Step 21

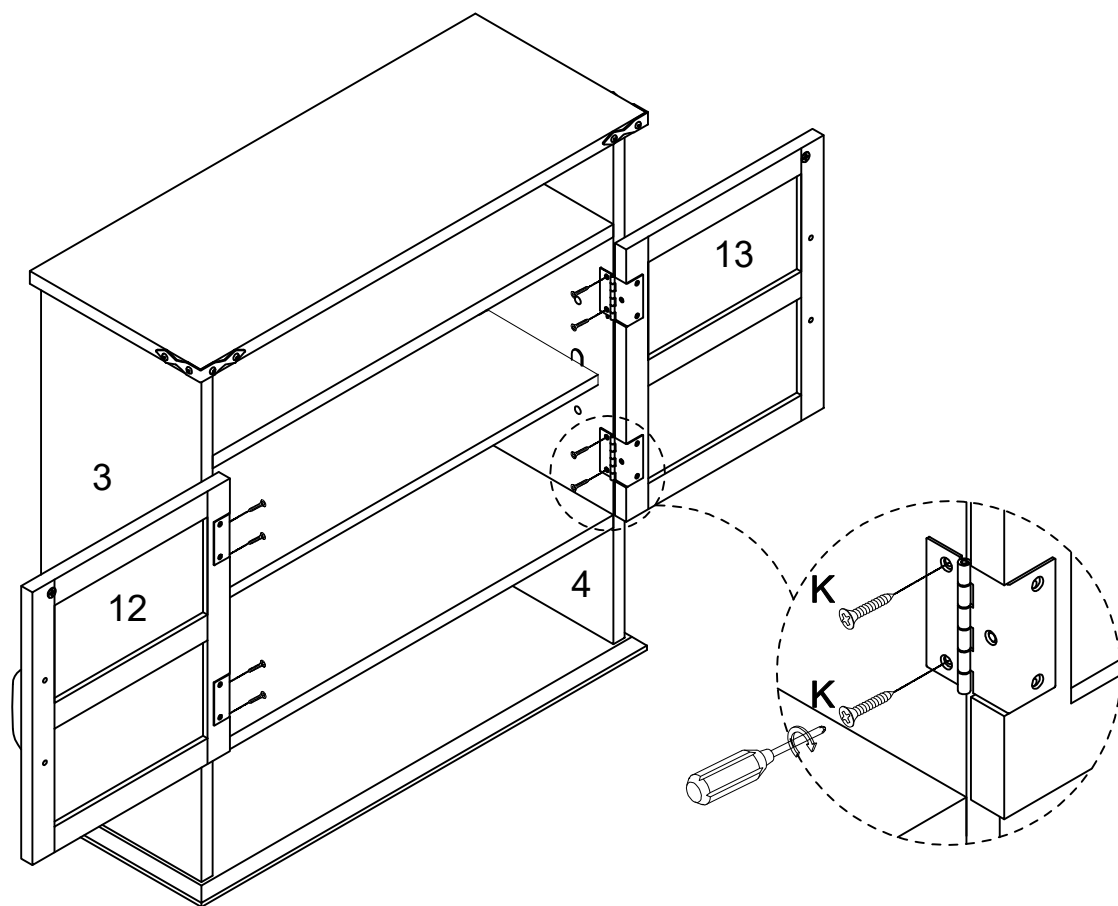



# Step 22



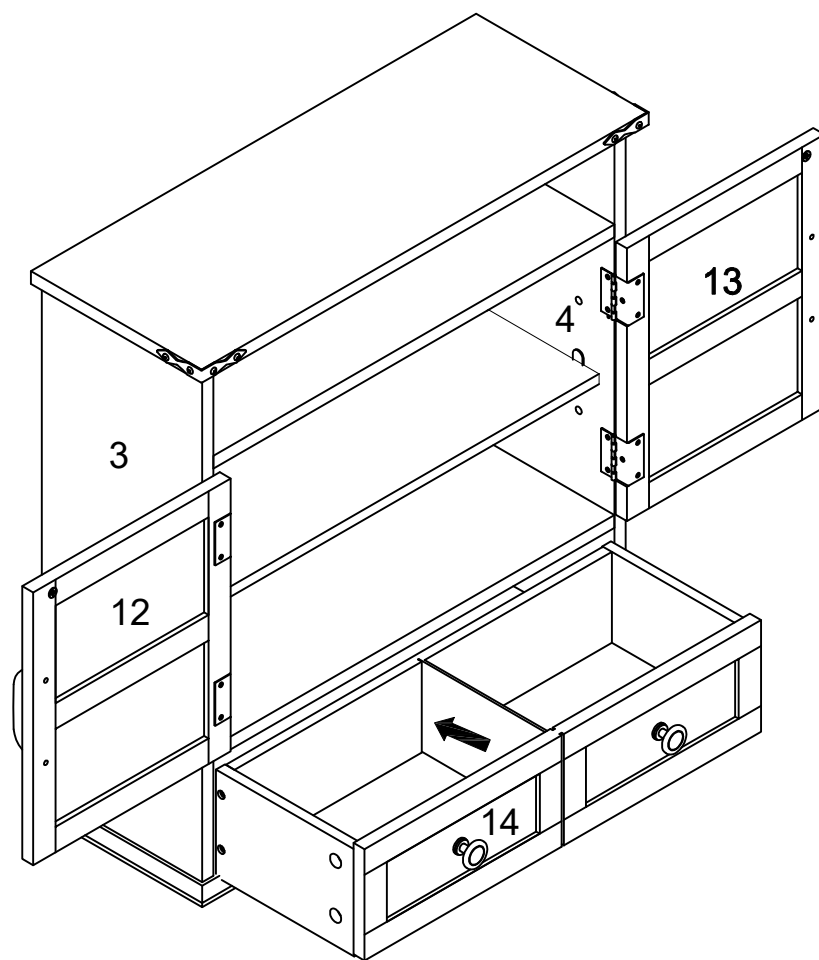
E
O
17

# Step 23

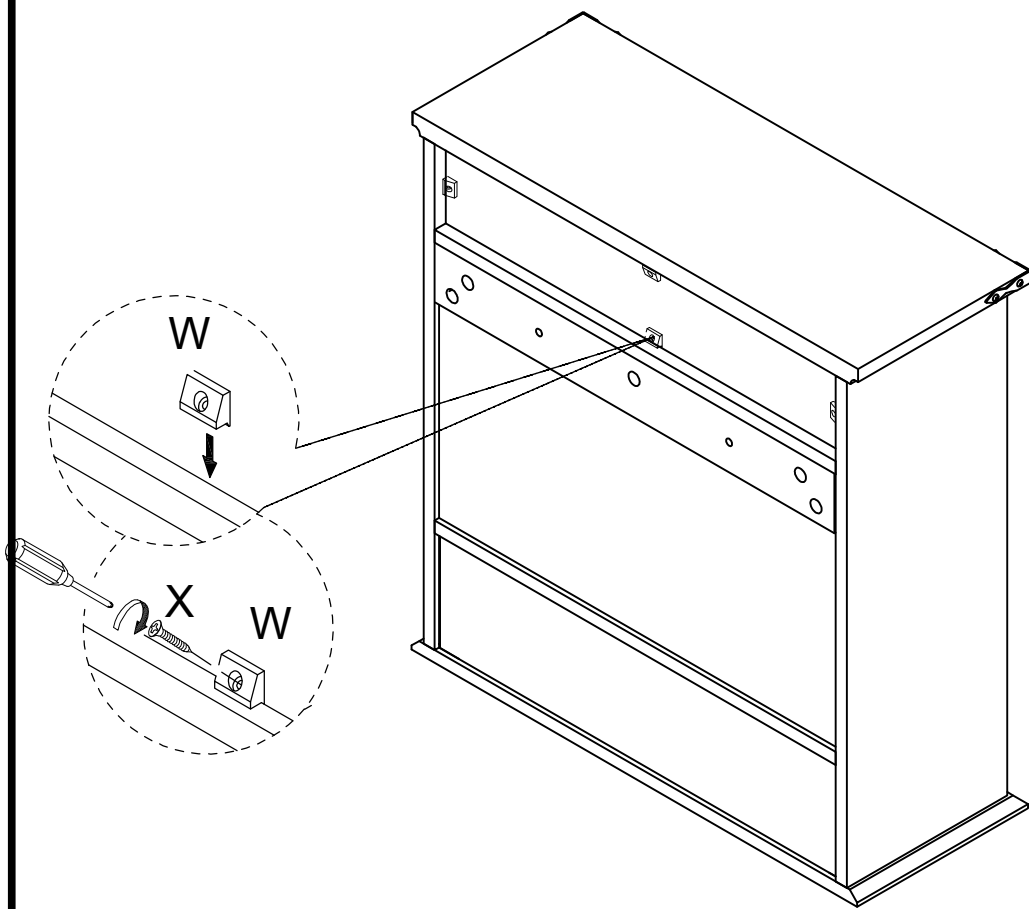




K

X8

# Step 24



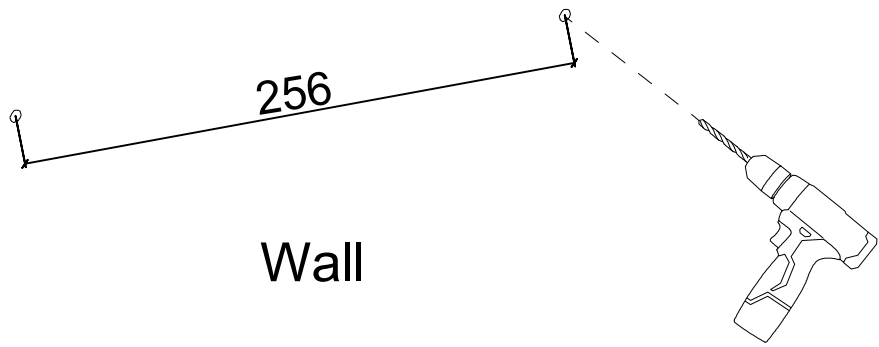
# Step 25



W	X
	
X4	X4

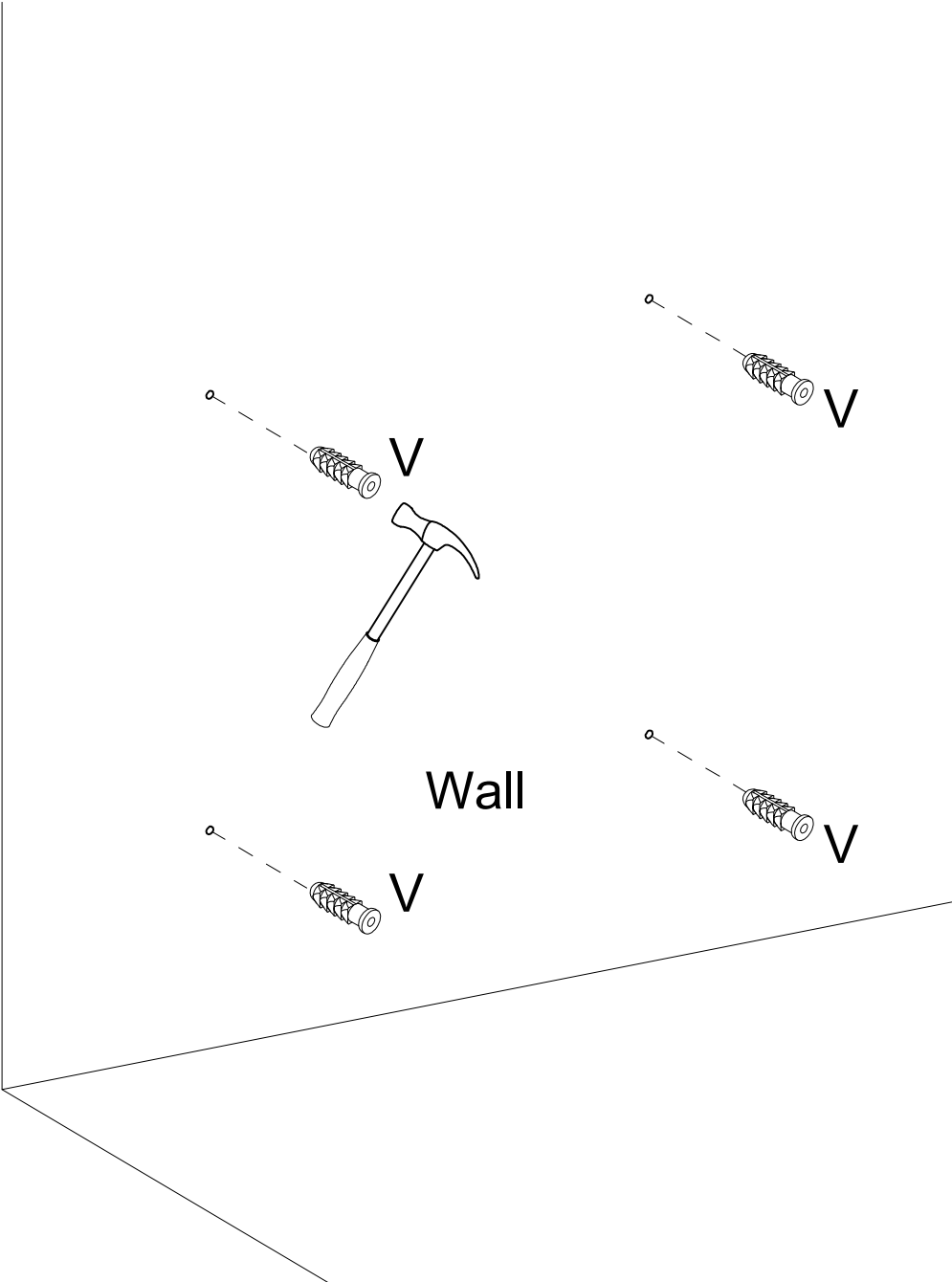
# Step 26


Make Four holes 45MM deep



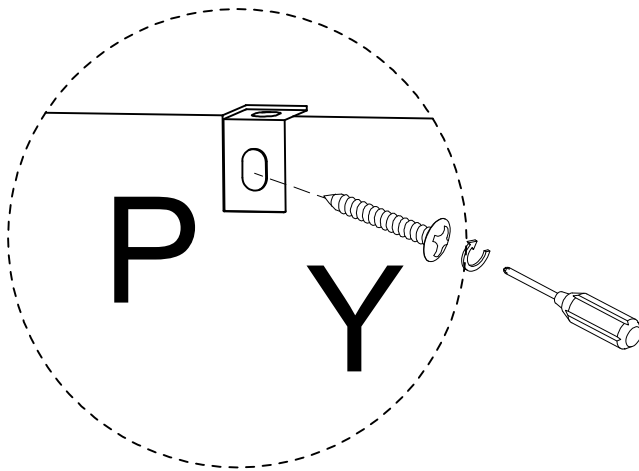
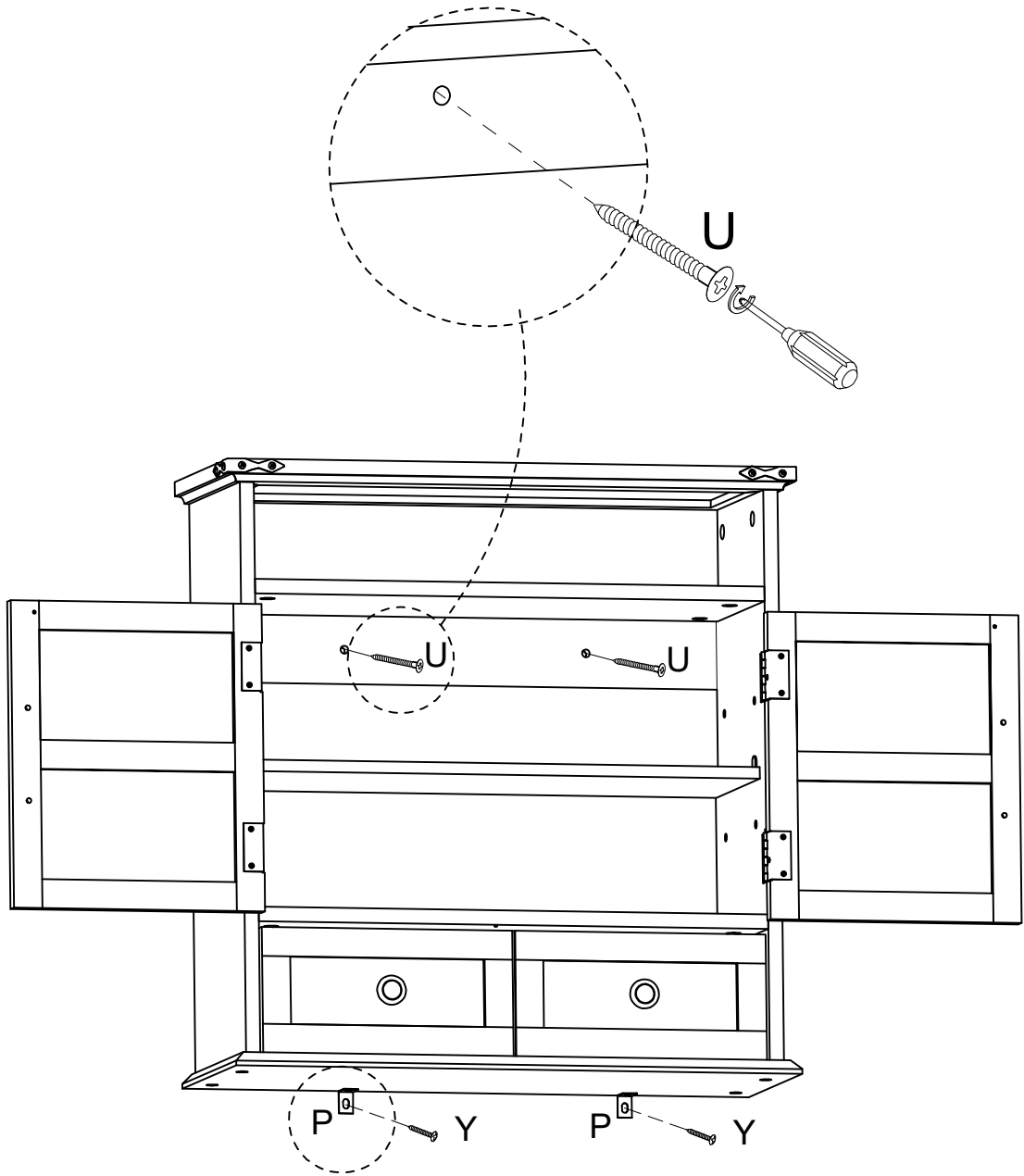
Wall


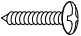
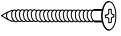
# Step 27



V

X4

# Step 28



P	Y	U
		
X2	X2	X2

# Step 29

