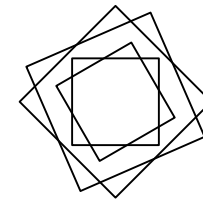
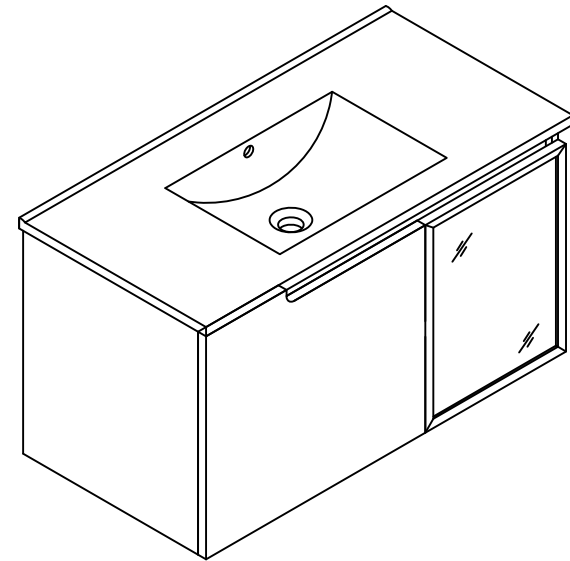


THANKS FOR WATCHING

Your feedback is invaluable to us and we would love to hear about your experience. Please take the time to leave us a review.




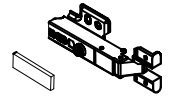

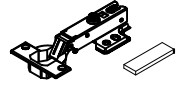


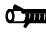

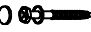
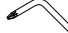




Thank you for shopping with us!

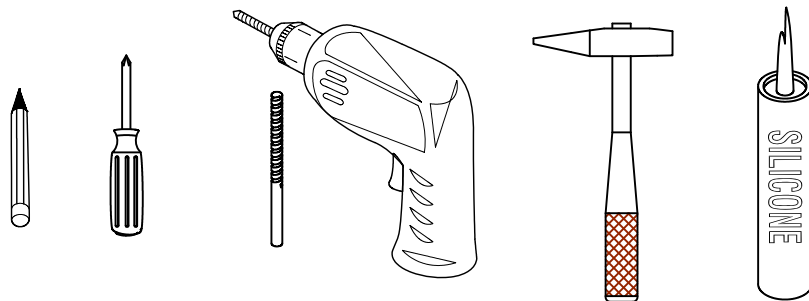
We encourage you to take a few minutes to go through this booklet. It contains important information on installation and care tips to keep your furniture looking as good as new.

Item NO.:BV B13636

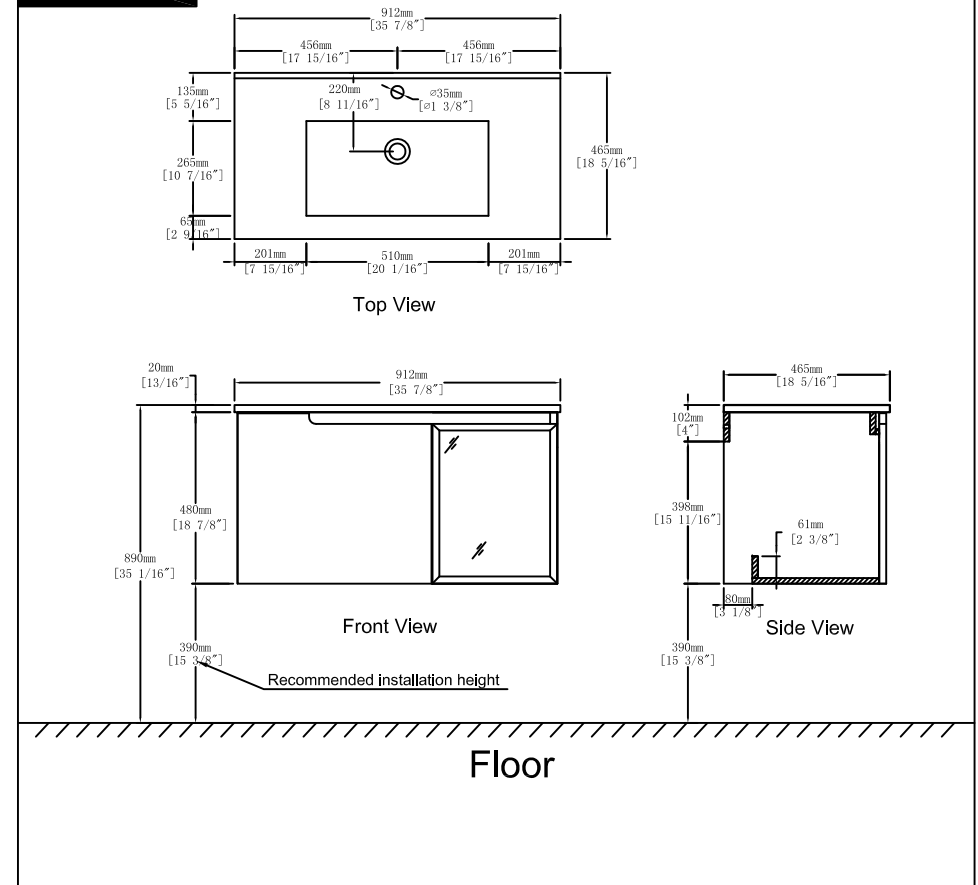
Hardware

NO.	Draw	QTY	NO.	Draw	QTY
A	 Screws Ø4x14mm	46	I	 Screws M4x8mm	4
B	 Two-in-one connector	17	J	 Aluminum door hinges (Full cover)	2
C	 Two-in-one connector	17	K	 Hinges (Full cover)	3
D	 Wood plug	4	L	 Anti-collision gasket (0.5mm)	2
E	 Plastic anchor(Ø10mm)	2	M	 Anti-collision gasket (2mm)	2
F	 Screws for fix on the wall	2	N	 Screwdriver	1
G	 Bracket (53x70x44mm)	2			
H	 Bracket (19x19x35mm)	2			

Recommended tools



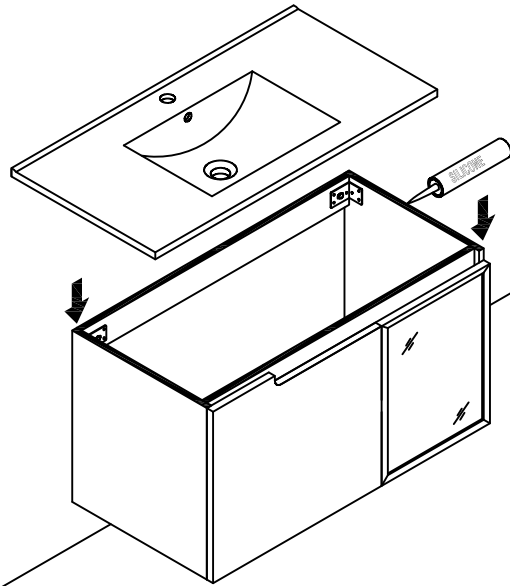
Dimensions



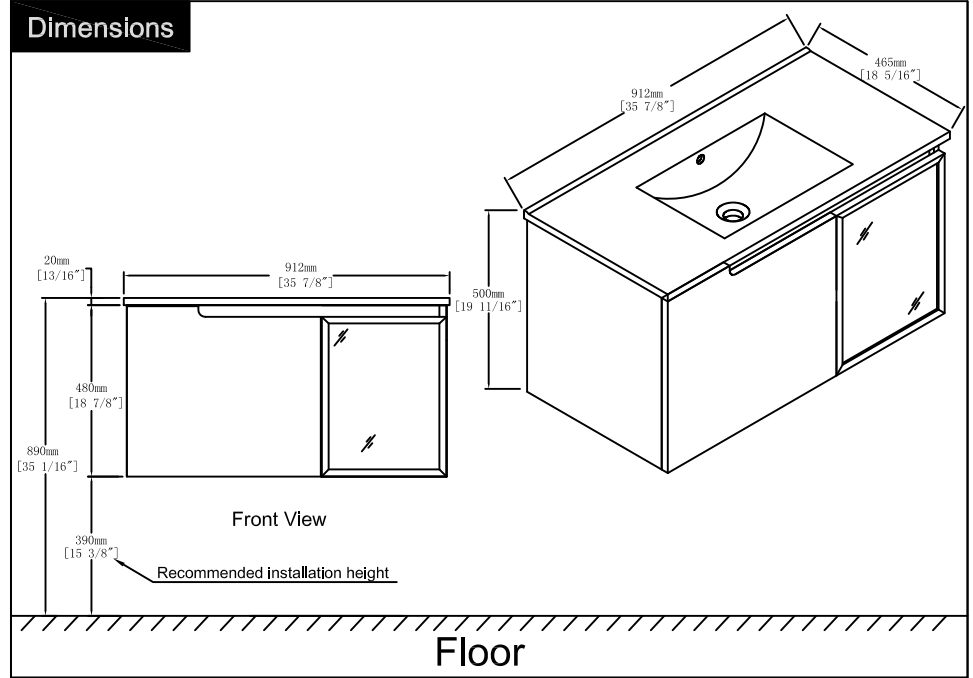
CARE CLEANING AND MAINTENANCE

1. Dust regularly with a soft , dry cloth.
2. Avoid the use of all chemicals household cleaners, abrasives, or cleaners that contain lemon, vinegar, or other acids that may damage the finish.
3. Excessive exposure to sunlight and extreme changes in temperature and moisture can damage wood furniture.
4. The sink is fragile, please pay attention to maintaining its appearance.
5. Do not place hot appliances, such as curling irons and hot hair dryers directly on the countertop. Wipe spills immediately.

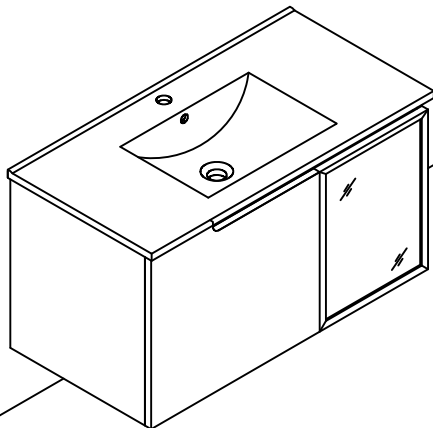
Step 13



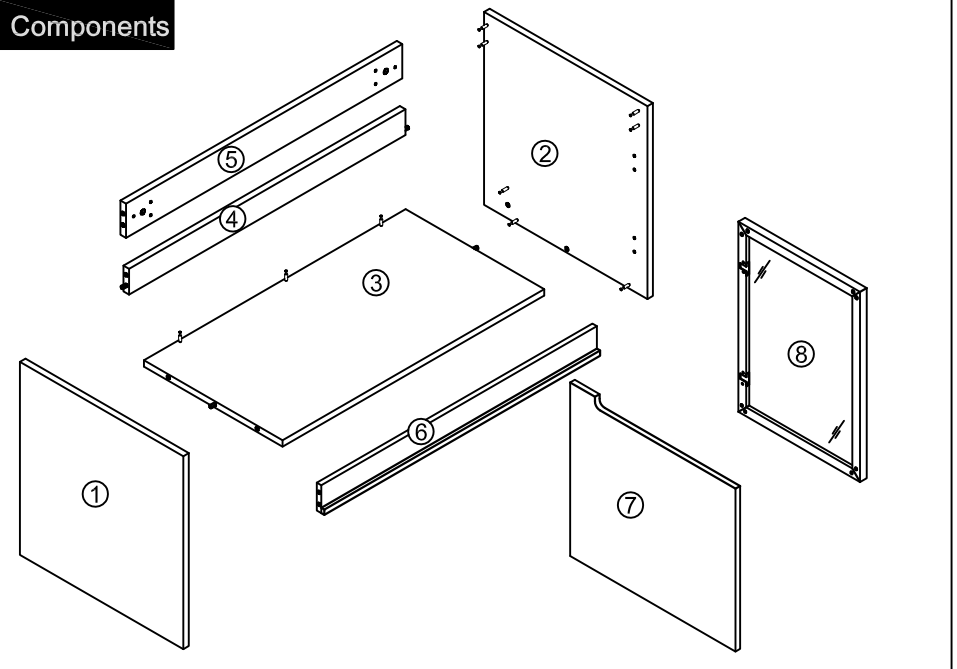
Dimensions



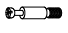

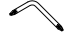
Finished

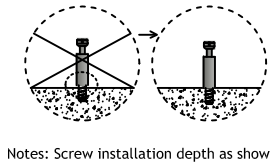
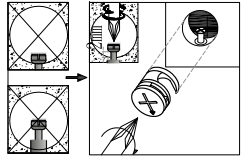
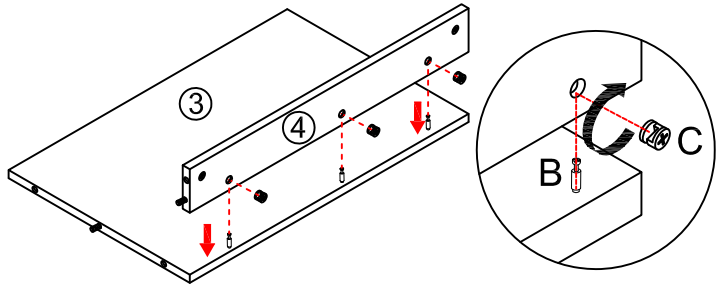


Components

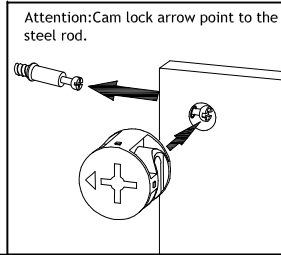


Step 1

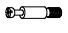


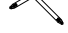
-  x3
- B**
-  x3
- C**
- 
- N**

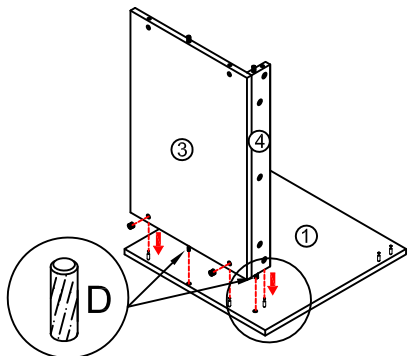
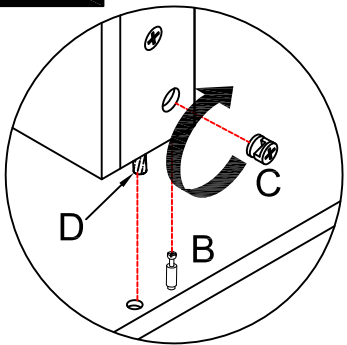


Notes: Screw installation depth as shown

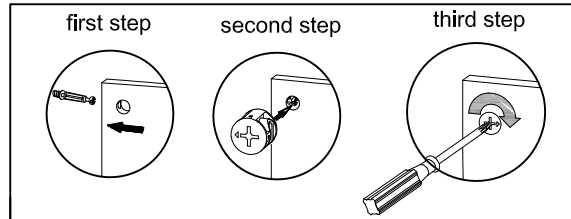
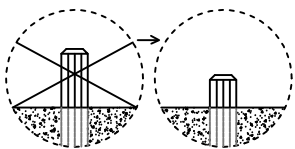


Step 2



-  x3
- B**
-  x3
- C**
-  x2
- D**
- 
- N**

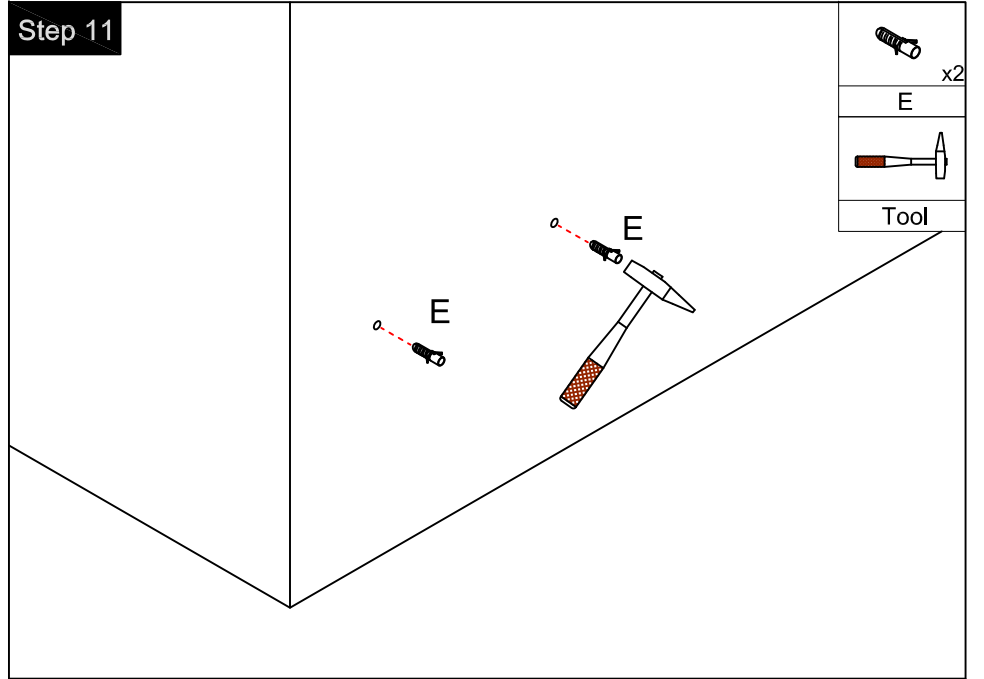


Note: The D parts are used for these two holes

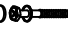



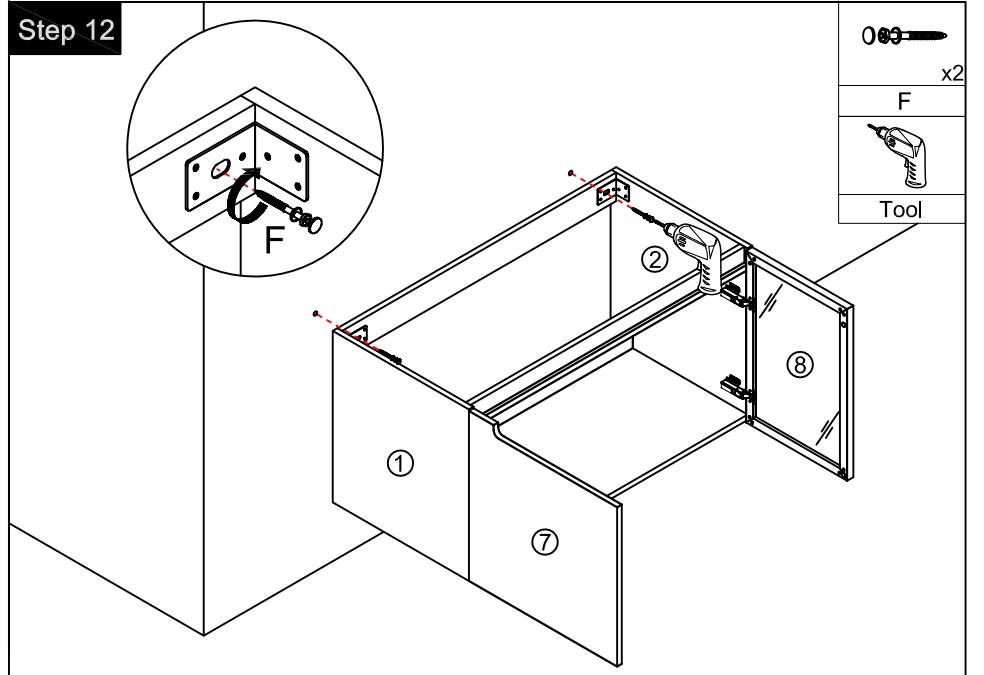
Step 11

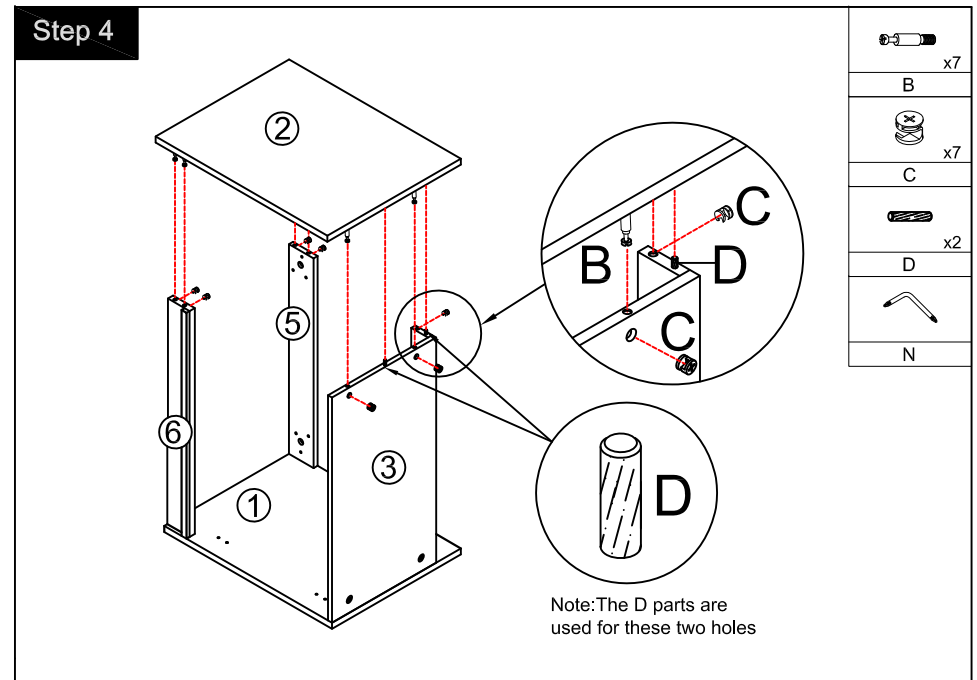
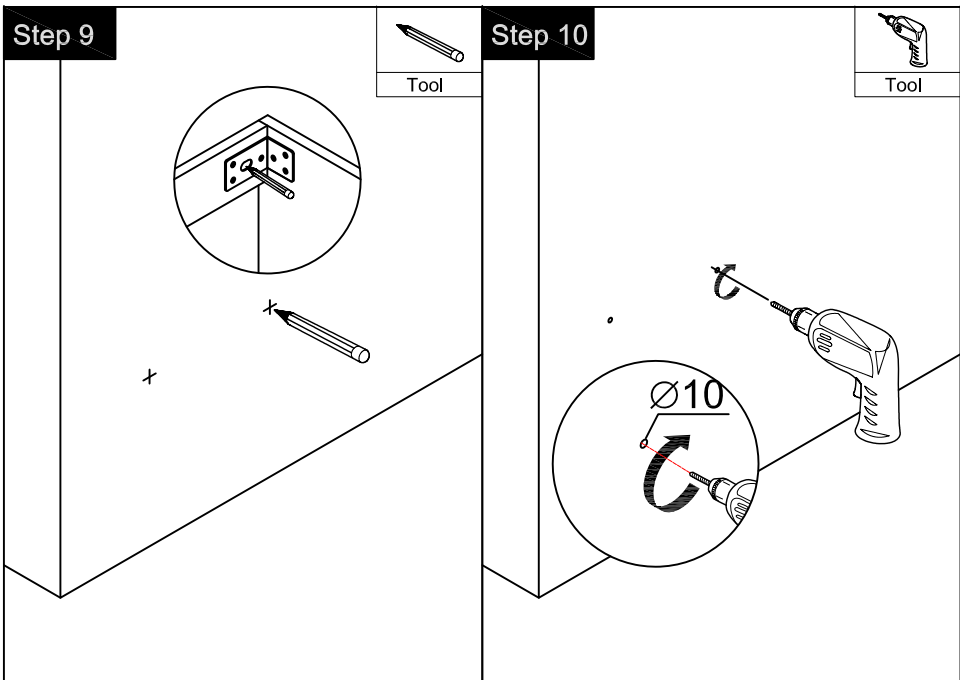
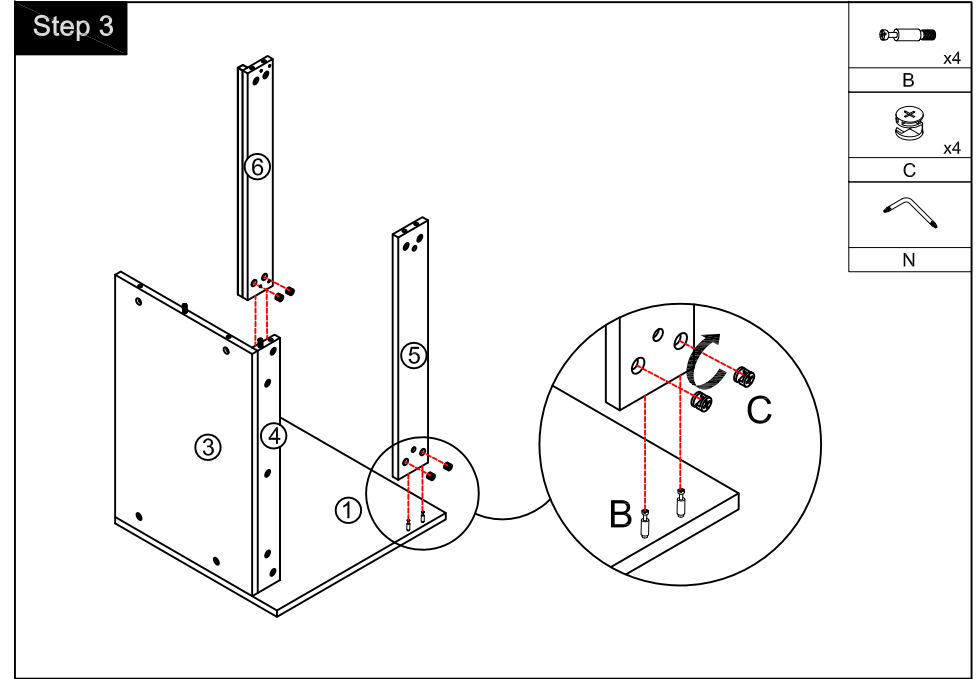
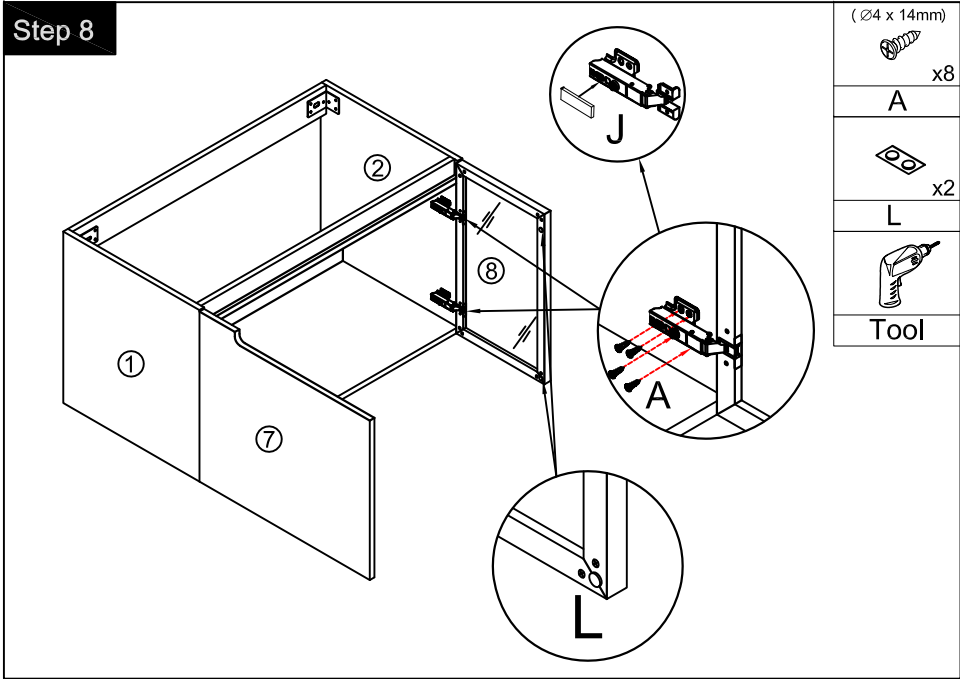
-  x2
- E**
- 
- Tool**



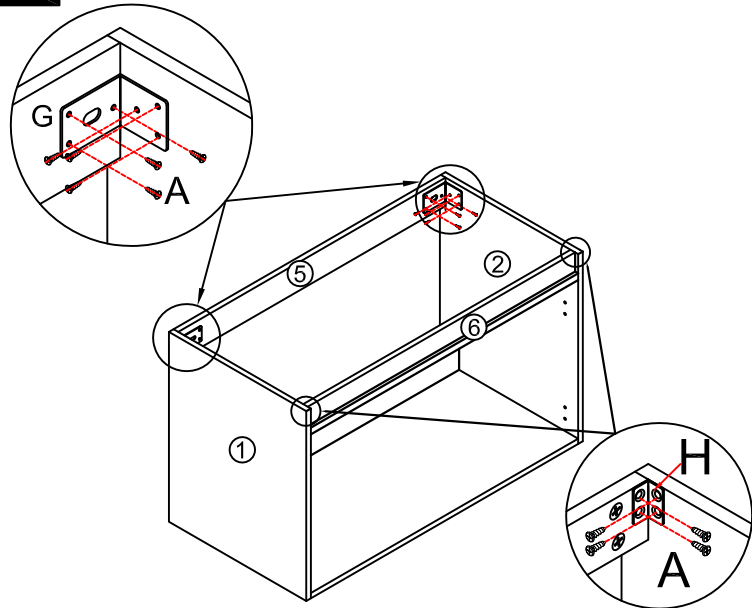
Step 12

-  x2
- F**
- 
- Tool**



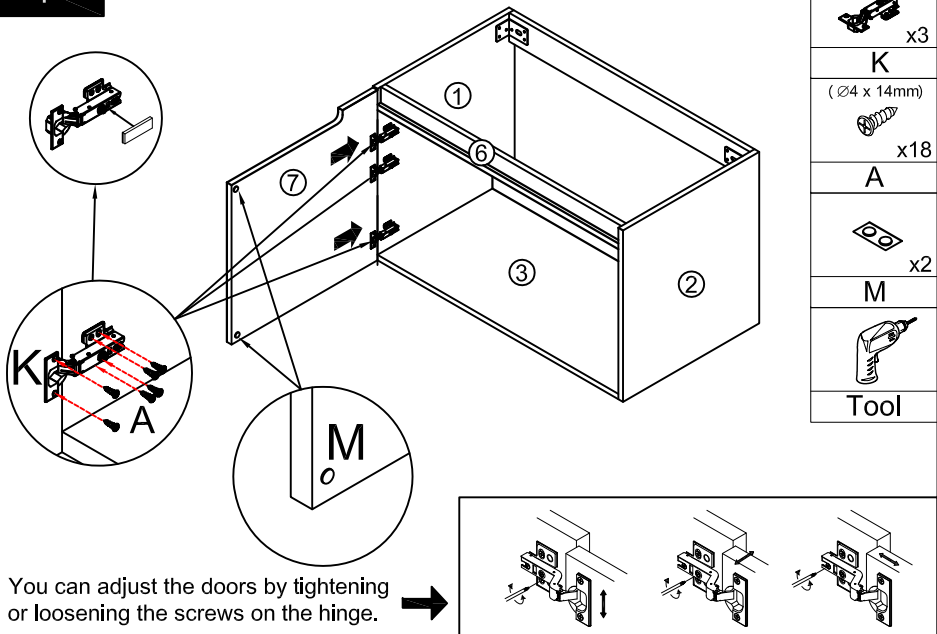


Step 5



	x2
G	
	x2
H	
($\varnothing 4 \times 14\text{mm}$)	
	x20
A	
	Tool

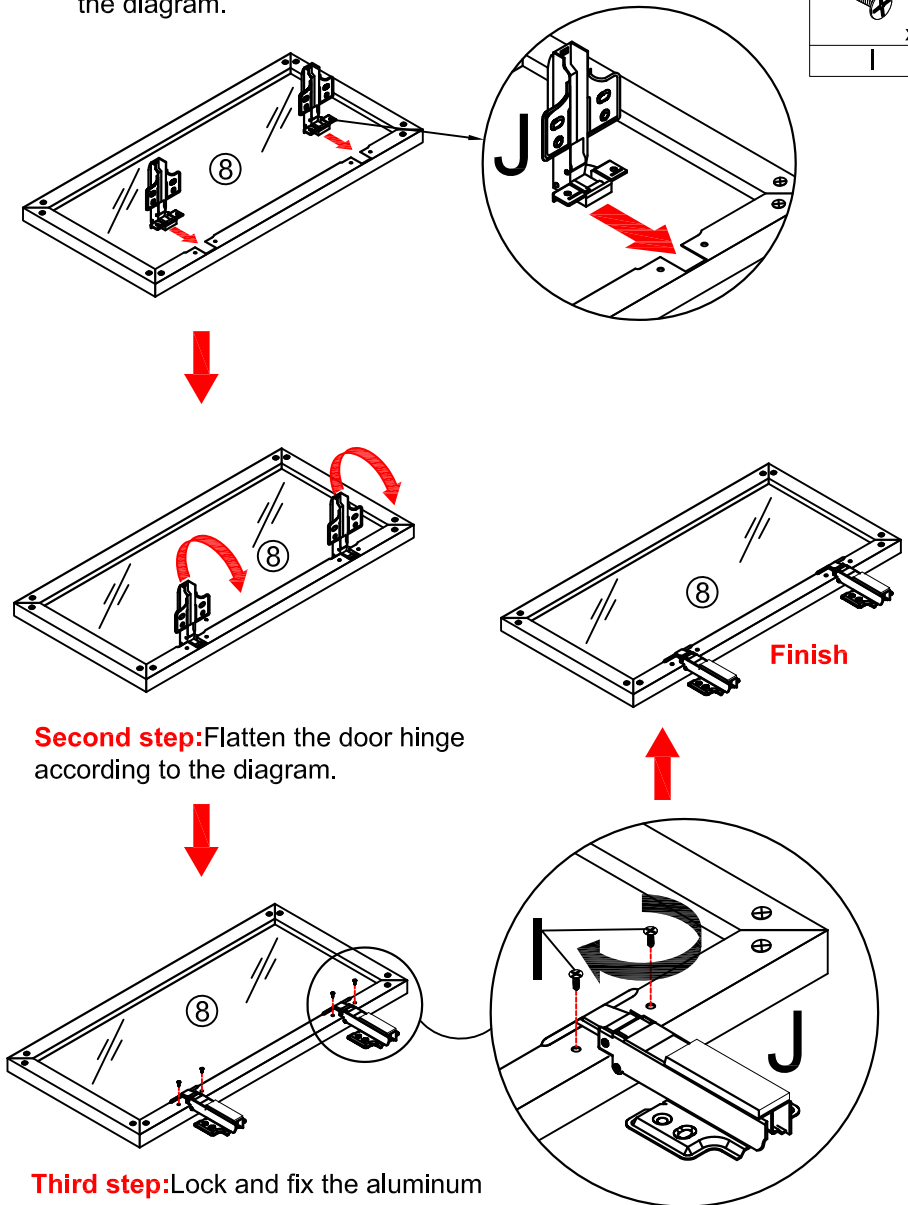
Step 6



	x3
K	
($\varnothing 4 \times 14\text{mm}$)	
	x18
A	
	x2
M	
	Tool

Step 7

First step: Insert the aluminum frame door hinge J into the hinge groove of the door frame as shown in the diagram.



	x2
J	
	x4
I	