

1. Thank you for choosing *our products*.

2. Return Policy



DO NOT RETURN TO THE STORE! Skip the process of returning your product and contact us directly for a replacement

If you find that parts of your order are missing or damaged, we will gladly ship any needed replacement parts free of charge.

If your product's quality does not meet your expectations or you have found any sort of defect, please contact our customer service department and let us know the details of your order and any issues encountered, we will try our best to provide you with a solution. Feel free to also directly contact our manufacturer concerning needed replacement parts and they will be happy to help provide you with a solution or answer any questions you may have.

### Recommendations Before Beginning Assembly



- Read instructions, cover to cover



- Have 2-4 adults on hand for assembly depending on product size



- Do not assemble directly on flooring or carpet



- Assemble on a clean non-marring surface (example: packing foam)



- Save all packaging until finished











### 3. Assembly Notice:

- If you encounter any problems during assembly and find that you cannot continue, rest assured we will help you solve the situation as soon as possible. Simply keep all of the parts of the product stored in a safe place and contact us immediately so we may assist you further.
- Once you have opened your package, remove all inner hardware packages and take the parts out. One by one, Place the parts out neatly in front of you, then refer to the instructions to ensure no parts are missing. If any pieces are found missing, please carefully look in the box first, as the hardware packaging might have torn making the

hardware spill in the box.

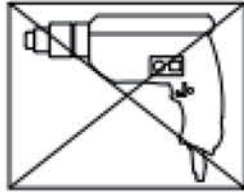
- Some key parts of your product may be stored and hidden inside of other parts. Please open any zippered or hook & loop storage compartments to remove all parts. (example: cushions and legs being stored in the underside of a sofa)
- **IMPORTANT:** When setting up your product, **DO NOT INSTALL THE SCREWS ALL THE WAY IN THE BEGINNING.** Place each screw into their proper hole and use your hand to twist the screw halfway. Twist all the screws in halfway to ensure the holes will match up properly and the product is level on the ground. When everything seems fitted, then tighten the screws.
- When you have completed assembly, we suggest you have more than one person to assist you with lifting and placing the product.

## Care & Maintenance

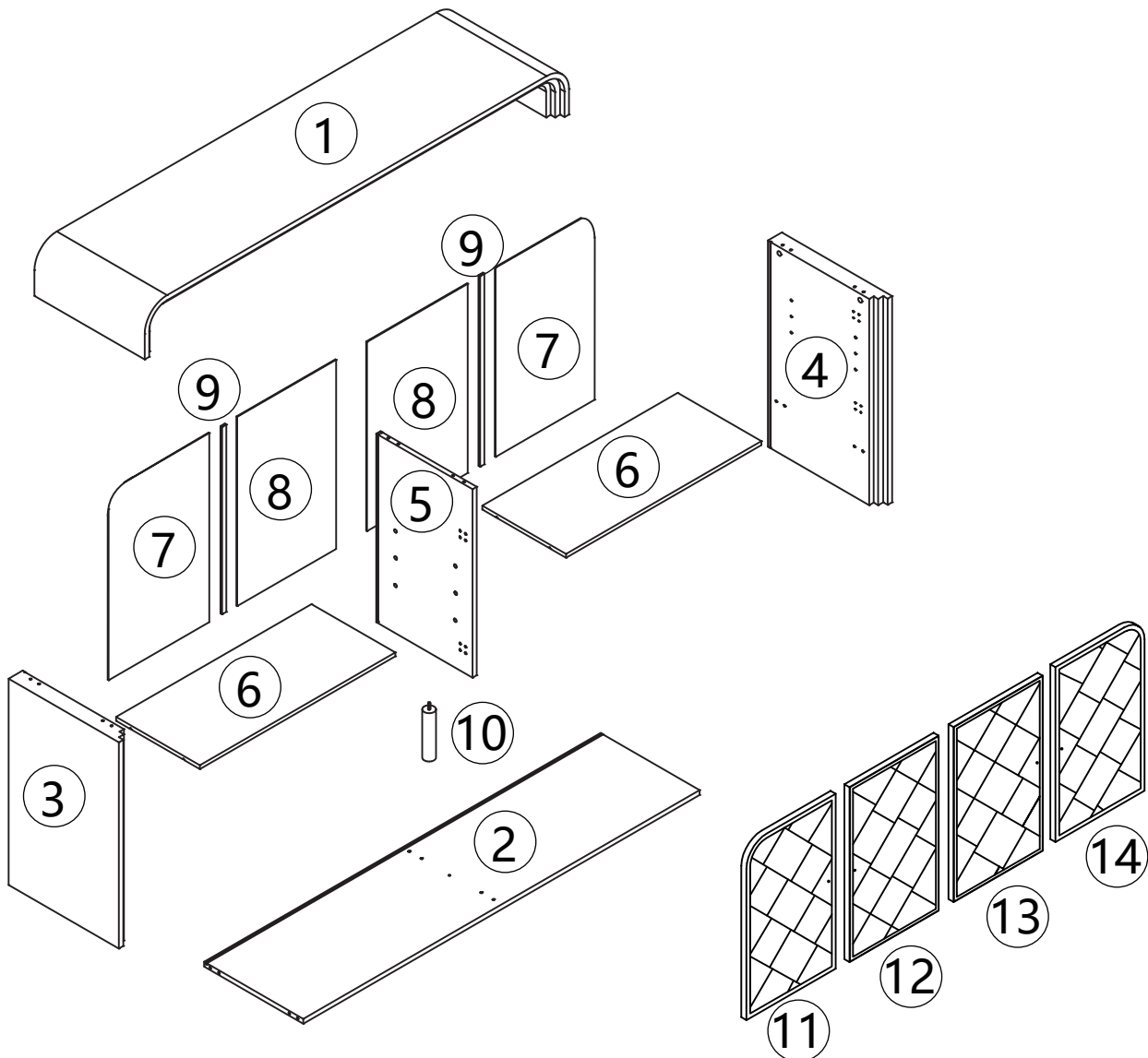
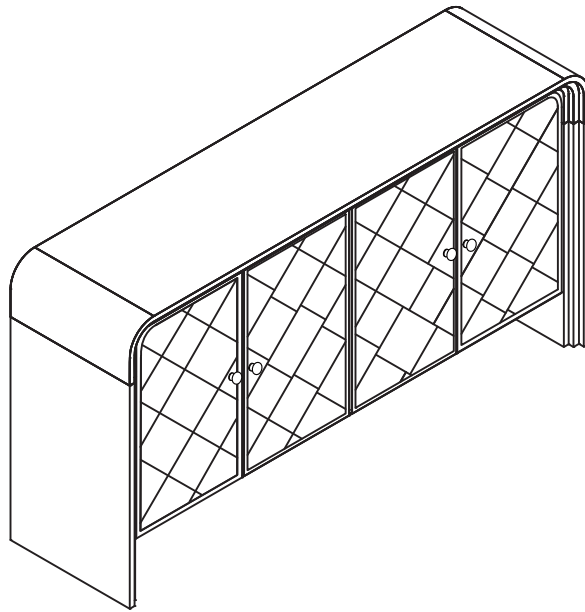
-  Do not put hot items directly on furniture surface
-  Do not clean furniture with harsh cleansers or polish
-  Do not place furniture under direct sunlight
-  Do not place furniture near heating or cooling vents
-  Do not write on furniture without a padded barrier to protect the surface
-  Do not place furniture outside. For indoor use only
-  Not for commercial use. For residential use only
-  Stains may be removed with mild soap solution and damp cloth
-  Children should not climb or jump on the furniture
-  Dust and pick-up spills using a clean, non-colored, lint-free cloth

## Caution

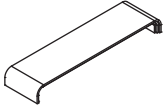

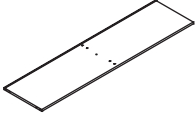



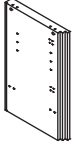



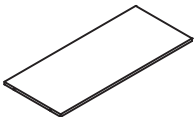

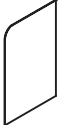




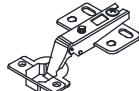
- This product contains small components. Please ensure that they are kept away from small children.
- Do not use power tools to assemble your furniture. Power tools may strip or damage the parts.



# SKU:N711P269061




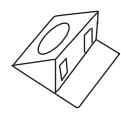
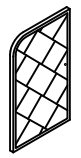

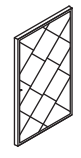
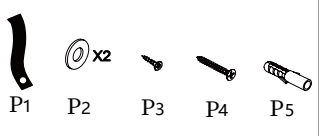
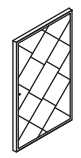
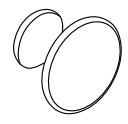
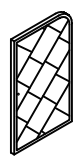
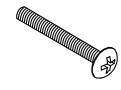
HARDWARE LIST

PART LISTS				HARDWARE LIST			
NO	DESCRIPTION	SKETCH	QTY	NO	DESCRIPTION	SKETCH	QTY
①		TOP FRAME	1PC	A	CAM LOCK BOLT 06*35mm	 Ø6x35mm	10PCS
②		BOTTOM PANEL	1PC	B	CAM LOCK NUT 15*10mm	 Ø15x10mm	10PCS
③		LEFT PANEL	1PC	C	WOOD DOWEL 6*30mm	 Ø6x30mm	12PCS
④		RIGHT PANEL	1PC	D	BOLT 5*40mm	 Ø5x40mm	2PCS
⑤		MIDDLE PANEL	1PC	E	SCREWDRIVER		1PC
⑥		LAYER PANEL	2PCS	G	BOLT 3*14mm	 Ø3x14mm	8PCS
⑦		BACK SIDE PANEL	2PCS	H	SHELF NAIL		8PCS
⑧		BACK MIDDLE PANEL	2PCS	L	HINGE		4PCS
⑨		BACK PANEL STRIP	2PCS	K	HINGE		4PCS

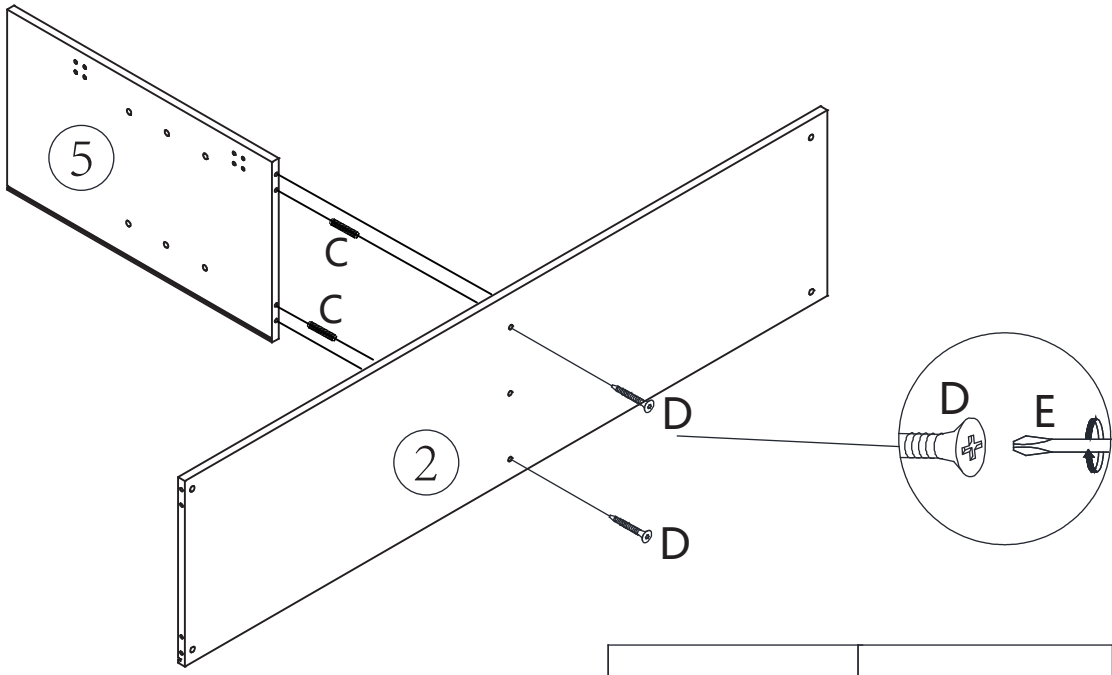
## HARDWARE LIST




### PART LISTS

### HARDWARE LIST

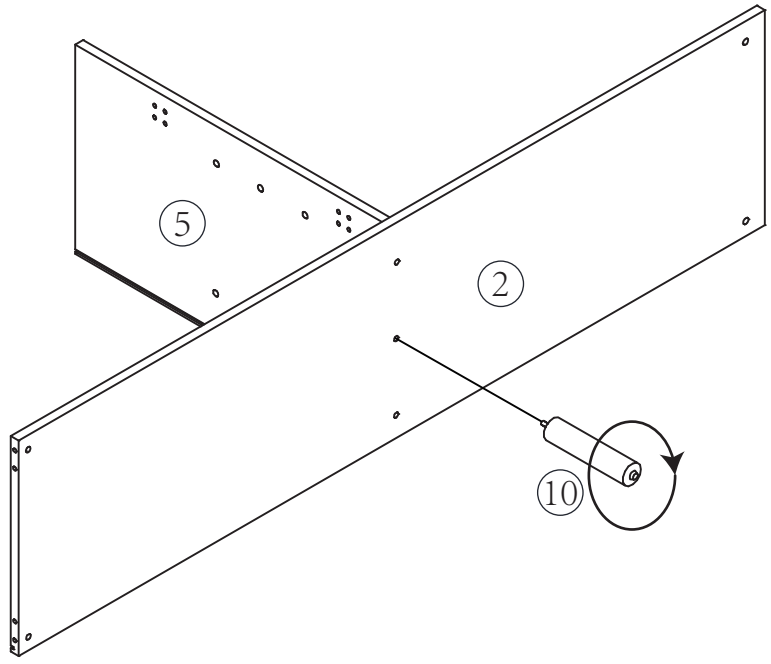
NO	DESCRIPTION	SKETCH	QTY	NO	DESCRIPTION	SKETCH	QTY
⑩			1PC	J	BACK PANEL BRACKET		8PCS
⑪			1PC	M	BOLT 4*14MM	 Ø4x14mm	48PCS
⑫			1PC	P	FURNITURE TIPPING RESTRAINT	 P1 P2 P3 P4 P5	2PCS
⑬			1PC	F	HANDLE		4PCS
⑭			1PC	N	BOLT 4*22MM	 Ø4x22mm	4PCS

# STEP 1

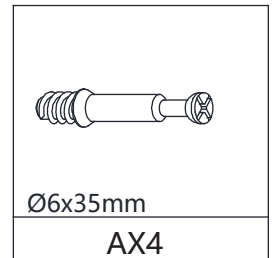
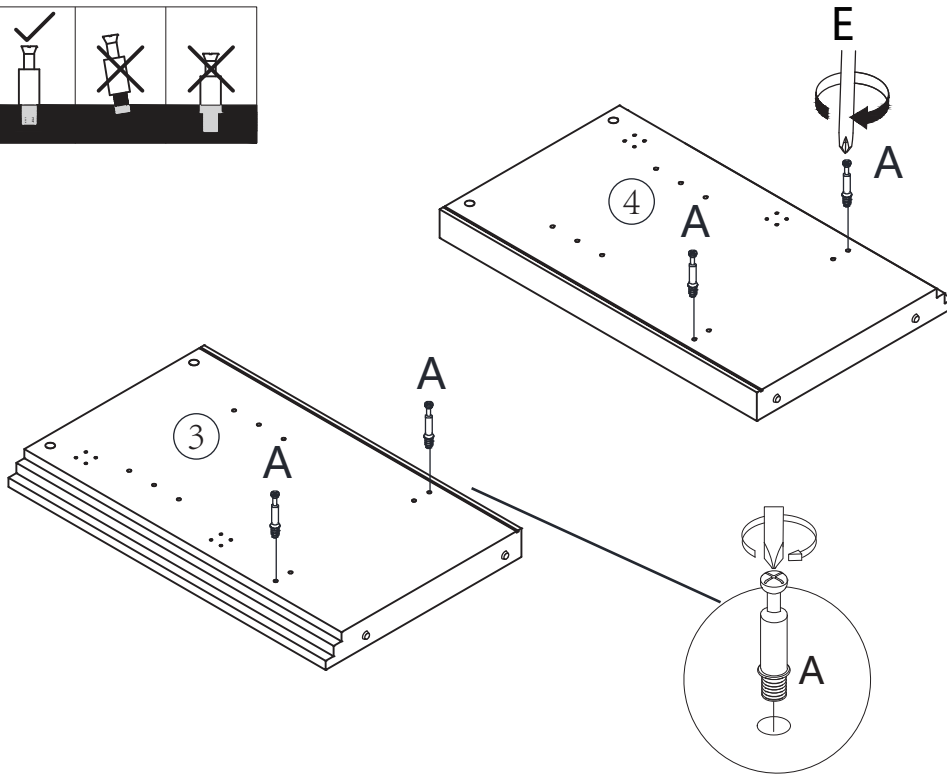
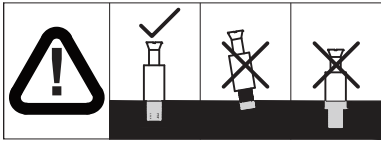


 <p>Ø6x30mm</p>		 <p>Ø5x40mm</p>
<p>CX2</p>	<p>EX1</p>	<p>DX 2</p>

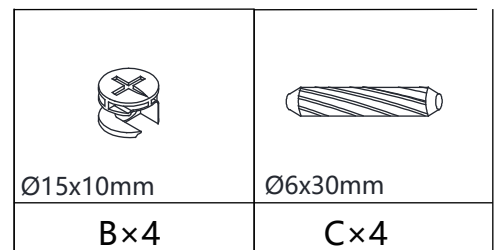
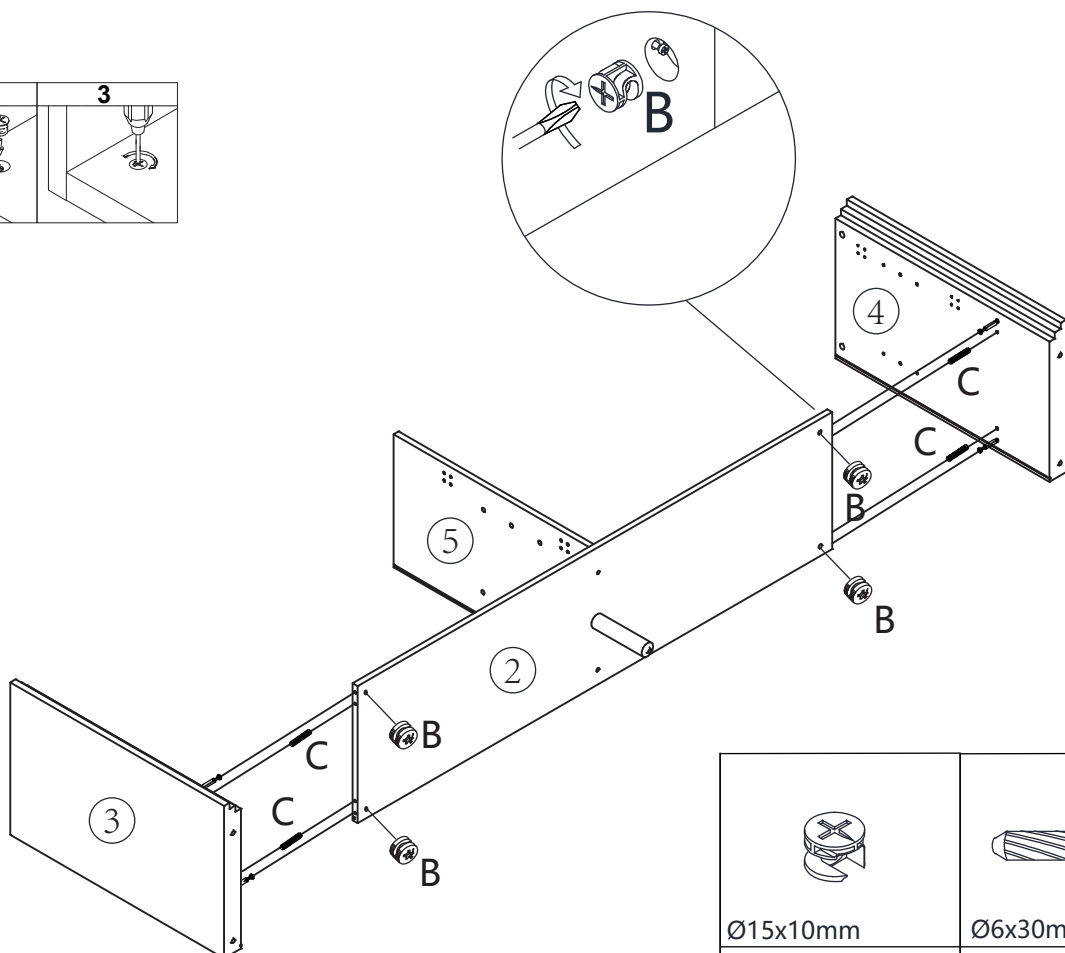
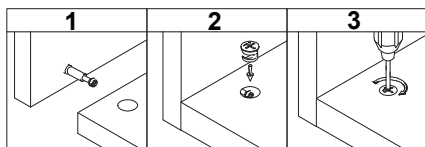
# STEP 2



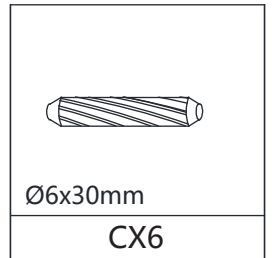
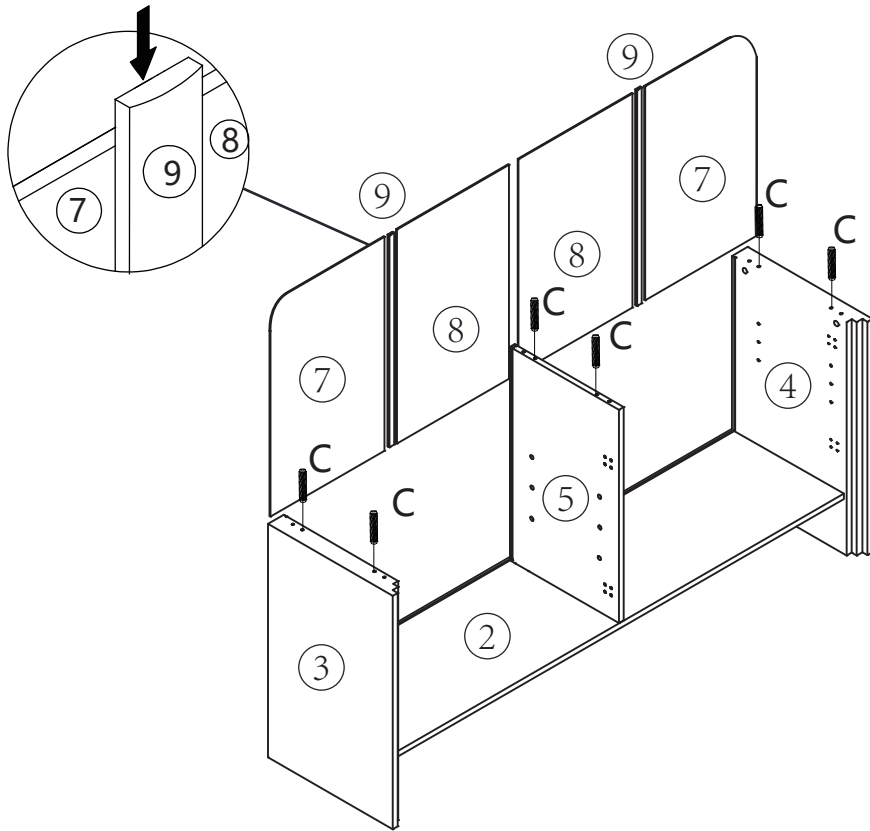
# STEP 3



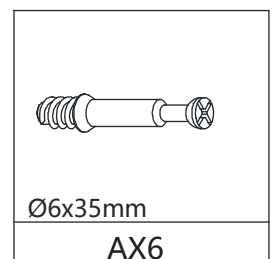
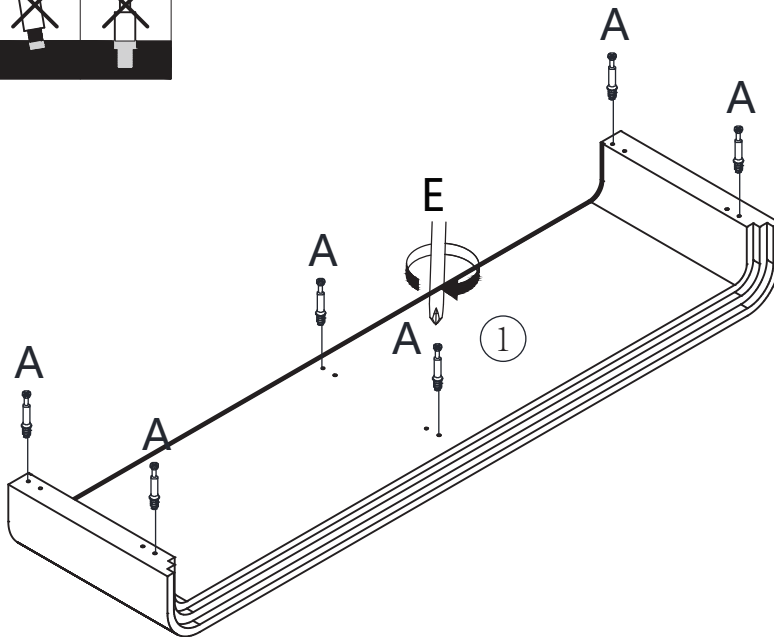
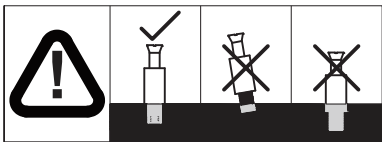
# STEP 4



# STEP 5

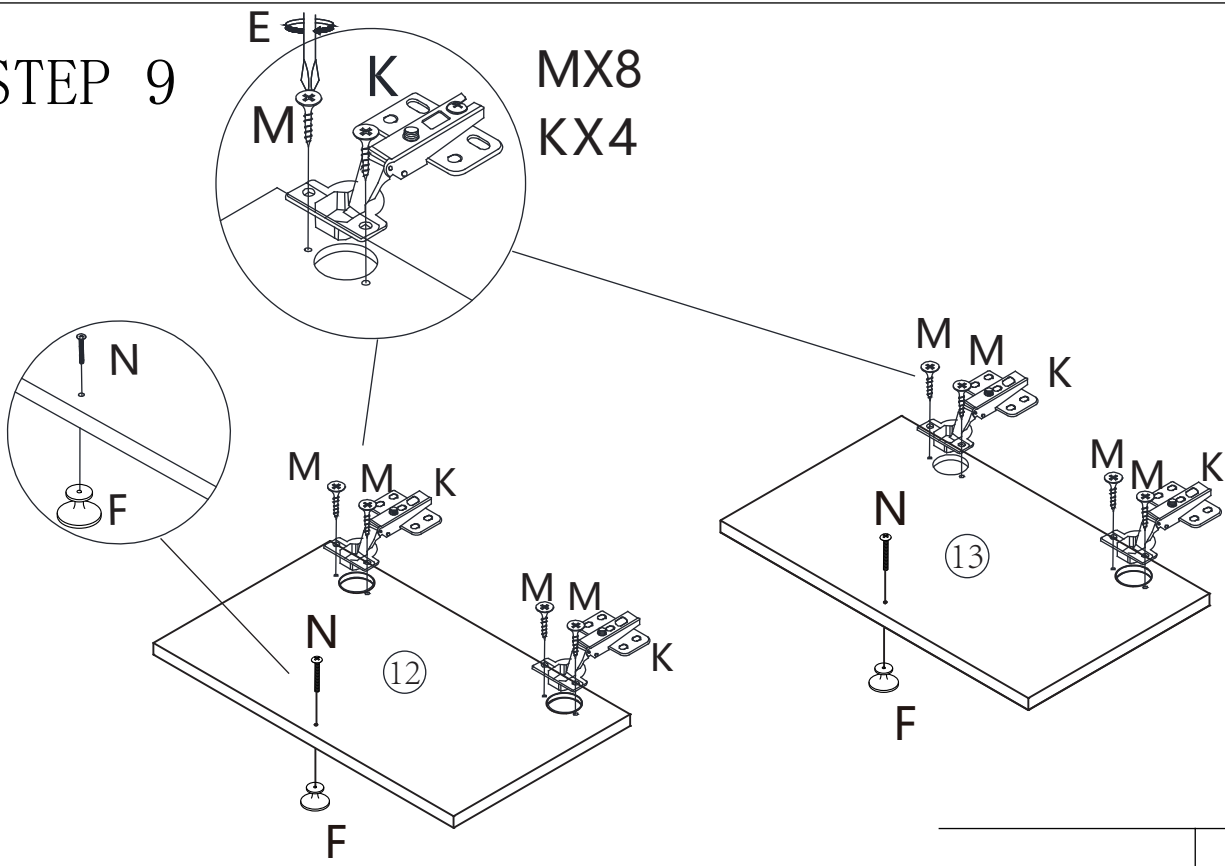


# STEP 6

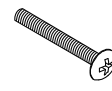





# STEP 9

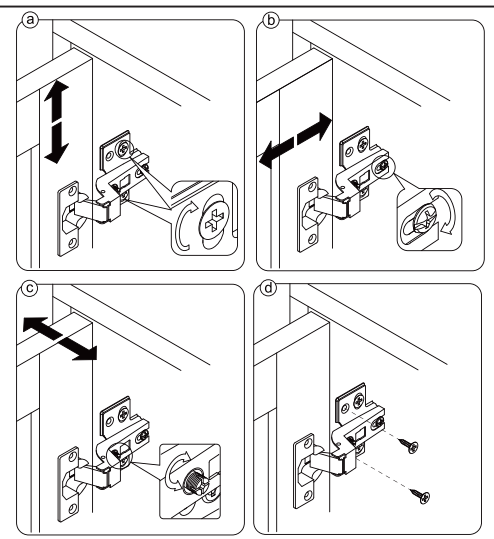
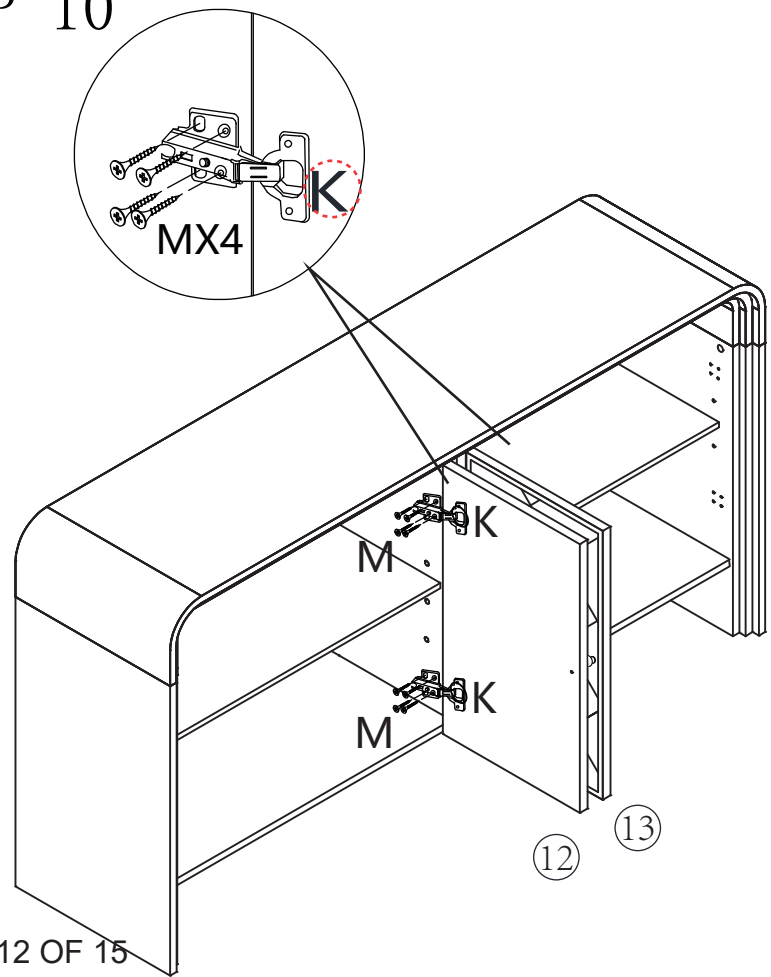


  
 x14mm  
 MX8

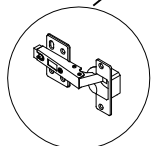
  
 Ø4x22mm  
 NX2


  
 FX2

# STEP 10

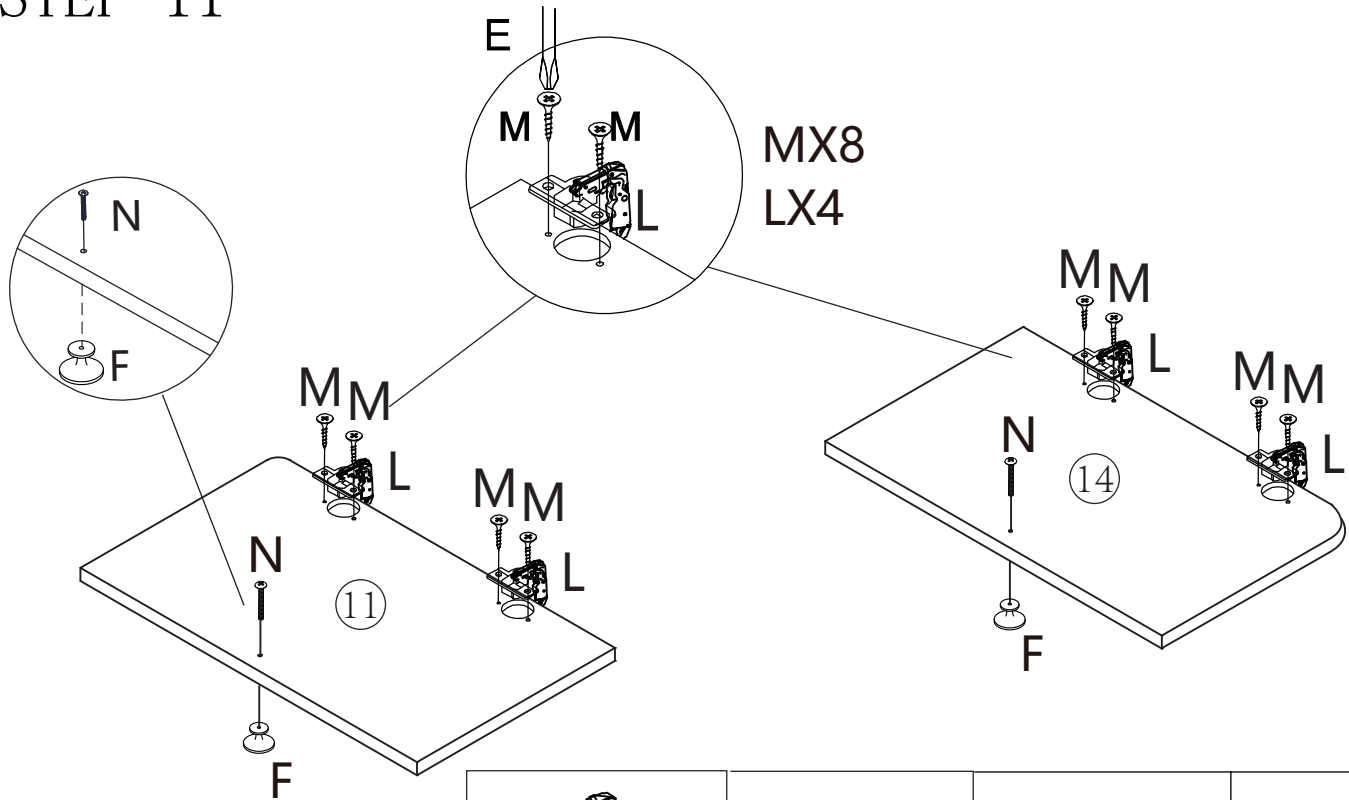




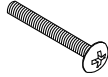

NOTE: If the doors are uneven or there is a gap in the middle, loosen or tighten the screw on the door hinge until they are sitting flush.



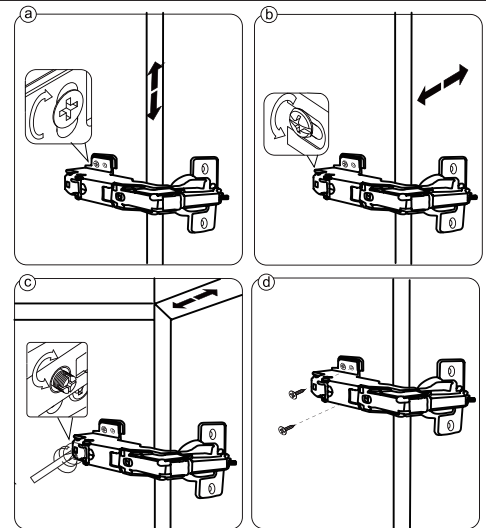
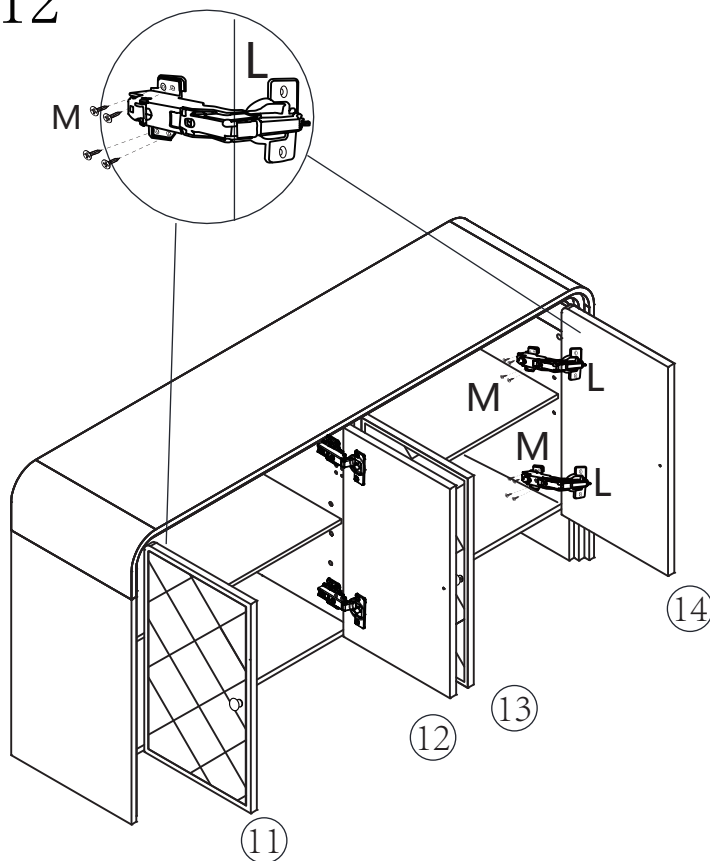
  
 Ø4x14mm  
 MX16

# STEP 11




			
LX4	Ø 4x14mm MX8	Ø4x22mm NX2	FX2

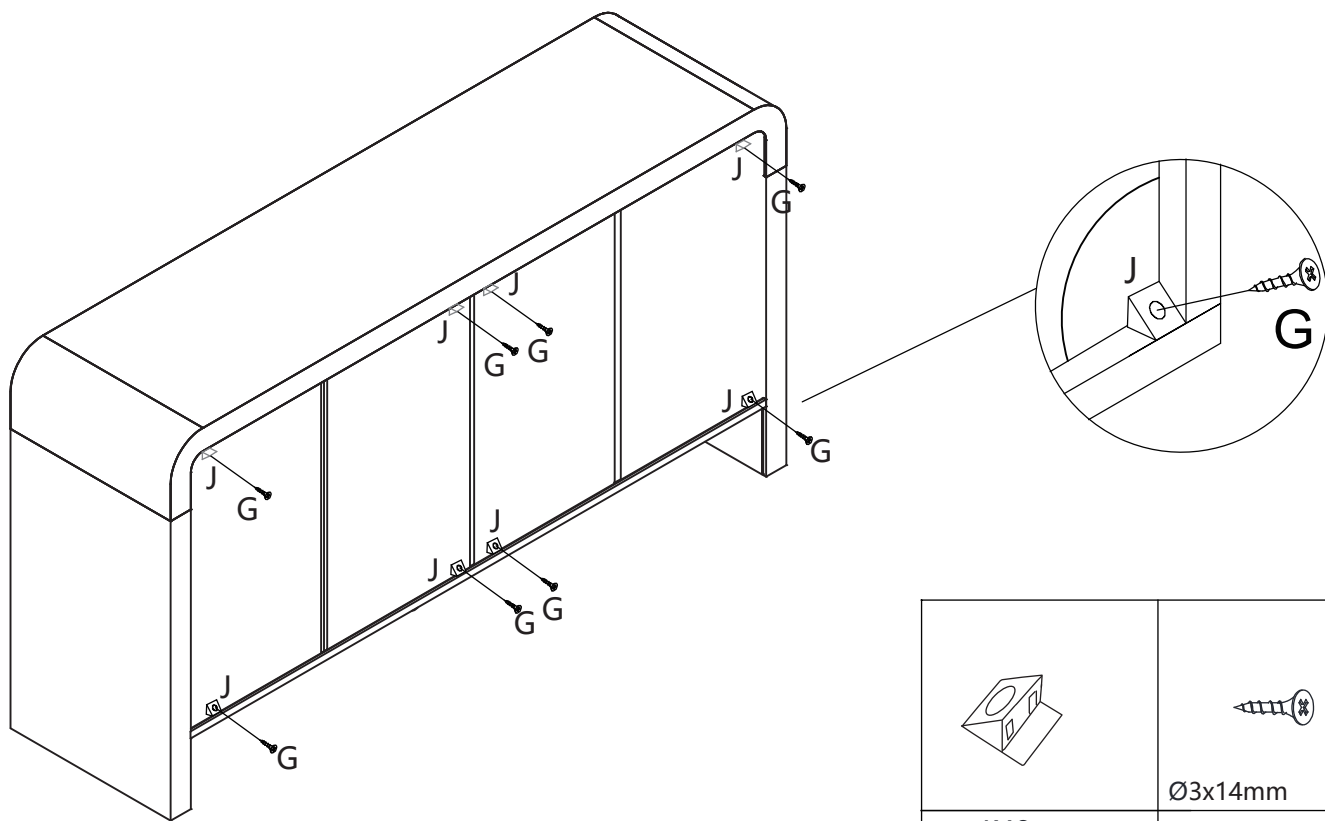
# STEP 12

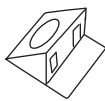



NOTE: If the doors are uneven or there is a gap in the middle, loosen or tighten the screw on the door hinge until they are sitting flush.

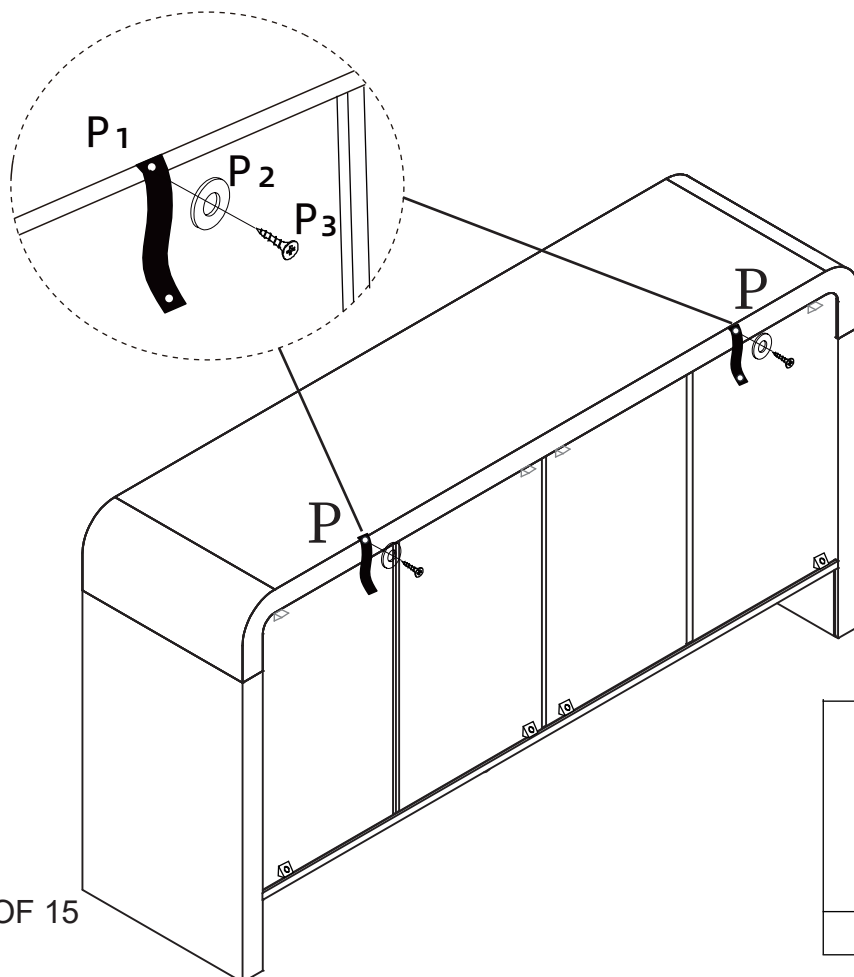

Ø 4x14mm MX16




# STEP 13



	
JX8	Ø3x14mm GX8

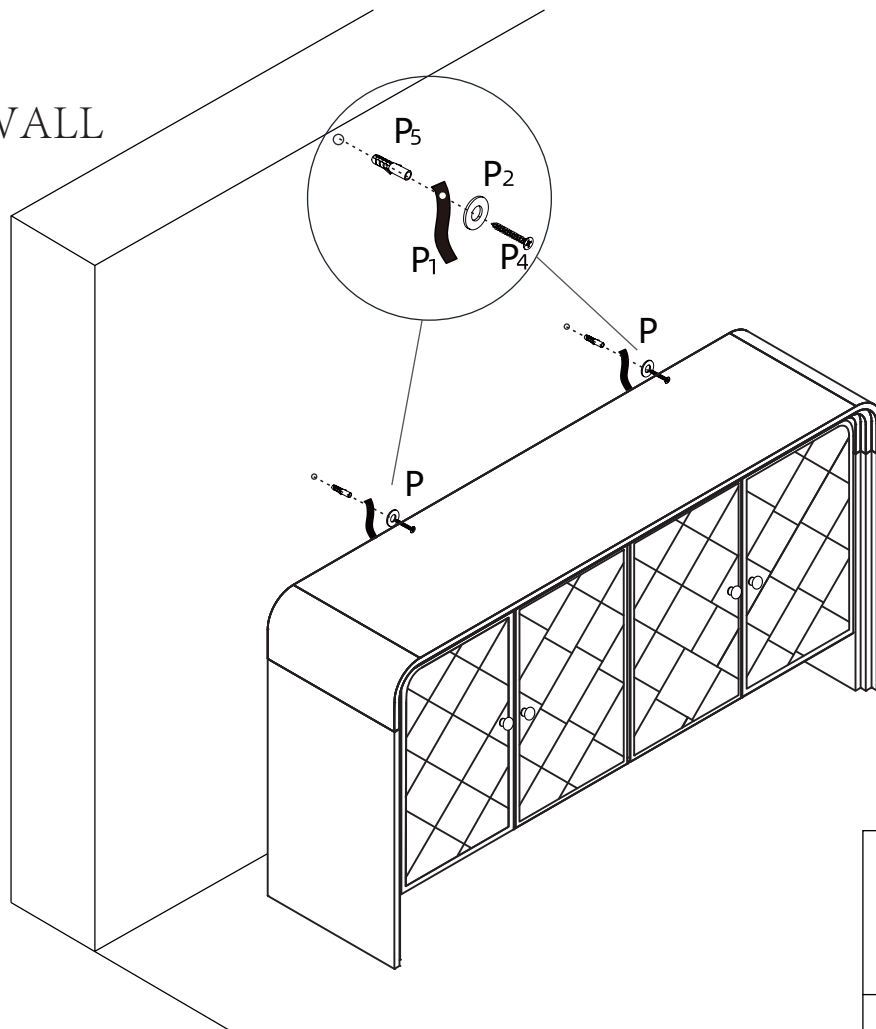
# STEP 14



		
P 1	P 2	P 3
P X 2		

# STEP 15

WALL

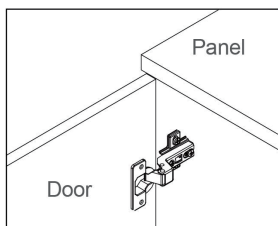


## Assembly Steps(EN) / Montageschritte(DE)

HOW TO ADJUST THE HINGES TO ALIGN THE DOORS IF NEEDED.

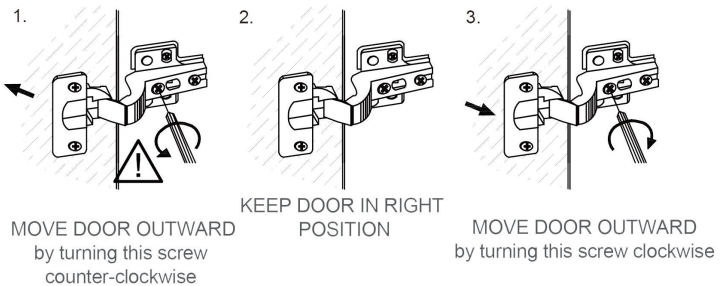
### STEP 1

Open the door.



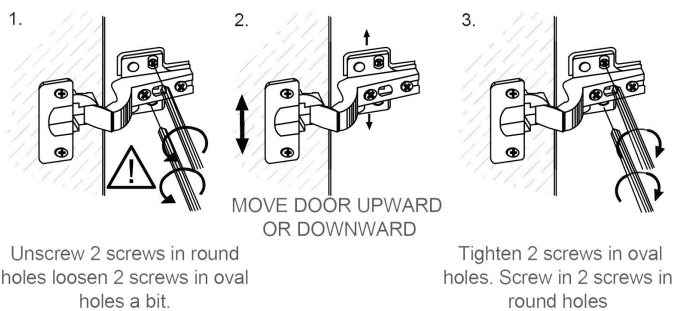
### STEP 3

Adjust the flush between door panel and side panel



### STEP 2

Adjust the door panels upward or downward



### STEP 4

Adjust the Gap between door panel and side panel

