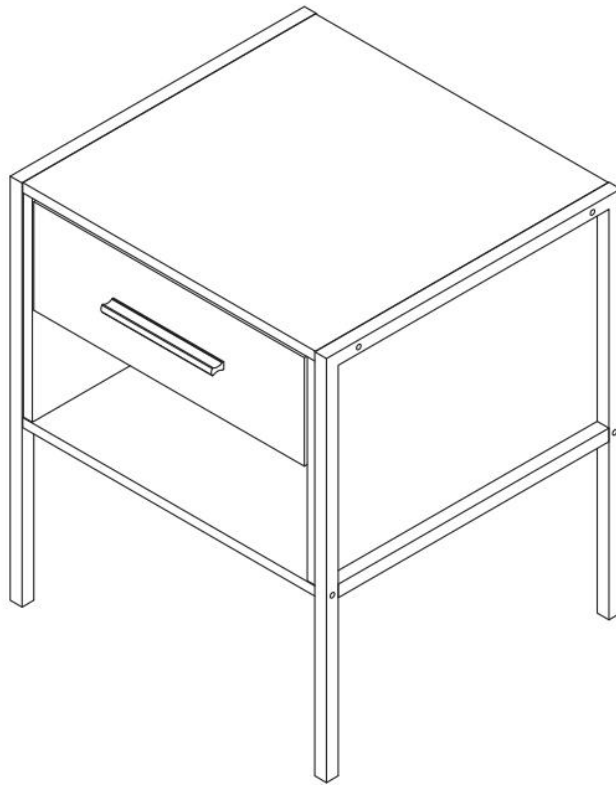


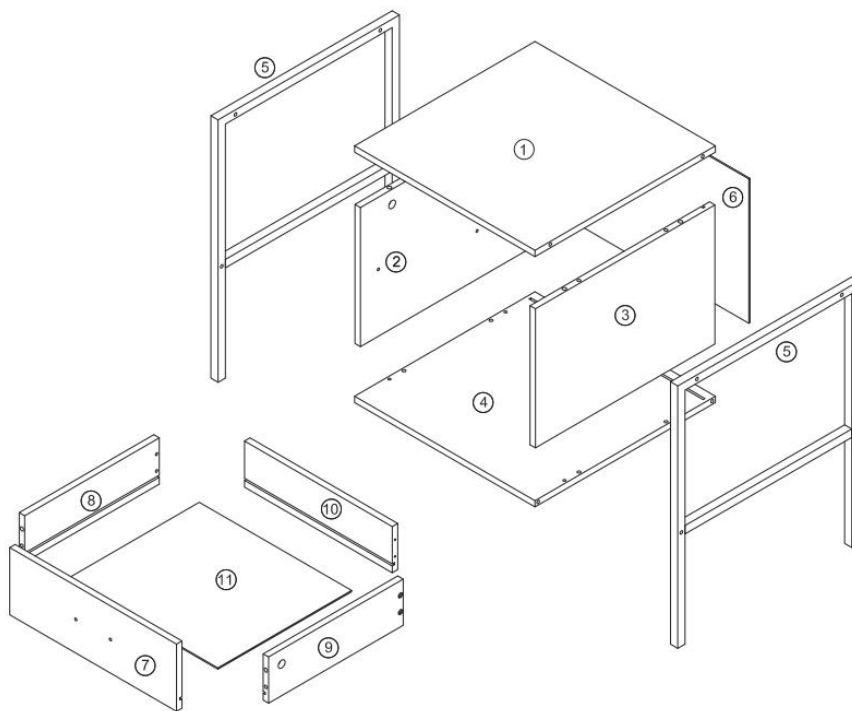
Assembly Instruction


















Product name

1 Drawer Bedside Cabinet

The Accessories

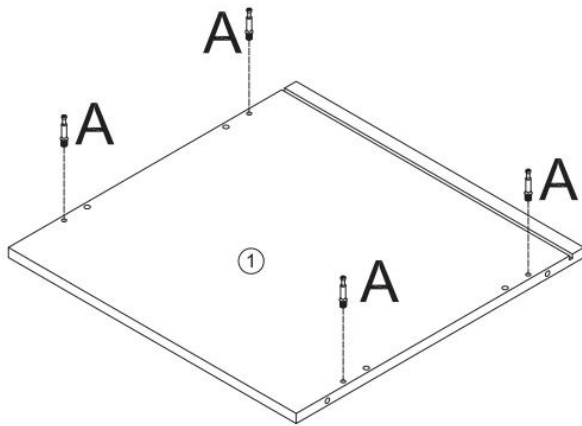


The Hardware

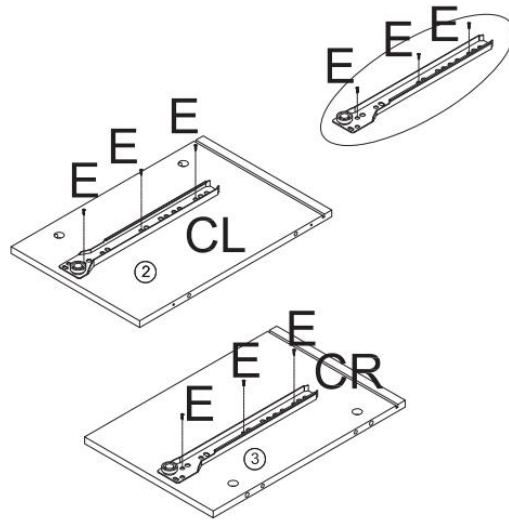
Letter	Draw	Number	Letter	Draw	Number
A		6PCS	I	 M3	1PC
B		6PCS	J	 $\phi 3 \times 16 \text{mm}$	4PCS
C	 $\phi 6 \times 30 \text{mm}$	10PCS	K		4PCS
D	 $\phi 4 \times 30 \text{mm}$	8PCS	CL	 350mm	1PC
E	 $\phi 3 \times 12 \text{mm}$	12PCS	CR	 350mm	1PC
F		1PC	DL	 350mm	1PC
G	 M4x16mm	2PCS	DR	 350mm	1PC
H	 M5x50mm	8PCS			

Assembling

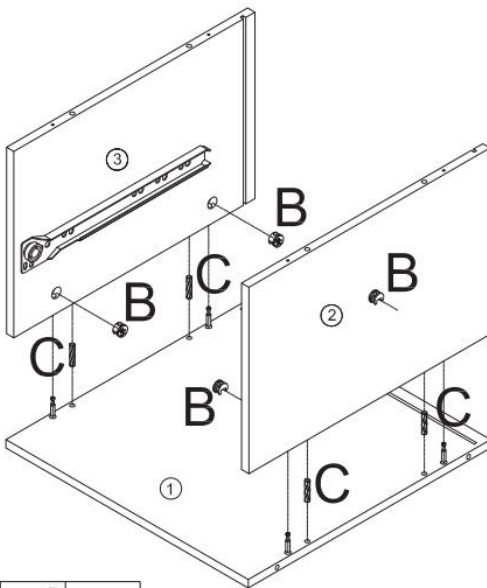
Step 1



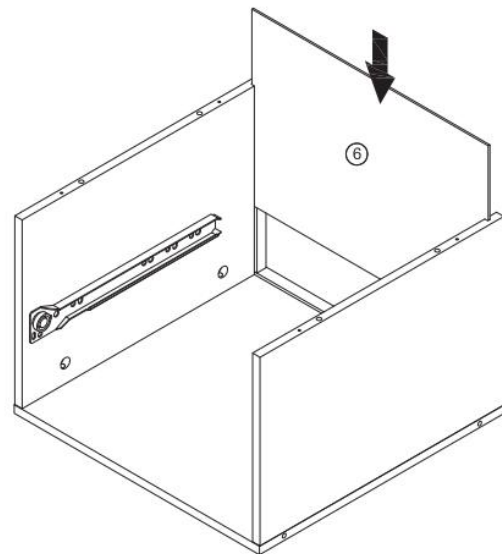
Step 2



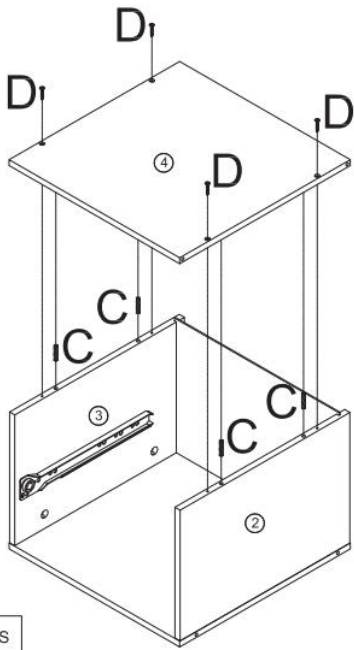
Step 3



Step 4



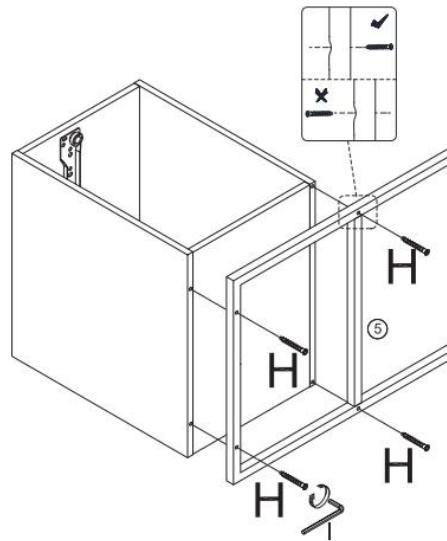
Step 5



C		4PCS
---	--	------

D		4PCS
---	--	------

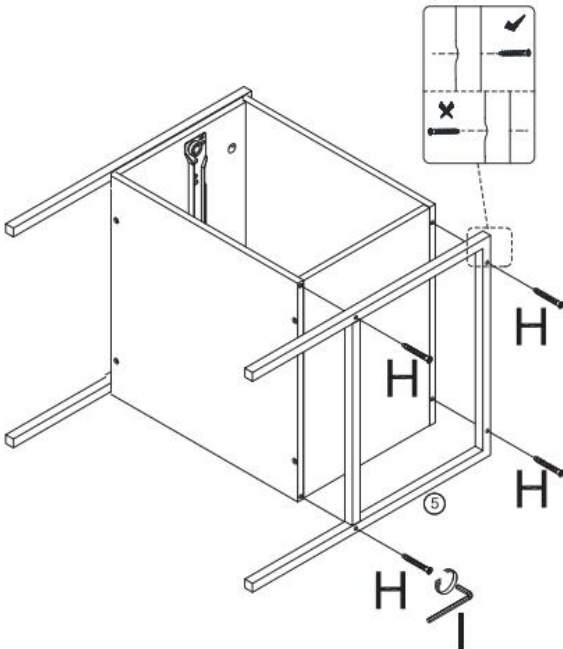
Step 6



I		1PC
---	--	-----

H		4PCS
---	--	------

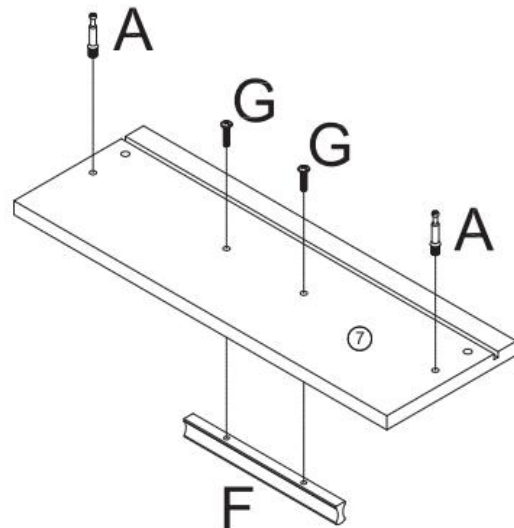
Step 7



I		1PC
---	--	-----

H		4PCS
---	--	------

Step 8

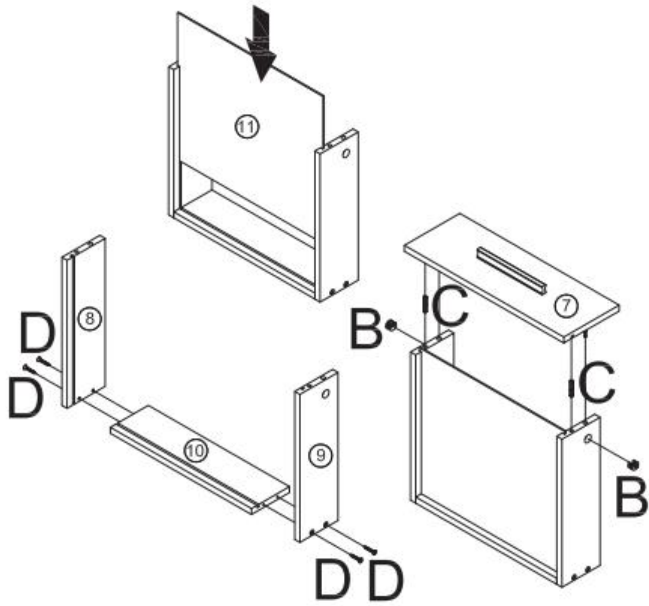


F		1PC
---	--	-----

A		2PCS
---	--	------

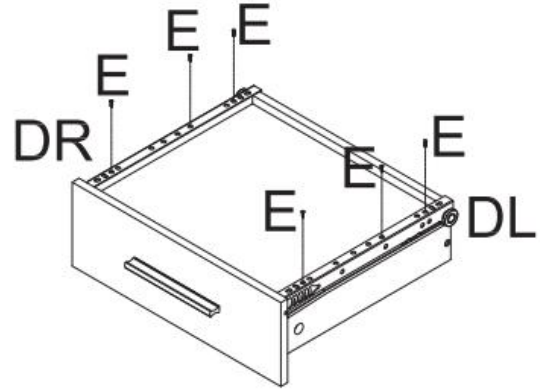
G		2PCS
---	--	------

Step 9



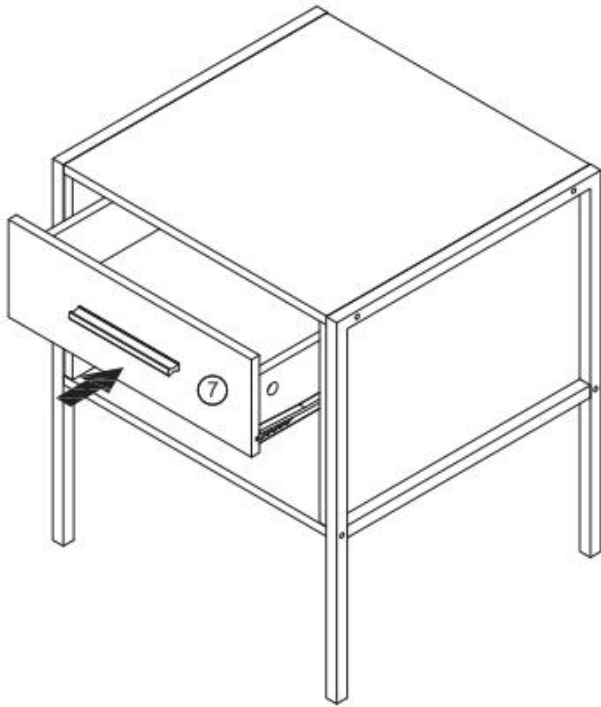
D		4PCS	B		2PCS	C		2PCS
---	--	------	---	--	------	---	--	------

Step 10

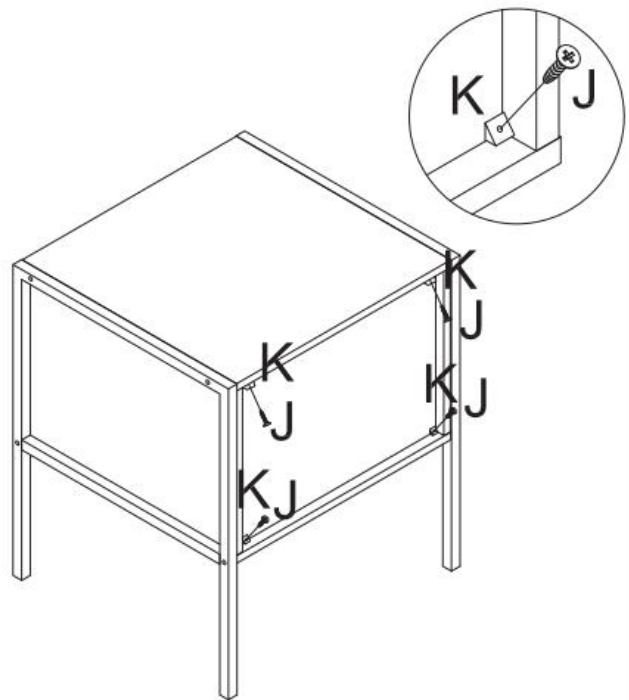


E		6PCS	DL		1PC	DR		1PC
---	--	------	----	--	-----	----	--	-----

Step 11



Step 12



J		4PCS	K		4PCS
---	--	------	---	--	------

Proper Use

Please note:

Please keep small parts out of reach of children.

Always use on a level, even surface.

It is recommended that two people handle and assemble the item.

DO NOT leave spilled liquid in the cabinet

DO NOT exceed weight limit

DO NOT make temporary repairs

DO NOT use outdoors

DO NOT use this item if any parts are missing, damaged or worn.

DO NOT use this item unless all fixings are secured.

DO NOT push the item as this will damage the base.

DO NOT place the item next to a radiator or direct sunlight–this item is susceptible to temperature change. It is recommended an even room temperature be maintained with no sudden fluctuations.

DO NOT place hot or cold items directly onto the surface of the item as marking will occur. For general cleaning use a duster or damp cloth (almost dry) not wet–do not use soap and water, detergents, aerosol sprays or any polish as use of these materials would invalidate any claims.

DO NOT place the item onto wet or damp flooring as staining may occur to the floor.