



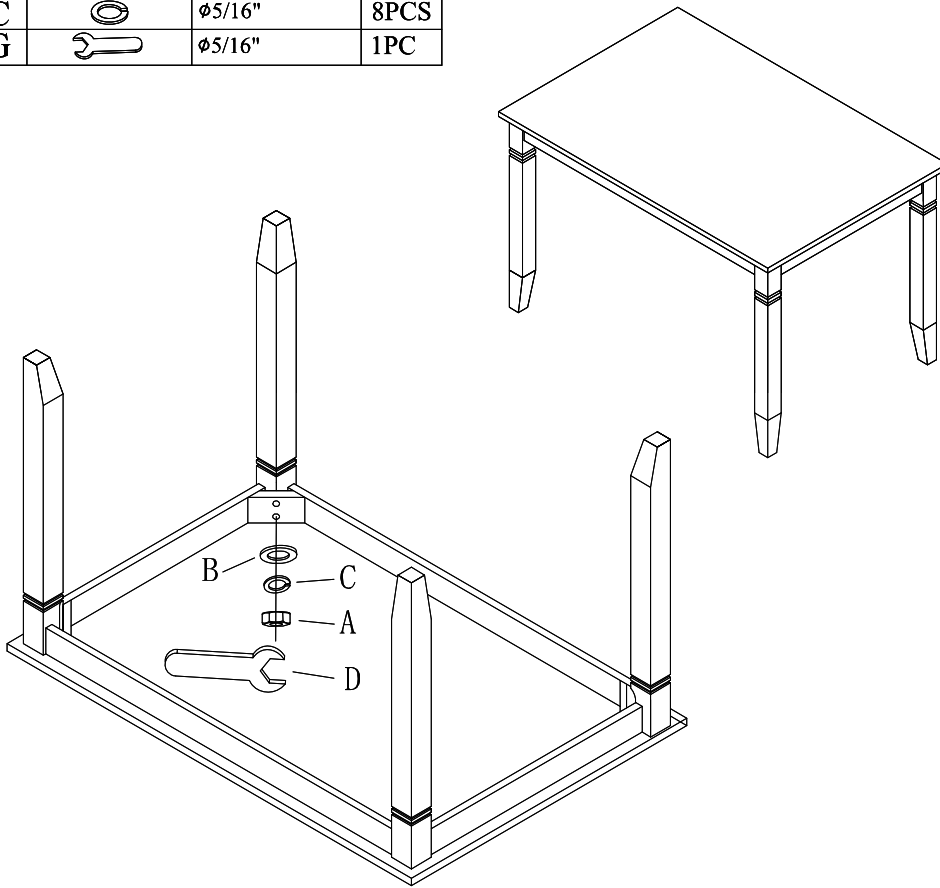


# ASSEMBLY INSTRUCTIONS

## HARDWARE LIST

NO	Description	Qty
A	 $\phi 5/16"$ (13x8mm)	8PCS
B	 $\phi 5/16"$ *18	8PCS
C	 $\phi 5/16"$	8PCS
G	 $\phi 5/16"$	1PC



HARDWARE PACKED ATTACHED UNDERSIDE OF THE TABLE

### IMPORTANT

FOR SERVICE PURPOSE, PLEASE DO NOT REMOVE THE CUSTOMER SERVICE CODE LABEL ON THE MERCHANDISE. IT IS ON THE UNDERSIDE OF THE TABLE.