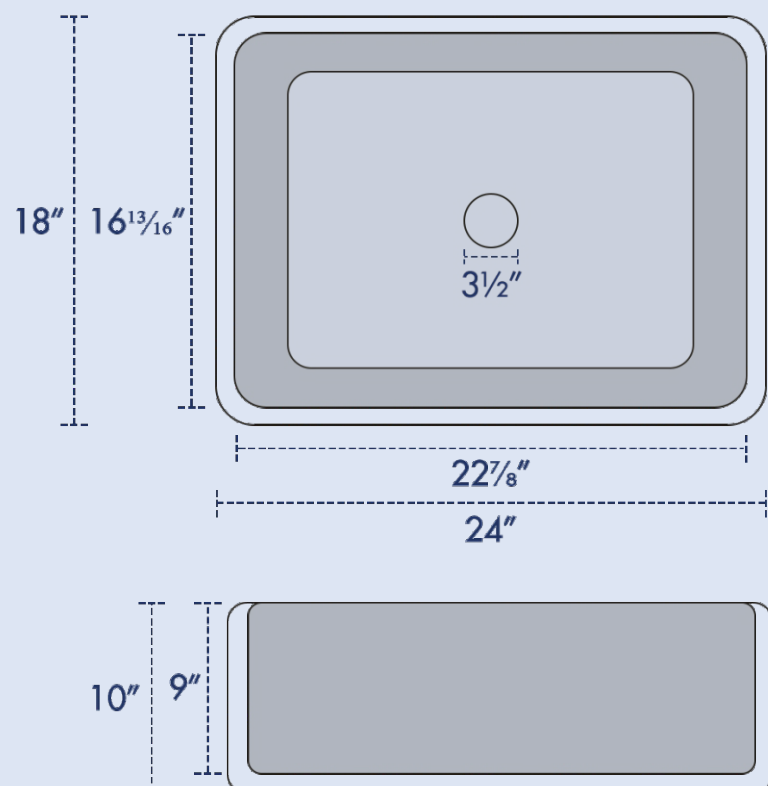




SPECIFICATIONS

- Dimensions: 24"L x 18"W x 10"H
- Inner dim: 22⁷/₈"W x 16¹³/₁₆"D x 9"H
- Net weight: 66.1 lbs



FEATURES

- Solid ceramic construction
- Modern farmhouse style
- Reversible apron front
- Easy-to-clean, rounded corners
- Thoughtful ergonomic apron front
- Bottom grid and strainer included

INSTALLATION

- Farmhouse, apron-front

PARTS INCLUDED

- Sink: ERI-FS-112
- Basket Strainer: ERI-KD01
- Bottom Grid

COLORS & FINISHES

-  White