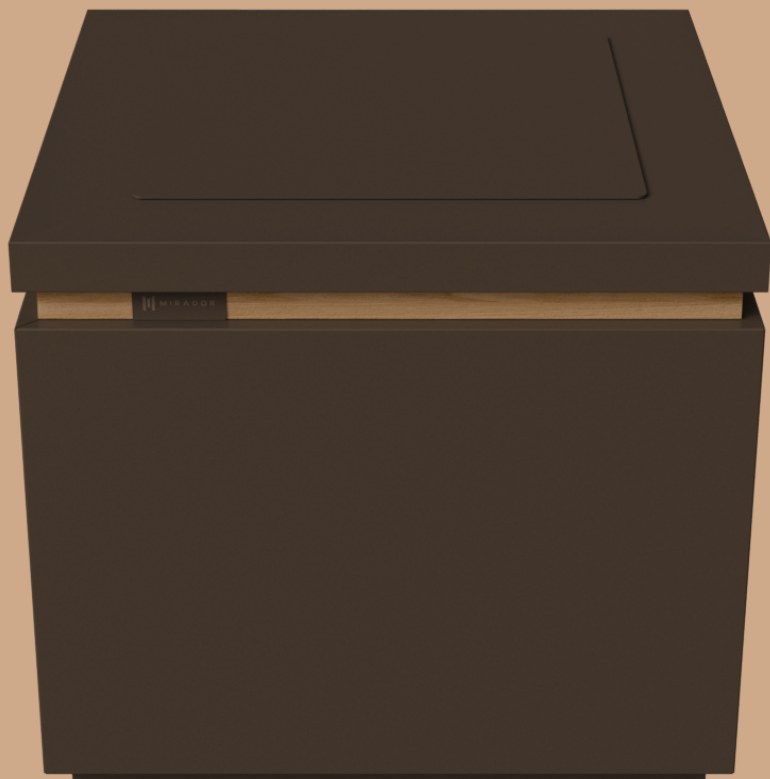


FIRE PIT

INSTRUCTION MANUAL



⚠ DANGER - FIRE OR EXPLOSION HAZARD

If you smell gas:

- Shut off gas to the appliance.
- Extinguish any open flame.
- If odor continues, leave the area immediately.
- After leaving the area, call your gas supplier or fire department.

Failure to follow these instructions could result in fire or explosion, which could cause property damage, personal injury, or death.

⚠ WARNING: For Outdoor Use Only

Installation and service must be performed by a qualified installer, service agency, or the gas supplier. Do not use or store cylinder in a building, garage or enclosed area.

⚠ DANGER - FLAMMABLE GAS UNDER PRESSURE:

Leaking LP-Gas may cause a fire or explosion if ignited causing serious bodily injury or death. Contact LP gas supplier for repairs, or disposable of this cylinder or unused LP-gas.

⚠ WARNING:

- Do not store or use gasoline, or other flammable vapors and liquids, in the vicinity of this or any other appliance.
- An LP-cylinder not connected for use shall not be stored in the vicinity of this or any other appliance.

⚠ DANGER / CARBON MONOXIDE HAZARD:

- This appliance can produce carbon monoxide which has no odor. Using it in an enclosed space can kill you.
- Never use this appliance in an enclosed space such as a camper, tent, car or home.

INSTALLER:

Leave this manual with the appliance.

CONSUMER:

Retain this manual for future reference.

⚠ WARNING:

If the information in this manual is not followed exactly, a fire or explosion may result causing property damage, personal injury, or loss of life.

⚠ DANGER



CARBON MONOXIDE HAZARD

This appliance can produce carbon monoxide which has no odor. Using it in an enclosed space can kill you.

Never use this appliance in an enclosed space such as a camper, tent, car or home.

⚠ DANGER • FLAMMABLE GAS UNDER PRESSURE.

**LEAKING LP-GAS MAY CAUSE A FIRE OR EXPLOSION IF IGNITED CAUSING SERIOUS BODILY INJURY OR DEATH.
CONTACT LP GAS SUPPLIER FOR REPAIRS, OR DISPOSAL OF THIS CYLINDER OR UNUSED LP-GAS.**

⚠ DANGER • FOR OUTDOOR USE ONLY.*

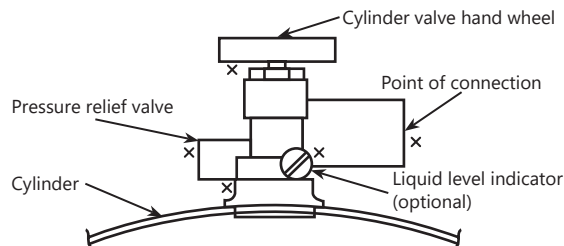
**DO NOT USE OR STORE CYLINDER IN A BUILDING,
GARAGE OR ENCLOSED AREA.**

⚠ WARNING:

- Know the odor of LP-gas. If you hear, see or smell leaking LP-gas, immediately get everyone away from the cylinder and call the Fire Department. Do not attempt repairs.
- Caution your LP-gas supplier to:
Be certain cylinder is purged of trapped air prior to first filling.
Be certain not to over fill the cylinder.
Be certain cylinder requalification date is checked.
- LP-gas is heavier than air and may settle in low places while dissipating.
- Contact with the liquid contents of cylinder will cause freeze burns to the skin.
- Do not allow children to tamper or play with cylinder.
- When not connected for use, keep cylinder valve turned off. Self contained appliances shall be limited to a cylinder of 30 lb capacity or less.
- Do not use,store or transport cylinder where it would be exposed to high temperatures. Relief valve may open allowing a large amount of flammable gas to escape.
- When transporting, keep cylinder secured in an upright position with cylinder valve turned off.

WHEN CONNECTING FOR USE:

- Use only in compliance with applicable codes.
- Read and follow manufacturer's instructions.
- Consult manufacturer's instructions concerning the cylinder connection provided with your appliance.
- Be sure regulator vent is not pointing up.
- Turn off all valves on the appliance.
- Do not check for gas leaks with a match or open flame. Apply soapy water at areas marked "X". Open cylinder valve. If bubble appears,close valve and have LP-gas service person make needed repairs. Also,check appliance valves and connections to make sure they do not leak before lighting appliance.
- Light appliance(s) following manufacturer's instructions.
- When appliance is not in use, keep the cylinder valve closed.



DO NOT REMOVE, DEFACE, OR OBLITERATE THIS LABEL

***EXCEPT AS AUTHORIZED BY ANS!/NFPA 58.**

- ⚠ DANGER.** Do not store a spare LP cylinder under or near a barbecue grill, or other heat sources.
NEVER fill an LP cylinder beyond 80% full: a fire causing death or serious injury may occur.



THANK YOU FOR PURCHASING OUR MIRADOR FIRE PIT!



This manual will provide you with clear and detailed instructions on how to safely and correctly assemble and maintain your product, to ensure it brings you many years of use and enjoyment.

IMPORTANT, RETAIN FOR FUTURE REFERENCE: READ CAREFULLY

Warning: Important safety instructions. It is important for the safety of persons to follow these instructions. Please keep these instructions in a safe place.

Any use or modification to the product not included in this manual shall be considered as improper use, which may cause considerable danger to users and property and will void the product warranty.

Please only use this product for its intended purpose within a residential environment. Failure to do so will void your warranty.

We reserve the right to make changes for product improvements.

For parts and customer service, please call +1 (877)-506-4777 in the U.S. and Canada (English and Spanish) Monday - Friday: 6:30 am - 4:30 pm, Saturday – Sunday: 8:30 am – 4:30 pm, Pacific Time. For other regions, email: support@miradoroutdoor.com

Digital instruction manual is also available on our official website **www.miradoroutdoor.com** for your reference.

TABLE OF CONTENTS

06 Important Safety Advice

07 Fire Pit Instruction

16 Enjoy Your Furniture

18 Care & Maintenance

19 Warranty & Complaints Procedure

IMPORTANT SAFETY ADVICE

For the safety of all persons using the product, it is important to follow the safety guidelines below.

Preparation



Prepare, assemble, and use only on a flat, level surface.



Recycle packaging and dispose of plastic bags safely, out of children's reach.



Wear work shoes, gloves, and eye protection where appropriate.



Keep children and pets away from the work area - small parts, tools, and packaging can pose choking or injury risks.

During Usage



Never place the furniture cover or burner cover on a hot fire pit.



Do not exceed the weight limit (Fire pit: 165 lbs / 74.8 kg).



Do not stand on the product, tilt it, or use it in any unsafe manner.



Do not drag the product while cleaning or moving to avoid scratches.

FIRE PIT INSTRUCTION

CERTIFICATION INFORMATION:



IF YOU CANNOT READ OR UNDERSTAND THESE INSTALLATION INSTRUCTIONS, DO NOT ATTEMPT TO INSTALL OR OPERATE THIS APPLIANCE.

⚠ DANGER:

- This appliance can produce carbon monoxide which has no odor. Using it in an enclosed space can kill you. NEVER use this appliance in an enclosed space such as a camper, tent, car or home.

⚠ WARNING:

- **Children and adults should be alerted to hazards of high surface temperatures and should stay away to avoid burns or clothing ignition.**
- **Young children should be carefully supervised when they are in the area of the appliance.**
- **Clothing or flammable materials should not be hung from the appliance, or placed on or near the appliance.**
- **Any guard or other protective device removed for servicing the appliance must be replaced prior to operating the appliance.**
- Please retain this manual for future reference.
- If the information in these instructions is not followed exactly, a fire or explosion may result causing property damage, personal injury or death.
- For outdoor use only.
- DO NOT use this fire pit for cooking.
- DO NOT burn any other materials than are supplied with and intended for use in this fire pit.
- DO NOT pour water into fire pit.
- DO NOT store a spare or disconnected liquid propane cylinder under or near this fire pit.
- After a period of storage, and/or non use, the propane fire pit should be checked for gas leaks and burner obstructions before use.
- An LP-cylinder not connected for use SHALL NOT be stored in the vicinity of this or any other appliance.
- DO NOT operate the propane fire pit if there is a gas leak present.
- NEVER use a flame to check for gas leaks.
- Combustible materials should NEVER be within 72" of the top, or within 48" of the sides and back of the propane fire pit.
- DO NOT put any other fire pit cover or anything flammable on, or beneath the fire pit.
- Should fire go out while burning, turn the gas valve off. Follow the instruction and wait five minutes before attempting to relight.
- NEVER lean over the open fire pit or place hands or fingers on the upper portion of an operational unit.
- Keep ventilation openings in cylinder enclosure free and clear of debris.

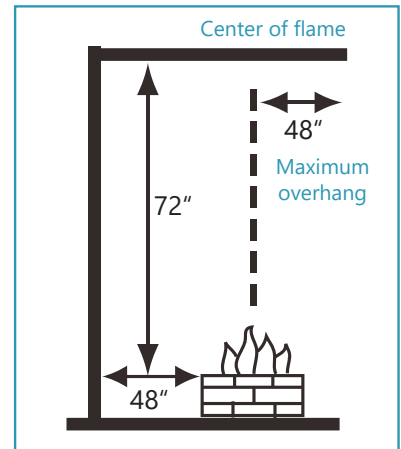
- DO NOT rest feet on the fire pit.
- Please take out the battery when not using the fire pit for an extended length of time.
- DO NOT enlarge valve orifices or burner ports when cleaning the valve or burner.
- Cylinder supply system MUST be arranged for vapor withdrawal.
- LP Tank used MUST include a collar to protect the cylinder valve.
- DO NOT use this fire pit on vehicles or boats. Always operate the appliance on flat ground outdoors.
- Keep any electrical supply cord and the fuel supply hose away from any heated surfaces.
- DO NOT use this fire pit unless all parts are in place.
- Inspect the hose before each use of the appliance.
- The hose assembly MUST be replaced prior to the appliance being put into operation if there is evidence of excessive abrasion or wear or if the hose is damaged.
- Locating the hose out of pathways where people may trip over it or in areas where the hose may be subject to accidental damage.
- The burner MUST be replaced prior to the appliance being put into operation if it is evident that the burner is damaged.
- The conversion or attempted use of natural gas in a liquid propane unit or liquid propane gas in a natural gas unit is dangerous.
- Inspect the fuel supply connection before each use of the appliance.
- Temporary storage of this appliance indoors is permissible only if it has been disconnected from its fuel supply.

1. Specifications

Input Rate (Btu/hr):	
Model No.	LP BTU
Ulc-PZ18-C-E	55,000

GAS	LP
Rated pressure	11.0"WC

Max.gas supply 13 in. w.c.for input 3230 kPa



Clearance to combustibles

2. Installation safety guidelines

- The installation of this product must conform with local codes.
- **Installation and repair should be done by a qualified service person. The appliance should be inspected before use and at least annually by a qualified service person. More frequent cleaning maybe required as necessary.**
- Carefully inspect for shipping damage. If any parts are damaged cal the dealer.
- Correct installation and proper placement of the UNIT and decorative media is crucial to the safe performance of the UNIT. Read the installation, operating and maintenance instructions thoroughly before installing or servicing this equipment.

3. Safe use & maintenance of propane gas bottles

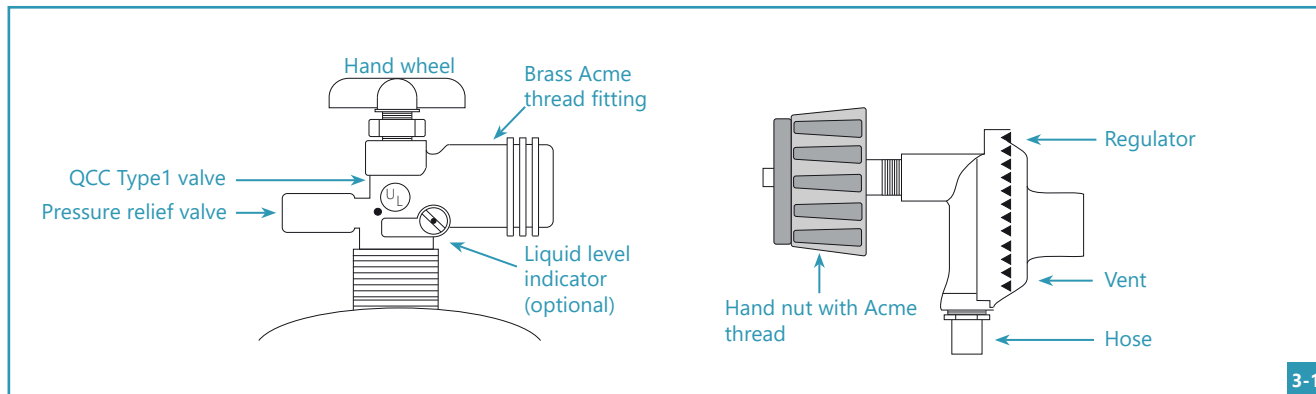
IMPORTANT FOR YOUR SAFETY

READ AND FOLLOW ALL WARNINGS PROVIDED WITH THE PROPANE-GAS CYLINDER.

WHEN OPERATING THIS APPLIANCE WITH A PROPANE-GAS CYLINDER, THESE INSTRUCTIONS AND WARNINGS MUST BE OBSERVED. FAILURE TO DO SO MAY RESULT IN A SERIOUS FIRE OR EXPLOSION.

CYLINDER/CONNECTOR REQUIREMENTS

- Propane-gas cylinders, valves, and hoses must be maintained in good condition and must be replaced if there is visible damage to either the cylinder or valve. If the hose is cut or shows excessive abrasion or wear, it must be replaced before using the gas appliance (see e.).
- This unit, when used with a cylinder, should be connected to a standard 5-gallon (20 lb.) propane-gas cylinder equipped with an OPD (Overfill Prevention Device).The OPD has been required on all cylinders sold since October 1, 1998, to prevent overfilling.
- Cylinder dimensions should be approximately 12" (30.5 cm) in diameter and 18" (45.7 cm) high. Cylinders must be constructed and marked in accordance with the Specifications for Propane Gas Cylinders of the U.S. Department of Transportation (D.O.T.) or the National Standard of Canada, CAN/CSA-B339, Cylinders, Spheres, and Tubes for Transportation of Dangerous Goods.
- The cylinder used must include a collar to protect the cylinder valve, and the cylinder supply system must be arranged for vapor withdrawal.
- The pressure regulator and hose assembly (Fig. 3-1) supplied with this outdoor gas appliance must be used. Original and replacement pressure regulator and hose assemblies must be those specified by the manufacturer for connection with a cylinder connecting device identified as Type I.
- The propane-gas cylinder valve must be equipped with a cylinder connection coupling device, described as Type I in the standard defined in paragraph (e.) above. This device is commonly described as an Acme thread quick coupler.
- If the propane-gas cylinder comes with a dust plug, place the dust cap on the cylinder valve outlet whenever the cylinder is not in use.



Type I Acme thread quick coupler

3-1

QUICK COUPLER OPERATION

- To connect the regulator/hose assembly to the propane gas cylinder valve fitting: Press the hand nut on the regulator over the Acme thread fitting on the cylinder valve. Turn the hand nut clockwise to engage the threads and tighten until snug.

LEAK TEST

- Turn on the gas supply, ignite the burner, and test at all connections for leaks using a soapy water solution.
- If bubbles appear, a leak is present. Turn off the gas and tighten at all connections. Repeat until no leaks are present.
- If a leak persists, turn off the gas supply and contact the local gas company or dealer.

NEVER USE A FLAME TO CHECK FOR LEAKS.

FOR YOUR SAFETY

IMPORTANT:

- The use of pliers or a wrench should not be necessary. Only cylinders marked "propane" may be used.
- Before using the unit, and after each time the cylinder is removed and reattached, check the hose for wear (see a.) and check all connections for leaks. Turn off the unit valves and open the main cylinder valve, then check connections with soapy water. Repair any leaks before lighting the unit.
- Carefully inspect the hose assembly each time before the gas is turned on. A cracked or frayed hose should be replaced immediately.
- If the appliance is stored indoors, the cylinder must be disconnected and removed. Disconnected cylinders must be stored outdoors, out of the reach of children, with threaded valve plugs tightly installed, and must not be stored in a building, garage, or any other enclosed area.
- To disconnect : Turn the hand nut counterclockwise until detached (Fig. [B-1](#)).

CAUTION:

- Always turn the propane cylinder main valve off after each use, and before moving the unit and cylinder or disconnecting the coupling.
- This valve must remain closed and the cylinder disconnected while the appliance is not in use, even though the gas flow is stopped by a safety feature when the coupler is disconnected.

WARNING:

- DO NOT store a spare propane-gas cylinder under or near this appliance.
- NEVER fill the cylinder beyond 80-percent full.
- If the above information is not followed exactly, a fire causing death or serious injury may occur.
- Use LP propane gas tanks only with these required measurements: 12 in. (diameter) x 18 in. (tall) with 20 lb. capacity maximum.

4. Operating the fire pit

GERNERAL RULES

- Follow all gas leak procedures in this manual prior to operation.
- This appliance is only intended for operation in temperatures above 32°F.
- Users should be alerted to the hazards of high surface temperatures and keep a safe distance to avoid burning or clothing ignition.
- Every time before using use the unit, make sure that:
 - The area around the unit is clear and free from combustible materials, gasoline, and other flammable vapors and liquids.
 - There is no blockage of the airflow through the vent openings located on the bottom of the unit.
 - The hose is inspected (if applicable). See the **Safe use & maintenance of propane-gas cylinders** section.

WARNING:

- The propane fire pit should NEVER be used by children. Children must be supervised when they are anywhere near the appliance.
- DO NOT sit or place any part of the body, clothing or other flammable materials on or near the fire pit surround.
- HOT while in operation and following operation. Serious injury can occur!
- DO NOT throw matches, trash paper, garbage, or any other flammable materials onto the unit or into the flame.
- DO NOT leave in operation when unattended.
- DO NOT transit it while in operation.
- DO NOT operate this unit in the rain.
- Charcoal or any other solid fuel must not be burned in the fire pit.
- DO NOT continue using if you smell unusual odors or have headaches nausea or dizziness.
- DO NOT store or use gasoline ,combustible materials, or any other flammable vapors and liquids in the vicinity of this unit. Provide adequate clearance for servicing and operation.
- DO NOT use the unit if any part of it has been under water. Immediately call a qualified professional service technician to inspect the set and to replace any part of the control system that has been underwater.
- When shutting the unit down. Be sure to turn the control valve fully off.

LIGHTING PREPARATION

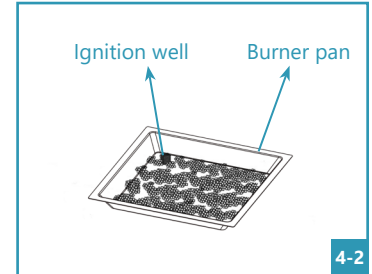
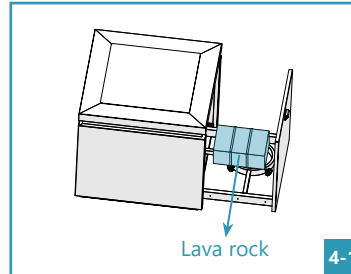
IF YOU DO NOT FOLLOW THESE INSTRUCTIONS EXACTLY, A FIRE OR EXPLOSION MAY RESULT, CAUSING PROPERTY DAMAGE, PERSONAL INJURY, OR LOSS OF LIFE.

1. Take the lava rock out of the package and pour into the burner pan. The burner must be completely covered to ensure the appliance functions properly and safely.

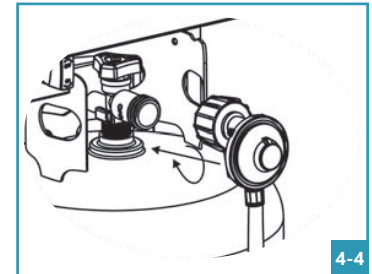
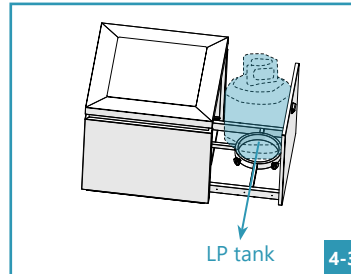
(Fig. 4-1 & 4-2)

⚠ WARNING:

- The ignition well must be clear and free of obstructions at all times to insure proper operation. DO NOT cover the ignition well with any lava rocks or other media.
- Children MUST be supervised to prevent them from swallowing the lava rock and choking.



2. Slide the tank drawer out and place the LP tank in the drawer (Fig. 4-3). Connect the regulator as shown in (Fig. 4-4). Turn the black handle clockwise to tighten. The hose must point down. Check that the valve is turned all the way clockwise to the "OFF" position.

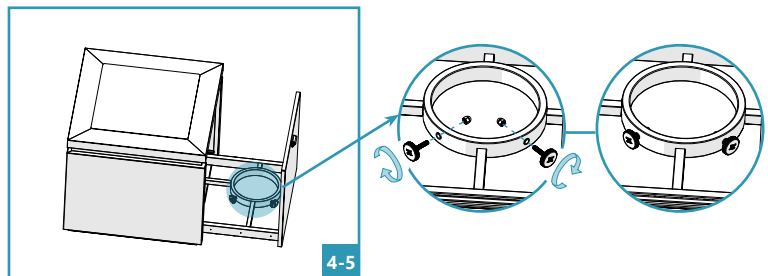


3. Open the tank valve. Smell all around the unit area for gas. Be sure to smell next to the floor, because some gas is heavier than air and will settle on the floor.

4. Apply a solution of soapy water to the tank-regulator connection and to the valve-hose connection to check for leaks. If soap bubbles continue to form, the connection has a leak. If a leak is found, close the tank valve and tighten all connections.

⚠ WARNING: DO NOT use a flame to check for leaks.

5. Tighten the threaded knobs found on the LP support frame so that the LP tank cannot move from side to side. DO NOT remove the plastic cap from the end of threaded section.



WHAT TO DO IF YOU SMELL GAS

1. Shut off the gas to the appliance.
2. Extinguish any open flame.
3. If odor continues, keep away from the appliance and immediately call your gas supplier or the fire department.

LIGHTING INSTRUCTIONS

Use only your hand to push in or turn the gas control knob. NEVER use tools.

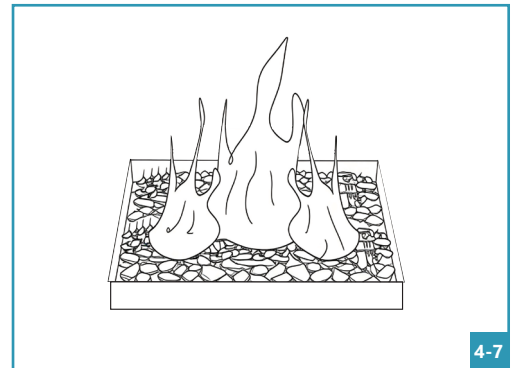
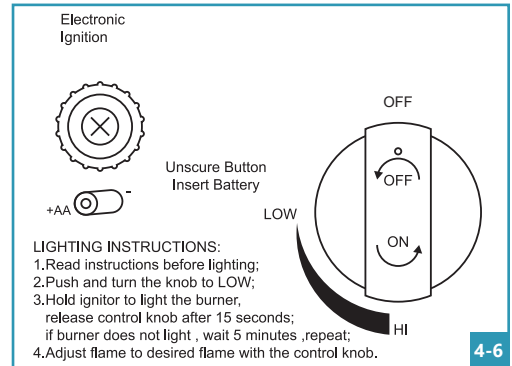
If the knob will not push in or turn by hand, DO NOT try to repair it. Call a qualified professional service technician. Force or attempted repair may result in fire or explosion.

1. STOP! Read the safety information above.
2. Push and slowly turn the control knob to the LOW position. (Fig. 4-6)
3. Hold ignitor to light the burner, release control knob after 15 seconds. (Fig. 4-6)
4. Observe the flame height when lit. Flame should be 3 to 13 inches high. (Fig. 4-7)
5. If the burner does not light before the match goes out, immediately turn the control knob to the OFF position.
6. Wait approximately five minutes to clear out any gas, and repeat steps 1-4 above.
7. If your burner fails to light again, turn the control knob to the OFF position and contact your dealer or gas supplier.
8. To extinguish your gas burner, turn the control knob to the OFF position. Be sure the control knob is turned fully off to avoid any gas leakage.

CAUTION: BURN HAZARD

Will remain hot for some time after use.

You must maintain the layout as shown to ensure proper operation of your fire pit. If you need to reposition any material to maintain the proper layout, use heat resistant gloves or allow material adequate time to cool before handling.



5. Maintenance

- Keep fire pit covered at all times when not in use.
- Keep any debris out of fire pit-clean as needed.
- Ring Cleaning: (1xYR) If flames exhibit any abnormal shapes or behavior, or if burner fails to ignite properly, then the burner holes may require cleaning. The appliance can be cleaned by carefully removing the logs and media to allow access to burner. Use a brush to carefully remove dust, spiderwebs, and loose particles from base, logs, and fire ring itself. If evidence of damage, fire ring must be replaced with fire ring specified by manufacturer.
- To clean the burner, use a soft brush after the burner has cooled completely. NEVER use a vacuum cleaner on the burner. It is recommended to store the fire pit indoors during winter if it will be subjected to freezing temperatures. The LP cylinder must be disconnected and removed from the appliance before the appliance can be stored indoors.
- Ignition Battery :For changing, simply unscrew cap, replace battery, and tighten cap.

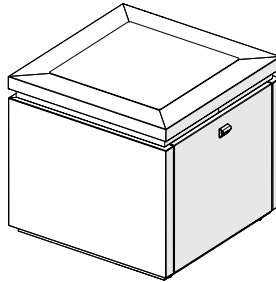
6. Troubleshooting

Below are some potential causes and countermeasures to the symptoms indicated in bold. Please contact your retailer or certified technician for service & repair.

Issue		Countermeasures
Will Not Light	Air in gas line	If new install, may take several attempts to purge air.
	Debris in gas line	Confirm gas line is clear (insulation, dirt, plastic, excessive pipe sealer, etc.).
	Gas pressure improper	Confirm proper gas pressure.
	Spark igniter needs adjusted	Spark igniter must be correctly aligned with burner holes.
	Low battery	Replace batteries.
	Wire is shorted	Re-route wire away from conductive materials.
Will Not Stay Lit	Gas pressure improper	Confirm proper gas pressure.
	Improperly applied media	Check lighting section.
Noise	Whistling sound	Change flex line routing.

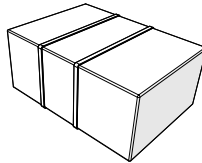
QTY	REF	NAME
-----	-----	------

C x1



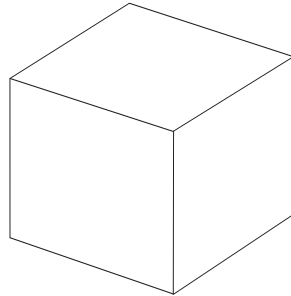
Fire pit

Y2 x1



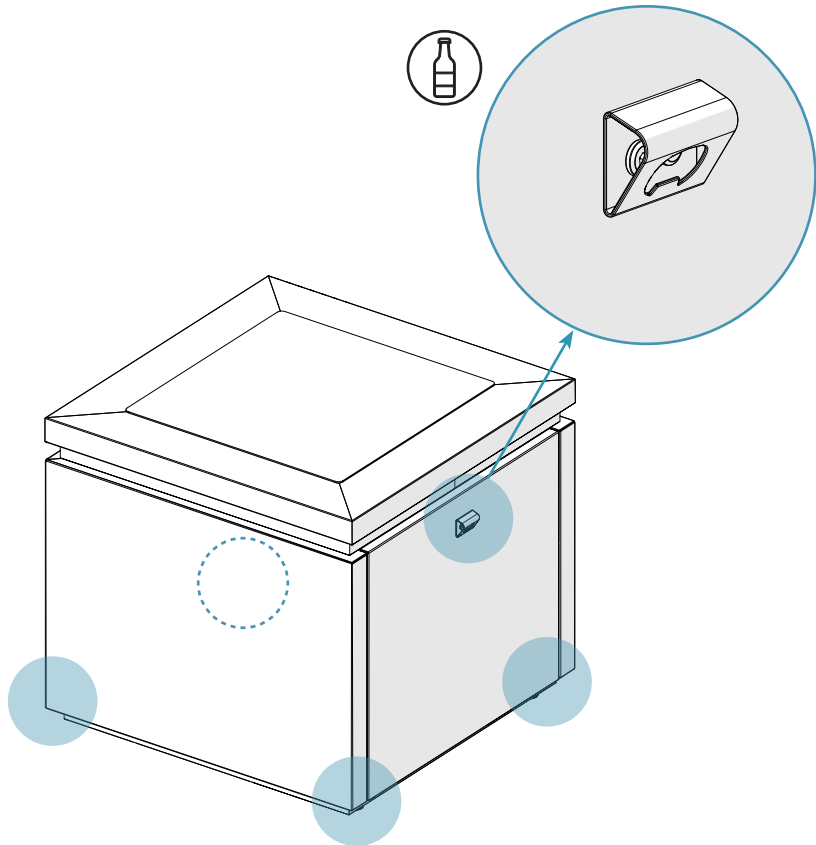
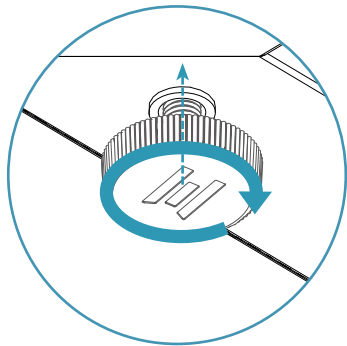
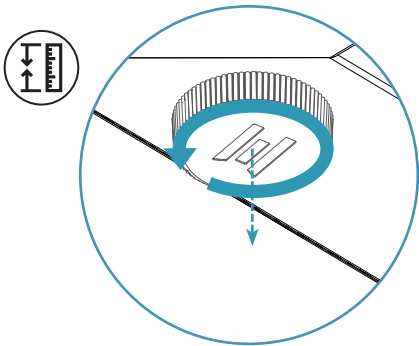
Lava rock

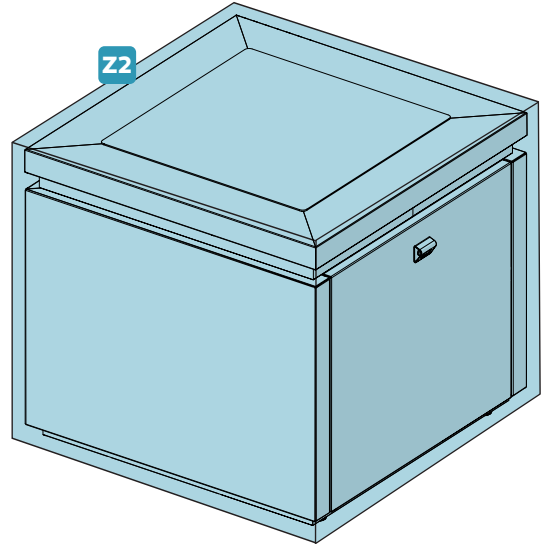
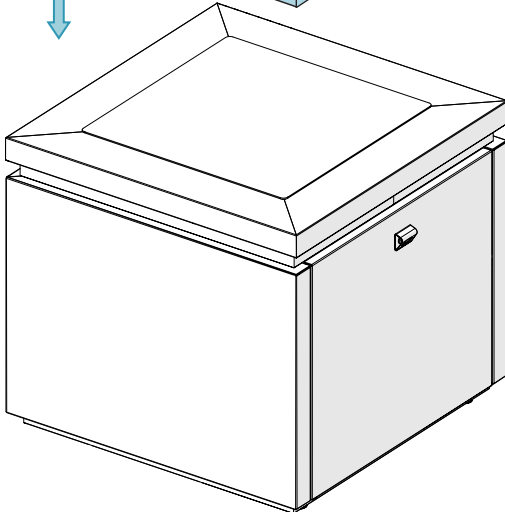
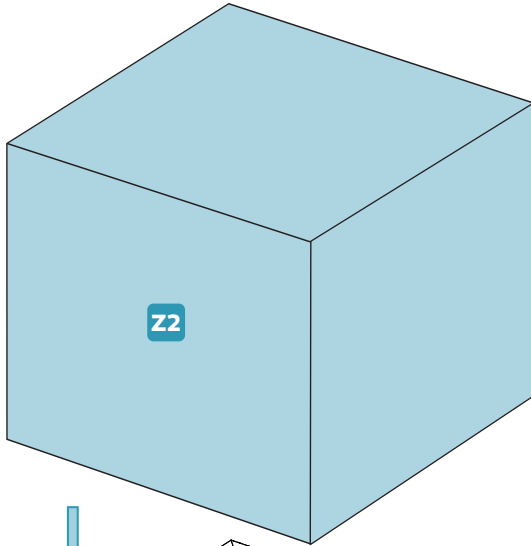
Z2 x1



Furniture cover

ENJOY YOUR FURNITURE





CARE & MAINTENANCE



FURNITURE COVER

- Use a furniture cover to protect your set from harsh weather and UV rays.
- Ensure both the furniture and cover are clean and dry before covering.
- Remove the cover promptly after rain or humid weather to prevent moisture buildup.



FRAME

- Use only manufacturer-approved replacement parts.
- Regularly check that all bolts and fittings are secure; Tighten if needed.
- Dust and dirt will collect on the frame and will require periodic cleaning.
- Wipe with water or a mild soap, and avoid using any alcohol-based cleaners.
- Keep frame free of accumulated water. Air dry or wipe with a soft clean cloth.

WARRANTY & COMPLAINTS PROCEDURE

For terms and conditions of our limited warranty, please visit www.miradoroutdoor.com or contact your local Mirador sales representative.

Complaints procedure:

- The complaint must include an order number or transaction number. Goods without an order number or transaction number are not covered under the warranty.
- The complaint must include a detailed description of the defect, the name of the company which assembled the product if 3rd party was used and the date when the defect was discovered.
- Customer must offer supplier the photos/videos of the issue/damaged parts. Otherwise, supplier reserves the right to refuse replacement parts or credit.
- Please save a copy of your purchase receipt.

Contact:

Phone

+1 (877)-506-4777

Operation hours: Monday - Friday: 6:30 am - 4:30 pm, Saturday – Sunday: 8:30 am – 4:30 pm, PST.

Language: English and Spanish

E-mail

support@miradoroutdoor.com

Operation hours: We are available 24 hours a day. Please allow up to 24 hours for a response.

Language: English, Spanish and Canadian French

Online

miradoroutdoor.com

Operation hours: Monday - Friday: 5:30 am - 2:00 pm, Saturday – Sunday: 8:30 am – 4:30 pm, PST.

Language: English, Spanish and Canadian French

Note: Our team is available to assist you during these hours. If you have any inquiries or require support outside of these hours, please leave a voicemail, send an email, or use our online contact form. We will get back to you promptly during the next available support hours. Thank you for choosing Mirador Outdoor!

more to
enjoy

FOLLOW US ON
WWW.MIRADOROUTDOOR.COM

 @miradoroutdoor  @MiradorOutdoor
 @miradoroutdoor  @miradoroutdoor

