




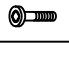
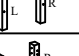
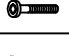


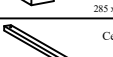
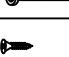

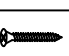
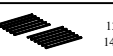





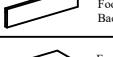
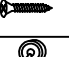
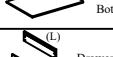


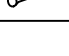




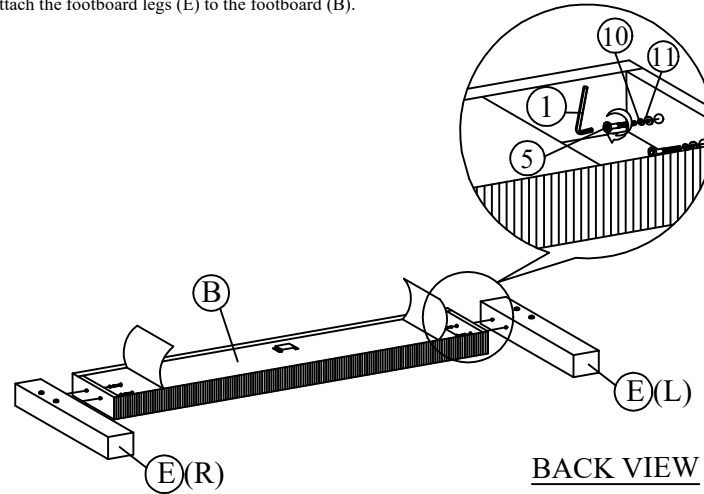


Model : F9658Q/F9659Q

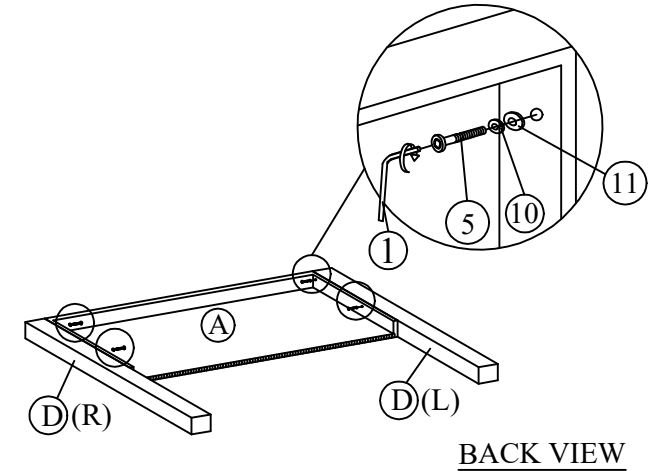
Assembly Instruction

PART LIST			HARDWARE		
A		Headboard 1pc	1		Allen Key 65mm 1pc
B		Footboard 1pc	2		Allen Key 70mm 1pc
C		Side Rail 4pcs	3		JCBB M8 x 20 8pcs
D		Headboard Legs 2pcs	4		JCBC M6 x 30 8pcs
E		Footboard Legs 2pcs	5		JCBC M6 x 50 8pcs
F		Side Rail Legs 2pcs	6		JCBC M6 x 60 3pcs
G		Center Rail 1pc	7		CSK Screw 16mm 16pcs
H		Center Rail 1pc	8		CSK Screw 32mm 36pcs
I		12 Slat 2pcs	9		CSK Screw 50mm 8pcs
J		Support Legs 3pcs	10		Spring Washers 8pcs
K		Footboard Front Panel 1pc	11		Flat Washers 16pcs
L		Footboard Back Panel 1pc	12		CSK Screw 25mm 1pc
M		Footboard Bottom Panel 1pc	13		Roller 4pcs
N		Drawer Side Panel 2pcs	14		Power Nail 6/8 24pcs
O		Bottom Panel Big Support Wood 2pcs			
P		Bottom Panel Small Support Wood 2pcs			

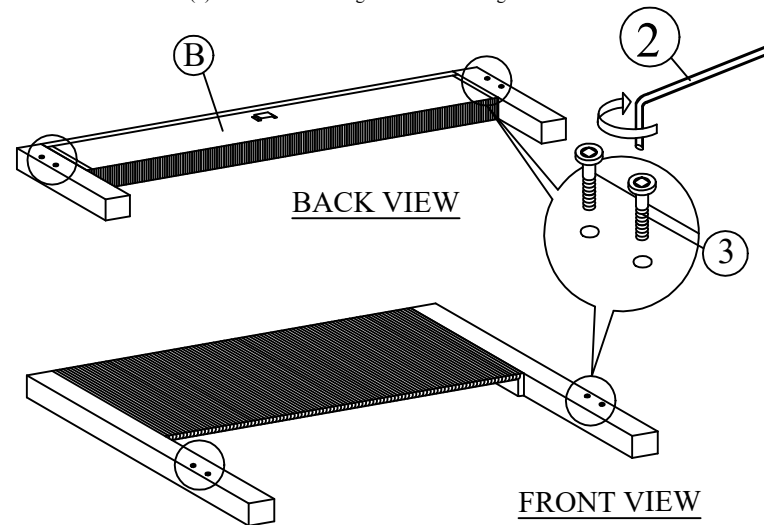
Step 1 : Attach the footboard legs (E) to the footboard (B).



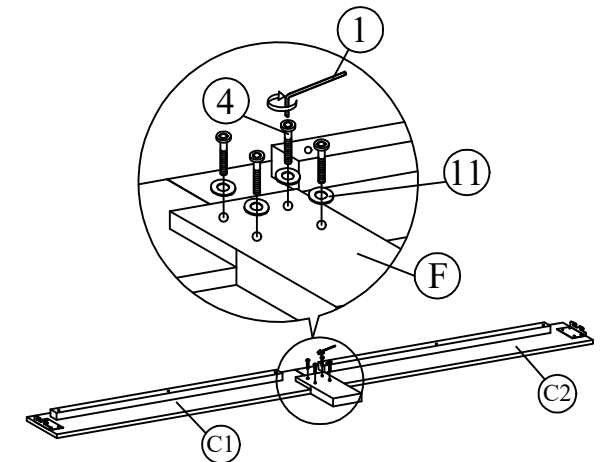
Step 2 : Attach the headboard legs (D) to the headboard (A).



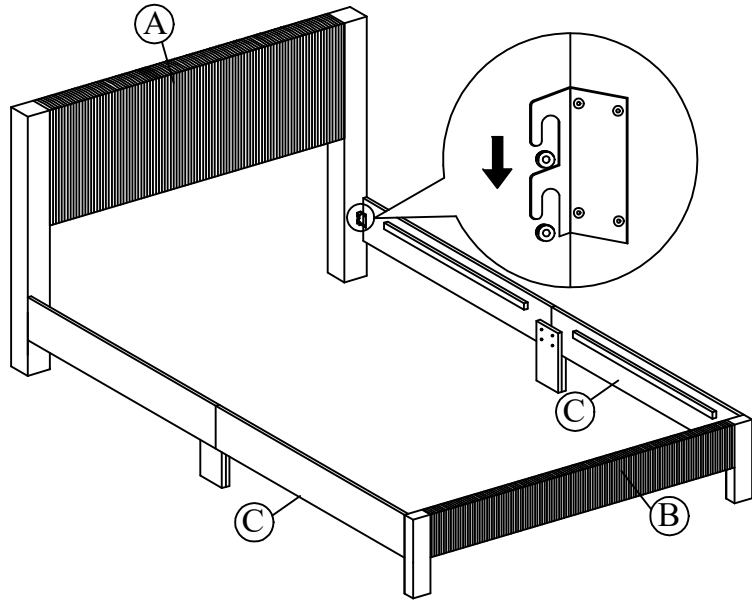
Step 3 : Attach the JCBB Bolt (3) to the headboard legs and footboard legs.



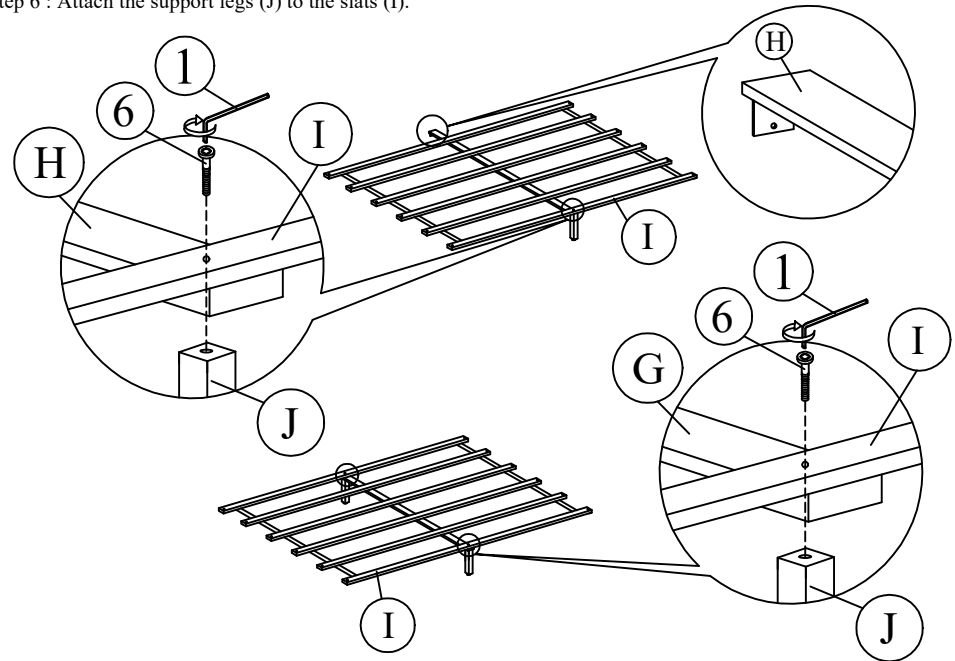
Step 4 : Attach the side rail leg (F) to the side rail (C).



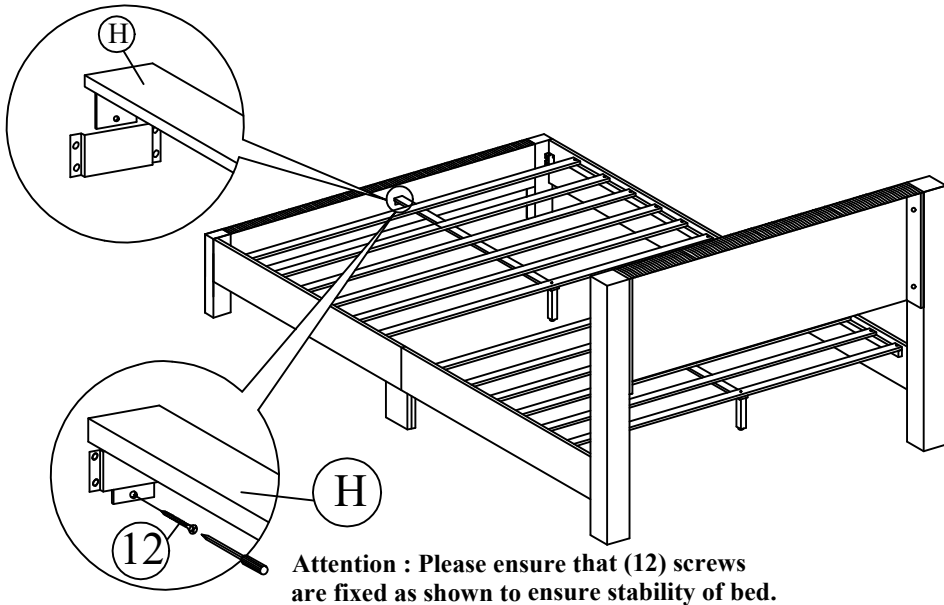
Step 5 : Attach side rail (C) to headboard (A) and footboard (B) by pushing the bracket down to fit it.



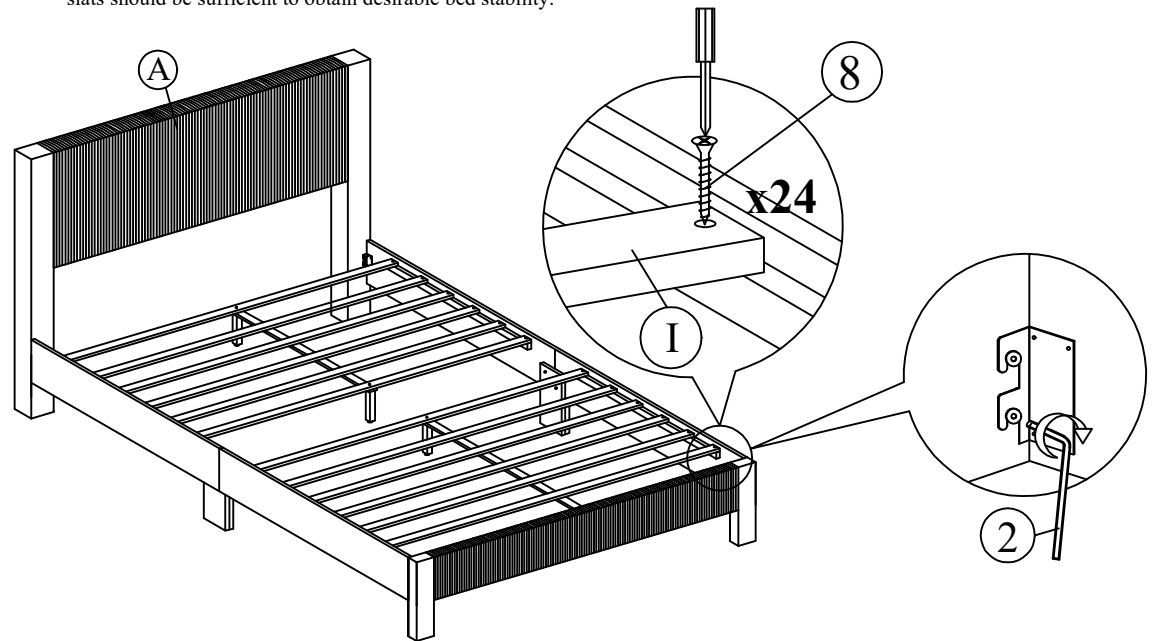
Step 6 : Attach the support legs (J) to the slats (I).



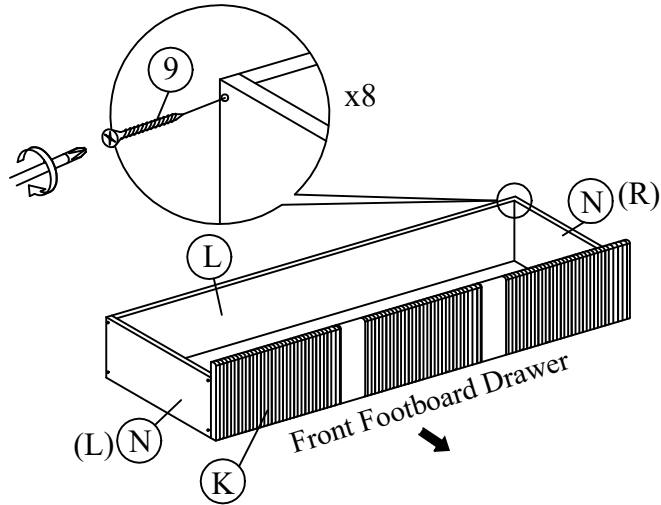
Step 7 : Slide the center rail (H) to the footboard (B). Tighten screws (12) using screw driver (not included) to the footboard (B).



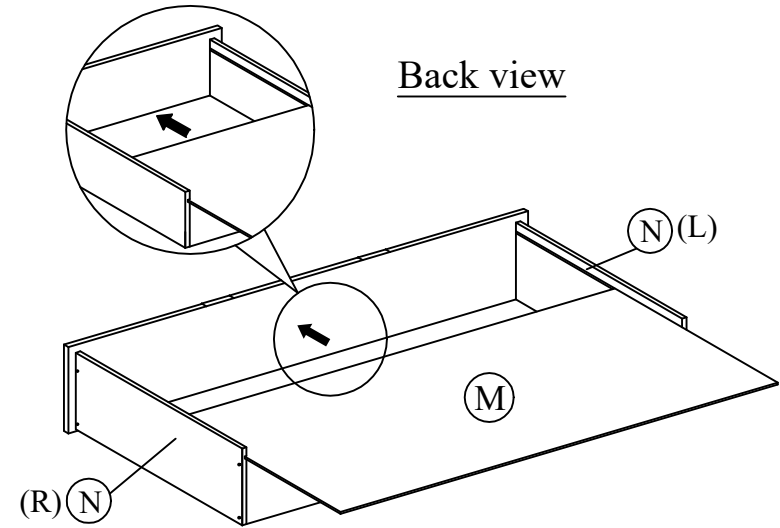
Step 8 : Tighten the 4 Corner with Allen Key (2). Install the bed slats to side rail. Tighten the slats with CSK screw. The distance of the slats should be sufficient to obtain desirable bed stability.



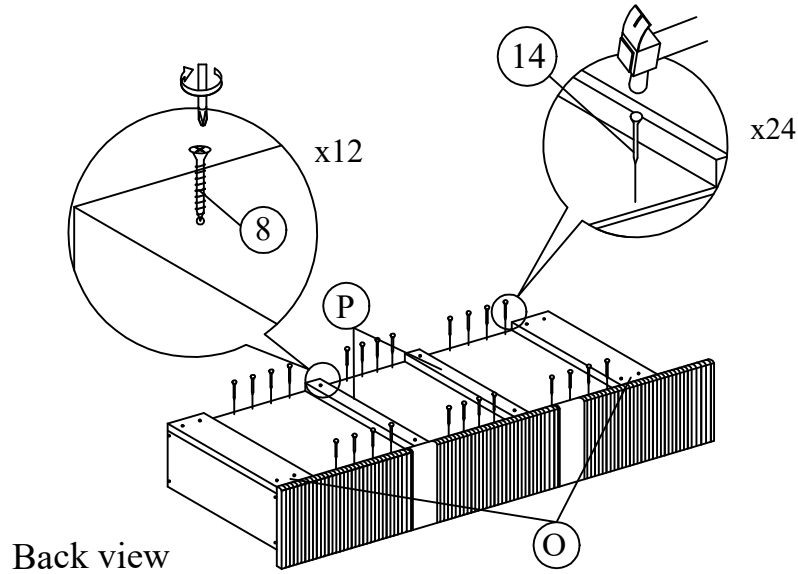
Step 9 : Attach the Drawer Side Panel(N) to the Front Footboard Panel (K) and Back Footboard Panel (L).



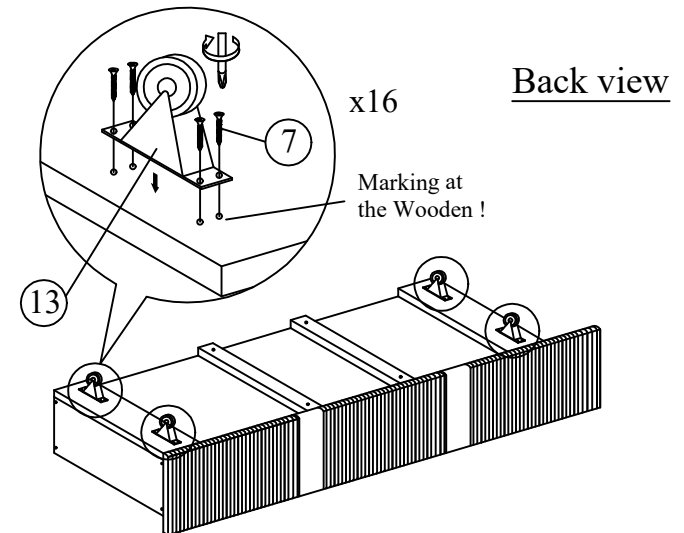
Step 10 : Attach the Footboard Bottom Panel(M) to the Drawer Side Panel (N).



Step 11 : Attach the Bottom Panel Big Support Wood(O) and Bottom Panel Small Support Wood (P) to the Footboard Bottom Panel (M) . Attach the bottom panel with Nail (14) using the hammer (not included)



Step 12 : Attach the Roller (13) to the Bottom Panel Big Support Wood (O).



Step 13 : Attach Drawer to Footboard (B).

