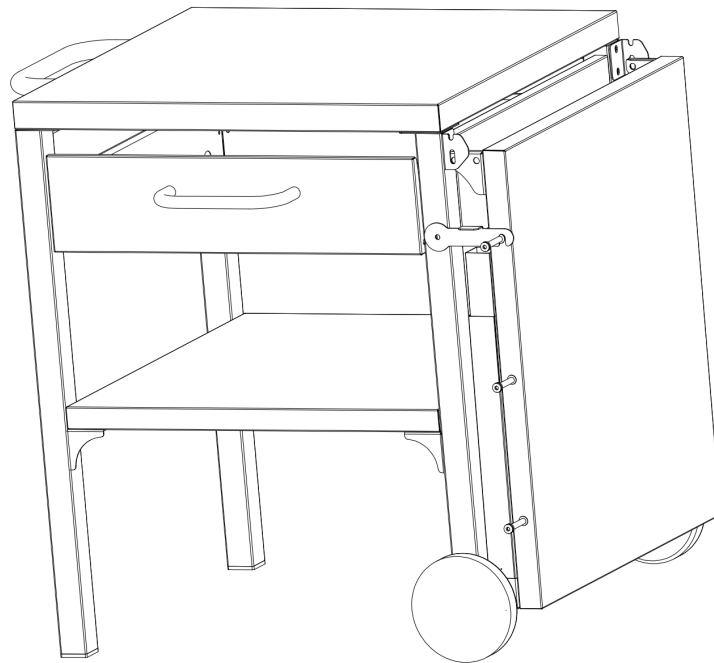


# ASSEMBLY INSTRUCTIONS

N719P407403B

N719P407403E

## Grill Cart












### ATTENTION

1. All the components are packed in one box. Please refer to the component list to ensure that all the components are included.
2. Use caution when unpacking with a knife to avoid accidentally scratching the product's surface.
3. We greatly value your experience. If you encounter any issues—whether related to delivery, assembly, usage, or post-purchase care—please contact us promptly. Our products come with a one-year warranty and customer service.
4. Please keep children away during installation. This product contains small parts that may pose a choking hazard if swallowed.

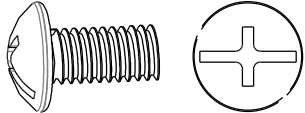
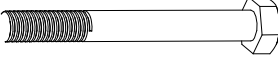
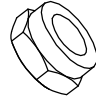
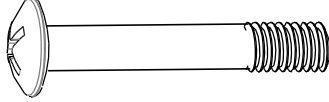
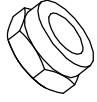
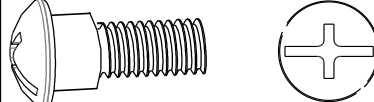

# Assembly Instructions

**Caution : You must read this before you proceed**

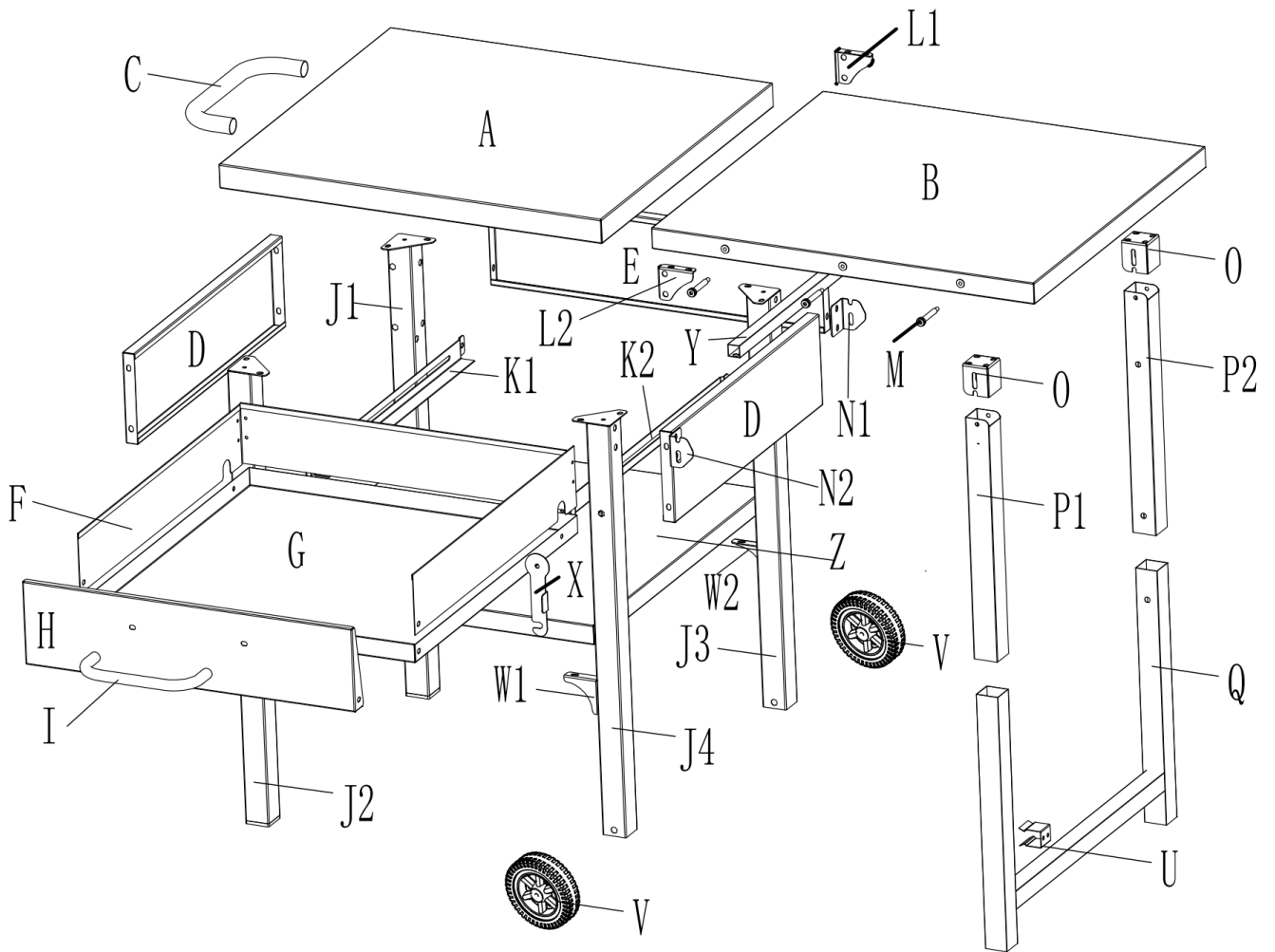
## Care & Maintenance

- ⊘  ● Not for commercial use. For residential use only.
- ⊘  ● Do not put hot items directly on furniture surface.
- ⊘  ● Do not clean furniture with harsh cleansers or polish.
- ✓  ● To obtain the longest lifespan of your outdoor products, minimizing exposure to direct sunlight is recommended.
- ⊘  ● Children should not climb or jump on the furniture.
- ⊘  ● Do not write on furniture without a padded barrier to protect the surface.
- ✓  ● To obtain the longest lifespan of your outdoor products, avoid extended and lengthy exposure to rain, snow, and direct sunshine. Whenever possible cover the product and /or place under patio or awnings.
- ⊘  ● Stains may be removed with mild soap solution and damp cloth.
- ✓  ● Dust and pick-up spills using a clean, non-colored, lint-free cloth.

# Hardware

| Item no. | Reference Image   | Qty.   | Item no. | Reference Image | Qty. |
|----------|---|--------|----------|-----------------|------|
| AA       |  <p style="text-align: center;">M6 × 12</p>      | 56 pcs |          |                 |      |
| BB       |  <p style="text-align: center;">M8x85</p>        | 2 pcs  |          |                 |      |
| CC       |  <p style="text-align: center;">M8</p>           | 2 pcs  |          |                 |      |
| DD       |  <p style="text-align: center;">M6 × 55</p>      | 2 pcs  |          |                 |      |
| EE       |  <p style="text-align: center;">M6</p>           | 2 pcs  |          |                 |      |
| FF       |  <p style="text-align: center;">M6x15 Bolt</p> | 9 pcs  |          |                 |      |
| GG       |  <p style="text-align: center;">M6</p>         | 2 pcs  |          |                 |      |
|          |   |        |          |                 |      |

# Assembly Guide

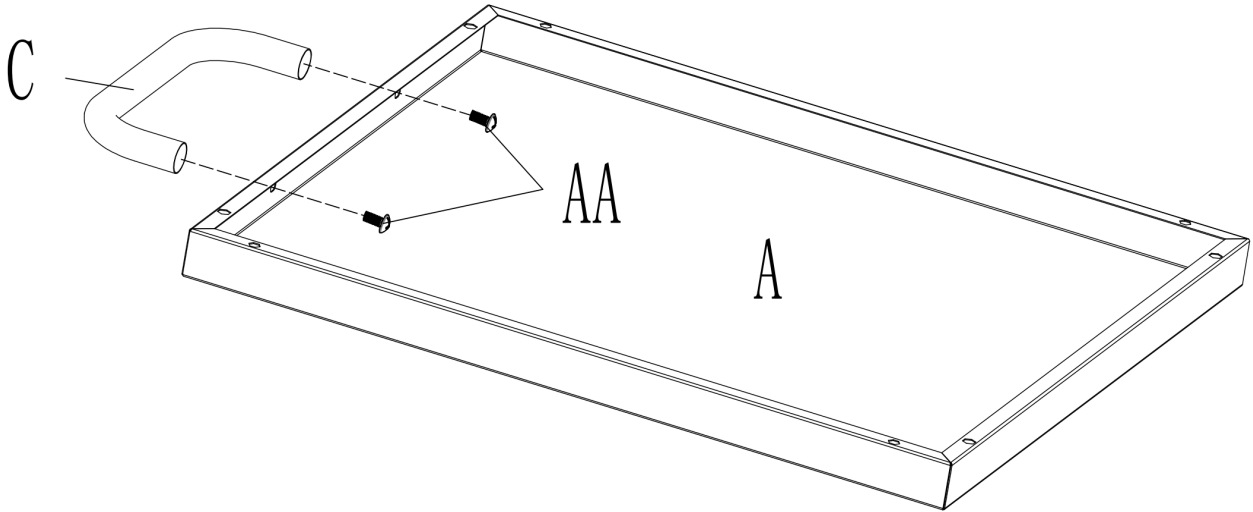


# Assembly Guide

## Step 1



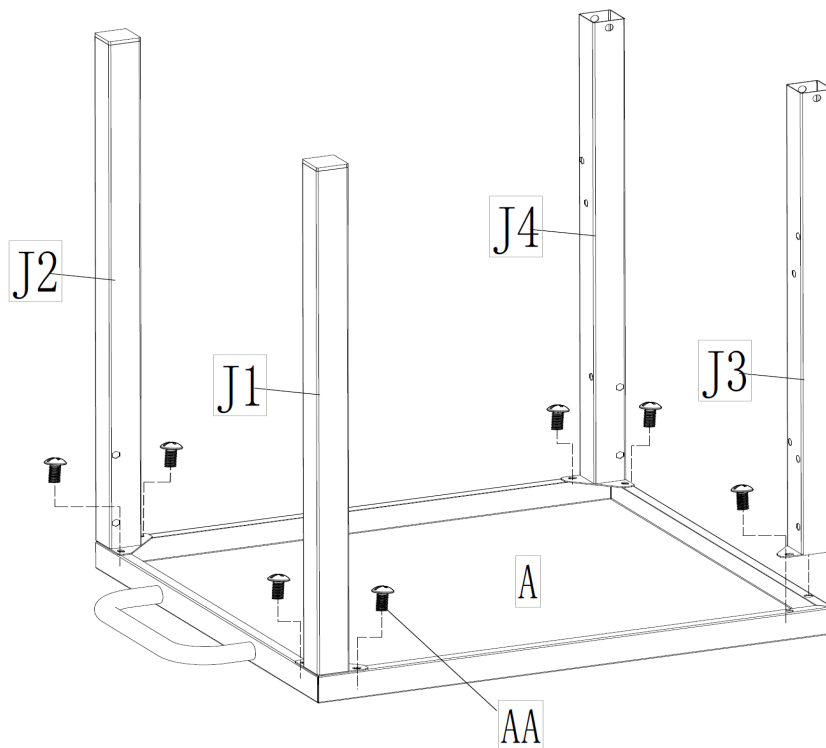
AA × 2



## Step 2

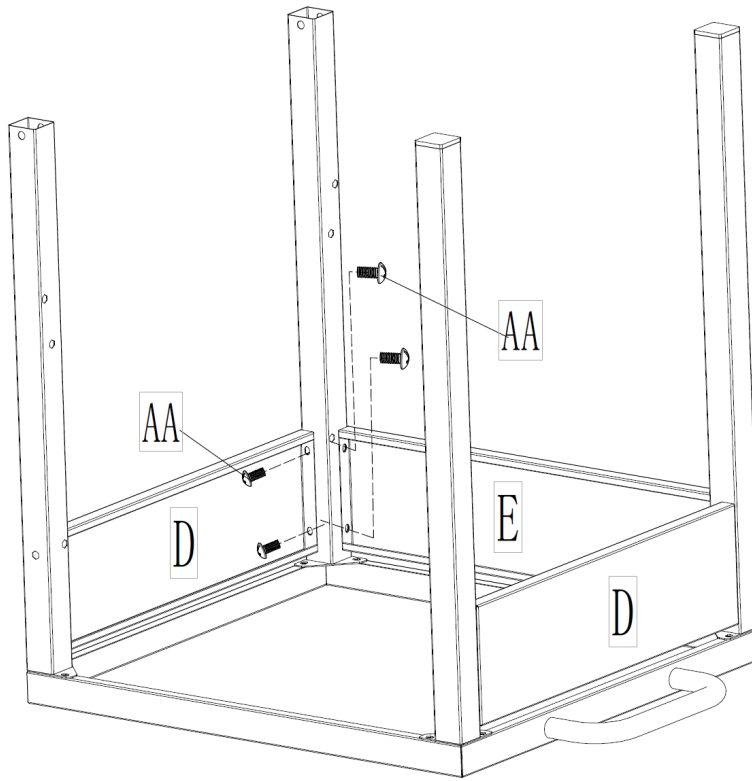





AA × 8



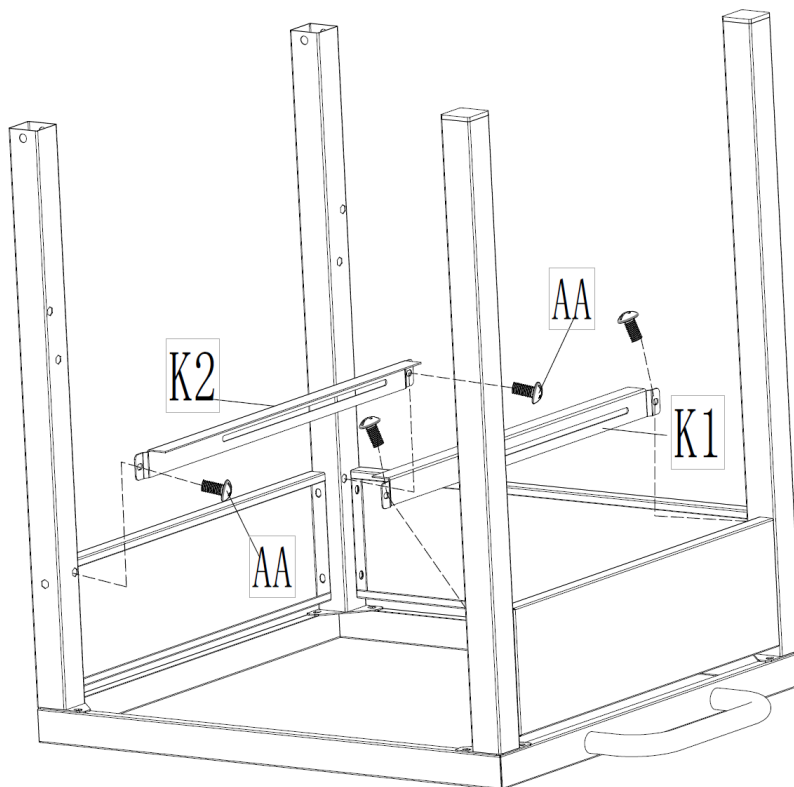
# Assembly Guide

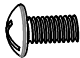


## Step 3



|   |    |     |
|---|----|-----|
|  | AA | ×12 |
|  | D  | ×2  |
|  | E  | ×1  |

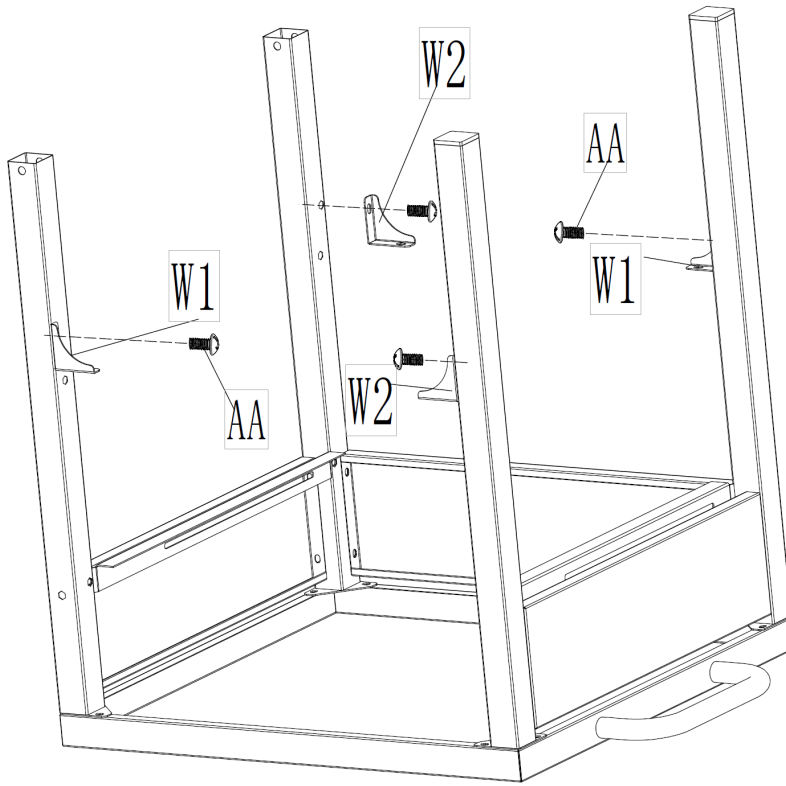
## Step 4

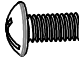




|   |    |    |
|---|----|----|
|  | AA | ×4 |
|  | K1 | ×1 |
|  | K2 | ×1 |

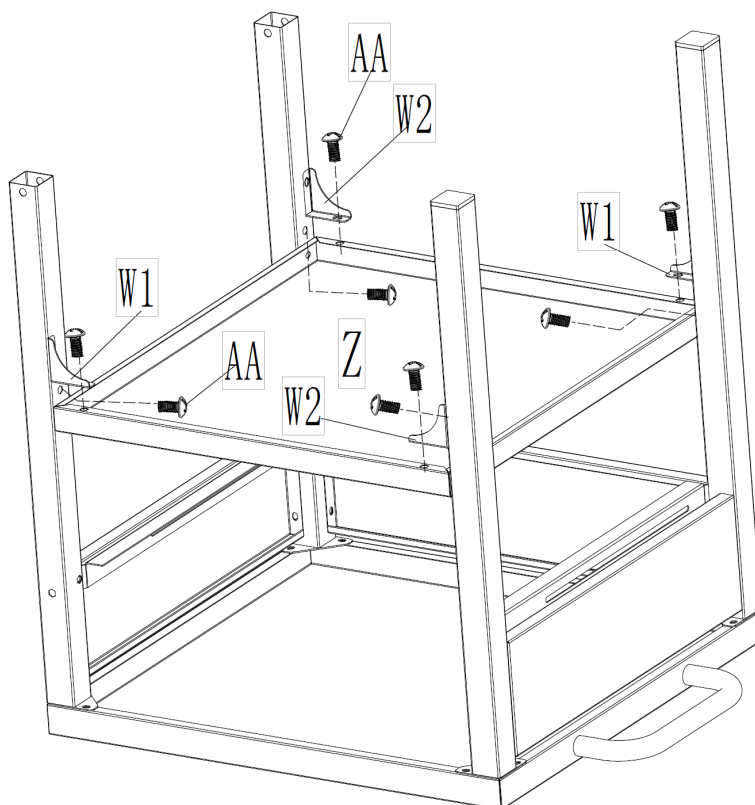
# Assembly Guide

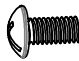
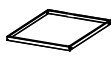
## Step 5



|   |    |    |
|---|----|----|
|  | AA | ×4 |
|  | W1 | ×2 |
|  | W2 | ×2 |

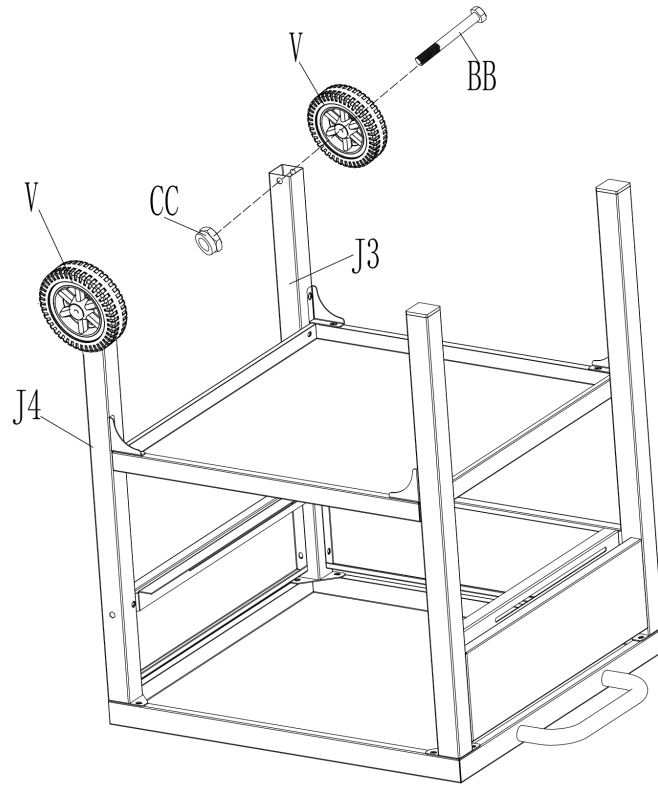
## Step 6

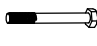




|   |    |    |
|---|----|----|
|  | AA | ×8 |
|  | Z  | ×1 |

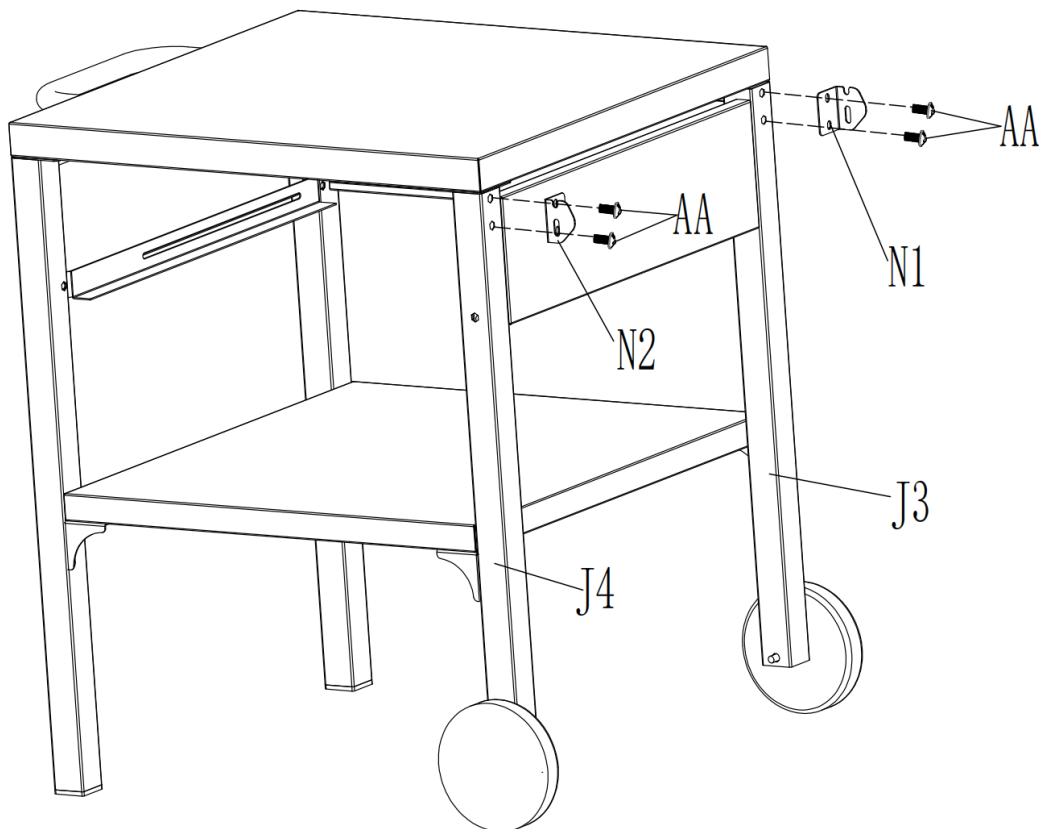
# Assembly Guide




## Step 7



|   |    |    |
|---|----|----|
|  | BB | ×2 |
|  | CC | ×2 |
|  | V  | ×2 |

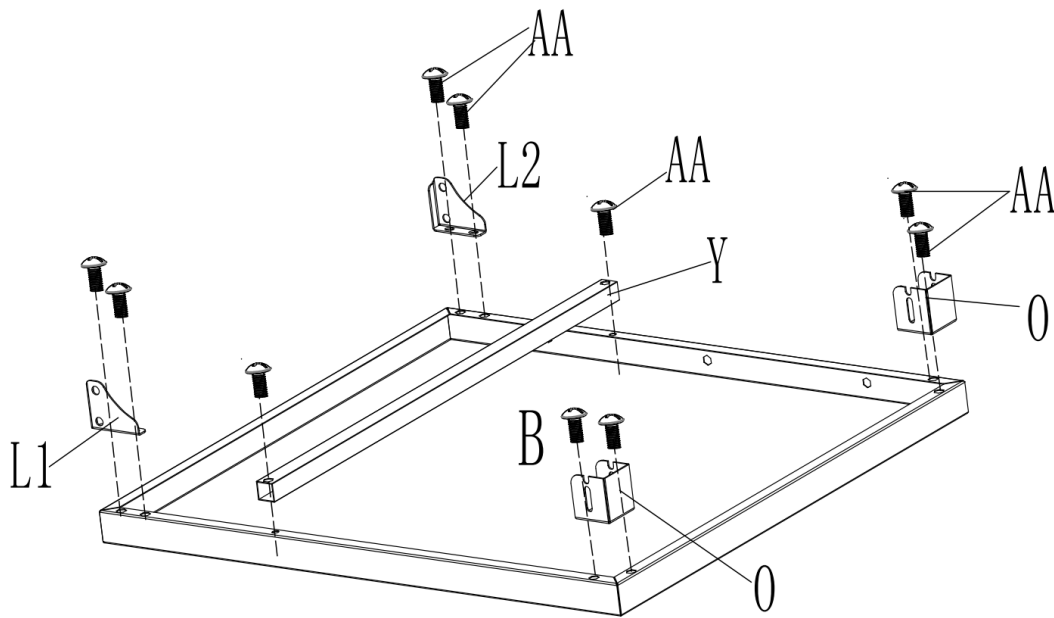
## Step 8








|   |    |    |
|---|----|----|
|  | AA | ×4 |
|  | N1 | ×1 |
|  | N2 | ×1 |

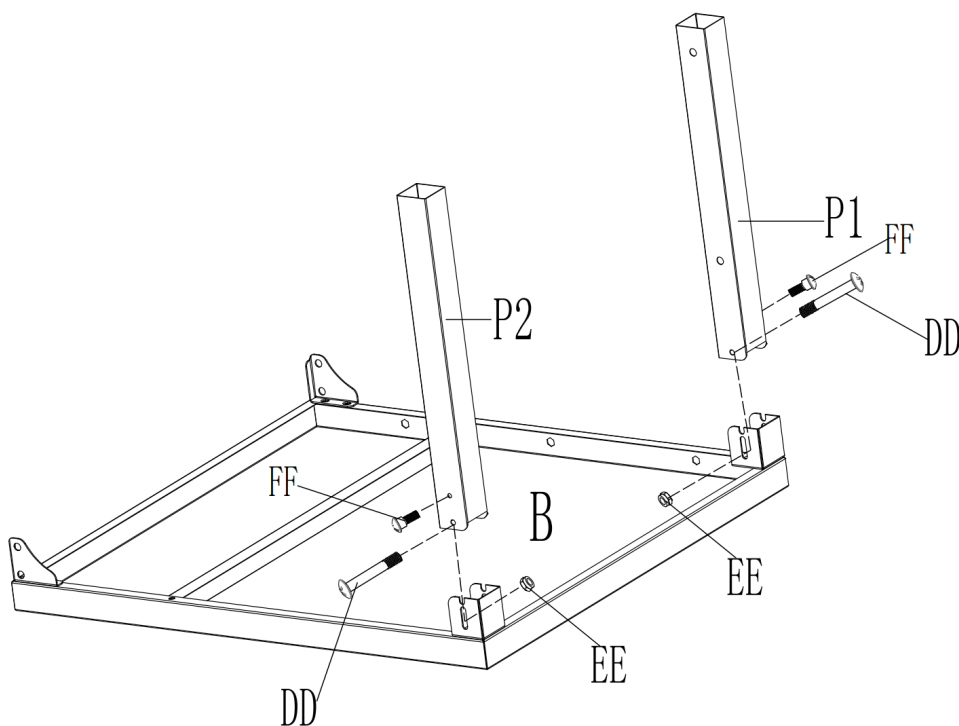
# Assembly Guide

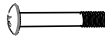




## Step 9



|   |    |     |
|---|----|-----|
|  | AA | ×10 |
|  | L1 | ×1  |
|  | L2 | ×1  |
|  | Y  | ×1  |
|  | O  | ×2  |

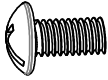
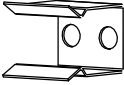
## Step 10

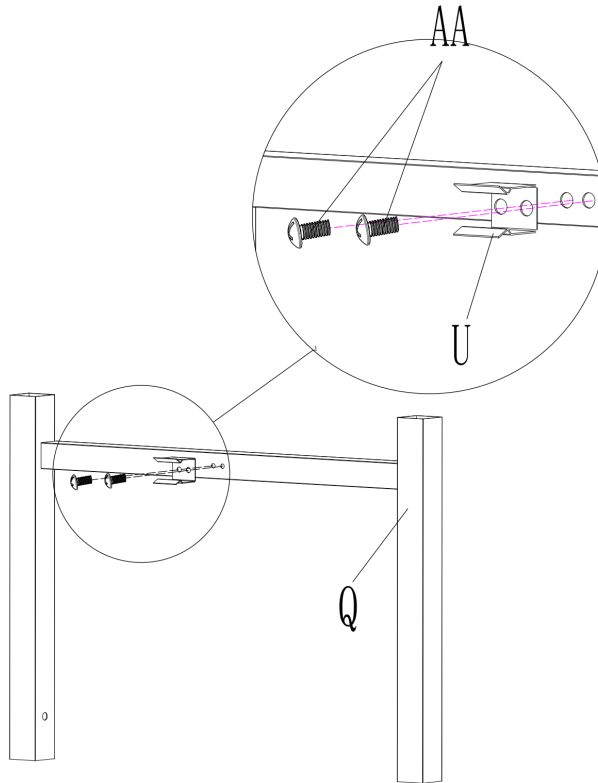


|   |    |    |
|---|----|----|
|  | DD | ×2 |
|  | EE | ×2 |
|  | FF | ×2 |
|  | P1 | ×1 |
|  | P2 | ×1 |

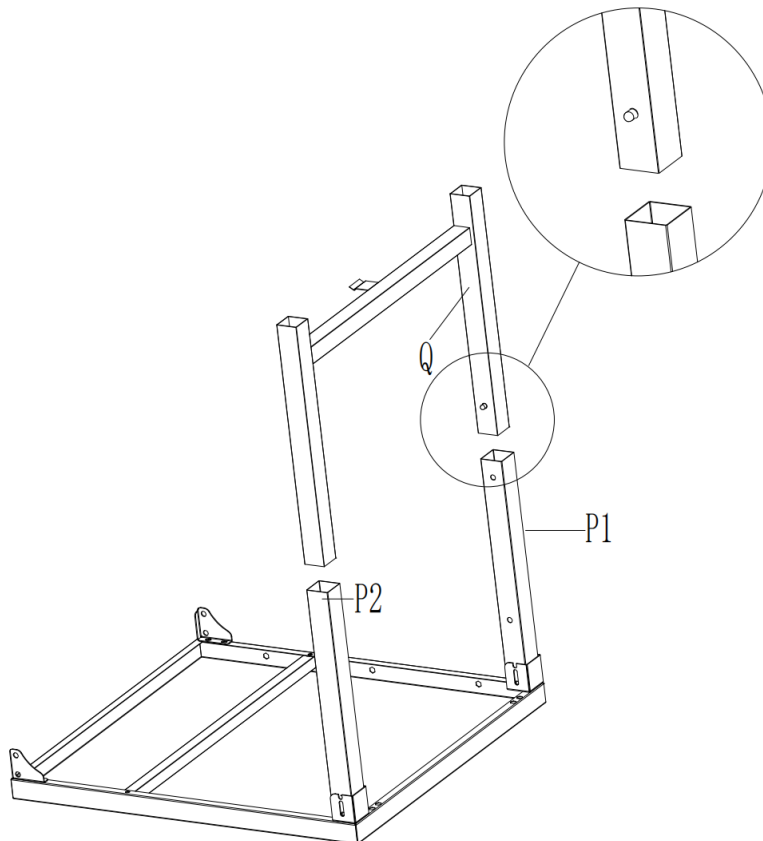
# Assembly Guide

## Step 11

|   |    |    |
|---|----|----|
|  | AA | X2 |
|  | U  | X1 |



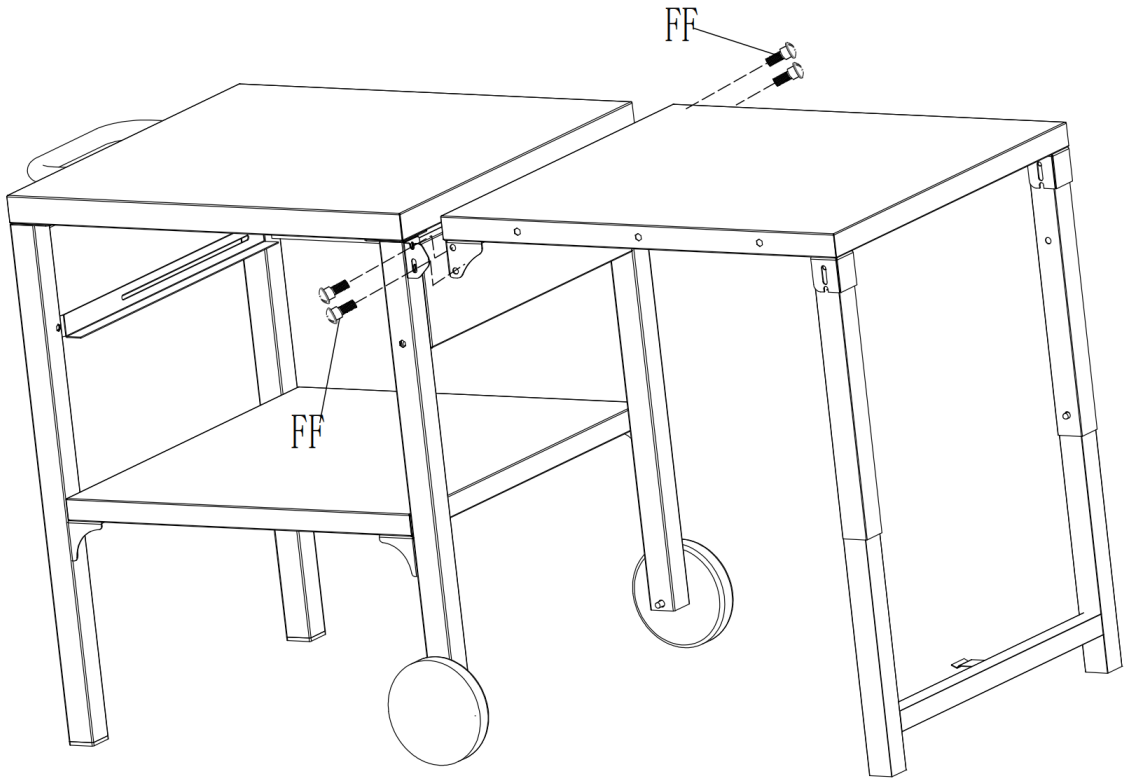
## Step 12



# Assembly Guide

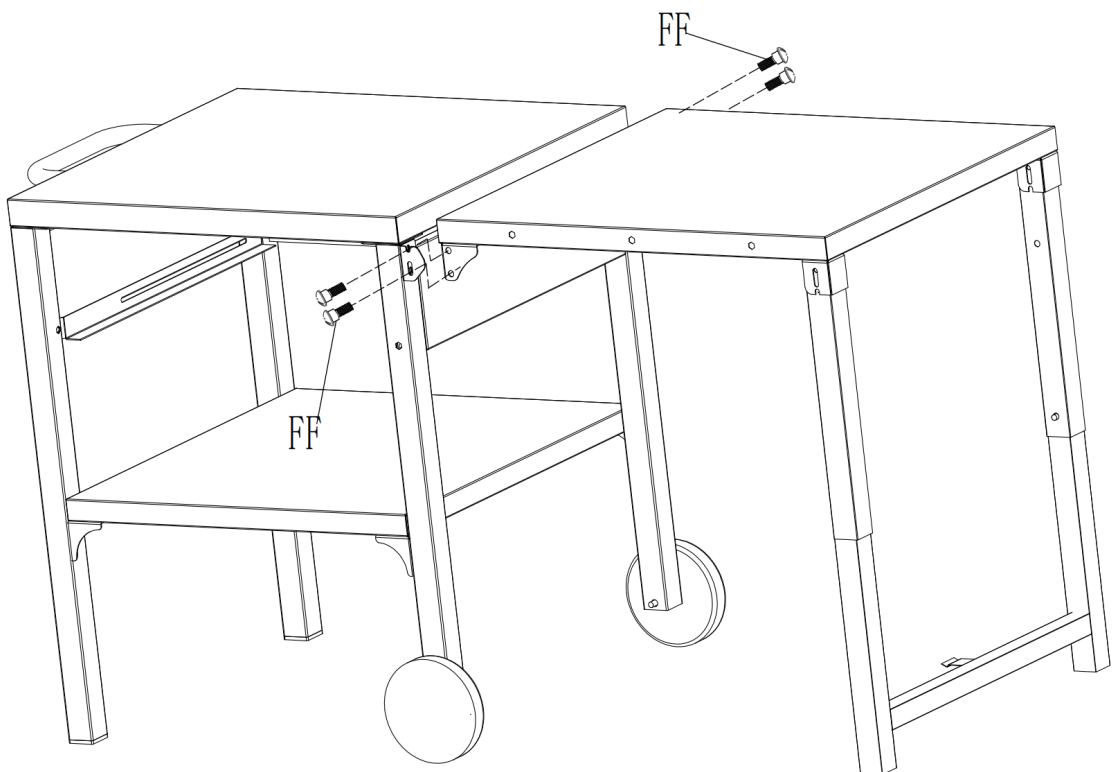
## Step 13

|   |    |    |
|---|----|----|
|  | FF | ×4 |
|---|----|----|



## Step 14

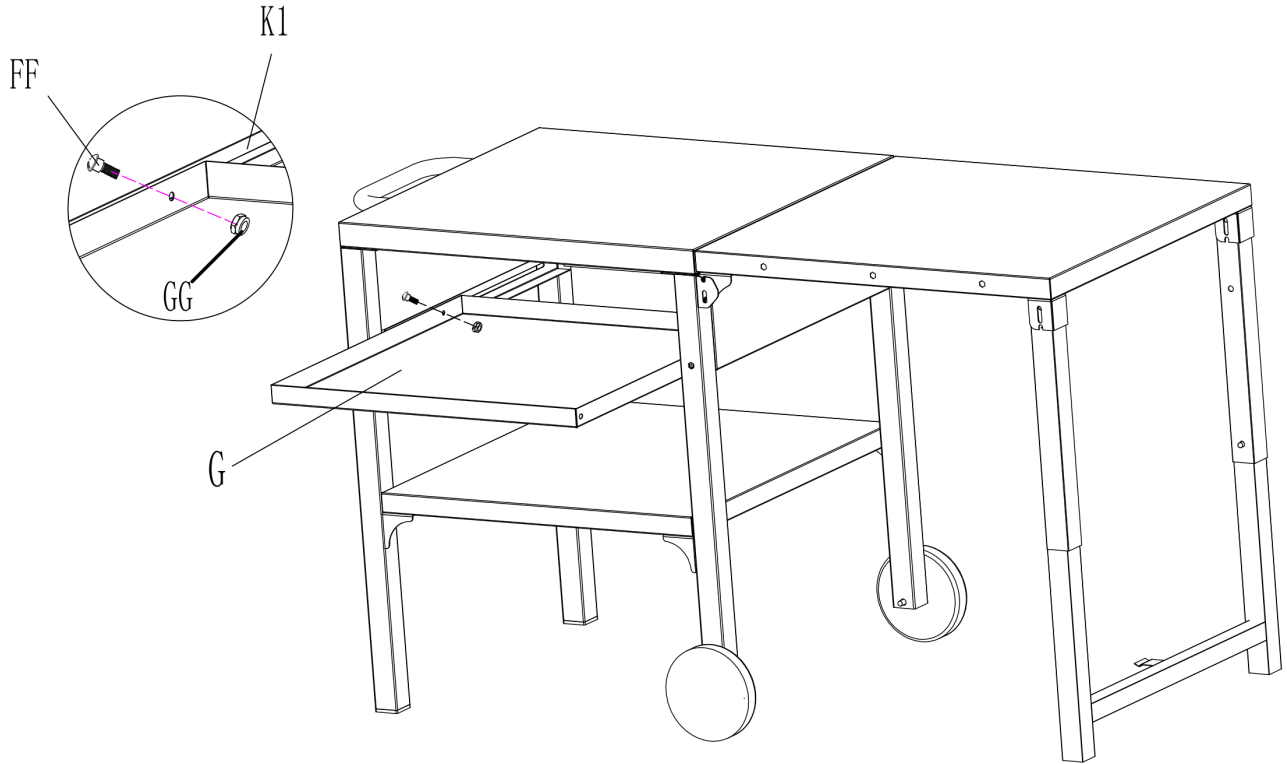
|   |    |    |
|---|----|----|
|  | FF | ×4 |
|---|----|----|



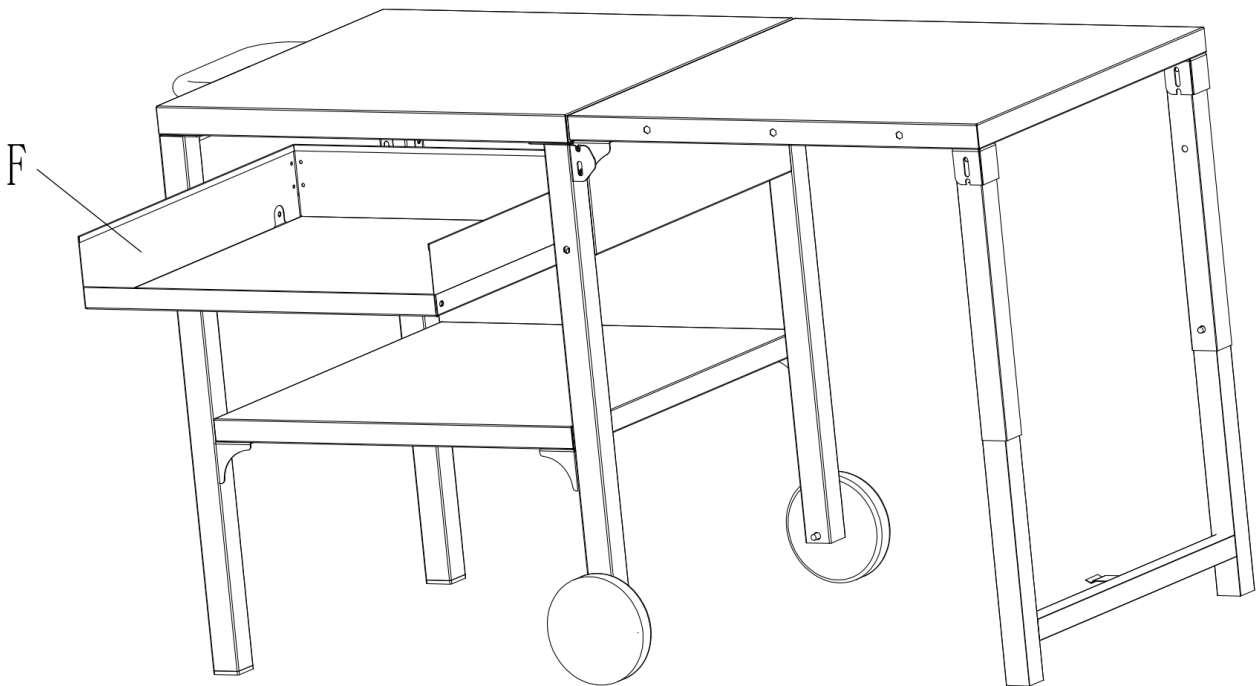
# Assembly Guide

## Step 15

|   |    |    |
|---|----|----|
|  | FF | ×2 |
|  | GG | ×2 |

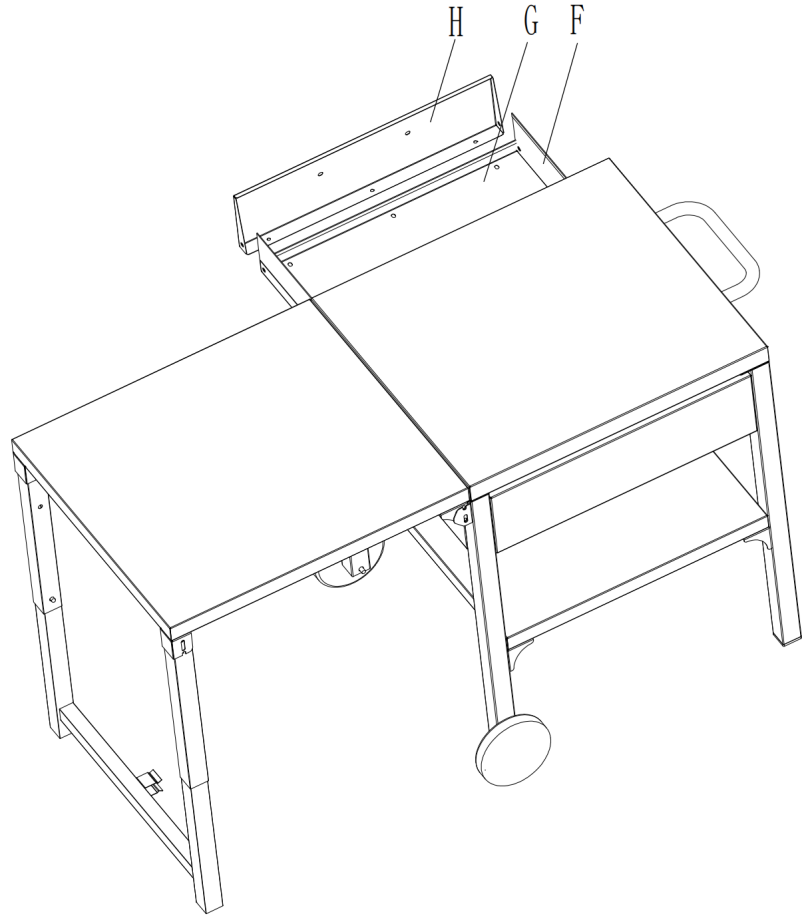


## Step 16


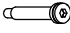


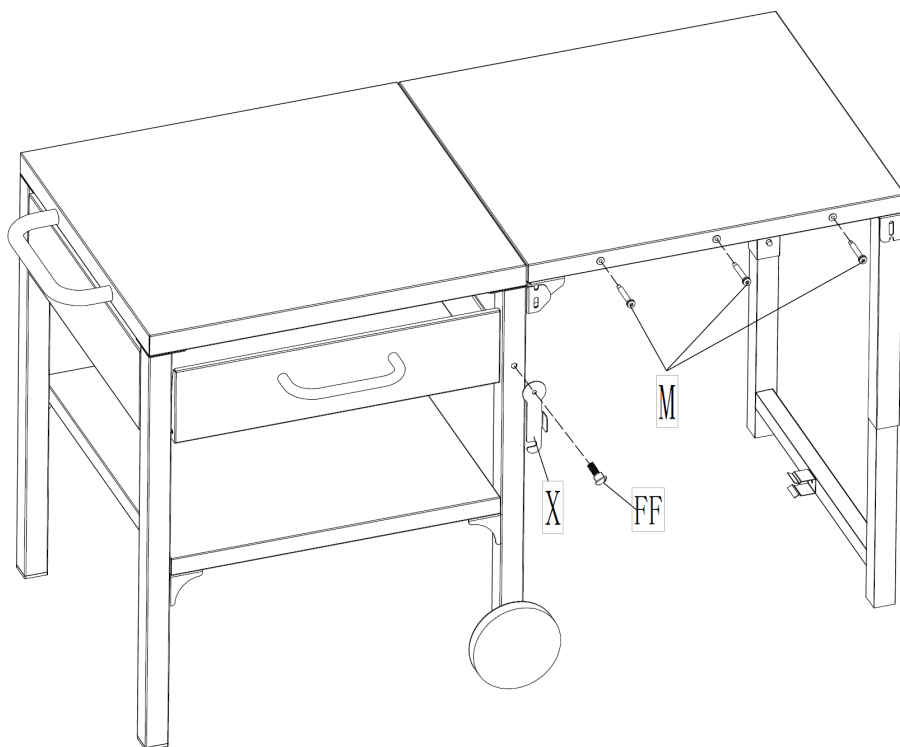
# Assembly Guide

## Step 17



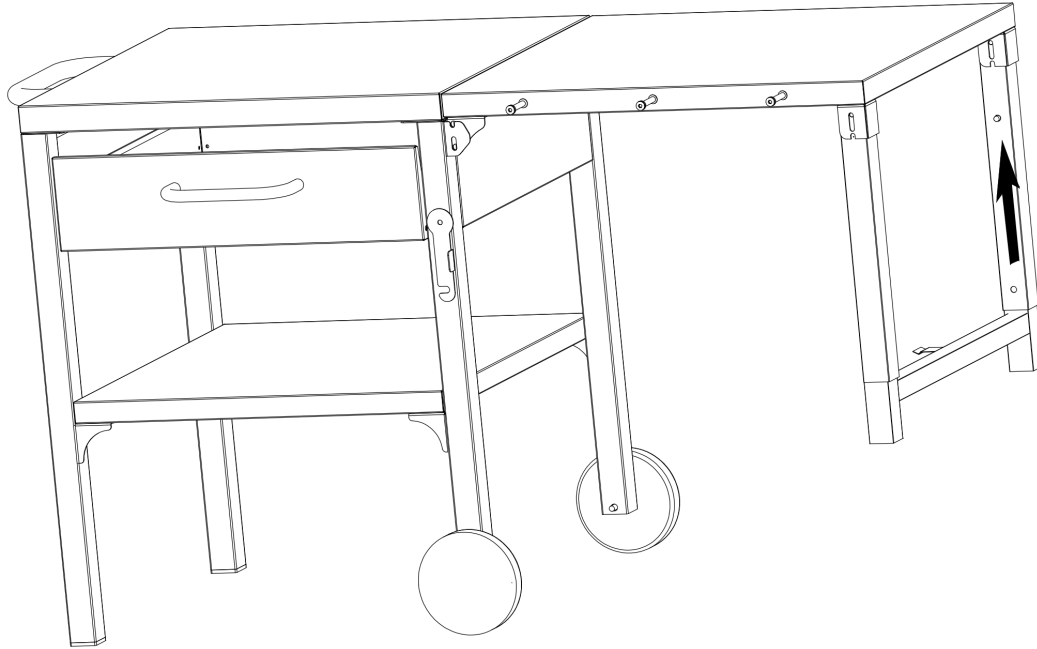
## Step 18

|   |    |    |
|---|----|----|
|  | FF | ×1 |
|  | M  | ×3 |



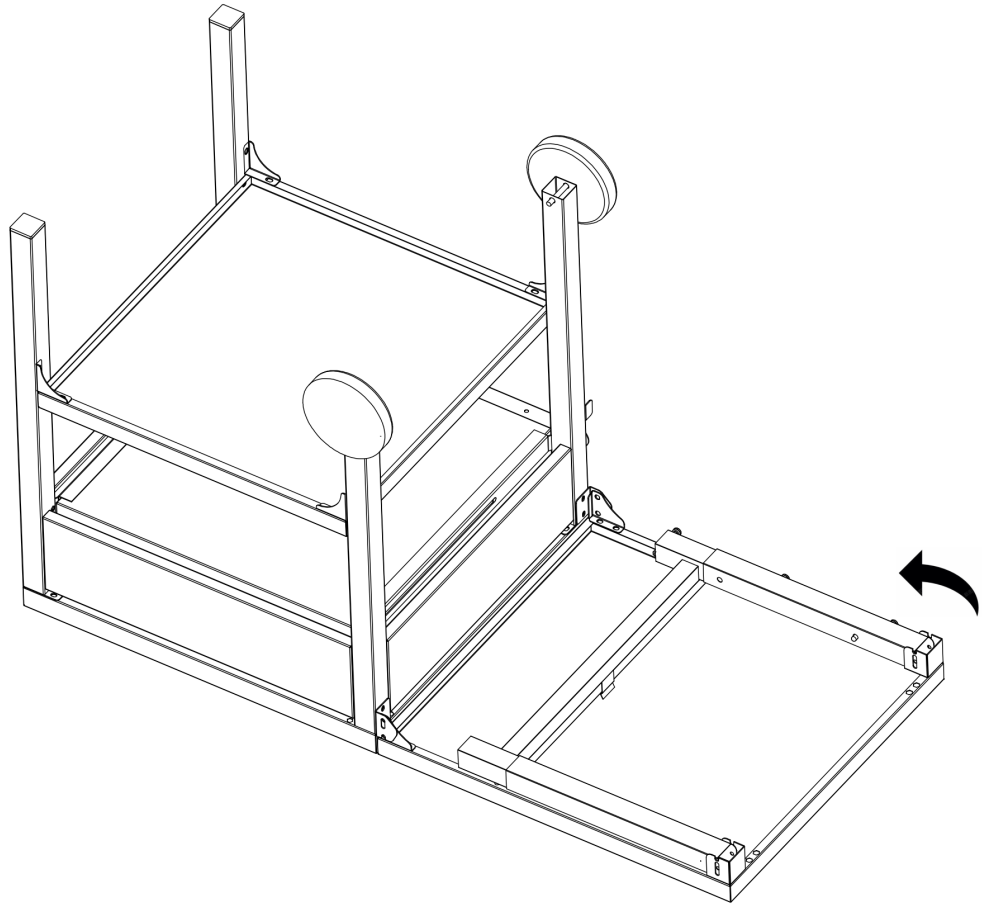
# Assembly Guide

## Step 19



# Assembly Guide

## Step 20



## Step 21

