

LED Porch Lantern

Features

All purpose LED porch light is an energy saving long-lasting alternative to incandescent. Ideal use for security and general lighting. Provides lighting in residential, commercial, and hospitality applications. Fixture mounts standard to junction box (not included).

Construction

Housing is die-cast 22-gauge aluminum.
Power supply must be made inside junction box.

Finish

All exposed metal surface area is painted black powder coated finish.

Diffuser

Frosted glass panels.

Electrical

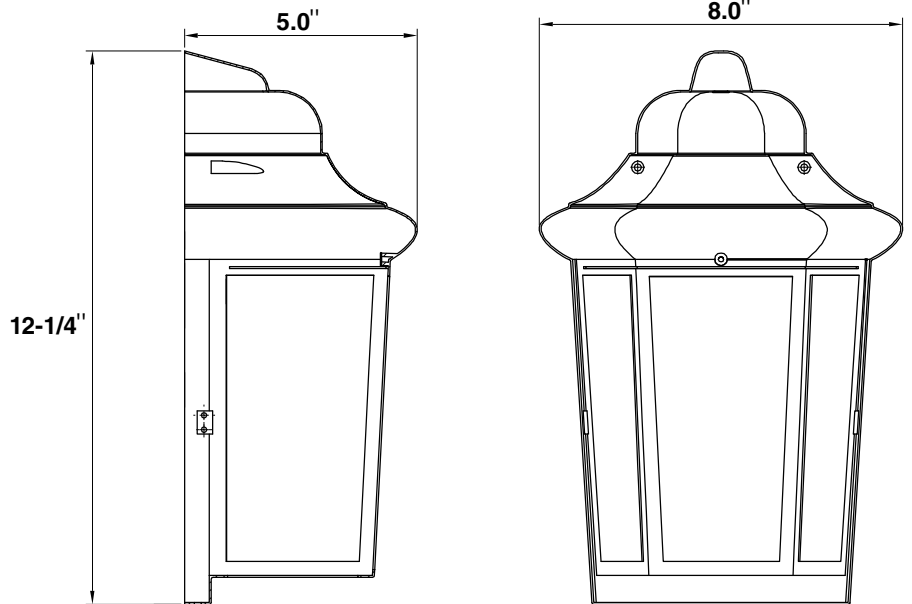
This unit is wired for 120VAC/60 Hz. operation. Low voltage LED driver is rated for 12VAC output to the LED light engine.

Lamping

35,000 hr. long life non-replaceable LEDs produce 700 source lumens. 5000K color temperature.

Certification

cETLus certified for wet locations.



Ordering Information:

Finish	LED	Source Lumens	H	W	D
Black	10.5W	700	12-1/4"	8"	5"

Specifications and dimensions subject to change without notice.