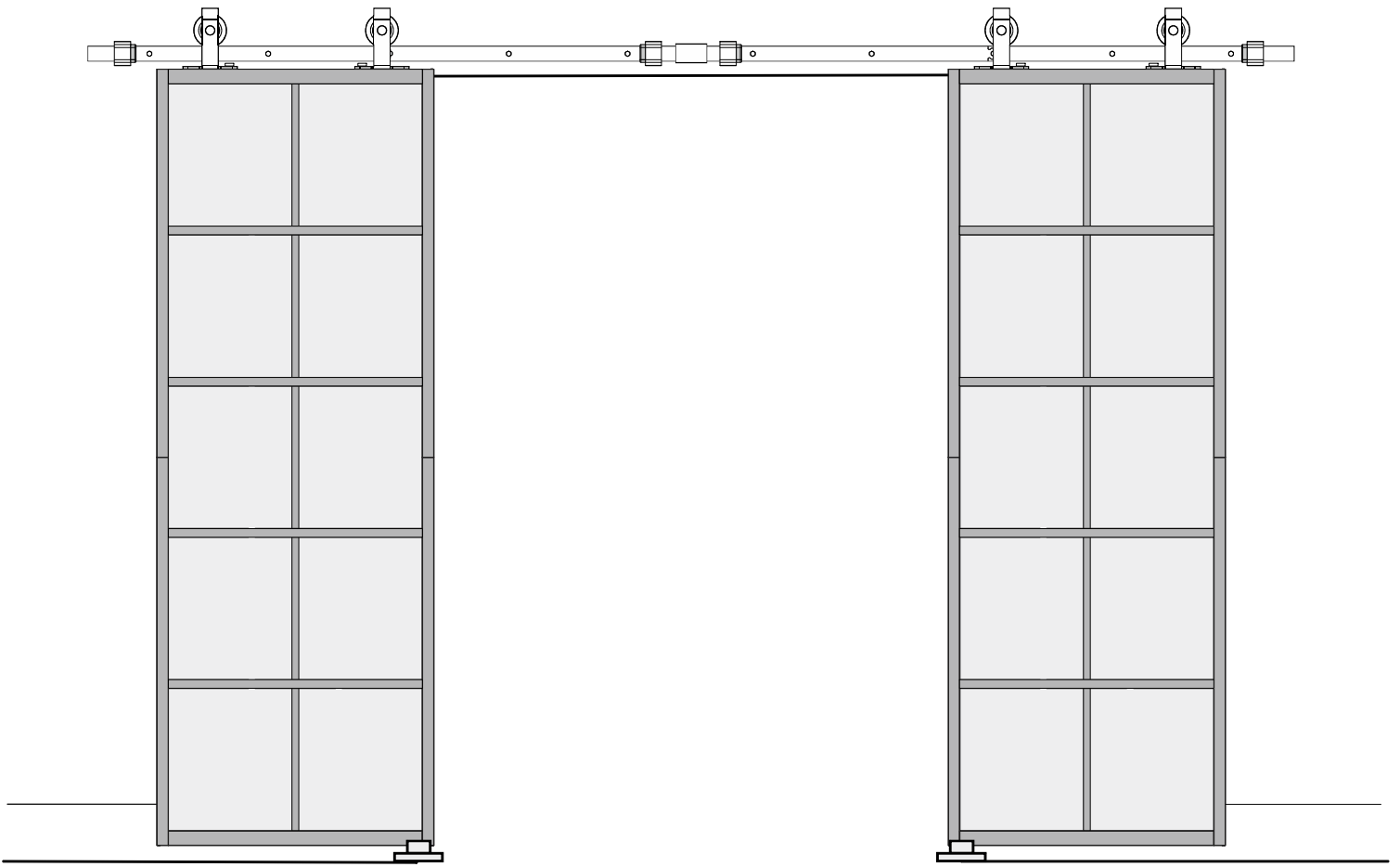
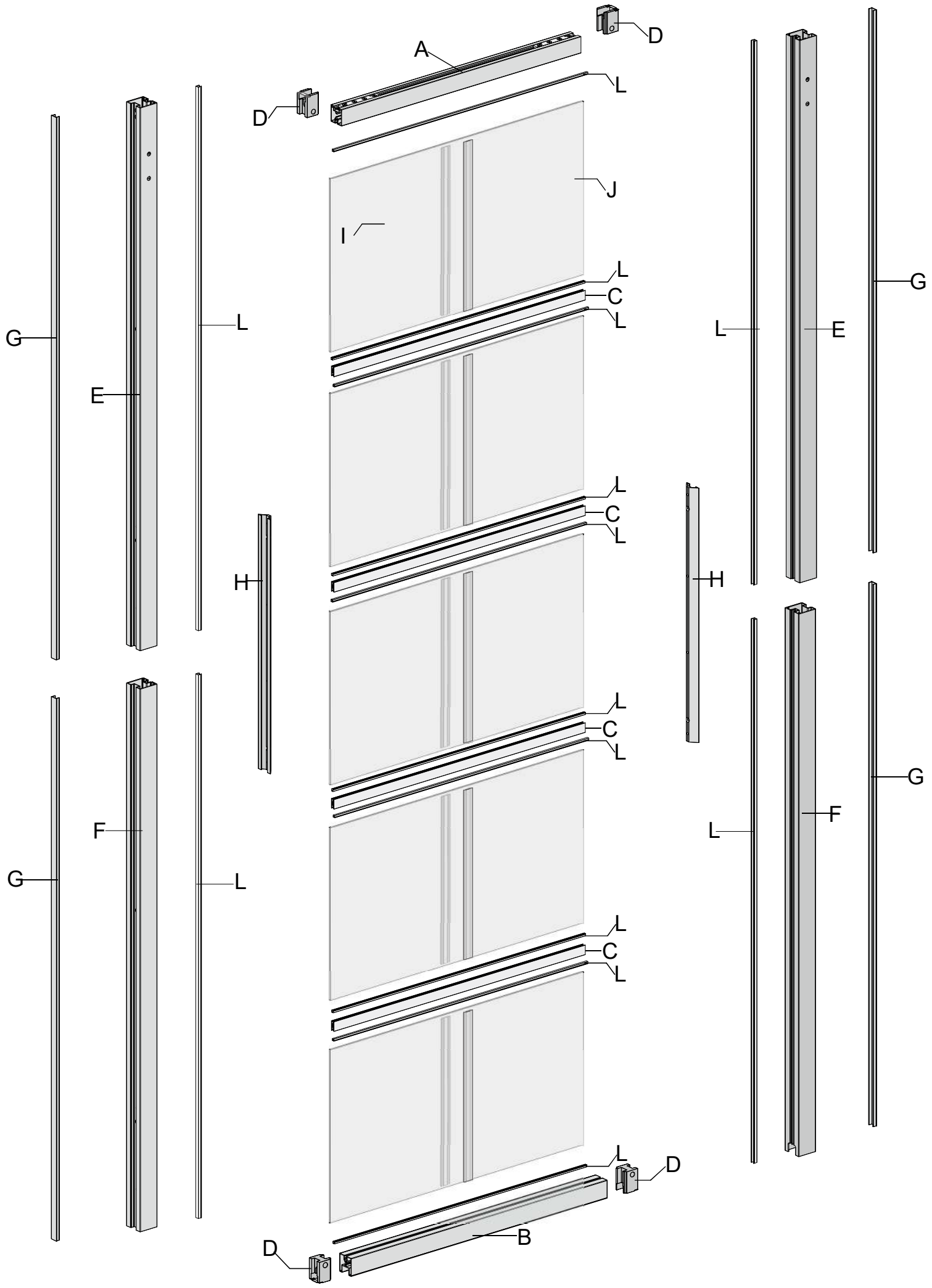
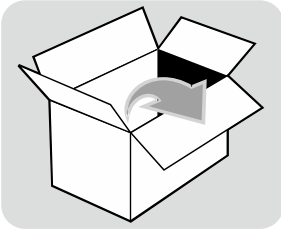


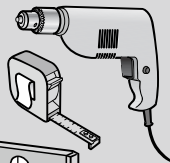
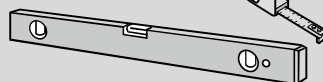
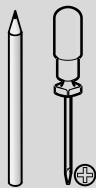
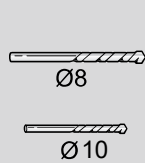
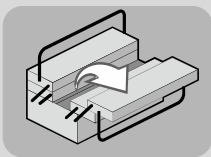
# Installation Manual



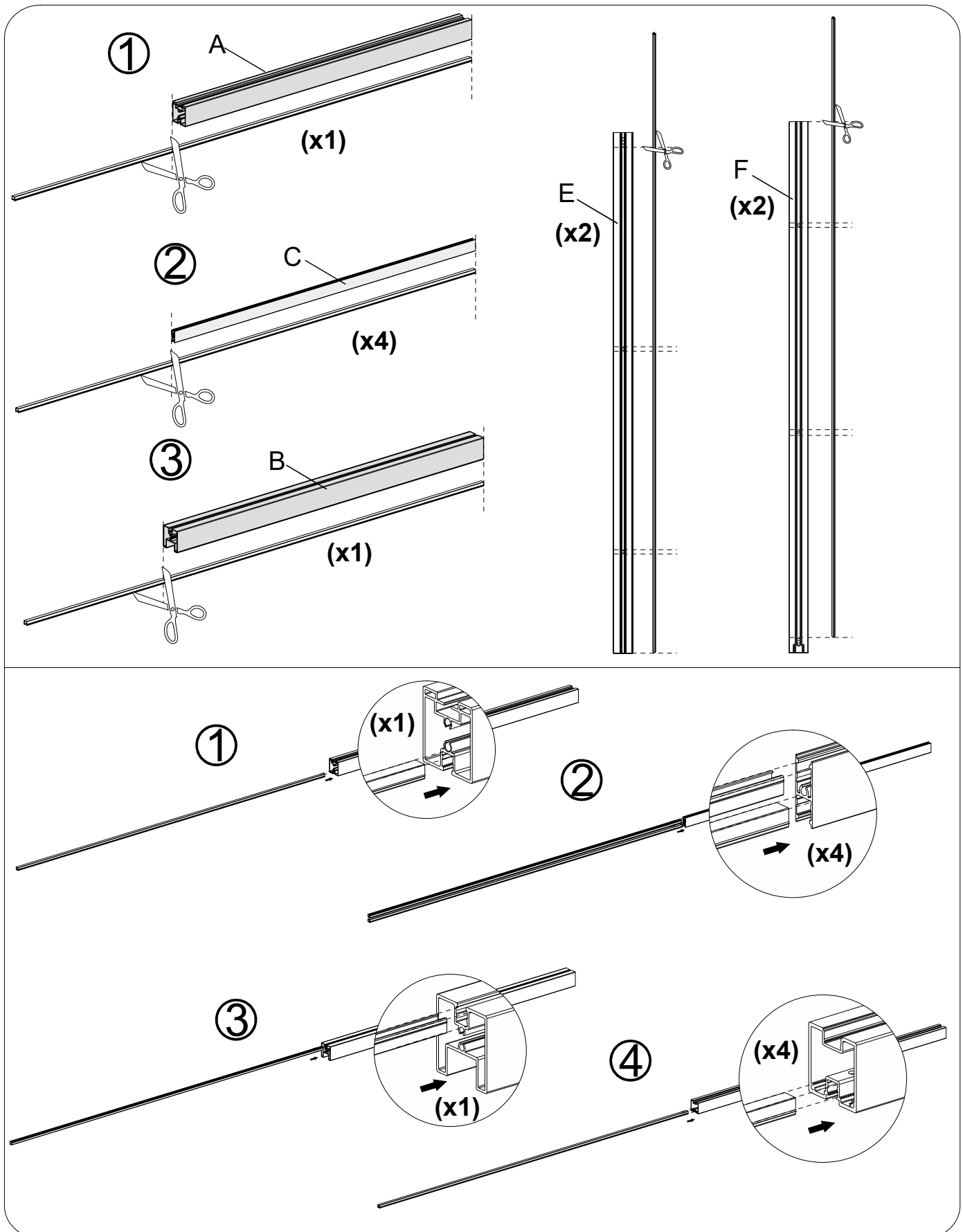




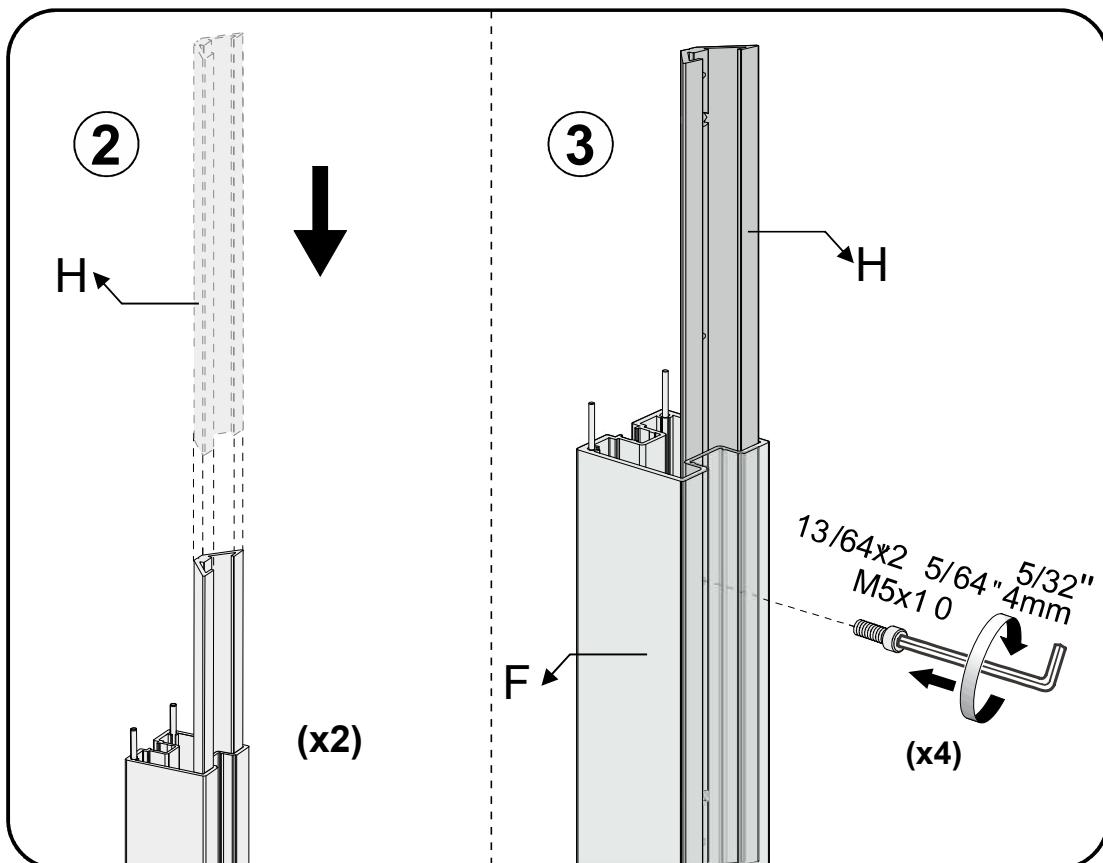
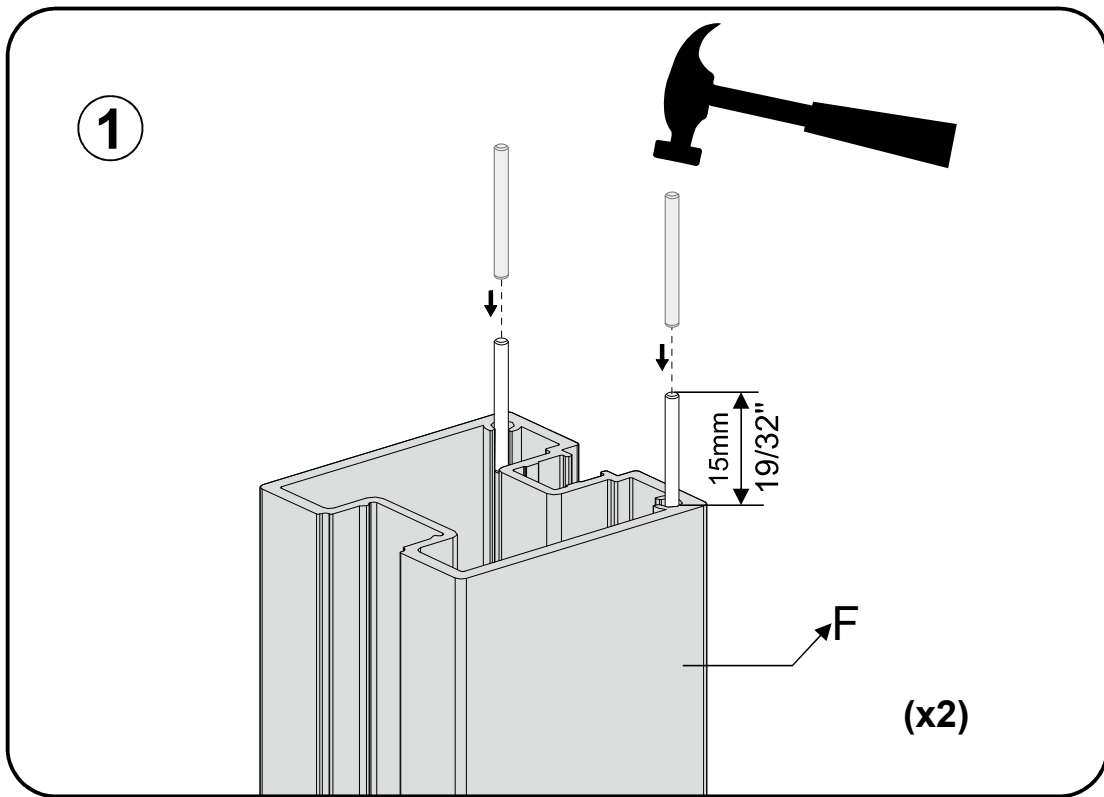
|                    |                                                                                                                        |                     |                                                                    |                     |
|--------------------|------------------------------------------------------------------------------------------------------------------------|---------------------|--------------------------------------------------------------------|---------------------|
| <b>A</b><br><br>x1 | <b>B</b><br><br>x1                                                                                                     | <b>C</b><br><br>x4  | <b>D</b><br><br>x4<br><br>x4                                       |                     |
| <b>E</b><br><br>x2 | <b>F</b><br><br>x2<br>x4<br>5/32 "x1 3/16"<br>M4x30(x10)<br>Metal screw<br>13/64 "x1 3/16"<br>M5x30(x4)<br>Black screw | <b>G</b><br><br>x4  | <b>H</b><br><br>x2<br>(x8)<br>13/64 "x25/64"<br>M5x10              | <b>I</b><br><br>x10 |
| <b>J</b><br><br>x5 | <b>k</b><br><br>x8                                                                                                     | <b>L</b><br><br>x14 | <br>(x1)<br>11/64 "x63/64 "<br>ST4.2x25 (x 2)<br>Ø8 (x 2)<br>5/16" | <br>x1              |



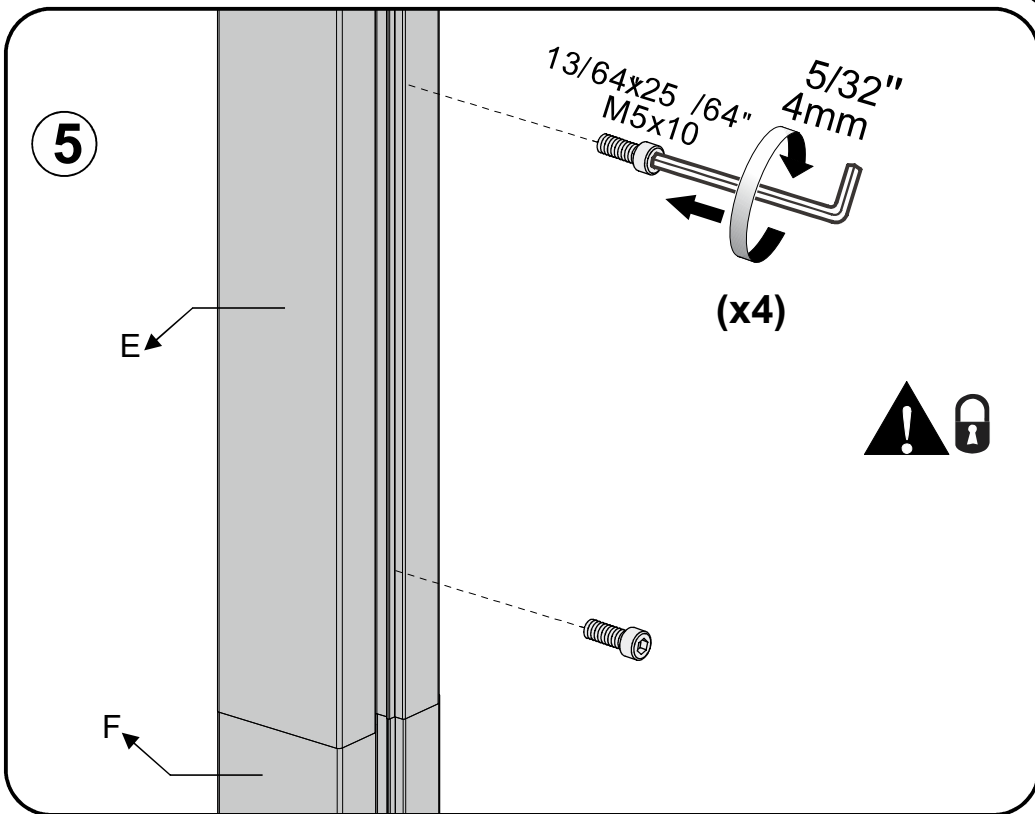
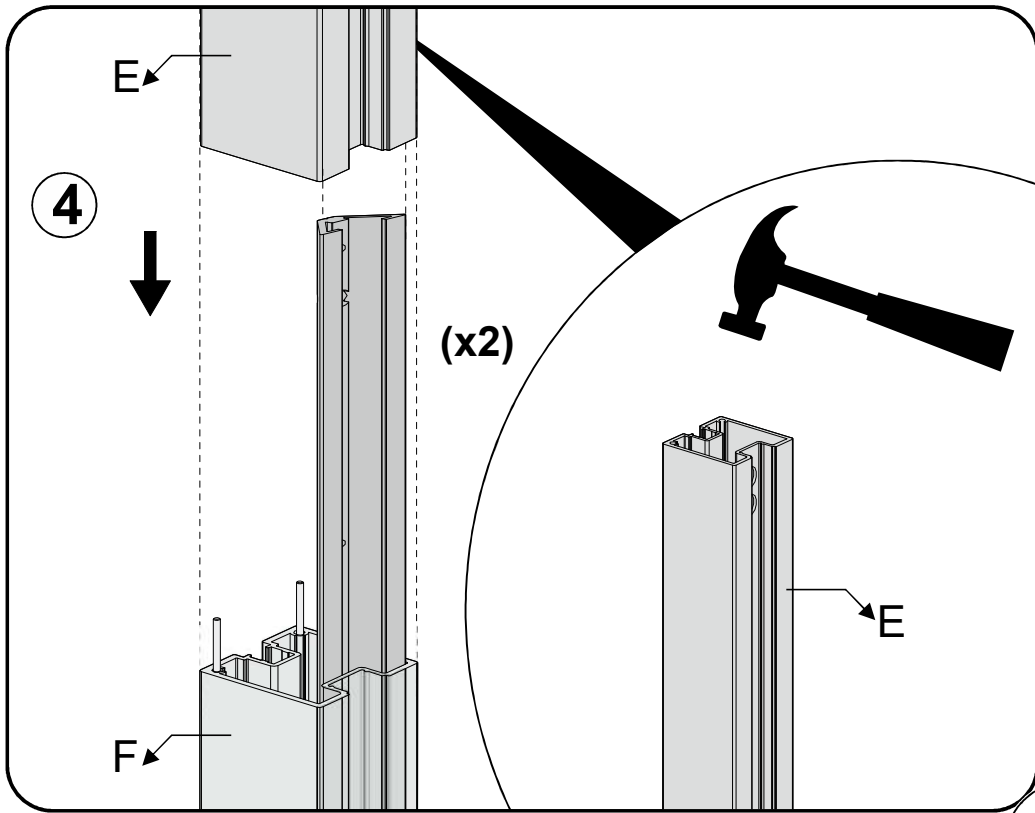
1. Cut the U-shaped strip (marked as shown in the figure: L) to the same length as the frame and the glass partition, and install it into the frame and the glass partition, do not block the screw hole.

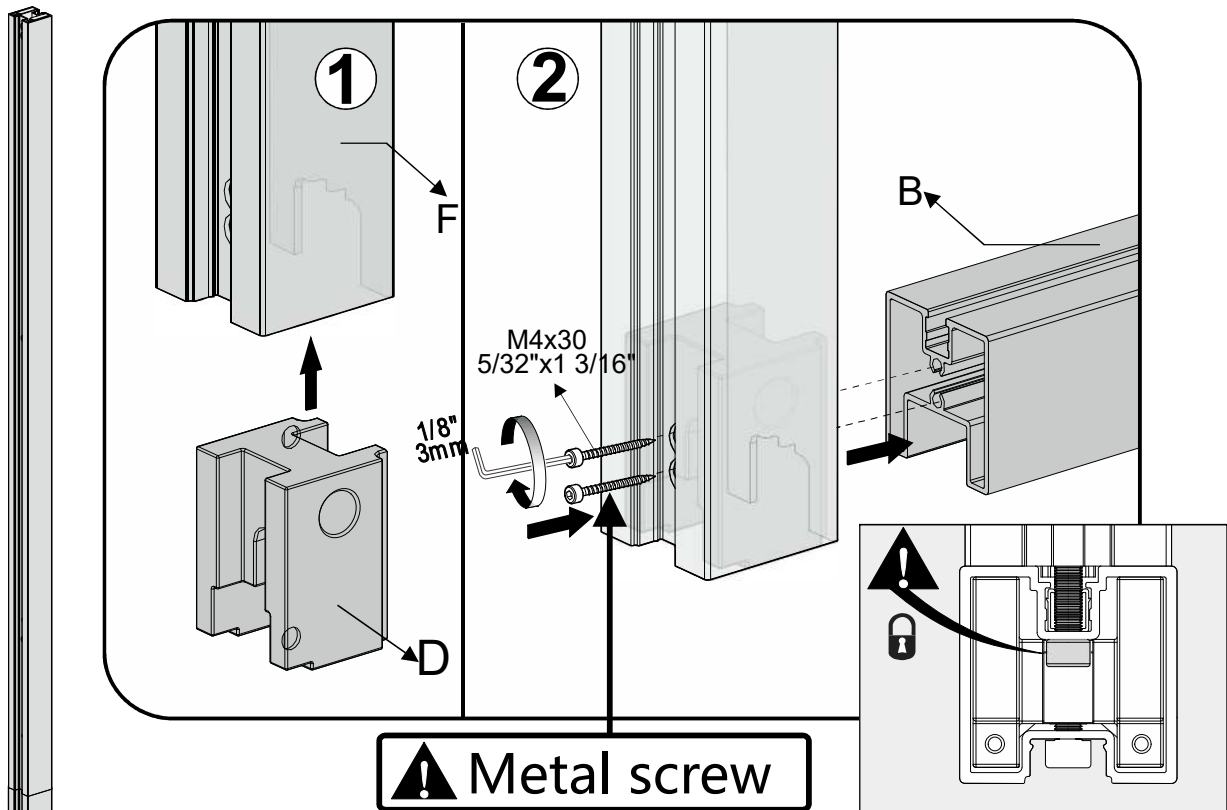


2. As shown in the picture, tap the elastic cylindrical pin into the frame with a hammer, insert the frame connector into the frame and fix it with screws.

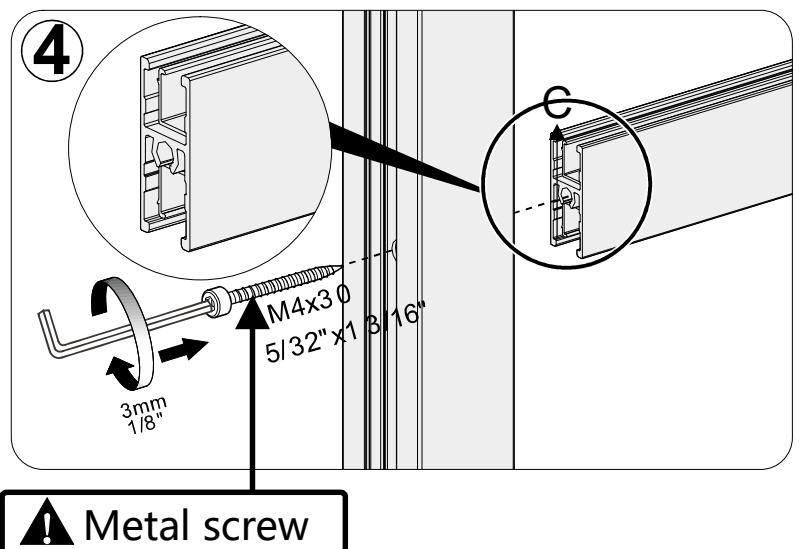
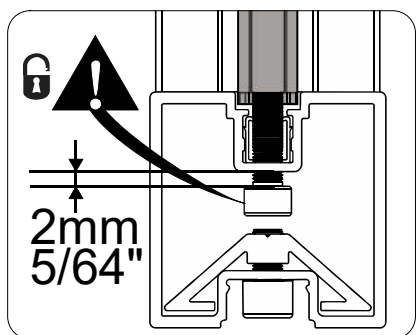
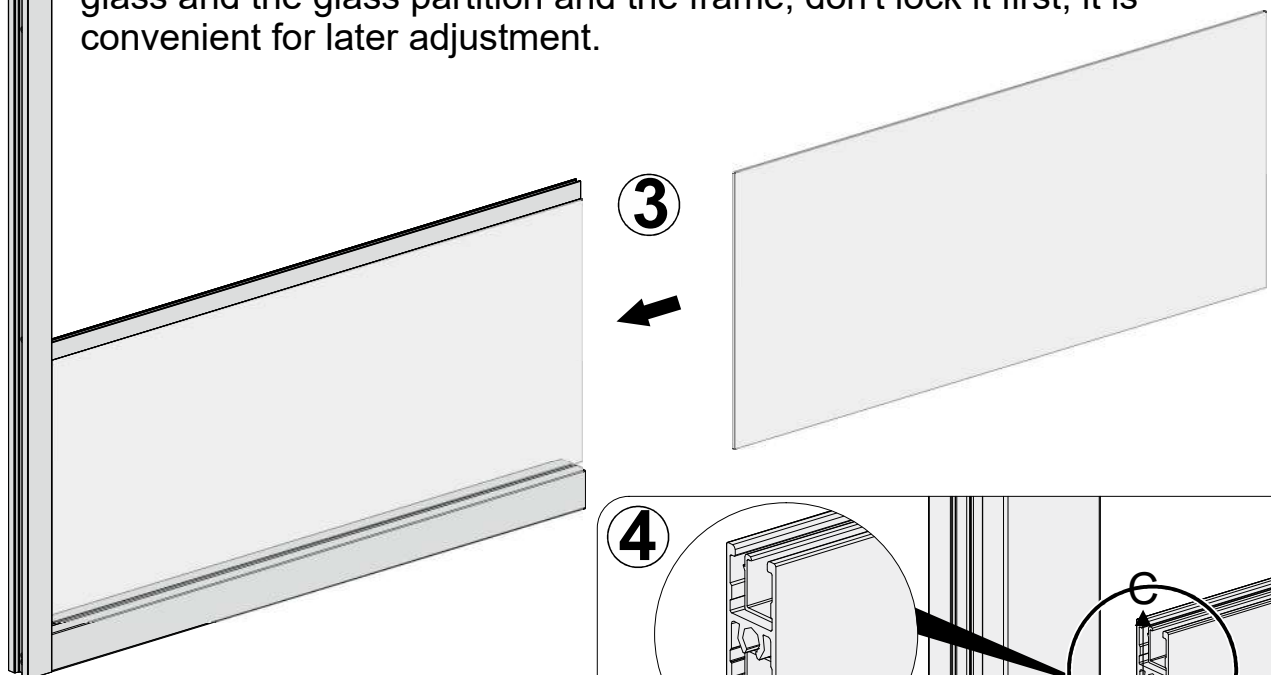


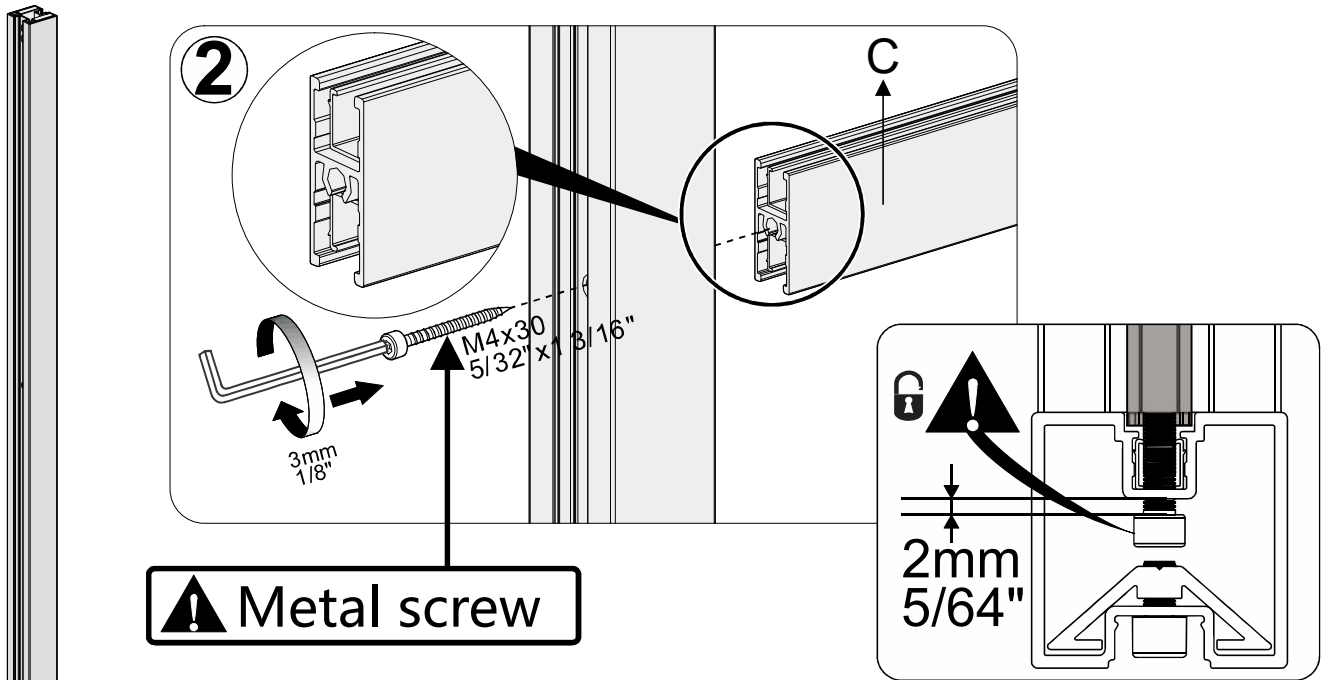
3. Connect the two frames, fix and lock with screws.



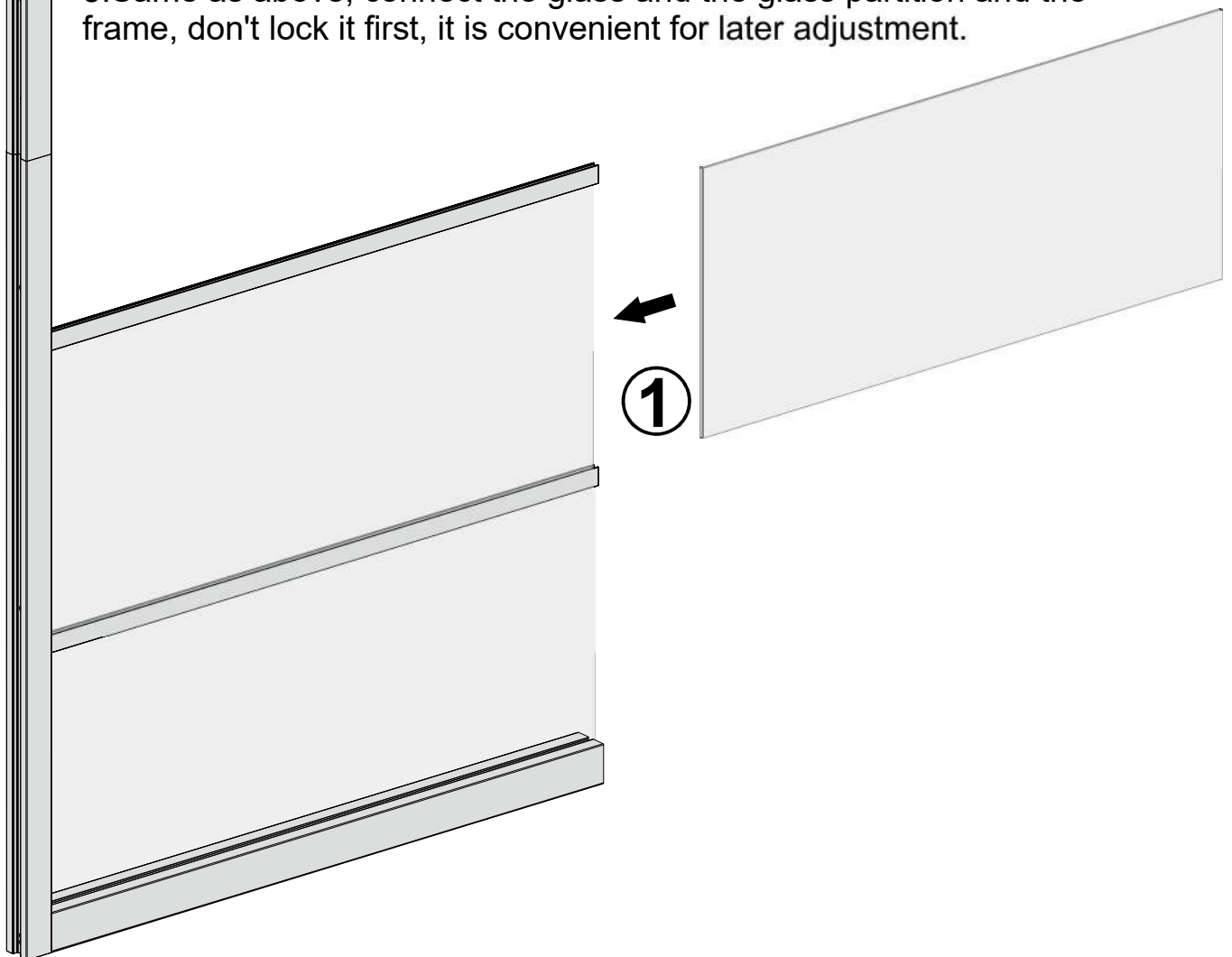


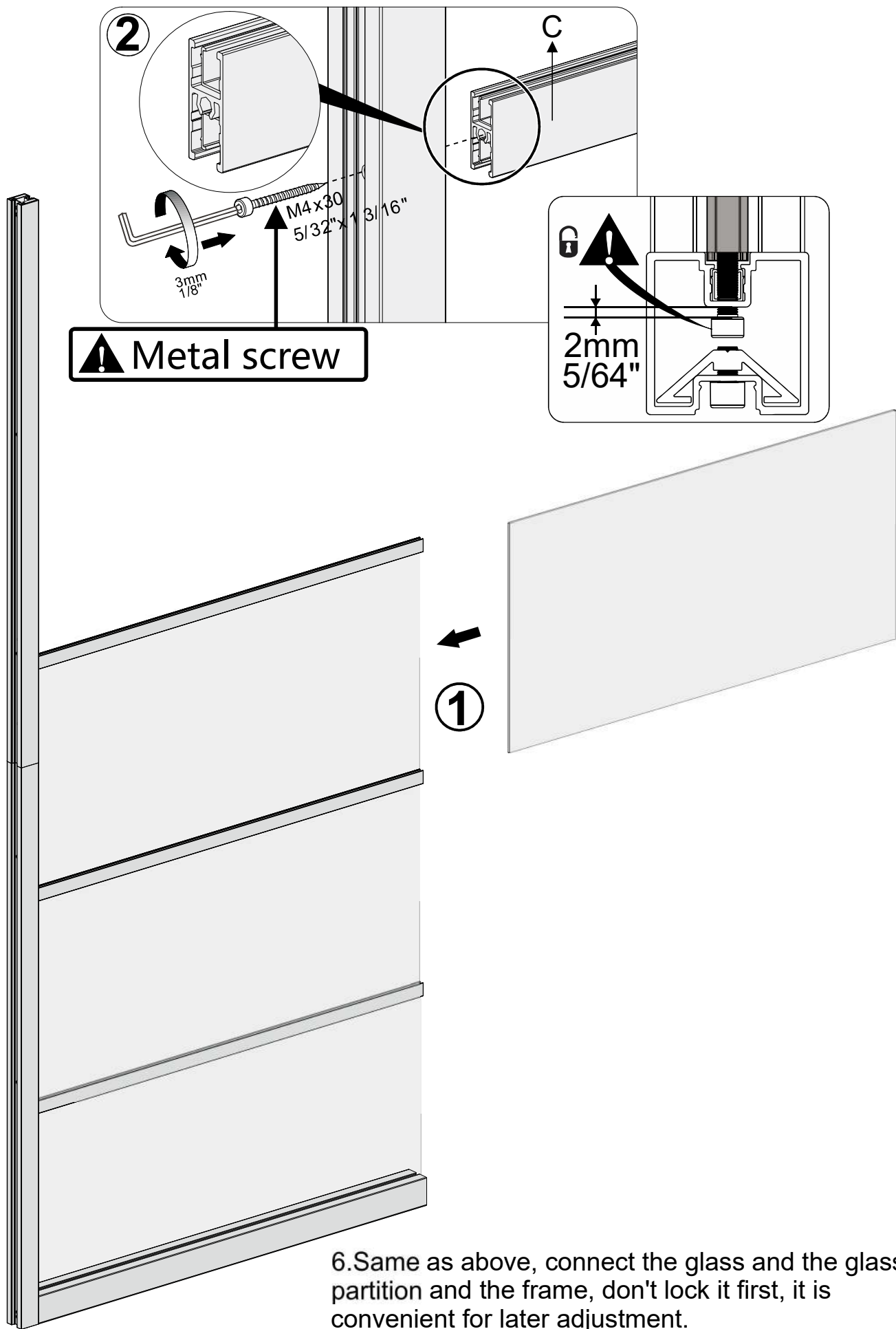
4. Put the plug into the frame, fix it with screws and lock it. Connect the glass and the glass partition and the frame, don't lock it first, it is convenient for later adjustment.





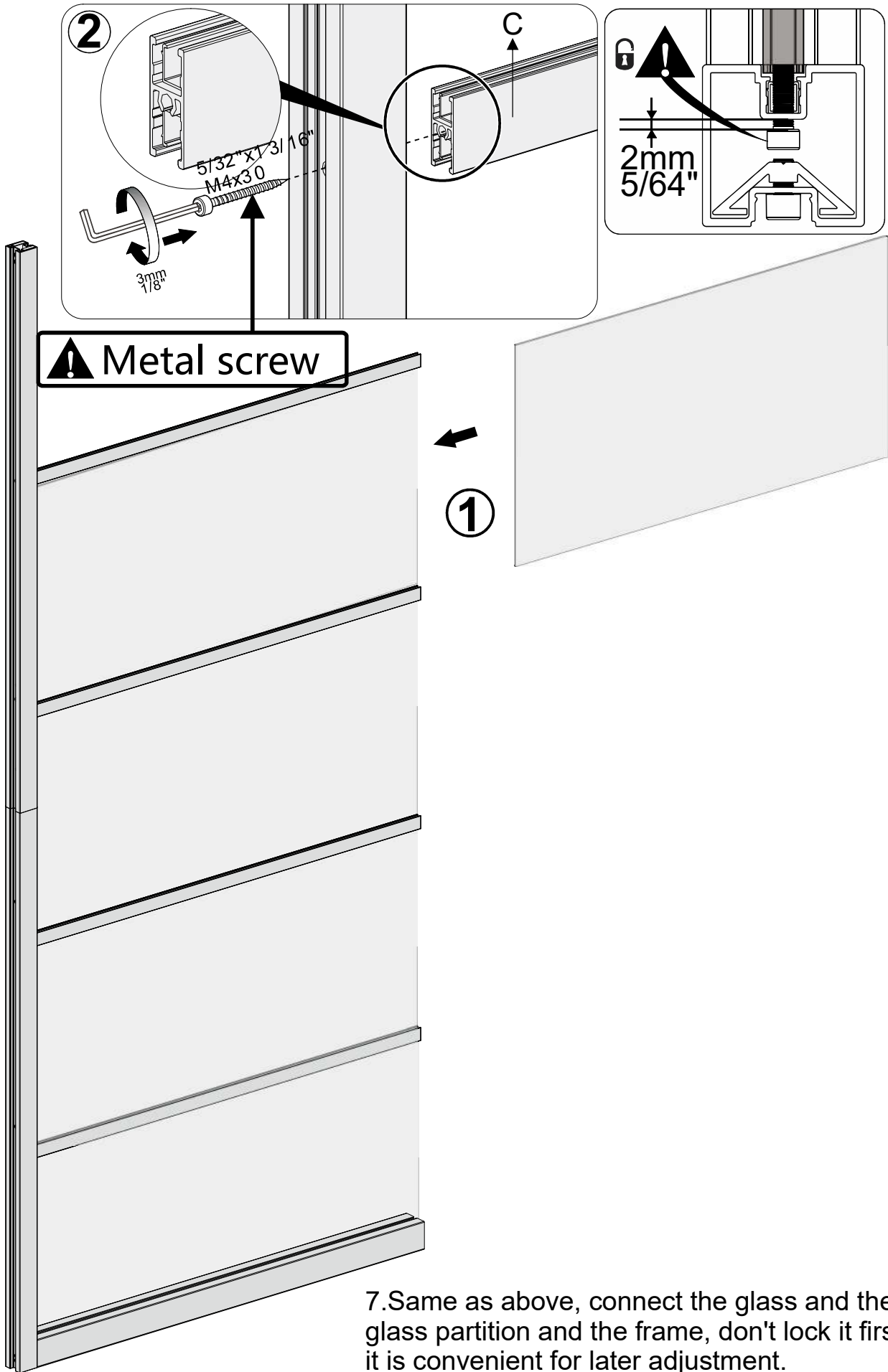
5. Same as above, connect the glass and the glass partition and the frame, don't lock it first, it is convenient for later adjustment.





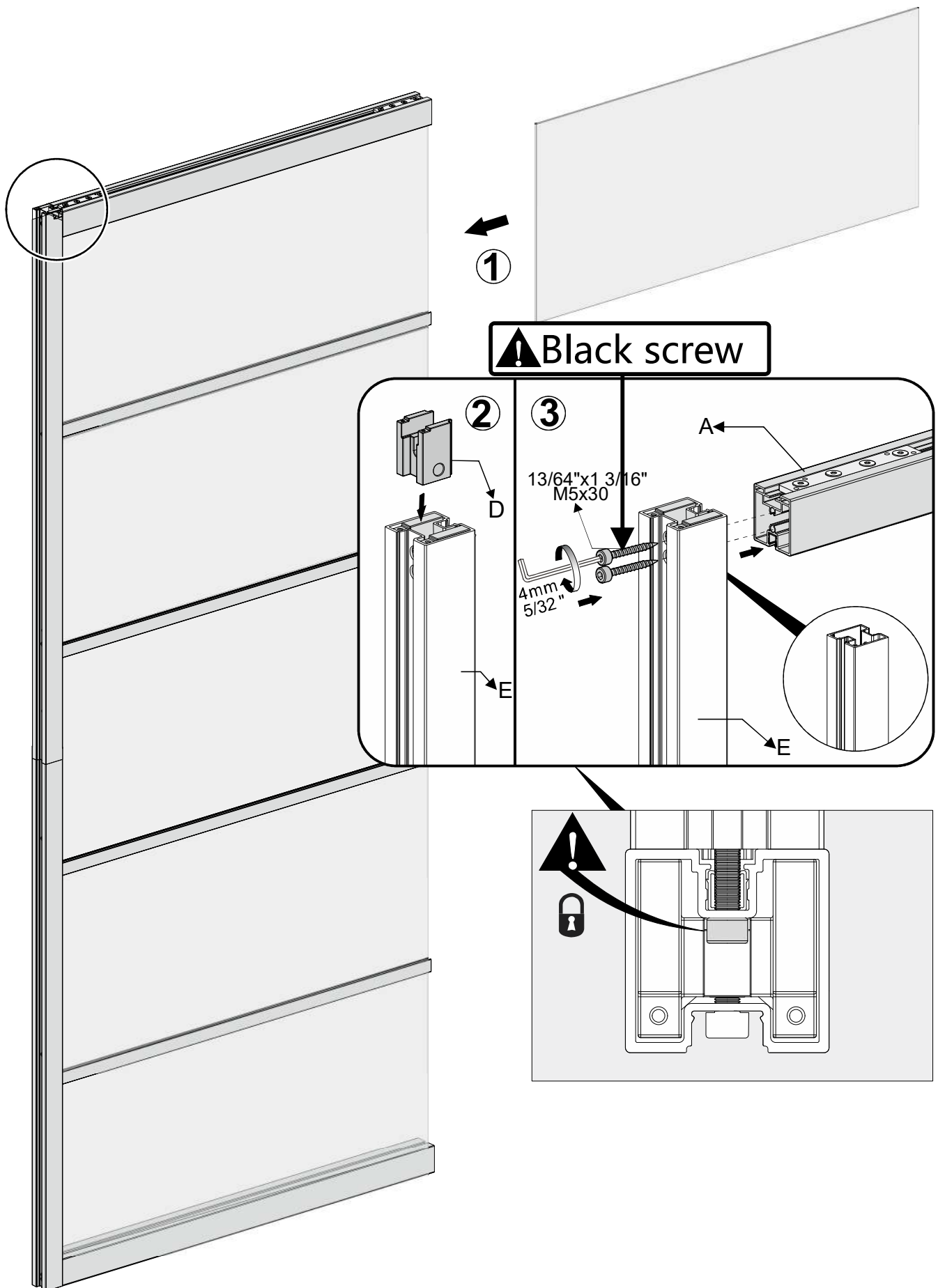
**! Metal screw**

6. Same as above, connect the glass and the glass partition and the frame, don't lock it first, it is convenient for later adjustment.



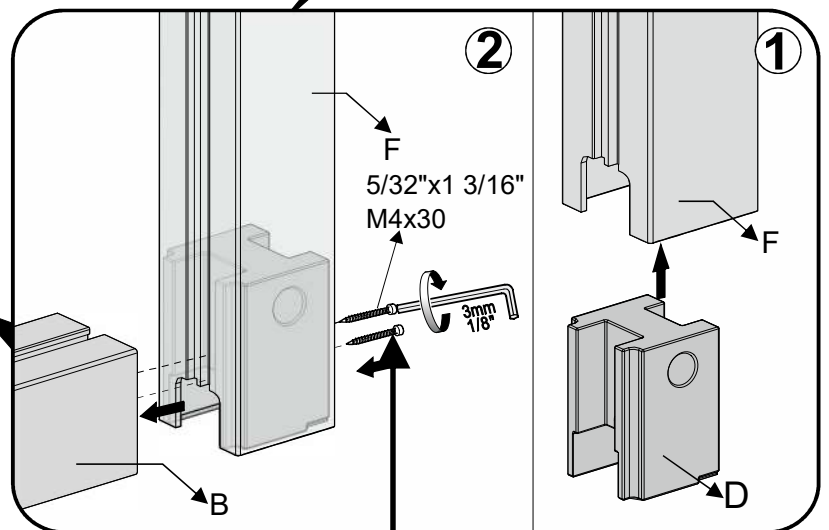
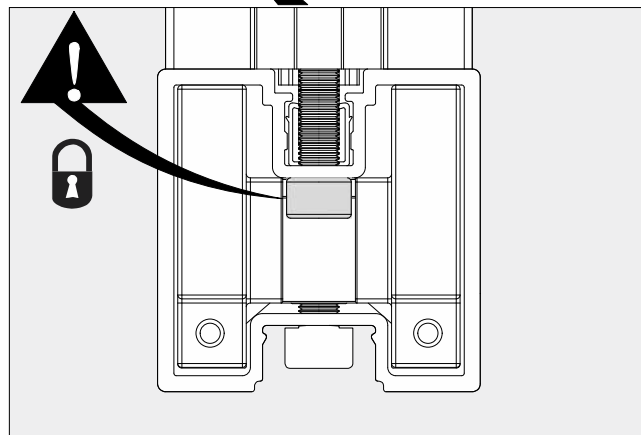
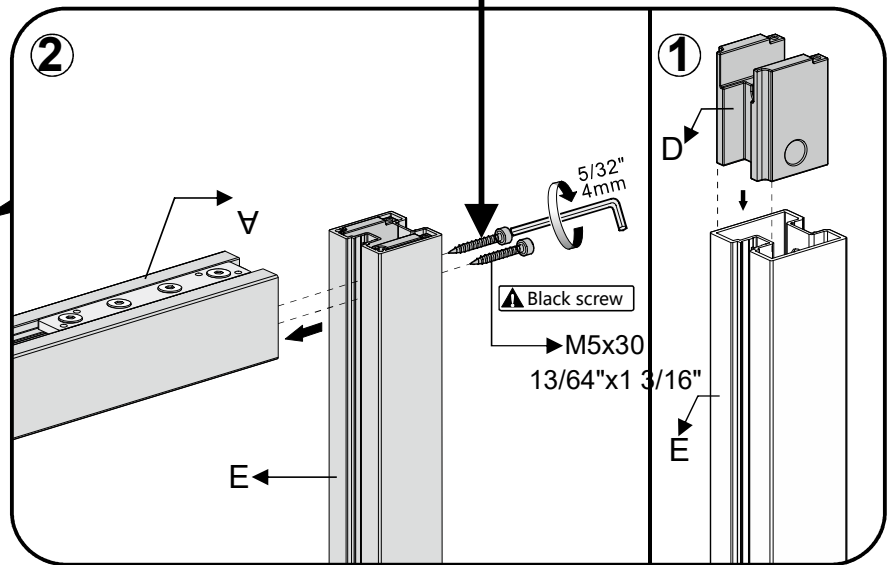
7. Same as above, connect the glass and the glass partition and the frame, don't lock it first, it is convenient for later adjustment.

8. After all 5 pieces of glass are connected, insert the plug into the frame to lock.



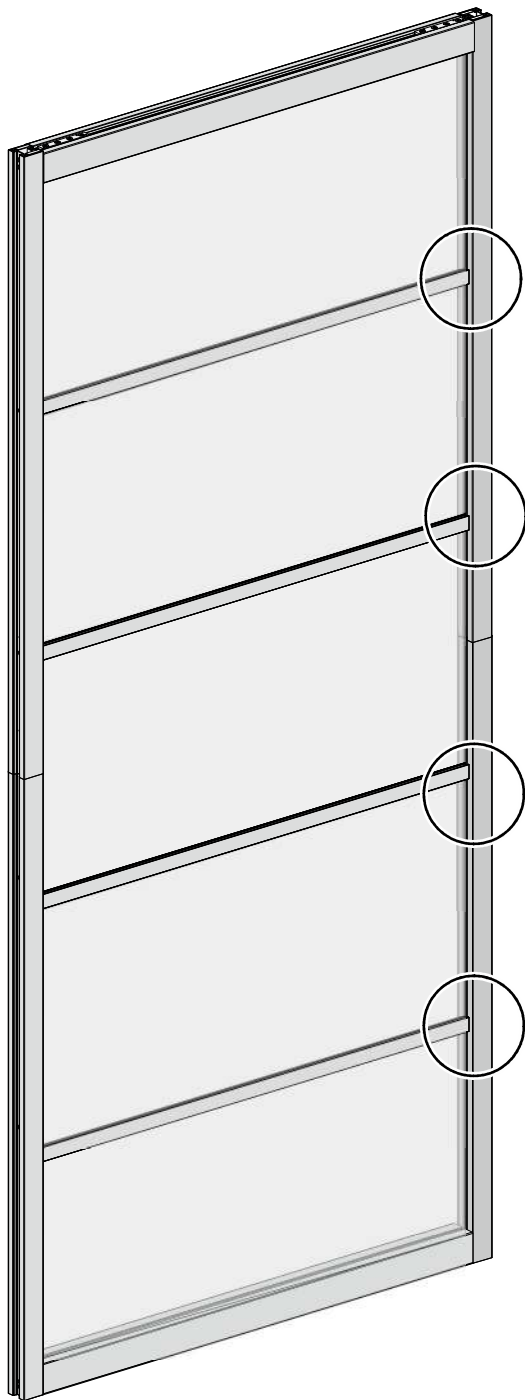
9. Install the plug into the frame and lock it, and connect the other side of the frame.

**! Black screw**

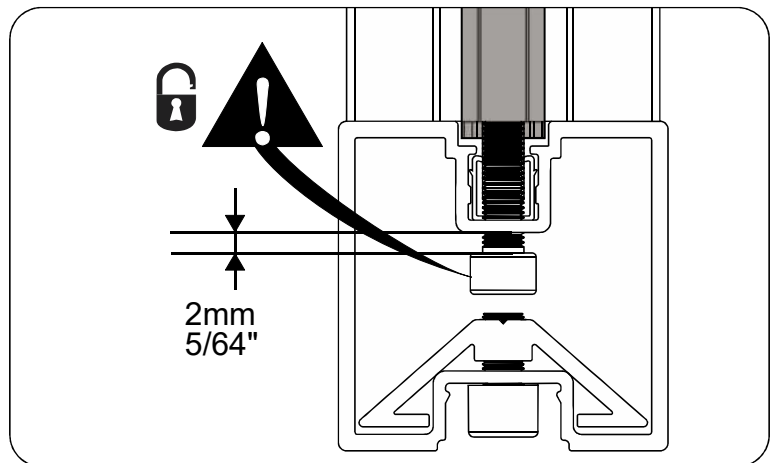
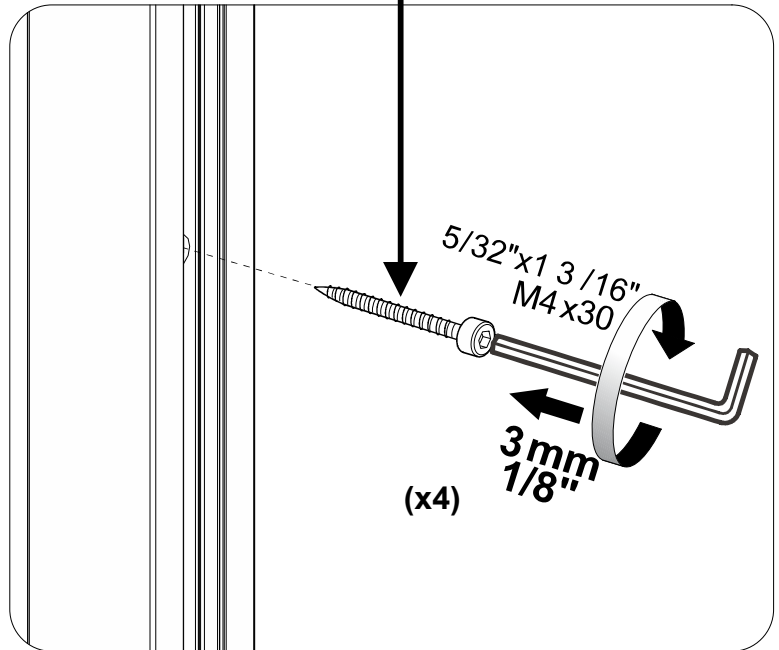


**! Metal screw**

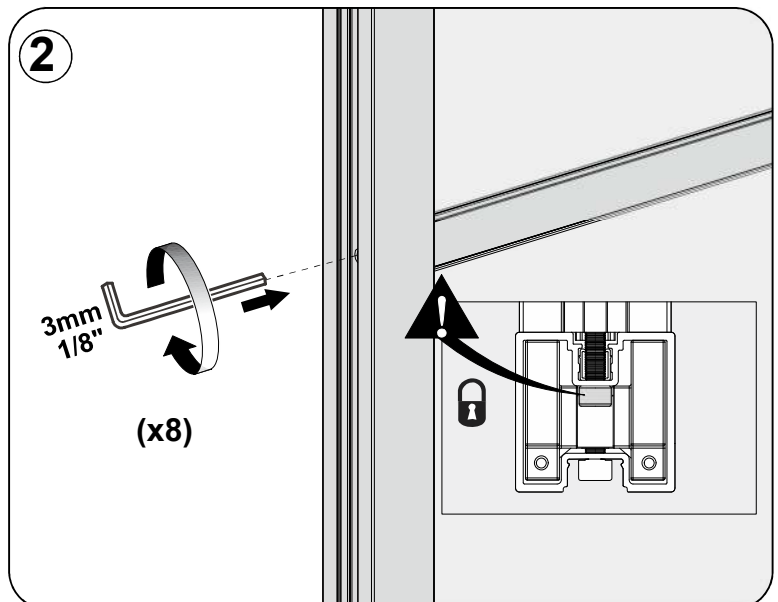
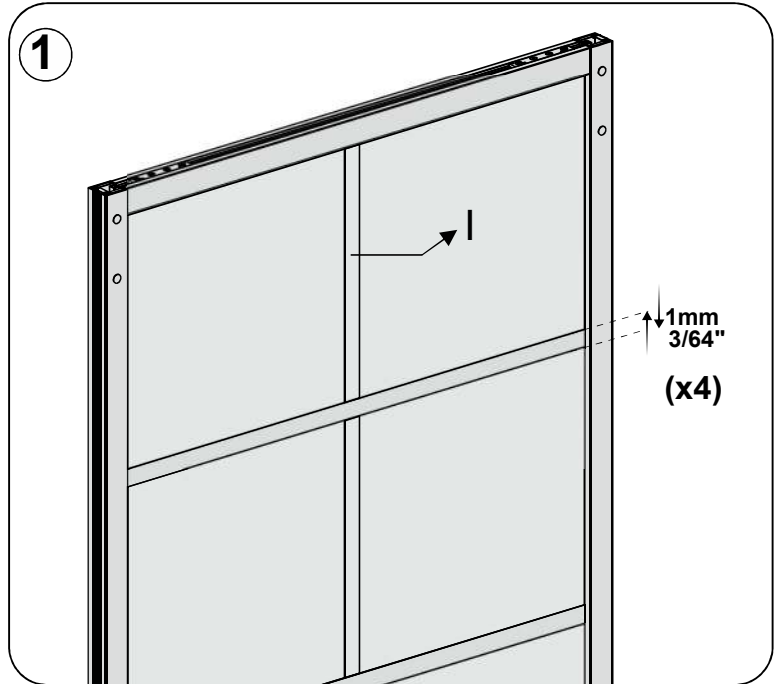
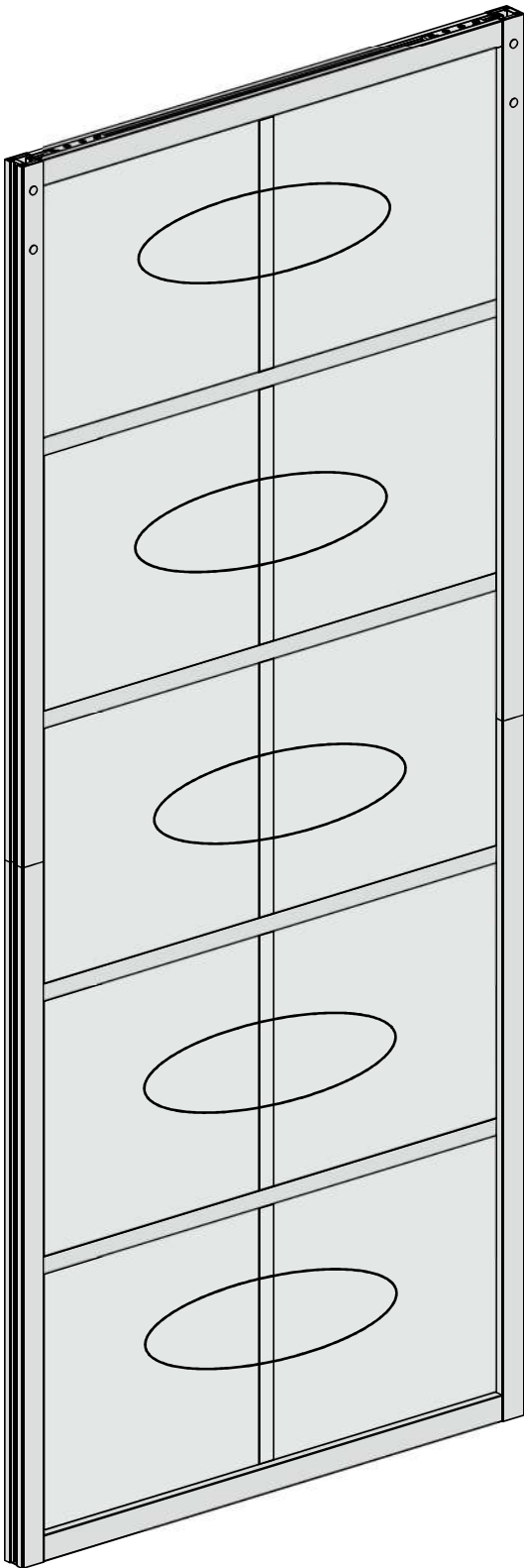
10. As shown in the figure, fix all the frames, but do not lock the screws, it is convenient for later adjustment.



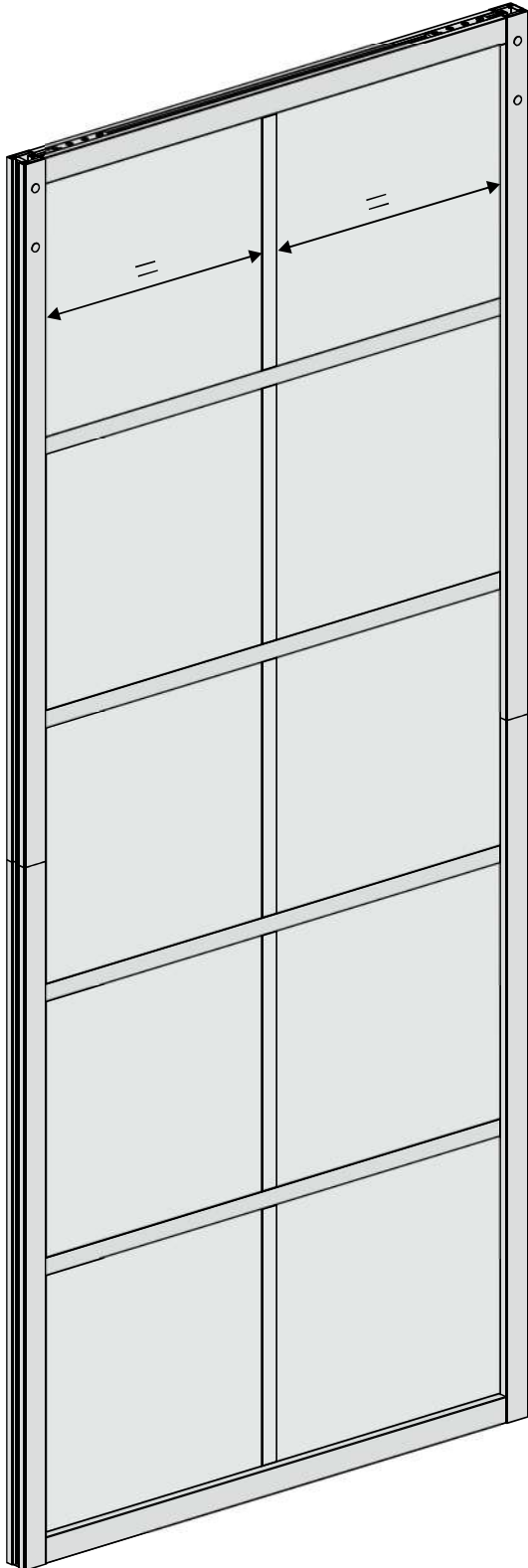
 Metal screw



11. Place the decorative pieces of spacers on both sides of the glass and adjust them to prevail. Then tighten all the frame screws in the previous step to lock the frame.



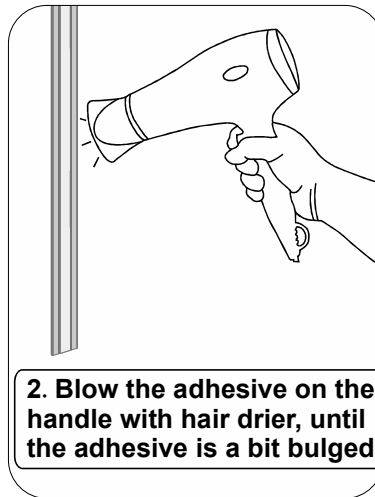
12.As shown in the figure



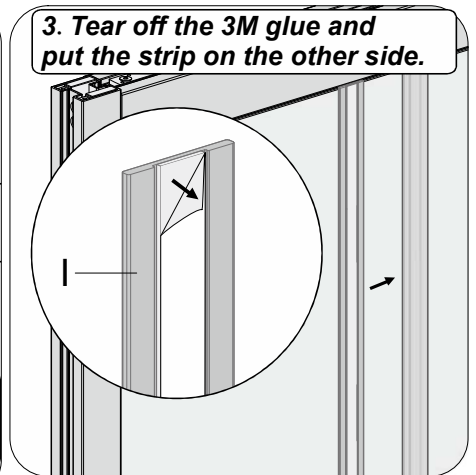
1. Clean the two face of the glass with a bit alcohol.



2. Blow the adhesive on the handle with hair drier, until the adhesive is a bit bulged.



3. Tear off the 3M glue and put the strip on the other side.

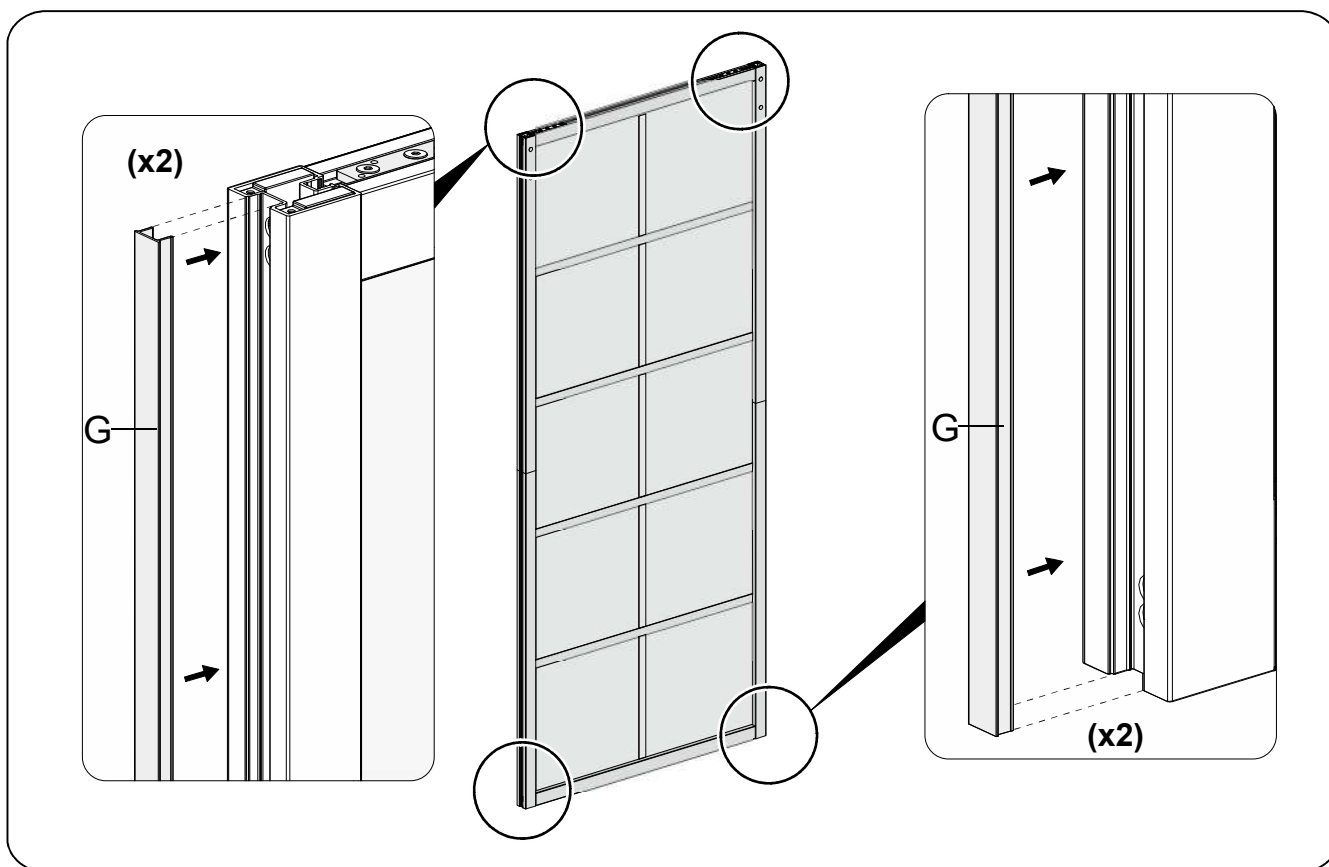


4. Put the two strips on the glass and let them stand for 24 hours before using.

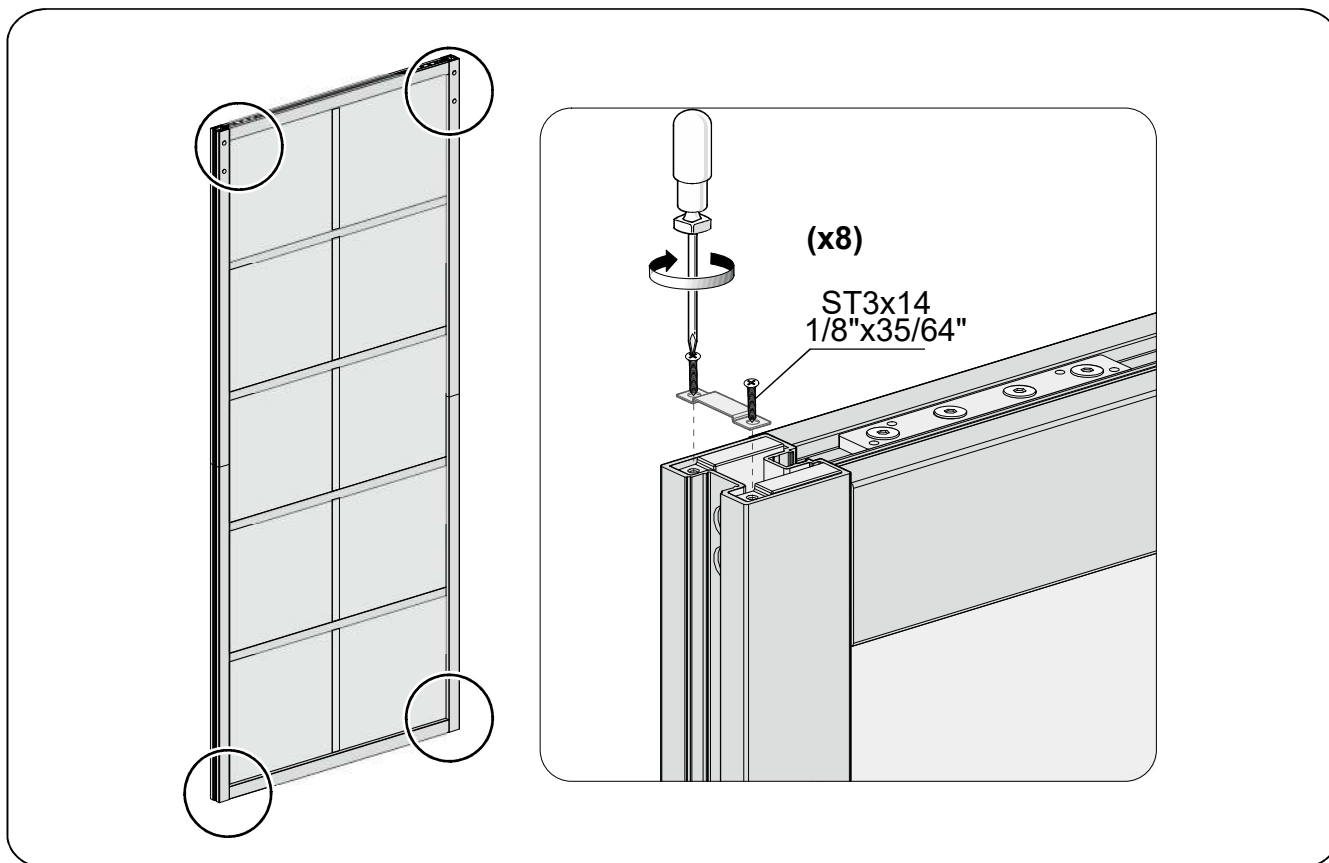


**24H**

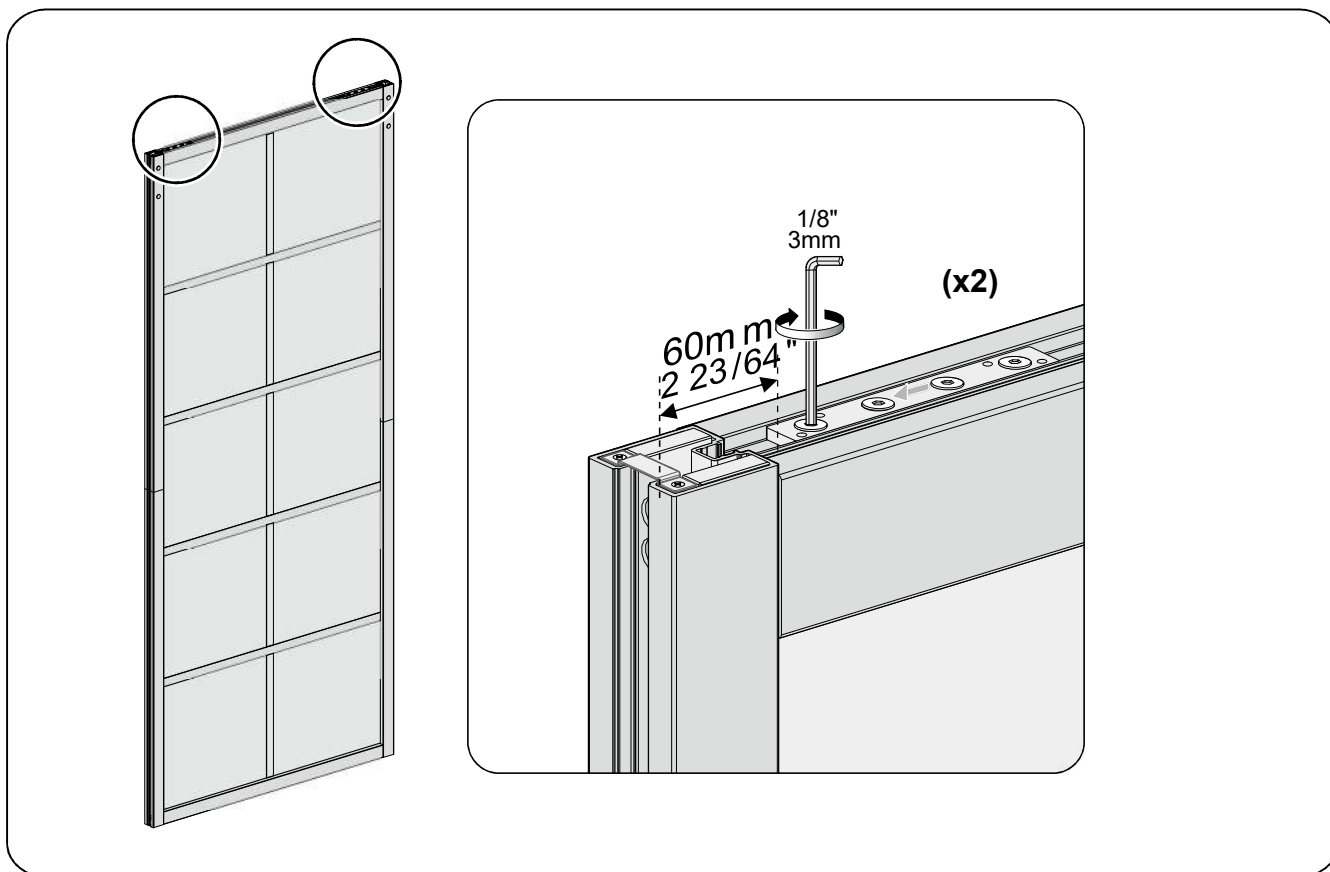
13. Insert the decorative cover buckle into the frame, pay attention to prevent deformation.



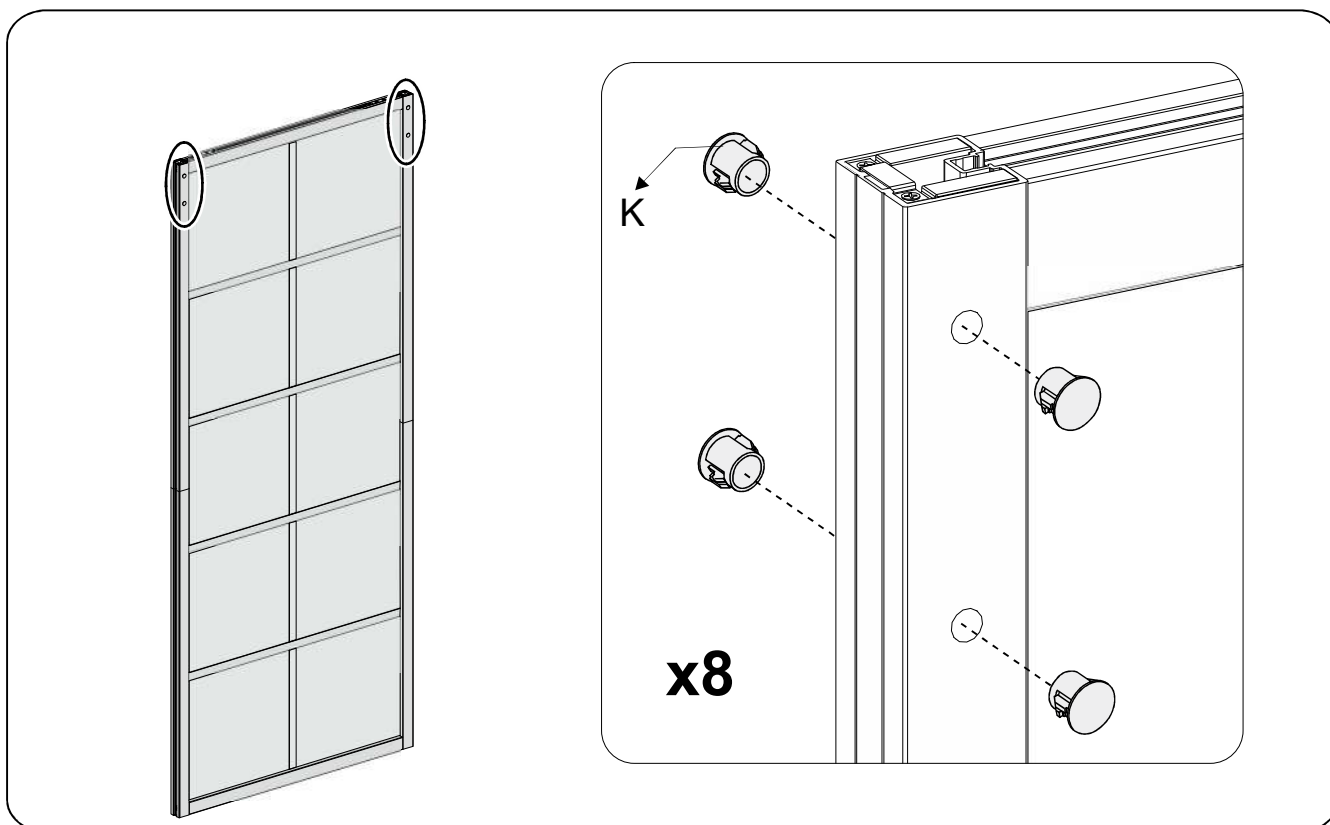
14. As shown in the figure, install the sealing pieces on the four corners of the door.



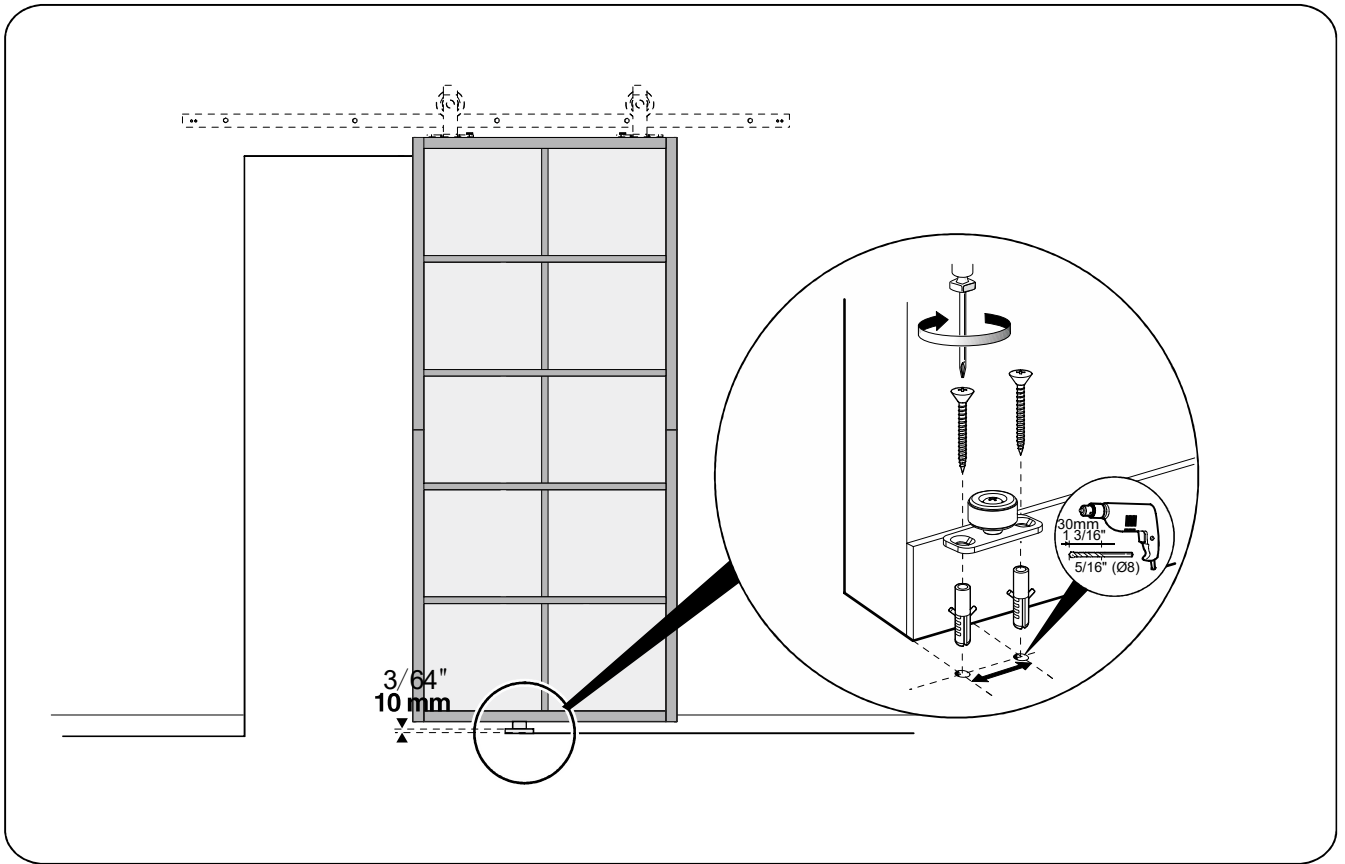
15 Adjust the position of the hanger connector, the distance from the hanger connector to the door is 60mm.



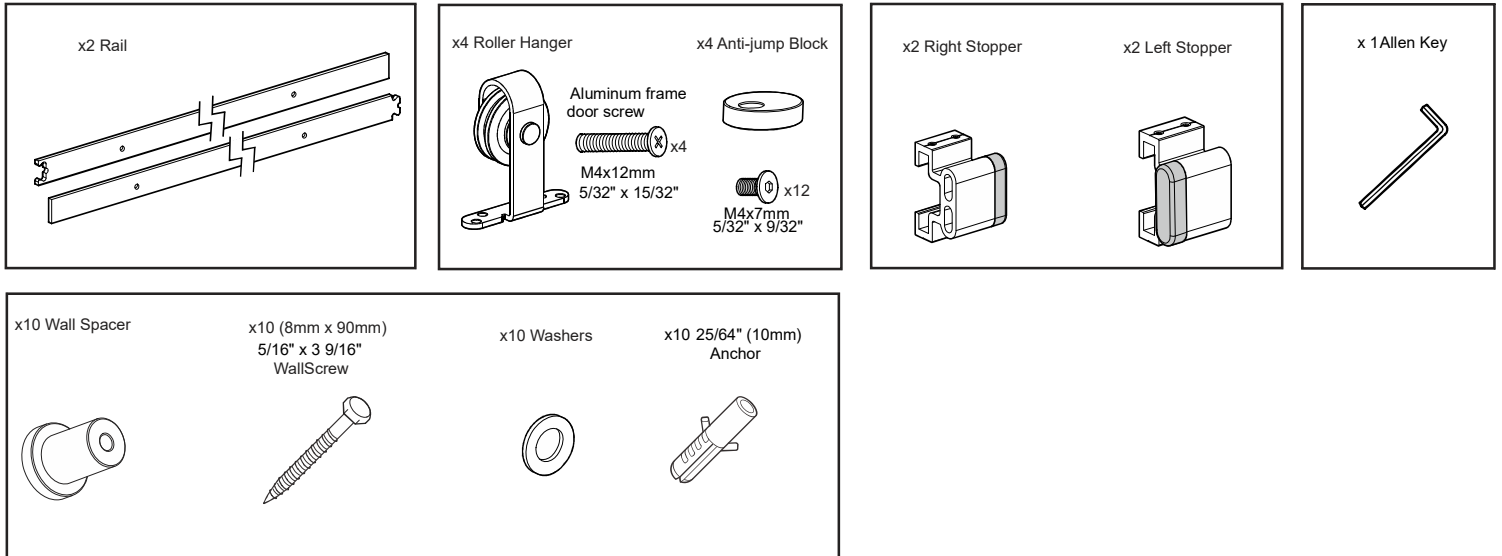
16. Install the decorative cover into the holes on both sides of the door (if you use a top-mounted hanger, buckle the decorative cover; if you use side-mounted hanger, don't need the decorative cover).



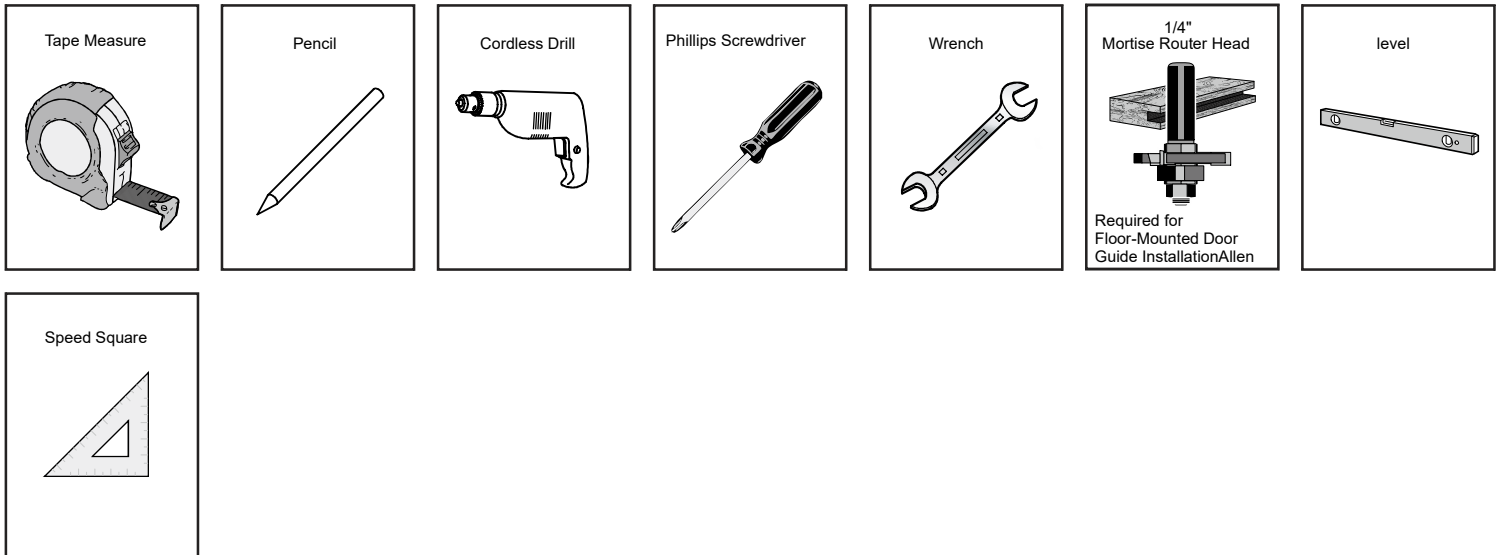
17. Install the floor guide, pay attention to keep the distance between the door and the ground 10mm.



## Main Components



## Tools Required

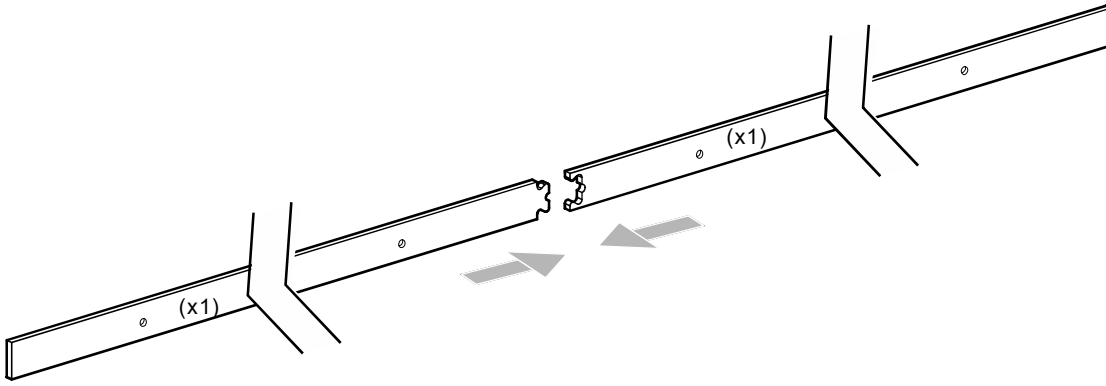


## IMPORTANT: BEFORE YOU BEGIN

IF INSTALLING DIRECTLY INTO A NON-CONCRETE WALL, DO NOT ATTEMPT TO INSTALL THE RAIL SOLELY TO THE DRYWALL OR ANY WALL SURFACE AS THIS MAY NOT SUPPORT THE WEIGHT OF THE RAIL AND MOUNTED DOOR. THE RAIL MUST BE INSTALLED ONTO A PIECE OF SOLID WOOD BLOCKING (PACKAGE NOT INCLUDED) USING MOUNTING SCREWS (PACKAGE NOT INCLUDED). ENSURE THE SOLID WOOD BLOCKING IS SECURED INTO THE STRUCTURAL SURFACE. USE A STUD FINDER WHERE NECESSARY TO LOCATE STUDS AND SECURE SAFELY. TYPICAL SOLID WOOD BLOCKING SHOULD BE 81 3/4" x 5 1/2" x 7/8".

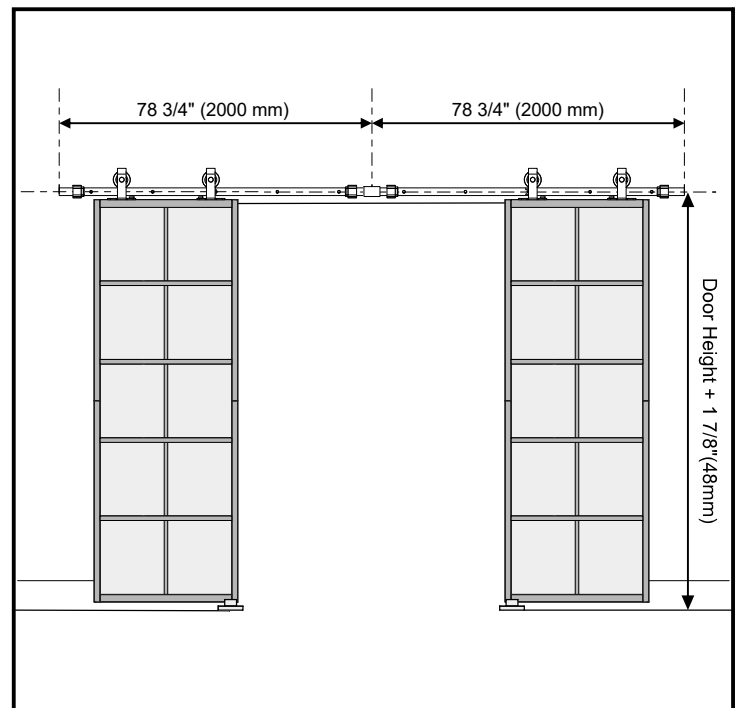
NOTE, SEPARATE BOLTS ARE PROVIDED FOR 13/8" DOORS AND LONGER BOLTS PROVIDED FOR 13/4" DOORS. IF INSTALLING WITH THE INTERNAL FLOOR-MOUNTED DOOR GUIDE, THE DOOR MUST BE MORTISED 1/4" WIDE X 3/4" DEEP CENTRALLY.

**Kindly reminder: Connect the two pieces of the rail before installing**



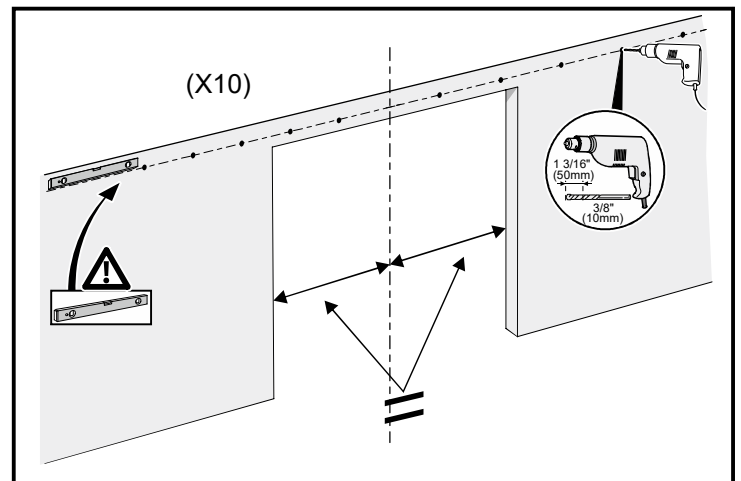
### Step 1. CONCRETE Wall Preparation1

Position the rail by measuring up from the door height (H) + 1 11/16" to the centre of the track. Also ensure a gap of 3/8" - 1/2" at the bottom. Ensure the rail is level and leave a minimum of 2" from the end of the rail to the side of the opening.



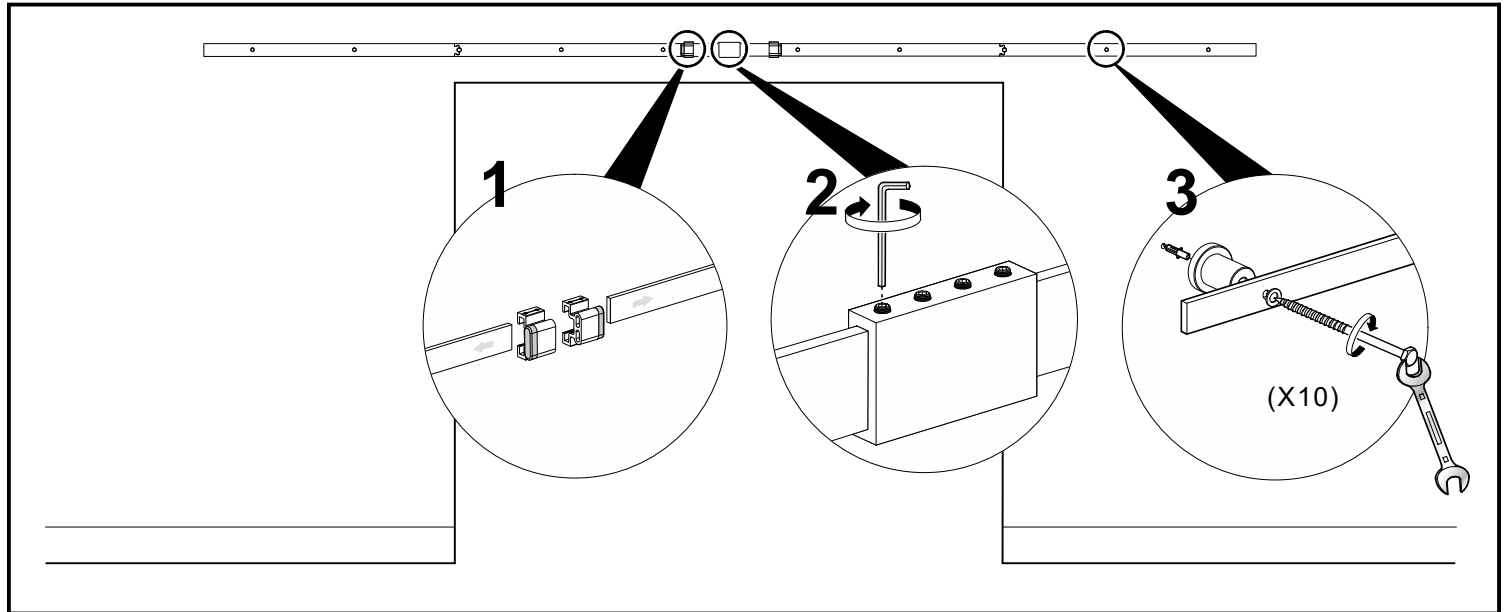
### Step 2. CONCRETE Wall Preparation2

Position the rail in place ensuring that it is level, mark the holes on the rail using a pencil and pre-drill 3/16" holes into the concrete.



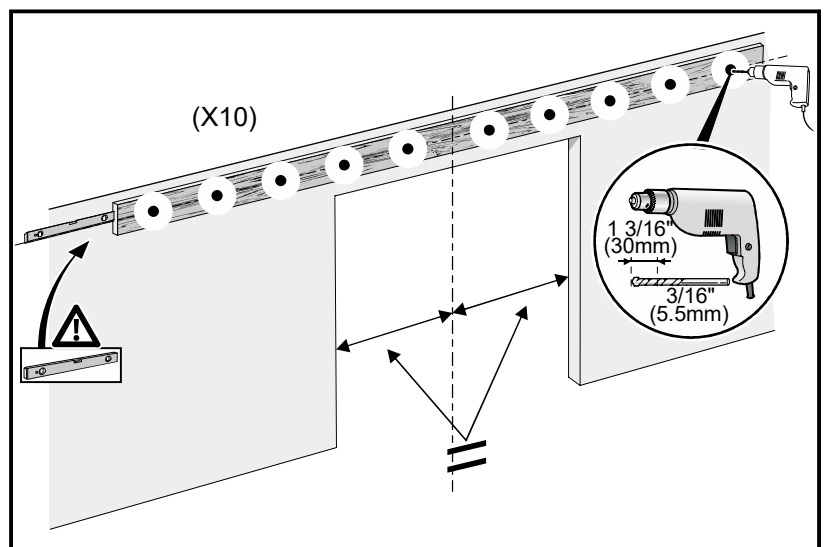
### Step 3. CONCRETE Rail Installation

When installing directly into concrete, align the spacers to holes, insert using the provided anchors and hex bolts (with washers). Ensure to un-screw to separate the hex bolt and anchor to install correctly, securing with a wrench.



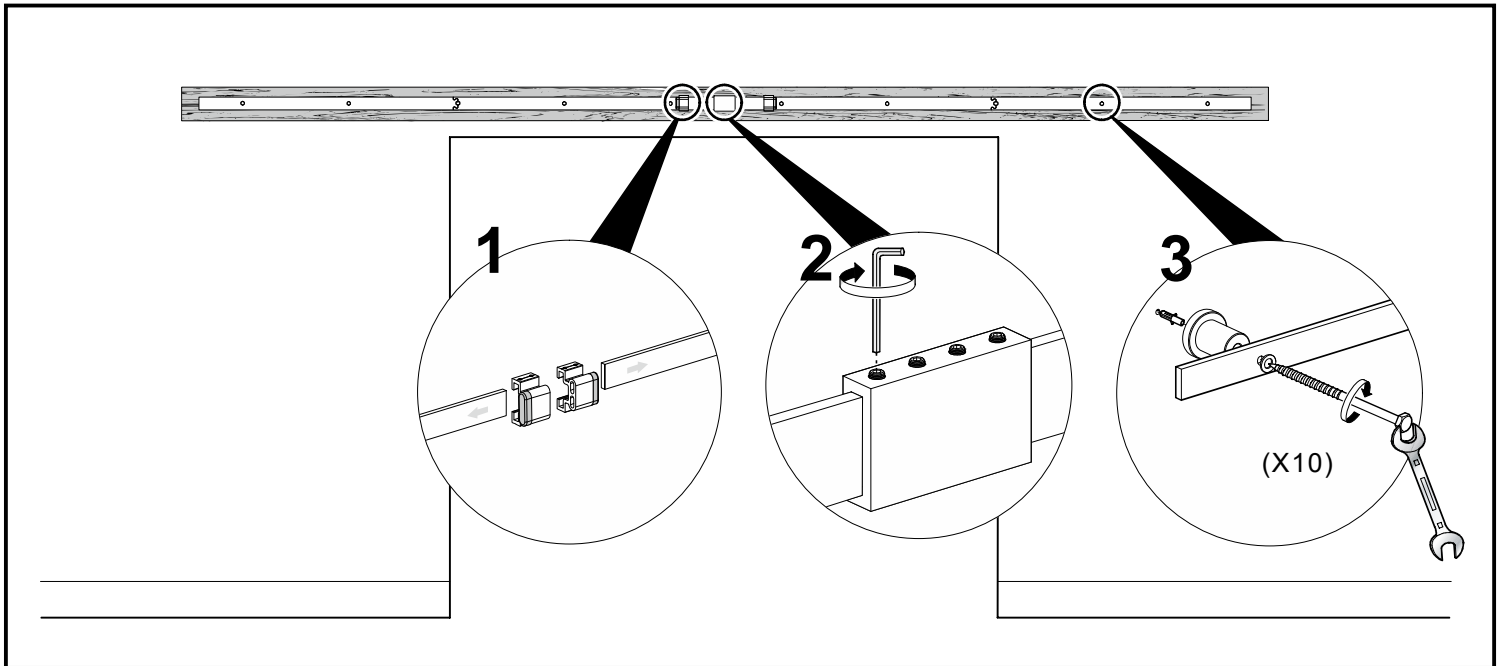
### Step 4. DRYWALL Wall Preparation

Position the rail on top of the wood blocking ensuring levelness, mark the holes using a pencil and pre-drill  $\frac{3}{16}$ " holes into the wood blocking.



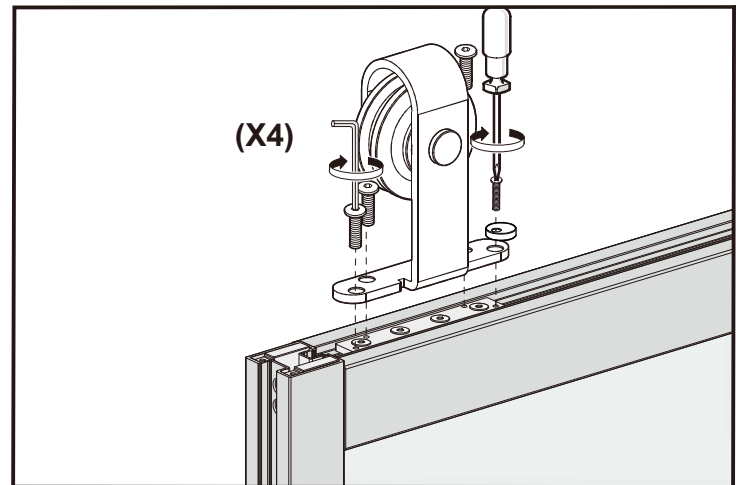
## Step 5. DRYWALL Rail Installation

When installing into the solid wood block and wall, insert using the provided wall screws. Align each spacer to the rail holes, inserting screws (with washers), securing with a wrench.



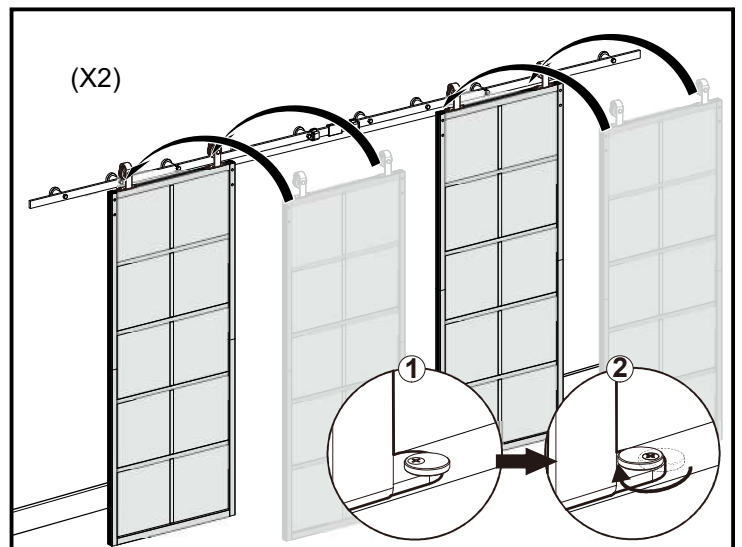
## Step 6. Door and Roller Hanger Preparation

Fixed the hanging wheel on the fixed plate.  
Please fixed 5/32\*9/32 screws on the three reserved holes to connect hanging wheel and door.  
Fixed the 5/32\*15/32 screw to connect anti-jump and hanging wheel and door.



## Step 7. Hanging the Door

Place the assembled door onto the secured rail and tighten



## Step 8. Stopper Installation

Slide the door closed and to correct position of both stoppers. Using the provided Allen key, tighten into position to complete the installation of the Barn Door Kit.

