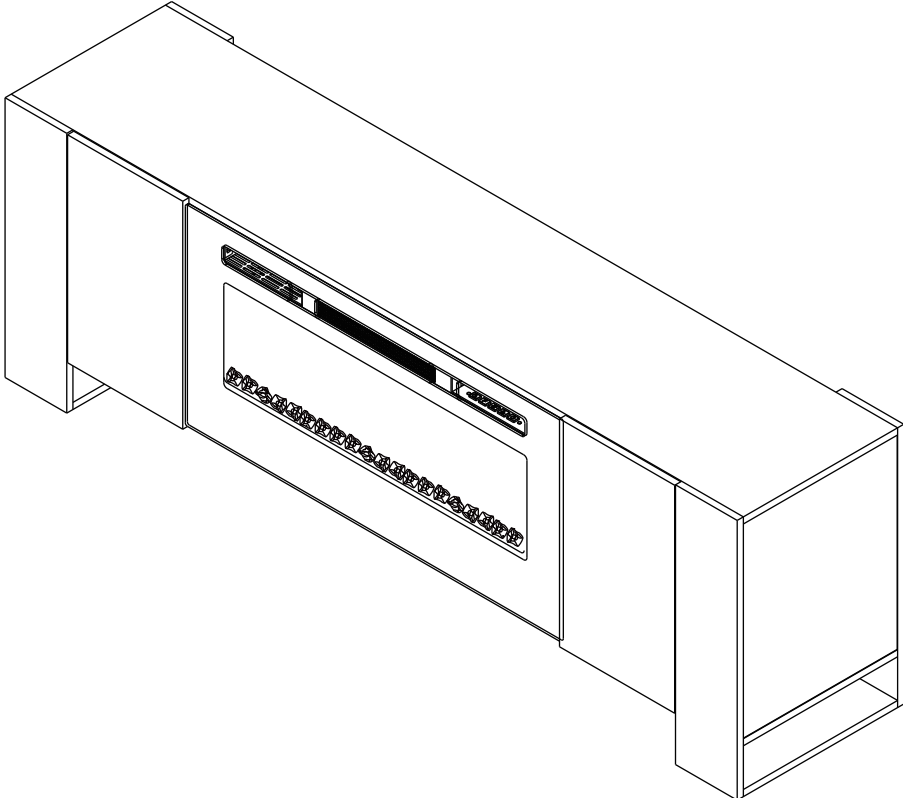
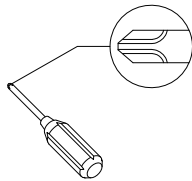


# Instruction Manual

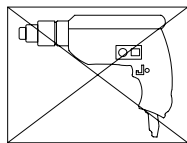


# General Assembly Guidelines

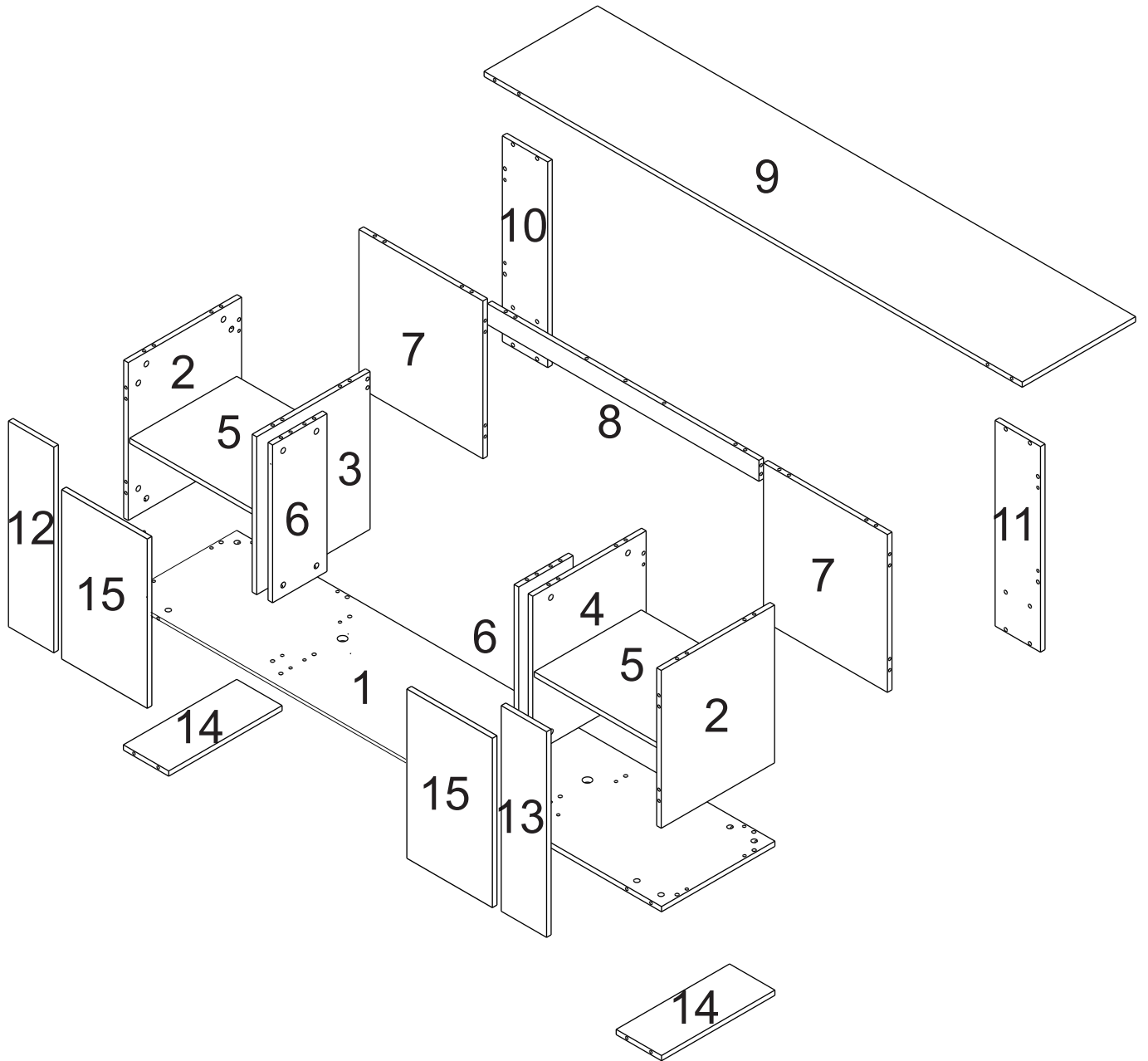
- I. Ensure that all parts and hardware are available before beginning assembly.
- II. Follow each step carefully to ensure the proper assembly of this product.
- III. Two people are recommended for ease in the assembly of this product.
- IV. The four main types of hardware used to assemble this product are: wood dowels, cam bolts and locks, bolts and screws.
- VI. A Phillips head screwdriver is required for the assembly of this product.



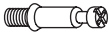


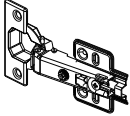



- VII. Power tools should not be used to assemble this product.








# Partes List



## Hardware List

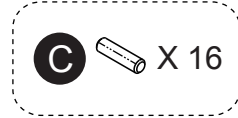
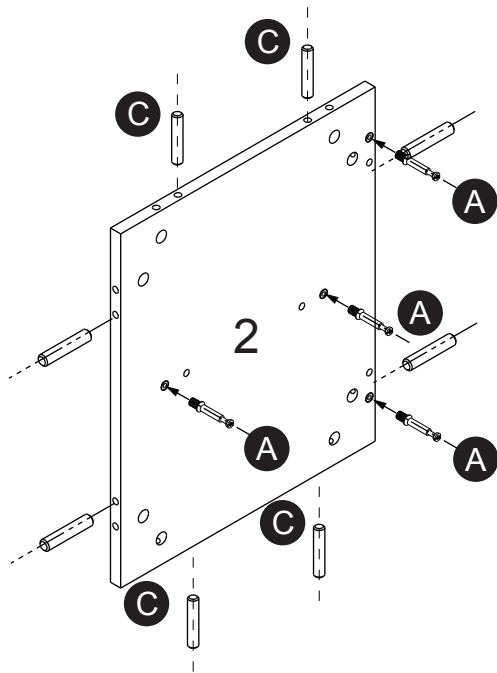
A			Cam lock	87 PCS
B			Cam bolt	87 PCS
C		Ø8x40mm	Wood dowel	60 PCS
D			Hinge	4 PCS
E			Protective Feet	8 PCS
F		Ø4x12mm	Medium screw	28 PCS
G				1 PCS

## Wall mounting kit

PART #	IMAGE	DESCRIPTION	QTY.
AA		Mounting bracket	2
AB		Anchor	2
AC		Nylon strap	1
AD		Flat head screw, Ø4 x 15 mm	2
AE		Flat head screw, Ø4 x 30 mm	2

*The hardware quantities listed above are required for proper assembly.  
Some extra hardware may also have been included.*

## STEP 1

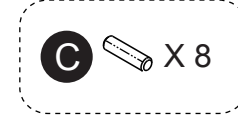
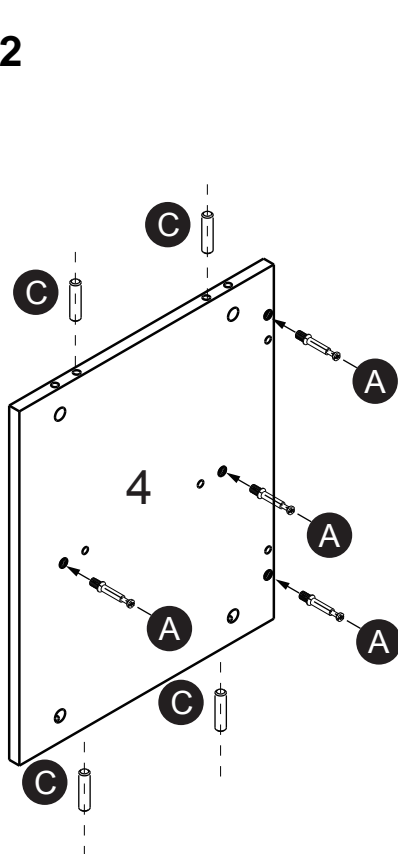


X2

Insert wood dowel(C) into part(2).

Attach male cam lock(A) to part(2).

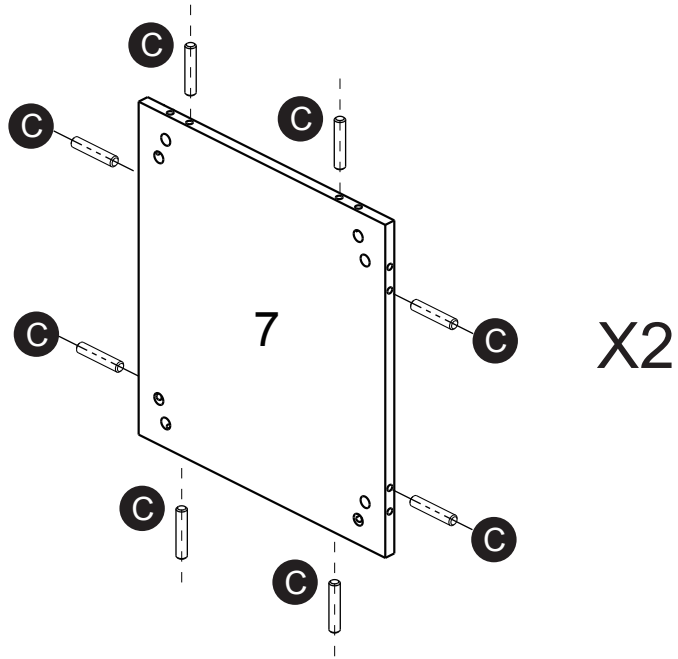
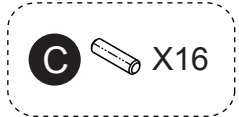
## STEP 2



Insert wood dowel(C) into part(3,4).

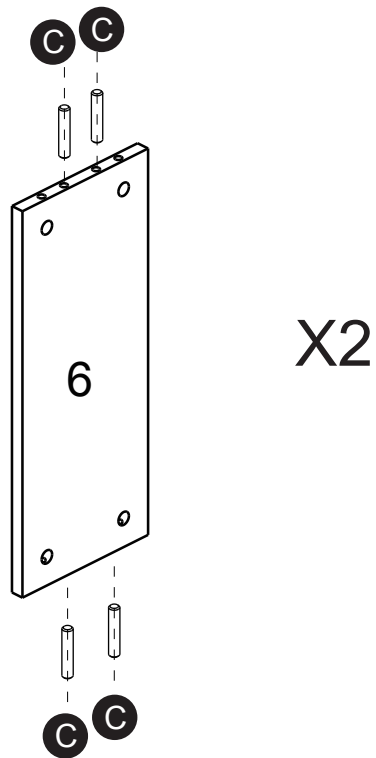
Attach male cam lock(A) to part(3,4).

**STEP 3**



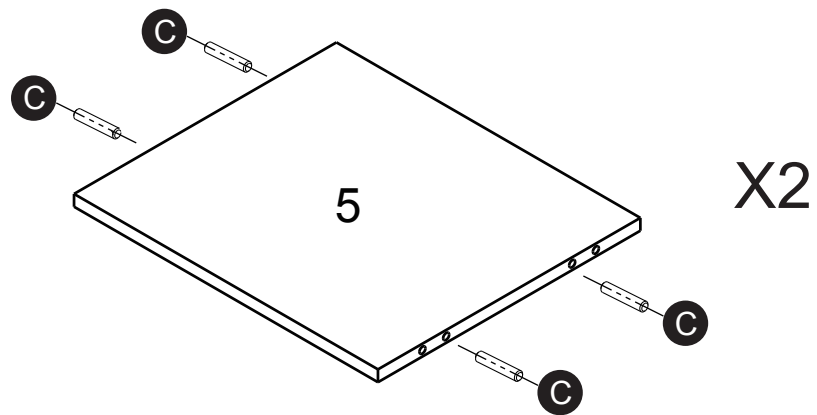
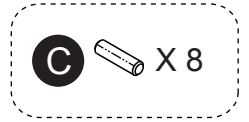
Insert wood dowel(C) into part(7).

**STEP 4**



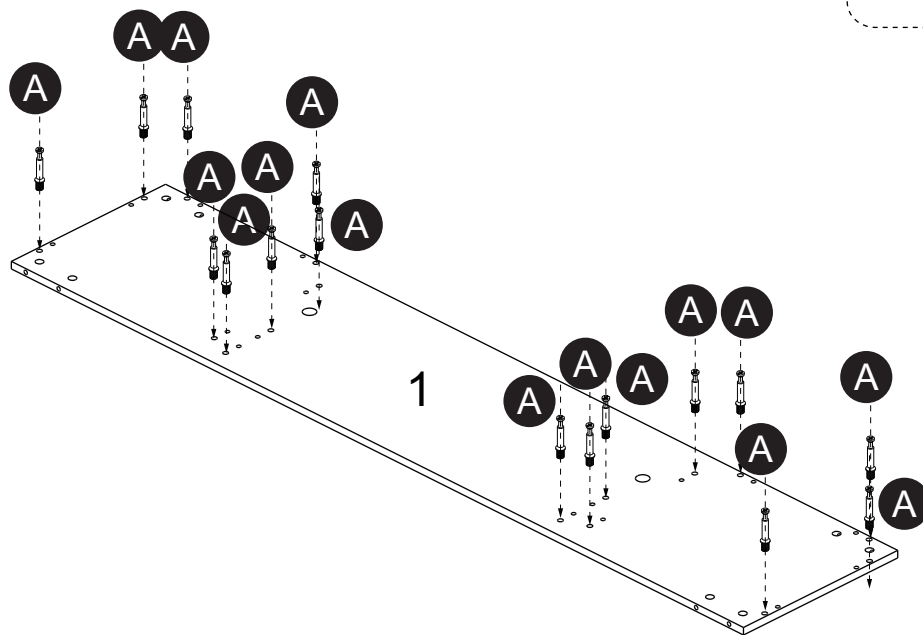
Insert wood dowel(C) into part(6).

## STEP 5



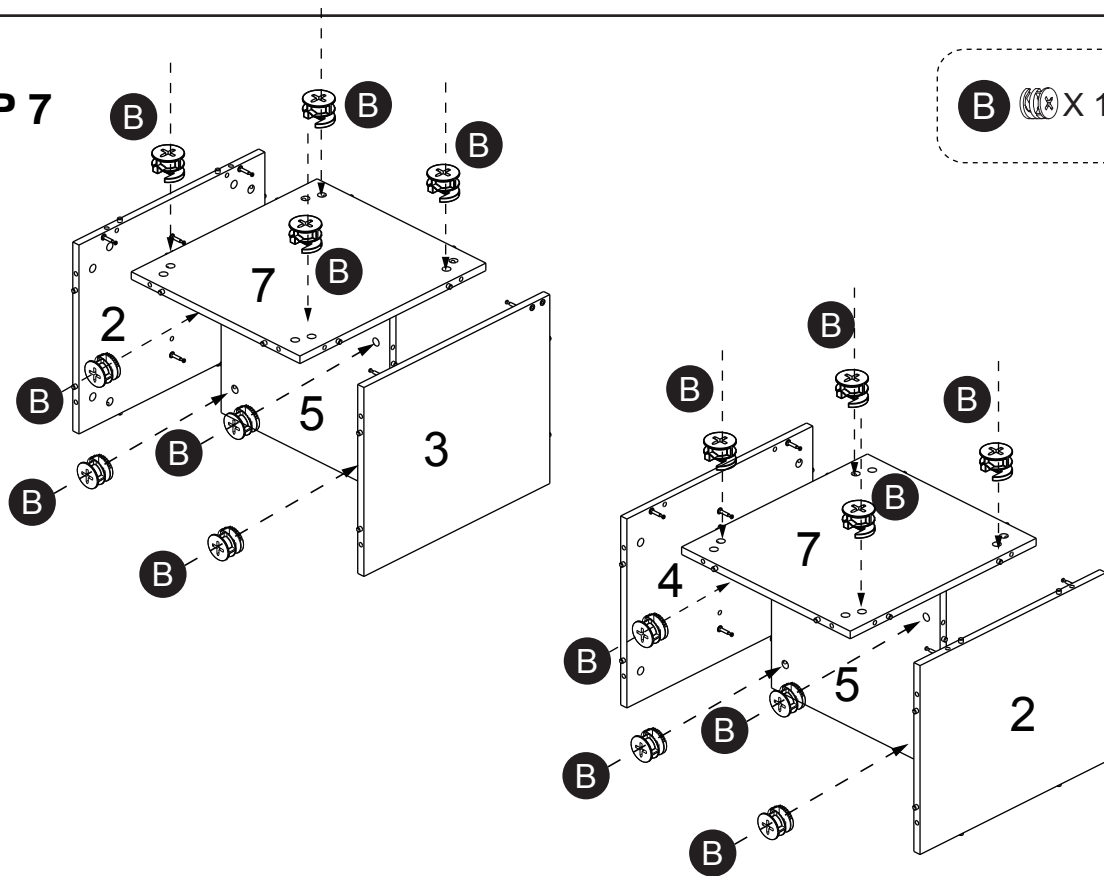
Insert wood dowel(C) into part(5).

## STEP 6



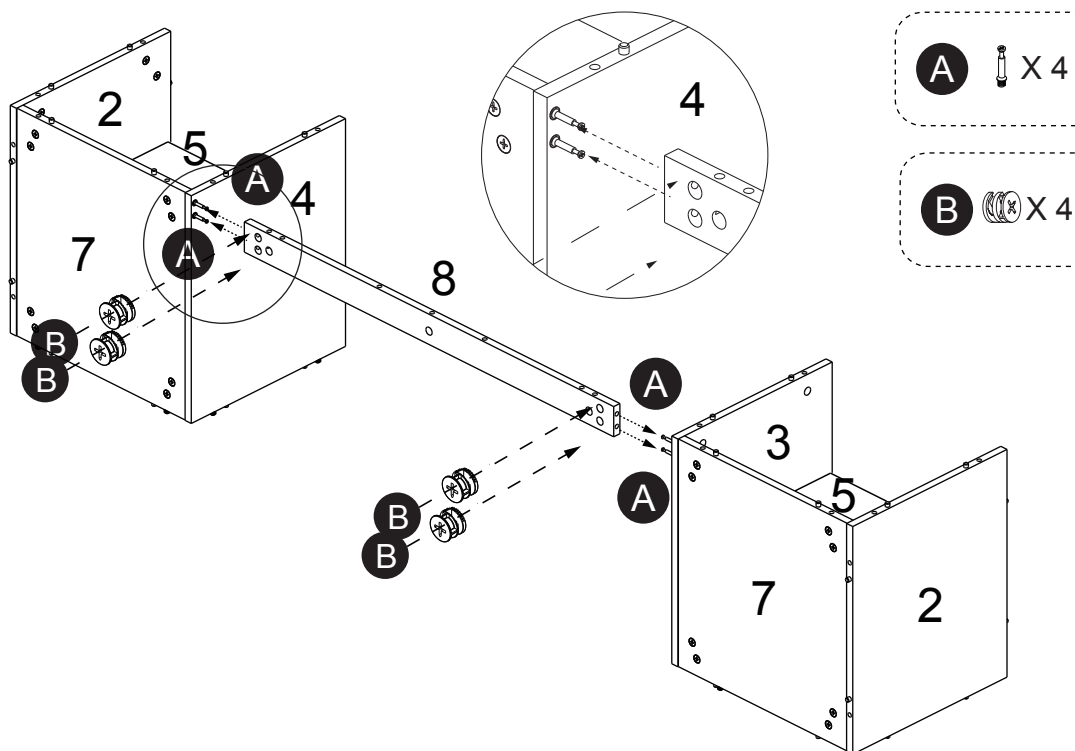
Attach male cam lock(A) to part(1).

### STEP 7



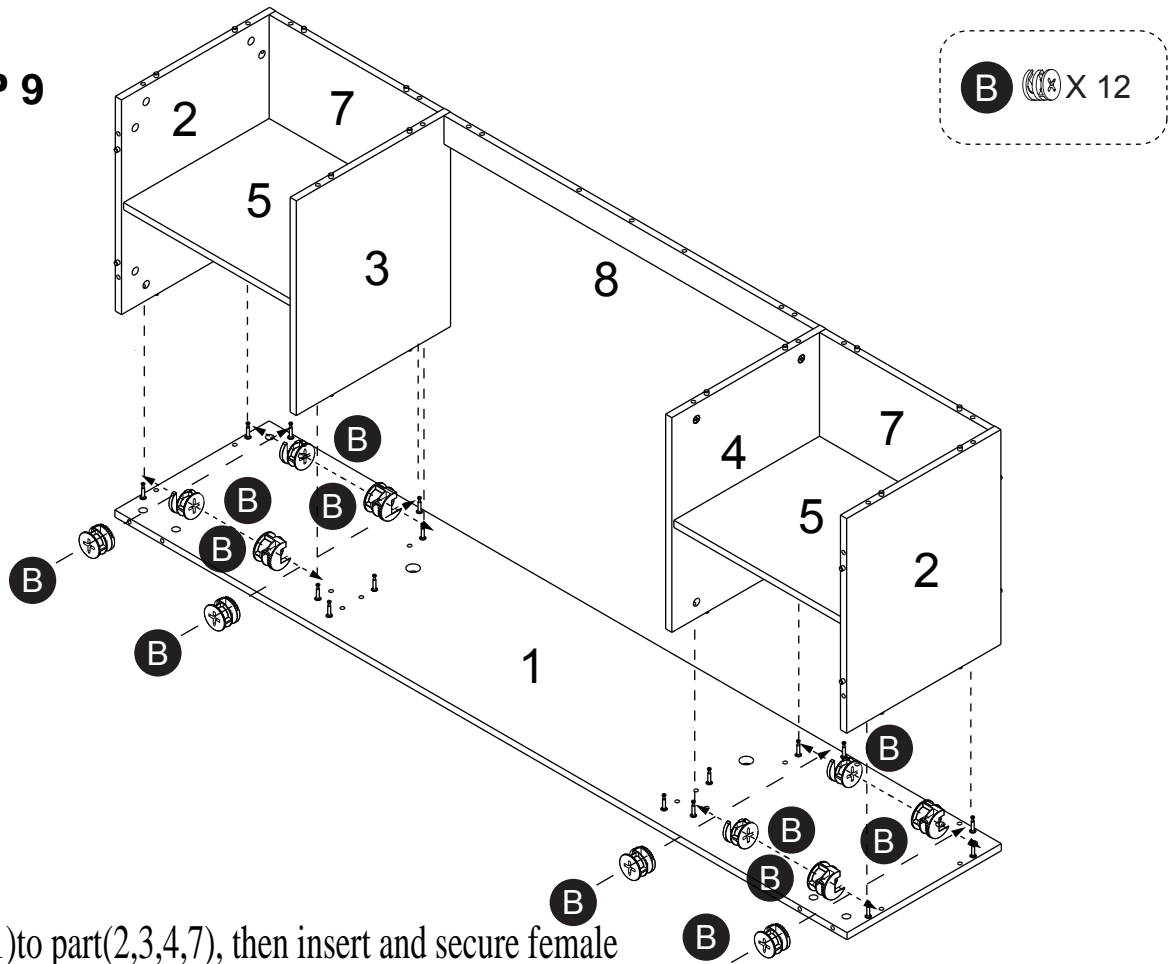
Attach part(2,3,4)to part(5,7), then insert and secure female cam lock(B) to part(5,7) to lock it.

### STEP 8



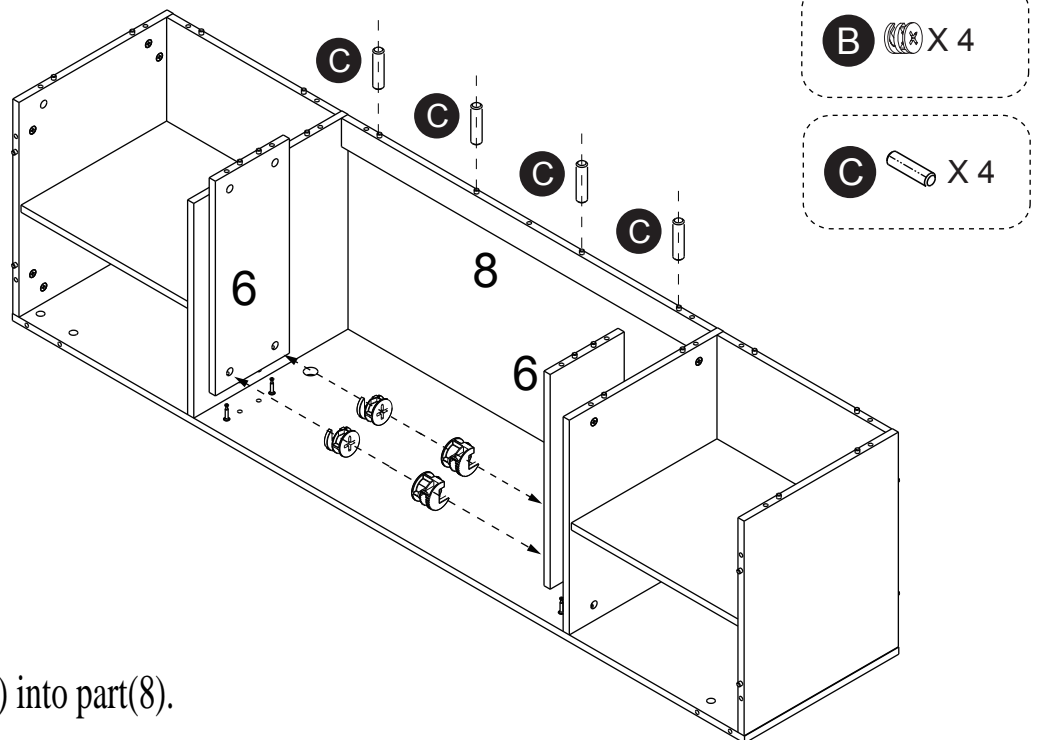
Attach part(8)to part(3,4), then insert and secure female cam lock(B) to part(8) to lock it.

## STEP 9



Attach part(1)to part(2,3,4,7), then insert and secure female cam lock(B) to part(2,3,4,7) to lock it.

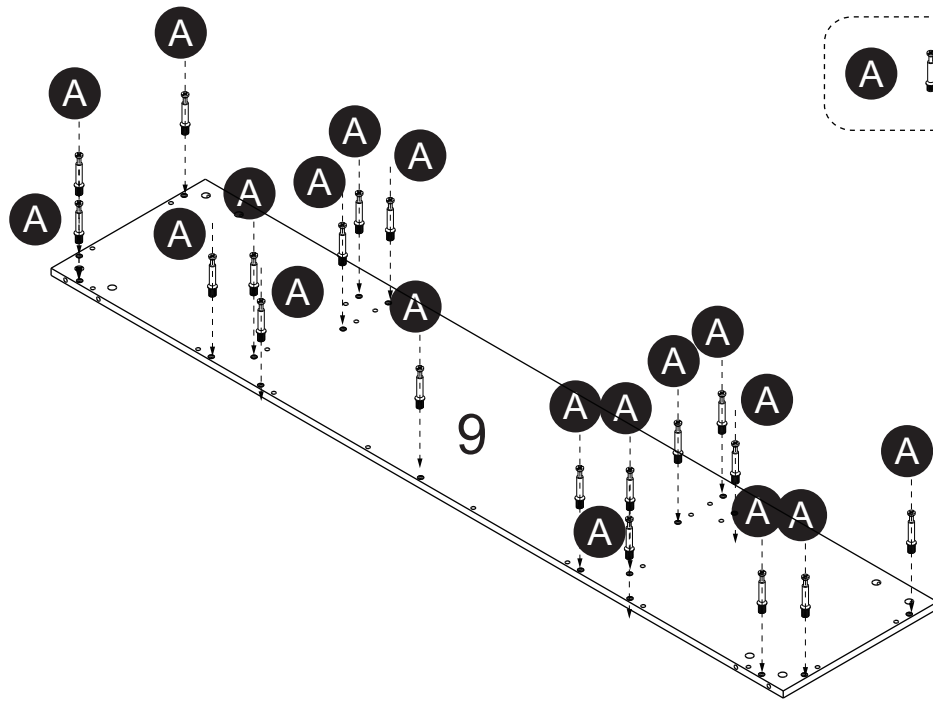
## STEP 10



Insert wood dowel(C) into part(8).

Attach part(6)to part(1), then insert and secure female cam lock(B) to part(6) to lock it.

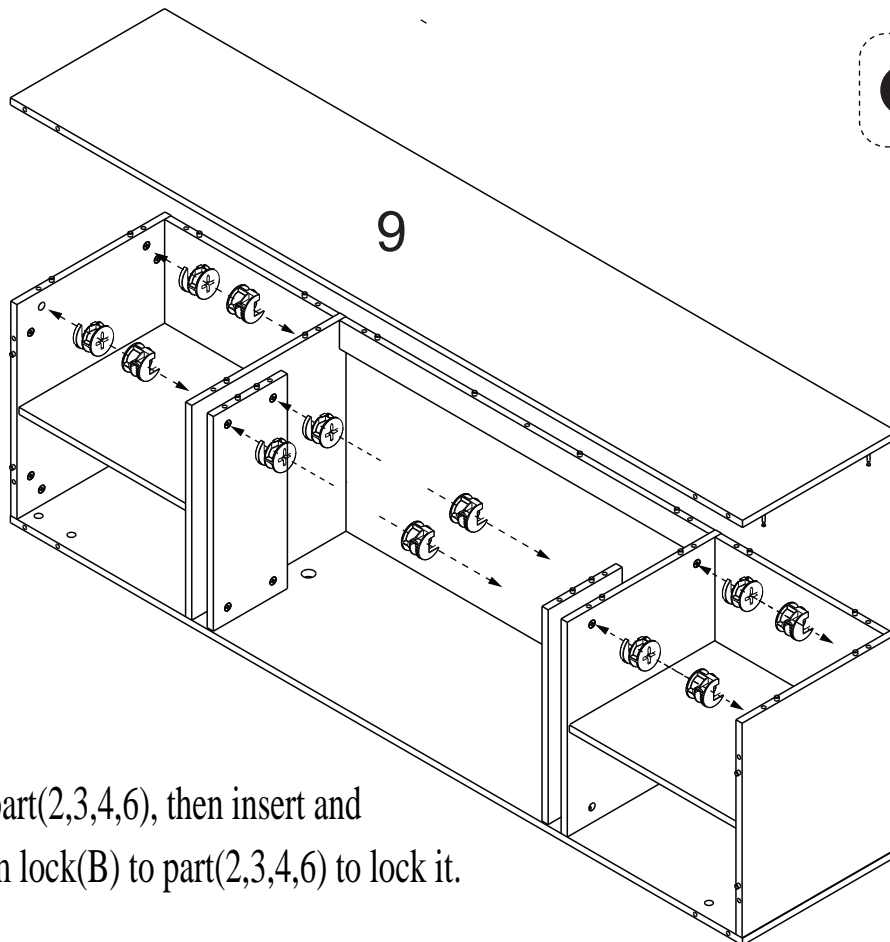
**STEP 11**



**A**  X19

Attach male cam lock(A) to part(9).

**STEP 12**

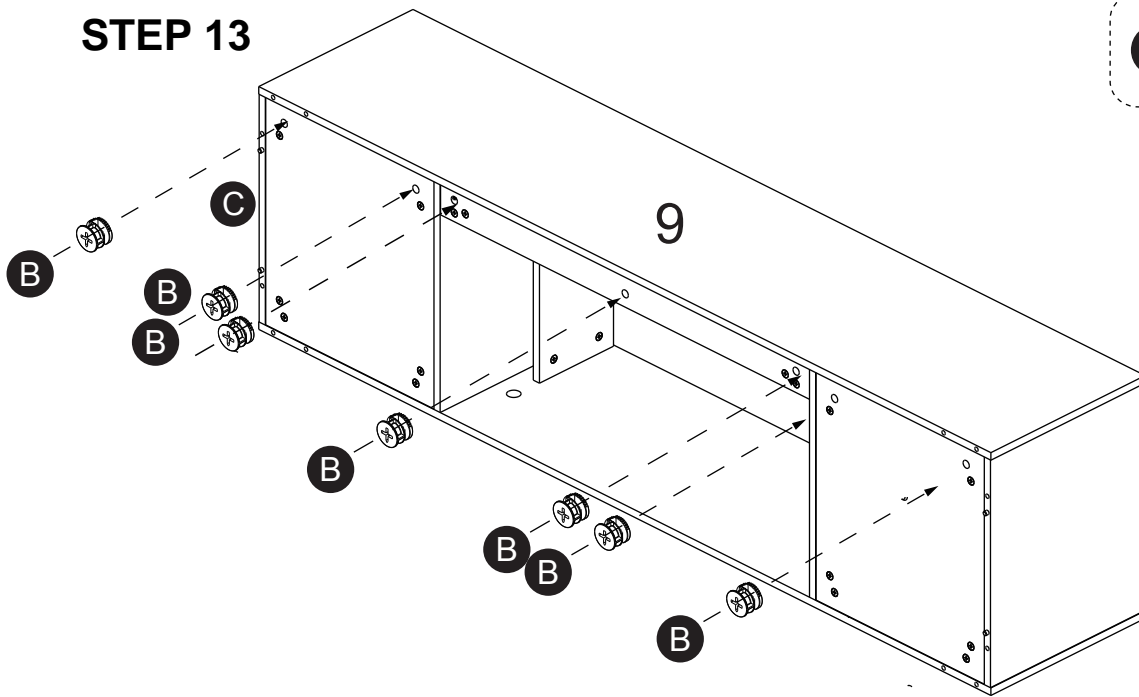


**B**  X 12

Attach part(9)to part(2,3,4,6), then insert and secure female cam lock(B) to part(2,3,4,6) to lock it.

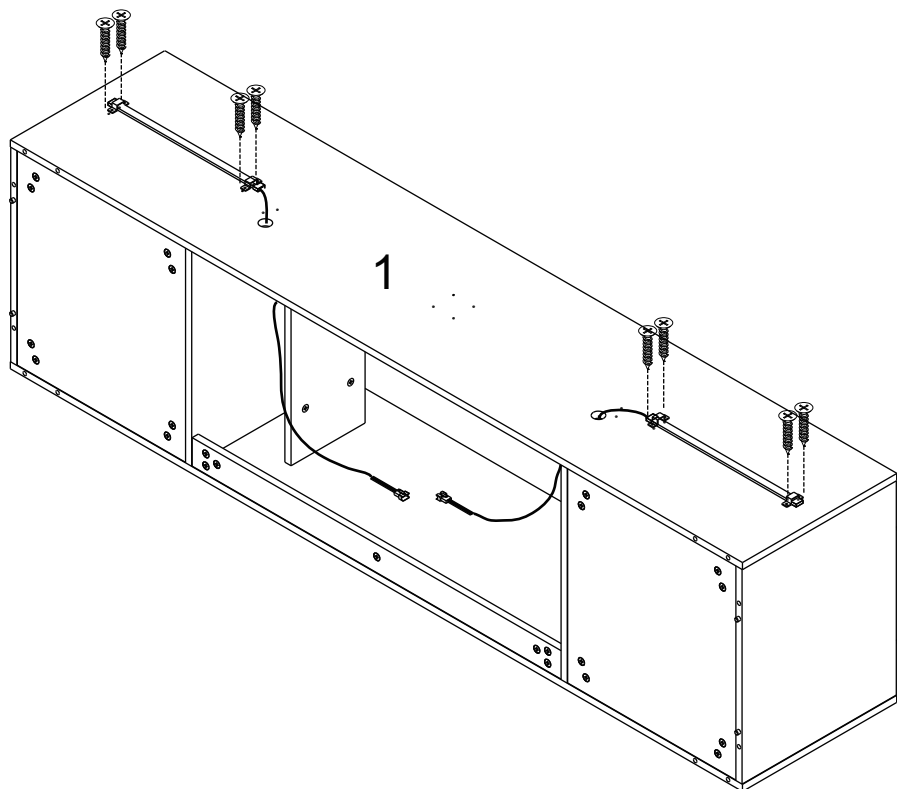
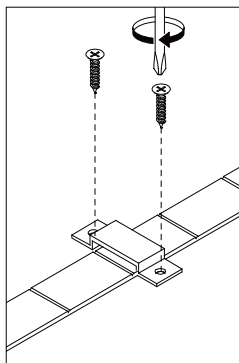
### STEP 13

**B**  X7



Secure female cam lock(B) to part(7,8) to lock it.

### STEP 14

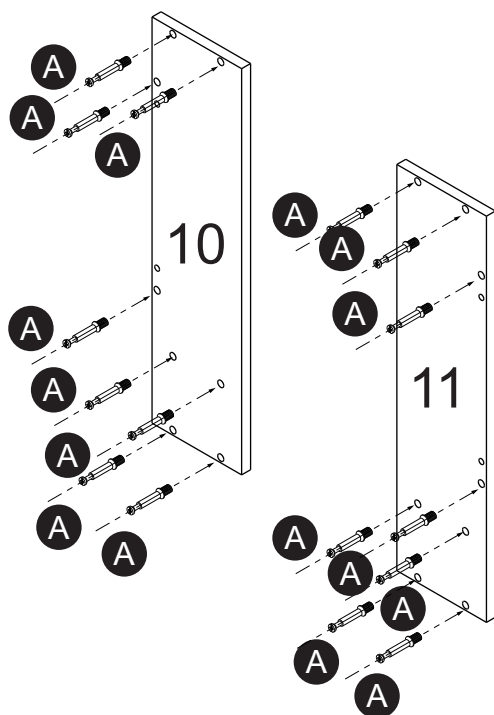


Attach LED lights to part (1)

Note: you can find buckles and screws in the box of the fireplace

## STEP 15

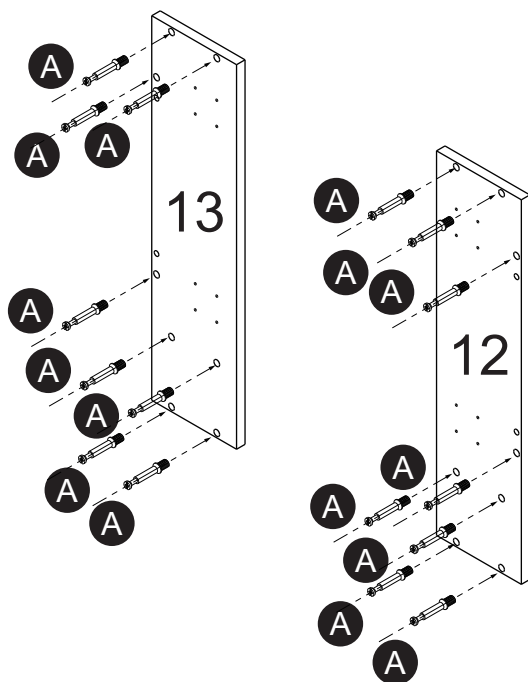
A  X 16



Attach male cam lock(A) to part(10,11).

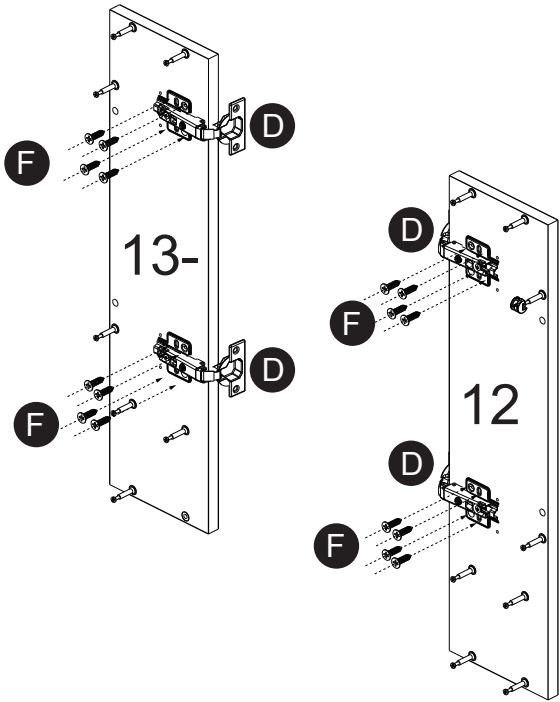
## STEP 16

A  X 16



Attach male cam lock(A) to part(12,13).

**STEP 17**

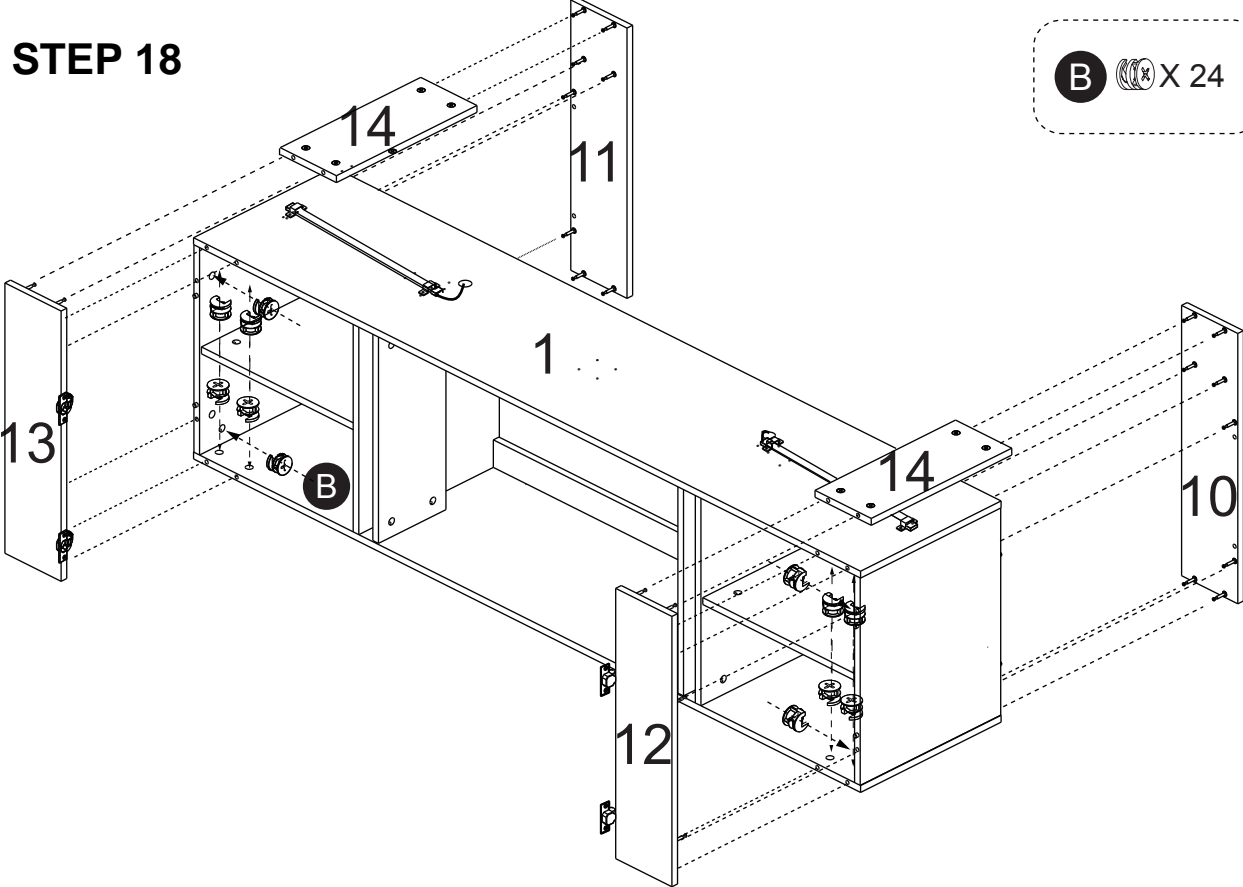


**F** X 16

**D** X 4

Attach hinge(D) to part(12,13) using screw(F) with a screwdriver.

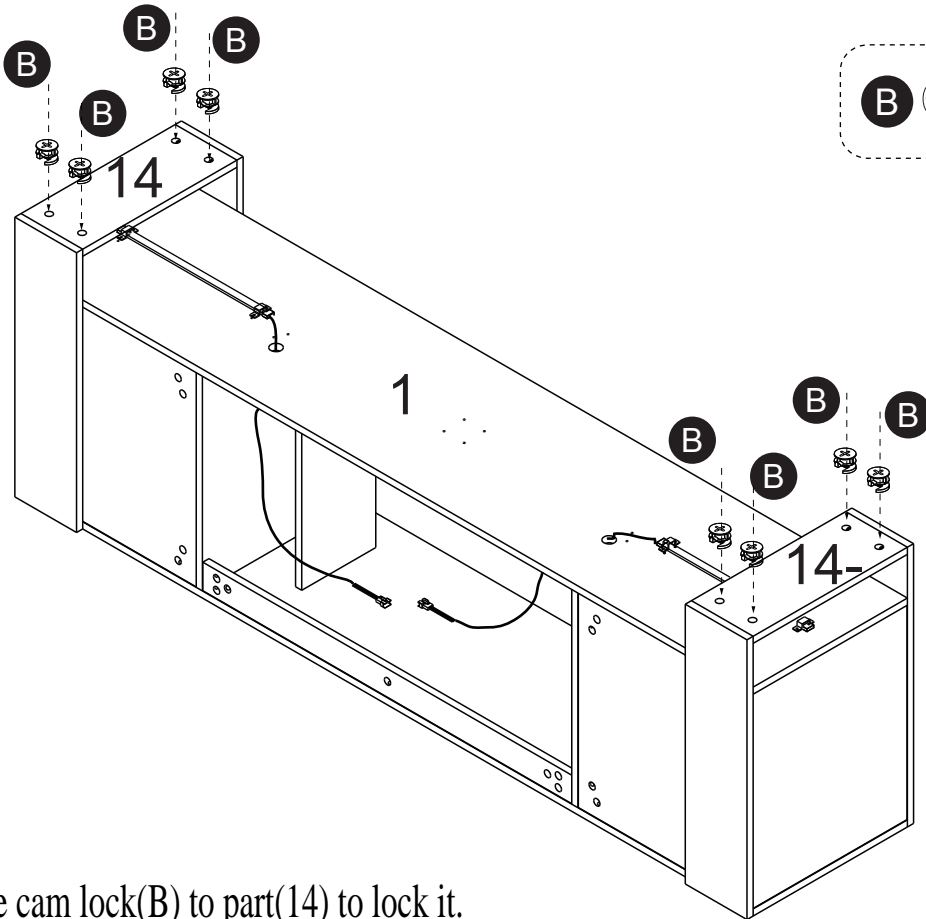
**STEP 18**



**B** X 24

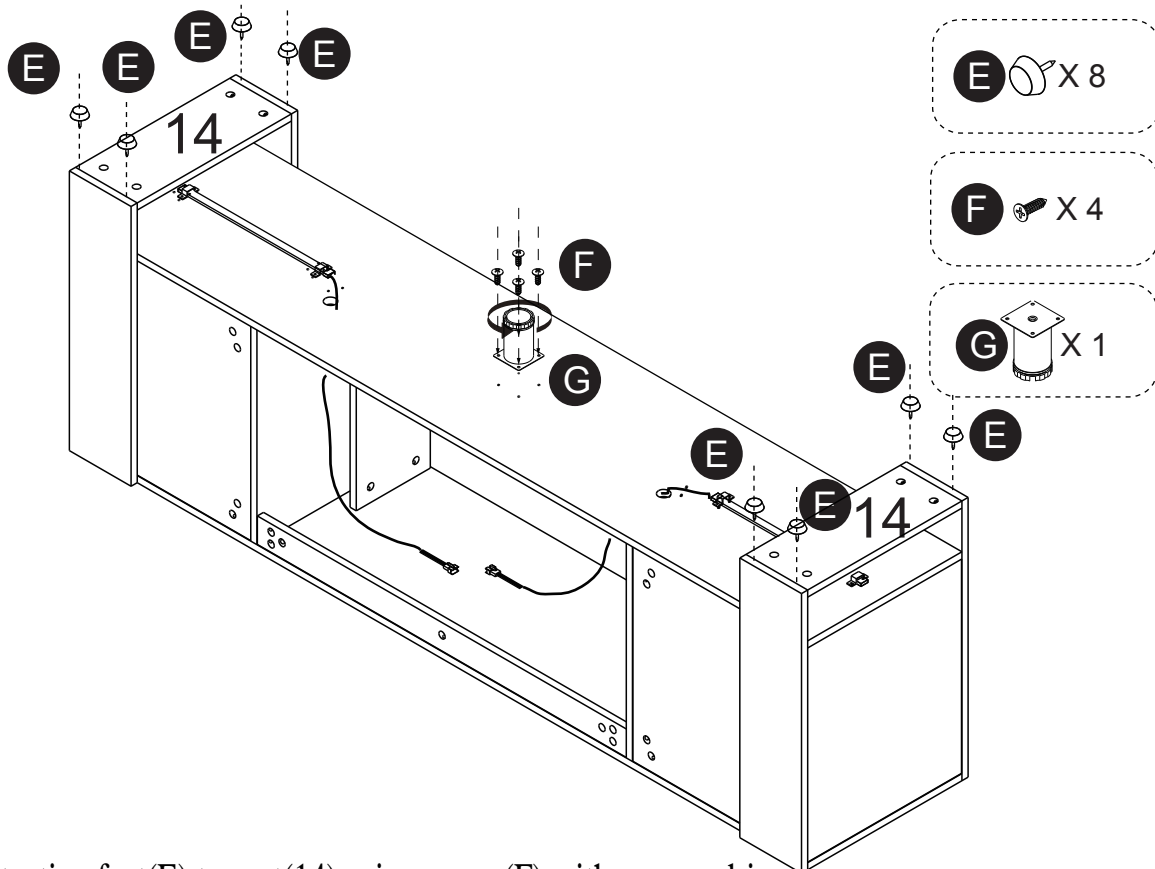
Attach part(10,11,12,13)to part(1,2,9,14), then insert and secure female cam lock(B) to part(1,2,9) to lock it.

### STEP 19



Secure female cam lock(B) to part(14) to lock it.

### STEP 20

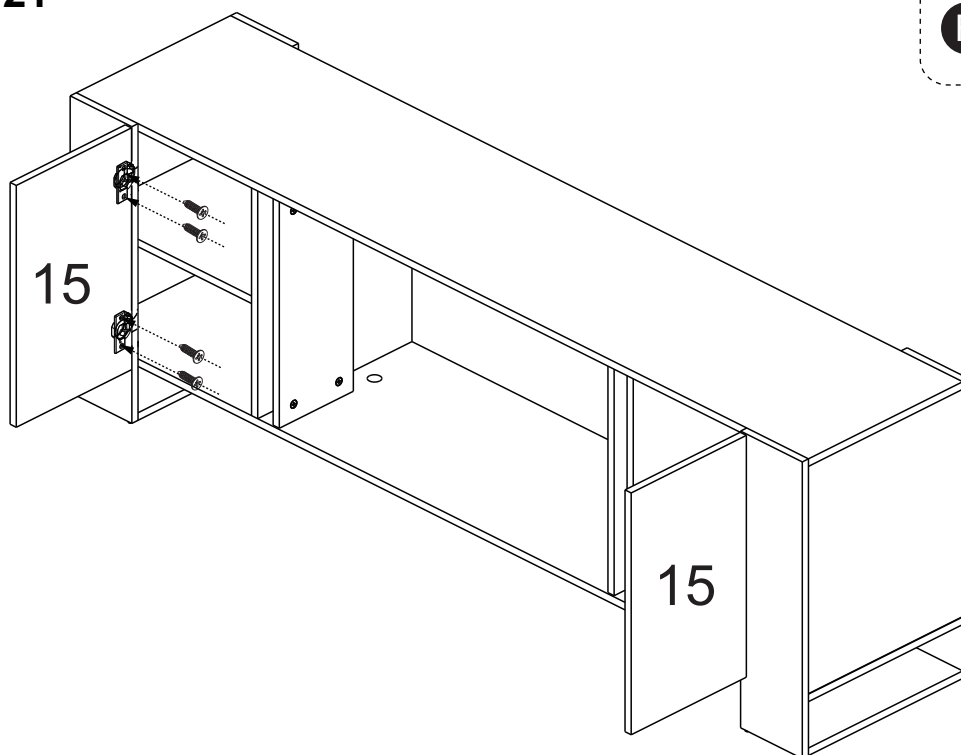


Attach protective feet(E) to part(14) using screw(F) with a screwdriver.

Attach feet(G) to part(1) using screw(F) with a screwdriver, the height of feet adjustable.

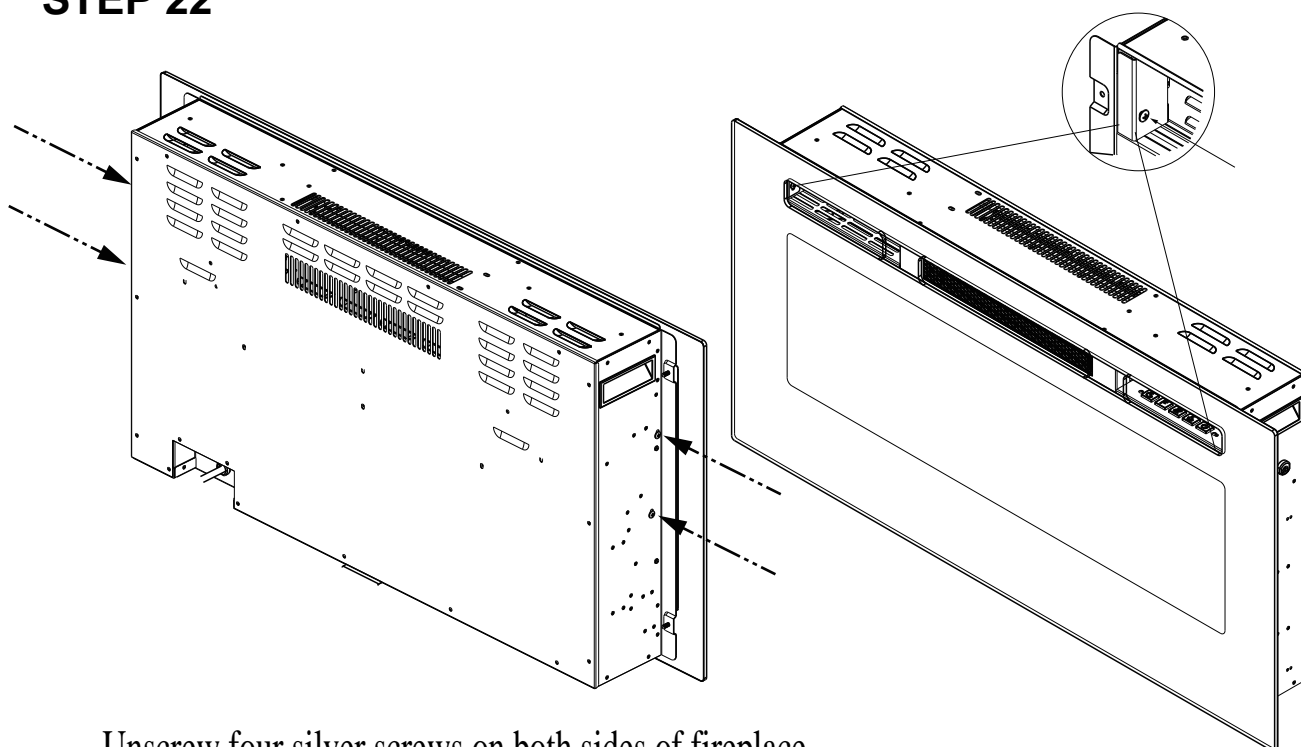
## STEP 21

F X 8



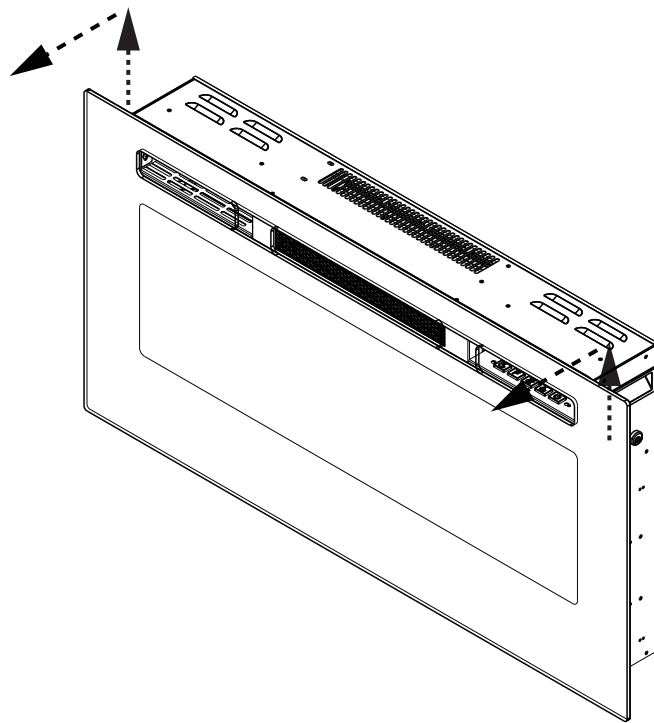
Attach hinge(D) to part(15) using screw(F) with a screwdriver.

## STEP 22



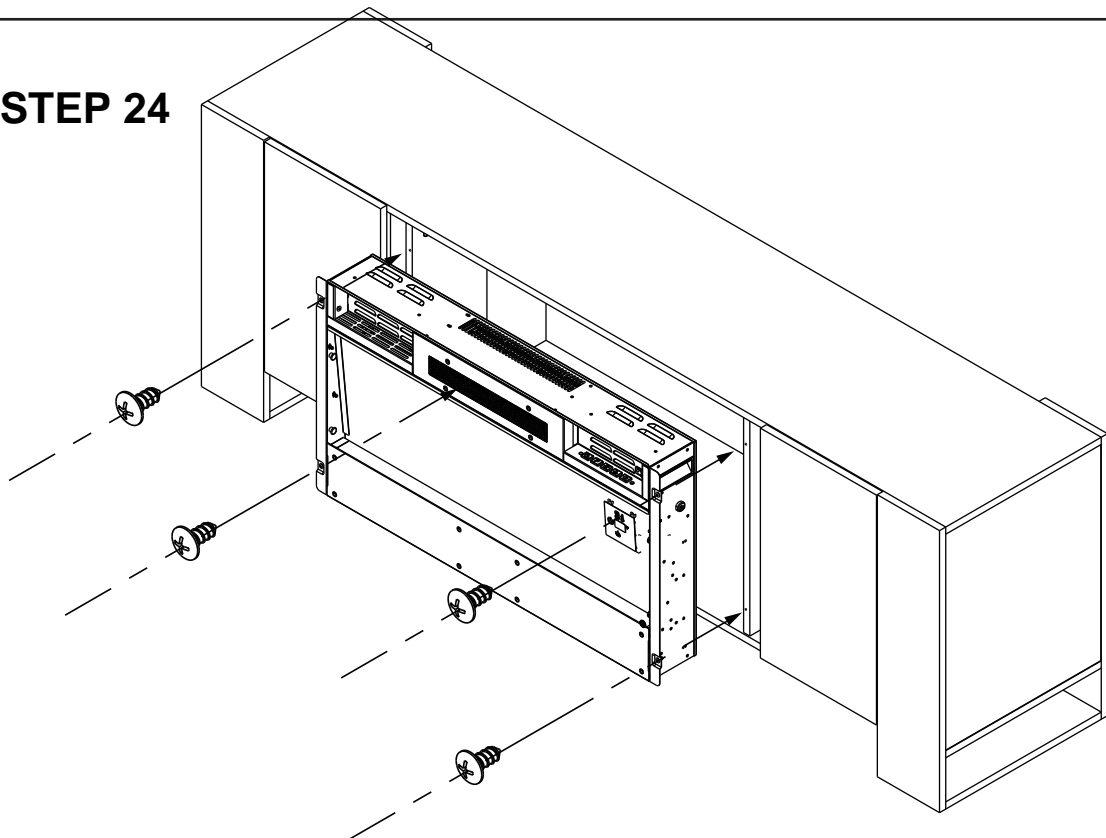
Unscrew four silver screws on both sides of fireplace and unscrew two screws on the front of fireplace.

## STEP 23



Carefully remove the front glass, and place it on a soft and clean surface.

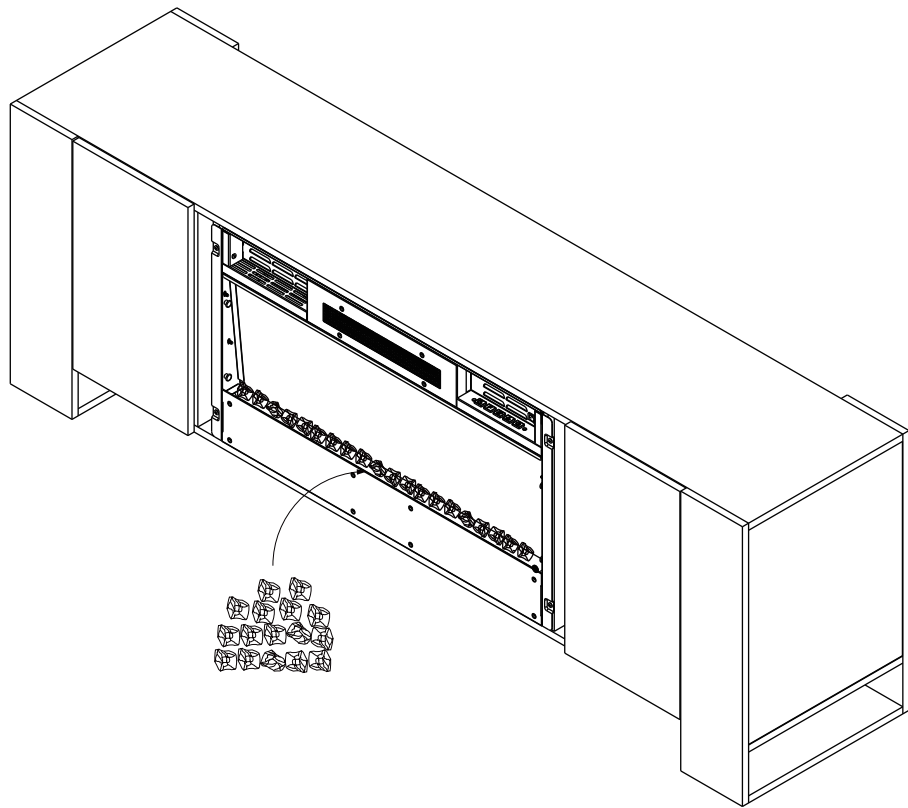
## STEP 24



Assemble the fireplace insert to the stand and secure it with screw.

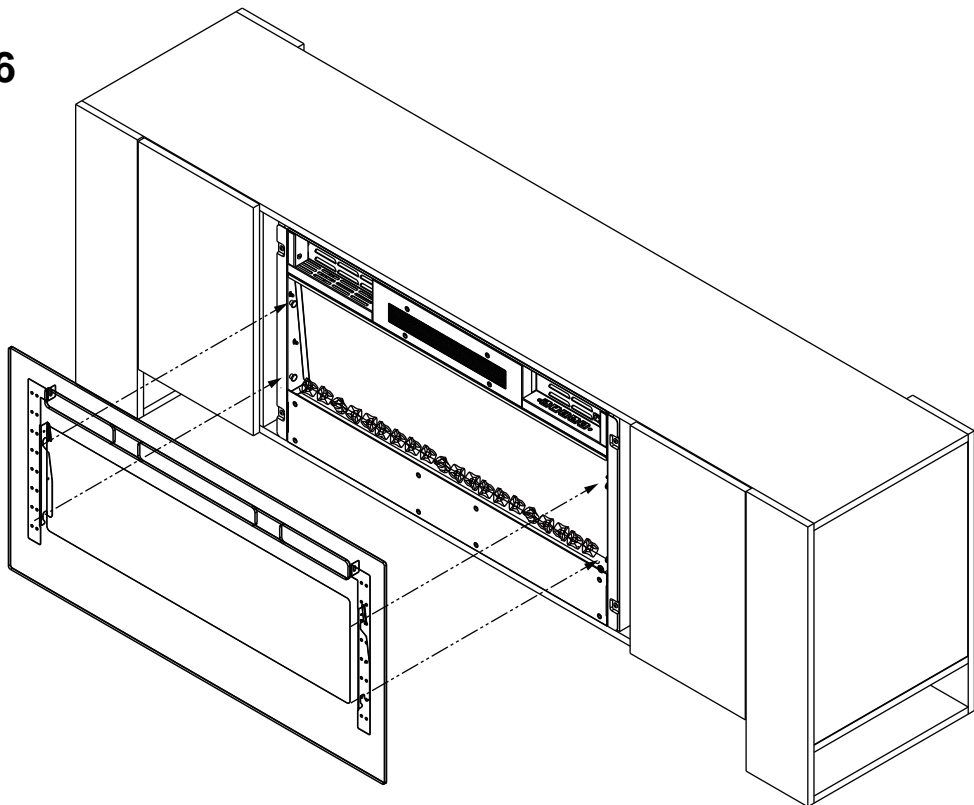
**Note:** you can find screws in the box of the fireplace

**STEP 25**



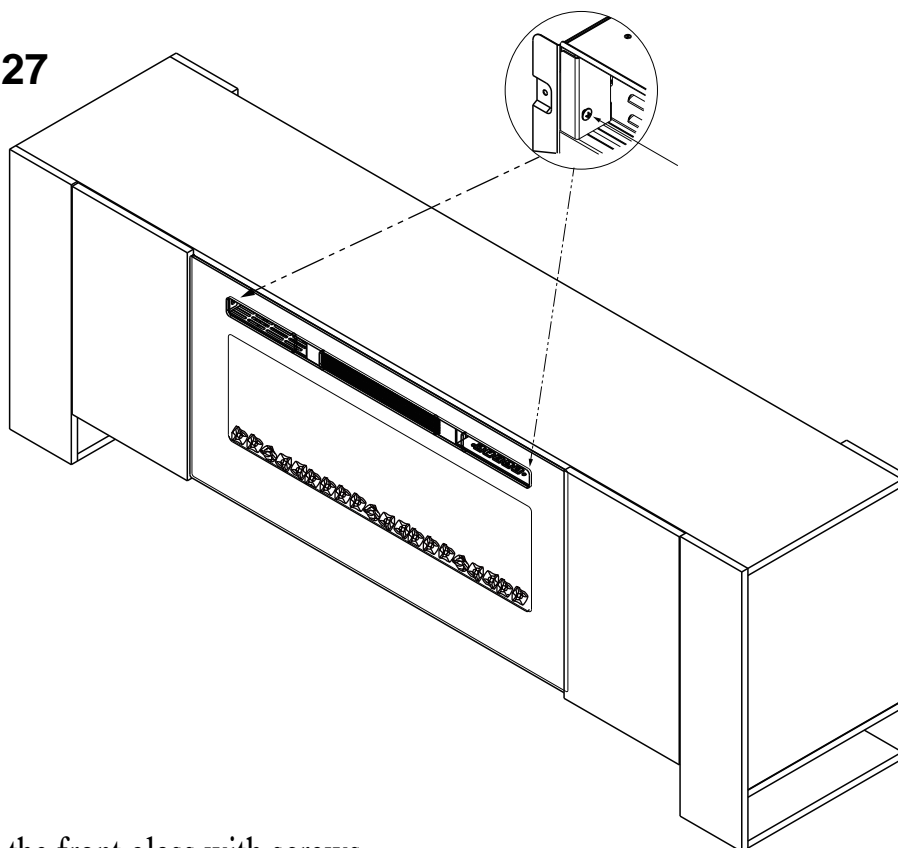
Install the media.

**STEP 26**



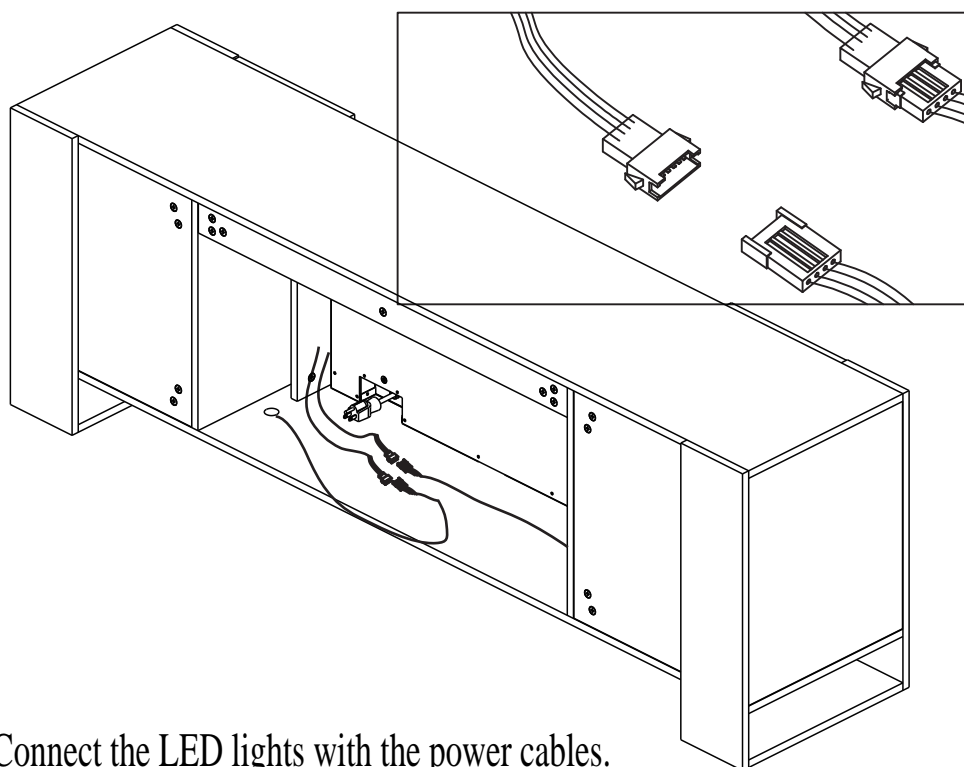
Re-install the front glass.

## STEP 27



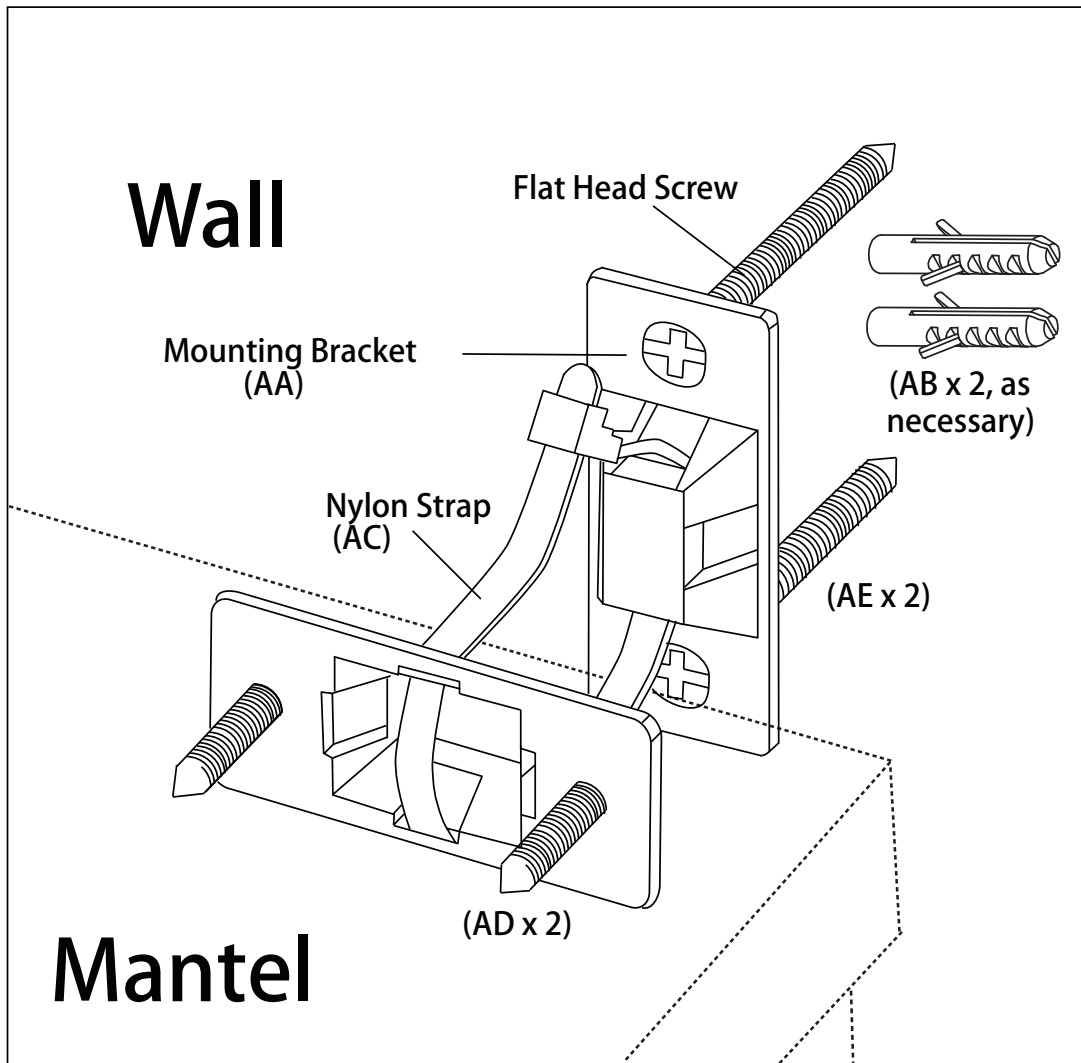
Fix the front glass with screws.

## STEP 28



Connect the LED lights with the power cables.

## assembly anchoring the media console



## care and maintenance



- Do not use abrasive or chemical cleaners. Discolouring or damage to finish may result.

Clean media console with a non-abrasive cloth. Clean as often as necessary.

### note:

Excessive sun exposure may cause discolouring or fading of media console finish.

If you need to adjust the doors, do so in the following manner.

To adjust door up or down, loosen screws (a) on both hinges, adjust door, and retighten screws.

To adjust door left or right, turn screws (b) on both hinges, in and out.

To adjust door in or out, loosen screws (c) on both hinges, adjust door, and retighten screws.

