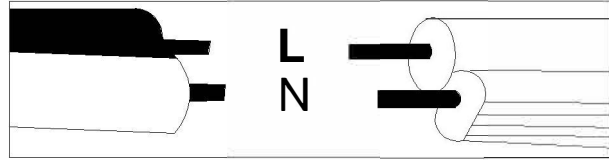


WIRE CONNECTION DIAGRAM

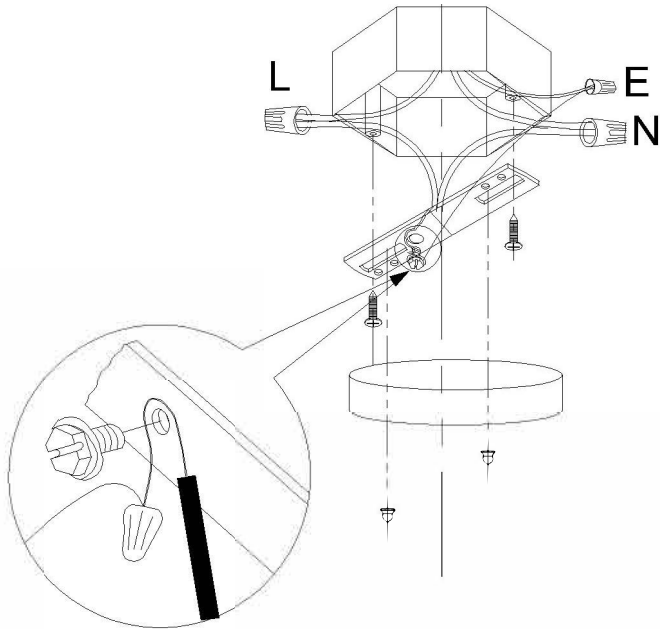
Wires met safety standards are recommended to connect the supply circuit.

CAUTION: Risk of fire

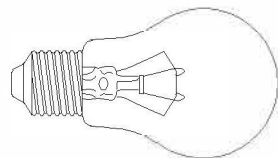


CANOPY INSTALLATION INSTRUCTIONS

Please read all instructions carefully. Before you proceed to install, make sure that the power supply is turned off and remains off until installation is complete.



Light Bulb (Not included)



E26

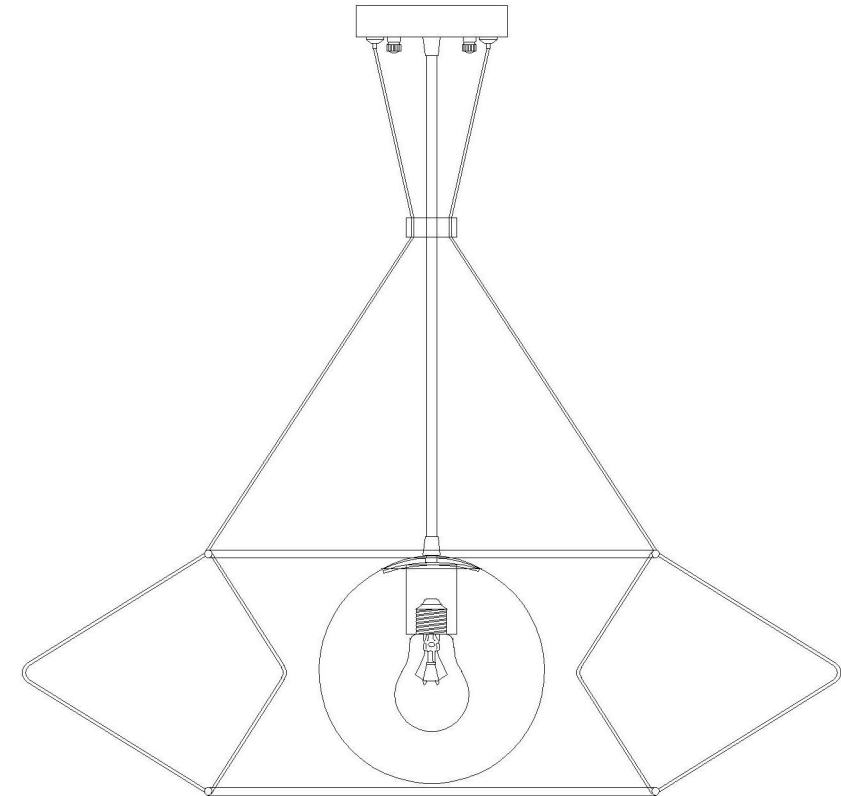
USER MANUAL

Thank you for your purchase.

For questions or assistance on assembly, parts or installation, please contact customer support.

We prefer email, so we can keep a record, but please provide your phone number in the email. All emails will be answered within 24 hours. For hard to explain problems, it will be helpful if you could send us a few pictures.

We involve the factory technicians directly in the support. You can be assured you will be dealing with the experts.



(Rated 110-130V/60Hz, bulb 35W-60W maximum.)

Assembly and Installation Steps

Step 3

- 3A. Lock the crossbar to the junction box of the ceiling by using 2 pcs of 5/32 screws in the accessories bag.
- 3B. Connect the wires. The hot/positive (+) wire is the one which has writing on it. The negative (-) wire is the one which has no writing.

Step 4

There are 2 screws and 2 nuts in the plastic bag. Hang the lamp to the ceiling by attaching the screws to the nuts.

Step 1

Install the E26 bulb (Not included).

Step 2

The clamp springs were pre-assembled on the light socket. Press the clamp springs inwardly by hand. Install the clamp springs to the shade. Loosen the clamp springs slowly.

Please note: The parts in this table are completely unassembled, for illustrative purpose. In the actual product that you receive, some parts are assembled and attached together.

