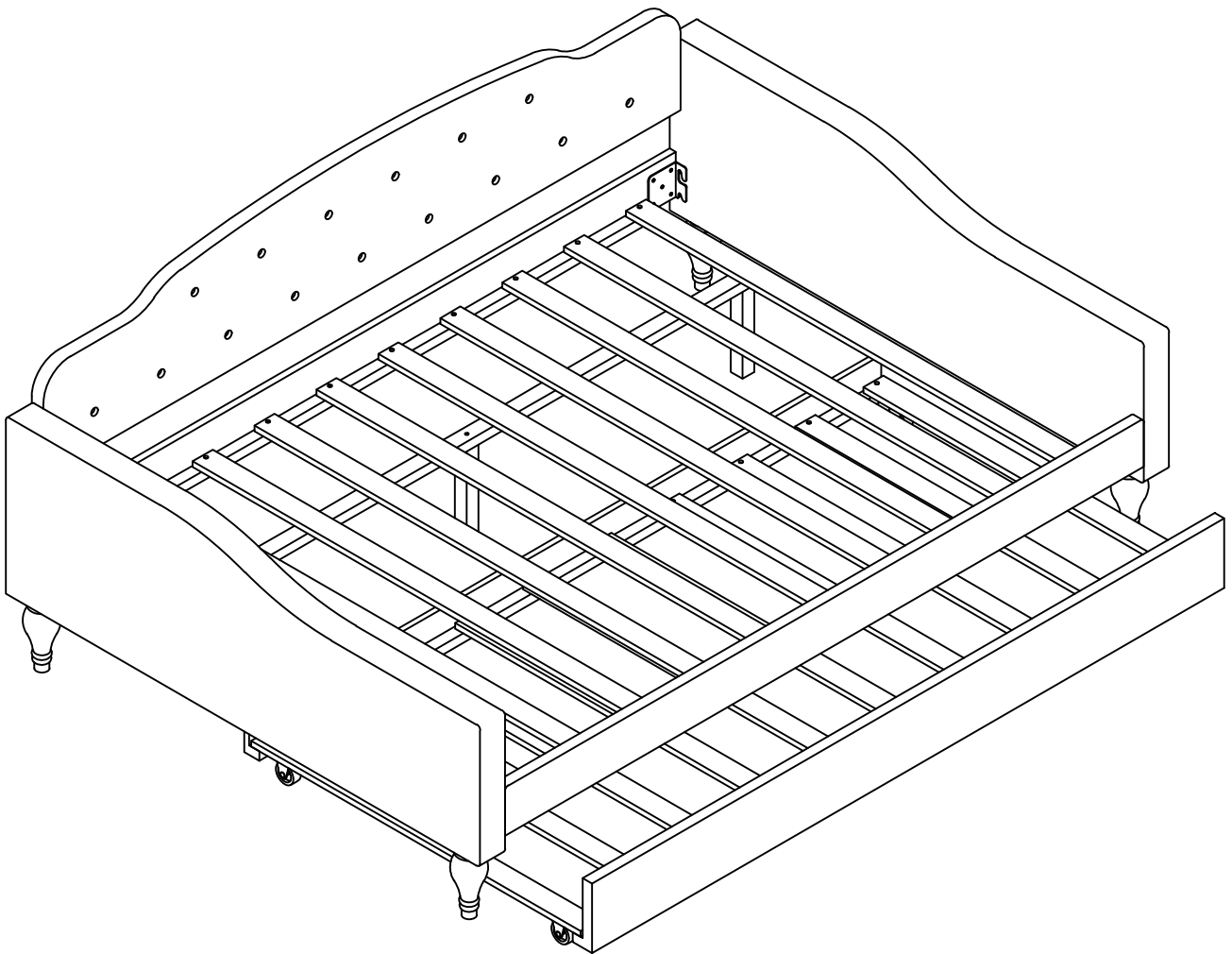


ASSEMBLY INSTRUCTIONS



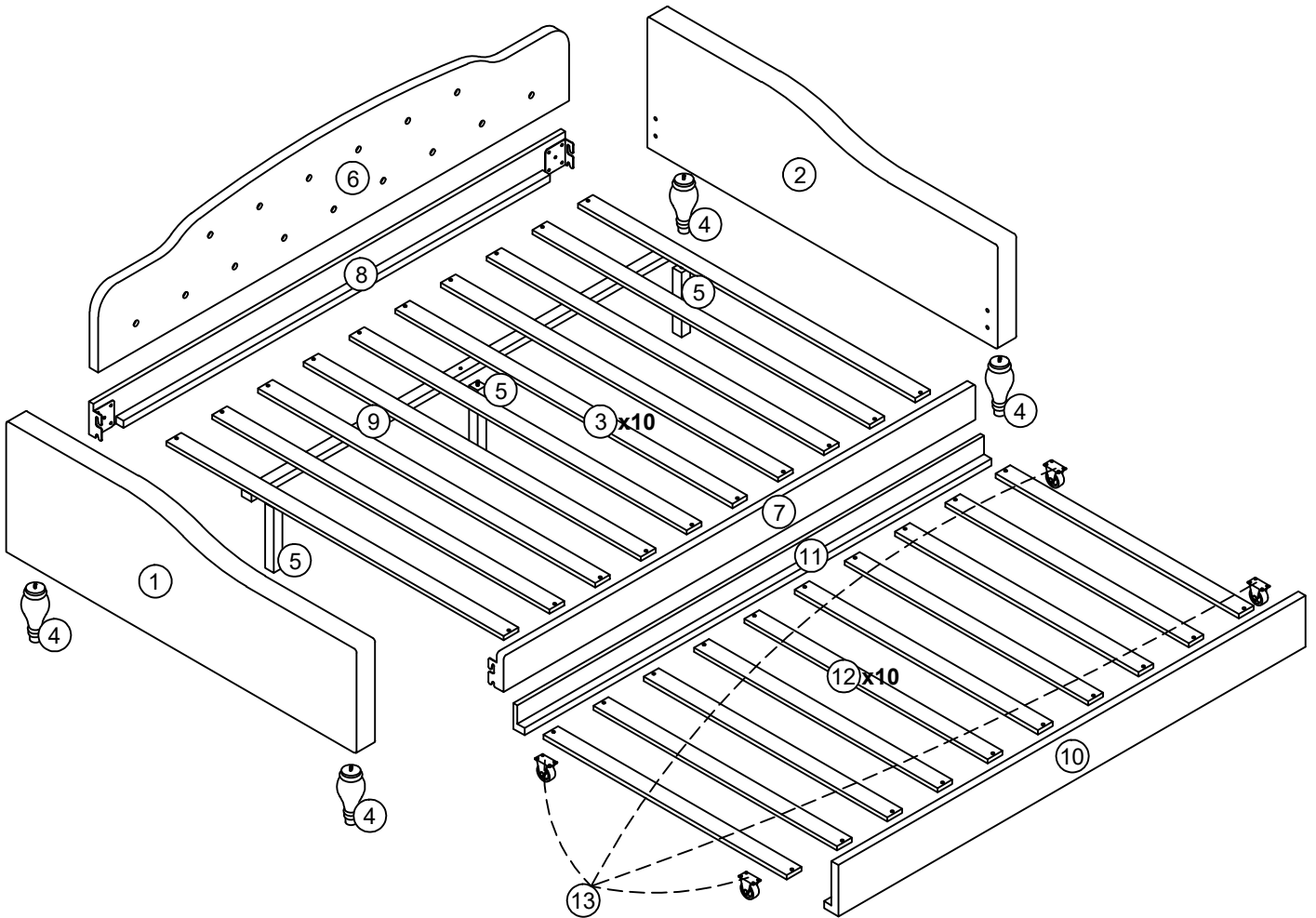
IMPORTANT NOTE

****PLACE ALL PARTS ON A CLEAN AND SMOOTH SURFACE SUCH AS A RUG OR CARPET TO AVOID THE PARTS FROM BEING SCRATCHED**

**** BEFORE YOU BEGIN , KINDY FOLLOW THE ASSEMBLY INSTRUCTIONS STEP BY STEP**

****DO NOT TIGHTEN ALL SCREWS AND BOLTS UNTIL THE BED IS FULLY SET-UP**

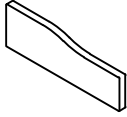
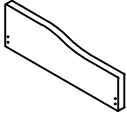



ASSEMBLY INSTRUCTIONS



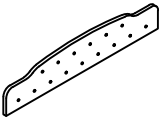


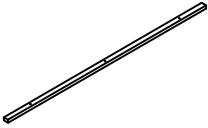




ASSEMBLY INSTRUCTIONS

PARTS IDENTIFICATION

(BOX1)

1	Left Arm		1pc		2	Right Arm		1pc
3	Slat Roll (1365x60x15mm)		10pcs		4	Legs		4pcs
5	Support leg		3pcs					

(BOX2)

6	Back Panel		1pc		7	Left Upper Rail		1pc
8	Right Upper Rail		1pc		9	Center Rail		1pc
10	Trundle Front Panel		1pc		11	Trundle Back Panel		1pc
12	Slat Roll (985x60x15mm)		10pcs		13	Wheels (59x42x66mm)		4pcs

ASSEMBLY INSTRUCTIONS

HARDWARE LIST

A



Short Bolt (16pcs)
(5/16" X 25mm)

B



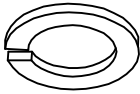
Allen Wrench (1 pc)
(m4x75mm x32mm)

C



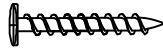
Flat Washer (16 pcs)

D



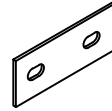
Spring Washer (16 pcs)

E



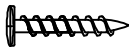
Flat Head Screw (44 pcs)
(m4x30mm)

F



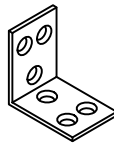
Bracket (4 pcs)
(100mmx40mmx2mm)

G



Flat Head Screw (40 pcs)
(m4x15mm)

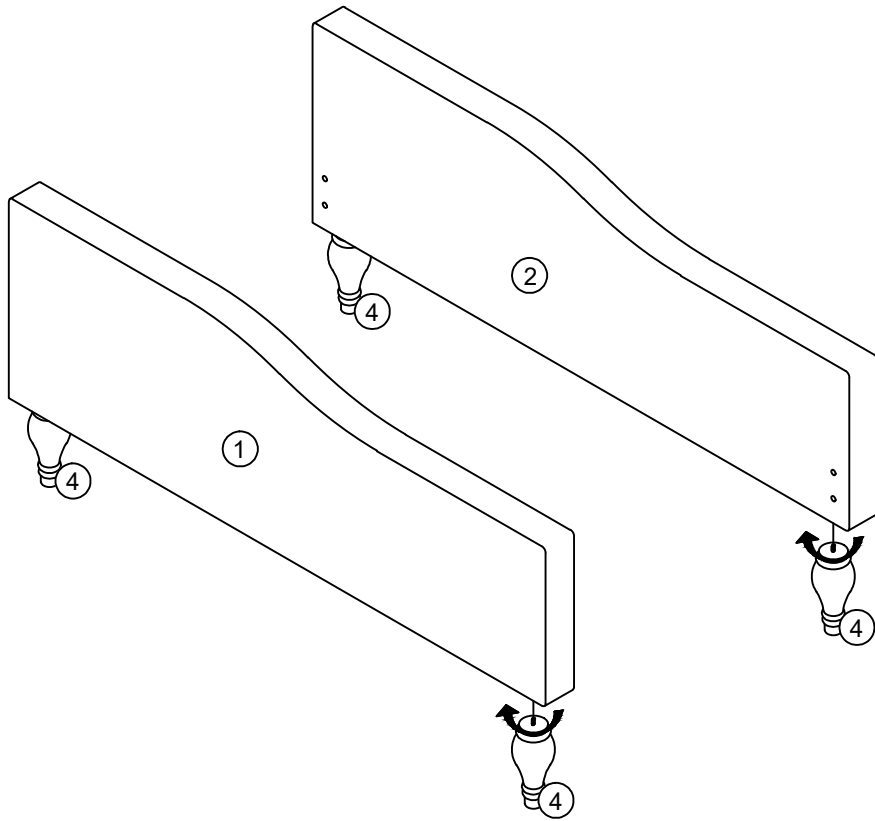
H



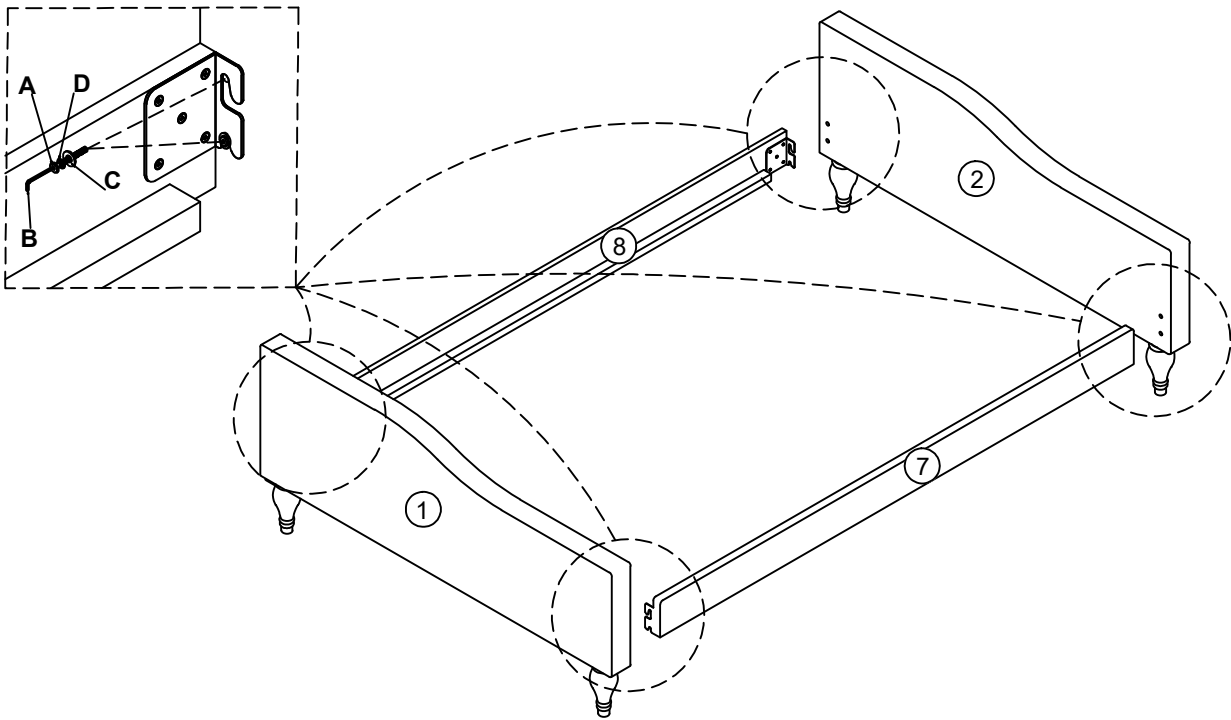
L Bracket (4 pcs)
(38mmx38mmx25mmx2mm)





ASSEMBLY INSTRUCTIONS

STEP 1



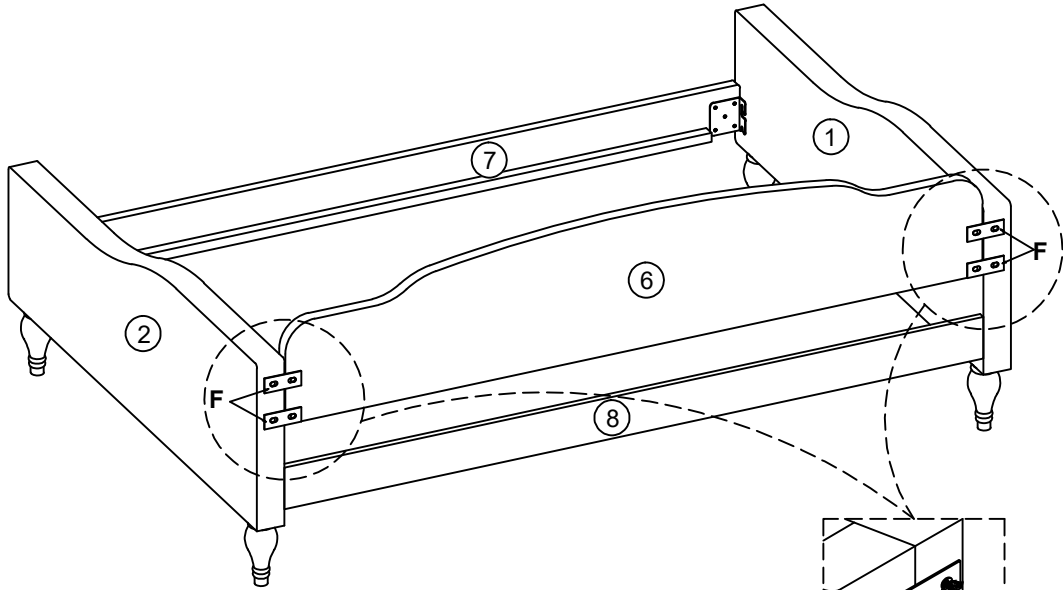
STEP 2








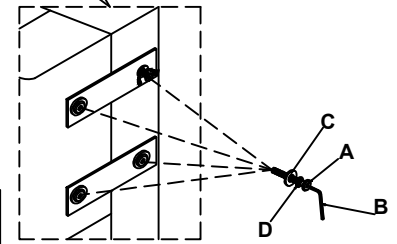
A	Bolt (5/16" x 25mm)		8pcs	D	Spring Washer		8pcs
B	Allen Wrench (M5x75mm x32mm)		1pc	C	Flat Washer		8pcs

ASSEMBLY INSTRUCTIONS

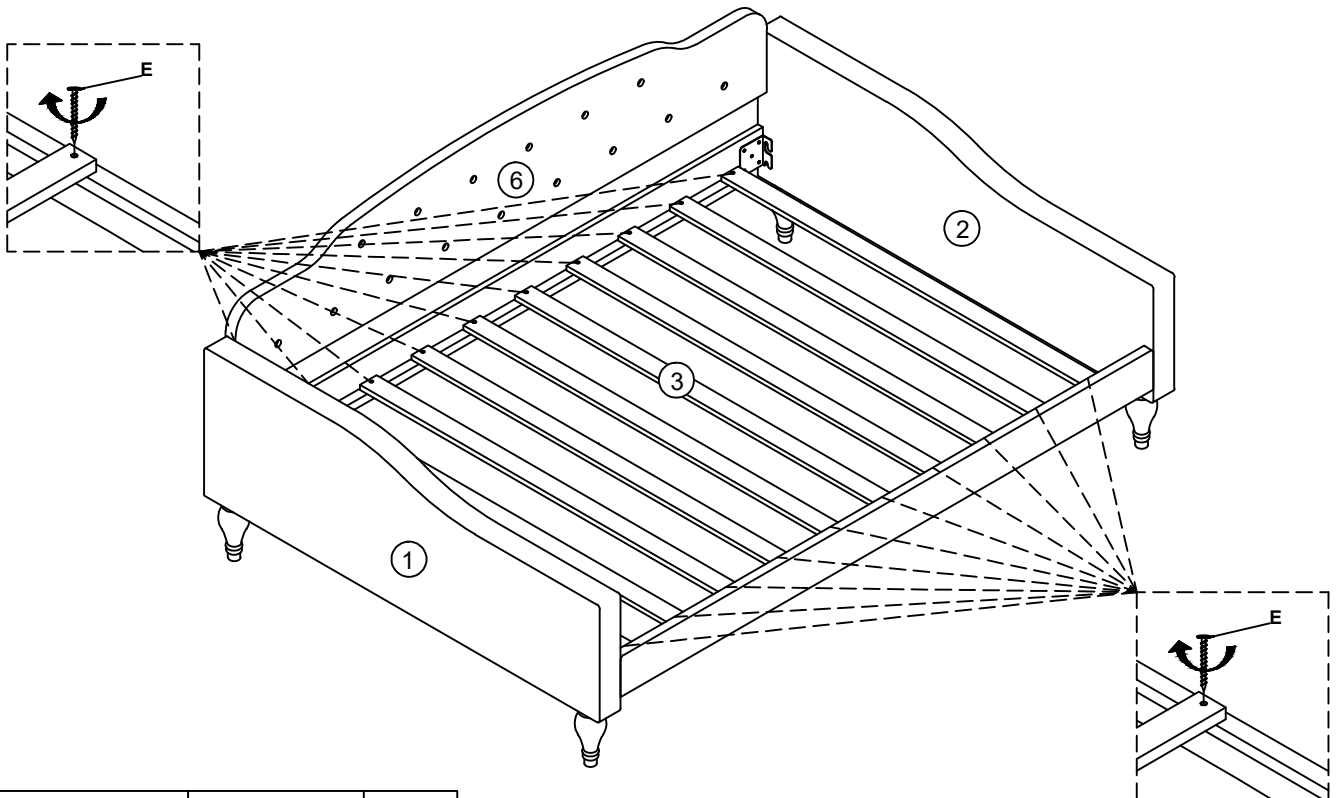
STEP 3

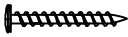


F	Bracket (100mmx40mmx2mm)		4pcs				
A	Bolt (5/16" x 25mm)		8pcs	D	Spring Washer		8pcs
B	Allen Wrench (M5x75mm x32mm)		1pc	C	Flat Washer		8pcs



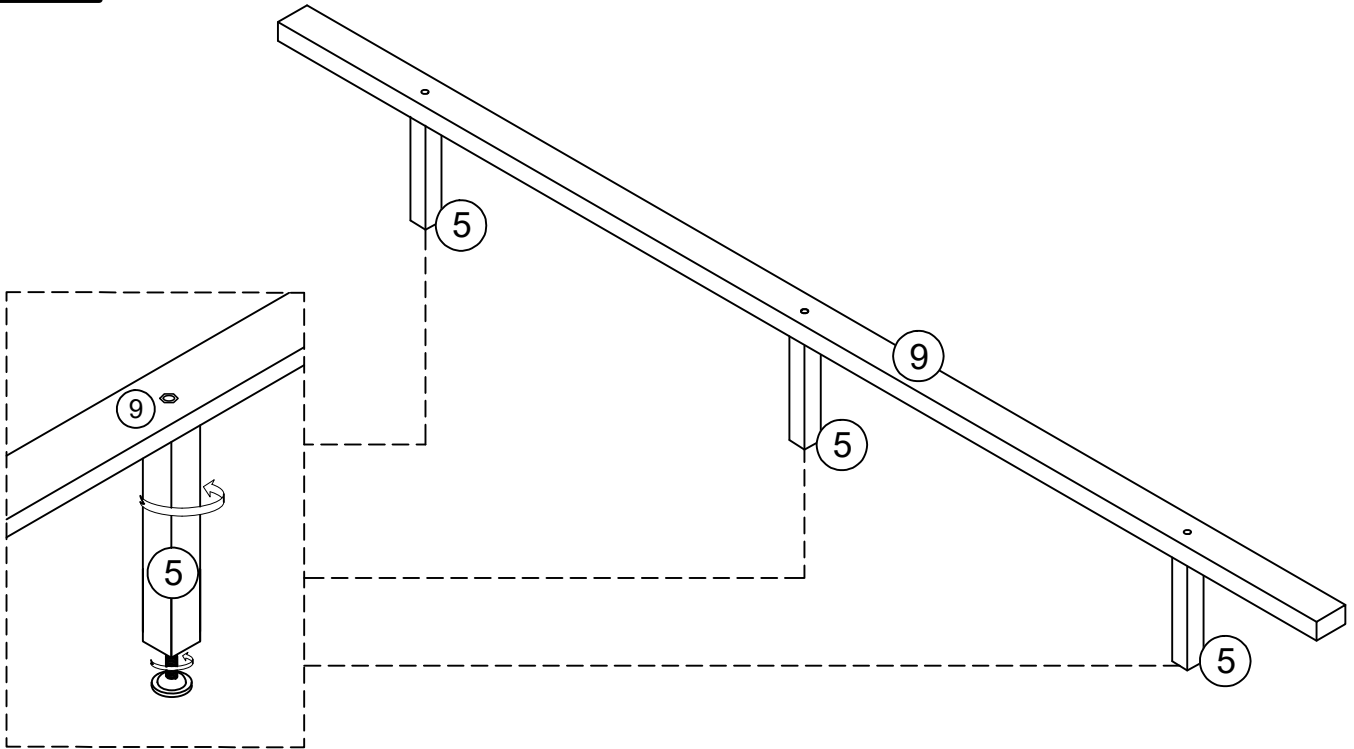
STEP 4



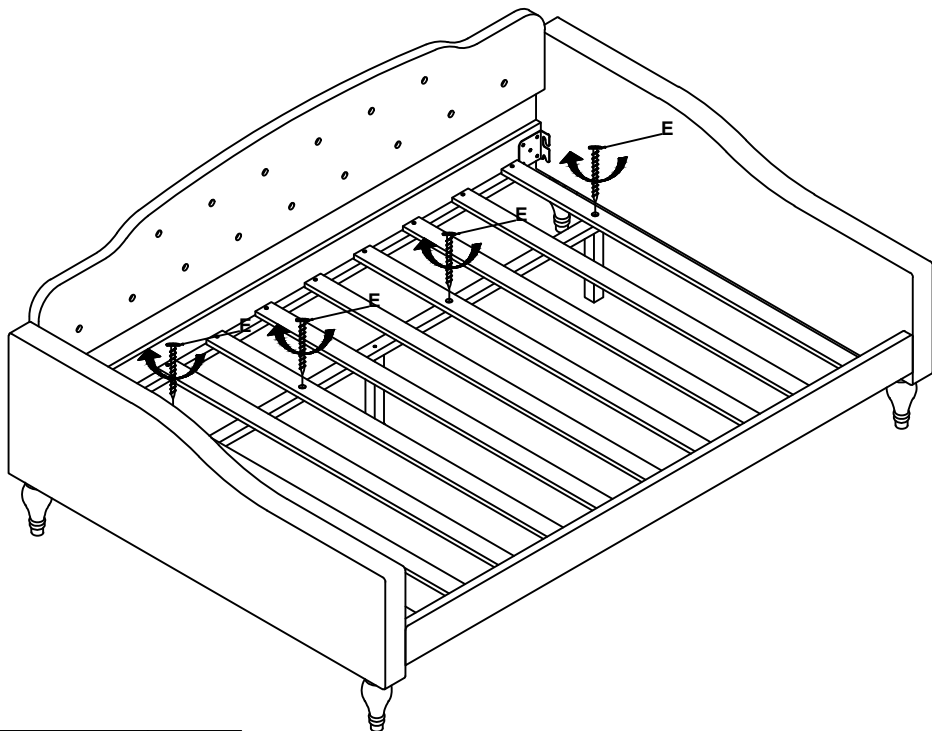
E	Flat Head Screw (m4x30mm)		20pcs
---	-------------------------------------	---	-------

ASSEMBLY INSTRUCTIONS

STEP 5

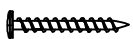


STEP 6



E

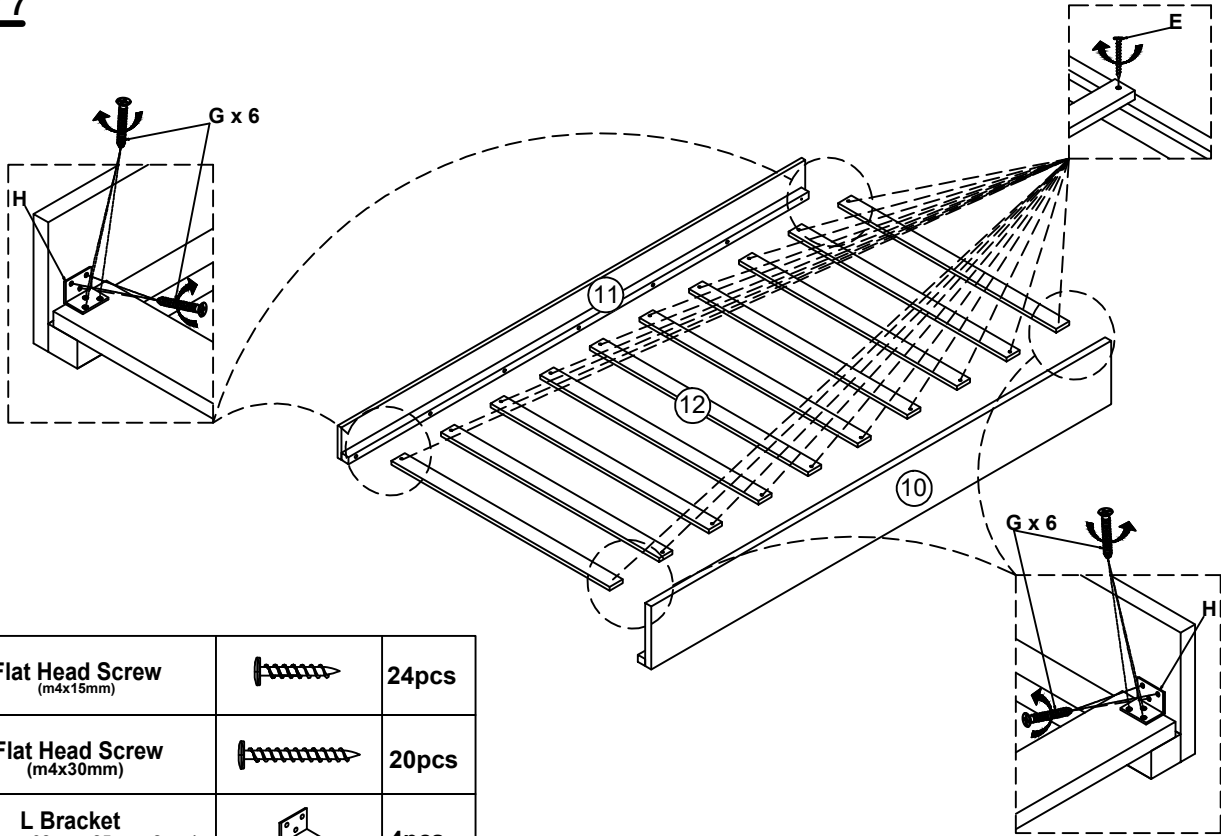
Flat Head Screw
(m4x30mm)

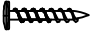
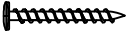



4pcs

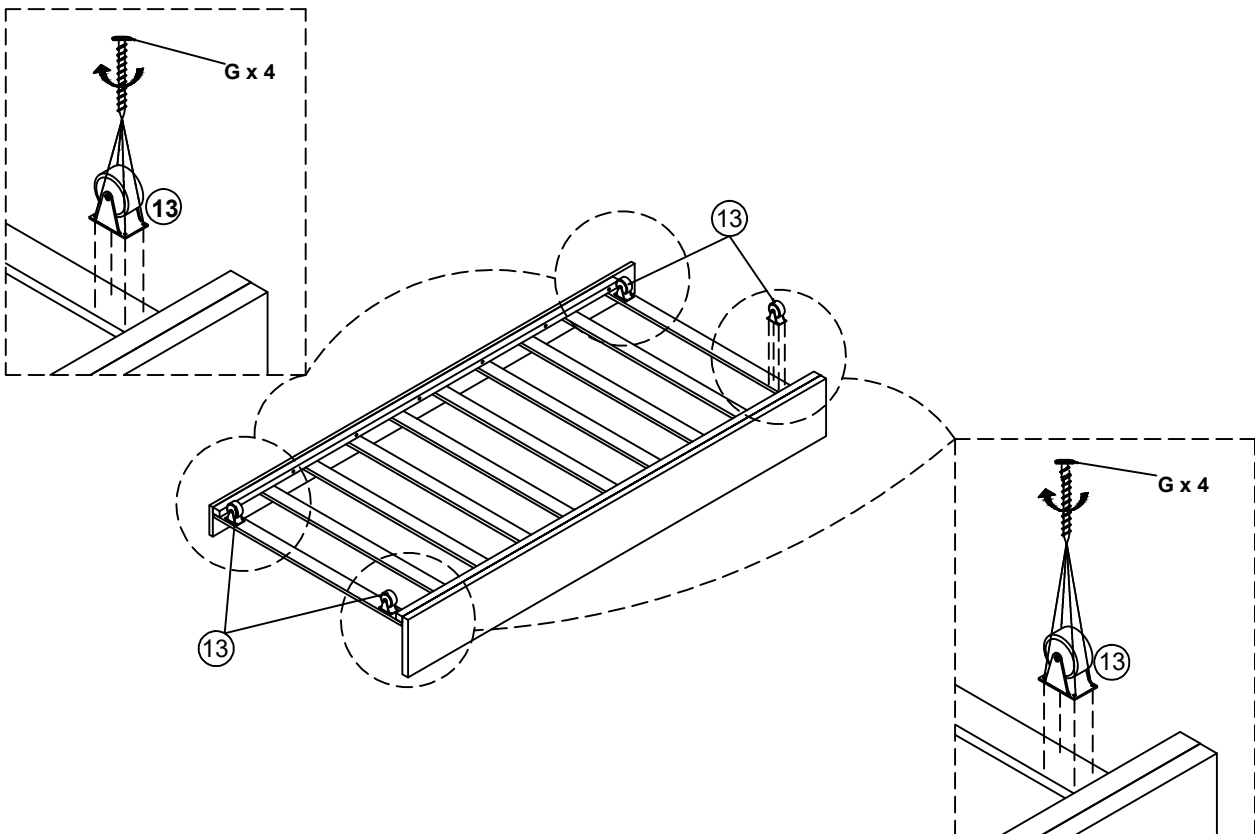
ASSEMBLY INSTRUCTIONS

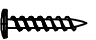
STEP 7



G	Flat Head Screw (m4x15mm)		24pcs
E	Flat Head Screw (m4x30mm)		20pcs
H	L Bracket (38mmx38mmx25mmx2mm)		4pcs

STEP 8



G	Flat Head Screw (m4x15mm)		16pcs
---	------------------------------	---	-------

ASSEMBLY INSTRUCTIONS

STEP 9
COMPLETE

