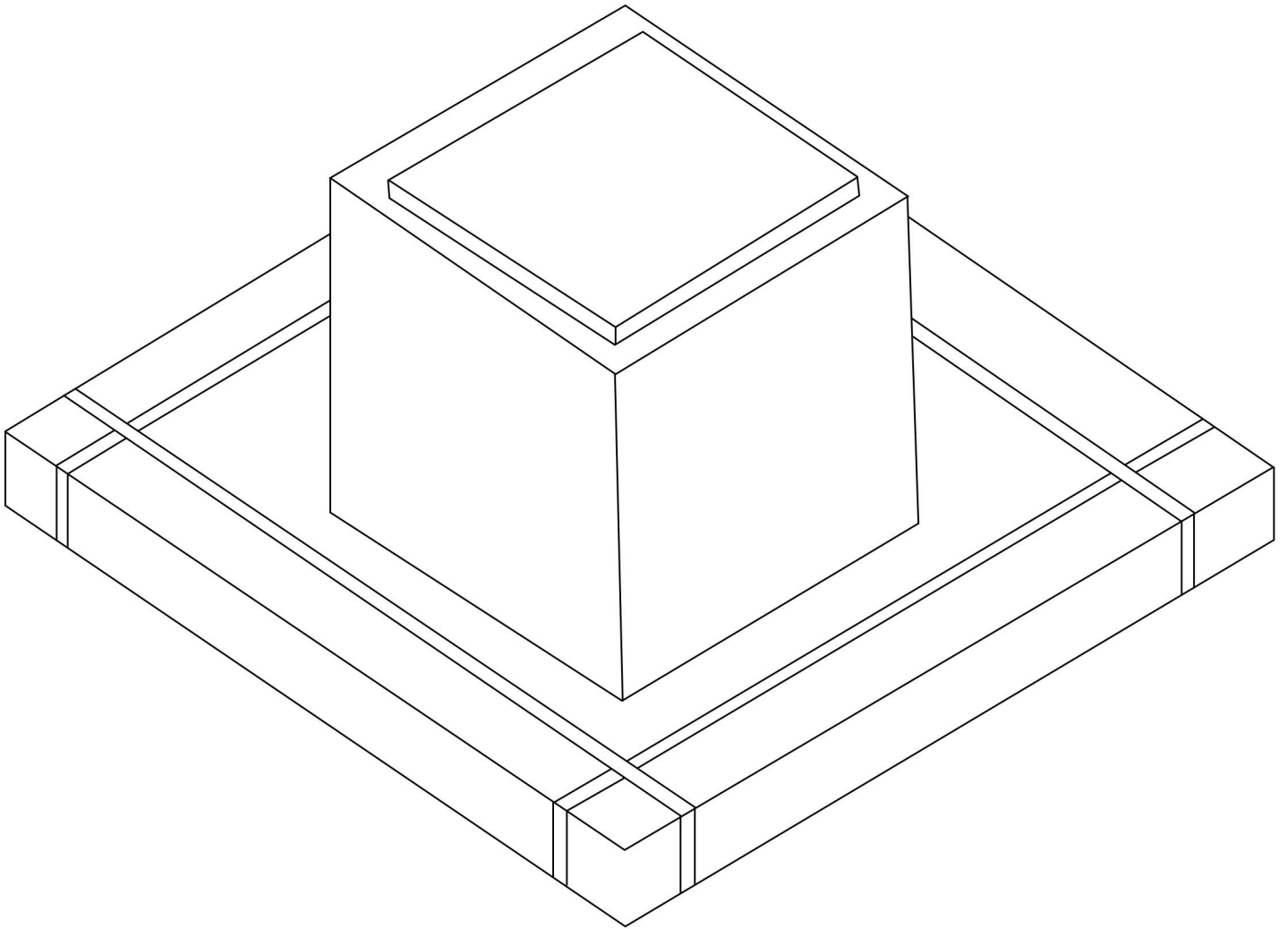
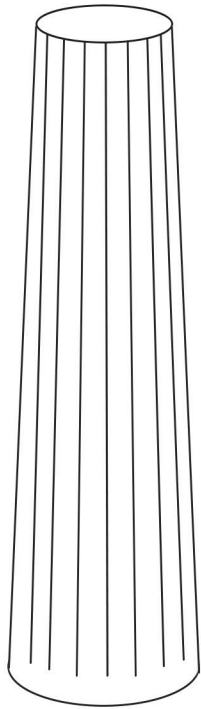


1

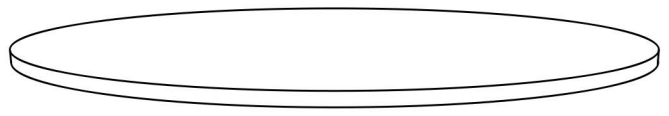


Upon receipt, first check whether the outer carton is seriously damaged. If there is no major damage, open the box and confirm that the tabletop, legs, and screw pack are complete and undamaged.

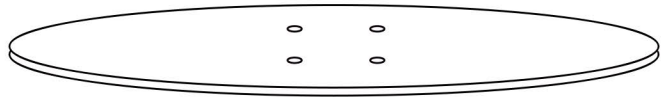
2



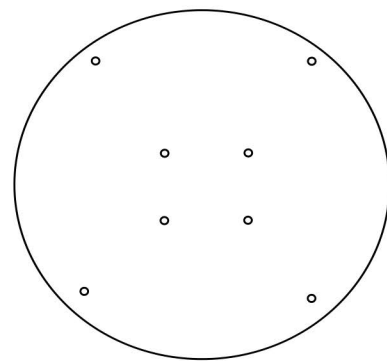
①Base×1




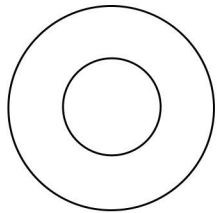
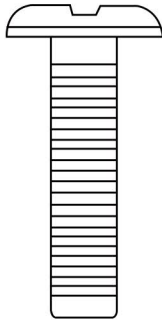
②Tabletop×1



③Bottom connecting plate×1

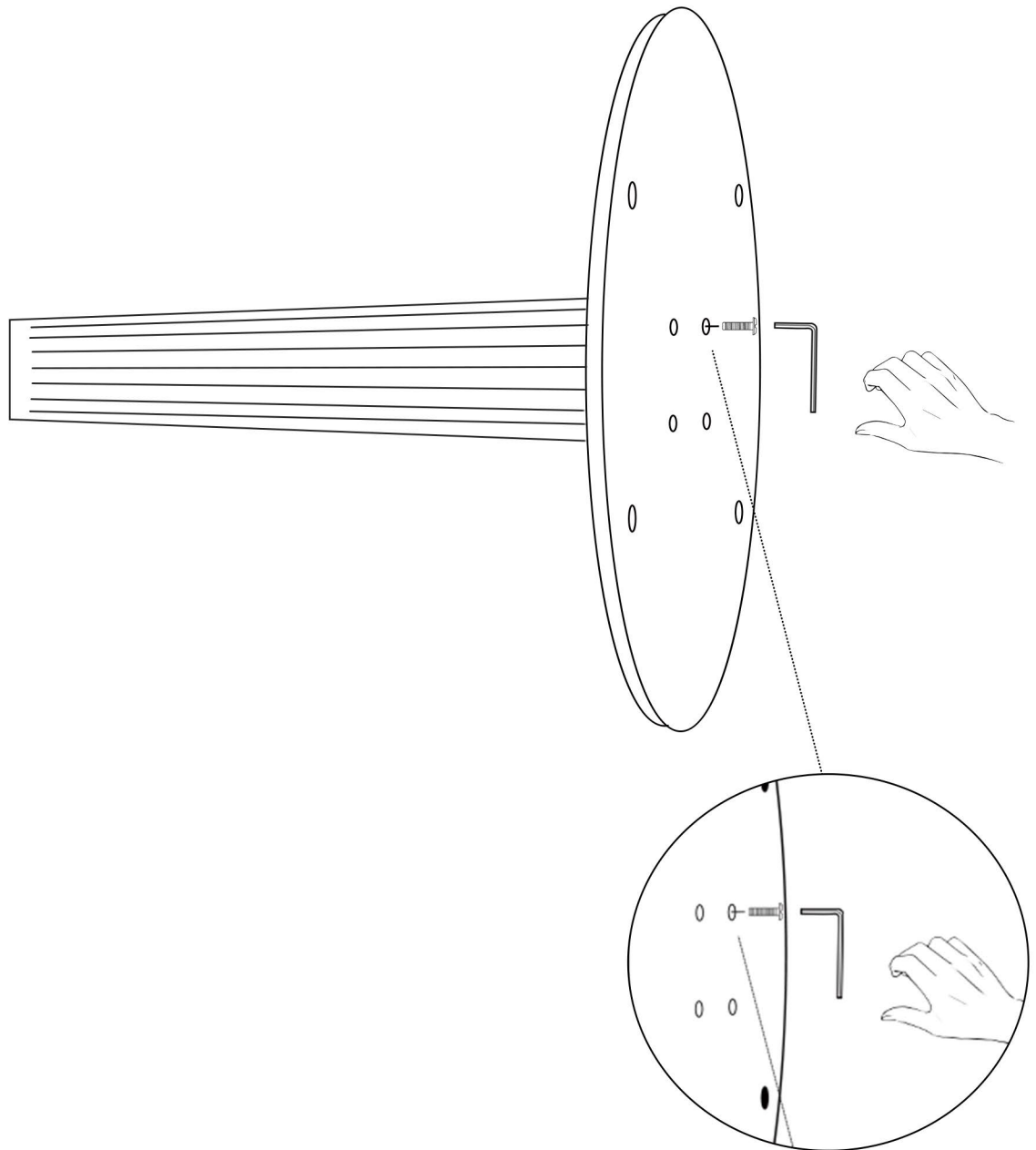


④ Connecting plate×1

<p>a</p>  <p>×1</p> <p>Hex screwdriver</p>	<p>b</p>  <p>×10</p> <p>Screw washers</p>	<p>c</p>  <p>×10</p> <p>Screws</p>
---	--	---

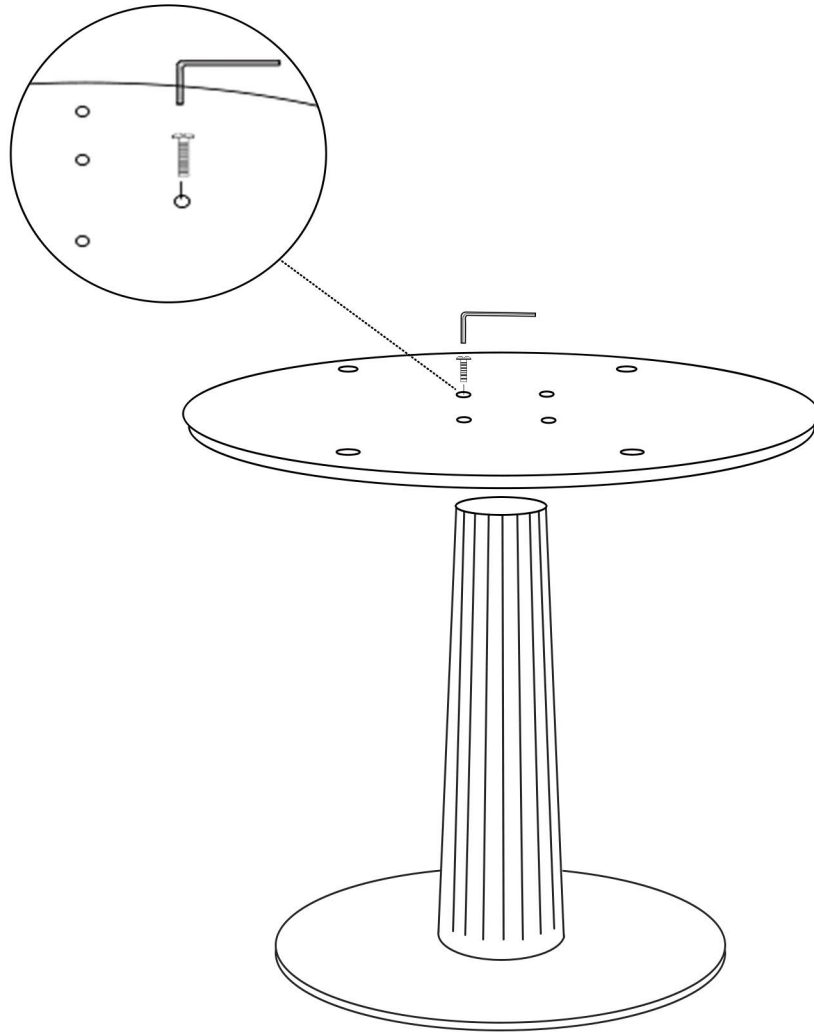
Installation components

3



Install the base and chassis first. Place the base on the ground, align the holes for connection, and tighten with screws using a screwdriver.

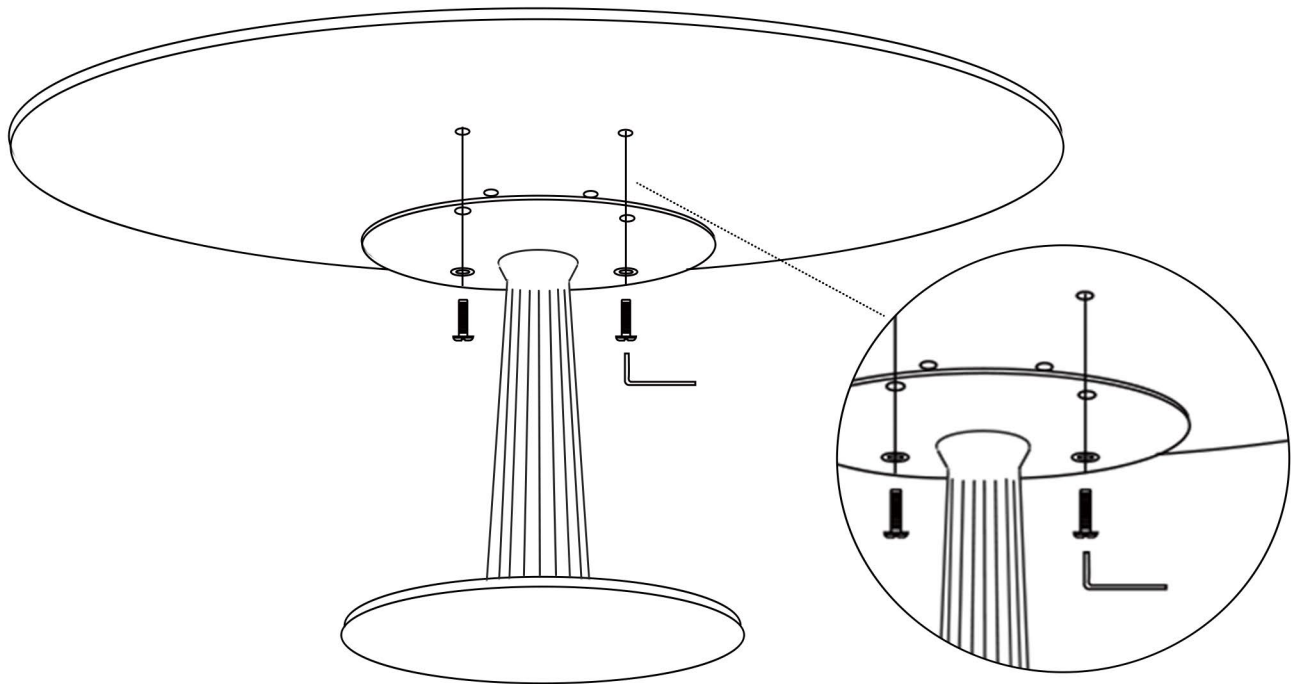
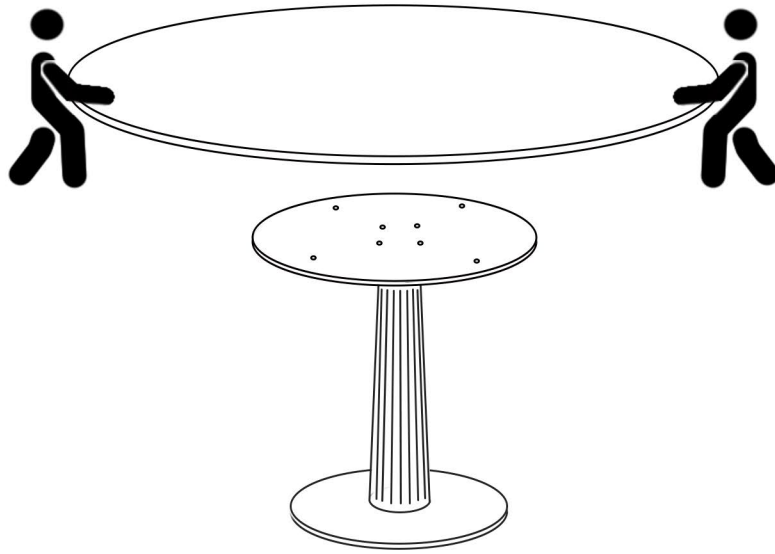
4



Attach the Base to the Mounting Plate

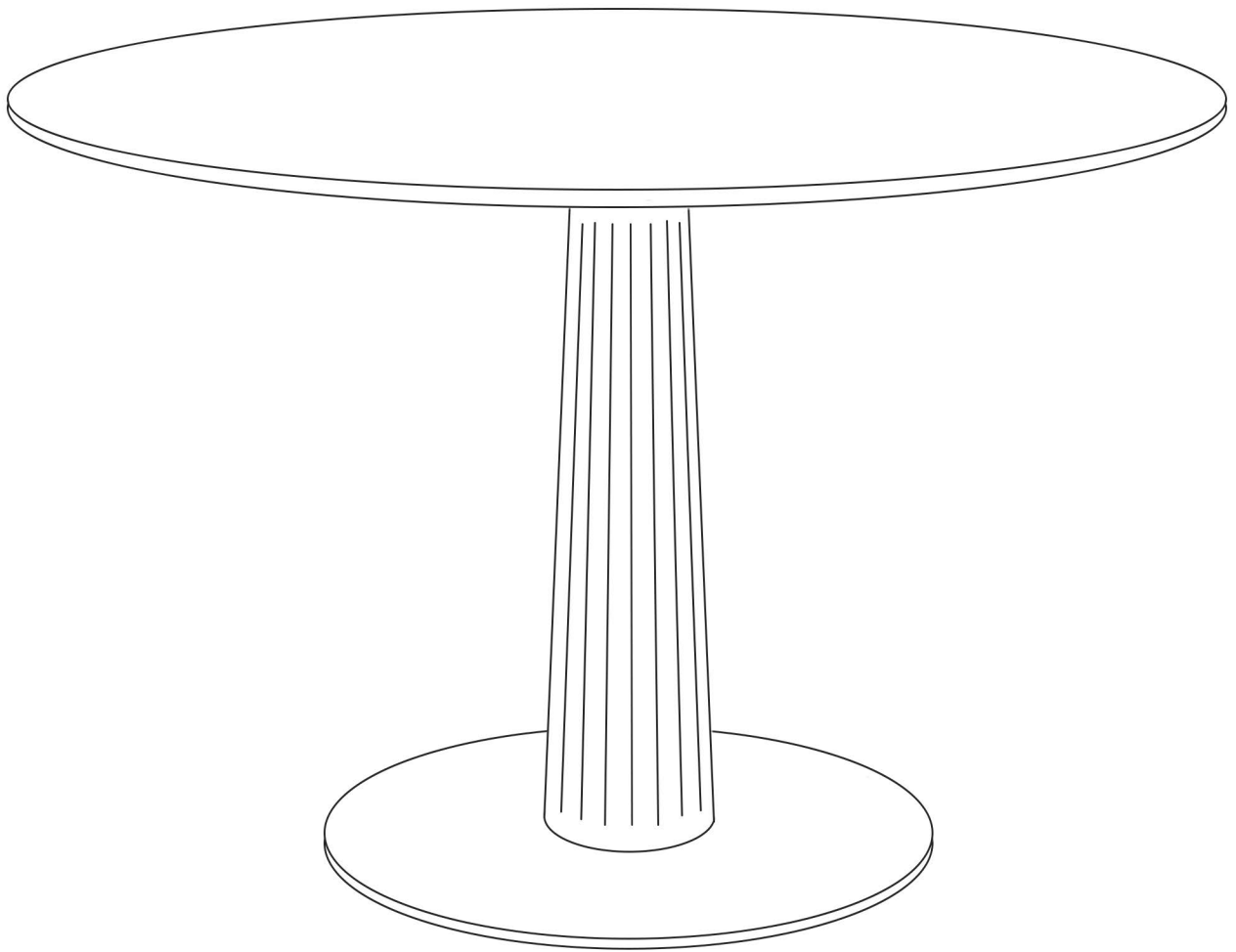
1. Align the mounting plate with the 4 screw holes on the top disc of the pedestal base.
 2. Insert the 4 pcs bolts from the top side (finger-tighten only at this stage).
- Important:** All 4 bolts must be inserted and lightly seated before final tightening to prevent misalignment.
3. Tighten the 4 bolts evenly using an Allen key.

5



Lift the tabletop together and place it onto the assembled base. Align the holes on the tabletop with those on the connecting plate, then use a screwdriver to install each screw. After all screws are installed, tighten them securely one by one.

6



Installation complete