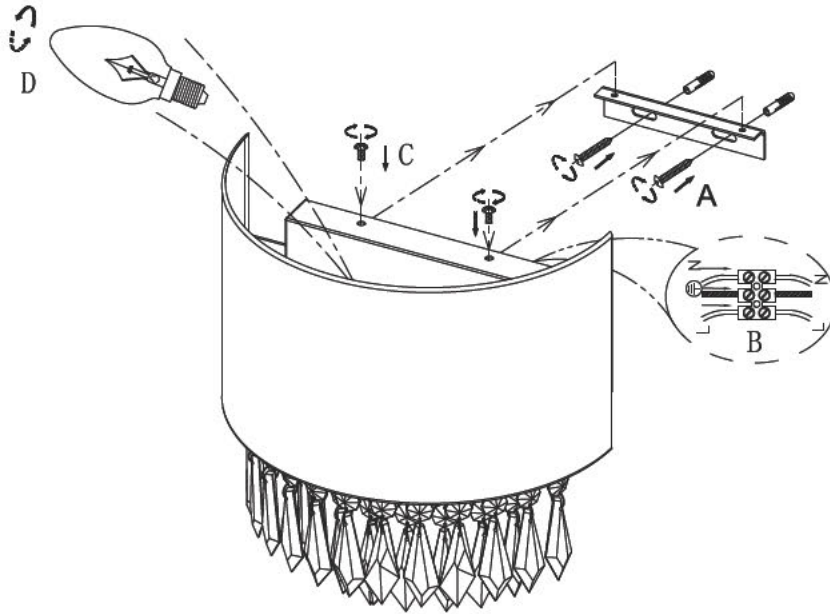


40W Max E14 SES (required)  
Dimmable



**Step 1: Insert masonry plugs into mounting surface A.**

**Step 2: Fit mounting bracket onto mounting surface with self-tapping screws A.**

**Step 3: Connect main supplier wires to terminal block making sure all the connections are tight B.**

**Step 4: Tighten up by provided screws C .**

**Step 5: Insert 1xE14 bulb D(not supplied) to the lampholder.**