

Tip: We recommend flattening the boxes to use as a protective work surface, or setting up your new furniture on a soft floor like a carpet.



**IMPORTANT, RETAIN FOR  
FUTURE REFERENCE:  
READ CAREFULLY.**

## **Safety**

- For domestic use only.
- Always use on firm level ground.
- Don't tighten all the bolts before the product is fully assembled.
- It would be useful to ask someone to help you assemble the product.
- Periodic structural checks of this product should be undertaken, do not use if you have any doubts about its fitness for purpose.
- Do not stand on the seat.
- Do not let children play with this product.
- Maximum load per seat: 250 lbs.

## **At the beginning of the season**

- Check to ensure that all components and fixings of this product are secure, do not use if you have any doubts about its fitness for purpose.

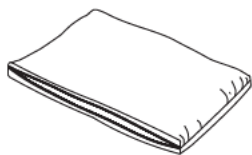
## **At the end of the season**

- This product should be stored under cover during prolonged spells of adverse weather (wet or cold) and also during the winter (ideally in a garden shed or garage).
- Always clean and dry thoroughly before storage.

# How to Put on the Cushion Cover

---

1

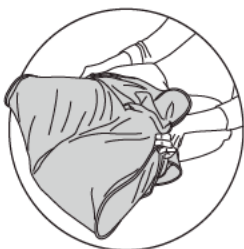


OR



1. Take the cushion covers and inners out of the carton.

2



2. Fold the inner in half, pushing the sides together, then begin to slide the cover onto it.

3



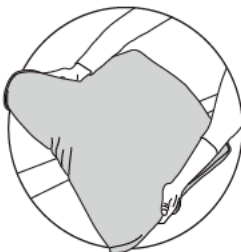
3. Align both far corners, then gently compress insert while fitting cover around it.

4



4. To avoid a stuck zipper, please pull the fabric away from the zipper before moving forward.

5

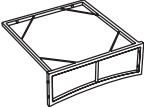



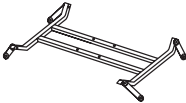
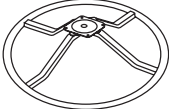

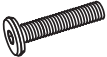




5. When all done, please pat the cushion or give it a little shake to make it more flat.






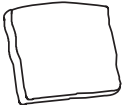
## Care & Cleaning Guidelines

The covers are machine washable. Before washing, please zip the cover up to avoid catching other clothes. You can clean the dust on the chair / table / footstool with a damp cloth.

## COMPONENT LIST - ARMCHAIR×2

Item no.	Reference Image	Description	Qty.
A2		Seat Panel	1
B2		Back Panel	1
C2		Left Armrest	1
D2		Right Armrest	1
E		Metal Stand	1
F		Metal Base	1
N		Washer	26
O		M6*35 Head Cap Screw	10
P		M6*45 Head Cap Screw	8
Q		Nut	8

## COMPONENT LIST - ARMCHAIR×2

Item no.	Reference Image	Description	Qty.
R		Allen Key	1
S		Plastic Washer	4
T		Cap	4
U		Spanner	1
I		Seat Cushion	1
J		Pillow	1

**NOTE:**

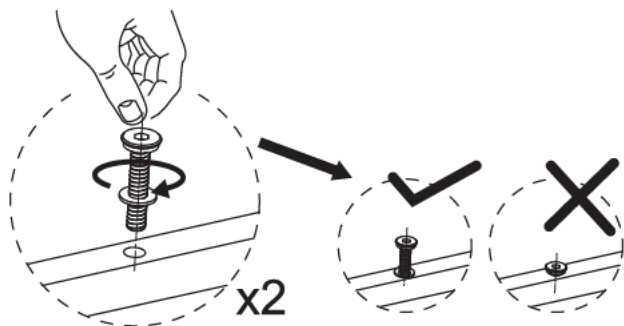
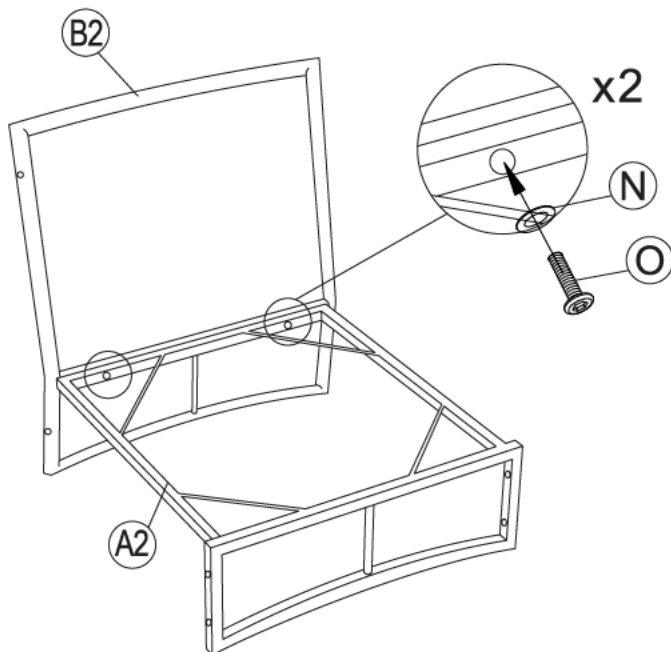
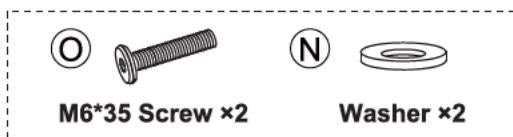
Do NOT tighten any screws fully first until you have tightened all the screws.

This may cause the frame to warp.

If there is still wobbles or screw holes cannot be aligned, loosen the screws and tighten sequentially.

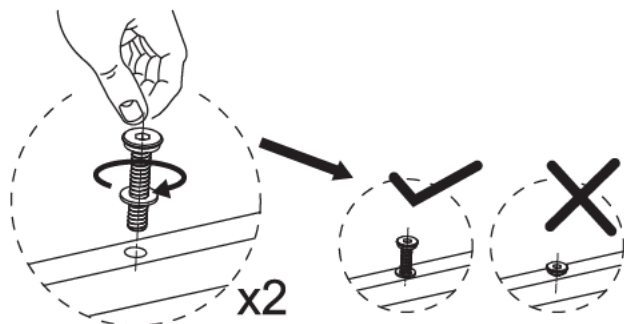
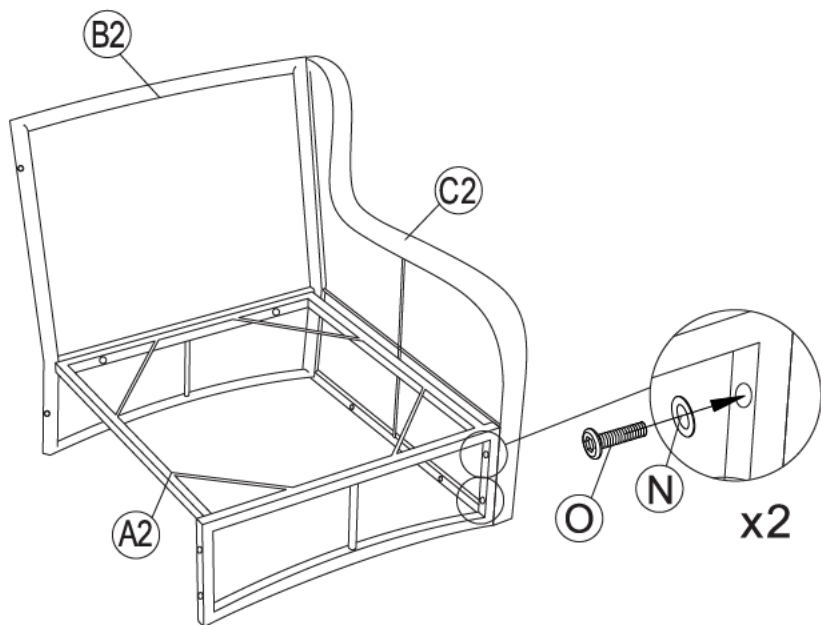
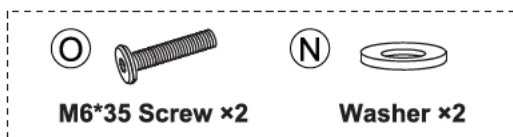
If the Armchair is not stable it could lead to damage to the product.

# 01



**NOTE: DO NOT TIGHTEN THE SCREWS COMPLETELY.**

# 02



**NOTE: DO NOT TIGHTEN THE SCREWS COMPLETELY.**

# 03



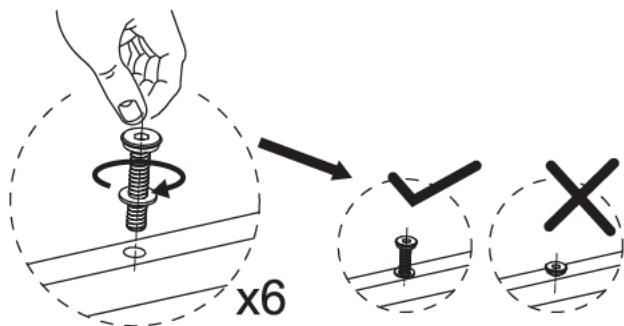
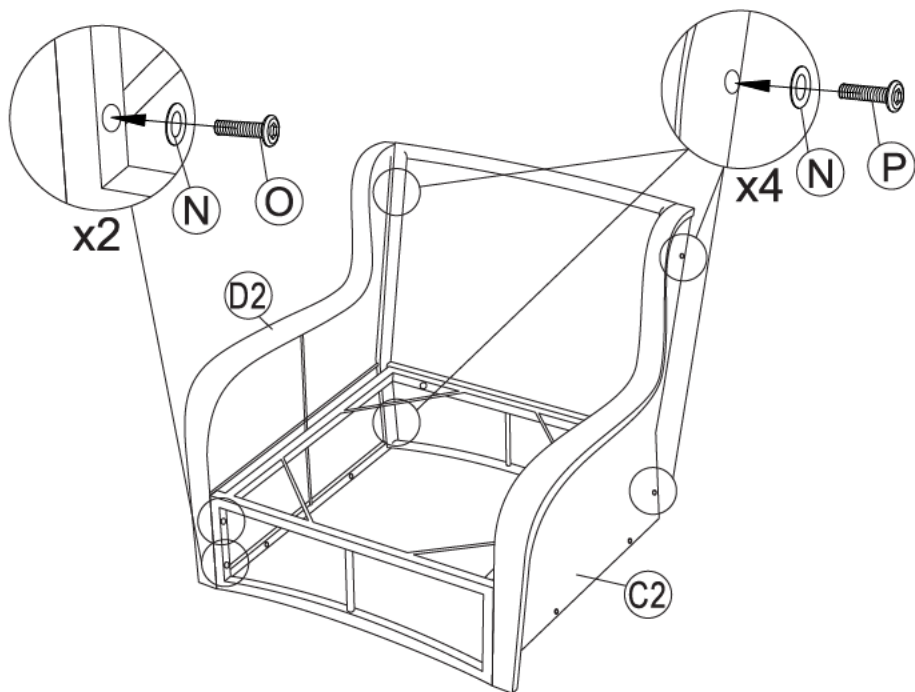
M6\*35 Screw x2



M6\*45 Screw x4



Washer x6



**NOTE:DO NOT TIGHTEN THE SCREWS COMPLETELY.**

# 04



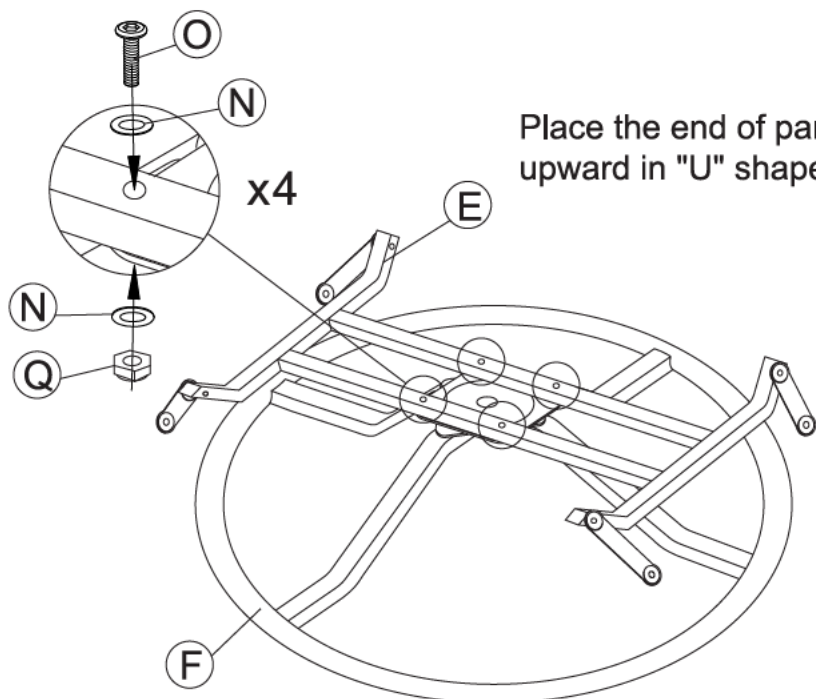
M6\*35 Screw x4



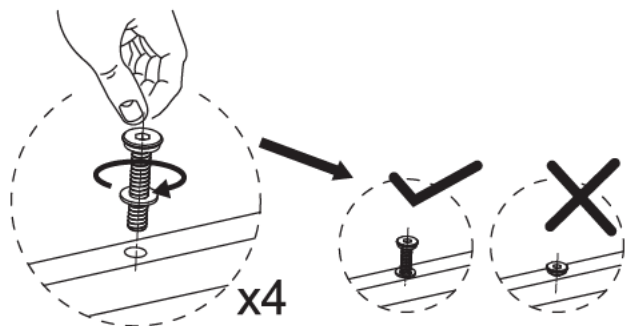
Washer x8



M6 Nut x4



Place the end of part E  
upward in "U" shape



**NOTE:DO NOT TIGHTEN THE SCREWS COMPLETELY.**

# 05



**M6\*45 Screw x4**



**Washer x8**



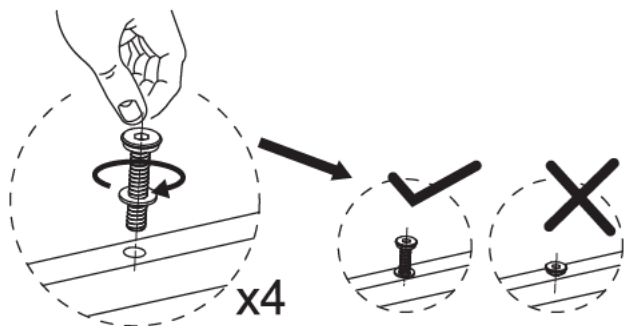
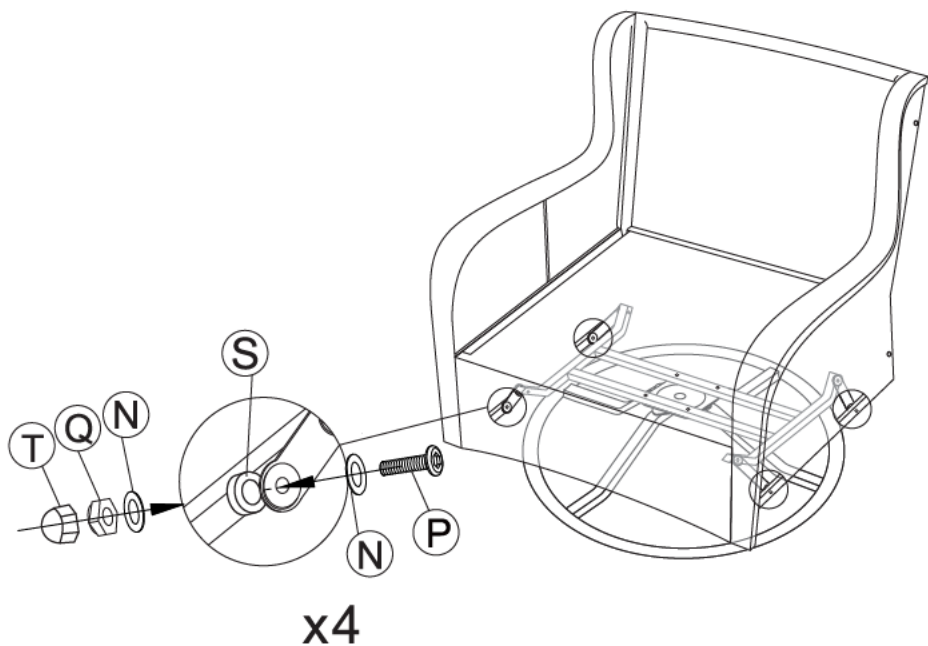
**M6 Nut x4**



**Plastic Washer x4**

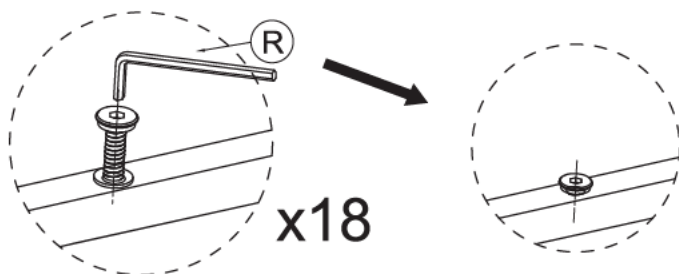
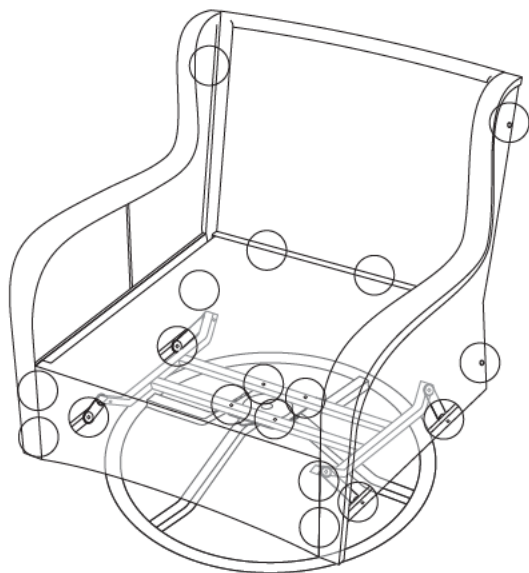


**Cap x4**



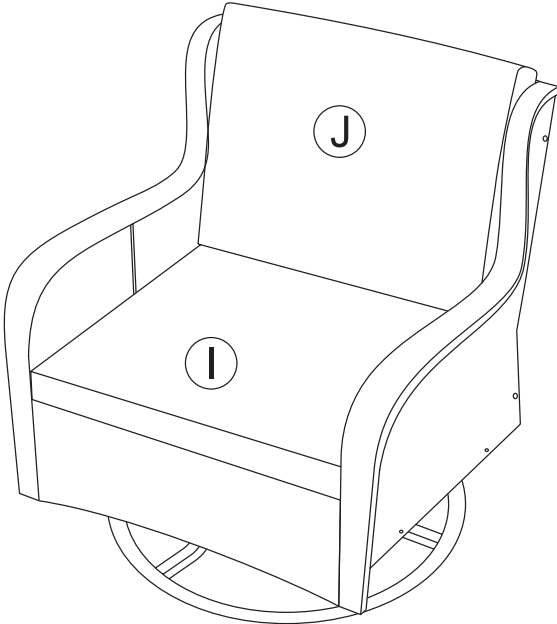
**NOTE: DO NOT TIGHTEN THE SCREWS COMPLETELY.**

# 06 Tighten all 18 Screws into place with Allen Key.

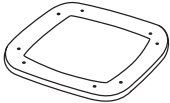

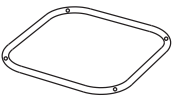


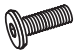



**NOTE: IF ANY SCREW HOLES CANNOT BE ALIGNED, LOOSEN ALL THE SCREWS AND GO BACK STEP 1 AND RESTART ASSEMBLY.**

07



## COMPONENT LIST - TABLE

Item no.	Reference Image	Description	Qty.
G		Table Top Frame	1
H		Table Leg	4
K		Table Bottom	1
L		Table Glass	1
N		Washer	12
S		M6*15 Head Cap Screw	12
R		Allen Key	1

**NOTE:**

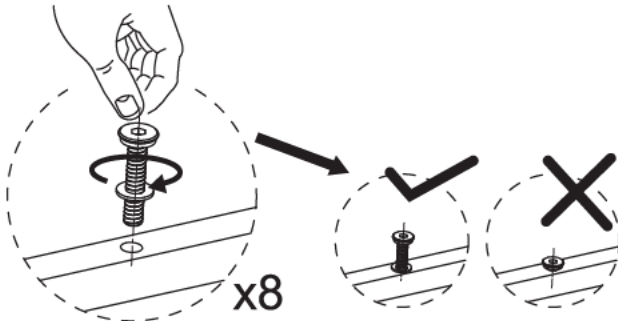
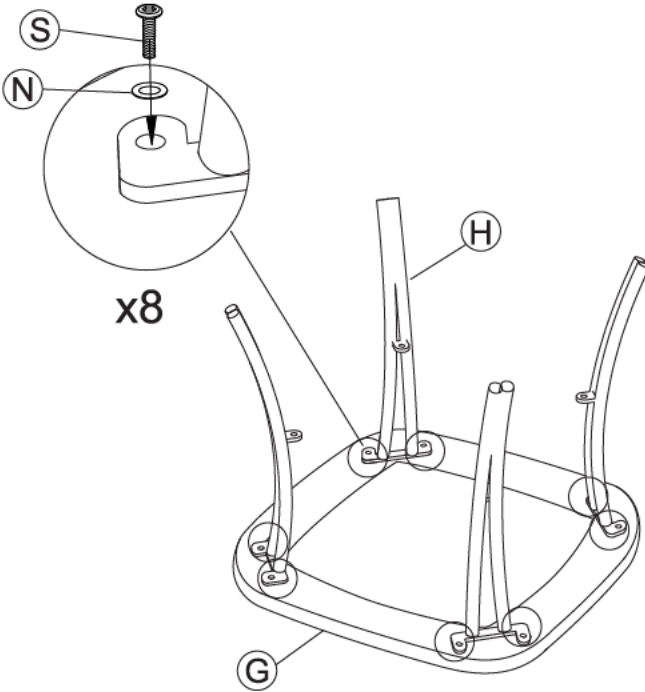
Do NOT tighten any screws fully first until you have tightened all the screws.

This may cause the frame to warp.

If there is still wobbles or screw holes cannot be aligned, loosen the screws and tighten sequentially.

If the Table is not stable it could lead to damage to the product.

01



**NOTE:DO NOT TIGHTEN THE SCREWS COMPLETELY.**

# 02

(S)

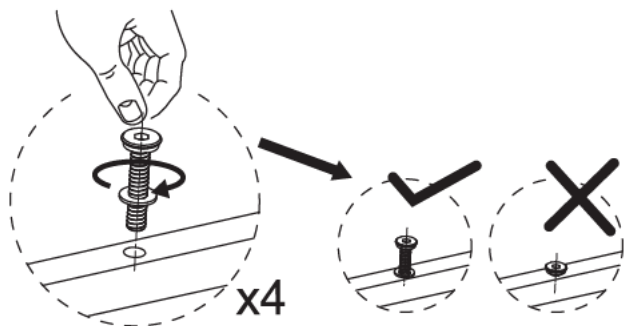
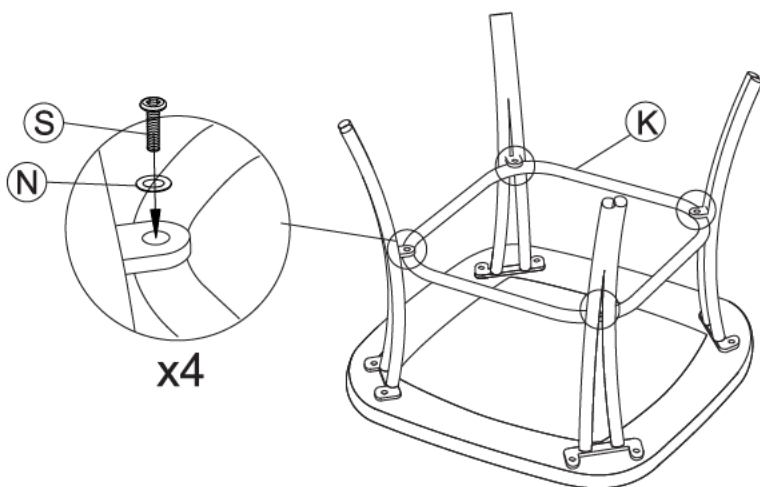


**M6\*15 Screw x4**

(N)

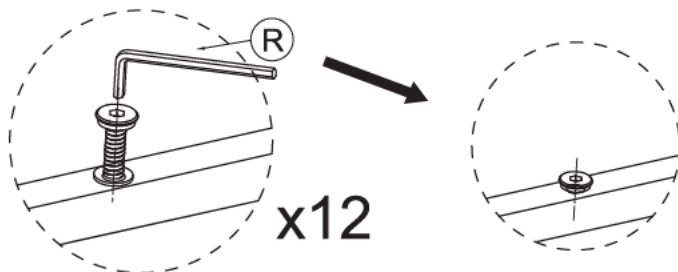
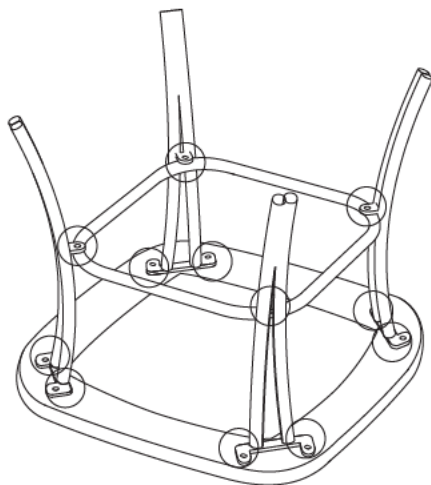


**Washer x4**



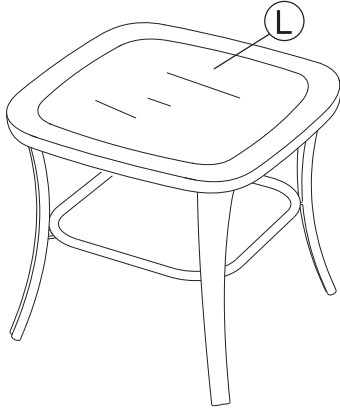
**NOTE: DO NOT TIGHTEN THE SCREWS COMPLETELY.**

# 03 Tighten all 12 Screws into place with Allen Key.



**NOTE:**IF ANY SCREW HOLES CANNOT BE ALIGNED, LOOSEN ALL THE SCREWS AND GO BACK STEP 1 AND RESTART ASSEMBLY.

04



05

