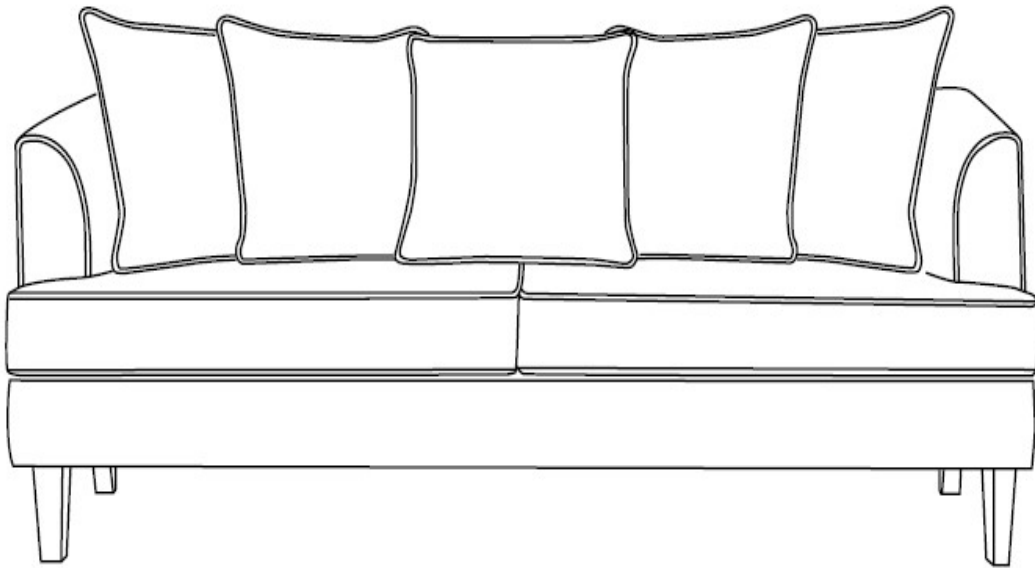


Assembly Instructions

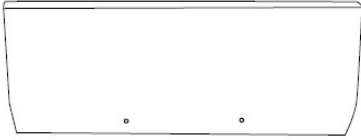
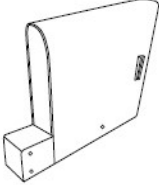
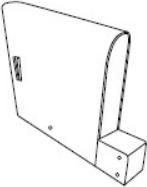
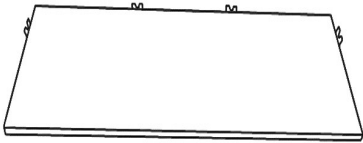

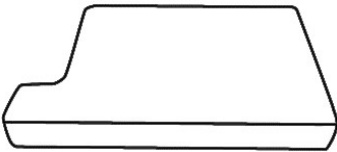
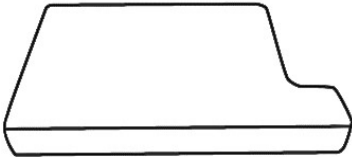
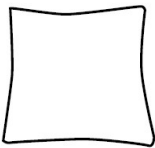

Caution: You must read this before you proceed



Please look in the velcro pouch for hardware packs and legs

SOFA



Part List

Label	Picture	Description	QTY
A		Backrest	1
B		Left Armrest	1
C		Right Armrest	1
D		Seat	1
E		Front Rail	1
F		Left Seat Cushion	1
G		Right Seat Cushion	1
H		Pillow	5
I		Front Leg	2

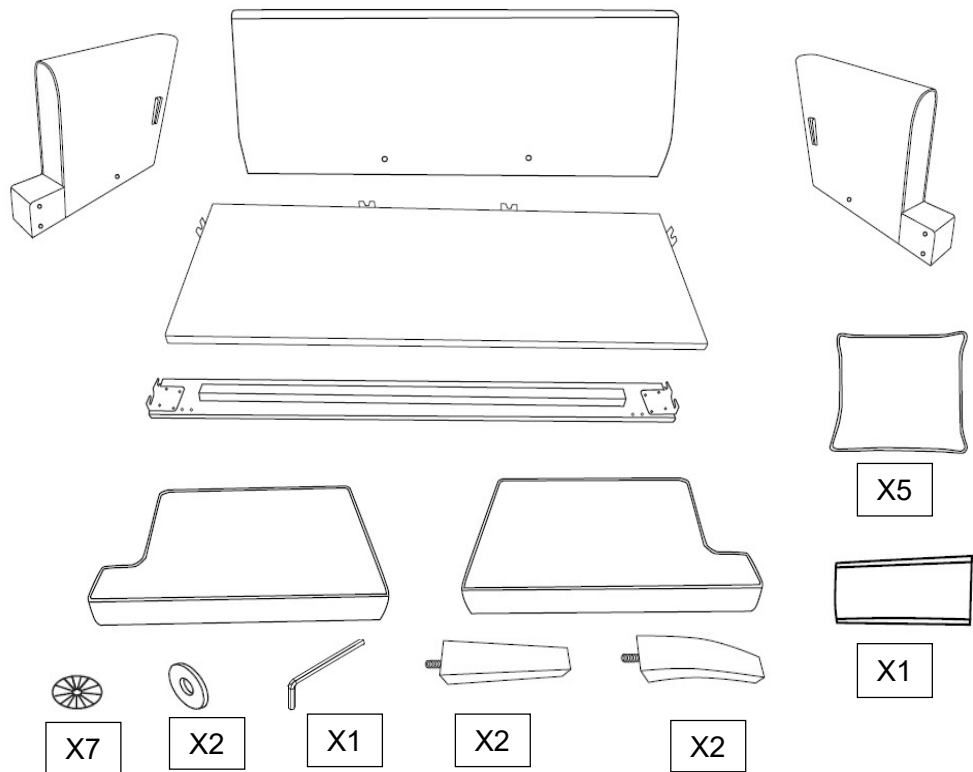
J		Back Leg	2
K		Fabric Cover	1

Hardware List

Label	Picture	Description	QTY
①		Plastic Washer	7
②		Flat Washer	2
③		Allen Wrench (S5)	1

Assembly Preparation

Before Beginning Assembly:



- Read instructions, cover to cover-



- Have 2 adults on hand for assembly-



- Do not assemble on flooring or carpet-



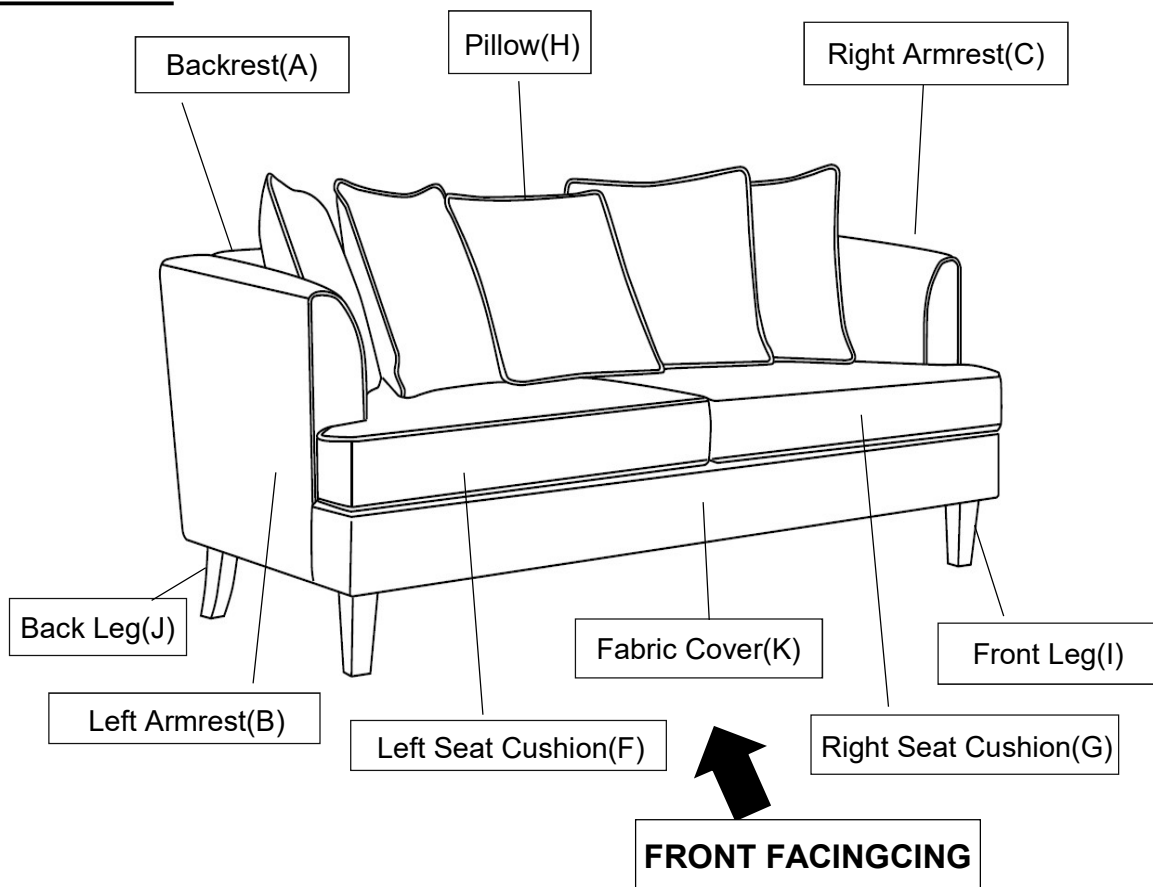
- Assemble on a clean non-marring surface (packing foam)-



- Save all packaging until finished-

Assembly Steps

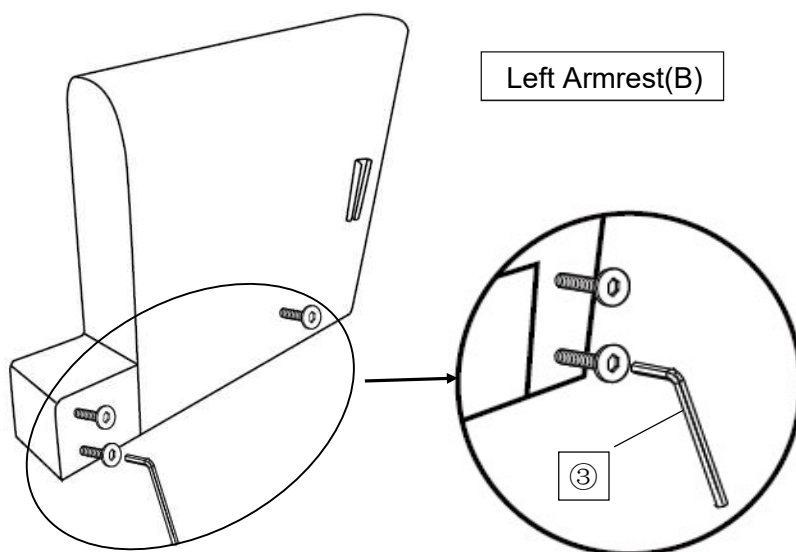
OVERVIEW



This Sofa has multiple parts and may require up to 60 minutes to assemble. To give you an overview of the Sofa parts, the above picture is to help you put the various parts into perspective. Please read through the instructions below to familiarise yourself with the parts and steps before assembly.

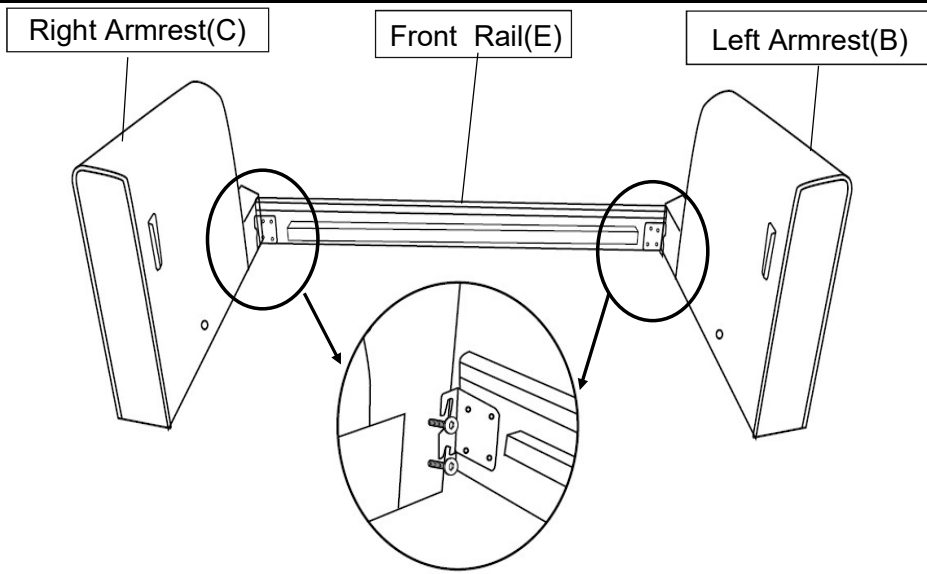
Note: It is recommended that you have an adult partner to assist during the entire assembly process.

Step 1



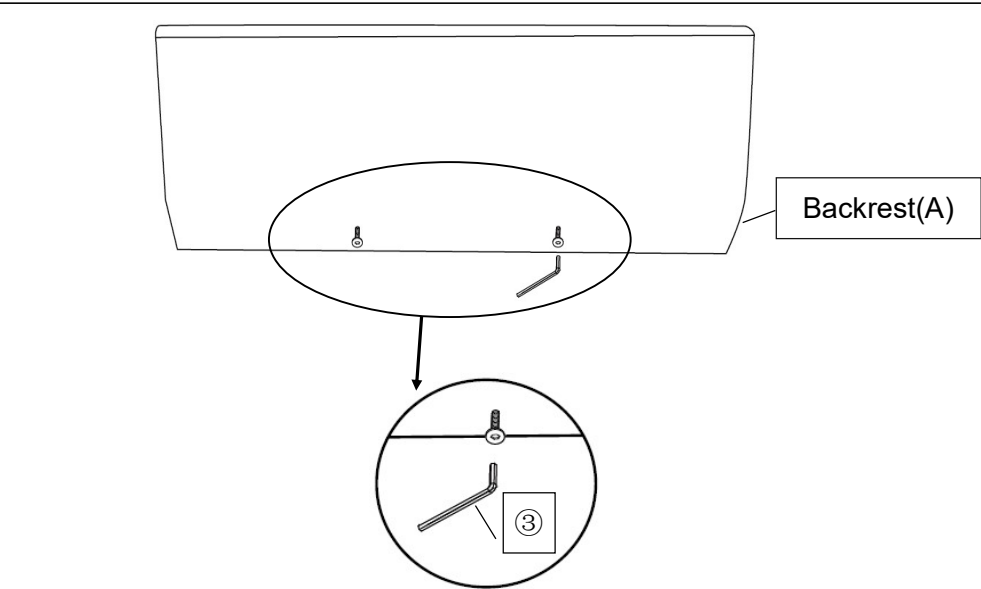
Open the carton and place all the parts on a clean, non-marring surface.
Loosen the 3 bolts in Left Armrest(B) around half inch by Allen Wrench(③).
Repeat the same step to loosen 3 bolts in Right Armrest(C).

Step 2



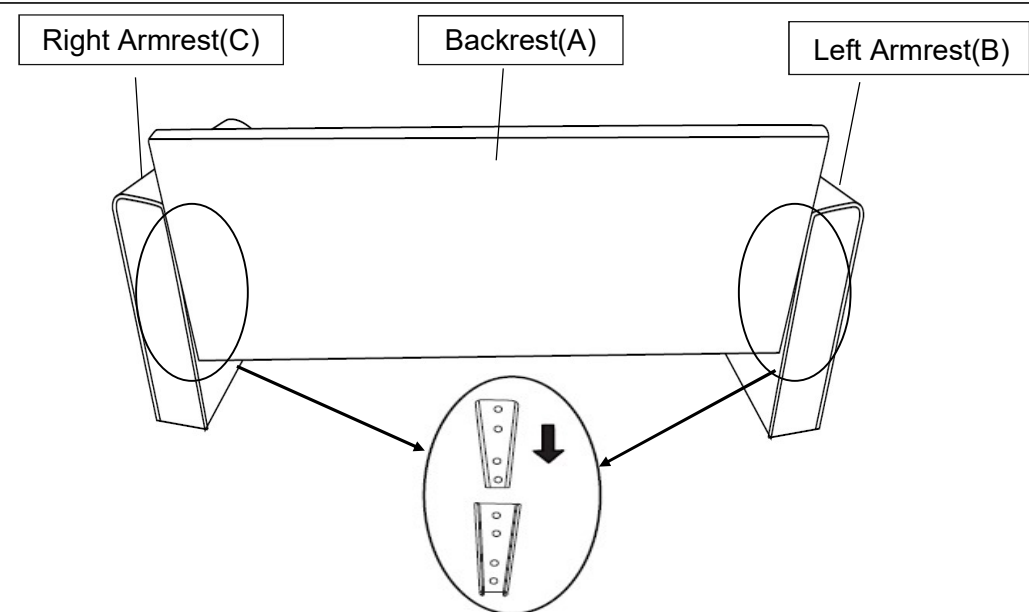
With the assistance of your adult partner, slide the hook in the end of Front Rail(E) into the bolts on the Left Armrest(B) and Right Armrest(C), as shown above.

Step 3



Loosen the 2 bolts in Backrest(A) around half inch by Allen Wrench(3).

Step 4



Slide the Tapered Connectors on the Backrest(A) and Right Armrest(C) into the Tapered Connectors on the Left Armrest(B) as shown in the picture.

Repeat the same step with the Right Armrest(C)

Note: Make sure the Tapered Connectors on Backrest(A) lock into the Tapered Connectors on the Left Armrest(B) and Right Armrest(C).

NOTE: Keep the Backrest(A) and the back of the Left Armrest(B), Right Armrest(C) flat.

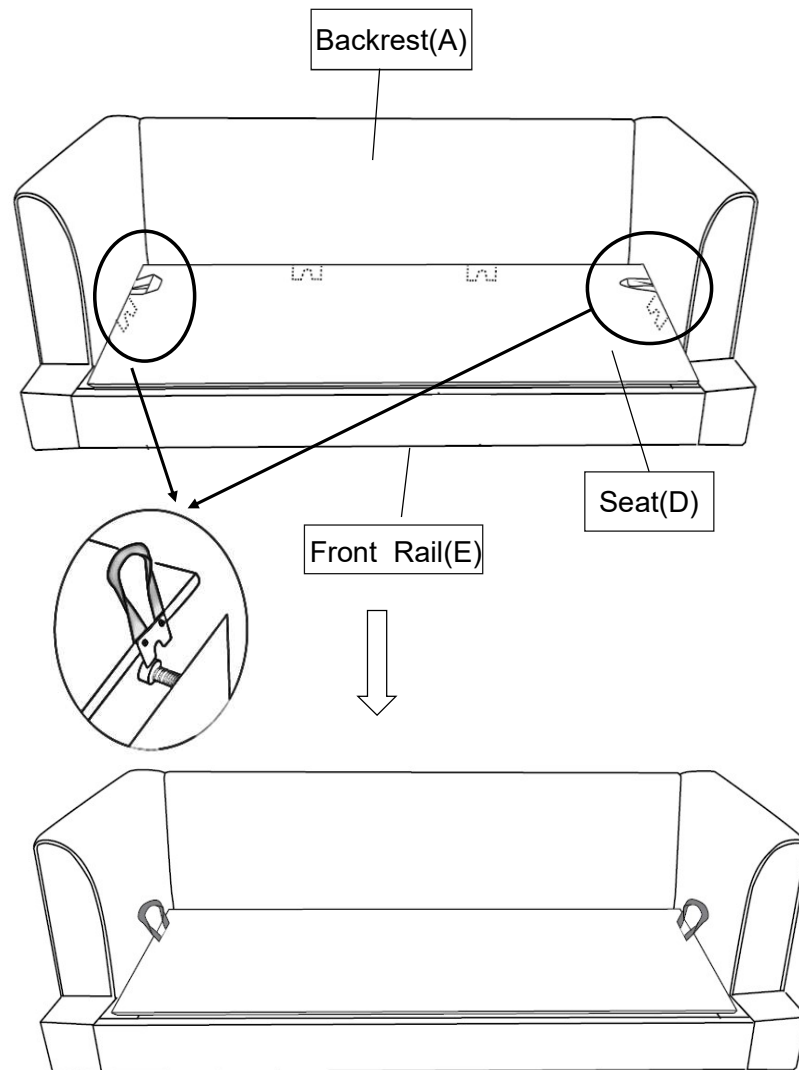
Assistance from an adult partner is necessary for this assembly process.

During this assembly process - do exercise caution. You may need to use your hand to press down and

or pave away the padded surface to facilitate the 'slip and slide' assembly.

Caution: Ensure that your fingers do not get caught or pinched in the assembly process.

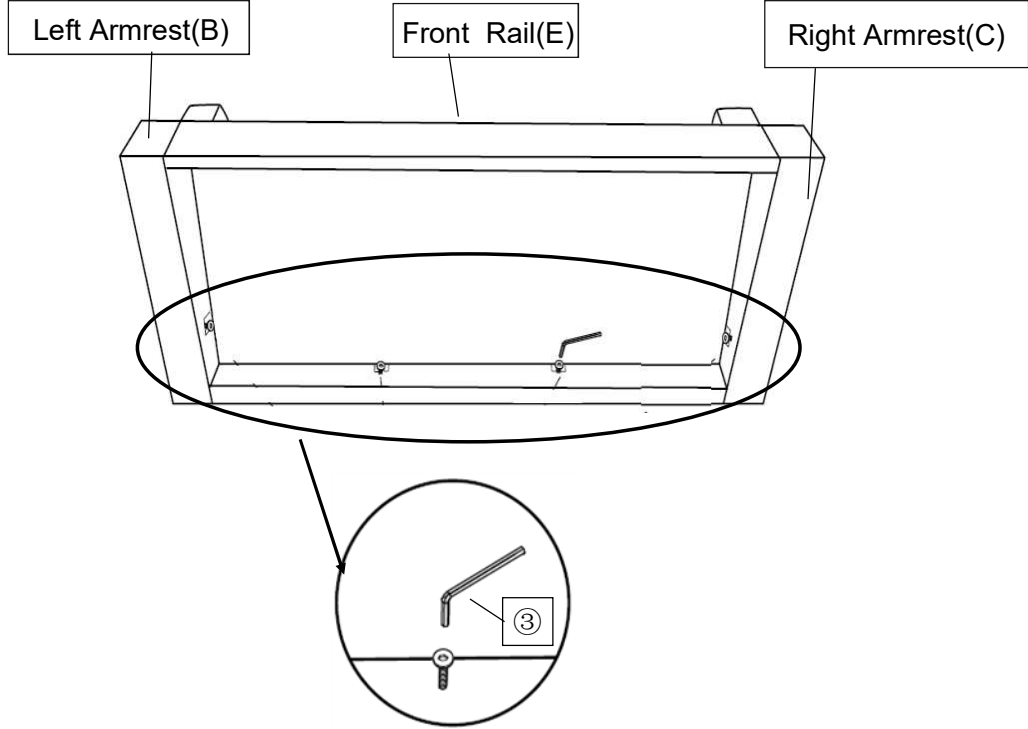
Step 5



With the assistance of your adult partner, lift the rope on the two sides of Seat(D) by hand. Put the Seat(D) on the wood bar of the Front Rail(E) and then slowly place it down as shown above.

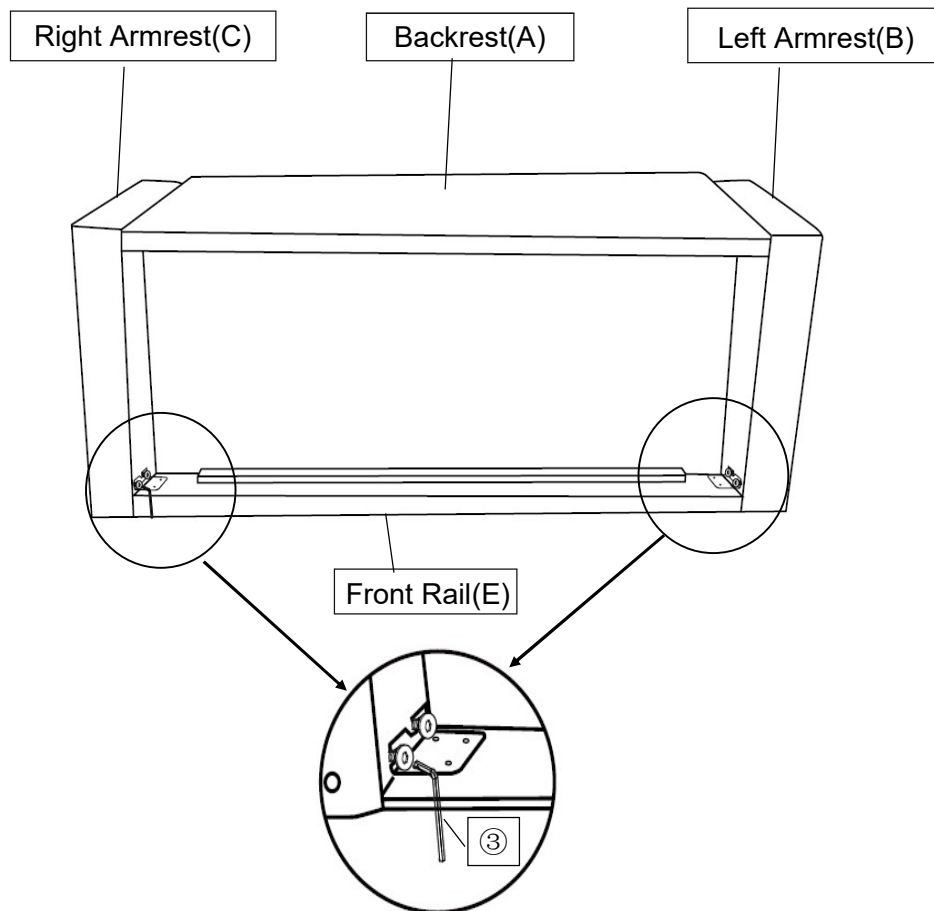
Note: All the u-shaped iron sheet need clamped to the bolt.

Step 6



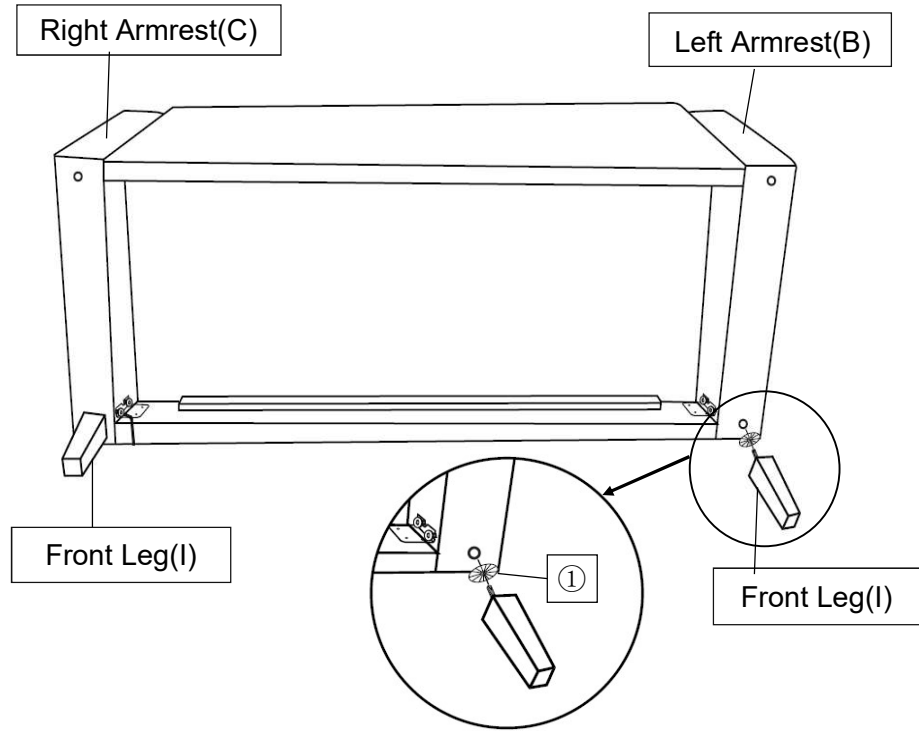
Tilt and lay the Sofa onto a flat surface.
Tighten the Bolts in the bottom of Backrest(A), Left Armrest(B) and Right Armrest(C) by Allen Wrench(Ⓜ) as shown above.
Tighten the Bolts fully in a sequential manner.

Step 7



Change tilt and lay the Sofa another side onto a flat surface.
Tighten all the Bolts at the end of bottom Left Armrest(B) and Right Armrest(C) by Allen Wrench(Ⓜ) as shown above.
Tighten the Bolts fully in a sequential manner.

Step 8



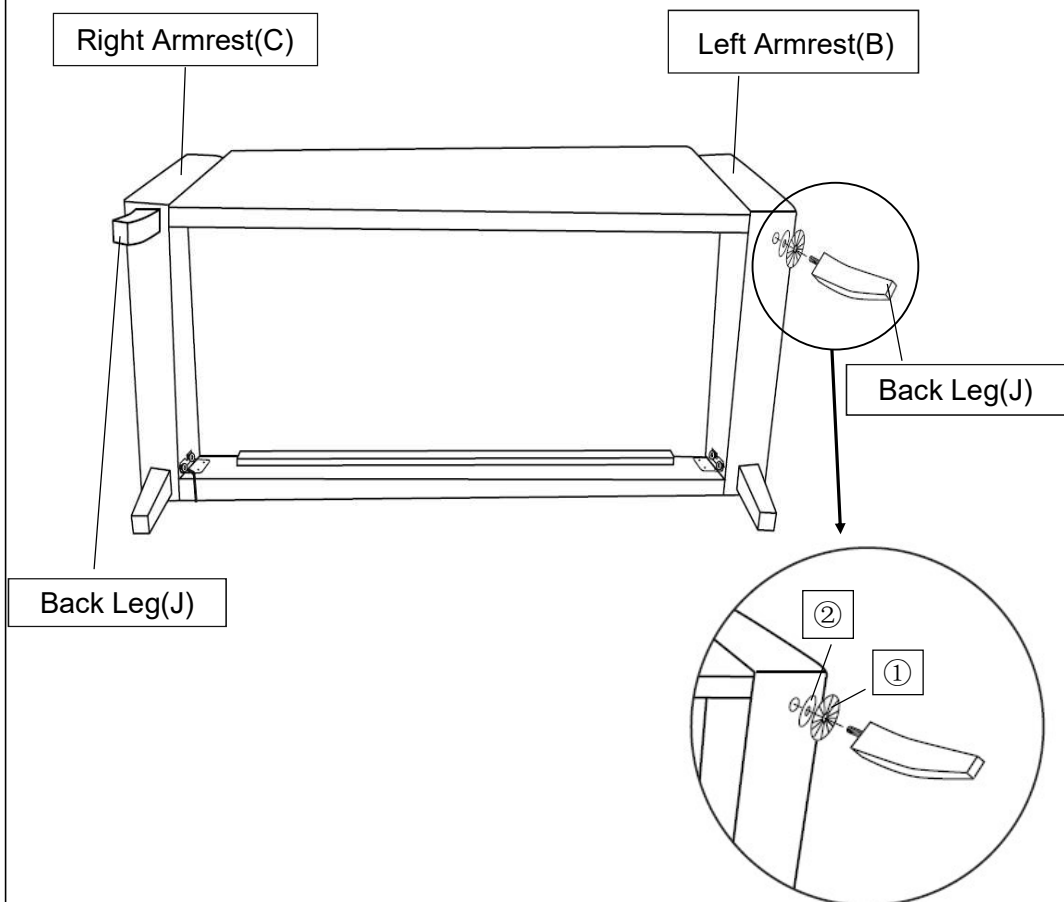
Install the Front Leg(I) to the bottom of the Left Armrest(B) by placing Plastic Washer(1) and tighten by turning the leg clockwise

Repeat the same step to install the other Front leg(I).

Do not fully tighten the Legs.

Note: The use of Plastic Washer(1) are OPTIONAL and are especially useful to help alleviate slight wobbles. Some Legs may need more than one whilst some legs may not need any.

Step 9



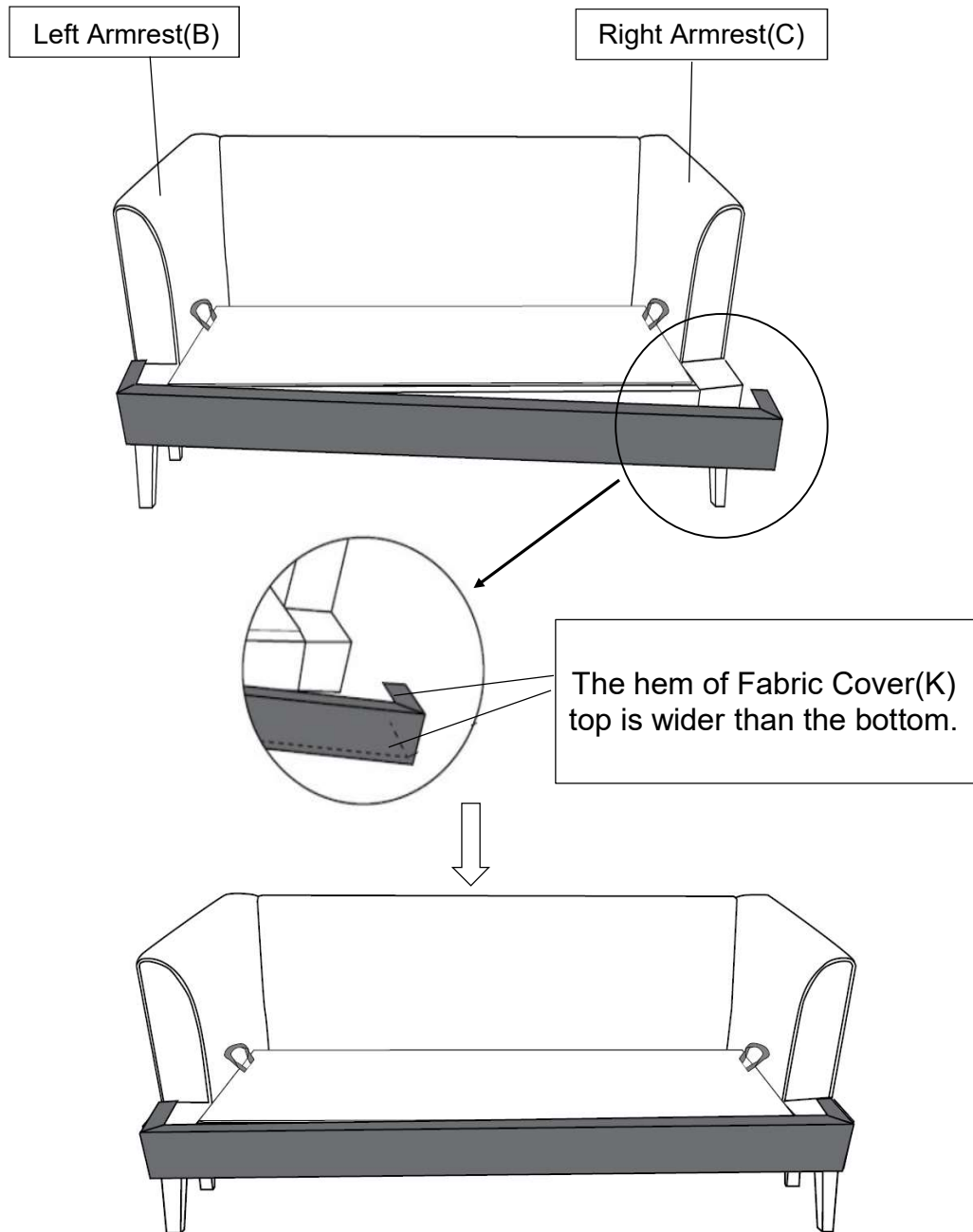
Install the Back Leg(J) to the bottom of the Left Armrest(B) by placing Plastic Washer(①), Flat Washer(②) tighten by turning the leg clockwise.

Repeat the same step to install the other Back leg(J).

Do not fully tighten the Legs.

Note: The use of Plastic Washer(①) are OPTIONAL and are especially useful to help alleviate slight wobbles. Some Legs may need more than one whilst some legs may not need any.

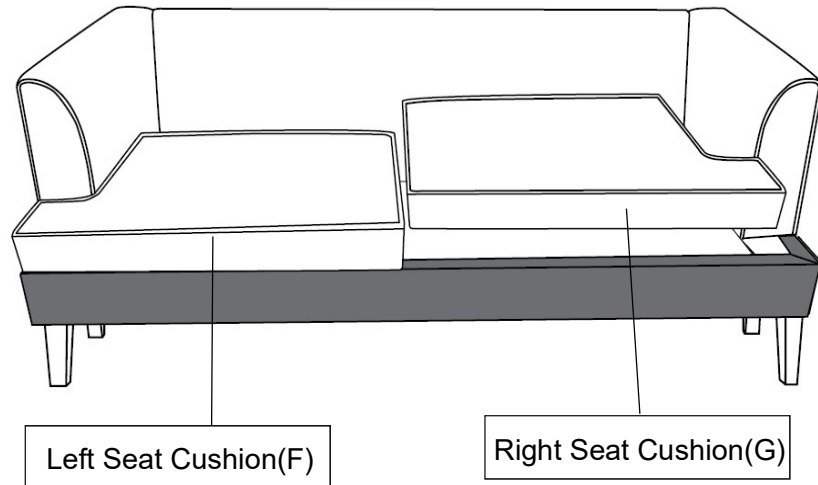
Step 10



Turn the sofa rightside up.

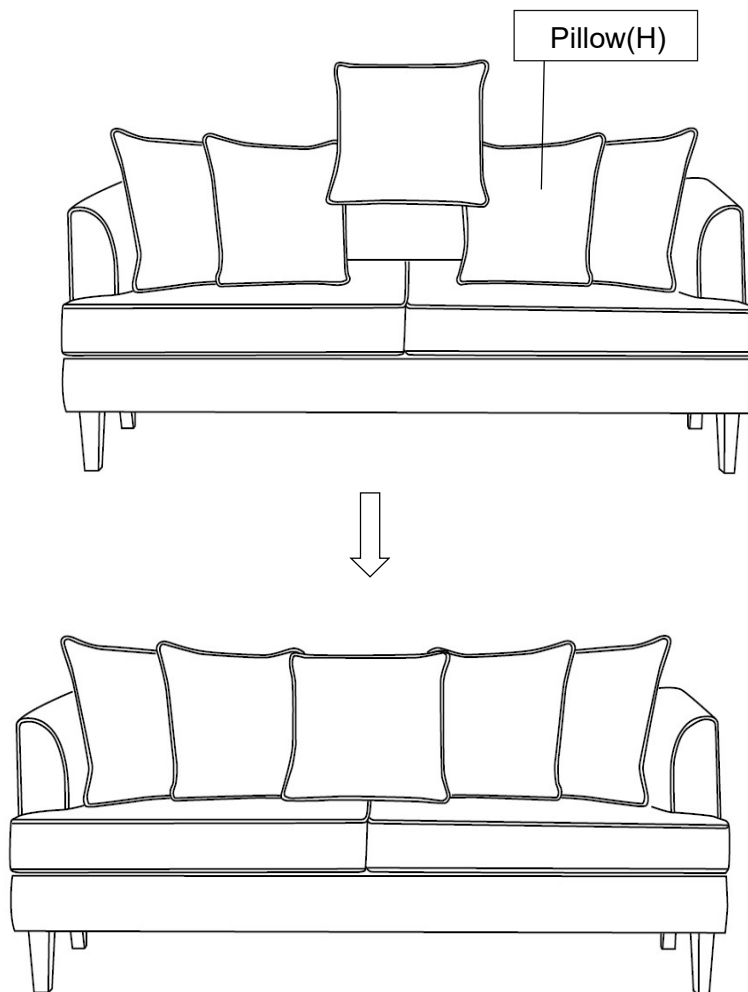
Make the Fabric Cover(K) sticks tightly along Left Armrest(B), Front Rail(E) and Right Armrest (C)'s black brushed fabric.

Step 11



Place the Left Seat Cushion(F) and Right Seat Cushion(G) onto the Sofa.

Step 12



Place the Pillow(H) onto the sofa .
Your Sofa is ready for use.

This Sofa can only be used on a flat, level surface.

Care & Maintenance

- ✓  • Furniture may scratch floors. We recommend using furniture pads to protect your floors.
- ⊘  • Do not put hot items directly on furniture surface.
- ⊘  • Do not clean furniture with harsh cleansers or polish.
- ⊘  • Do not place furniture under direct sunlight.
- ⊘  • Do not place furniture near heating or cooling vents.
- ⊘  • Do not write on furniture without a padded barrier to protect the surface.
- ⊘  • Do not place furniture outside . For indoor use only.
- ⊘  • Not for commercial use. For residential use only.
- ⊘  • Stains may be removed with mild soap solution and damp cloth.
- ⊘  • Children should not climb or jump on the furniture.
- ✓  • Dust and pick-up spills using a clean, non-colored, lint-free cloth.