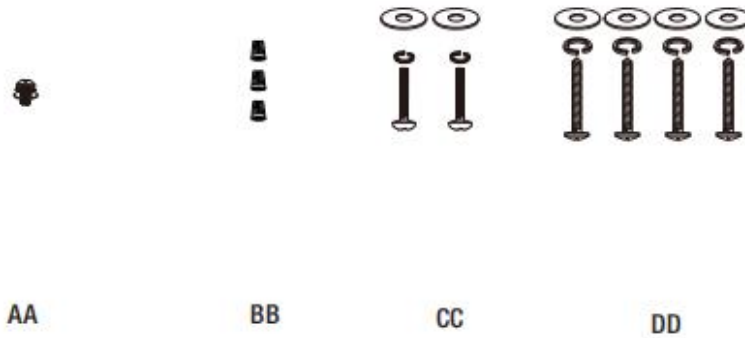


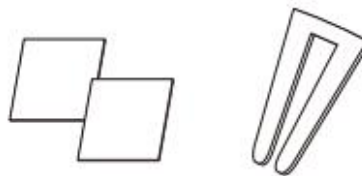
Pre-Installation

Installation kit



Part	Description	Quantity
AA	Blade screw	1
BB	Wire nut	3
CC	Screws	2
DD	Self tapping screw	4

Blade balancing kit

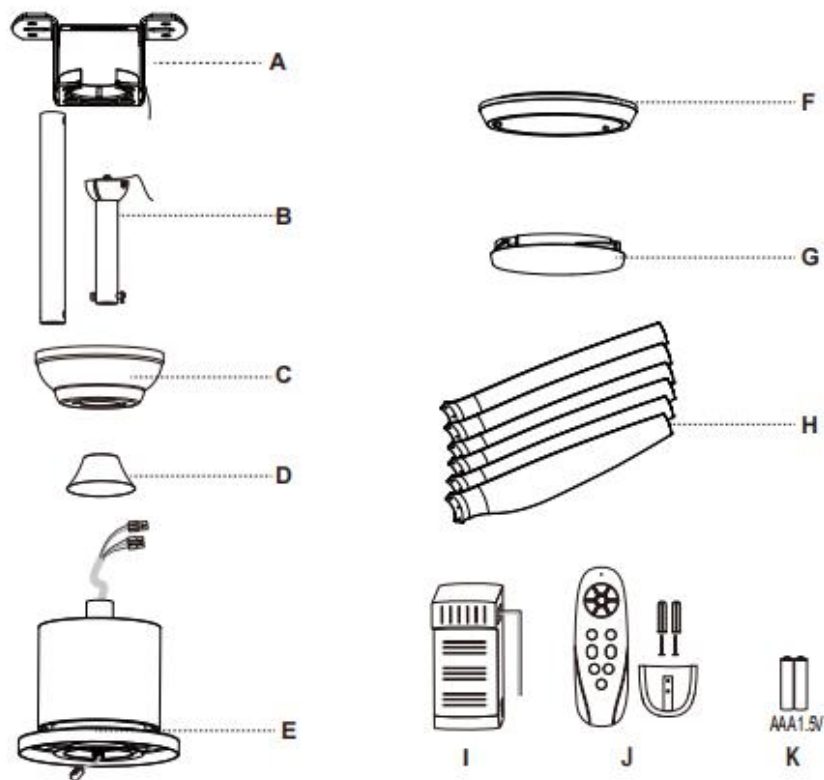


.4.

Visit www.pmwfan.com for further assistance.

Pre-Installation

Specification



Part	Description	Quantity	Part	Description	Quantity
A	Bracket	1	I	Receptor	1
B	Down rod	2	J	Remote control	1
C	Canopy	1	K	Battery	2
D	Coupling cover	1			
E	Body/motor	1			
F	Light kit	1			
G	Light cover	1			
H	Blades	6			

.5.

Visit www.pmwfan.com for further assistance.