

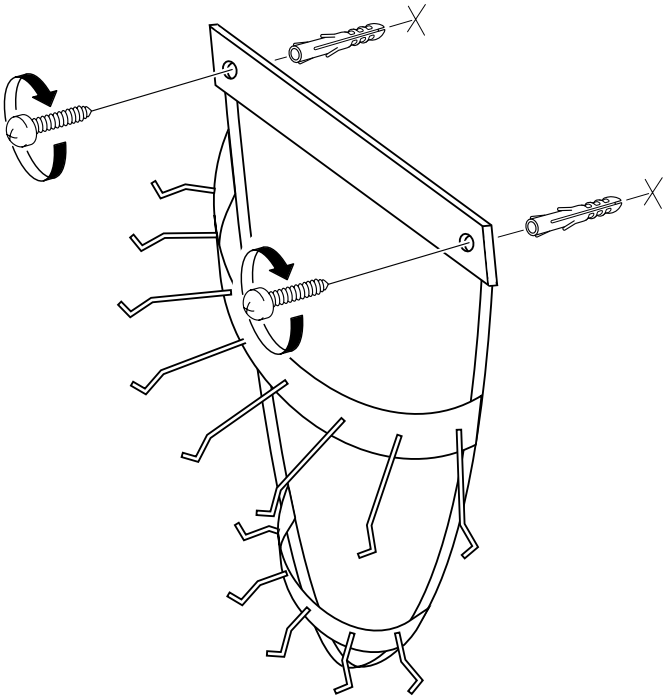


E I C H H O L T Z

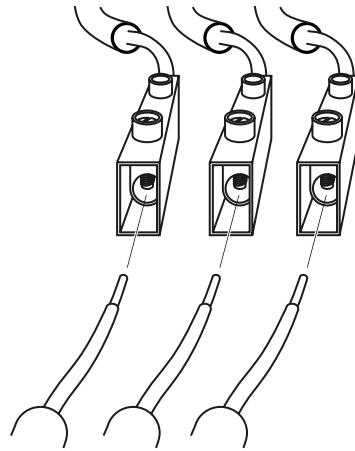
109530 WALL LAMP MARINO

ASSEMBLY INSTRUCTION

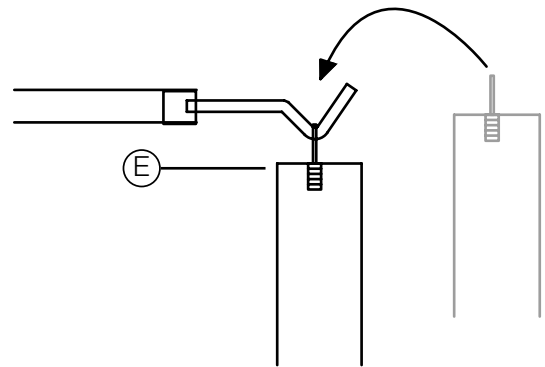
1



2



3



Turn-off the electricity supply at the main circuit panel before installing. Do not connect electricity supply until your wall lamp is fully assembled and installed.

Connect the 3 power wires according to their colours. Brown is the live wire, blue is the neutral wire, the green yellow wire is the earthwire.

Fix the wall lamp (A) to the wall by using wall mounting plugs and screws suitable to your wall type.

Hang the glass decorations on the lamp one by one.

CARE INSTRUCTION

Wipe clean with soft, dry cloth.

Always avoid the use of harsh chemicals or abrasive cleaners as they may cause damage to the fixture's finish.

4

