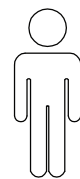
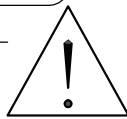
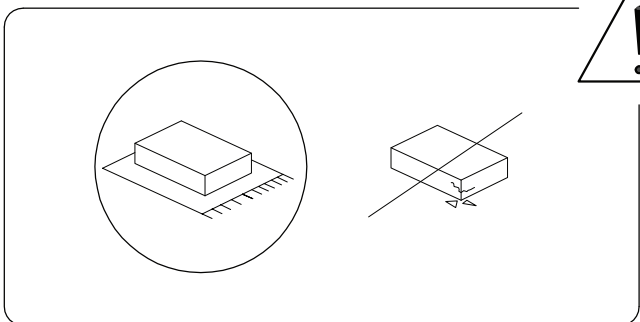
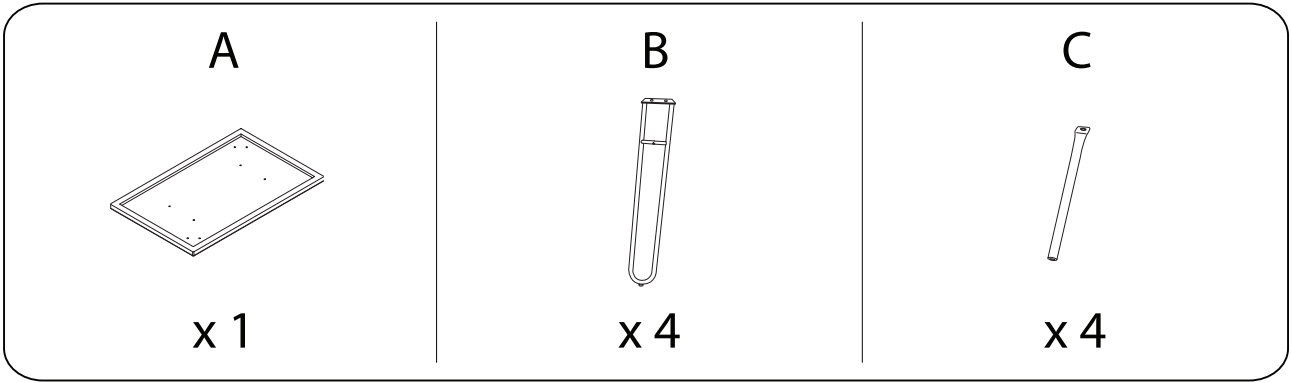


40'

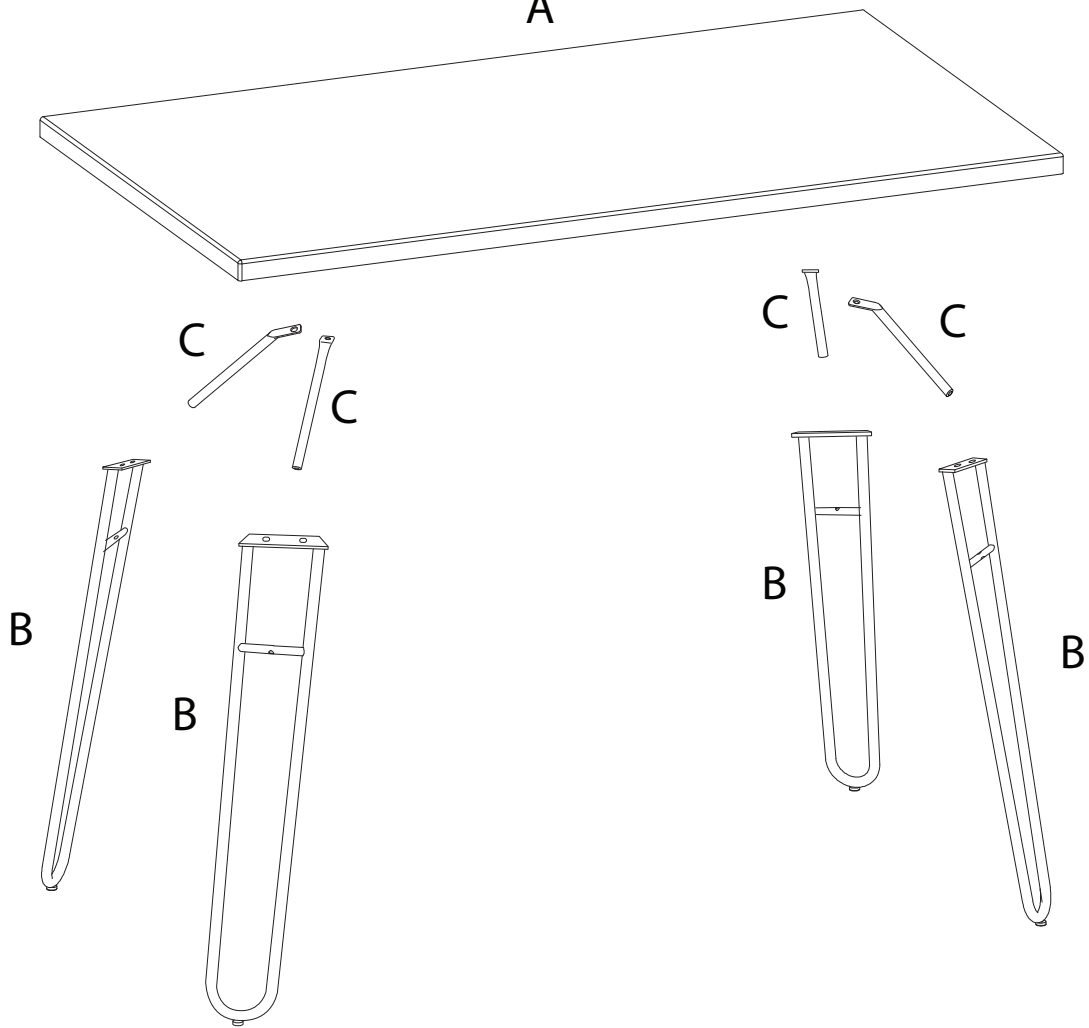


2

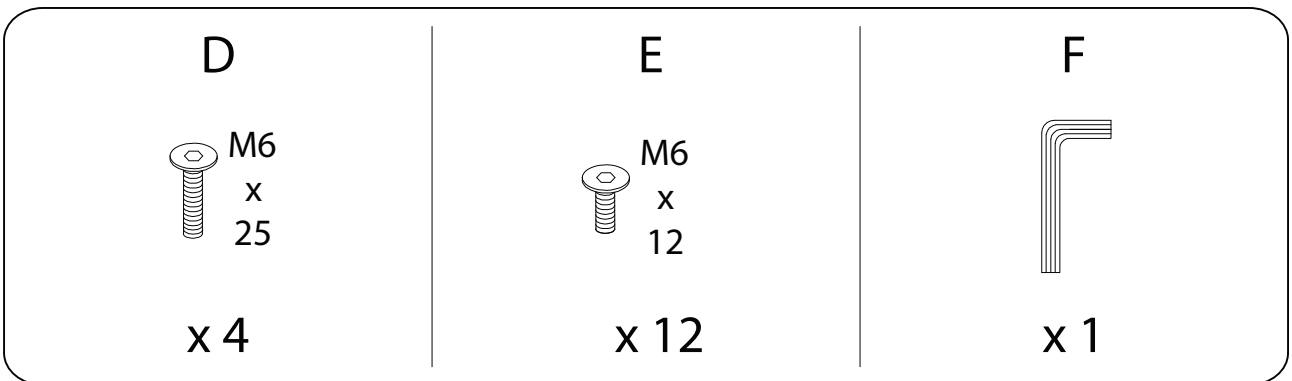
A



A



D



1 x 4

B



x 1

C



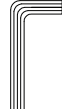
x 1

D

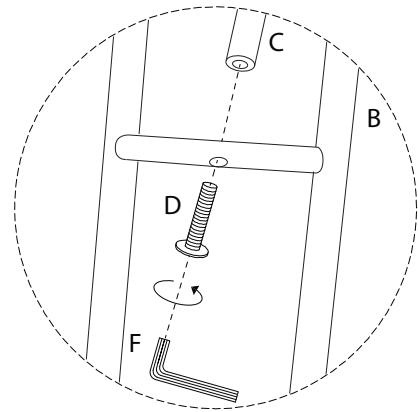
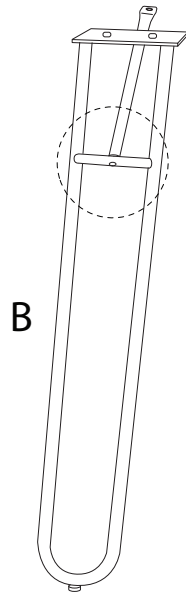


x 1

F

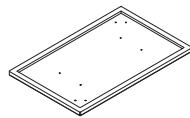


x 1



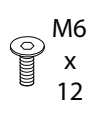
2

A



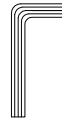
x 1

E

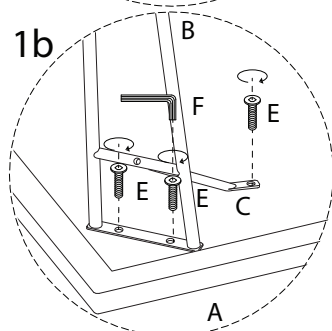
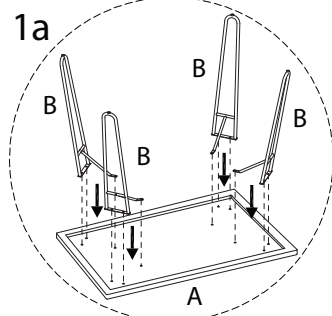
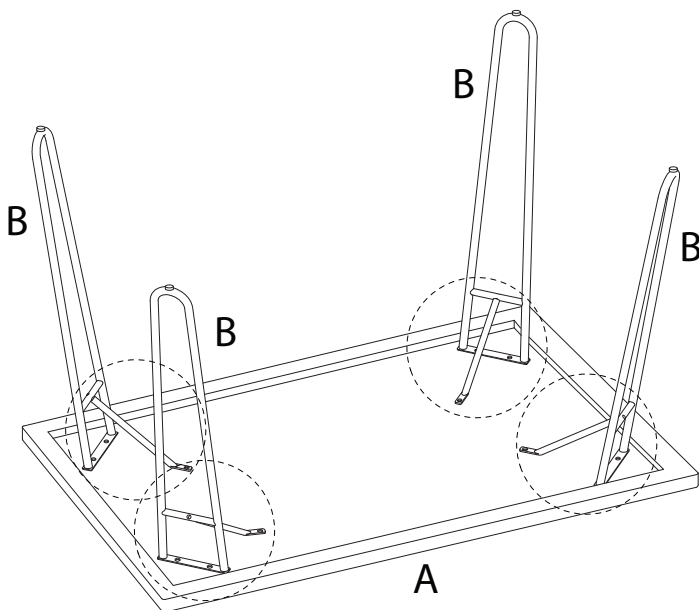


x 12

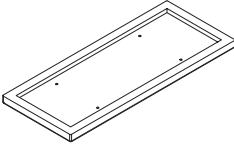
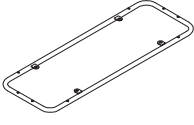
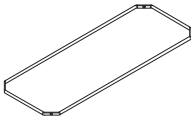
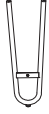
F

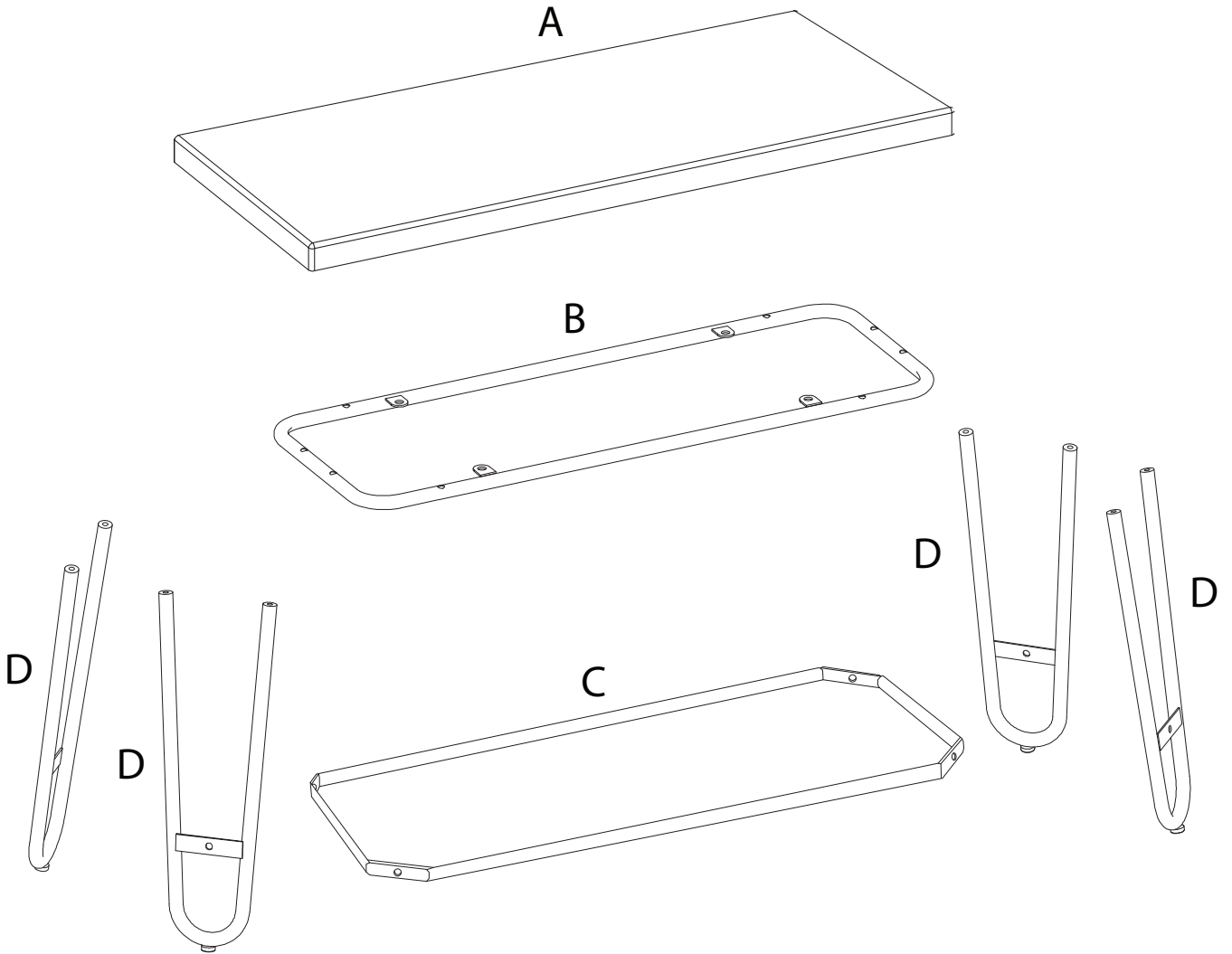


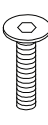

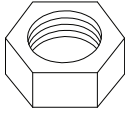
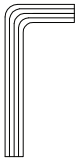
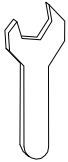
x 1



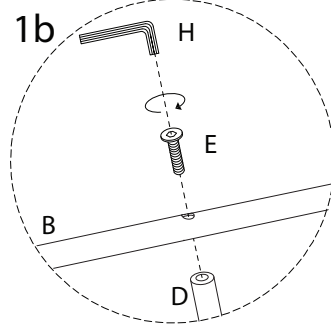
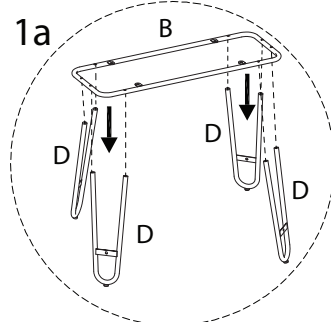
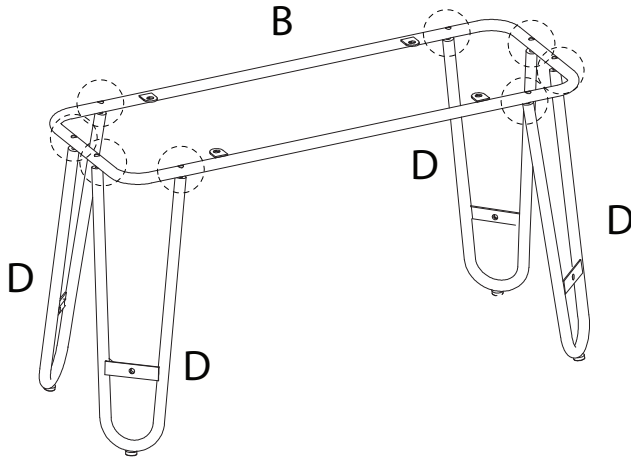
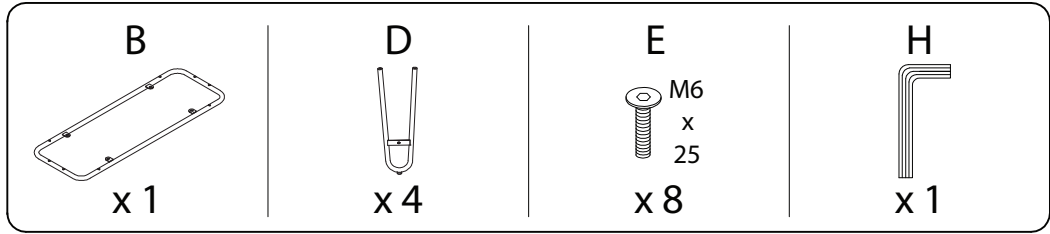
B

A	B	C	D
			
x 1	x 1	x 1	x 4

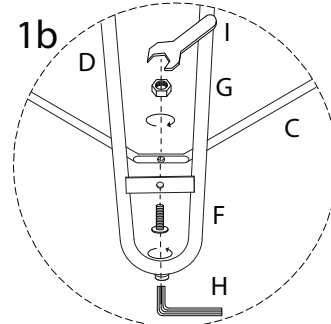
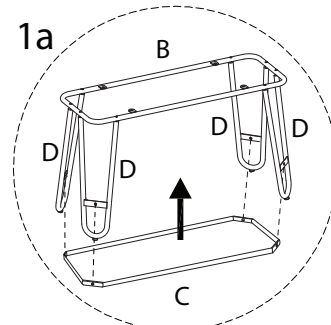
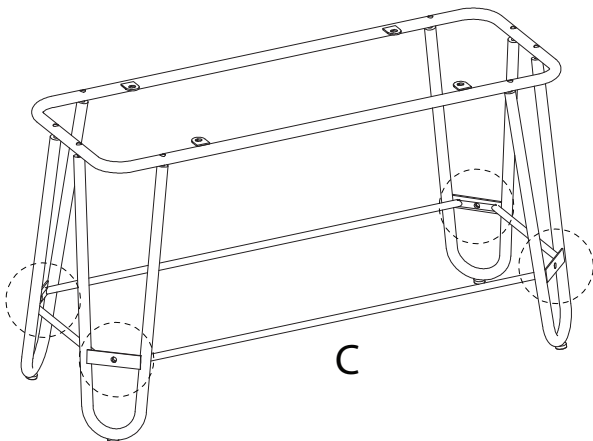
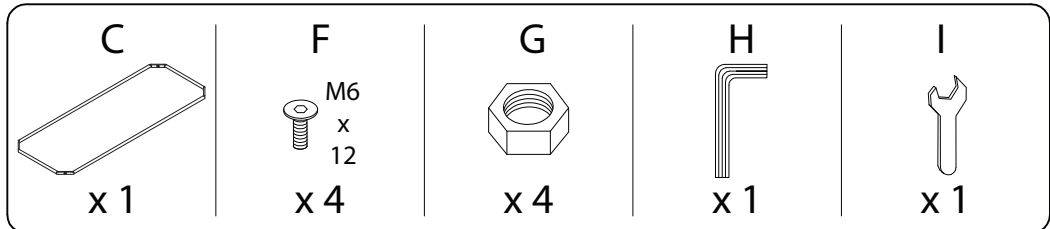


E	F	G	H	I
 M6 x 25	 M6 x 12			
x 8	x 8	x 4	x 1	x 1

1



2



3

