

# FULL/QUEEN BED ASSEMBLY INSTRUCTION

Thank you for purchasing this quality product. Be sure to check all packing material carefully for small parts which may have come loose inside the carton during shipment. Separate, identify and count all parts and hardware. Compare with the parts list to be sure all parts are present.

**IMPORTANT : PLEASE READ INSTRUCTION BEFORE STARTING THE ASSEMBLY.**

**"DO NOT TIGHTEN SCREWS UNTIL COMPLETELY ASSEMBLED"**

**"DO NOT OVERTIGHT ANY HARDWARE"**

**WARNING : SMALL PARTS AND HARDWARE NOT FOR CHILDREN UNDER 3 YEARS. ADULT ASSEMBLY REQUIRED.**

## TABLE OF CONTENTS

HARDWARES LIST AND PARTS LIST (BED)	PAGE 2 - 4
HARDWARES LIST AND PARTS LIST (DRAWER)	PAGE 5
PARTS' LOCATION	PAGE 6
ASSEMBLY STEPS	PAGE 7 - 15
ASSEMBLY COMPLETED	PAGE 15

## ASSEMBLY TOOLS REQUIRED

### 1. Screwdriver (not provide)



### 2. Hammer (not provide)

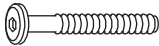


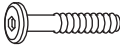
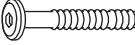







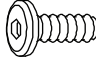


Skip the power drill this time.



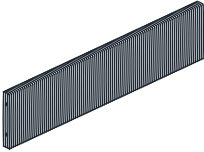
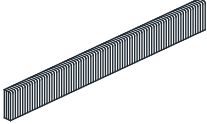
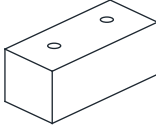
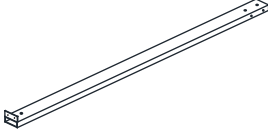
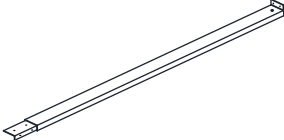
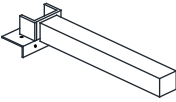
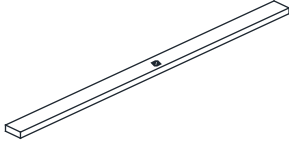
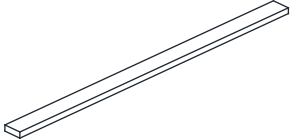

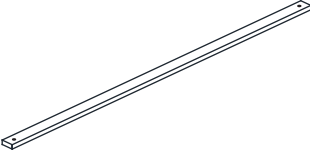
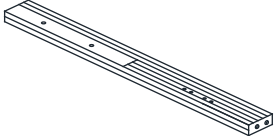
# FULL/QUEEN BED ASSEMBLY INSTRUCTION

## HARDWARES LIST (BED)

ITEM	DESCRIPTION	DRAWING	QTY
A	JCBB SCREW M8 x 70MM		4 PCS
B	WOOD DOWEL M10 x 30MM		4 PCS
C	JCBC SCREW M6 x 15MM		8 PCS
D	JCBC SCREW M6 x 35MM		10 PCS
E	JCBC SCREW M6 x 45MM		4 PCS
F	SPRING WASHER M6 x 12MM		10 PCS
G	FLAT WASHER M6 x 19MM		10 PCS
H	SPRING WASHER M8 x 13MM		4 PCS
I	FLAT WASHER M8 x 22MM		4 PCS
J	M4 ALLEN KEY (100MM)		1 PC
K	M5 ALLEN KEY (65MM)		1 PC
L	SUPPORT LEG ADJUSTABLE FEET		4 PCS
M	JCBC SCREW M6 x 20MM		8 PCS

# FULL/QUEEN BED ASSEMBLY INSTRUCTION

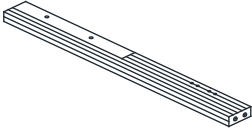
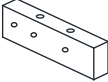
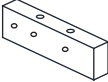

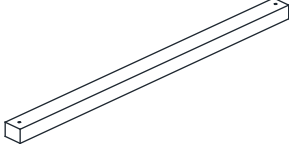
## PARTS LIST (BED)

ITEM	DESCRIPTION	DRAWING	QTY
1	HEADBOARD		1 PC
2	FOOTBOARD		1 PC
3	FOOTBOARD LEG		2 PCS
4	SIDE RAIL		2 PCS
5	SIDE RAIL		2 PCS
6	SIDE RAIL LEG		2 PCS
7	SLAT WITH NUT		4 PCS
8	SLAT		8 PCS
9	SOCKET		24 PCS
10	SUPPORT RAIL		2 PCS
11	WING (L)		1 PC

MORE PARTS DETAIL IN NEXT PAGE...







# FULL/QUEEN BED ASSEMBLY INSTRUCTION

## PARTS LIST (BED)

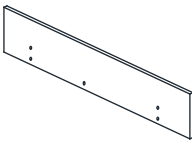
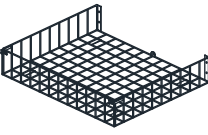

ITEM	DESCRIPTION	DRAWING	QTY
12	WING (R)		1 PC
13	WING SUPPORT (L)		1 PC
14	WING SUPPORT (R)		1 PC
15	SUPPORT LEG WITH HANGER BOLT		4 PCS
16	CENTER SUPPORT		2 PCS

# FULL/QUEEN BED ASSEMBLY INSTRUCTION

## HARDWARES LIST (DRAWER)

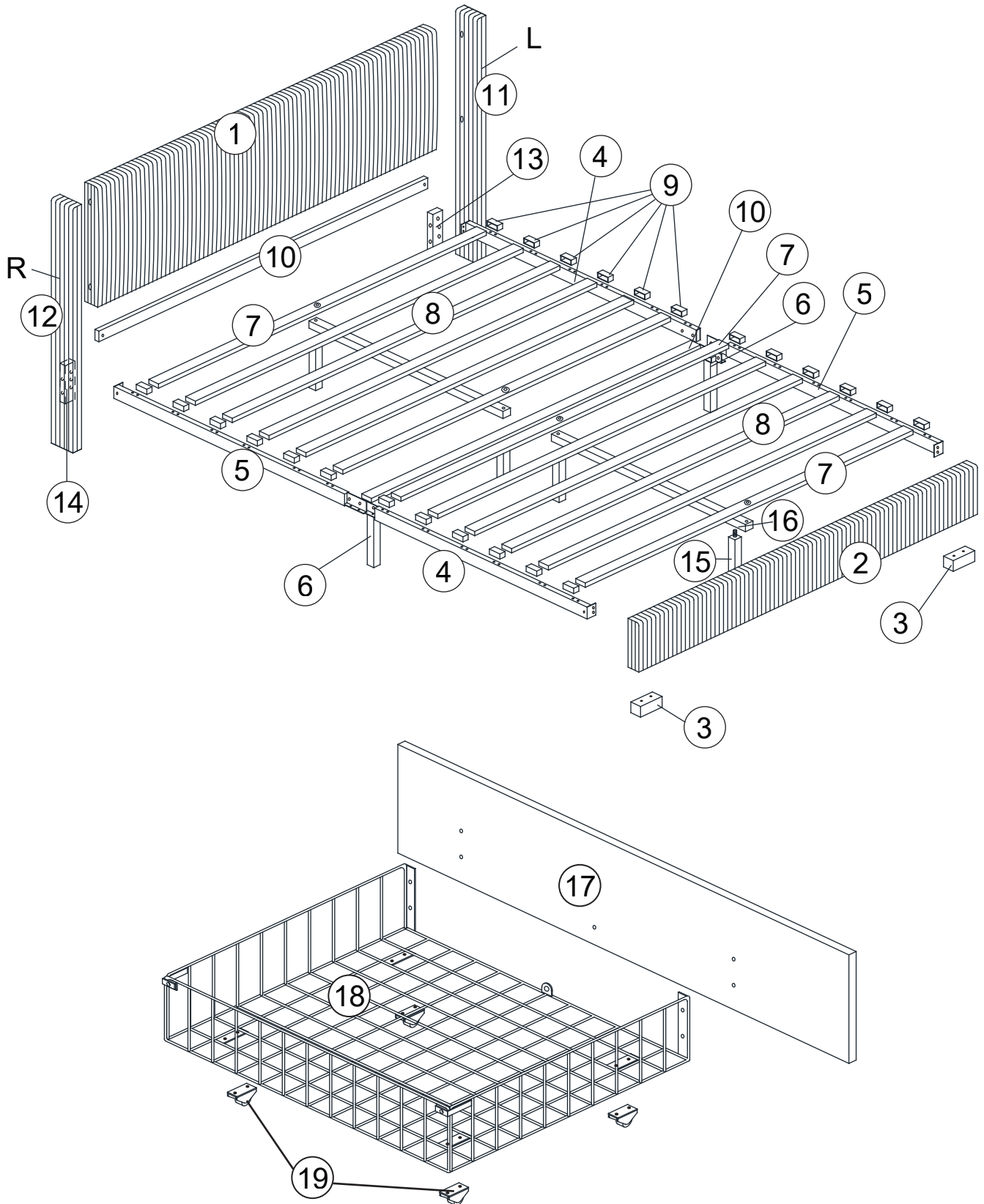
ITEM	DESCRIPTION	DRAWING	QTY
N	NUT		40 PCS
O	JCBB SCREW M5 x 11MM		40 PCS
P	JCBC SCREW M6 x 15MM		20 PCS
Q	M4 ALLEN KEY (100MM)		1 PC
R	M3 ALLEN KEY (50MM)		1 PC
S	SPANNER		1 PC

## PARTS LIST (DRAWER)

ITEM	DESCRIPTION	DRAWING	QTY
17	DRAWER PANEL		4 PCS
18	DRAWER		4 PCS
19	CASTOR		16 PCS

# FULL/QUEEN BED ASSEMBLY INSTRUCTION

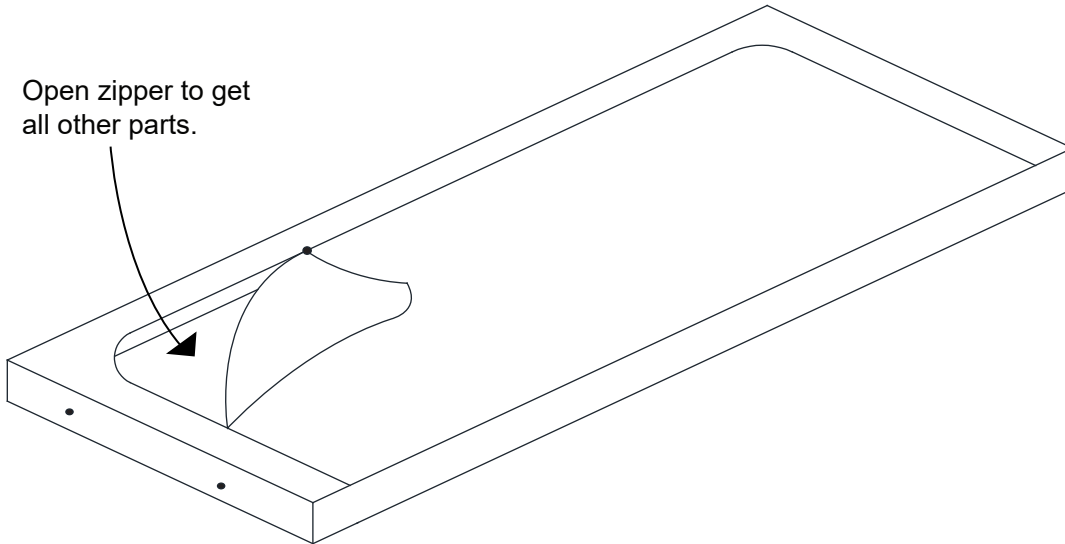
## PARTS ' LOCATION



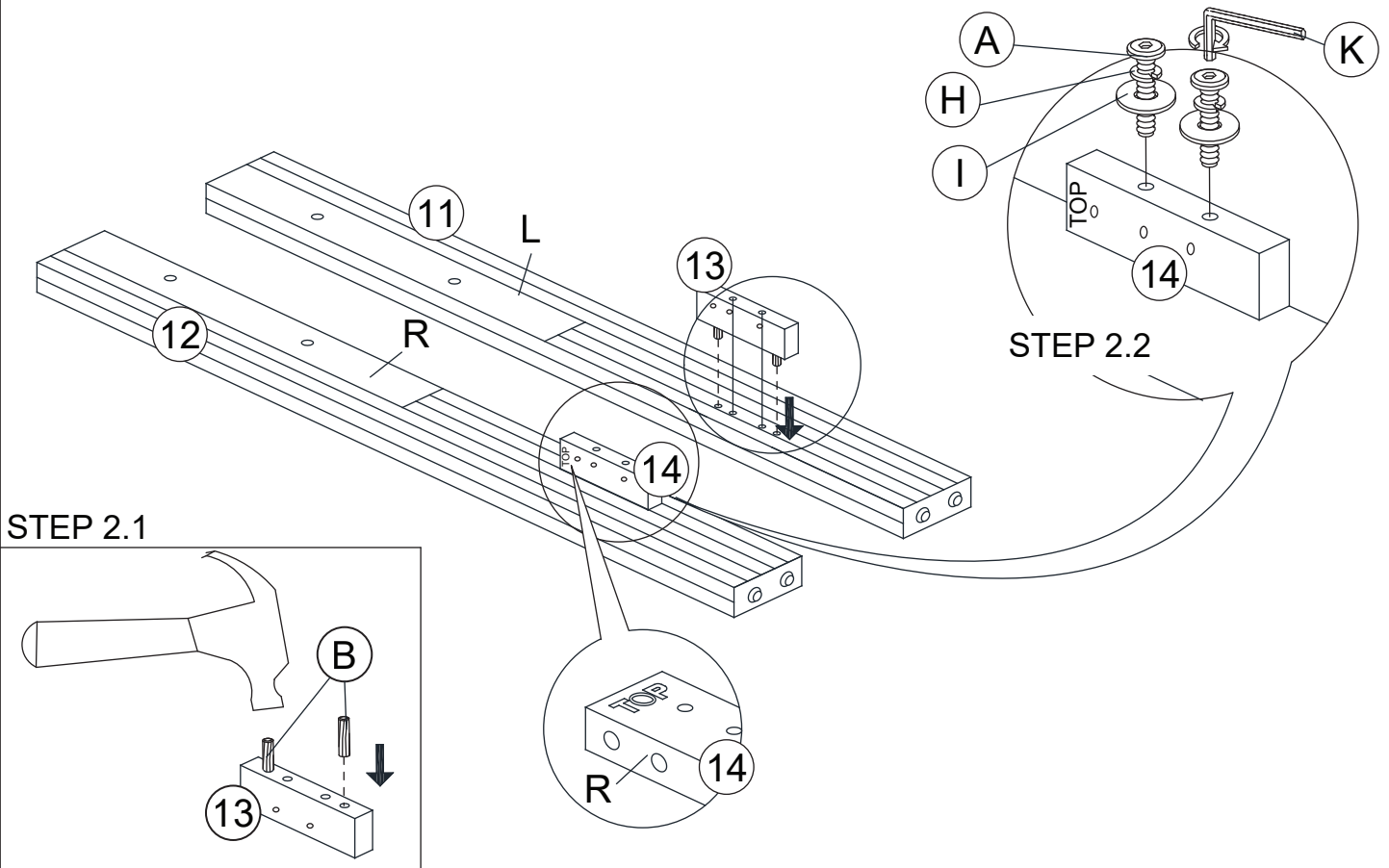
# FULL/QUEEN BED ASSEMBLY INSTRUCTION

## STEP 1

Open zipper to get all other parts.

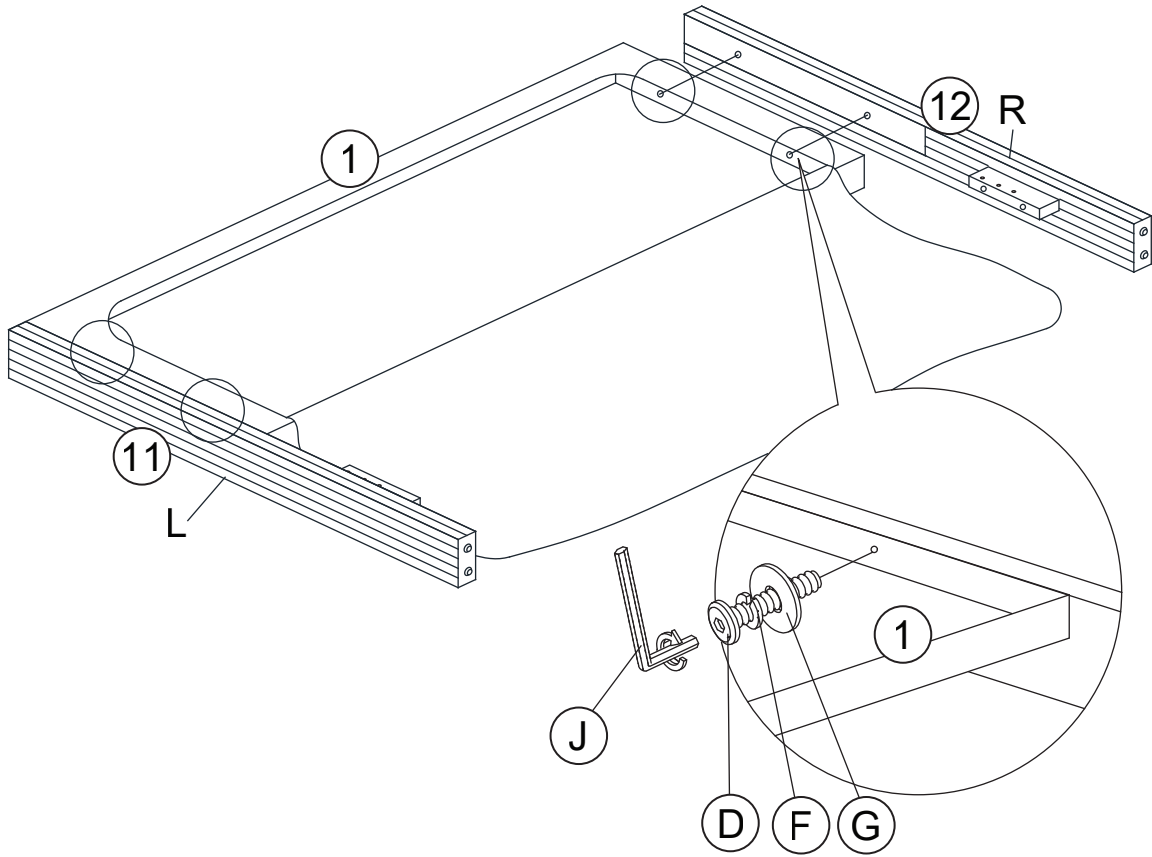


## STEP 2

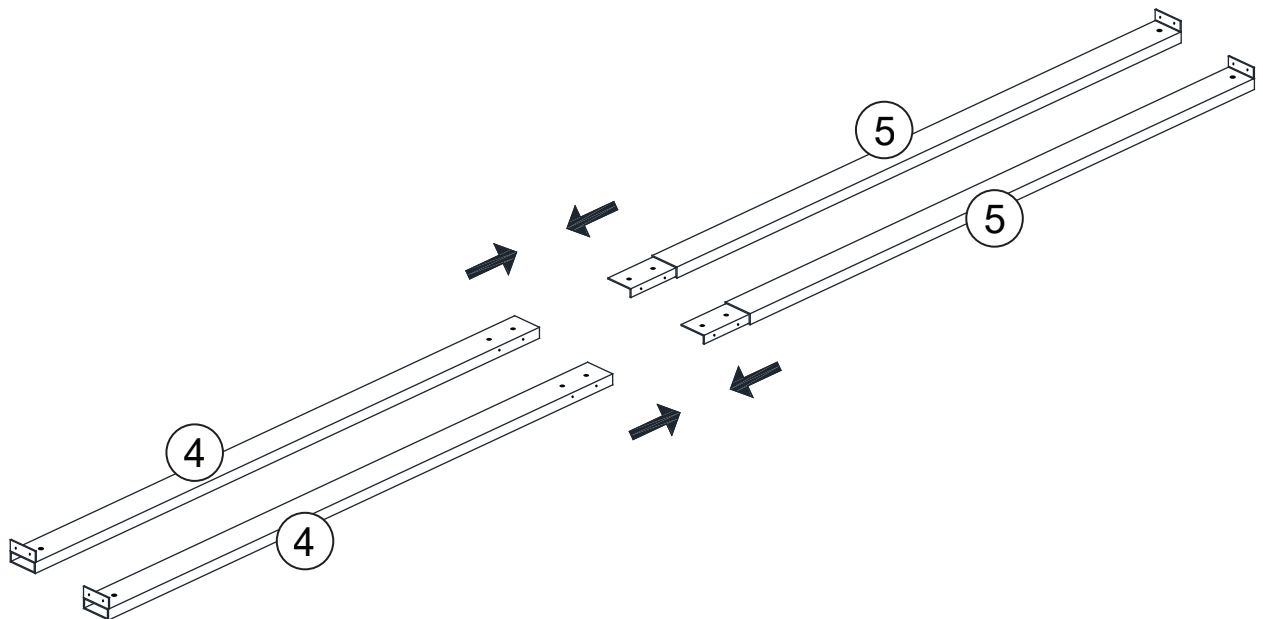


# FULL/QUEEN BED ASSEMBLY INSTRUCTION

## STEP 3

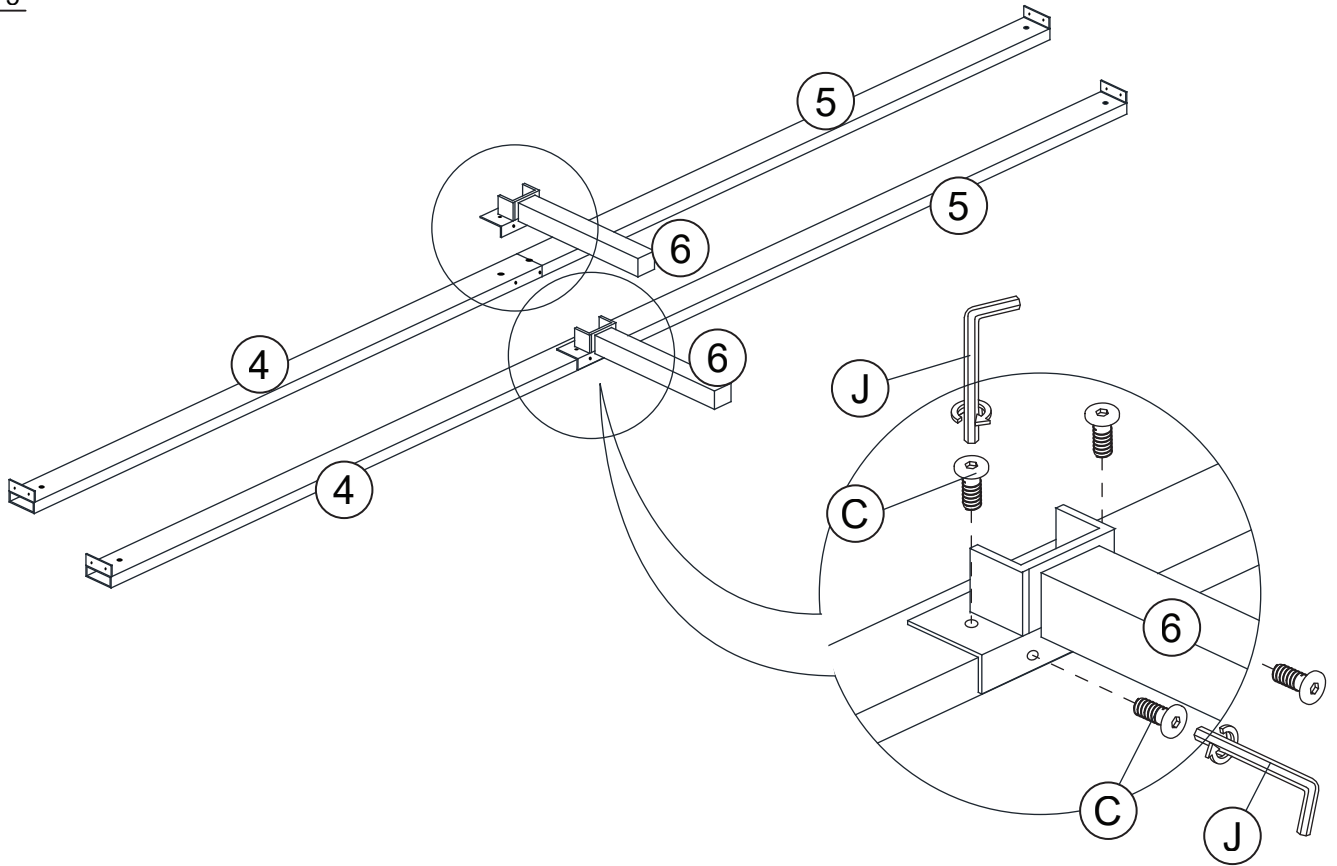


## STEP 4

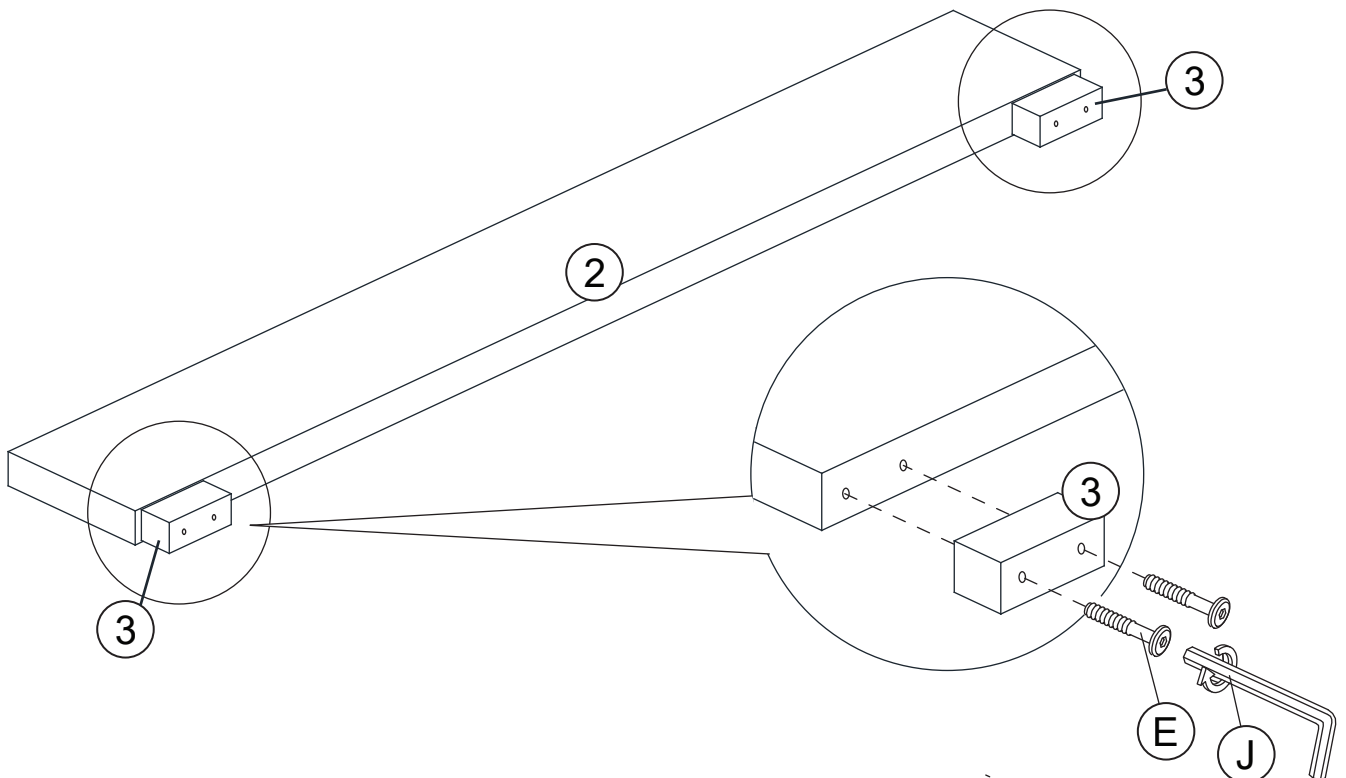


# FULL/QUEEN BED ASSEMBLY INSTRUCTION

## STEP 5

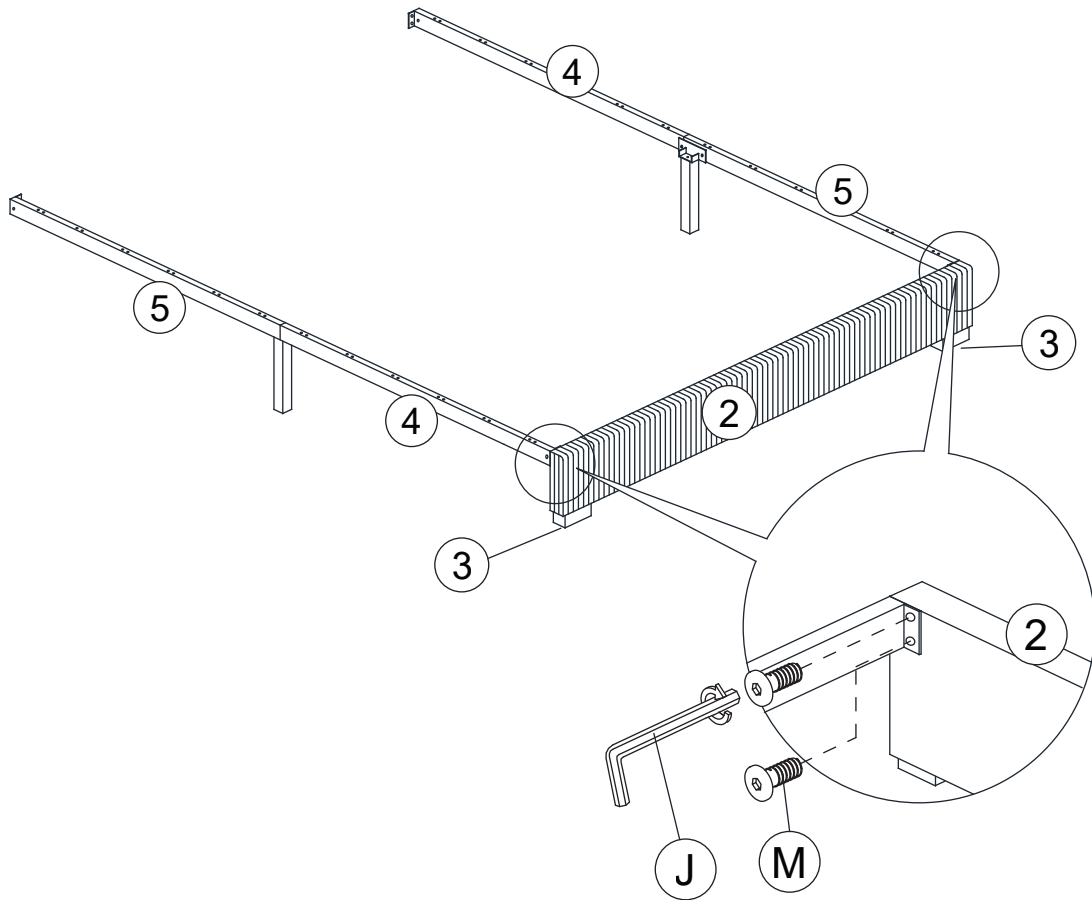


## STEP 6

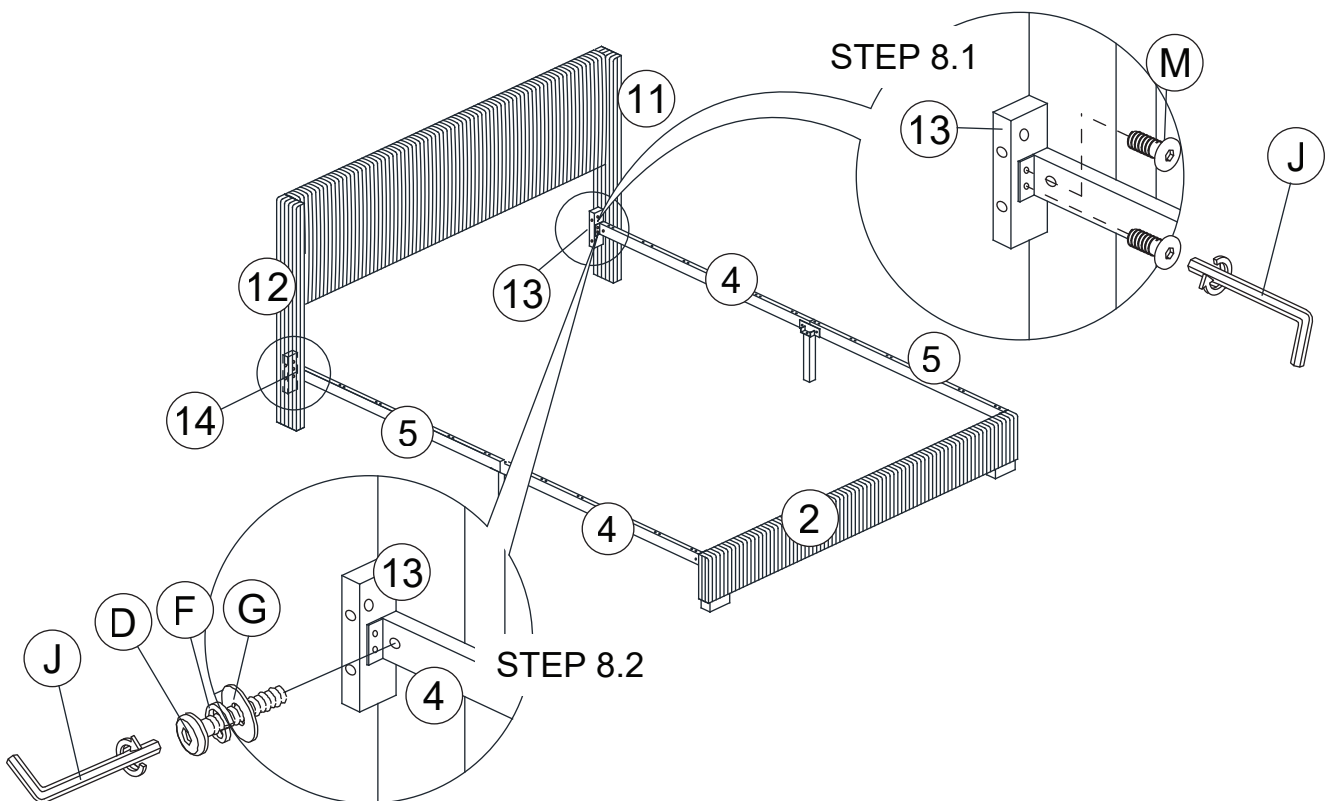


# FULL/QUEEN BED ASSEMBLY INSTRUCTION

## STEP 7

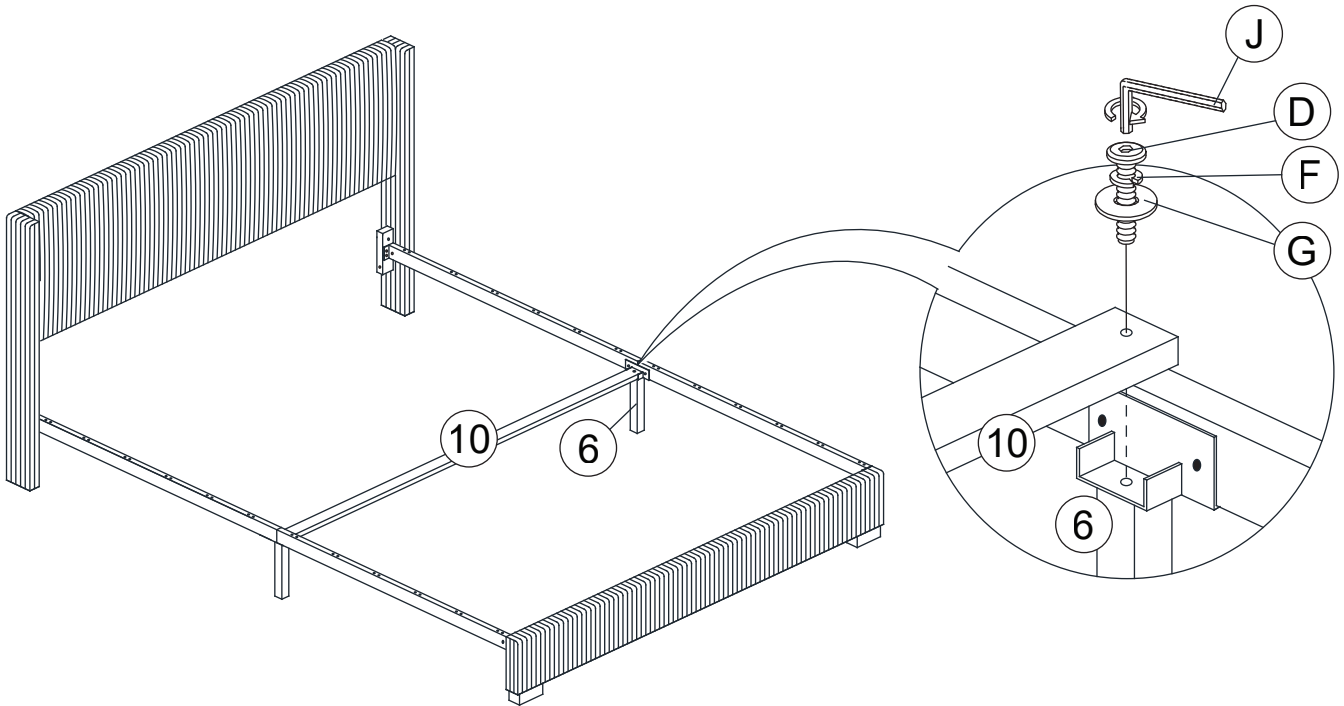


## STEP 8

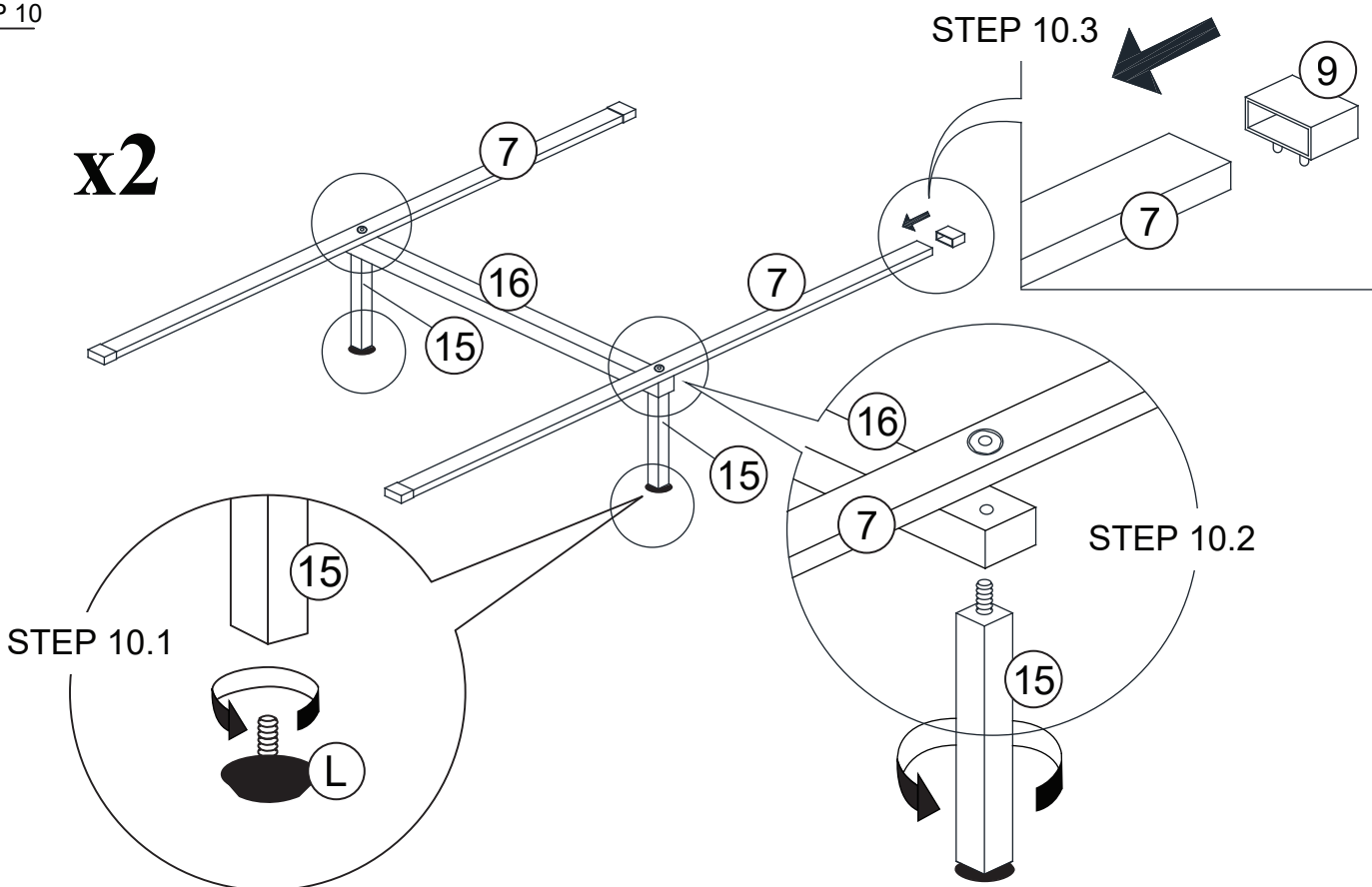


# FULL/QUEEN BED ASSEMBLY INSTRUCTION

## STEP 9

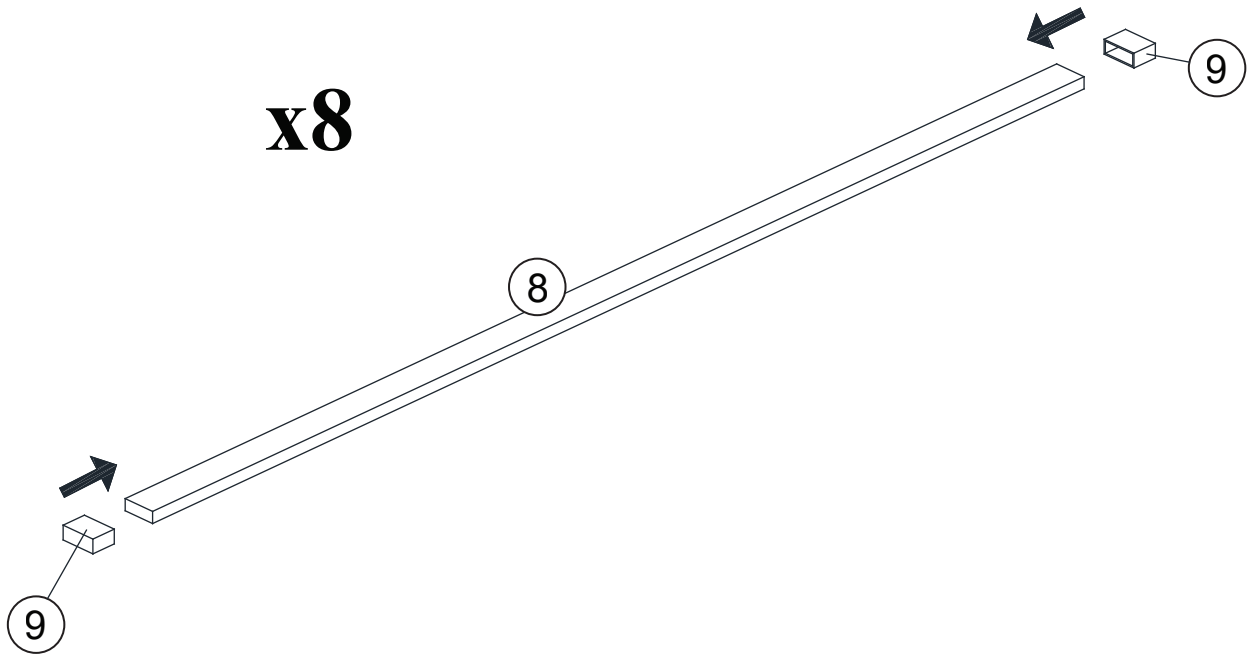


## STEP 10

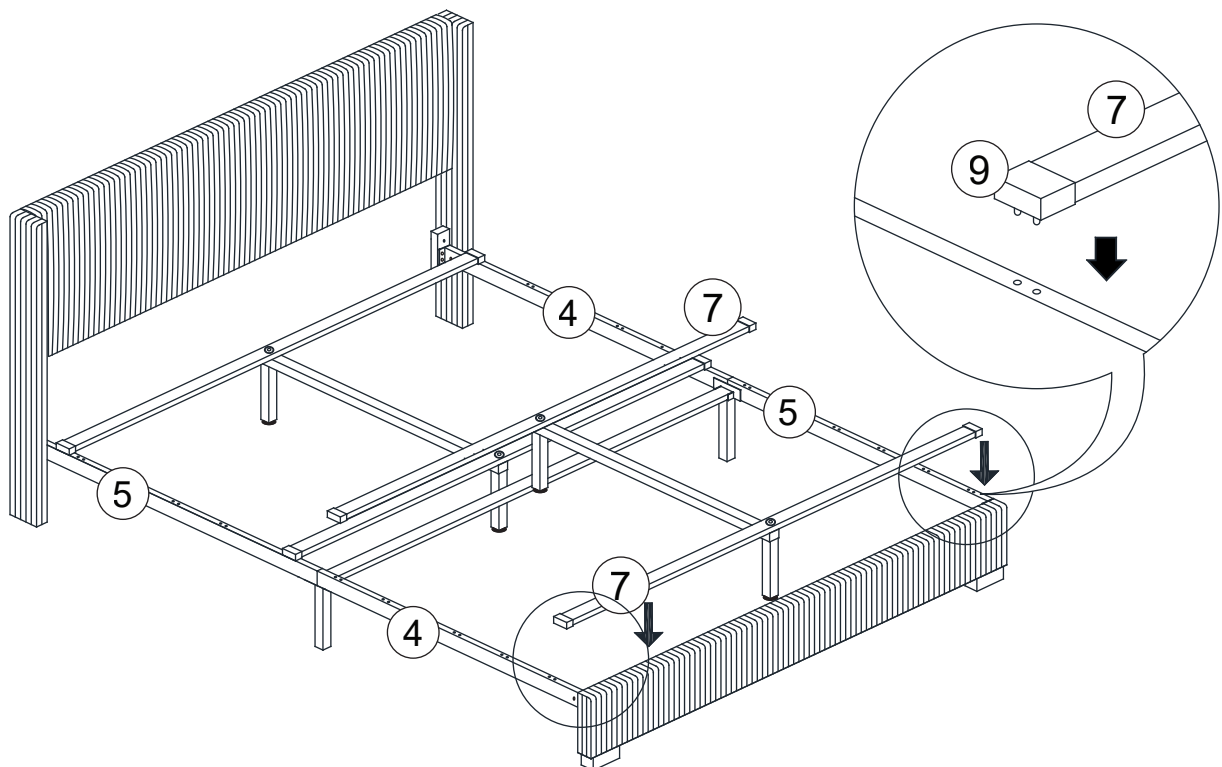


# FULL/QUEEN BED ASSEMBLY INSTRUCTION

## STEP 11

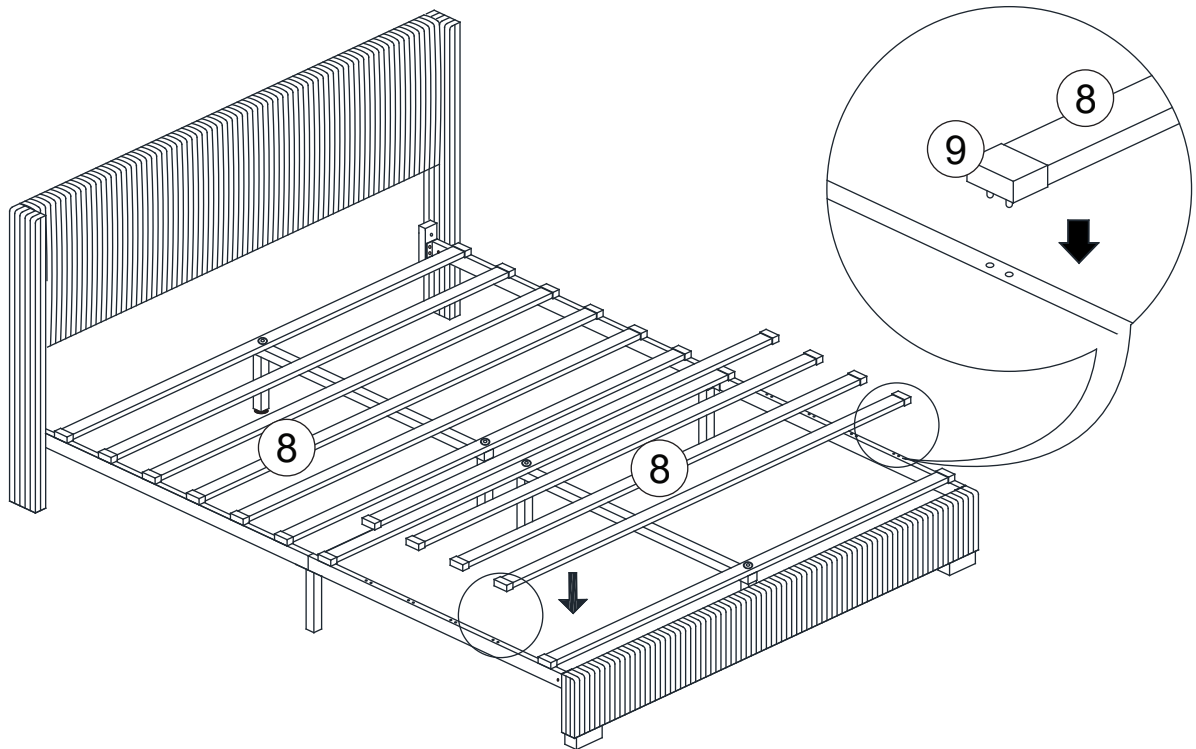


## STEP 12

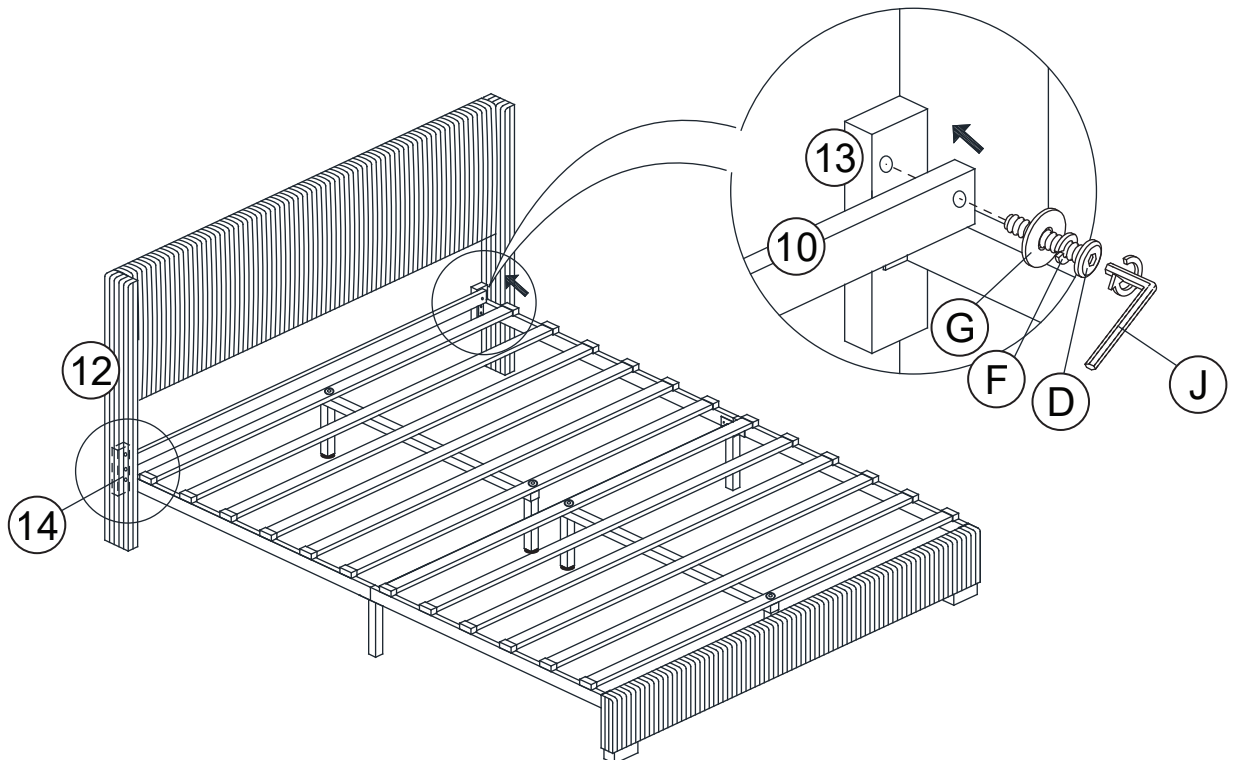


# FULL/QUEEN BED ASSEMBLY INSTRUCTION

## STEP 13

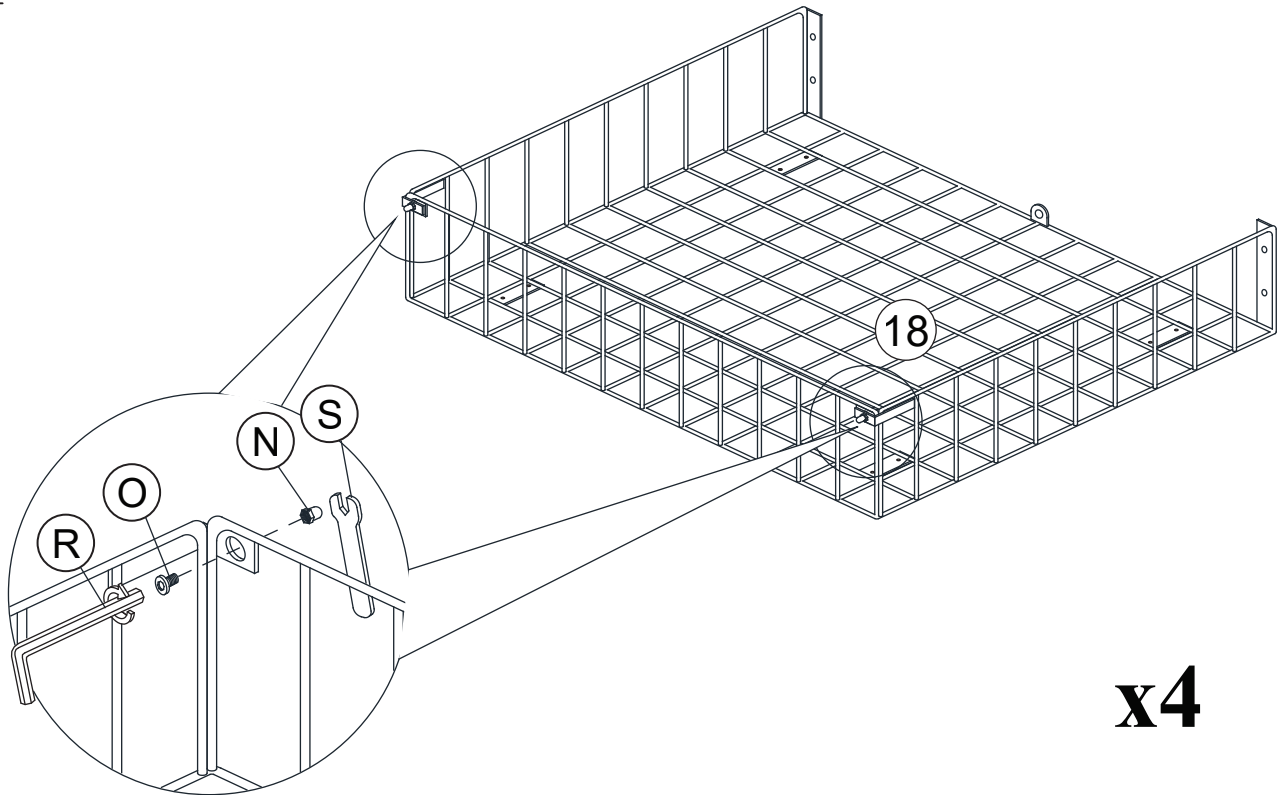


## STEP 14

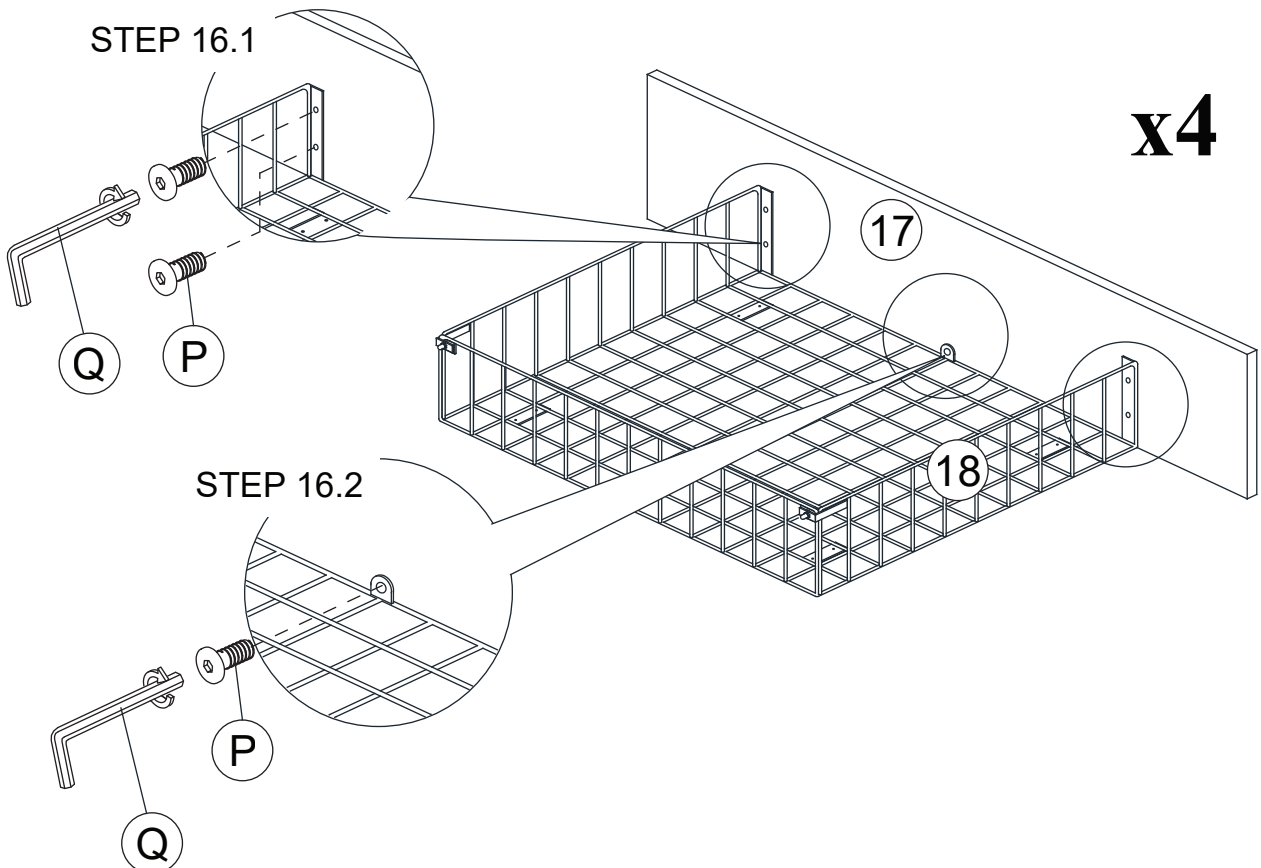


# FULL/QUEEN BED ASSEMBLY INSTRUCTION

## STEP 15

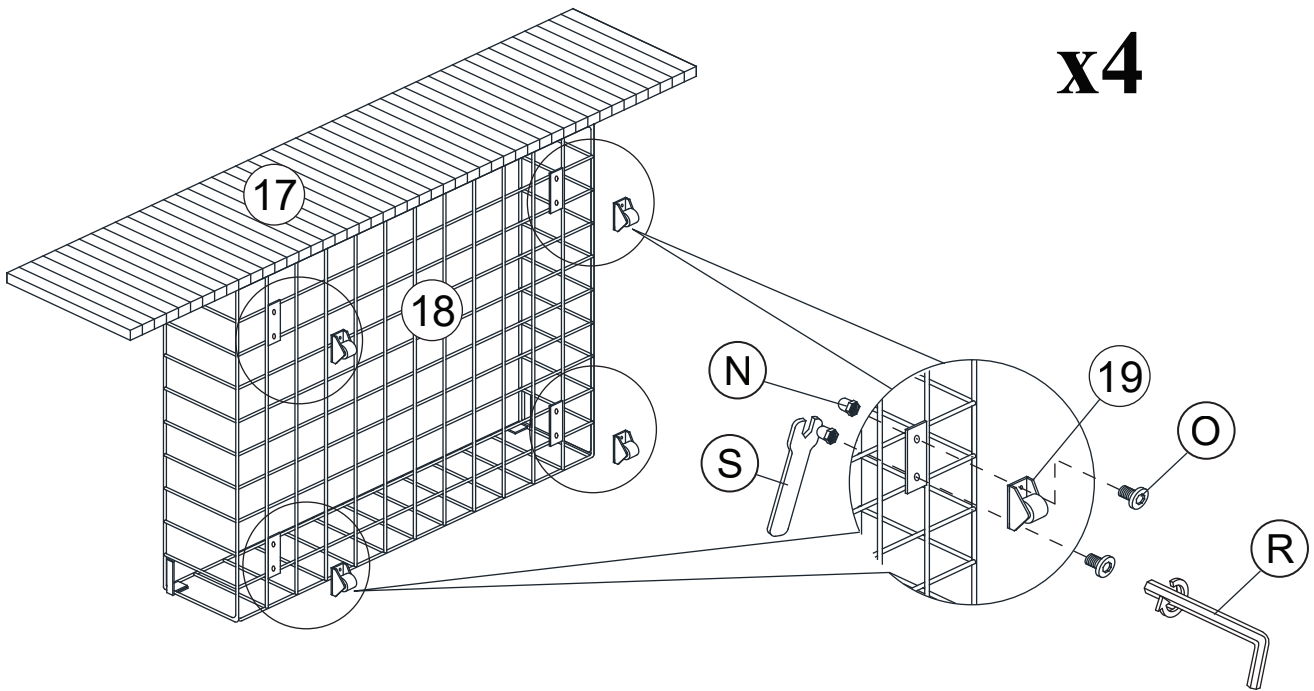


## STEP 16

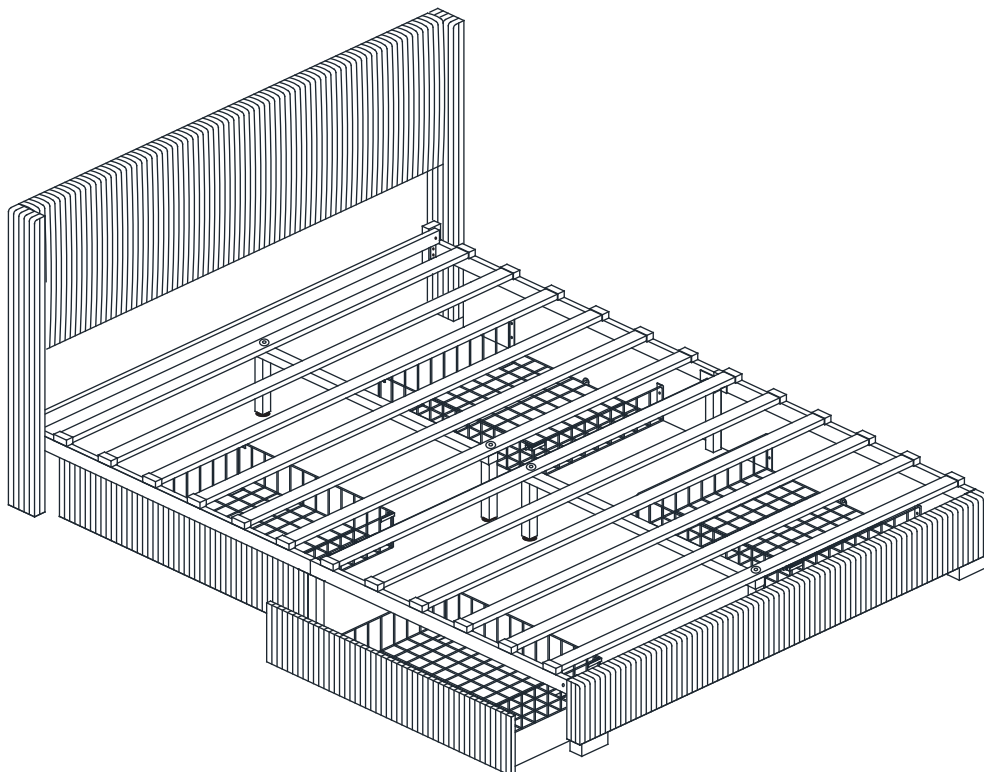


# FULL/QUEEN BED ASSEMBLY INSTRUCTION

## STEP 17



## STEP 18



**ASSEMBLY COMPLETED**