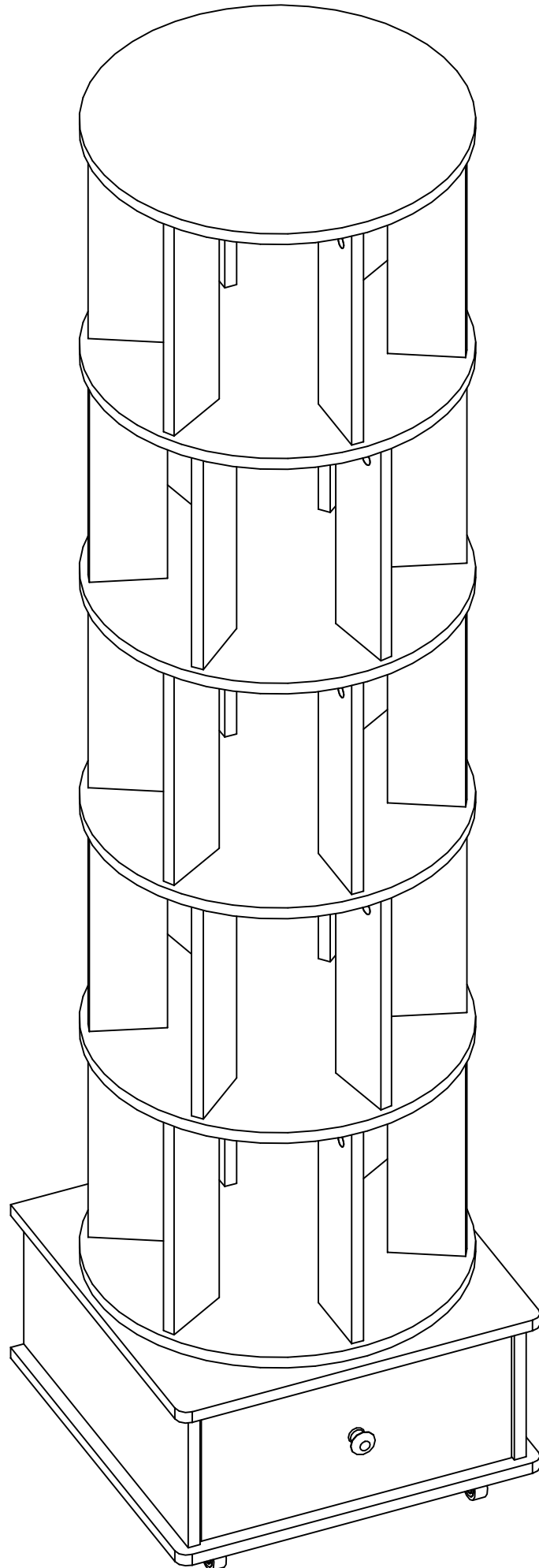
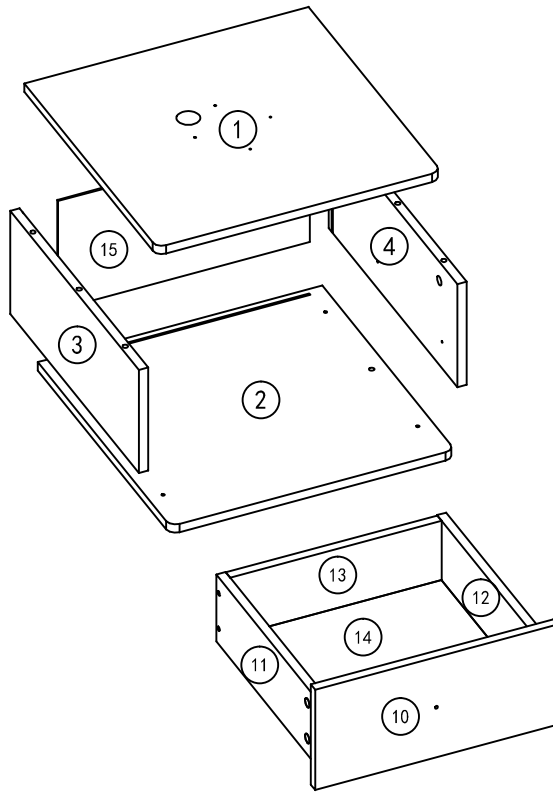
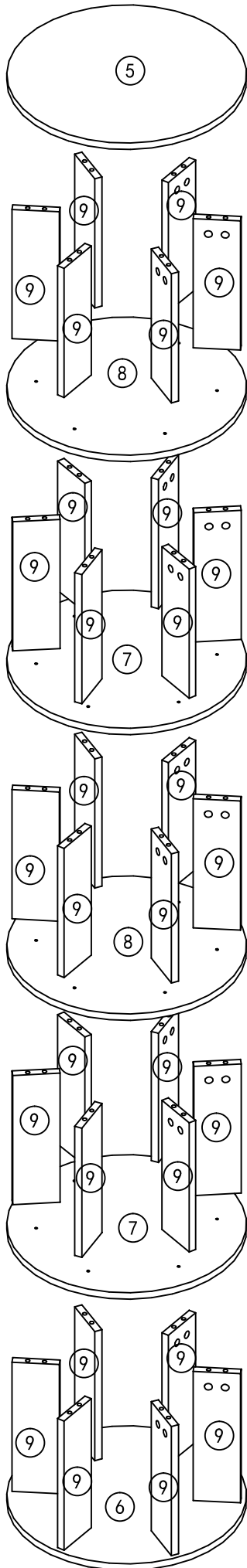
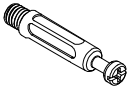

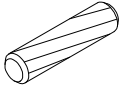
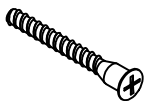
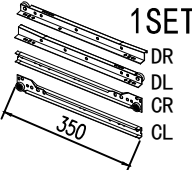



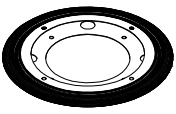
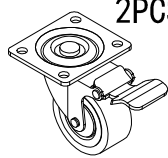
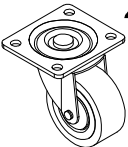
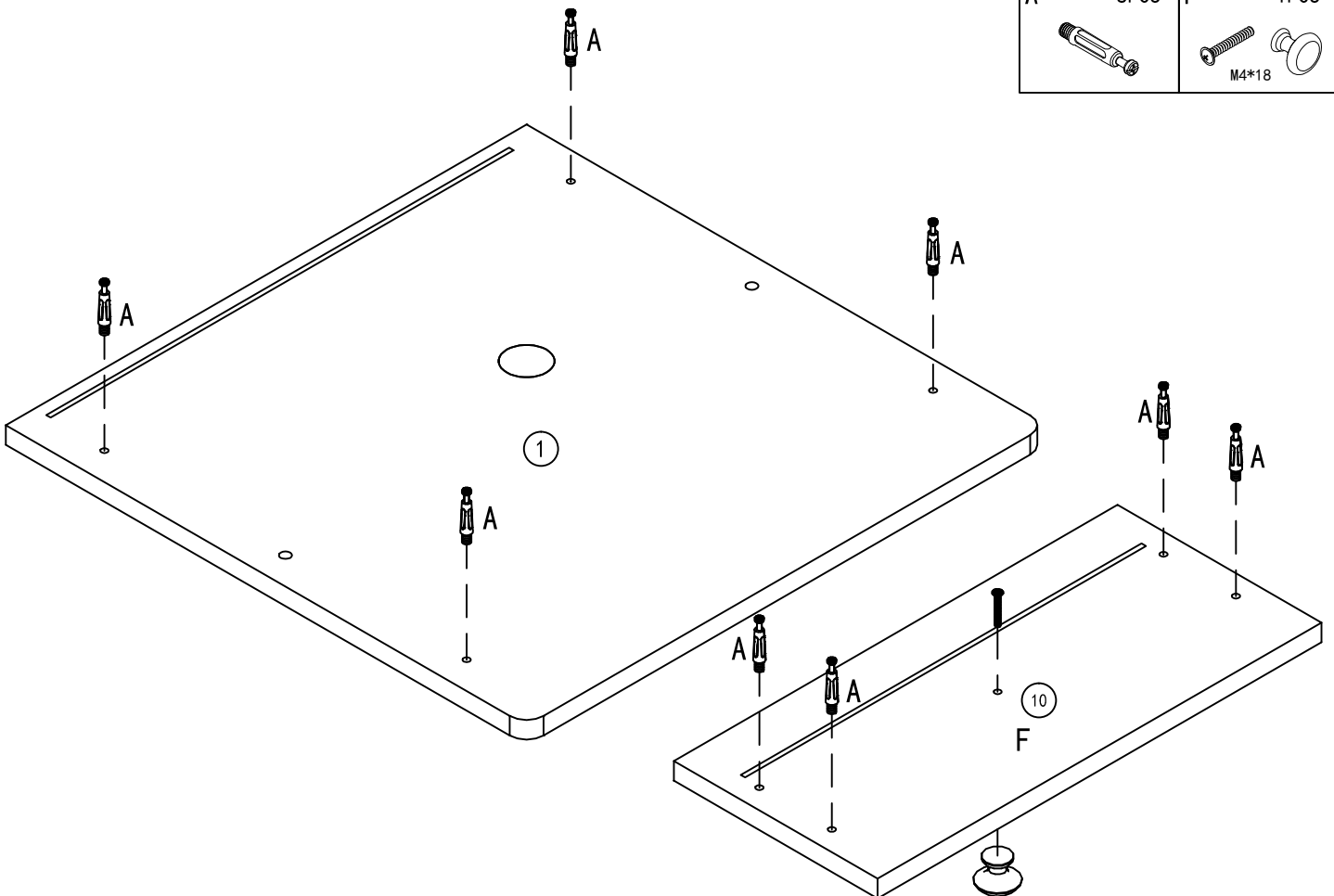
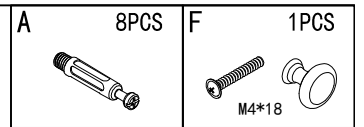
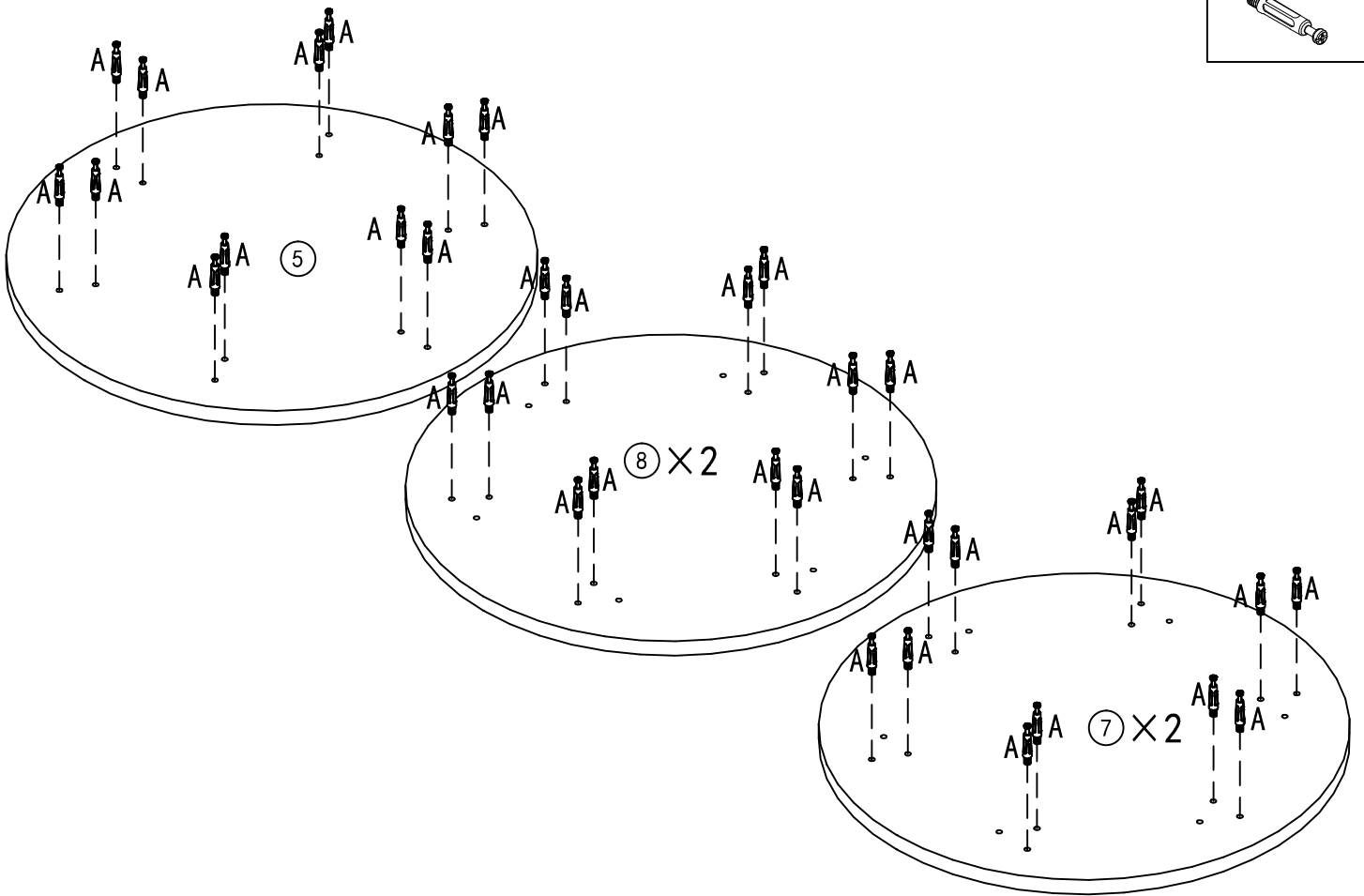
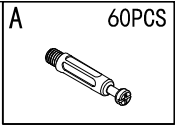


Instruction Manual

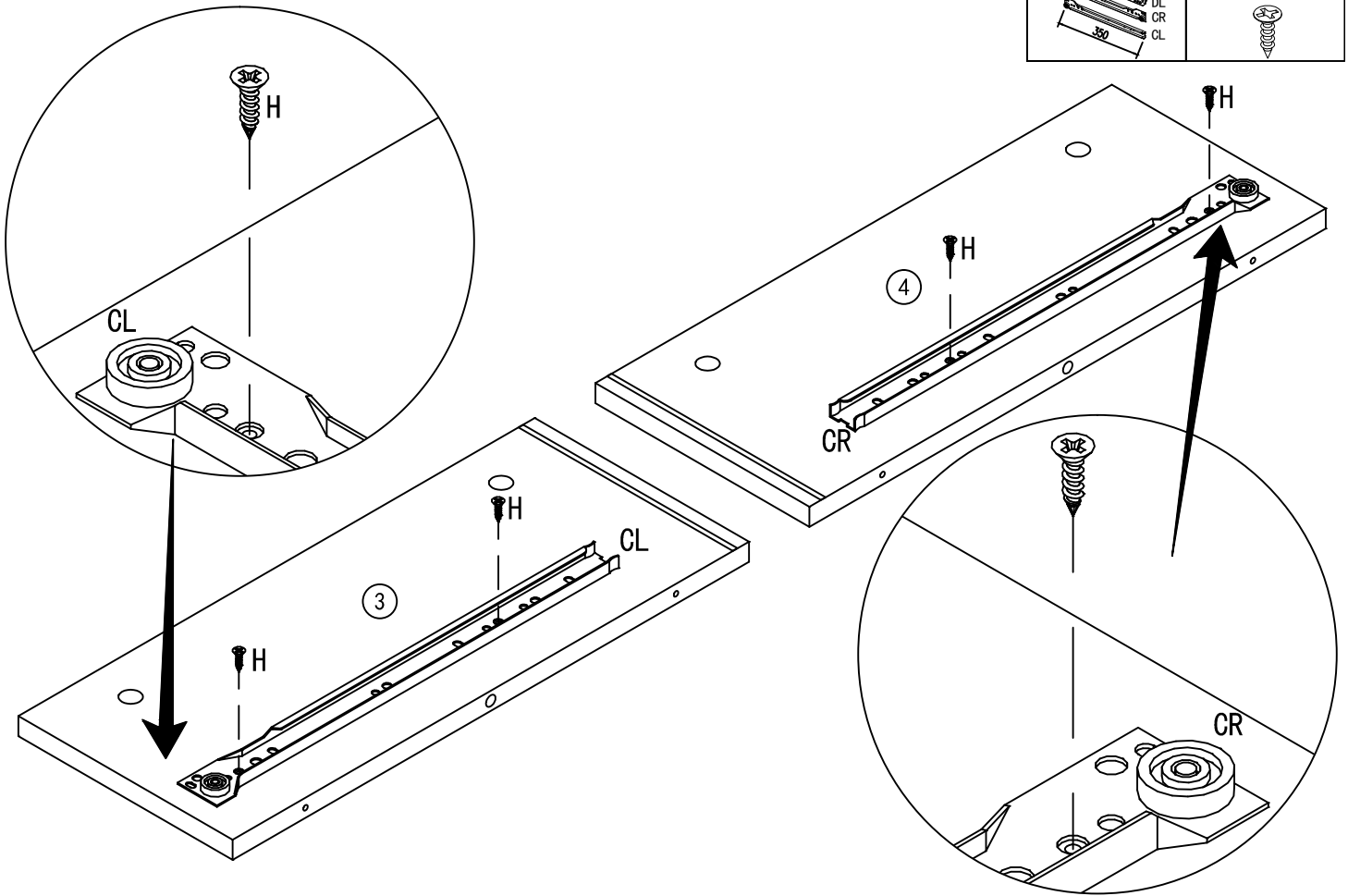




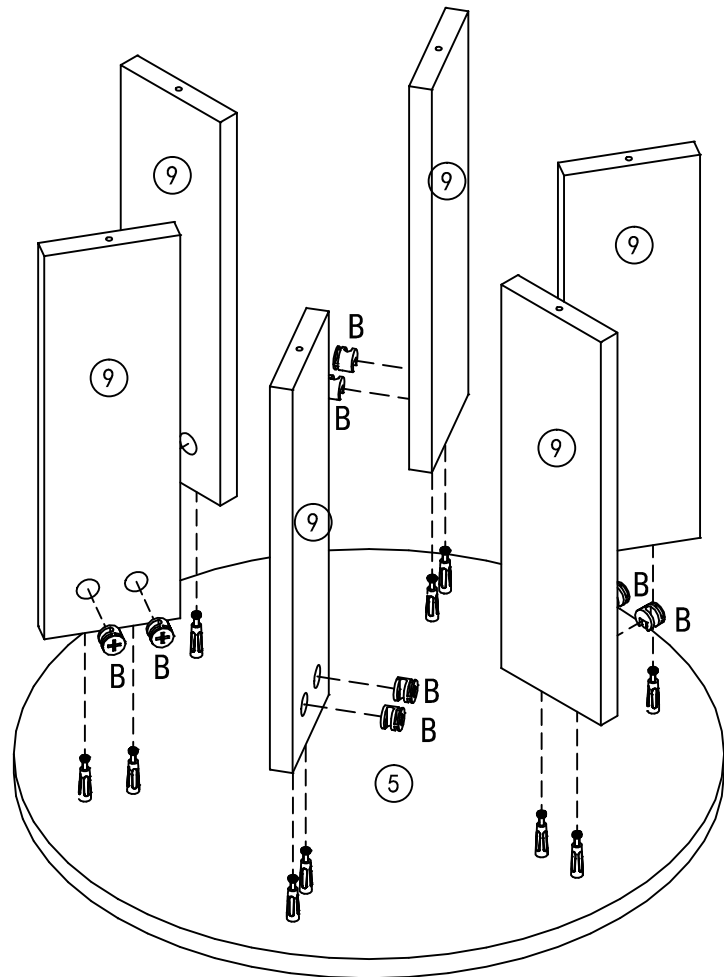
A	68PCS
	
B	68PCS Φ 15*11
	
C	4PCS Φ 8*40
	
D	34PCS M5*40
	
E	1SET DR DL CR CL 350
	
F	1PCS M4*18
	
G	4PCS M3.5*35
	
H	32PCS M3.5*14
	
J	1PCS
	
K	2PCS
	
L	2PCS
	

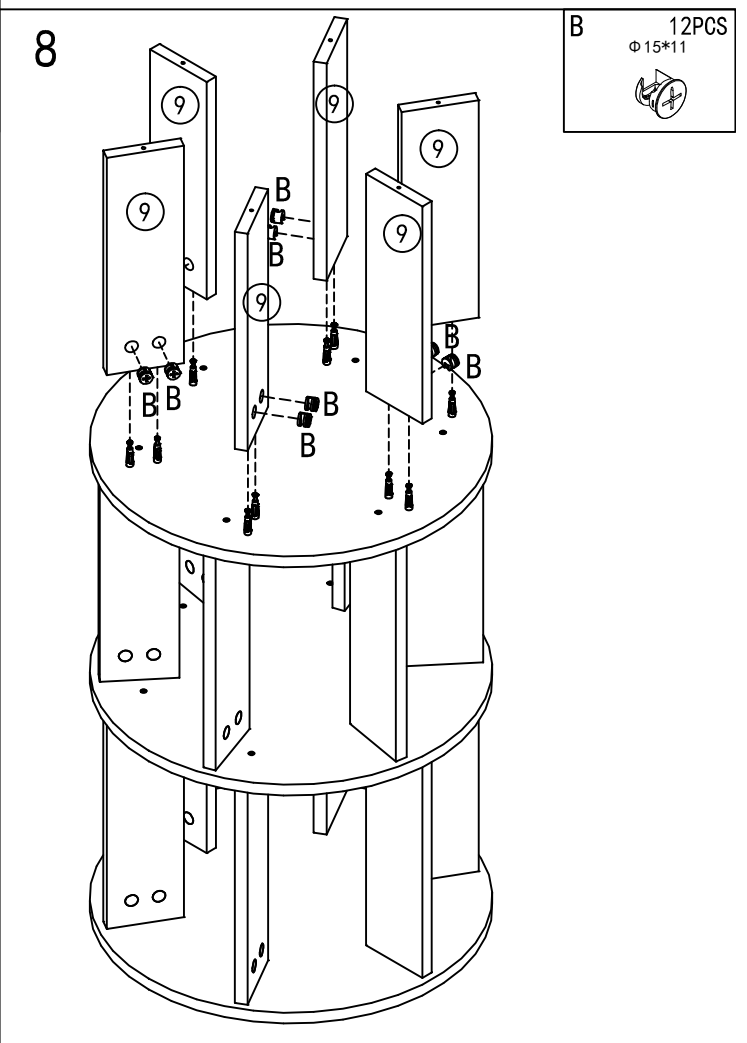
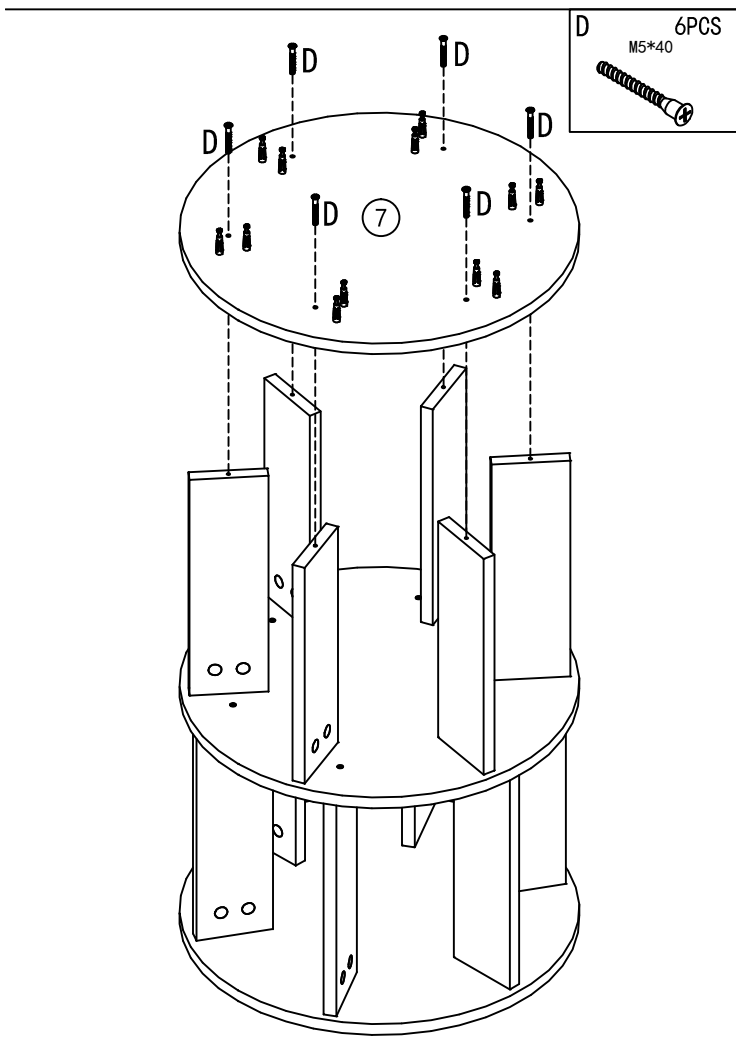
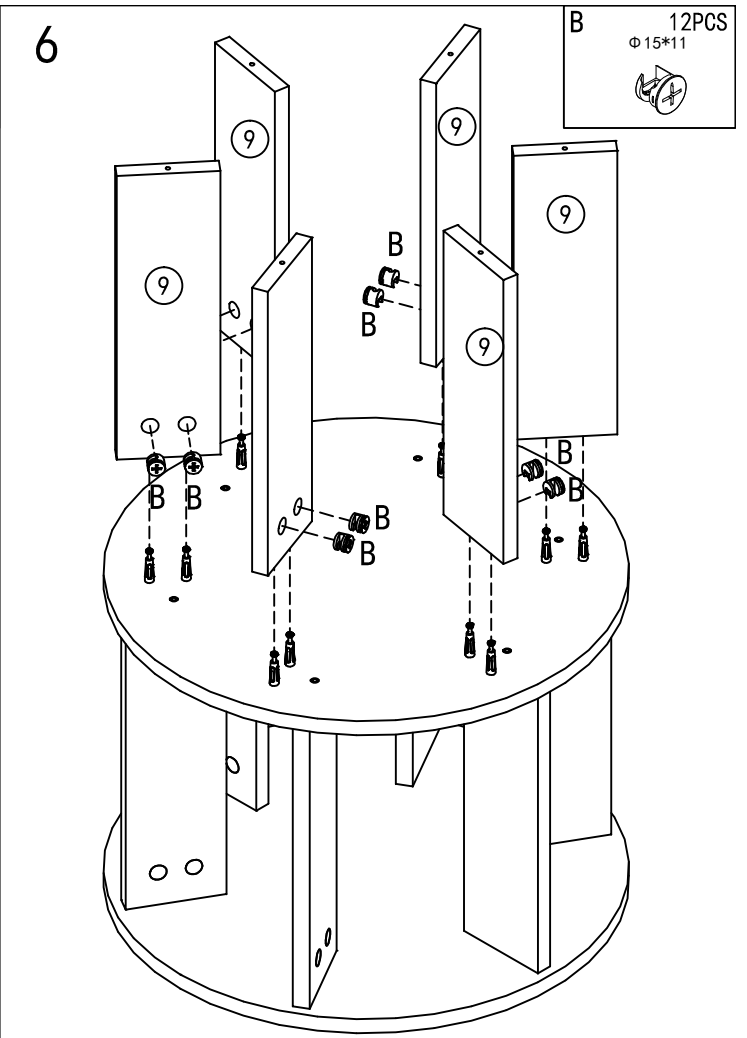
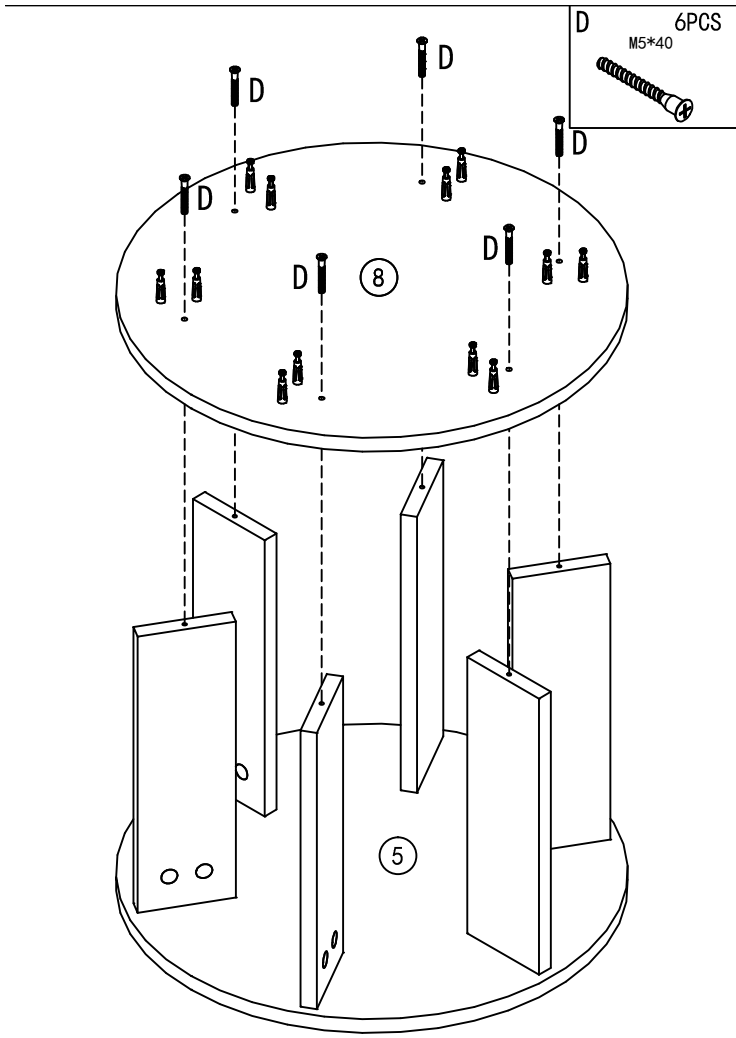


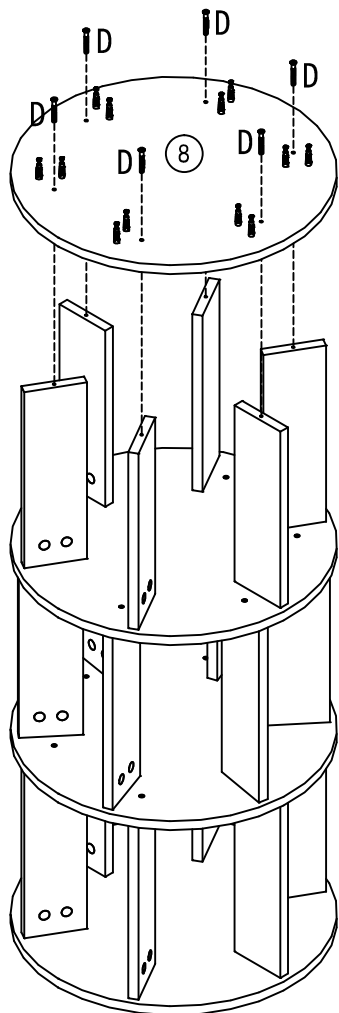
E	1SET	H	4PCS
	DR		
	DL		
	CR		
	CL		M3.5*14




B	12PCS
	Φ15*11



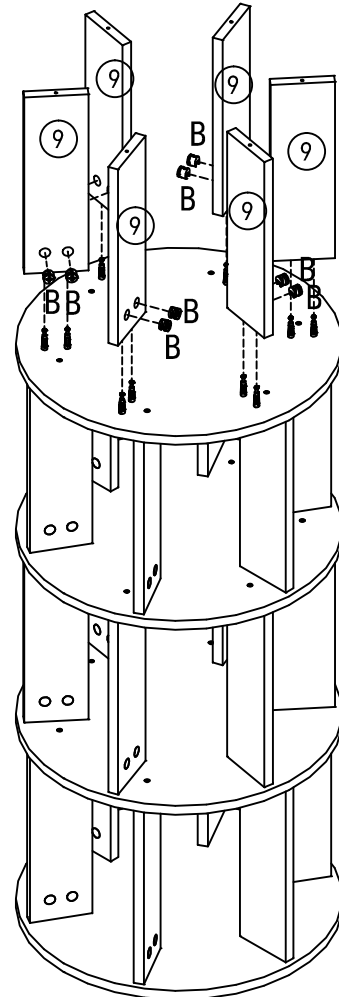





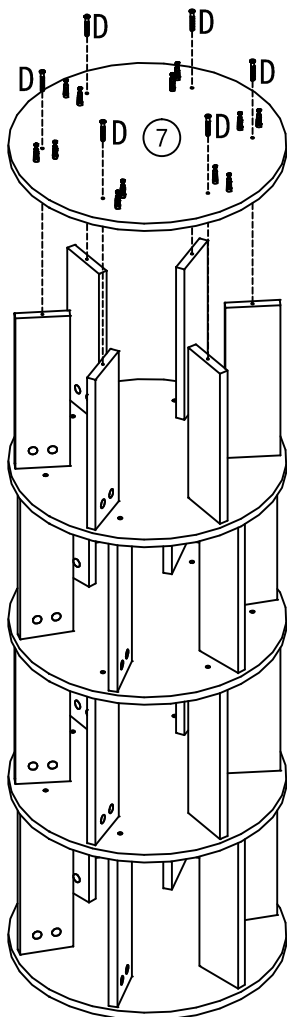
D 6PCS
M5*40




10



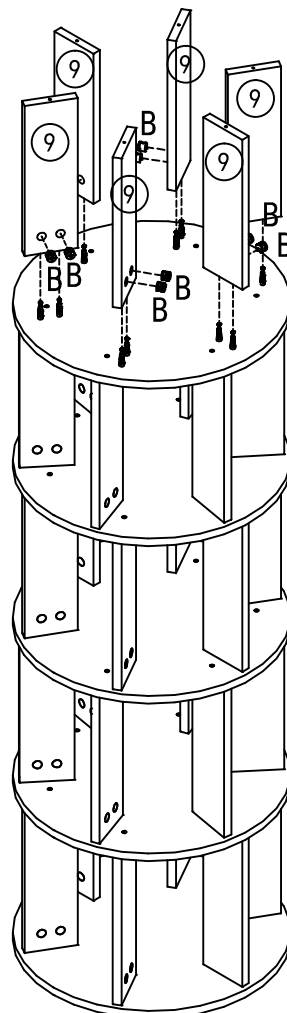
B 12PCS
Φ15*11


D 6PCS
M5*40

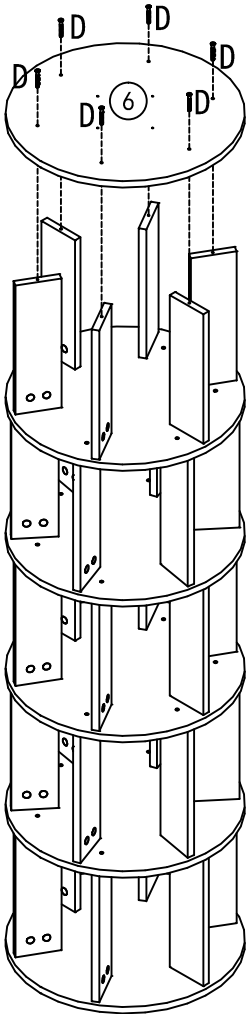


12




B 12PCS
Φ15*11






D 6PCS
M5*40


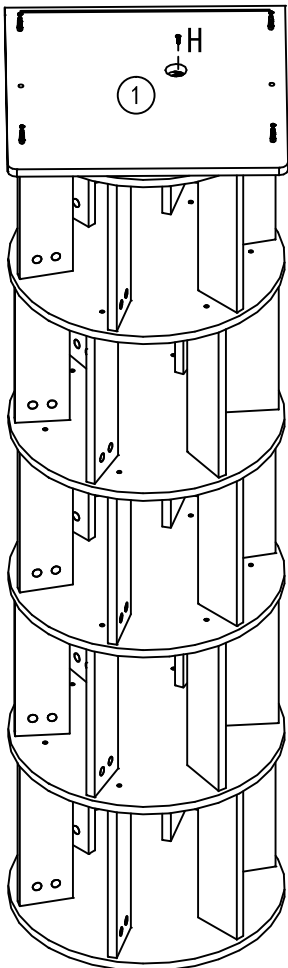
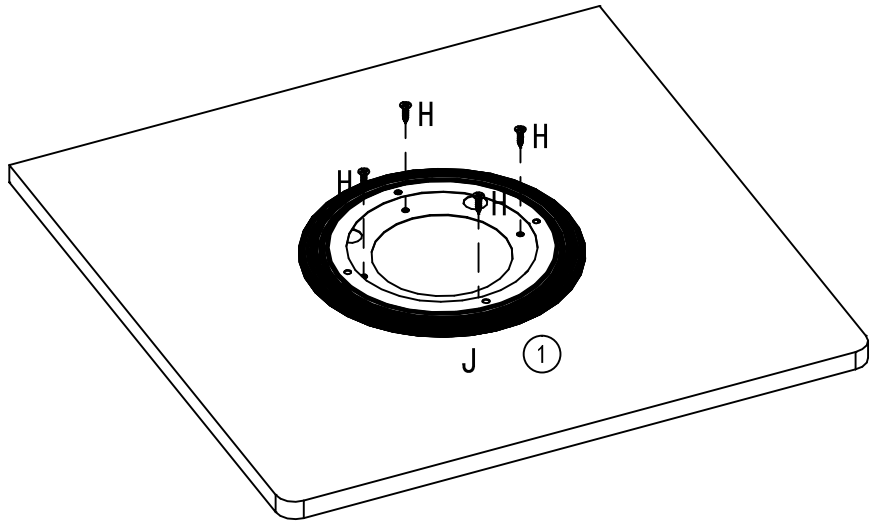


14


H 4PCS
M3.5*14



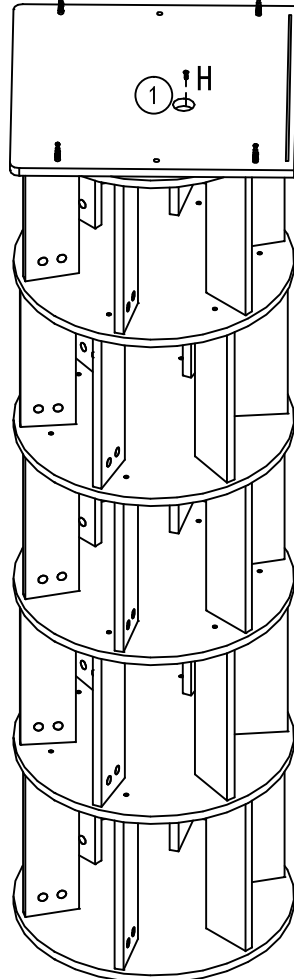
J 1PCS


H 1PCS
M3.5*14



16



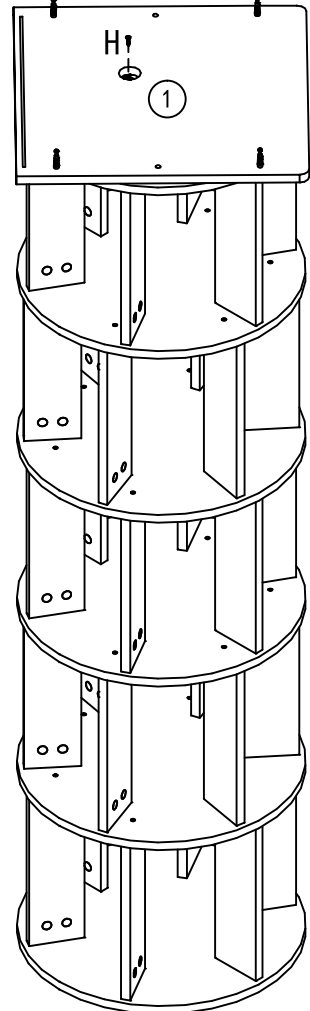
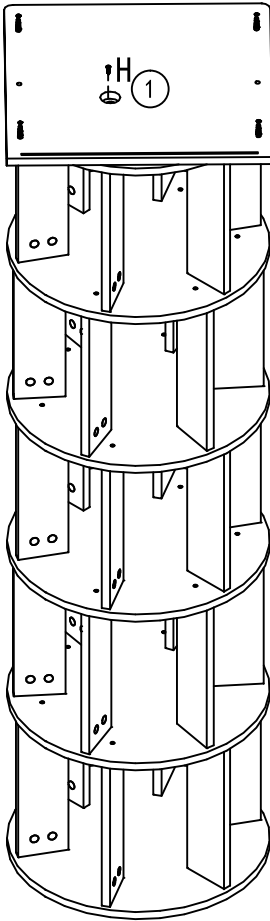
H 1PCS
M3.5*14



H 1PCS
M3.5*14

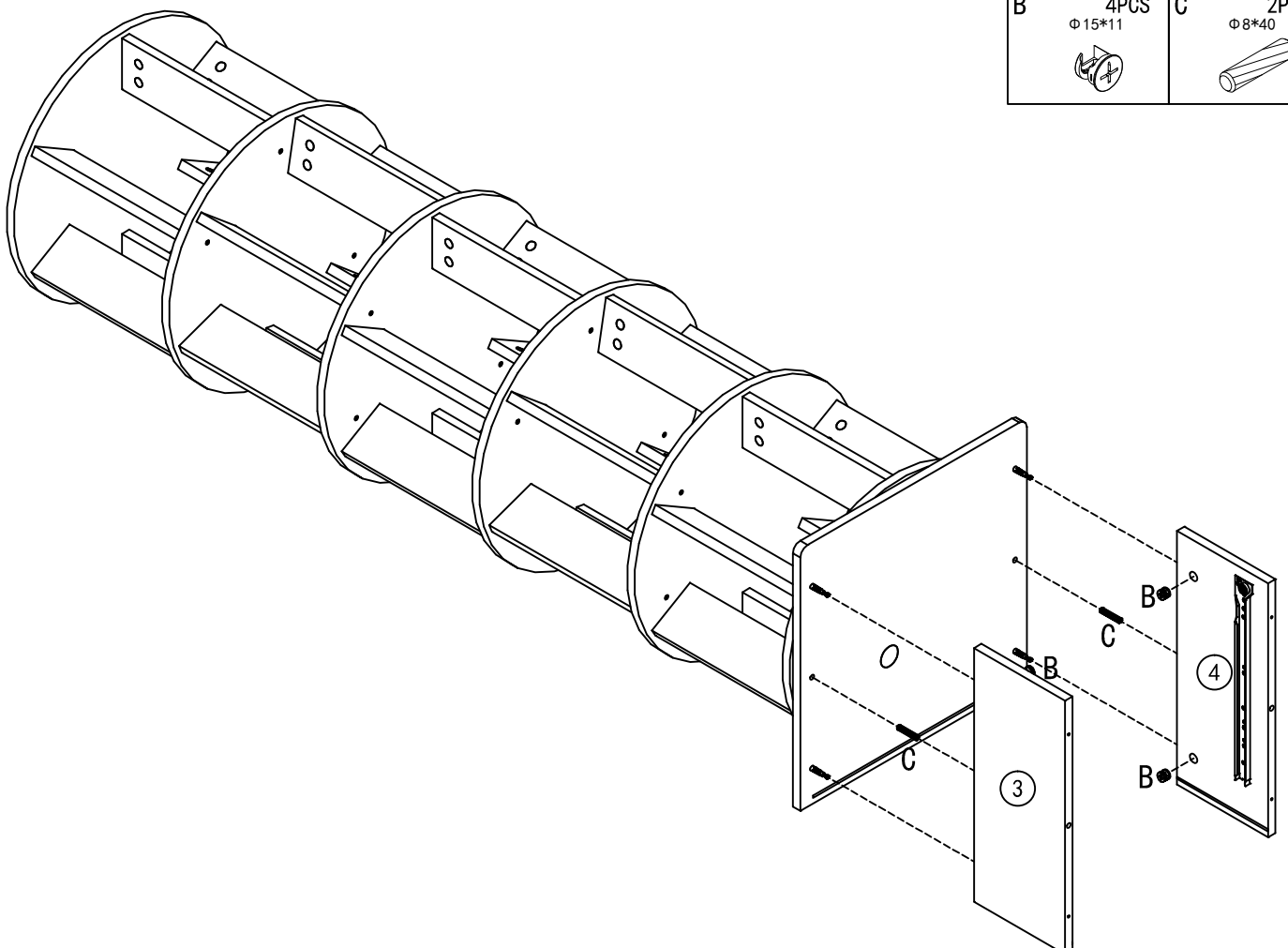
18

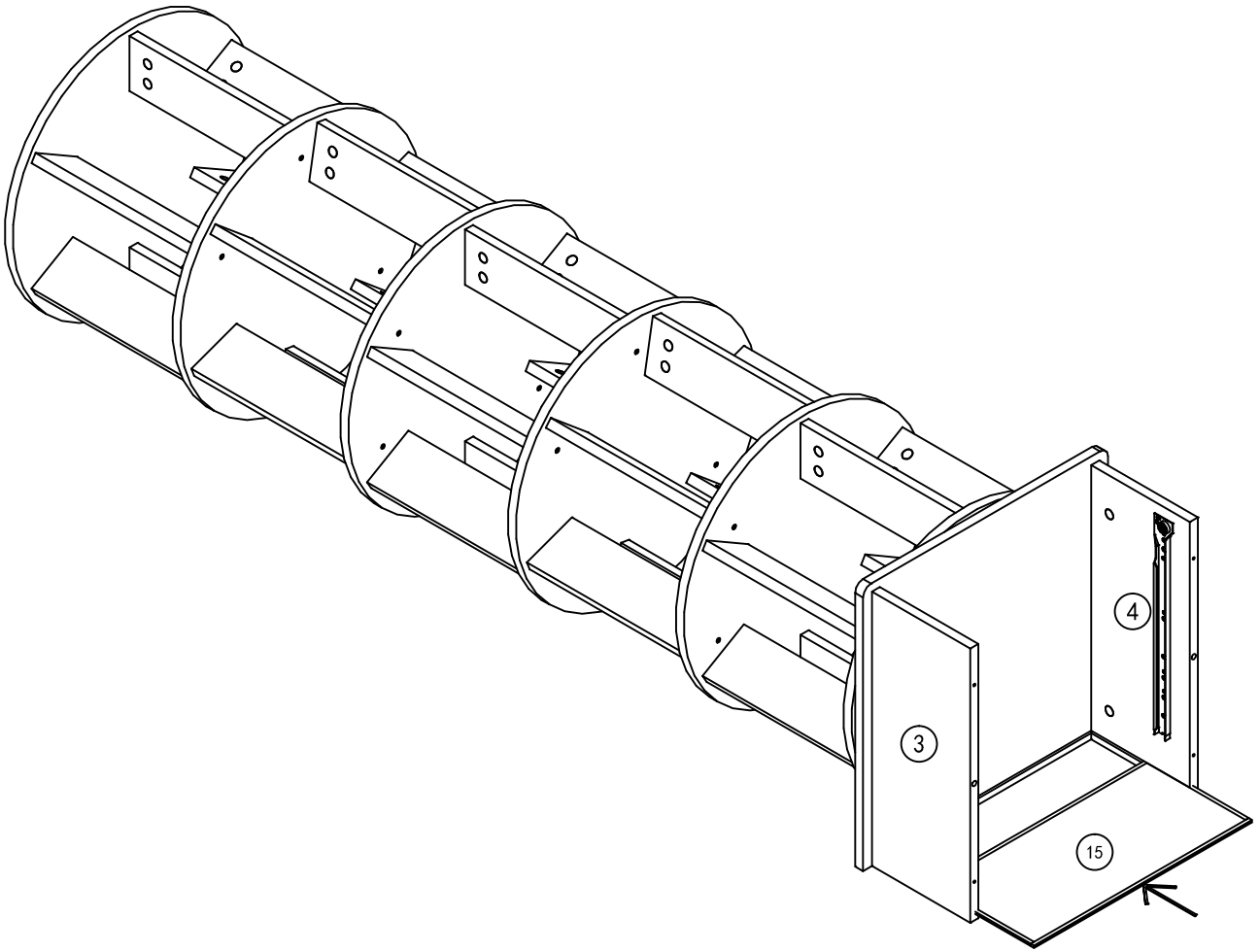
H 1PCS
M3.5*14

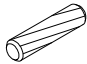



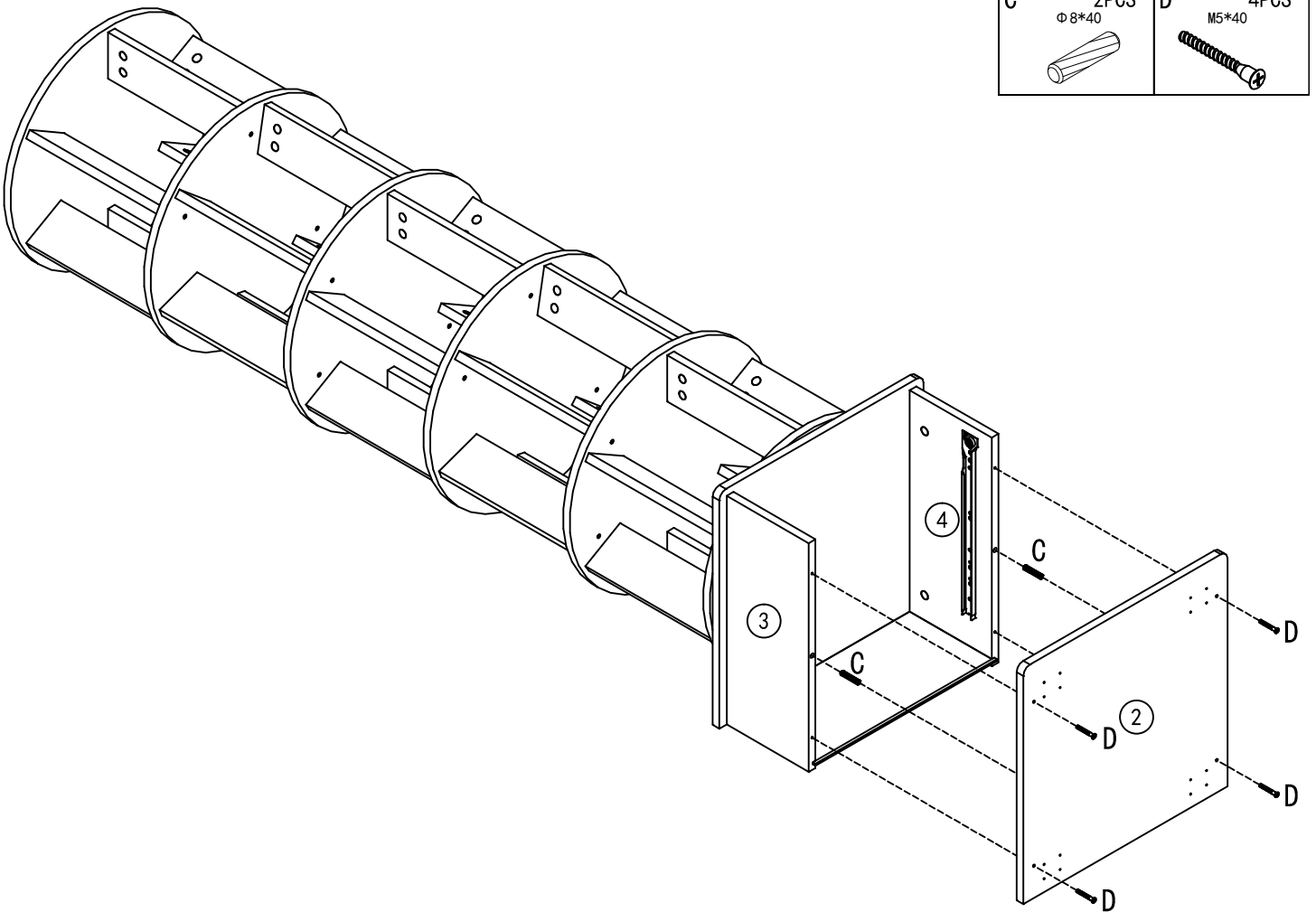
B 4PCS
 $\Phi 15*11$


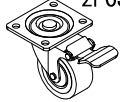

C 2PCS
 $\Phi 8*40$

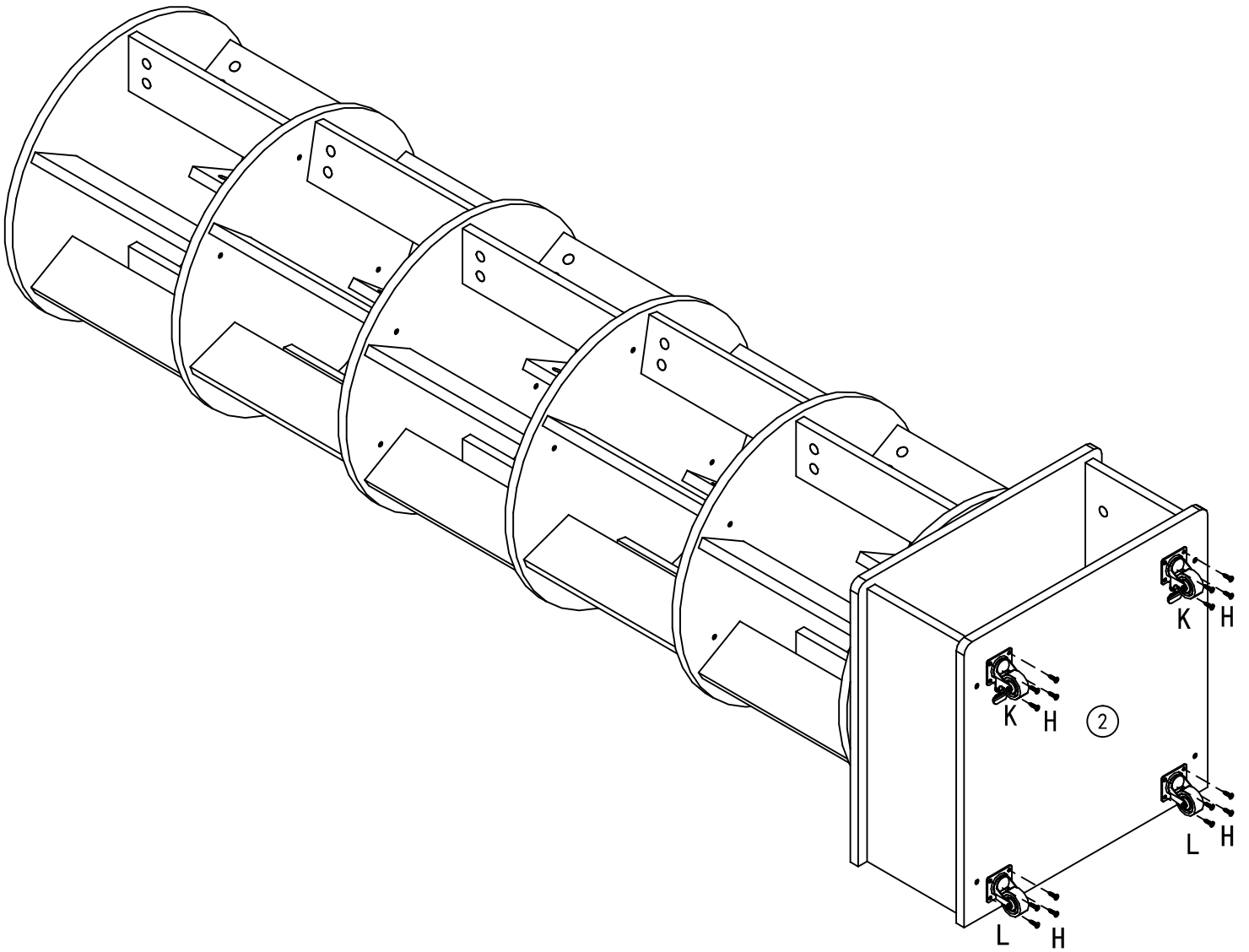



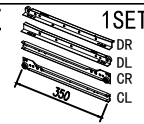




C	2PCS	D	4PCS
	$\phi 8*40$		M5*40
			



H 16PCS M3. 5*14 	K 2PCS 	L 2PCS 
--	---	---



B 4PCS $\phi 15 \times 11$ 	E 1SET DR DL CR CL 	G 4PCS M3.5*35 	H 4PCS M3.5*14 
--	--	--	--

