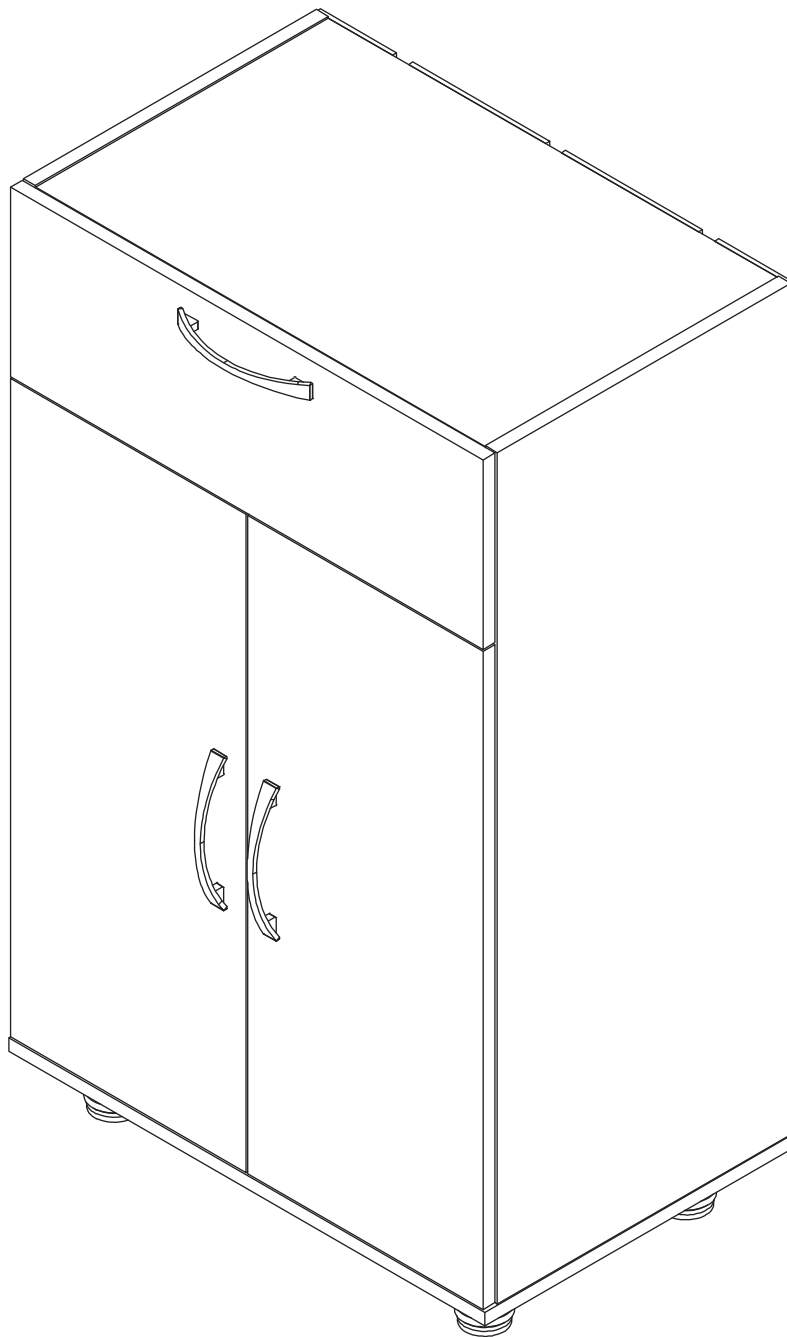


# ASSEMBLY INSTRUCTION

---



# INSTALLATION PREPARATION

Dear Customer,

Thank you for choosing us. Before you begin assembly, check that you have all the parts and hardware shown on this page.

If there is any item missing, please mark the item, indicating quantity required and send picture to us. We will arrange replacement at first time.

**If feel question in assemble, Please feel free to ask us. Customer satisfaction is our prime.**

Your order means a lot to us!

Thank you!

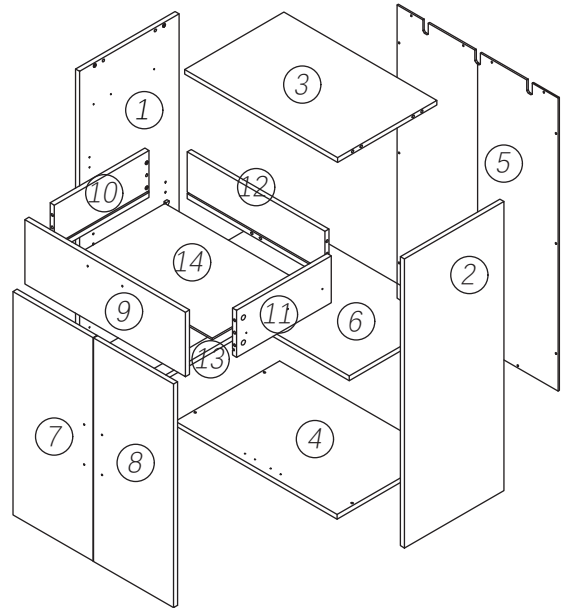
## TOOLS NEEDED

Crosshead screwdriver

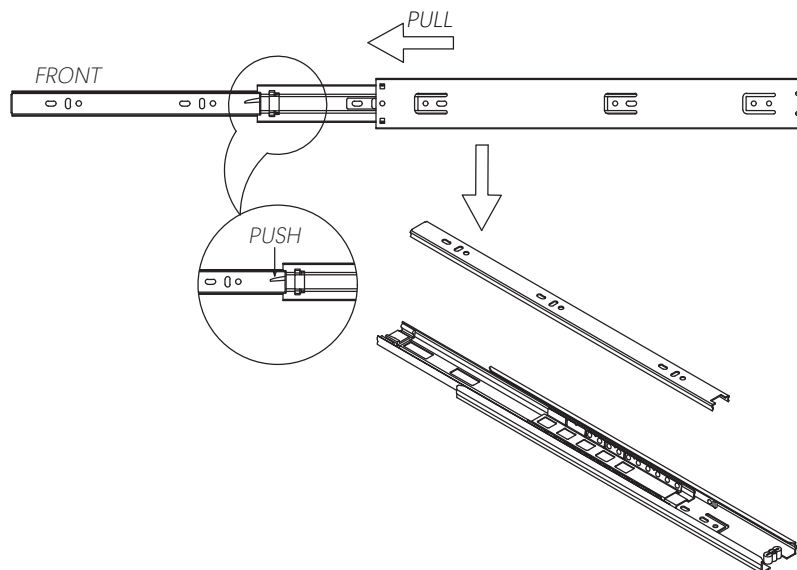
Flat-head screwdriver



## PARTS LIST



## HELPFUL HINTS



Before you start the installation, please disassemble the Track into two parts according to the steps shown in the figure, and put them aside for later use.

## HARDWARE LIST

**A:Cam lock**  
Φ15mm



12 PCS

**B:Cam bolt**  
M6



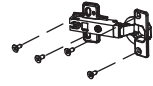
12 PCS

**C:Wooden Dowel**  
Φ8\*30mm



12 PCS

**D:Full cover hinge**



4 PCS

**E:Handle**  
3617



3 PCS

**F:Screw(ST4\*18)**



6 PCS

**G:Screw**  
M5\*40mm



4 PCS

**H:Track 14"**



1 PAIRS

**I:Screw**  
M4\*13mm



12 PCS

**J:Screw**  
M4\*16mm



4 PCS

**K:Screw**  
M4\*20mm



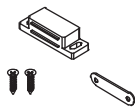
12 PCS

**L:Screw**  
M4\*13mm



17 PCS

**M:Door catch**  
CM-553



2 PCS

**N:Adjustable foot**  
60\*60mm



4 PCS

**O:Expansion screw**  
M6\*60mm



1 PCS

**P:Indices**



1 PCS

**Q:Shelf support**



4 PCS

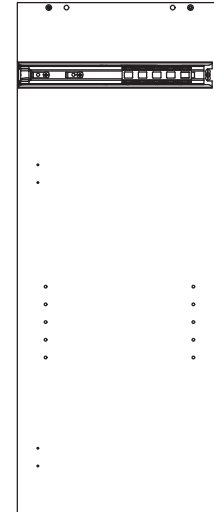
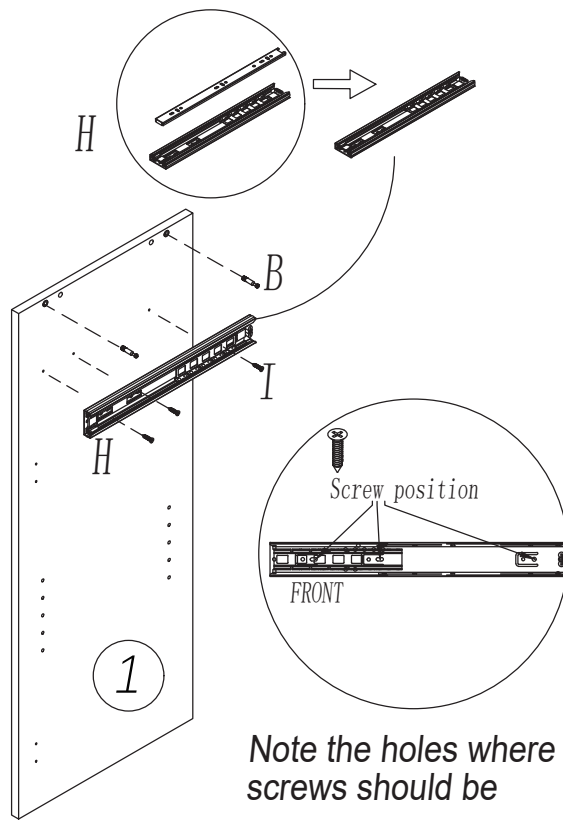
**R:Plug(low)**  
Φ15mm



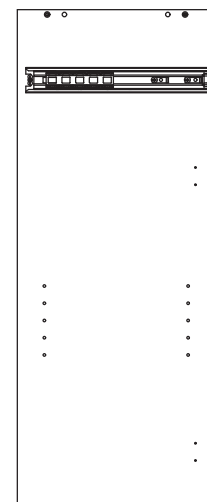
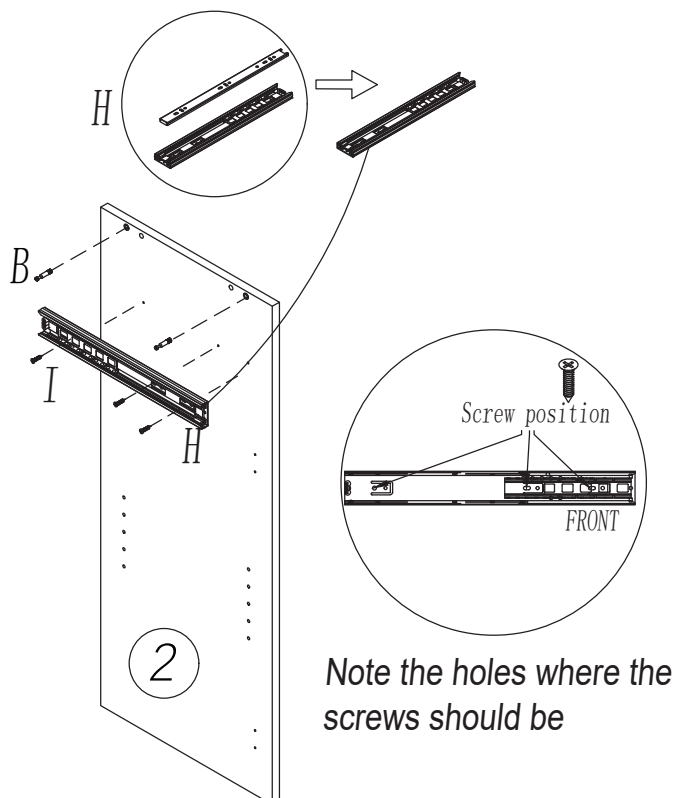
12 PCS

# INSTALLATION PREPARATION

## STEP 01

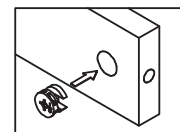
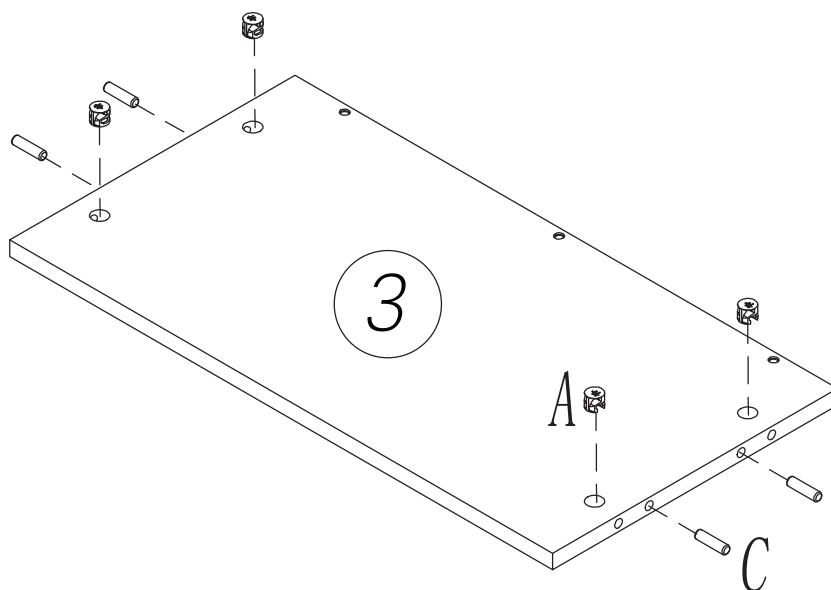


## STEP 02



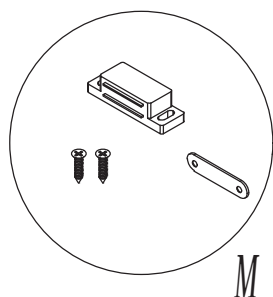
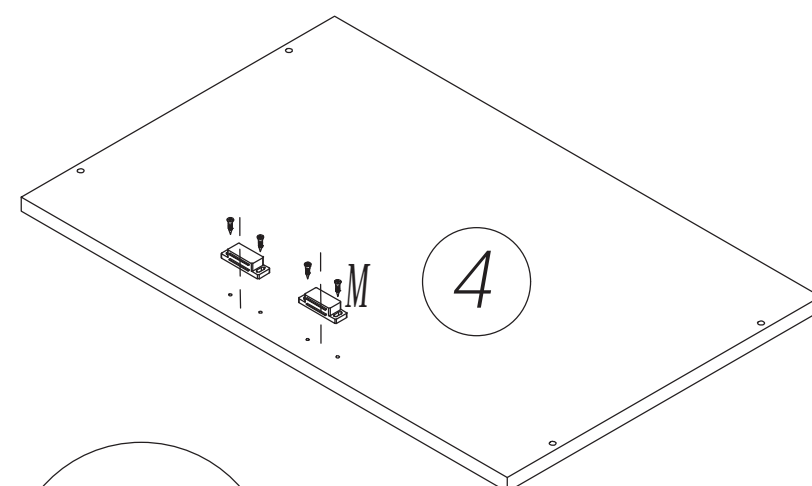
# INSTALLATION PREPARATION

## STEP 03



Direction of arrow to the side hole

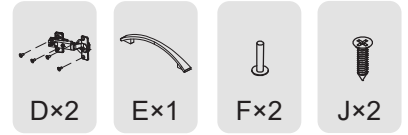
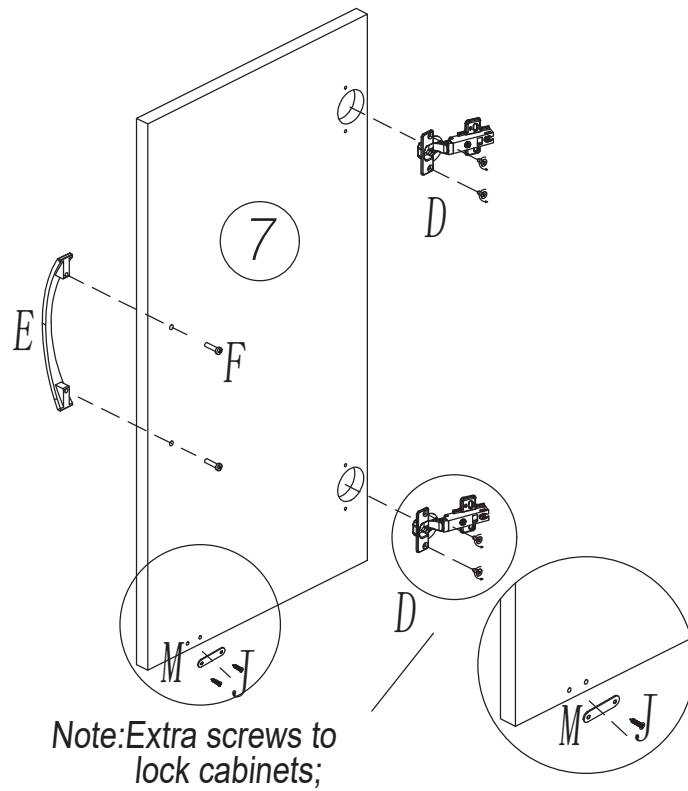
## STEP 04



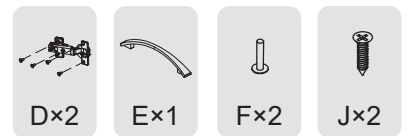
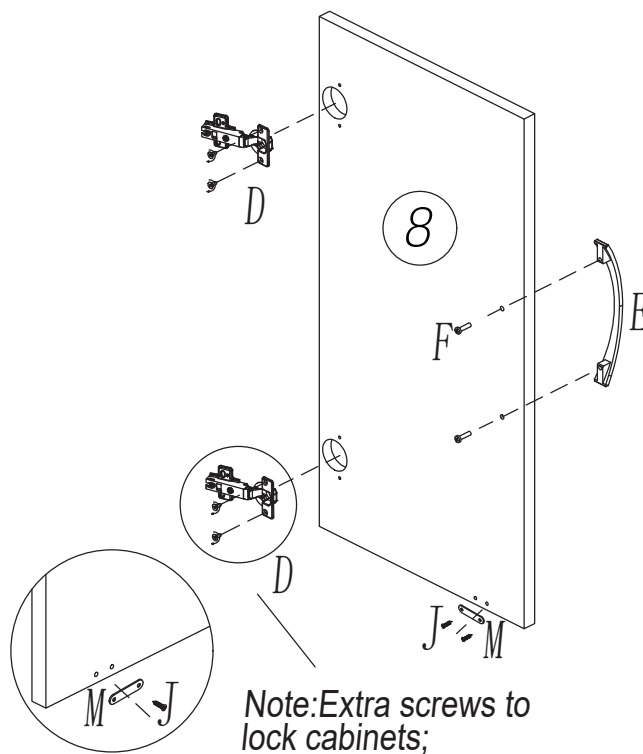
Note: This stopper is installed on the door;

# INSTALLATION PREPARATION

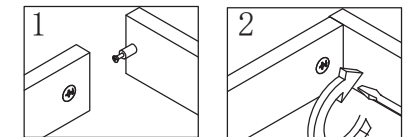
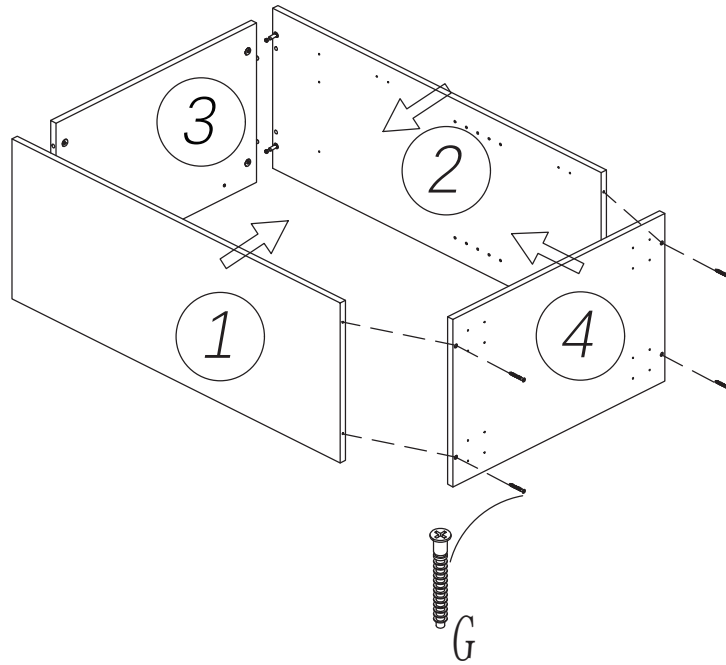
## STEP 05



## STEP 06

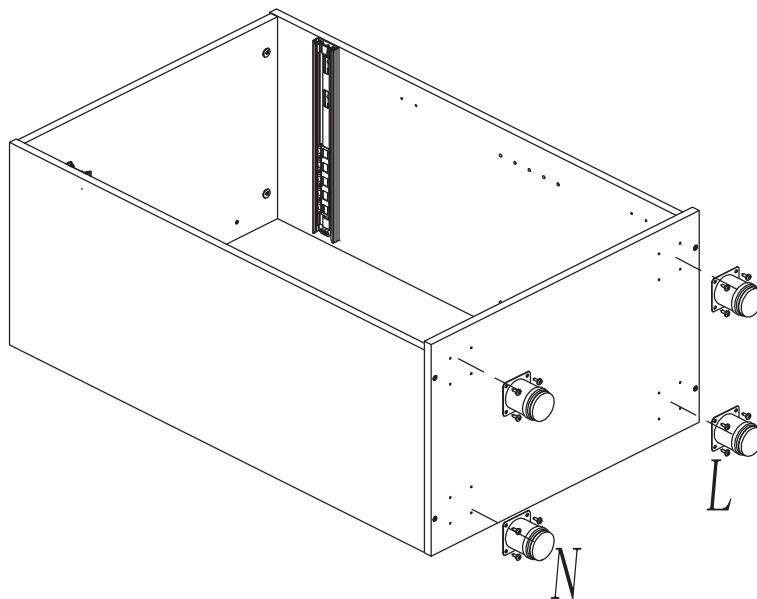


## STEP 07



Remember to lock the Cam Lock

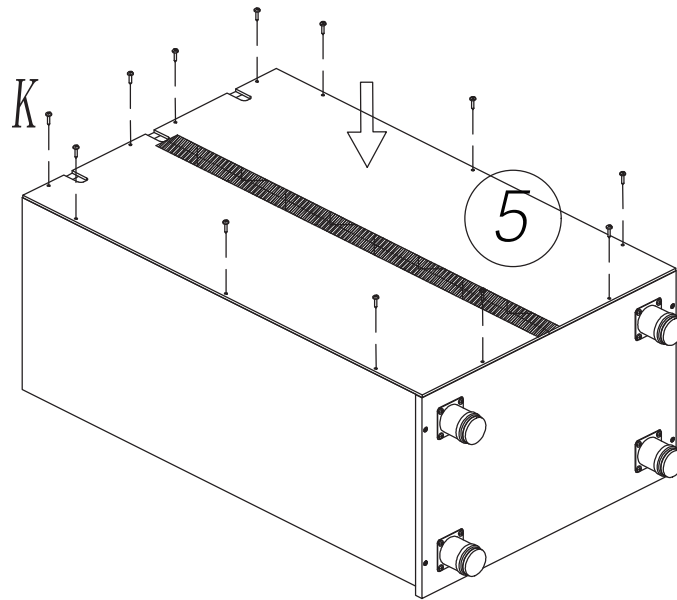
## STEP 08



STEP 09



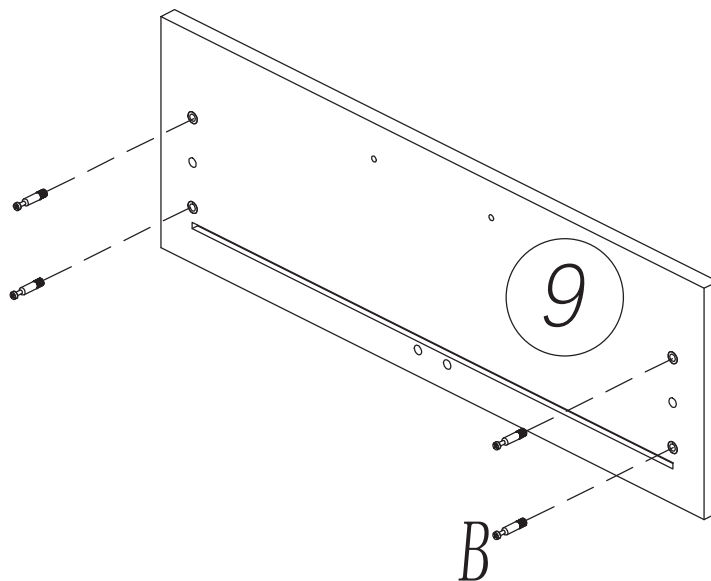
K×12



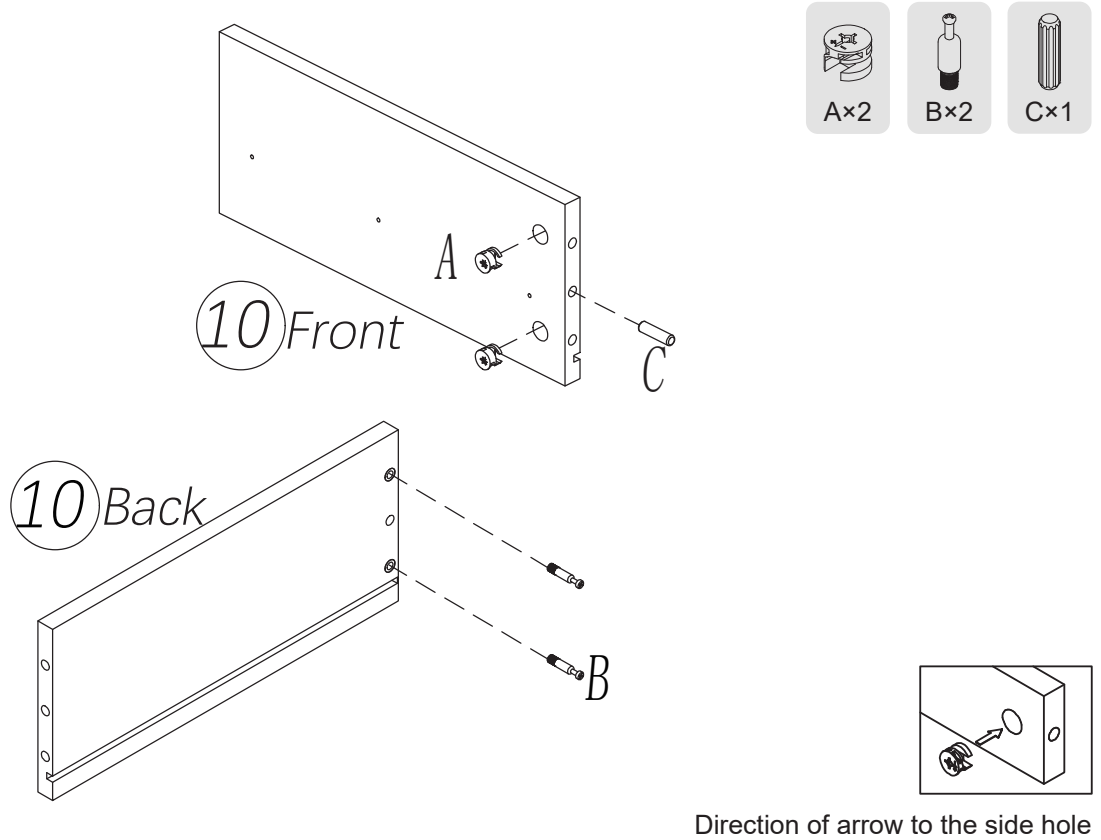
STEP 10



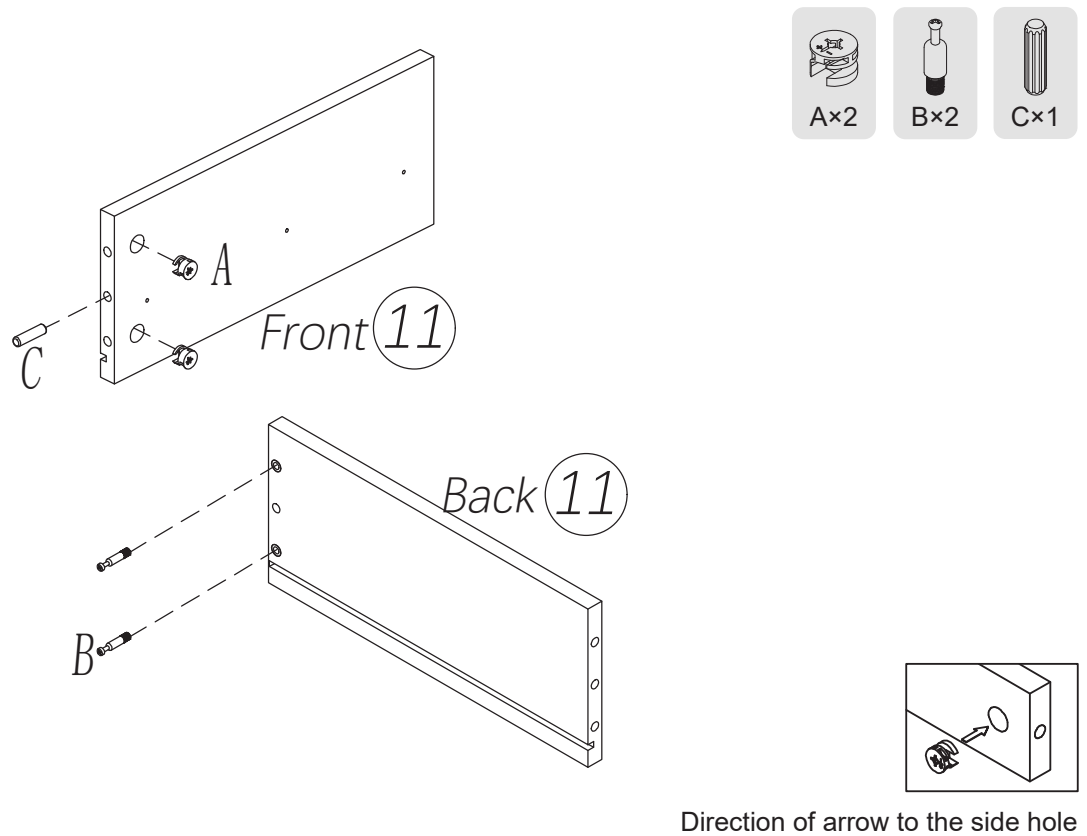
B×4



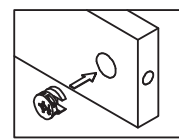
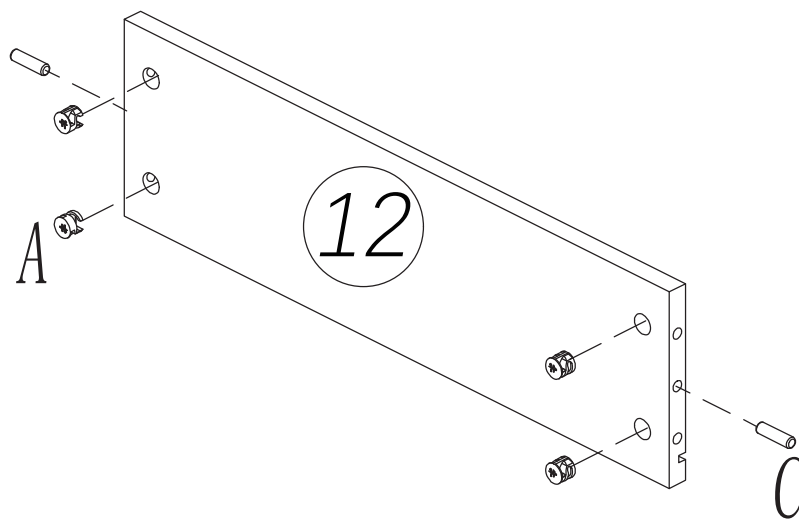
## STEP 11



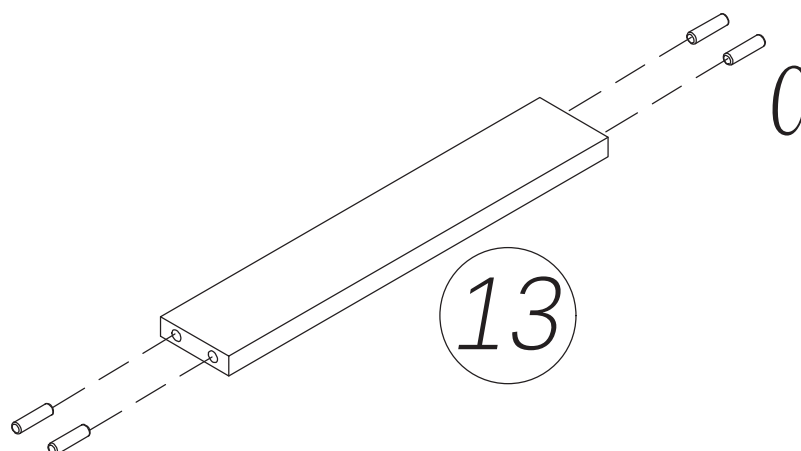
## STEP 12



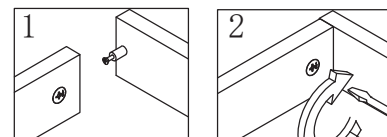
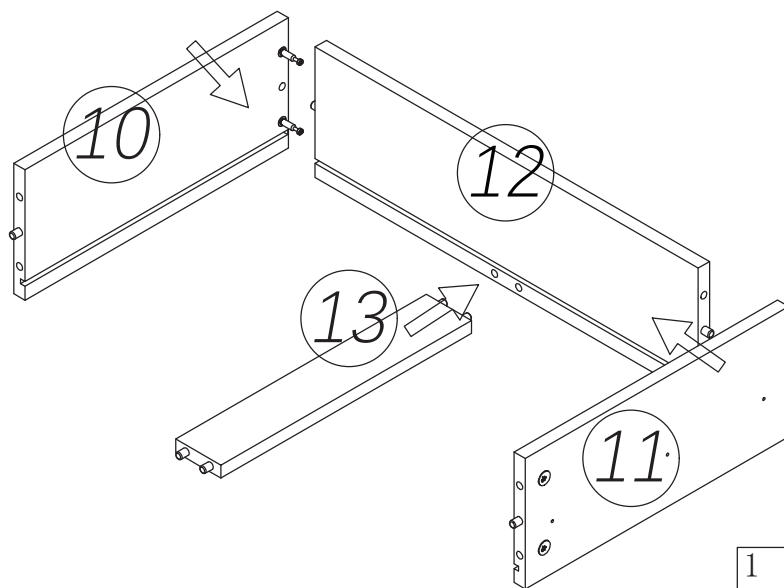
## STEP 13



## STEP 14

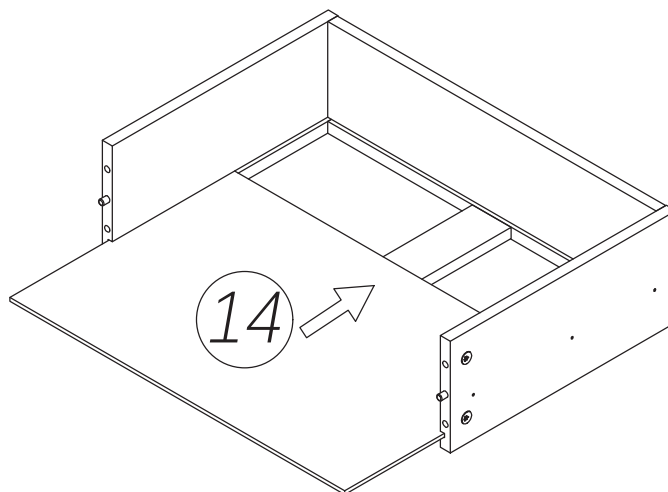


STEP 15

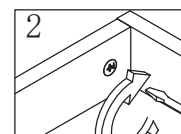
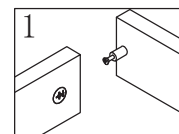
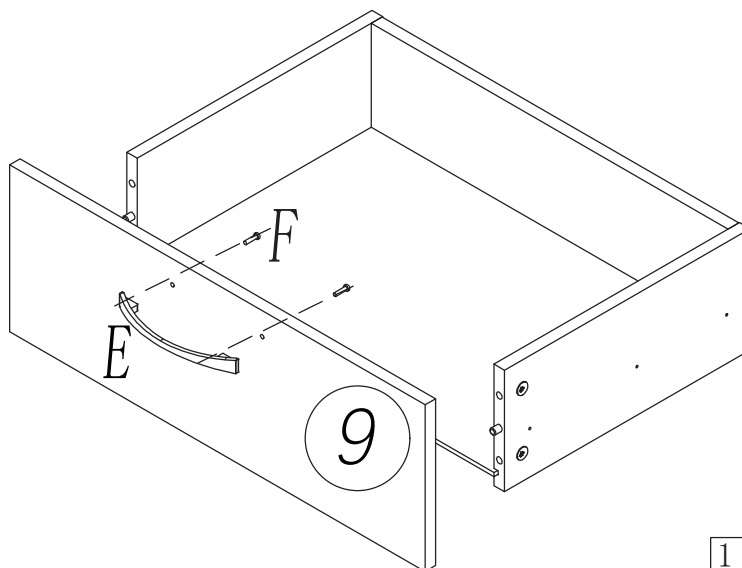


Remember to lock the Cam Lock

STEP 16

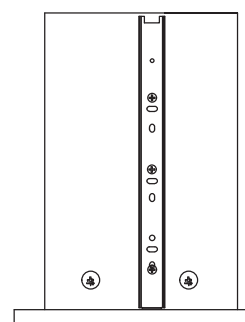
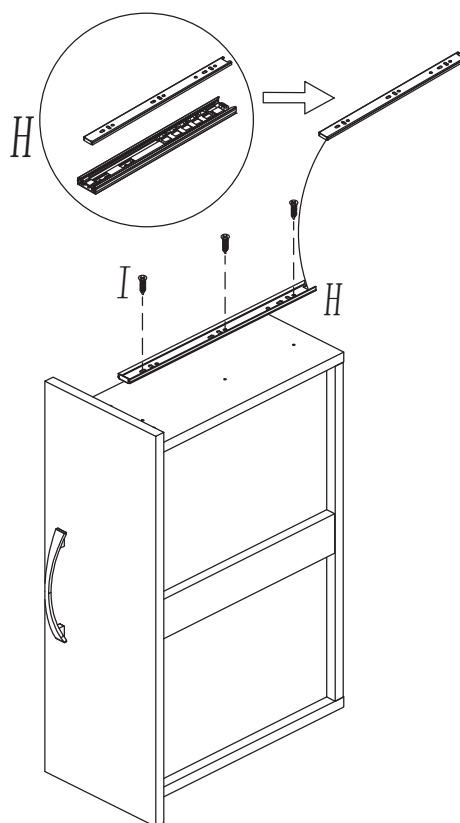


## STEP 17

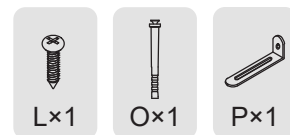
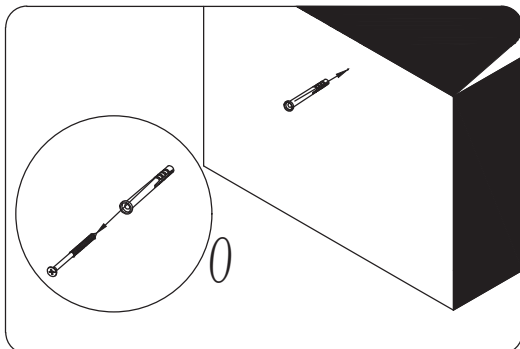


Remember to lock the Cam Lock

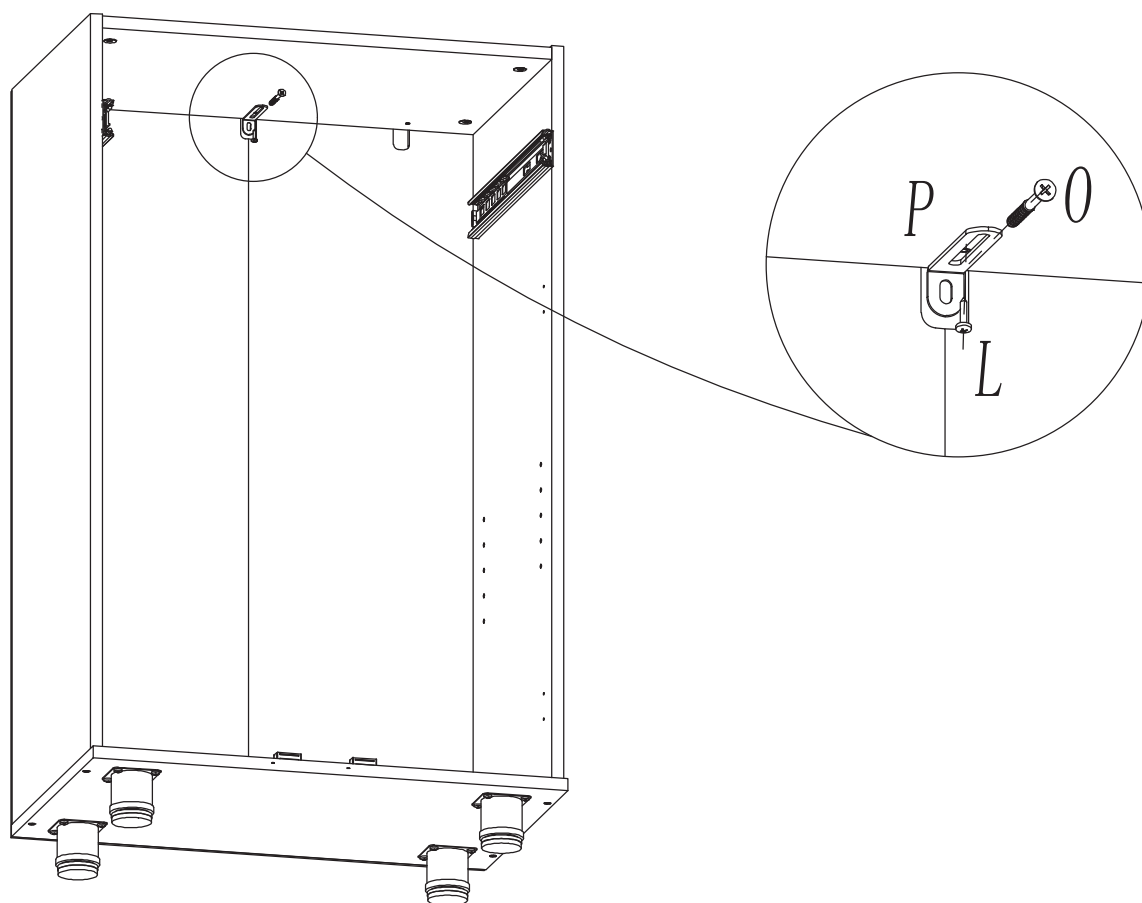
## STEP 18



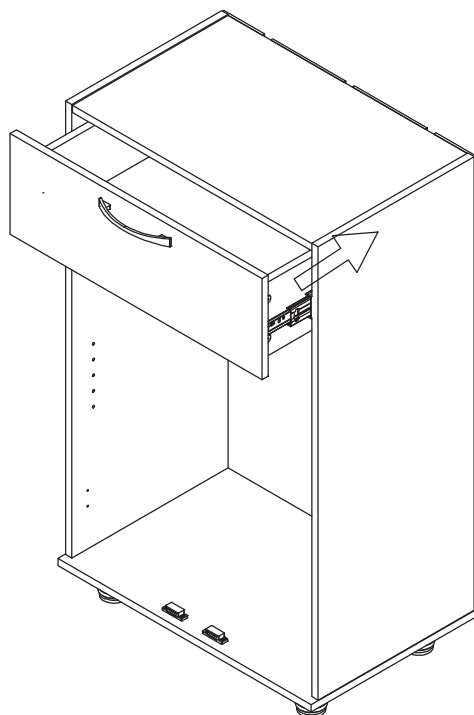
## STEP 19



First of all, remove the screw of the expansion tube, and then drive the expansion tube in the position of the drilled hole in the wall.



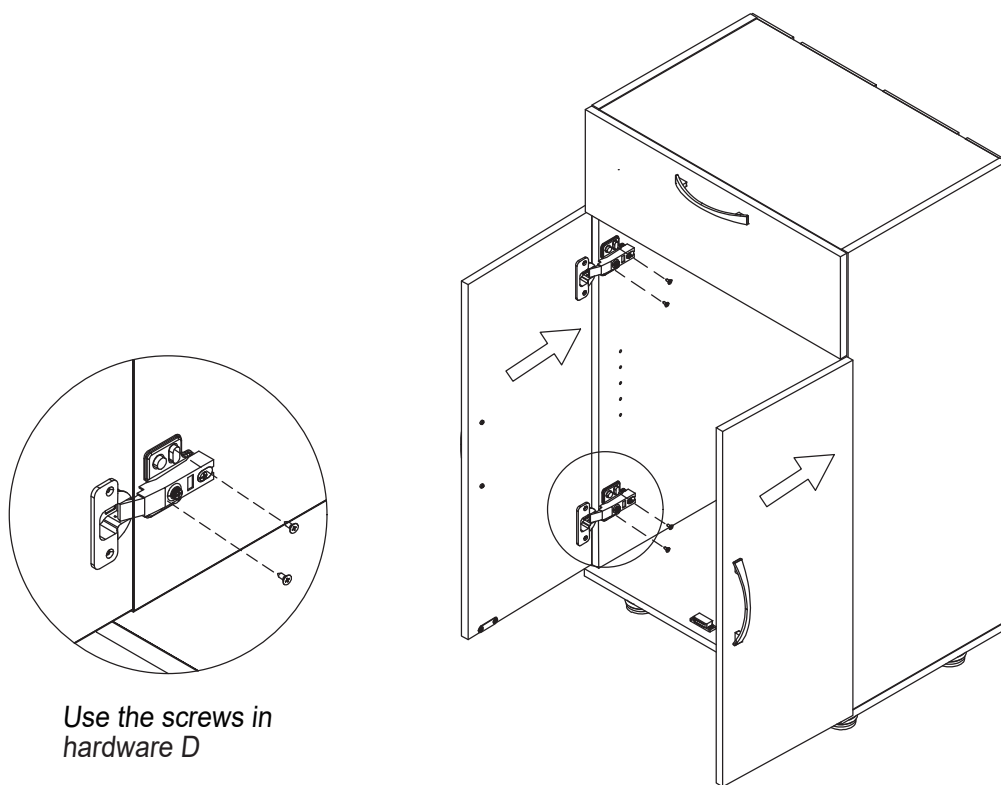
STEP 20



Insert slowly and do not use brute force



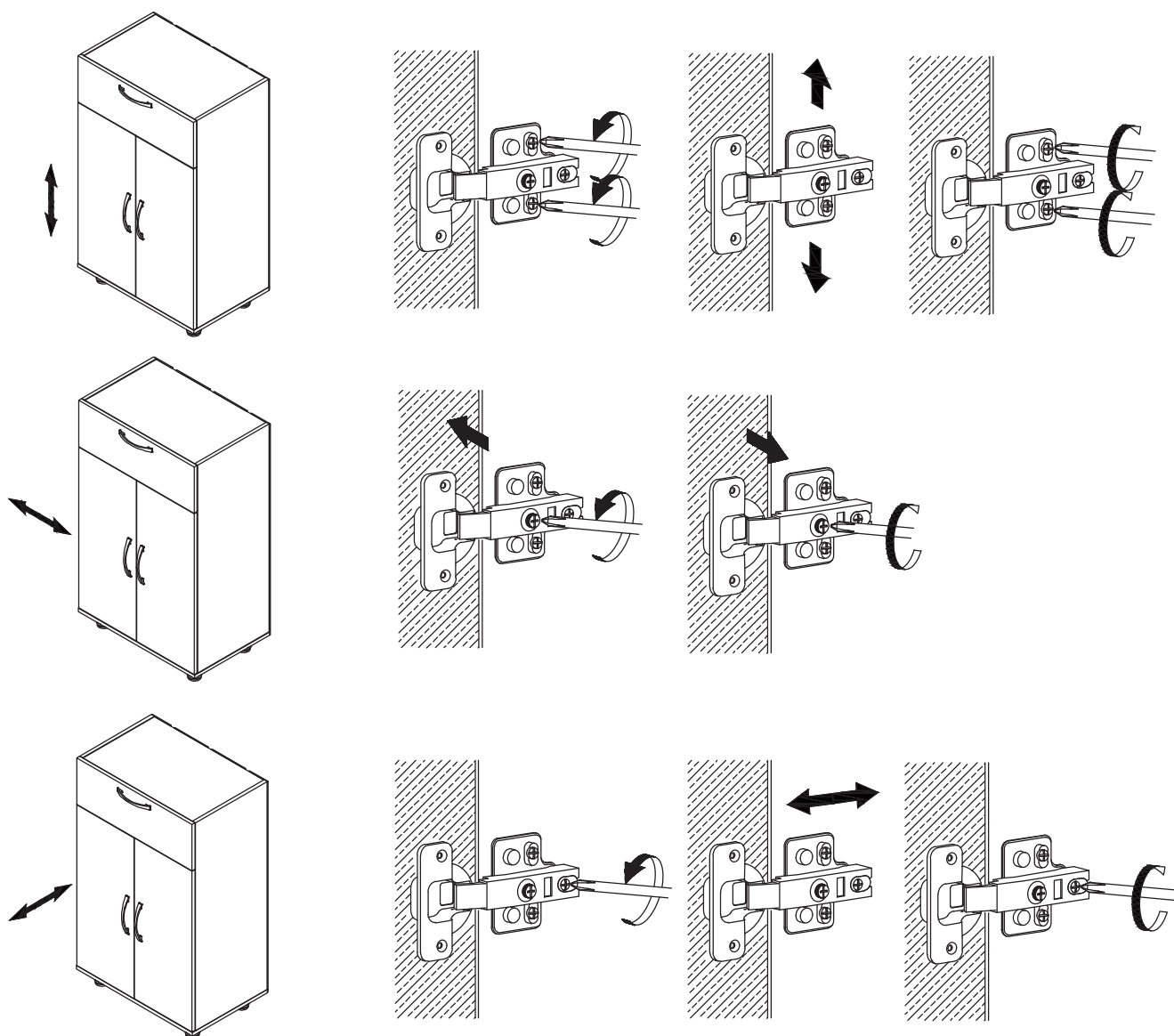
STEP 21



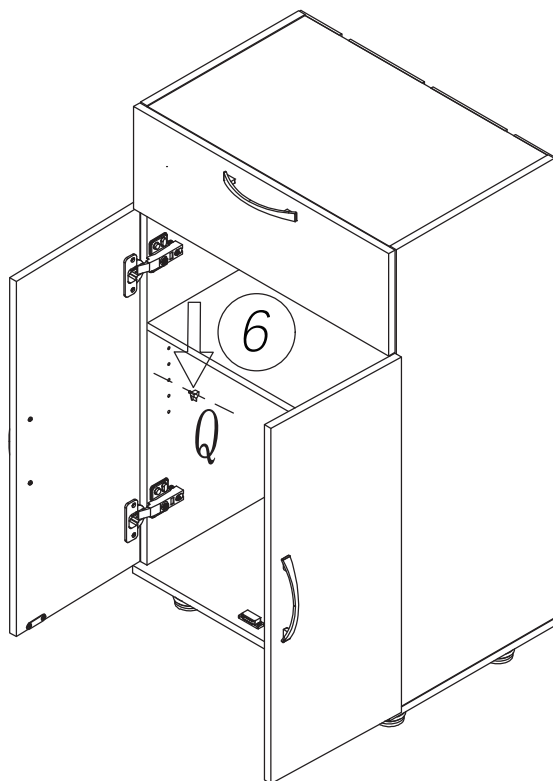
Use the screws in hardware D

# INSTALLATION PREPARATION

If there is misalignment after you install, adjust the screw to the best condition.



## STEP 22



Thank you for your recent order.

We strive to provide customers with great services and satisfaction.

If any questions, please contact us.

Our customer support team is ready to help!