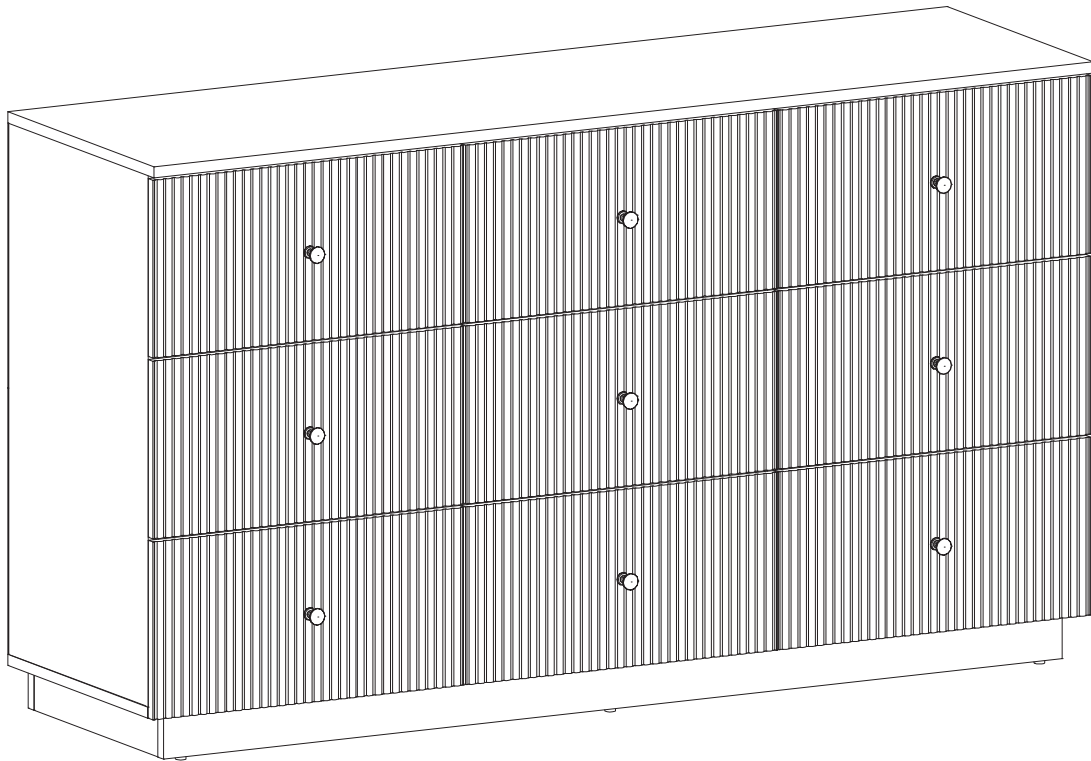
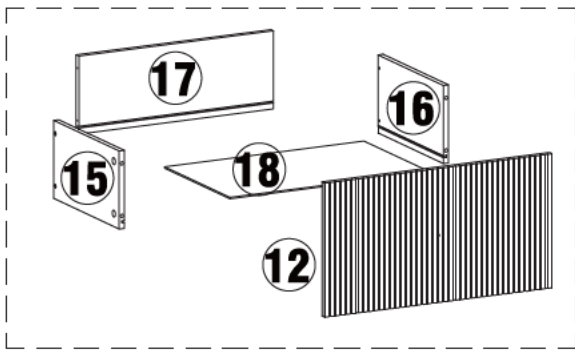
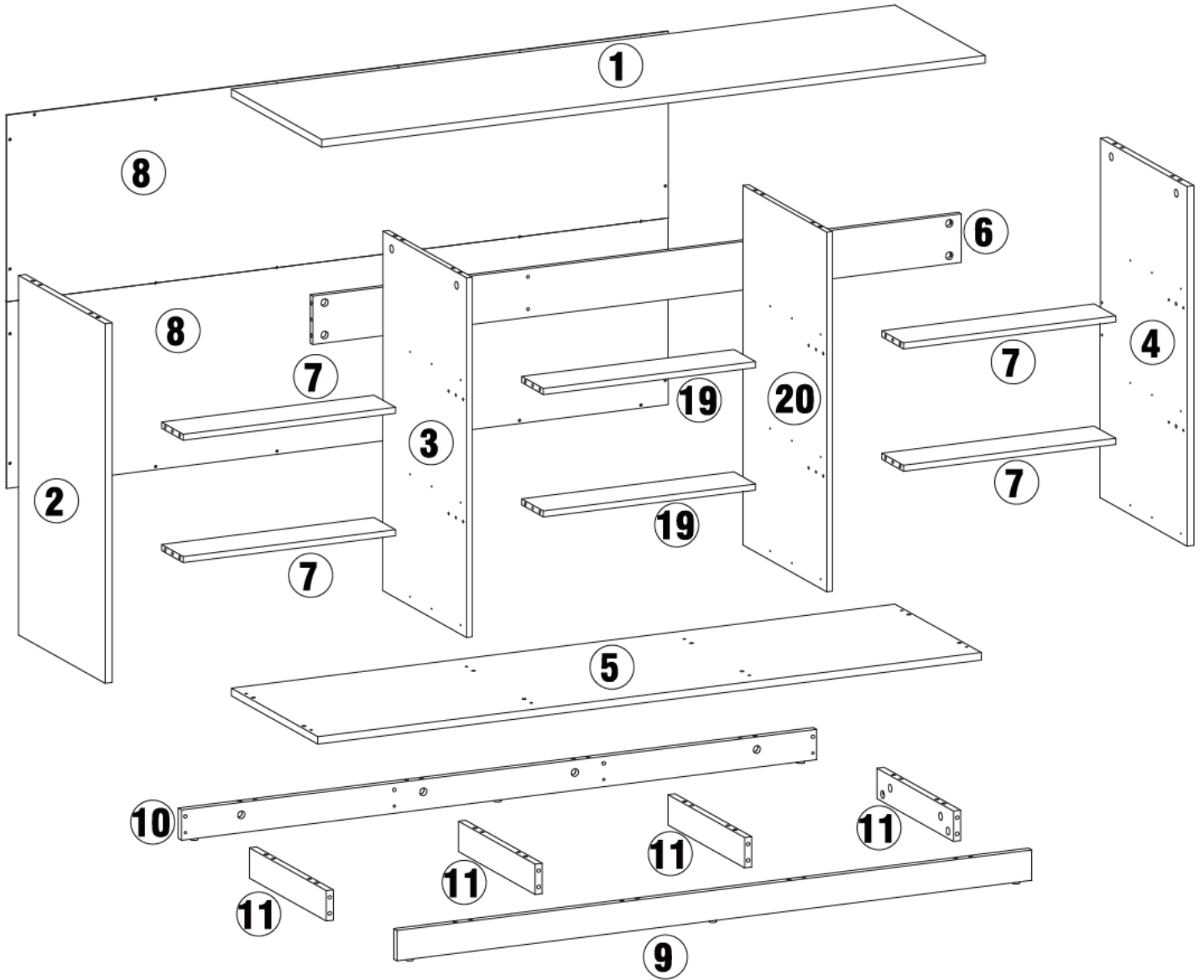


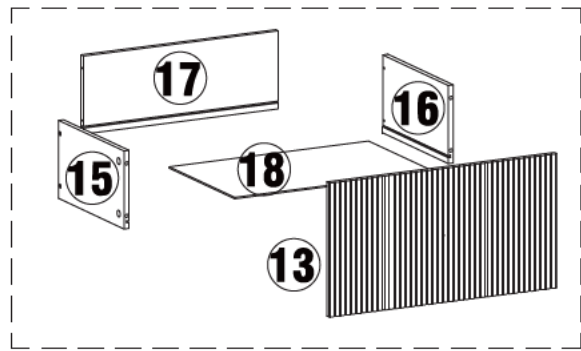
# ASSEMBLY INSTRUCTIONS



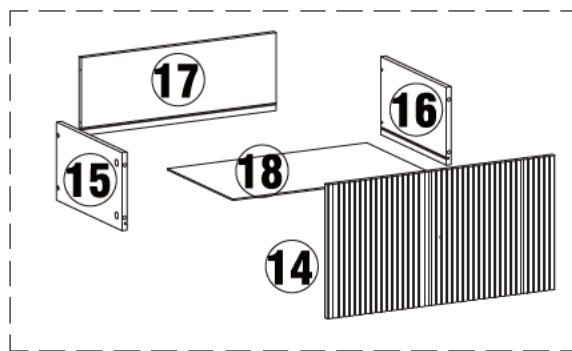
# PACKAGE INCLUDE



**x3**



**x3**



**x3**

# PACKAGE CONTENT

**Ø6x33.5MM**



**A**

**80X+2**

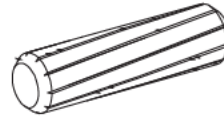
**Ø15x9.5MM**



**B**

**96X+2**

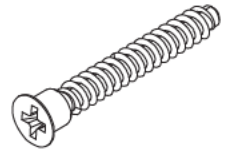
**Ø6x30MM**



**C**

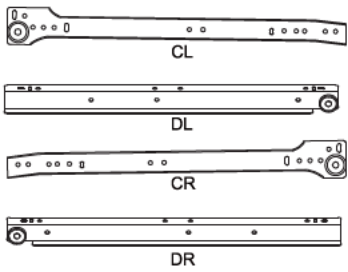
**54X+2**

**Ø5x48MM**



**D**

**12X+1**



**E**

**9X**

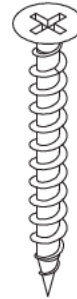
**Ø3.5x12MM**



**F**

**126X+2**

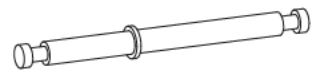
**Ø4x30MM**



**G**

**36X+2**

**Ø6x67MM**



**H**

**8X+1**

**Ø3x14MM**



**I**

**26X+2**

**M4x20MM**



**J**

**9X**



**K**

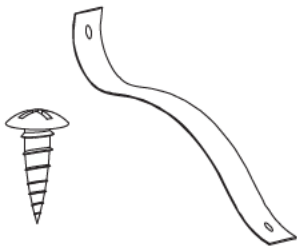
**9X**

**Ø30MM**

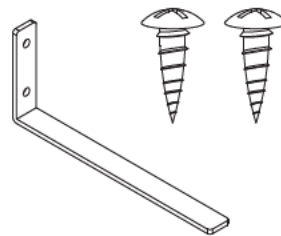
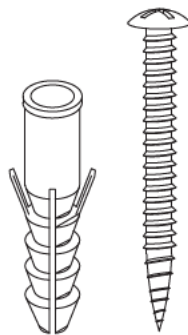


**L**

**36X+2**



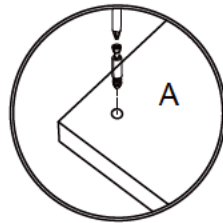
**M**



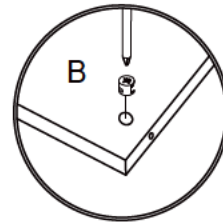
**N**

**2X**

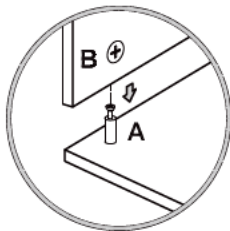
# How to use the cam lock system



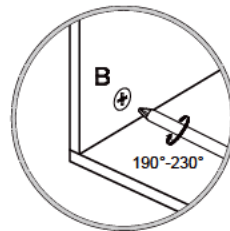
1. Screw cam bolt into panel



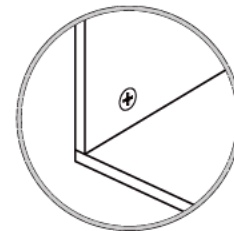
2. Push cam into panel - arrow feature on cam top points to panel edge



3. Align cam bolt(s) with cam(s) and insert all the way into cross-bored hole(s)

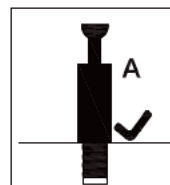
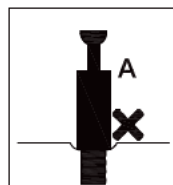
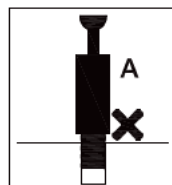
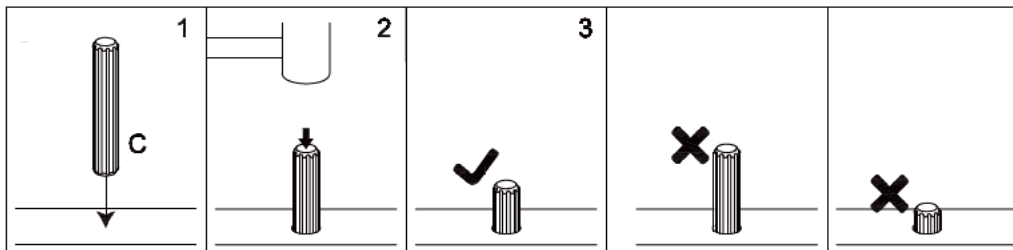


4. Rotate cam(s) clockwise 190°-230° to lock panels together



5. Panels should be tight against each other and connection should be rigid

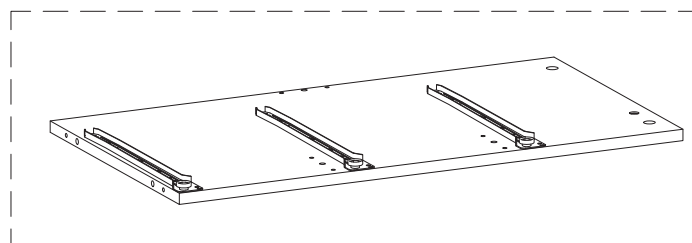
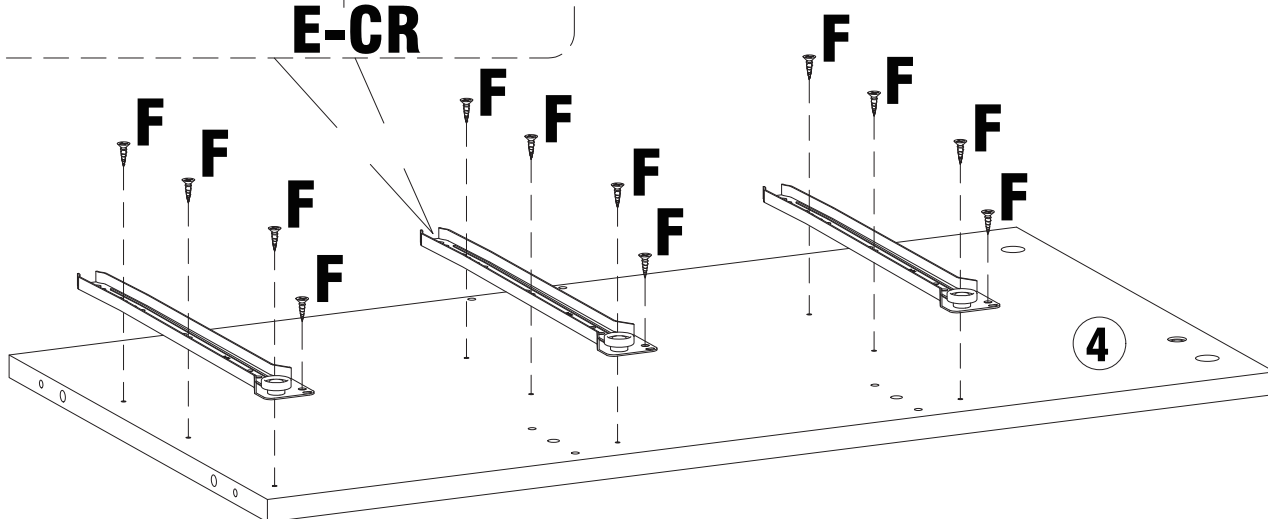
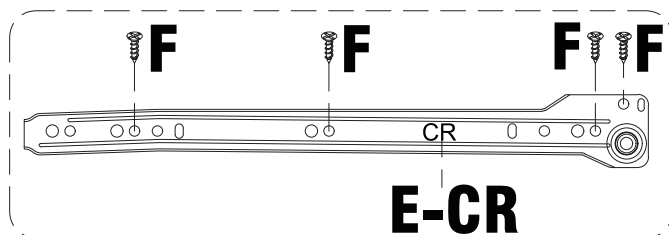
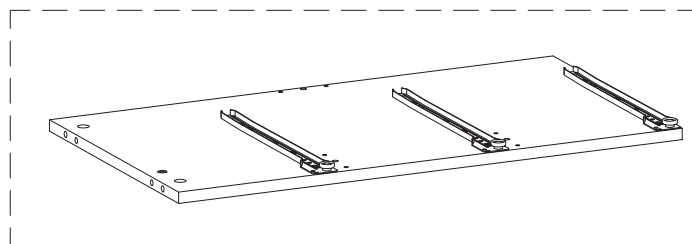
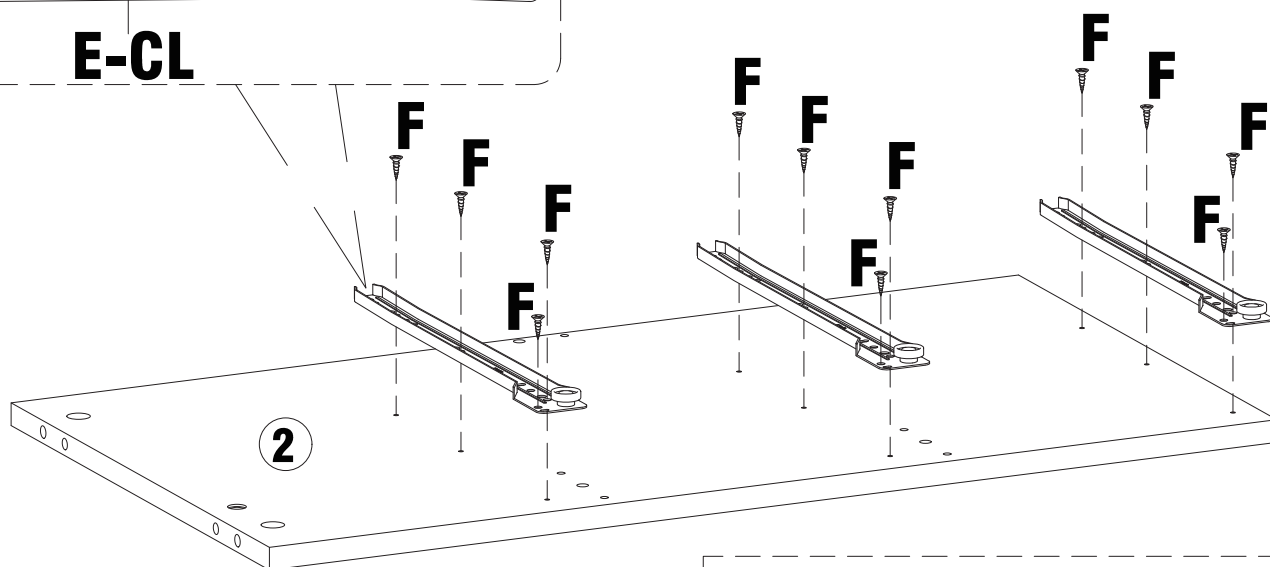
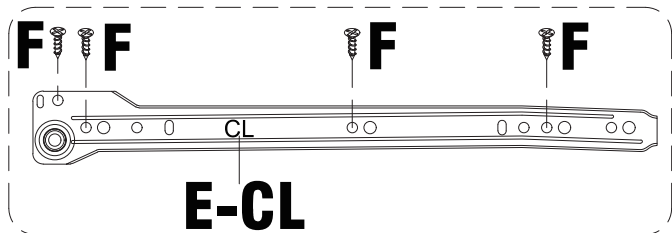
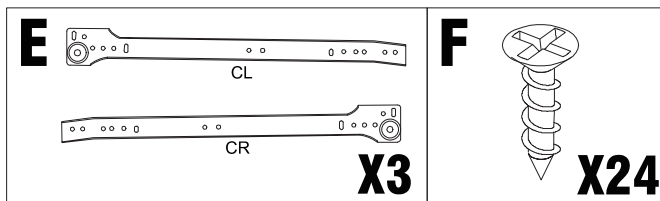
Insert the wood dowel [C] at least half way by tapping lightly with a rubber mallet, IF NECESSARY.



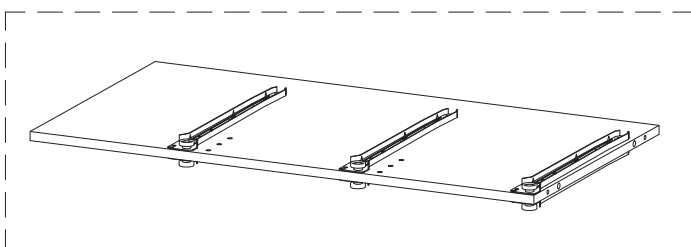
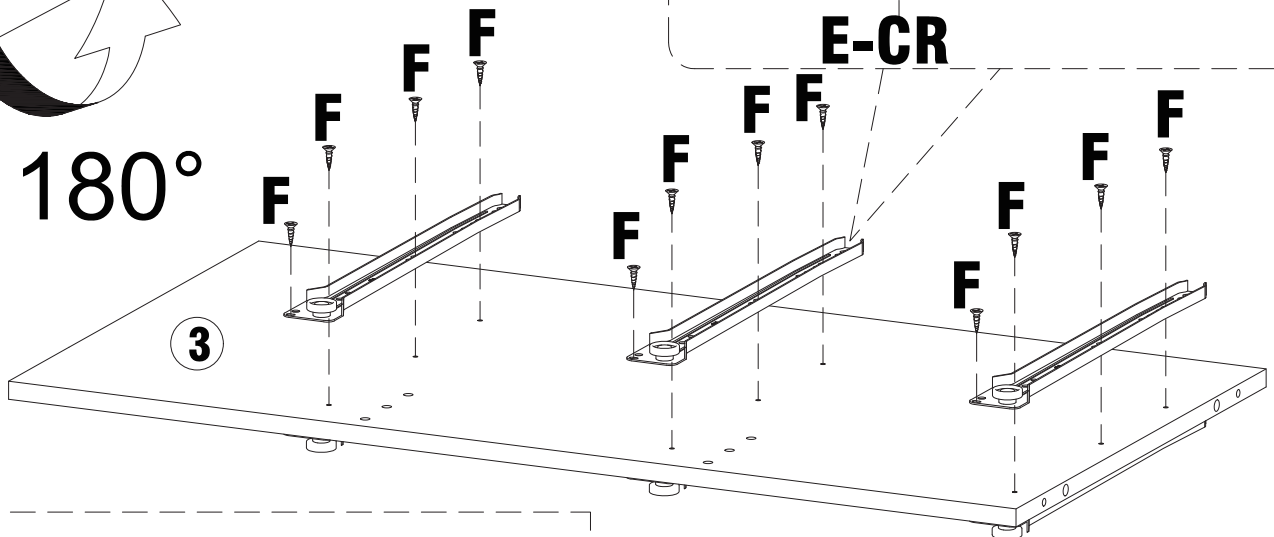
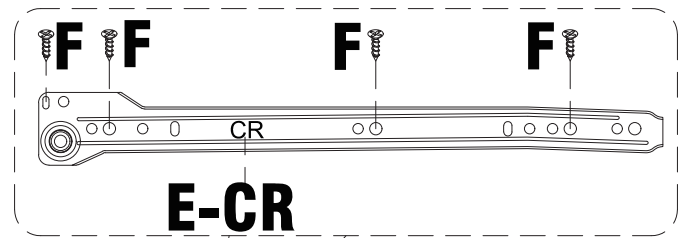
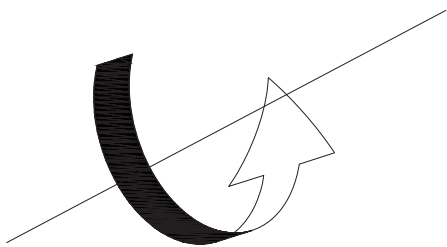
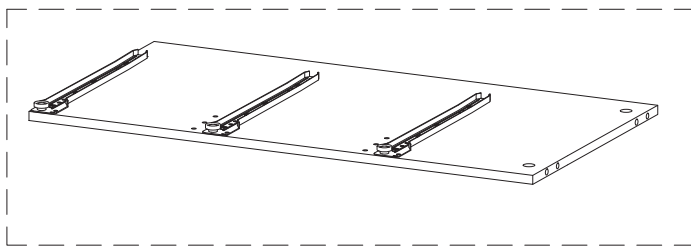
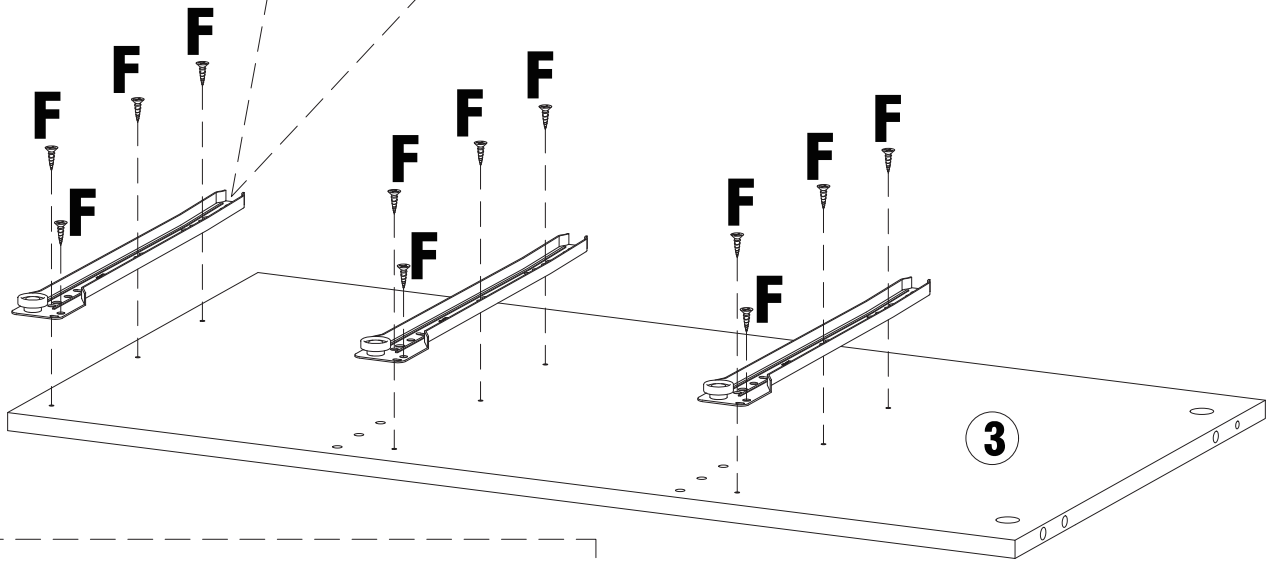
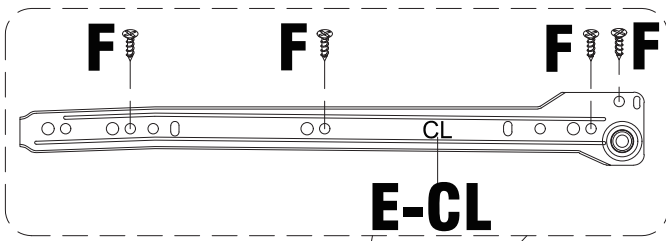
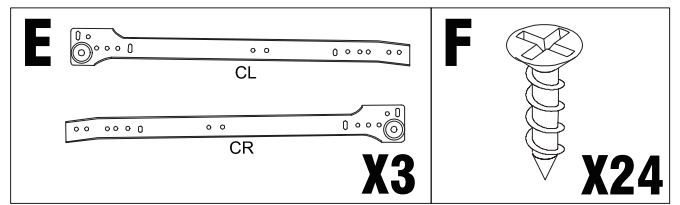
## ⚠ WARNING

- Unit must be placed on a level surface or leveled with included hardware (when applicable).
- Do not sit or stand on or allow children to climb, sit or stand on the assembled product.
- For safety reasons, it is imperative that this unit be mounted to the wall.
- Do not use without installing the tip restraint.
- Unit can tip over causing severe injury or death.
- Do not exceed the recommended weight limits.
- Evenly distribute the weight on each level and always keep the heavier loads on the bottom.
- Before cutting, drilling or hammering into any wall or floor surface, verify the location of electrical, plumbing and gas lines. Cutting may cause serious injury.

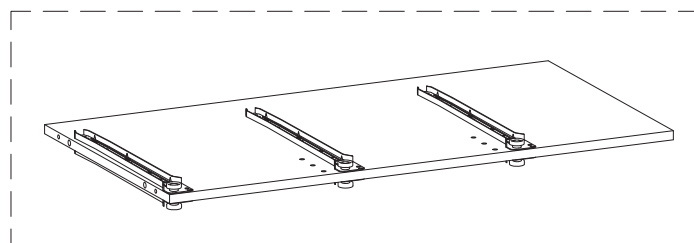
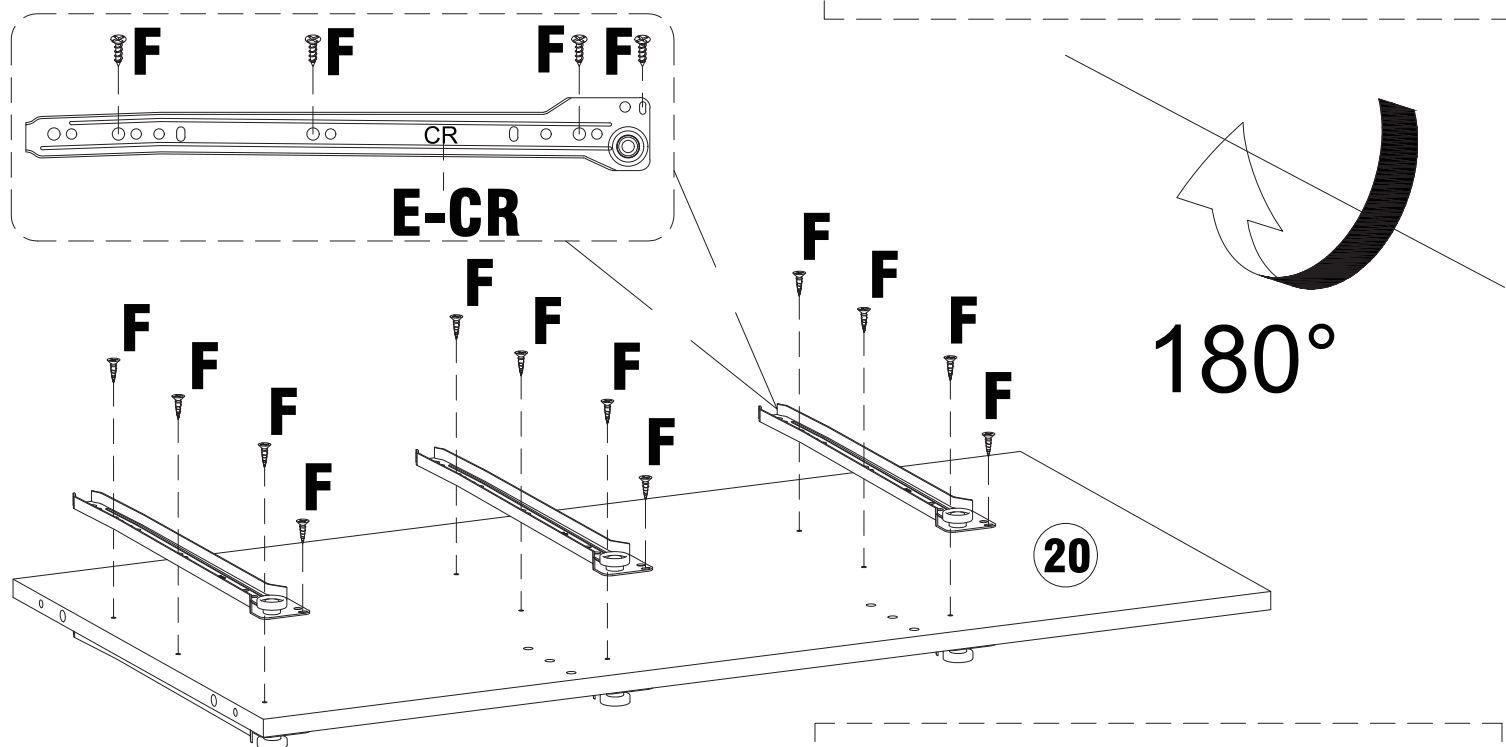
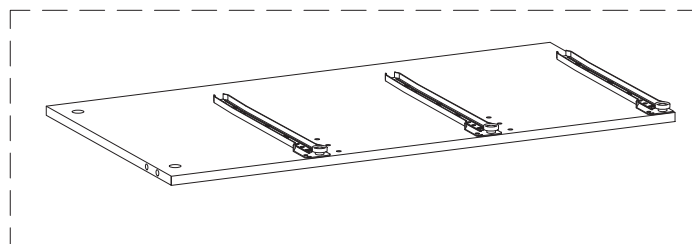
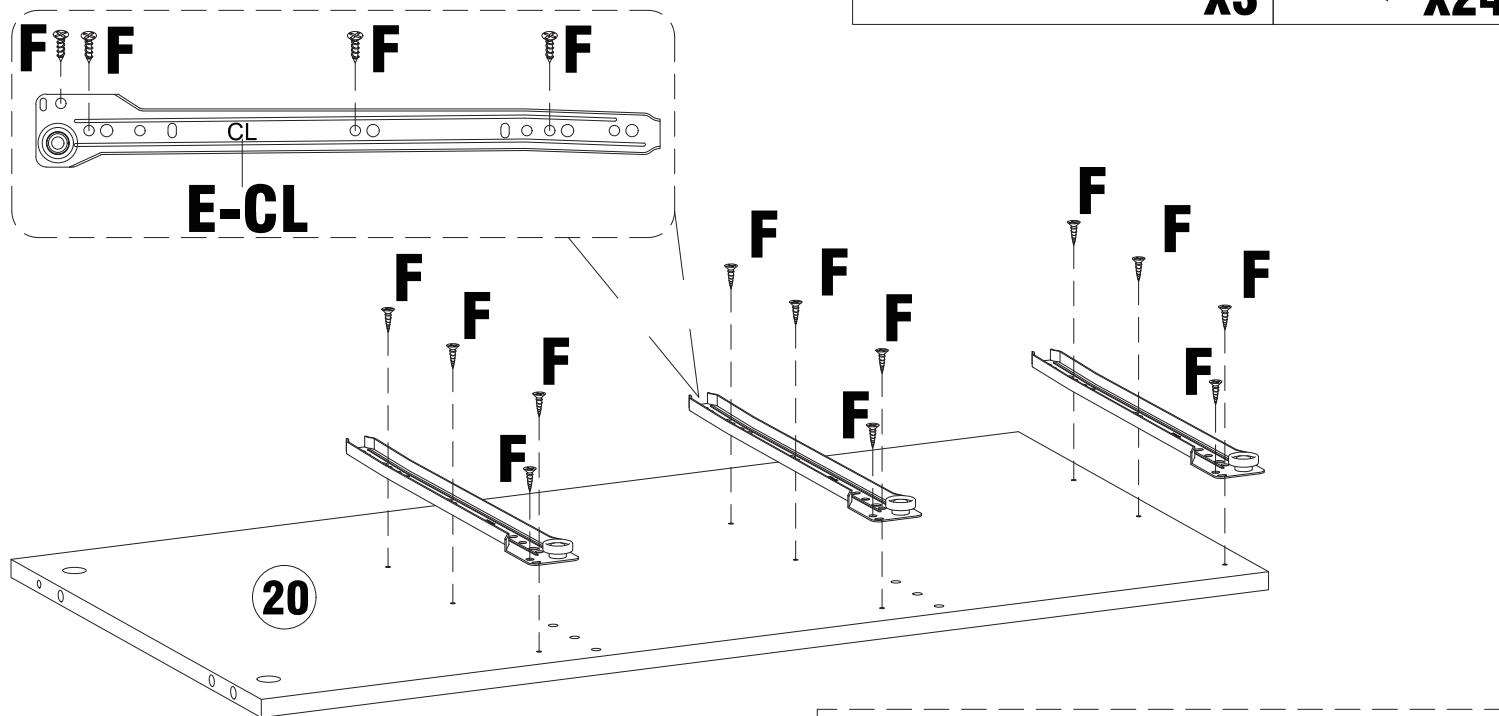
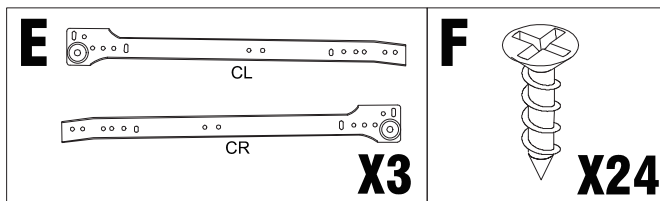
# STEP 1



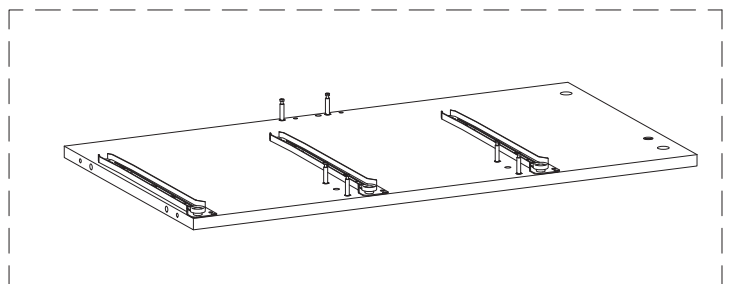
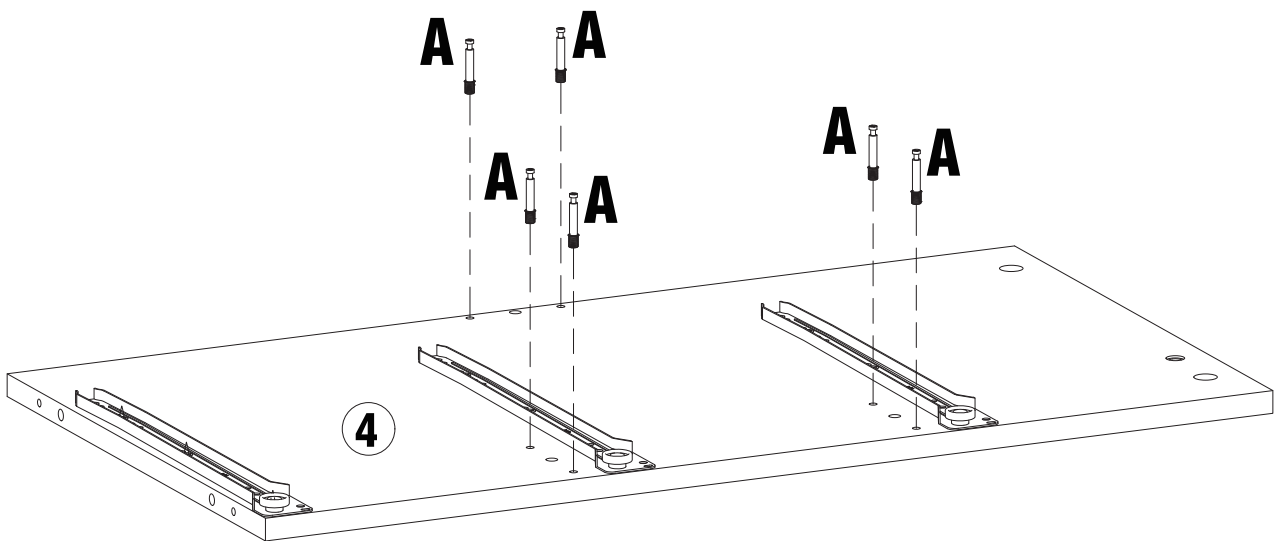
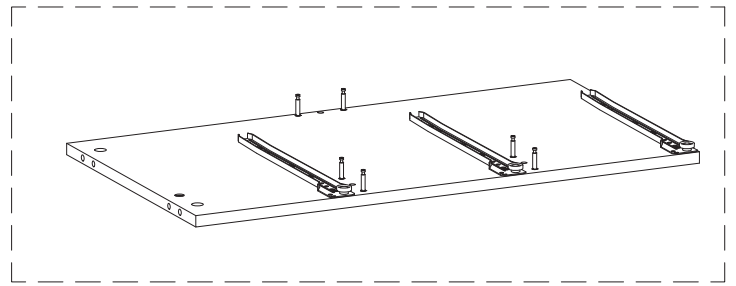
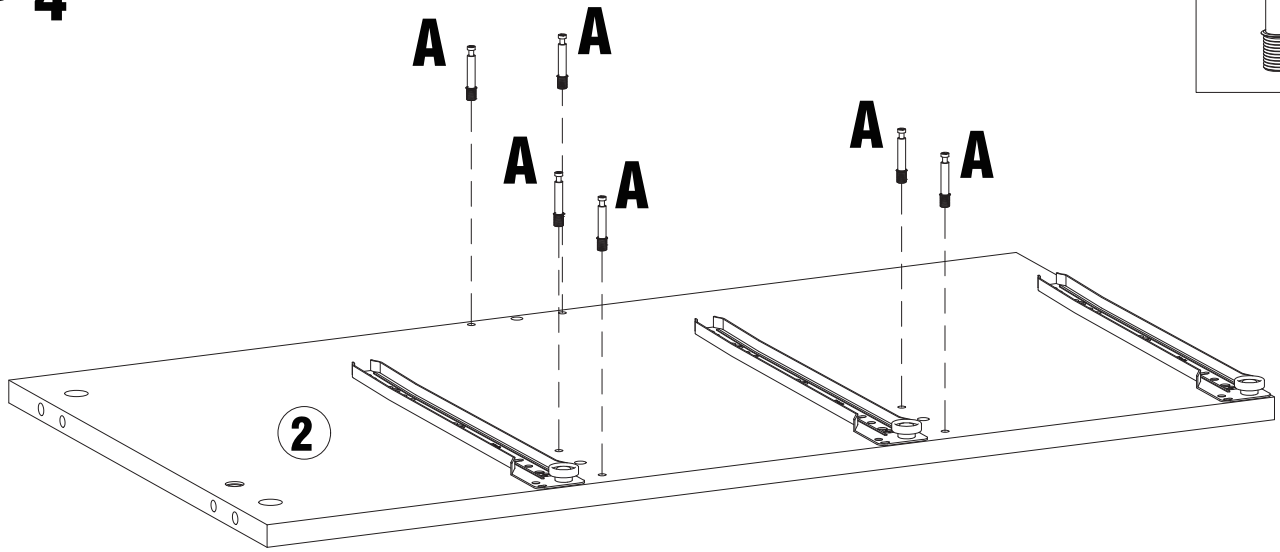
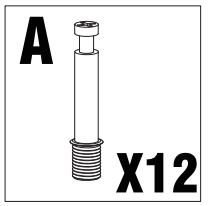
# STEP 2



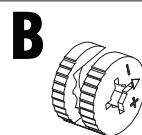
# STEP 3



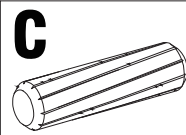
# STEP 4



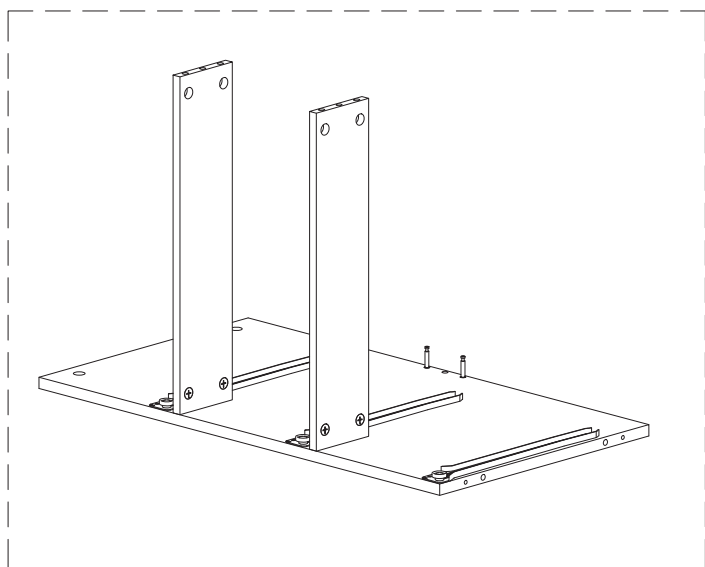
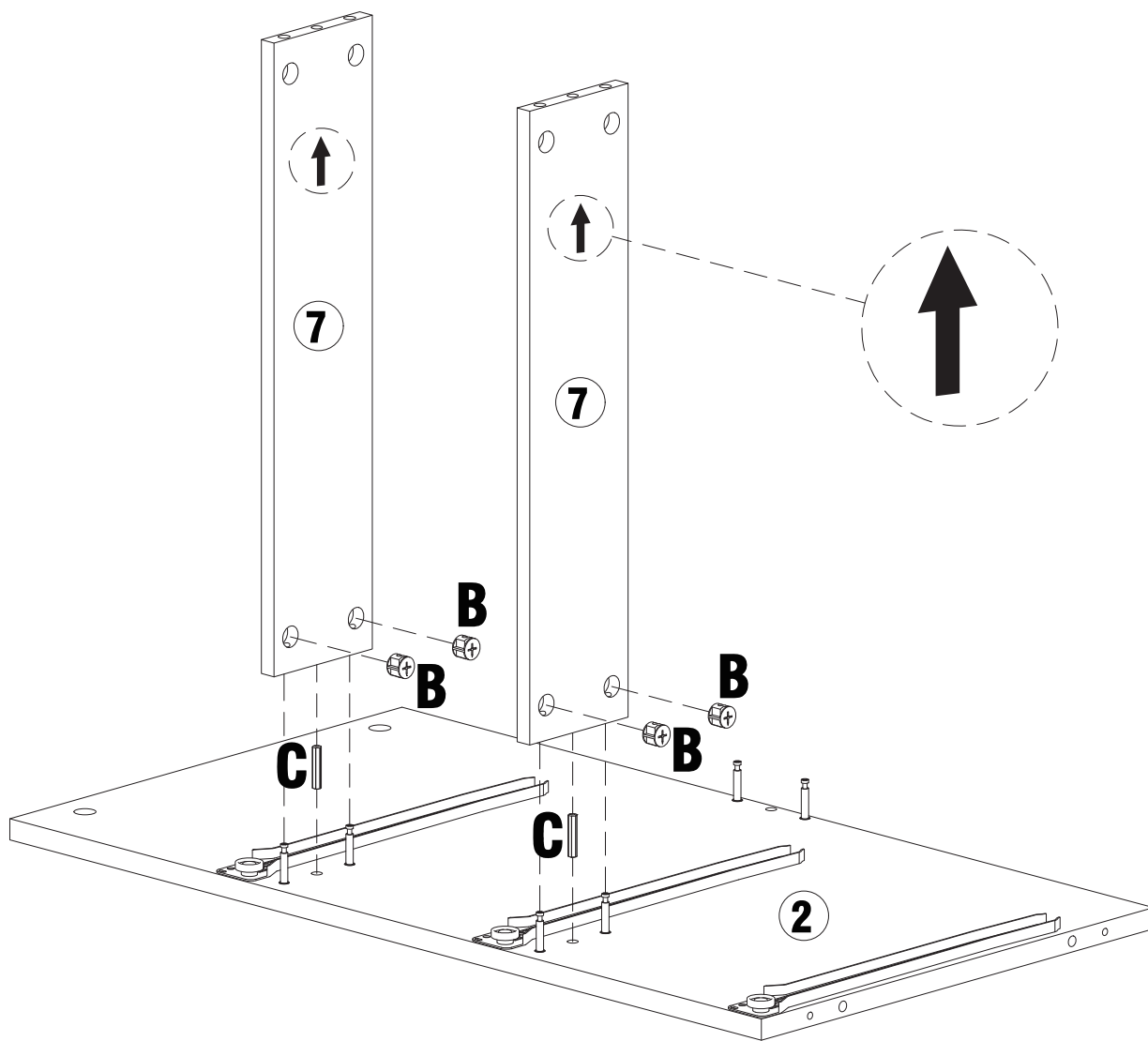
# STEP 5




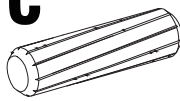

**X4**

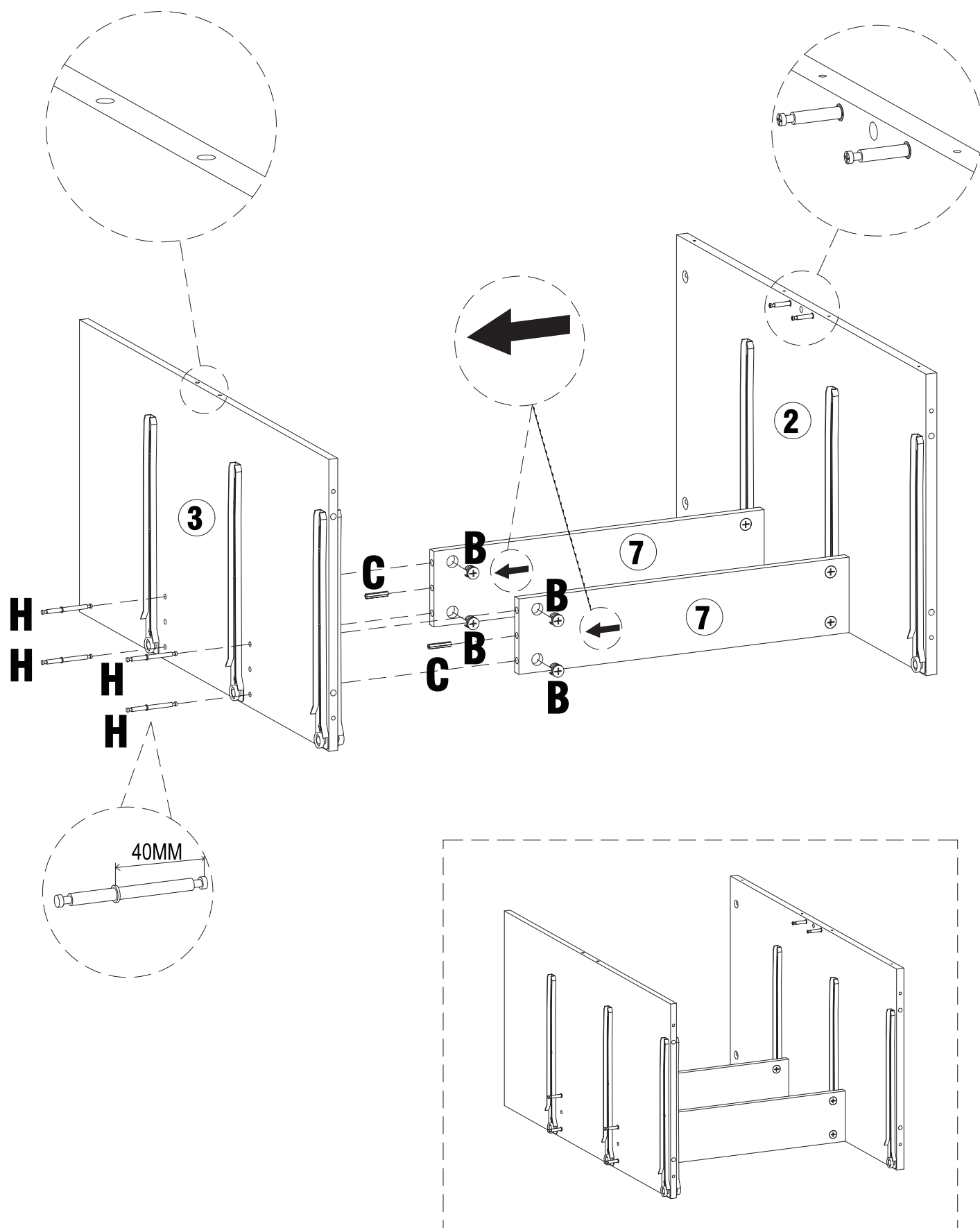


**X2**

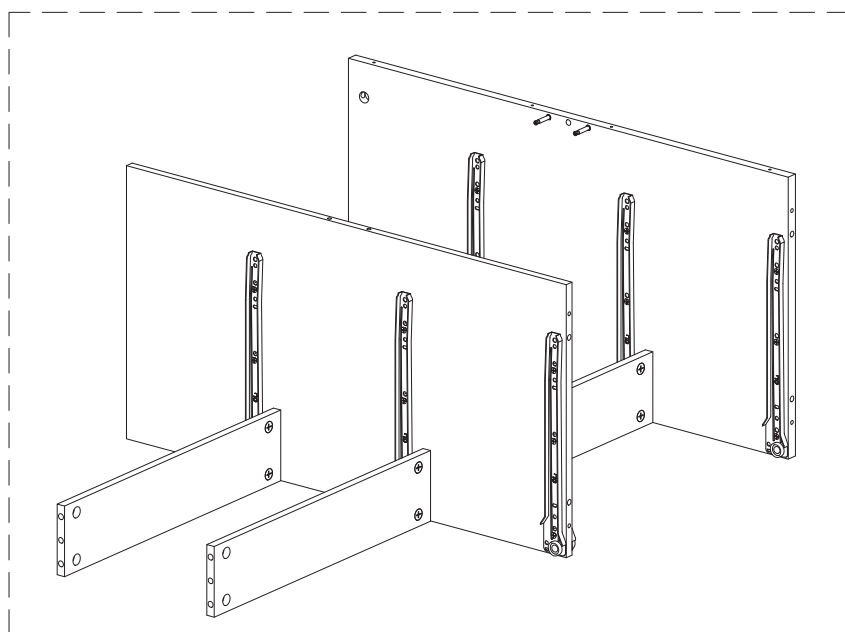
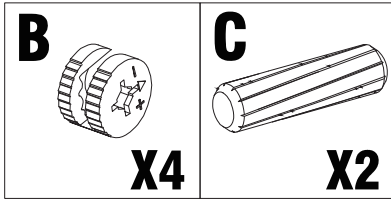
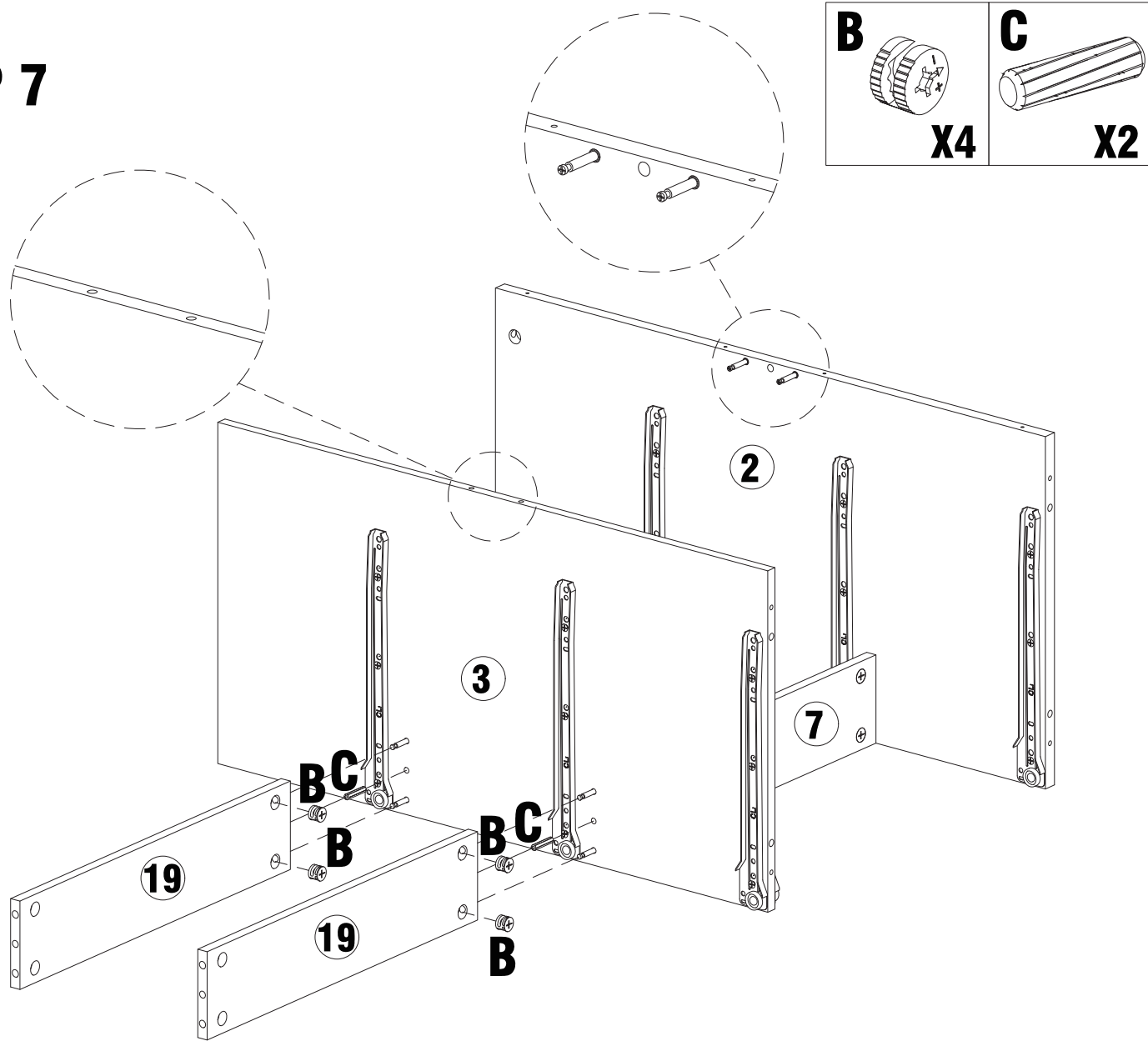


# STEP 6

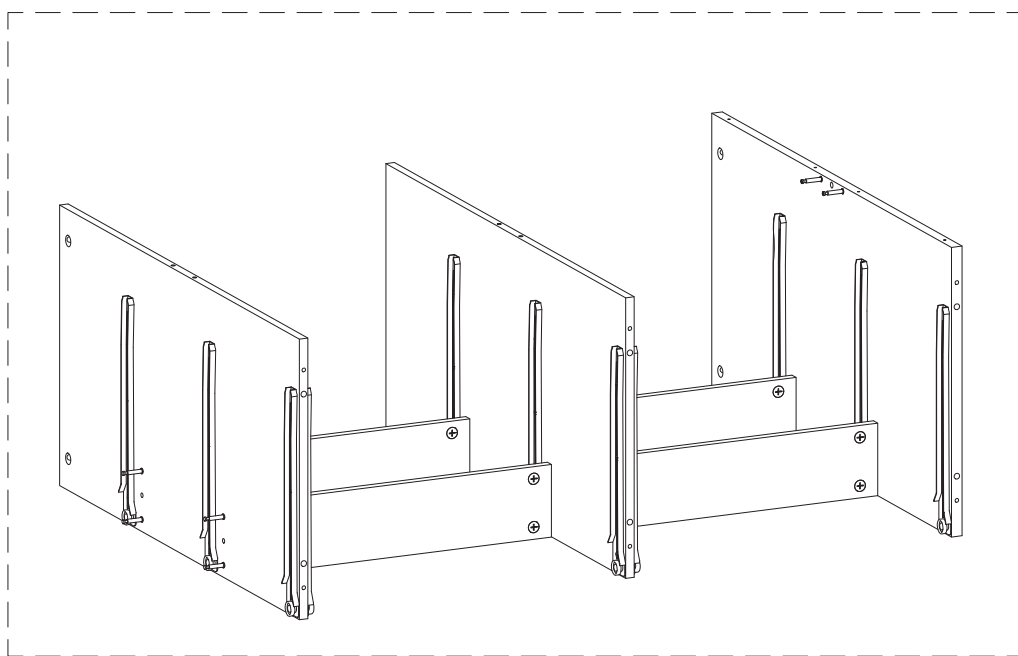
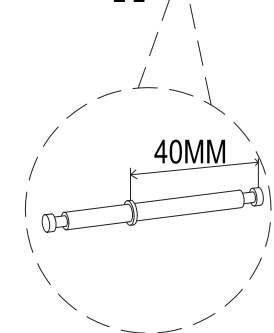
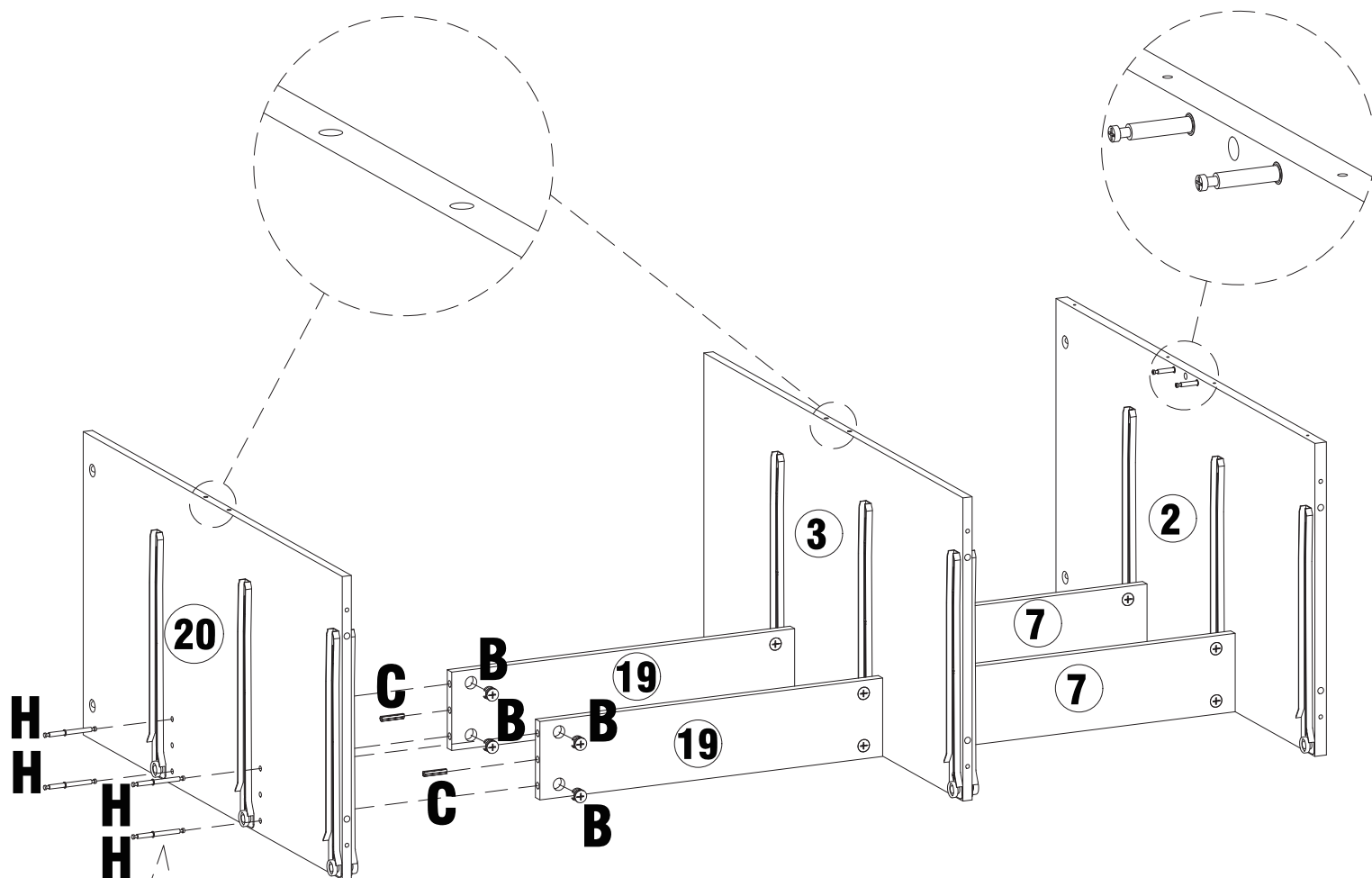
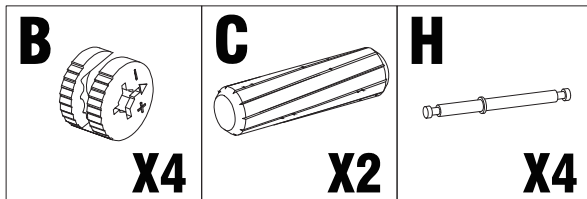
<b>B</b>  <b>X4</b>	<b>C</b>  <b>X2</b>	<b>H</b>  <b>X4</b>
---	---	--



# STEP 7



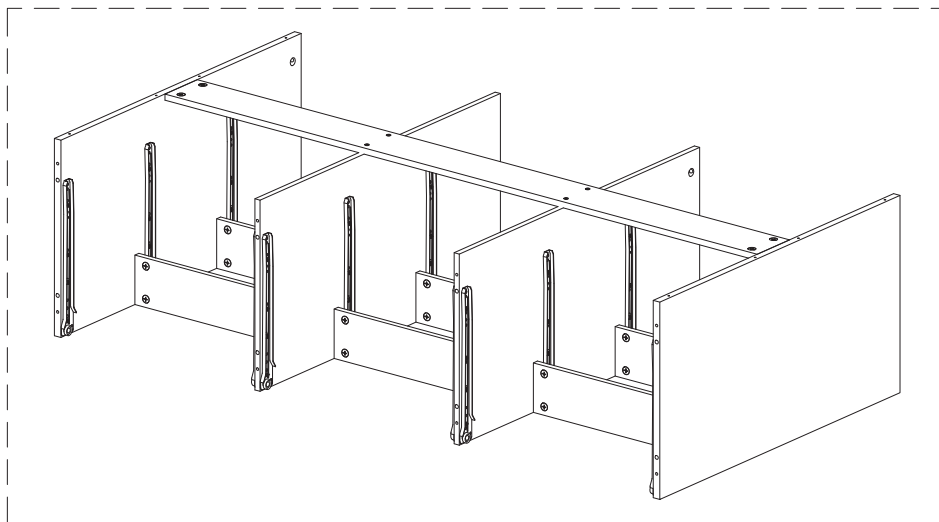
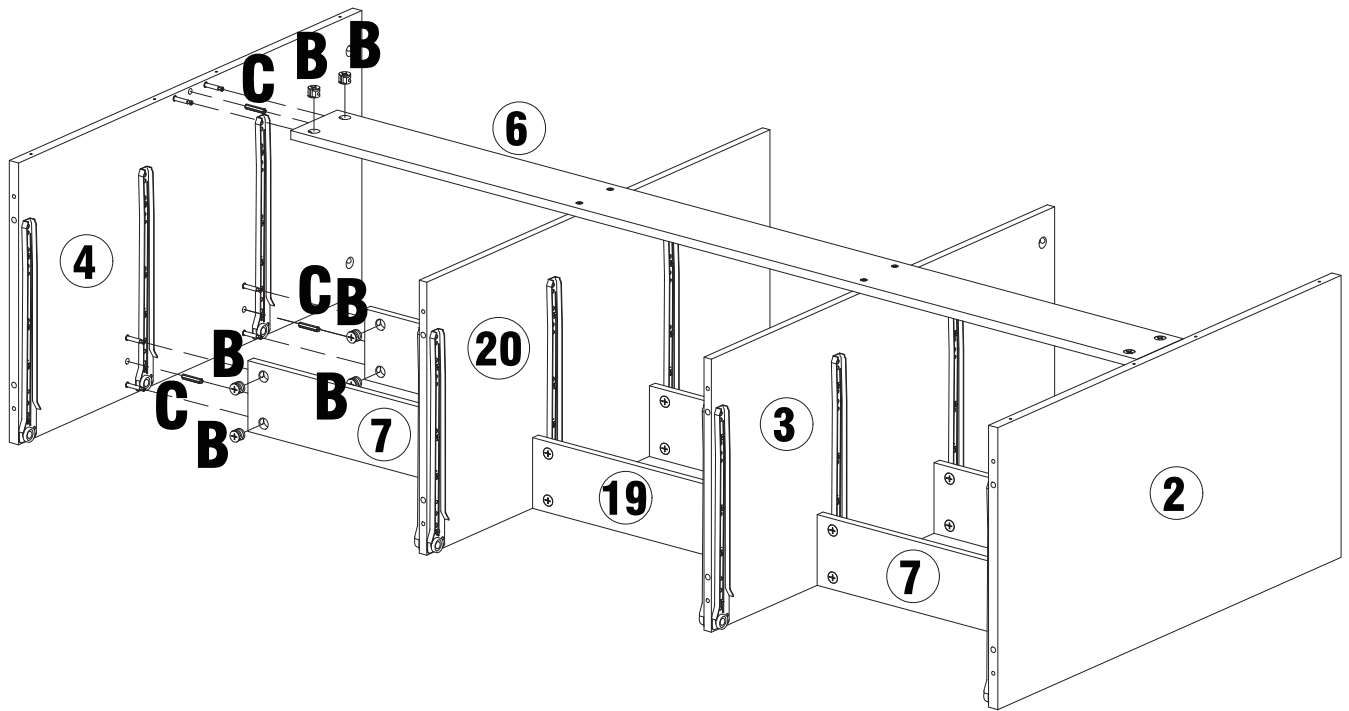
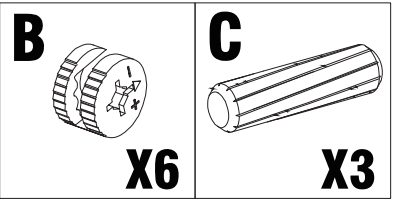
# STEP 8



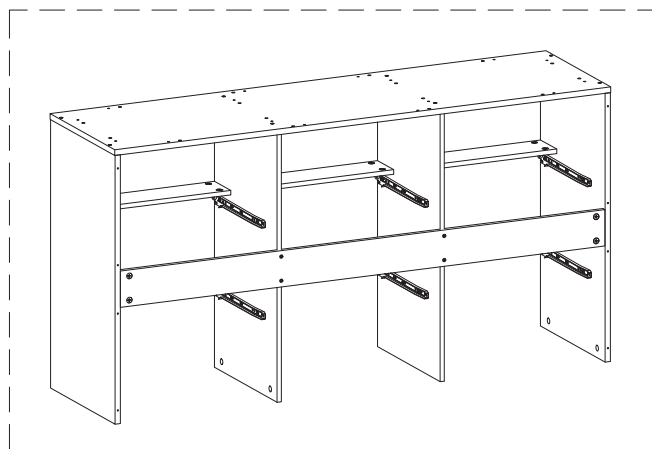
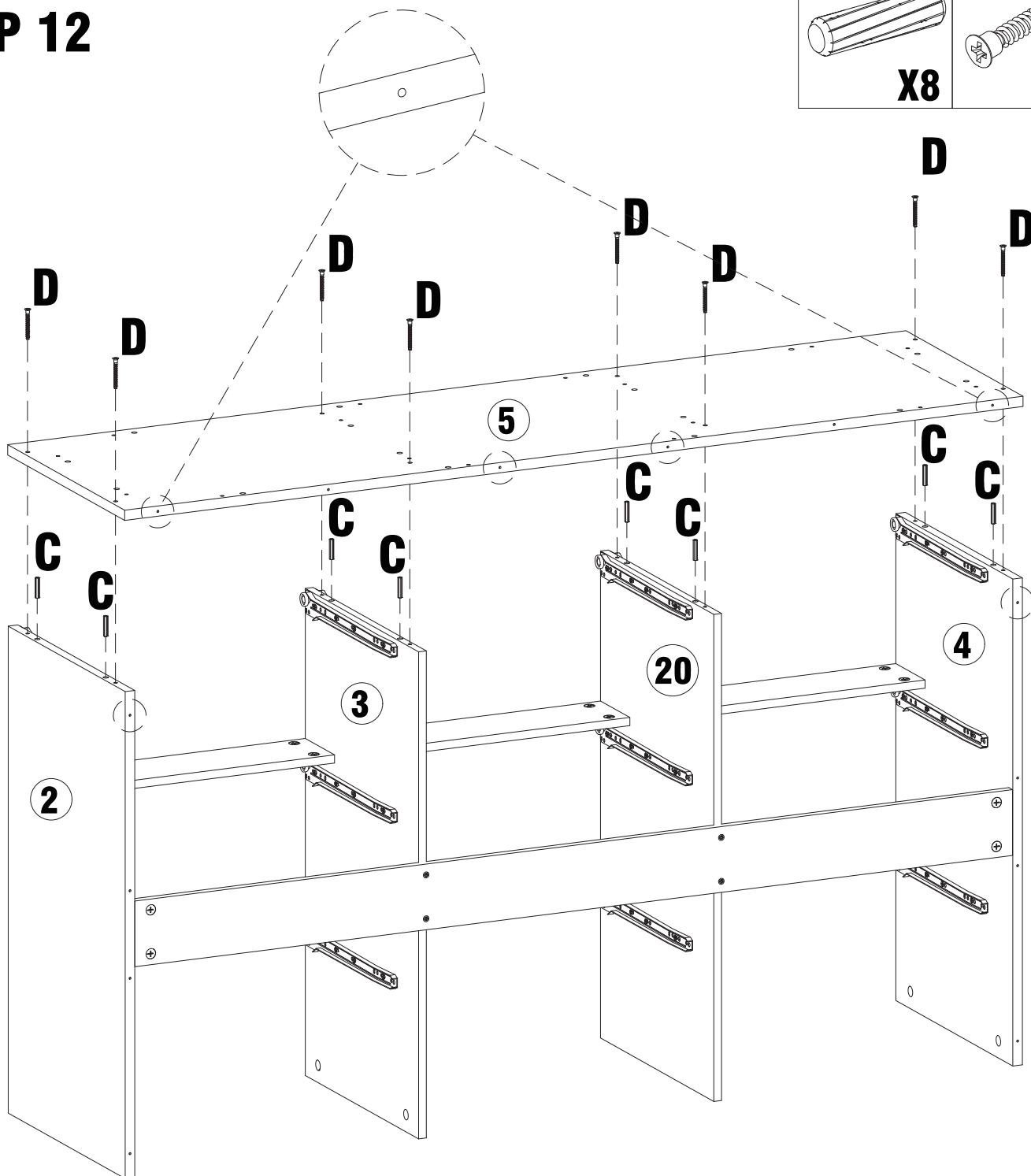
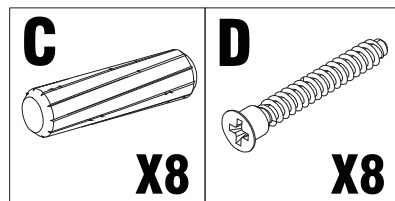




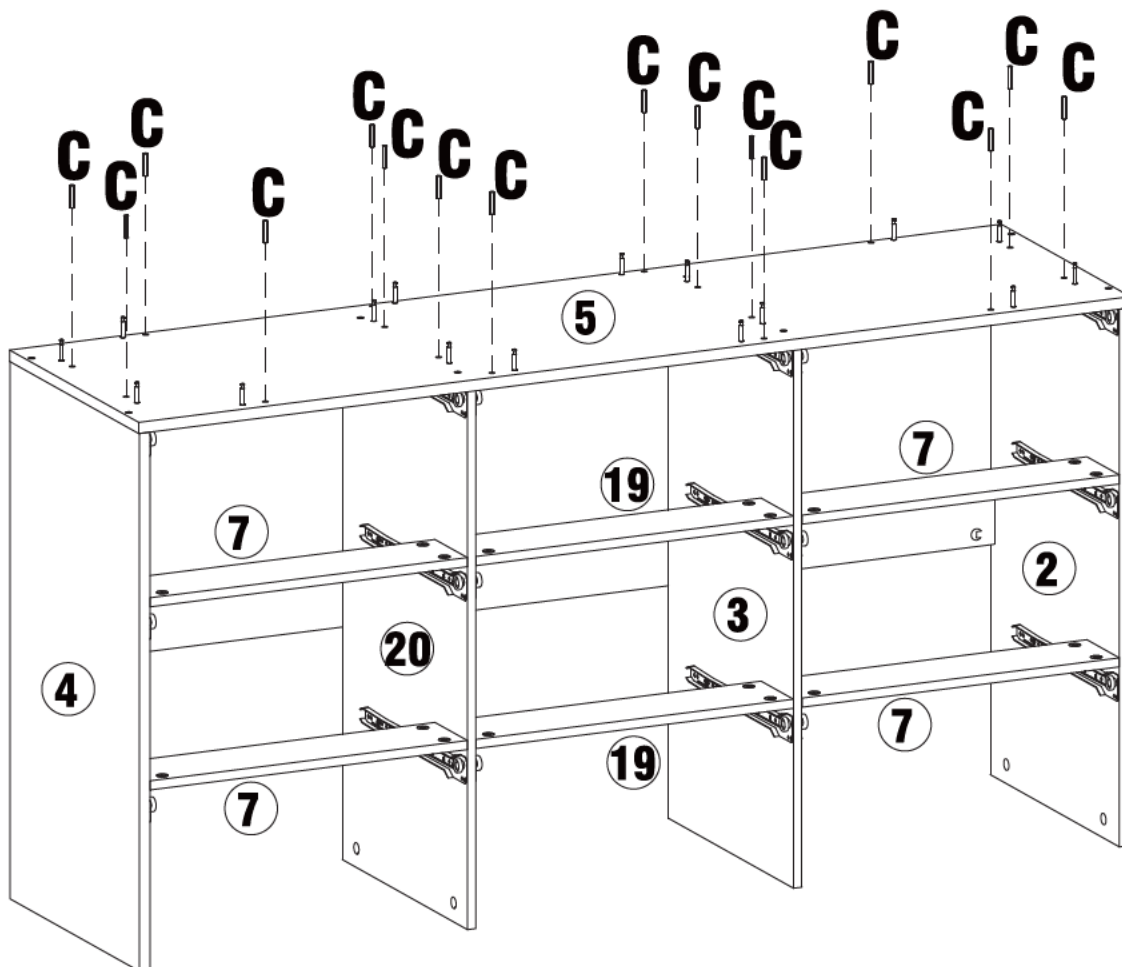
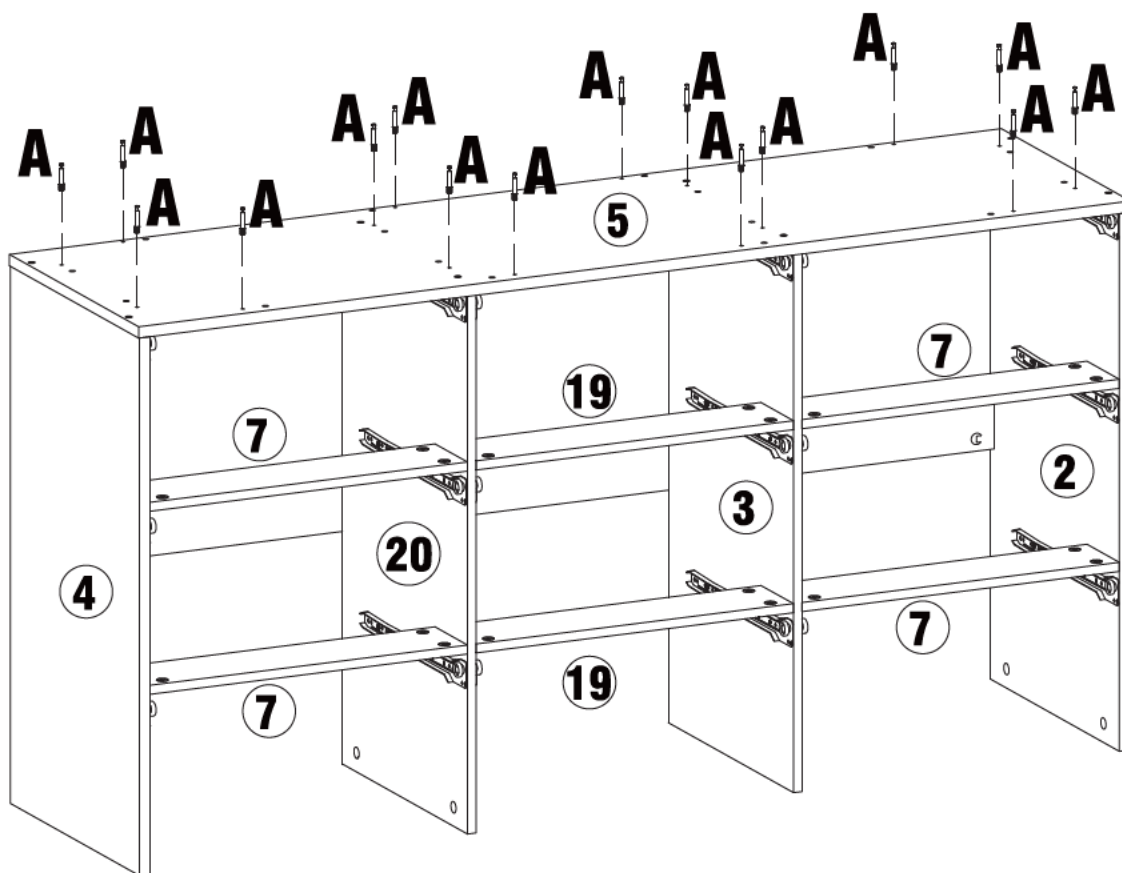
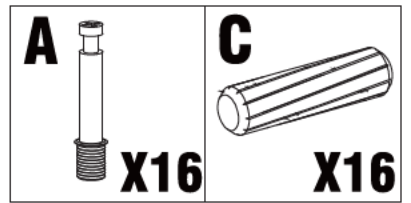
# STEP 11



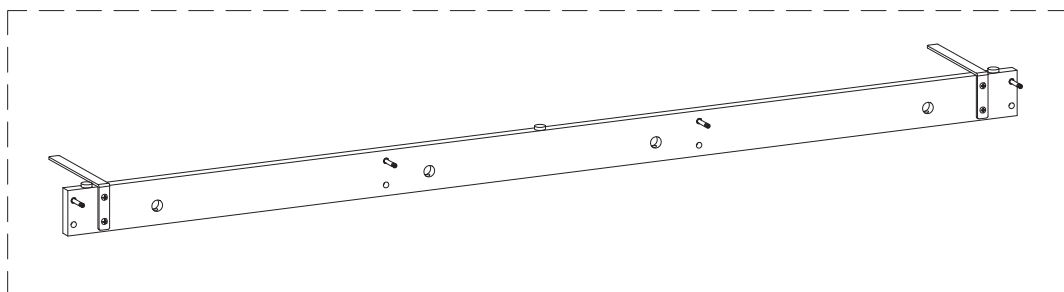
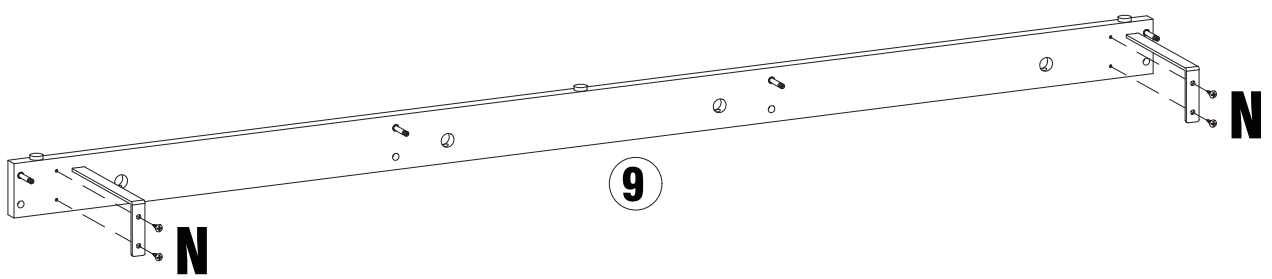
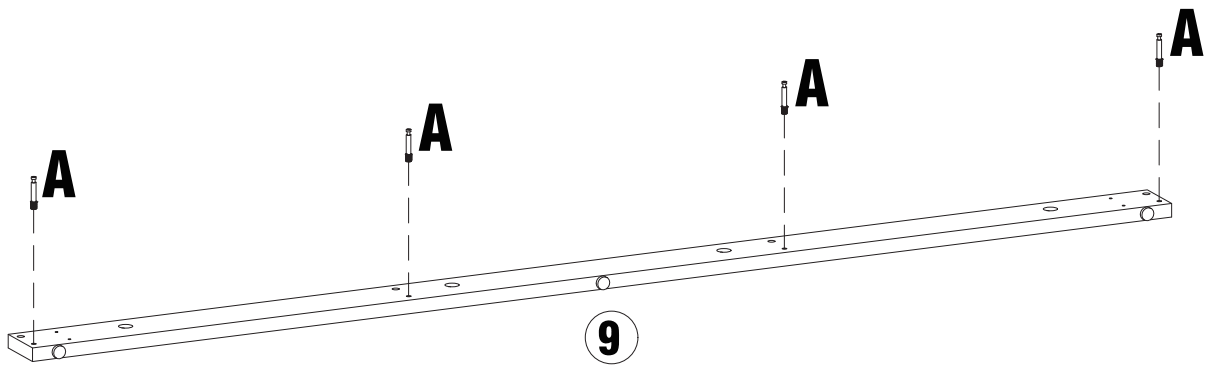
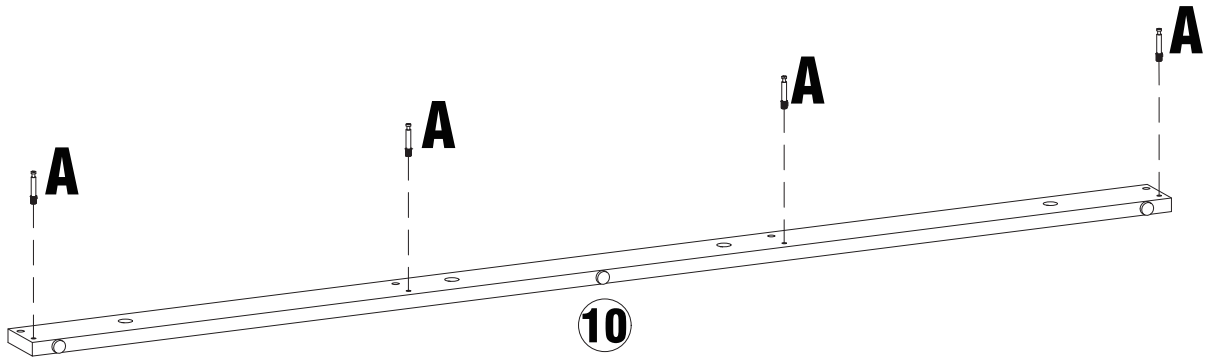
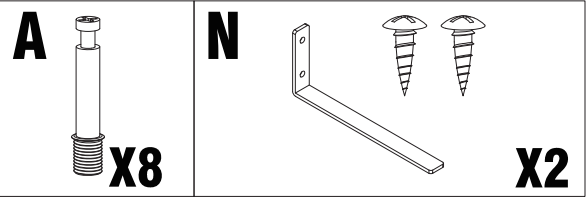
# STEP 12



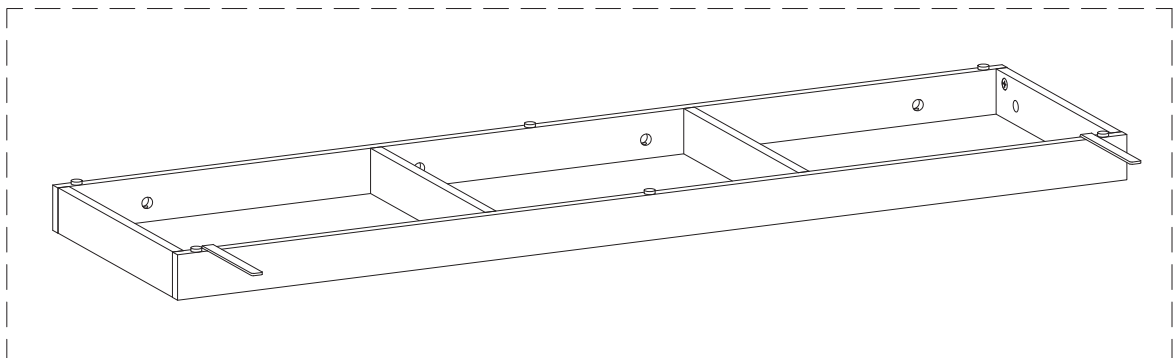
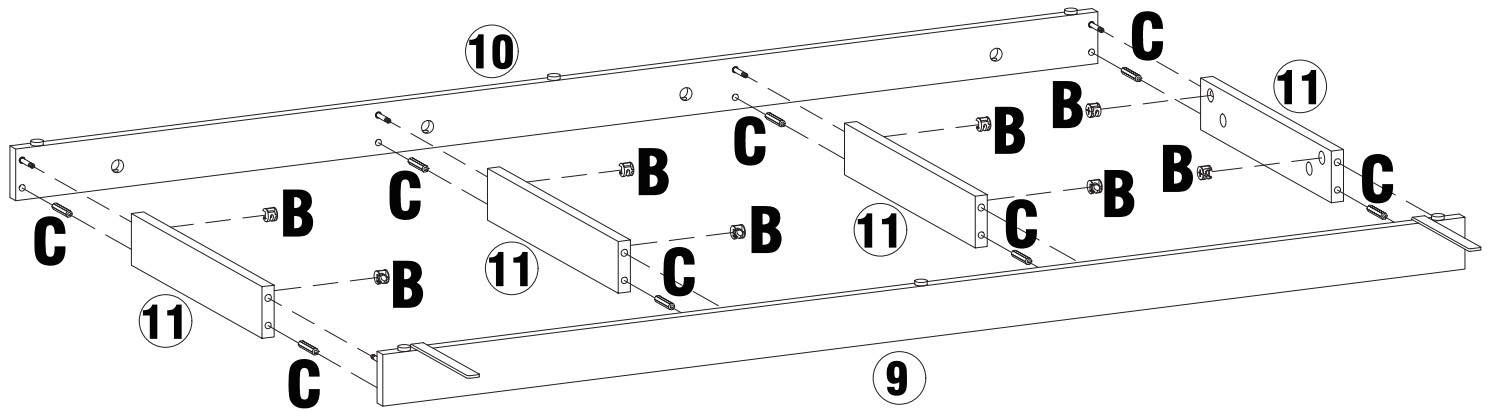
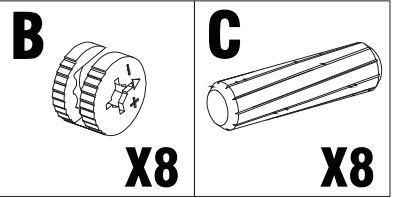
# STEP 13



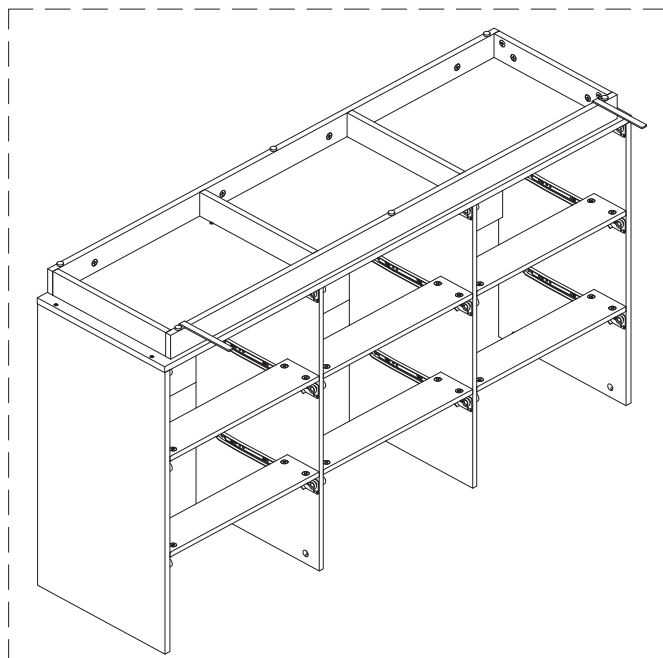
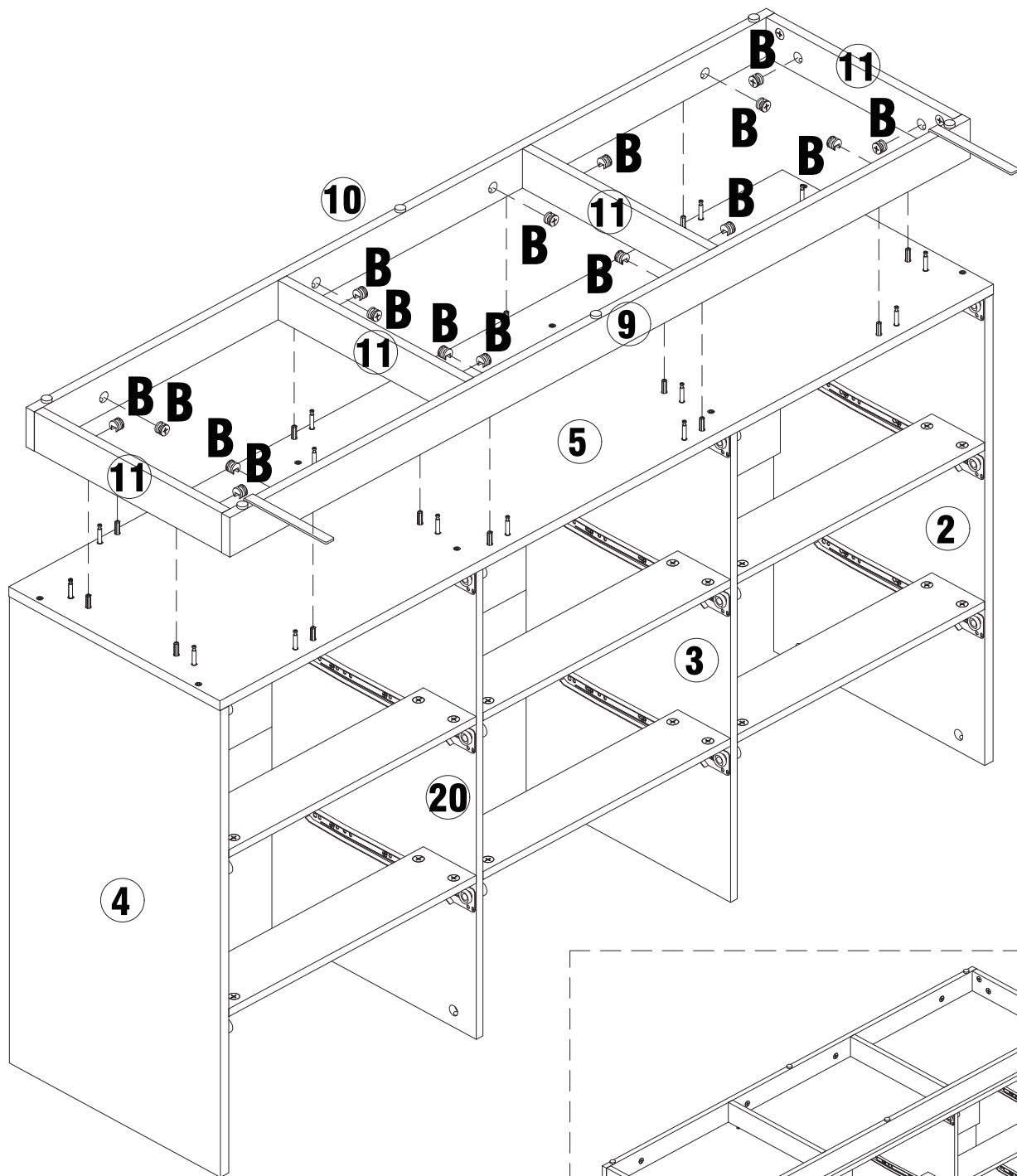
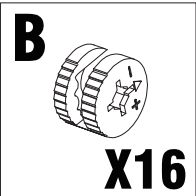
# STEP 14



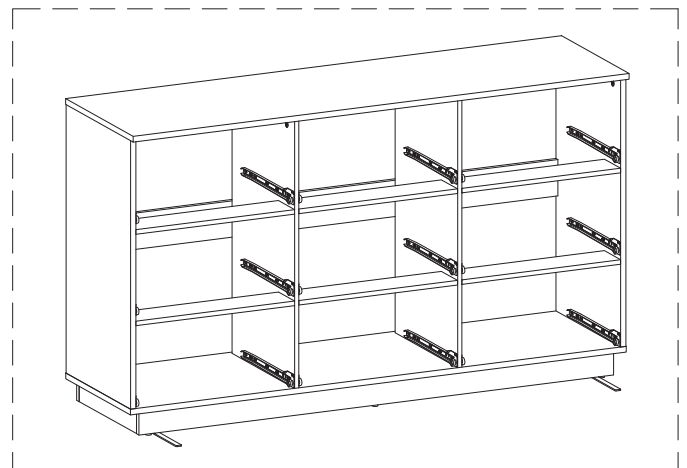
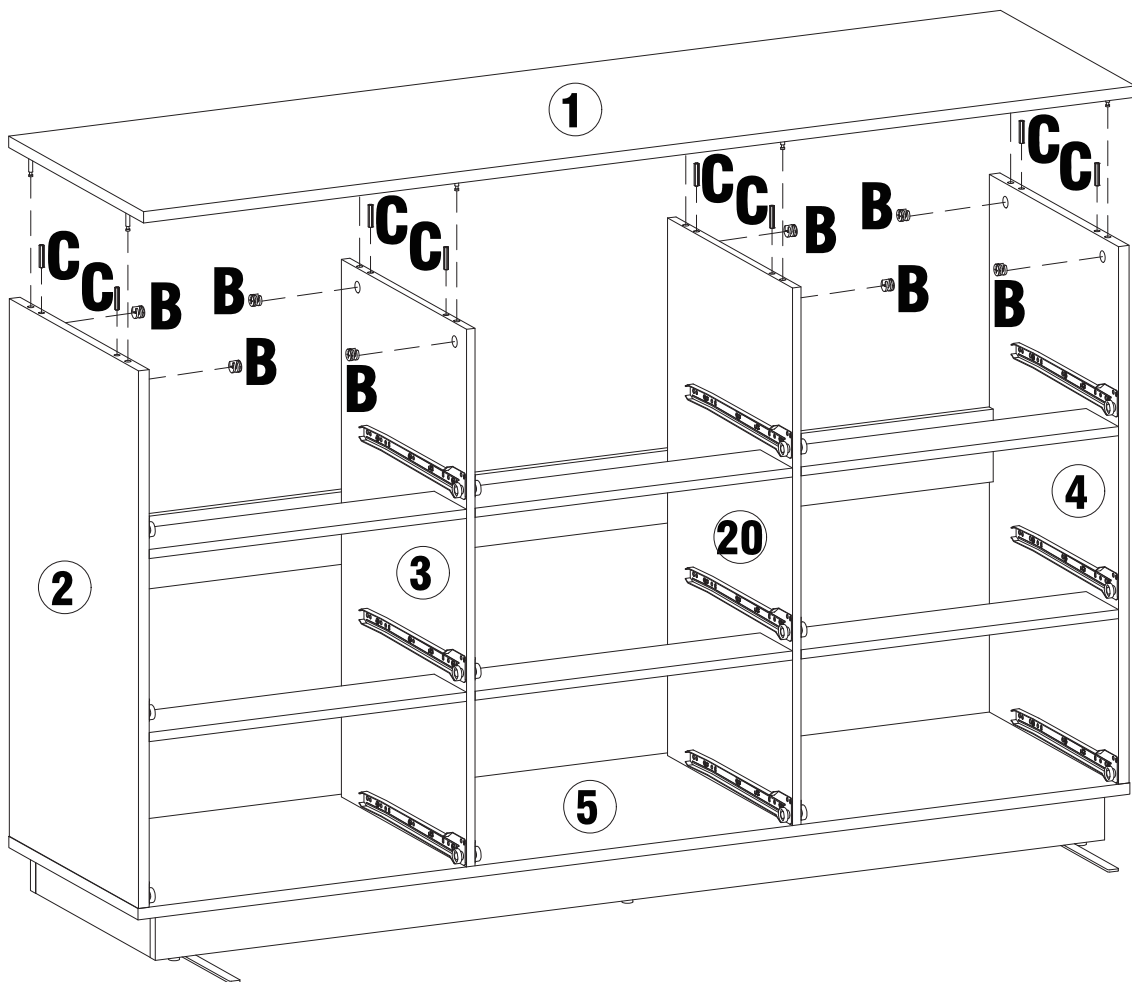
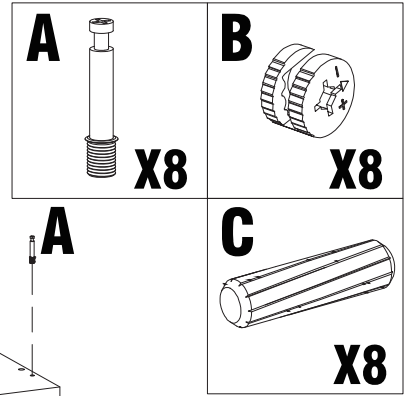
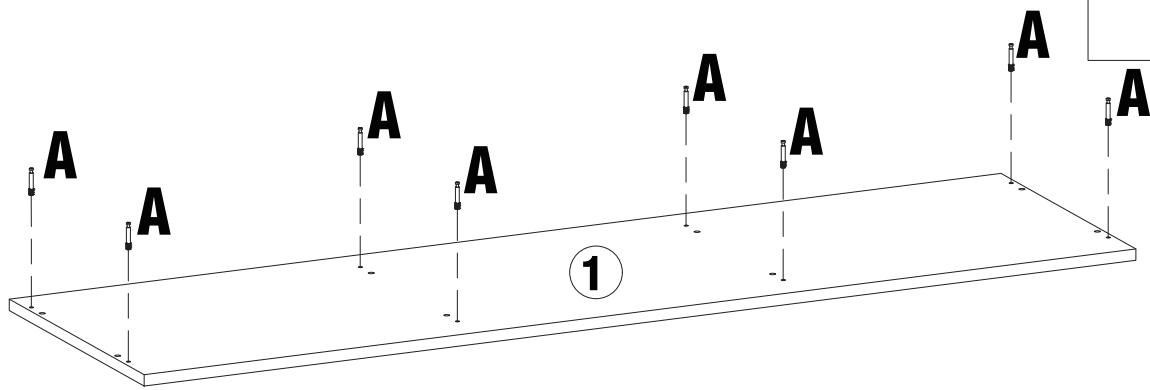
# STEP 15



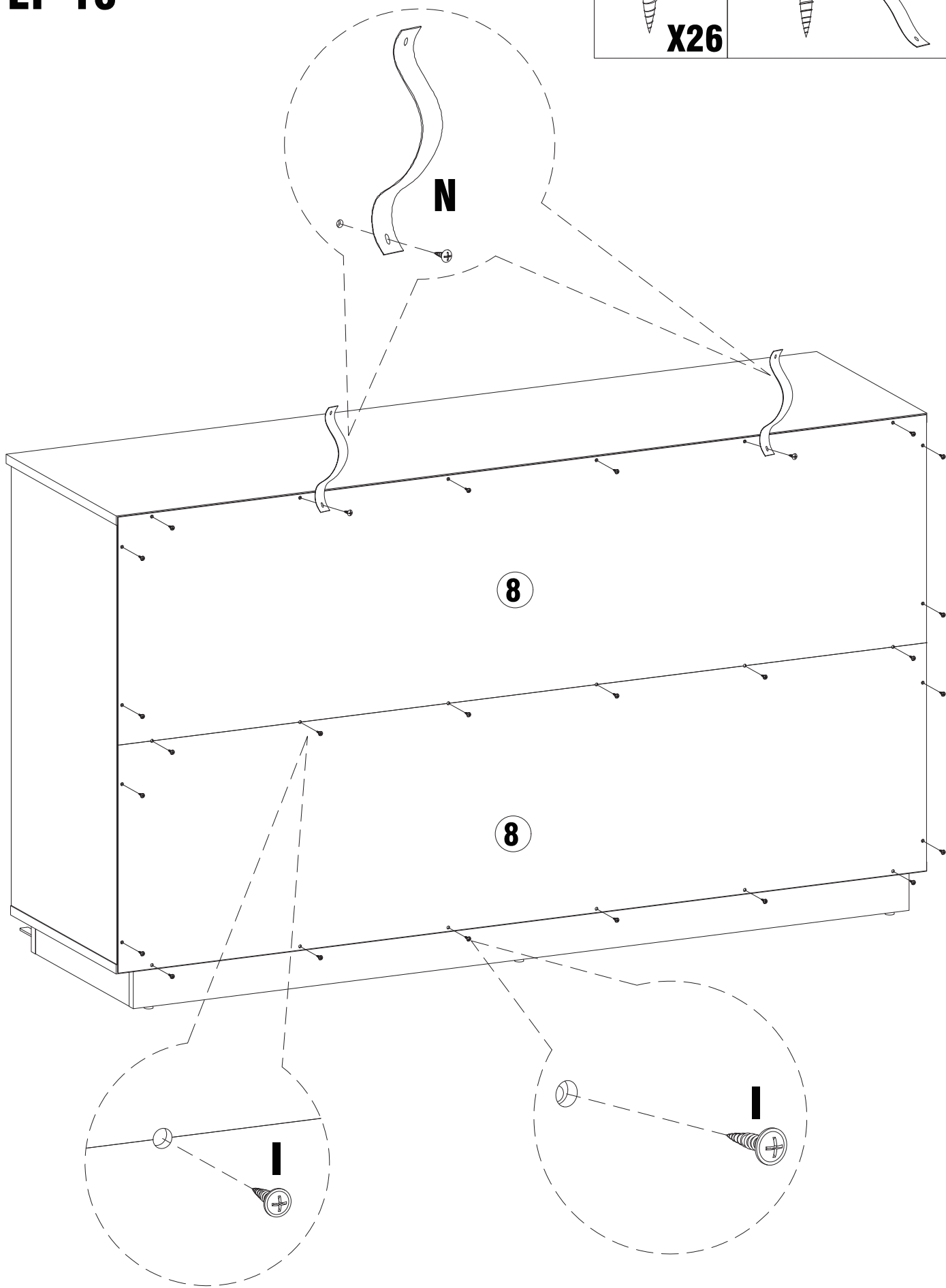
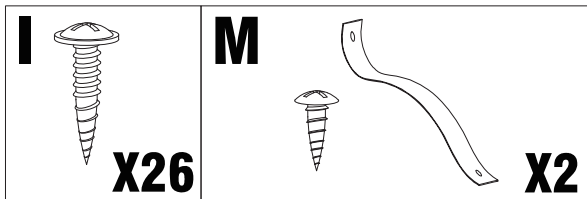
# STEP 16



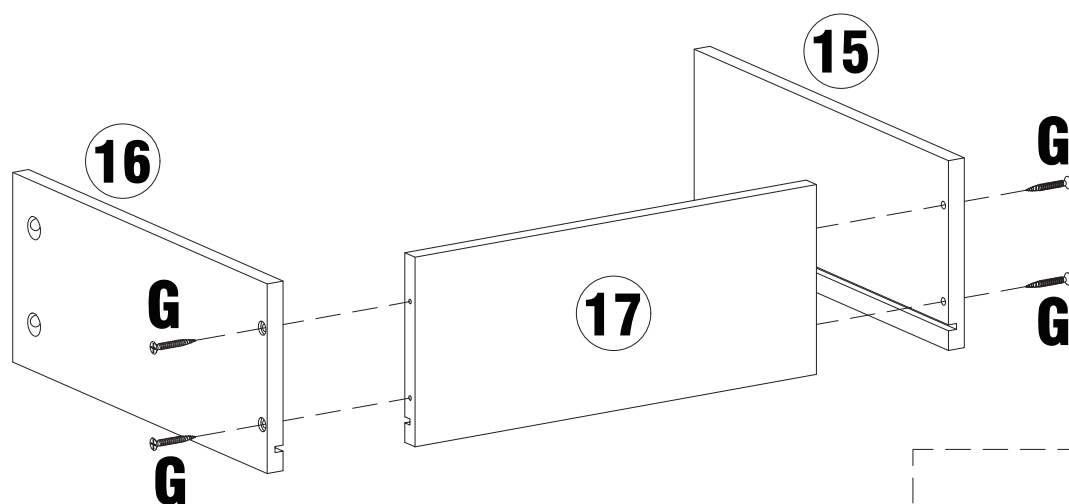
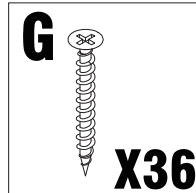
# STEP 17



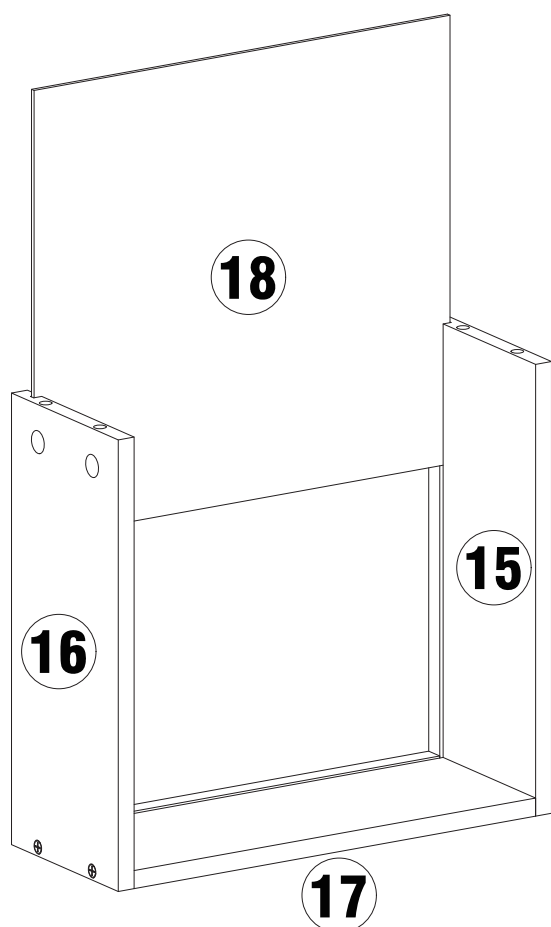
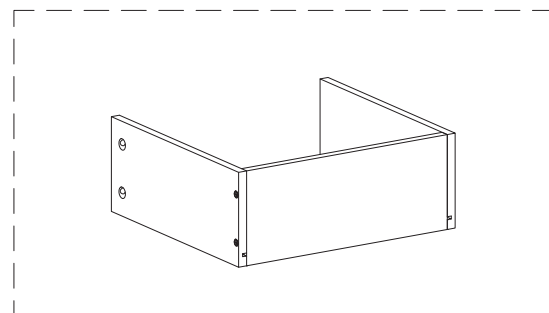
# STEP 18



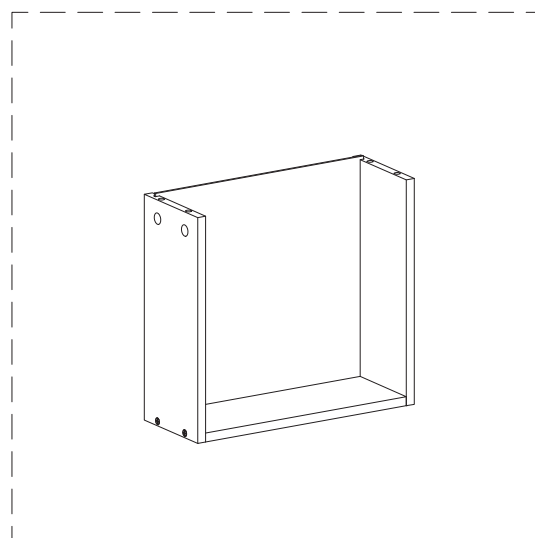
# STEP 19



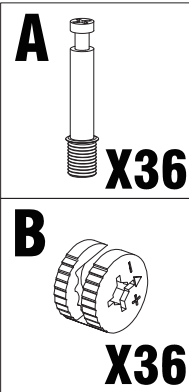
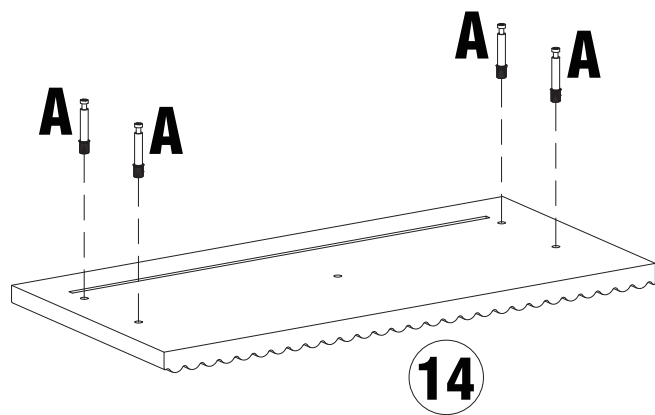
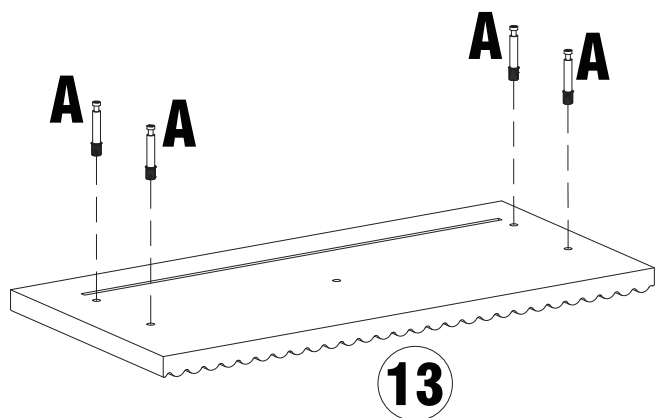
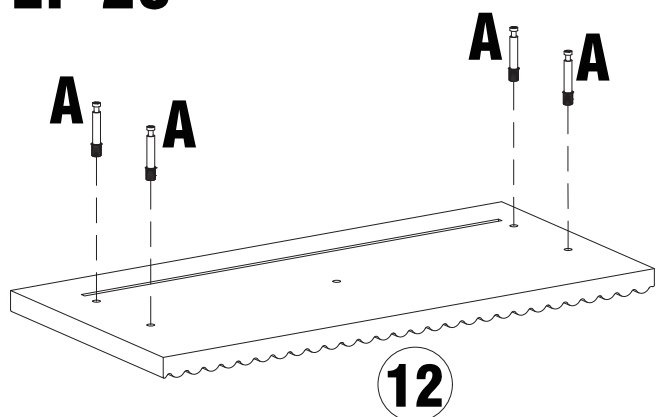
# X9



# X9

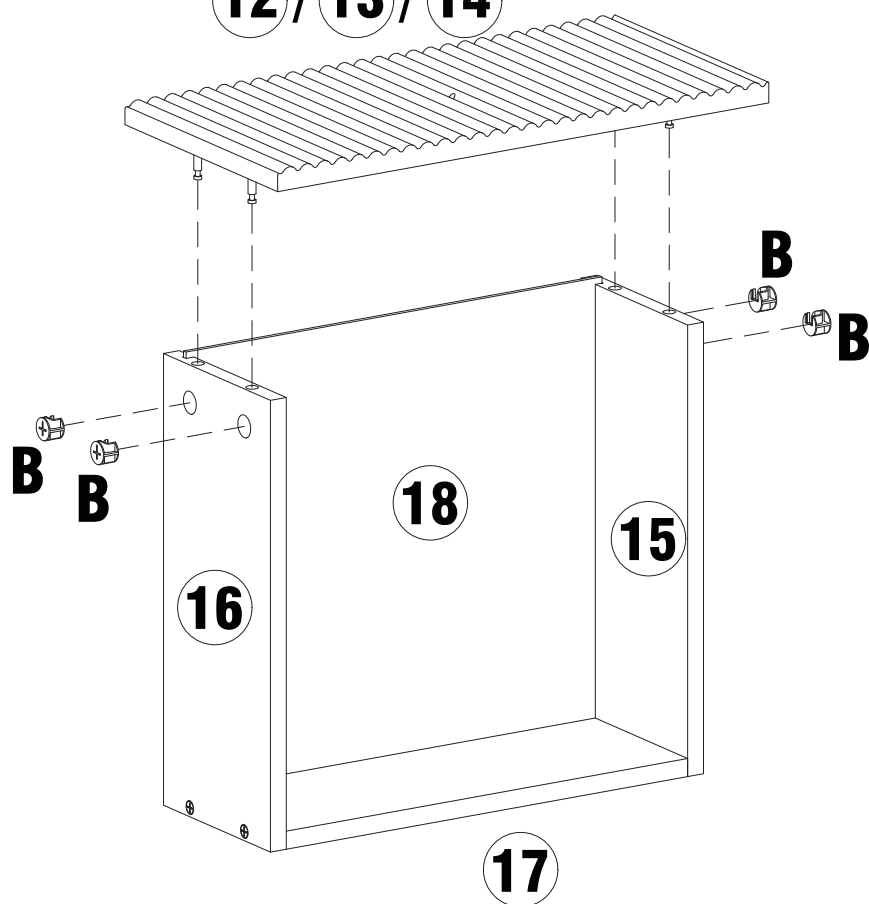


# STEP 20

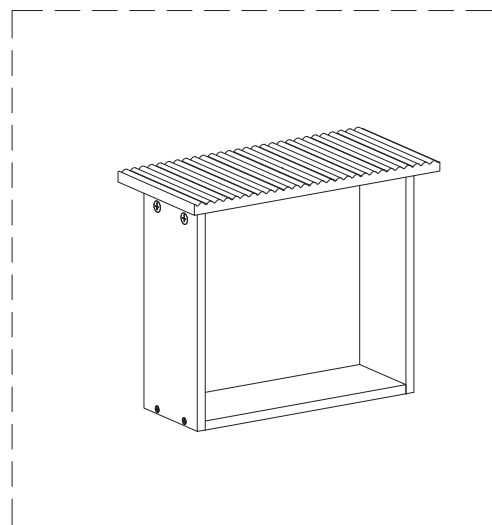


# X3

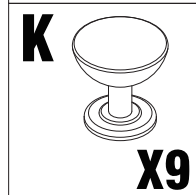
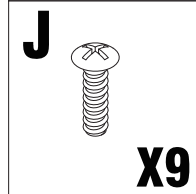
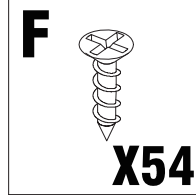
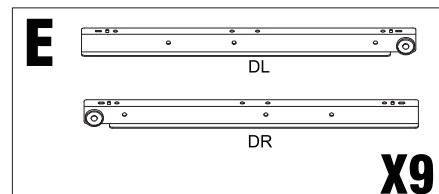
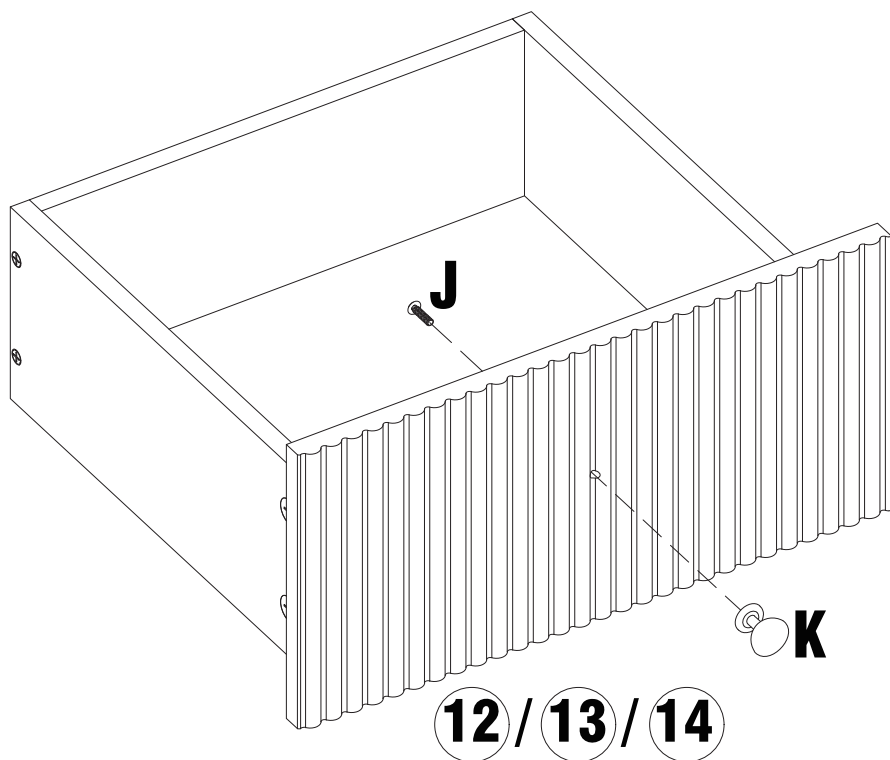
12 / 13 / 14



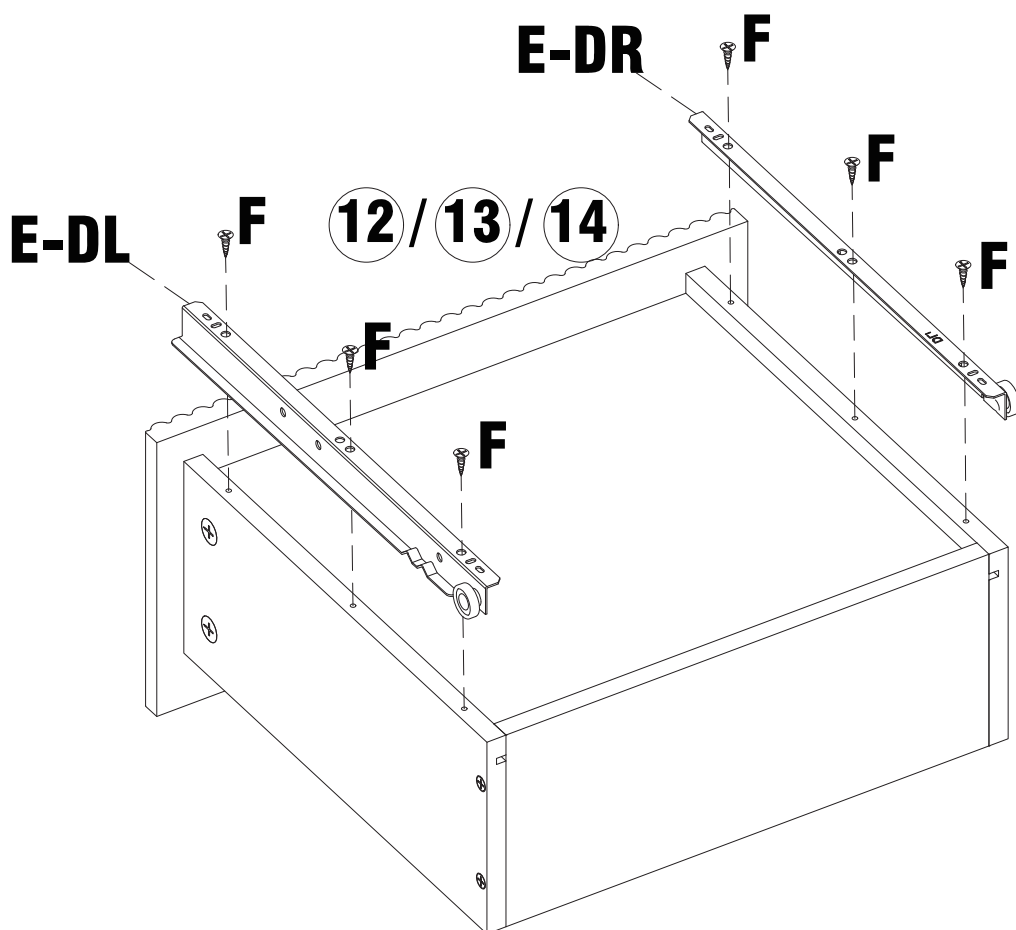
# X3



# STEP 21

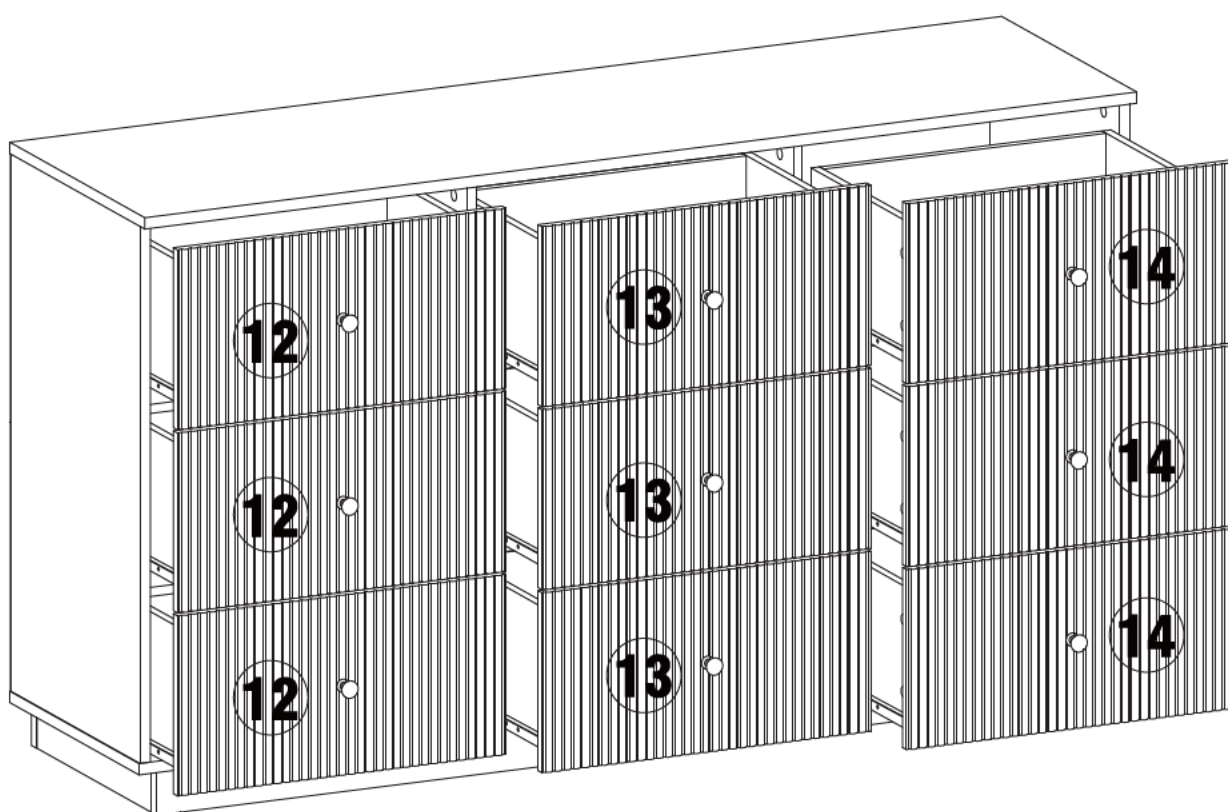
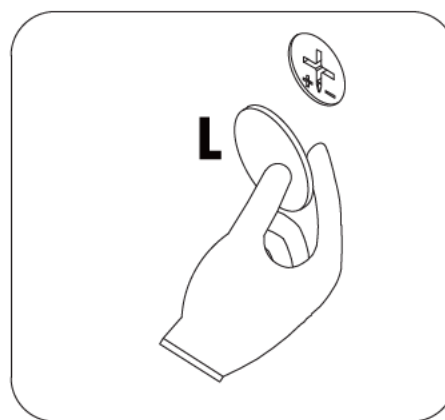
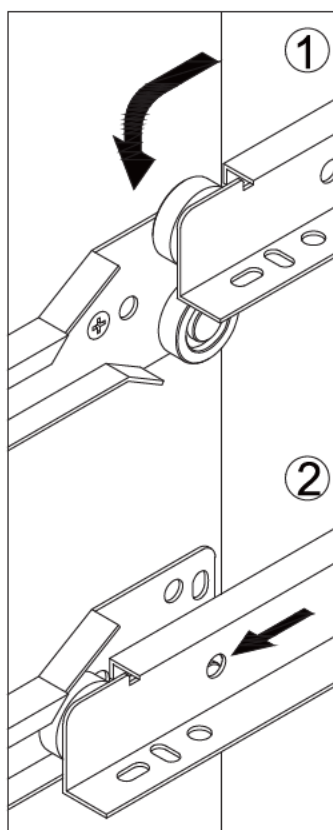
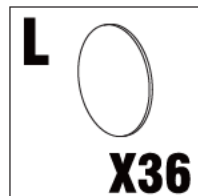


# X3

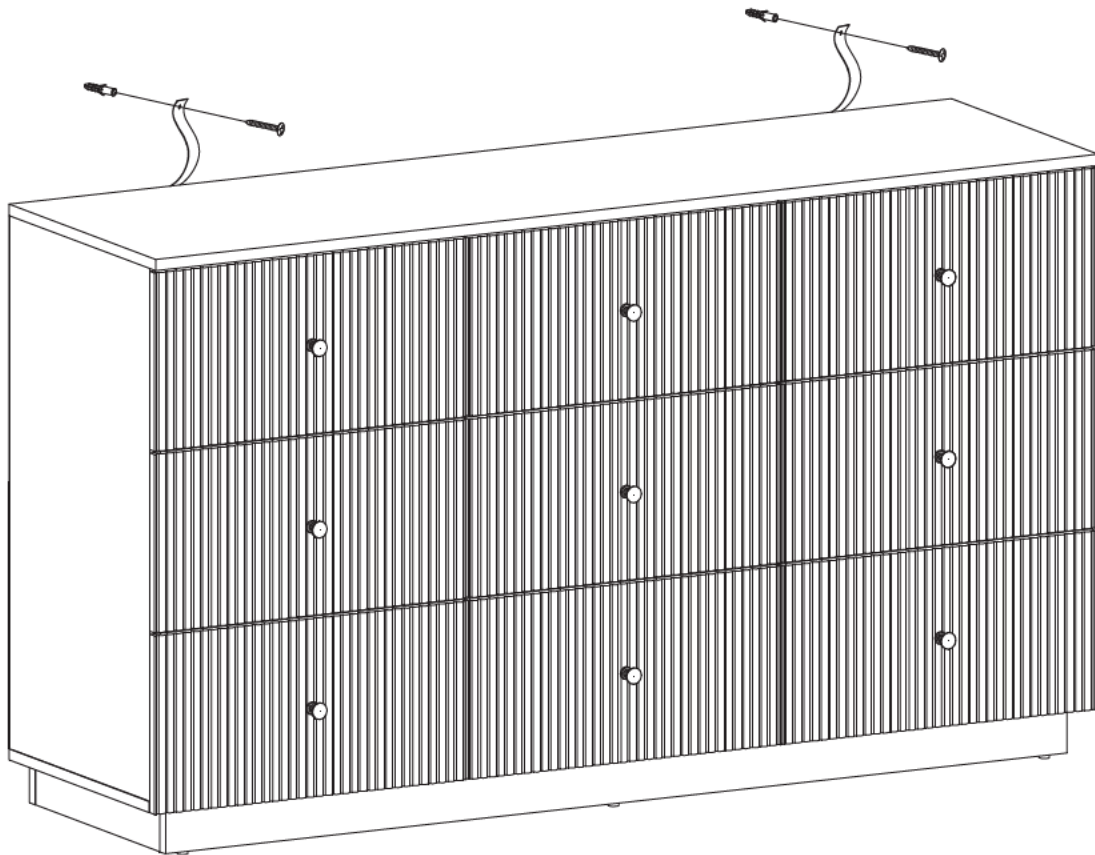
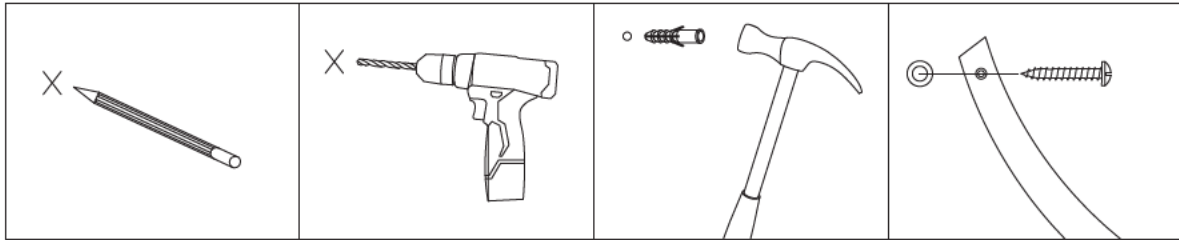
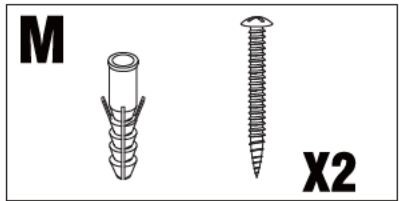


# X3

# STEP 22



# STEP 23



**⚠ WARNING**

**Children have died from furniture tipover. To reduce the risk of furniture tipover:**

- ALWAYS install anti-tip device provided.
- NEVER put a TV on this product.
- NEVER allow children to stand, climb or hang on any drawers, doors, or shelves.
- NEVER open more than one drawer at a time.
- Place heaviest items in the lowest drawers.

*this is a permanent label.  
Do not remove!*