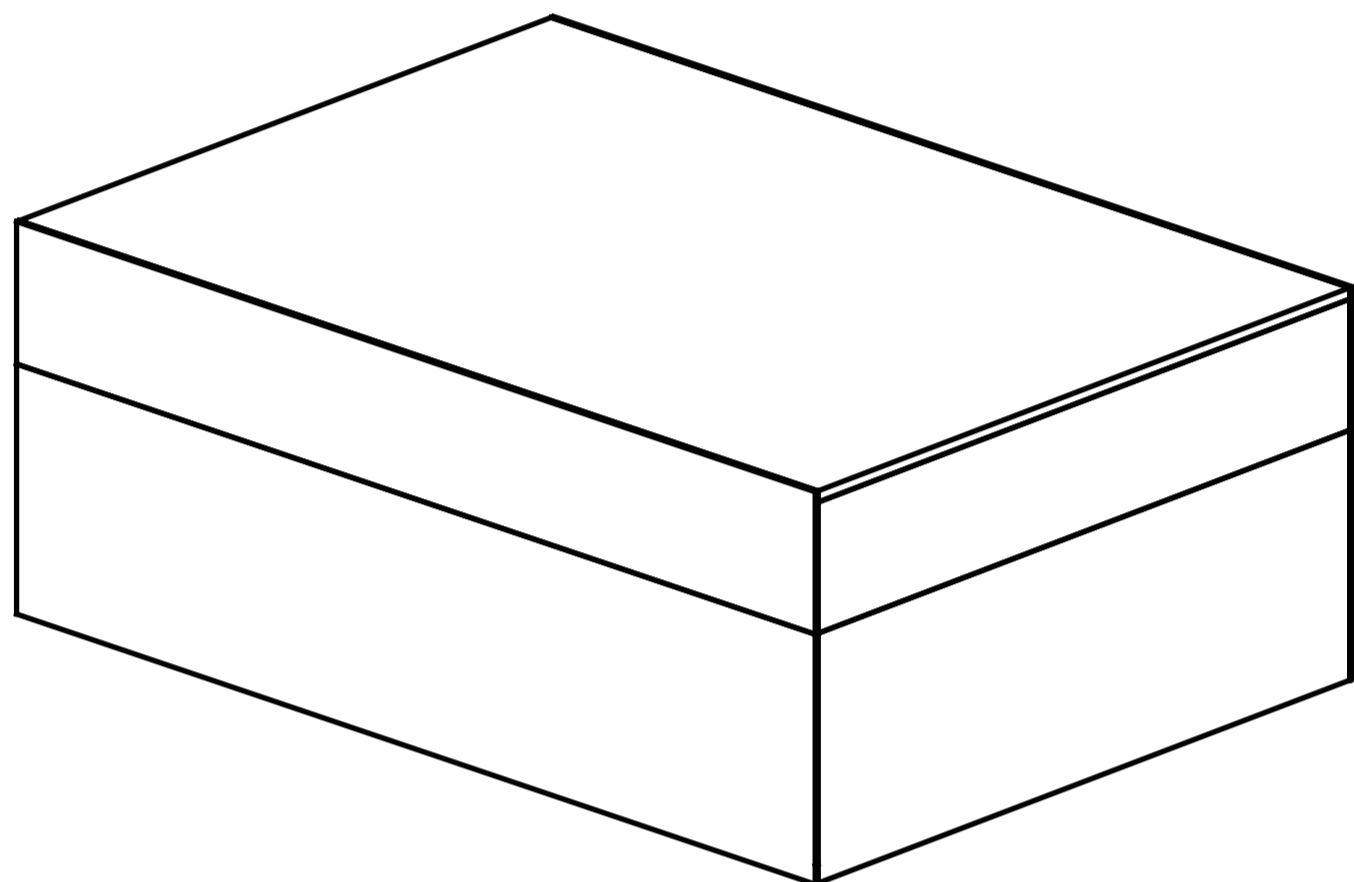
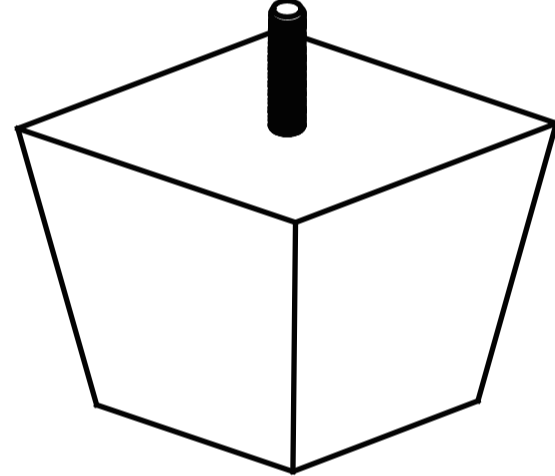


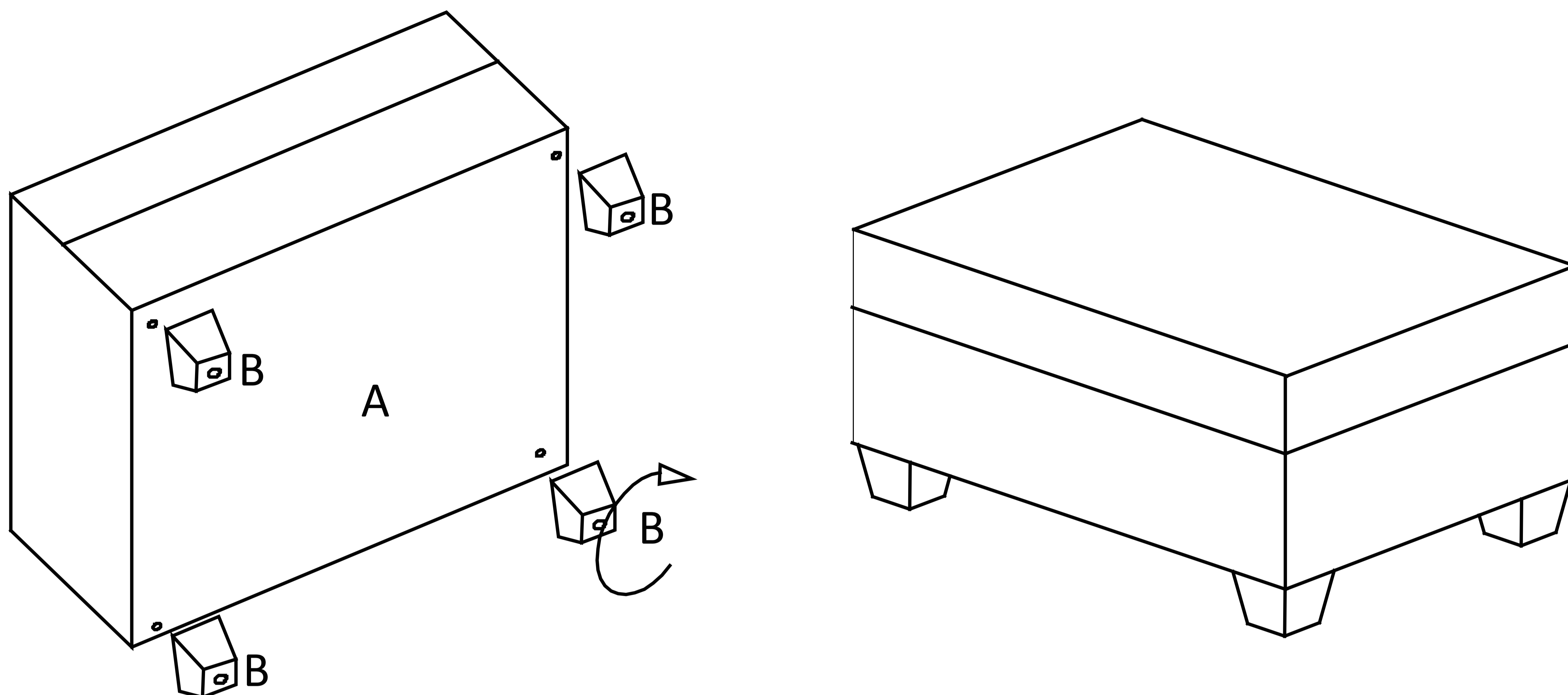
ASSEMBLY INSTRUCTION STORAGE OTTOMAN

NOTE: Do not use power tools for assembly. Power tools increase the risk of over tightening which lead to splitting or cracking the wood.

COMPONENT LIST

NO.	DRAWING	QTY	DESCRIPTION
A		1	OTTOMAN
B		4	PLASTIC LEG 100*100*80MM

STEP 1: The legs are stored in the ottoman, please take out for assembly.



CARE INSTRUCTION FOR 100% POLYESTER FURNITURE:

In order to maintain the original appearance of your 100% polyester furniture, please follow below care procedures:

- Avoid exposing furniture directly to sunlight or heating and air conditioning outlets. Sunlight and/or exposure to heating and air conditioning outlets will fade / damage fabric
- Do not place your upholstered furniture too close to windows, radiators, or vents, and be sure to use window treatments to block the sun's rays.
- Vacuum or wipe with a soft cloth regularly to remove dust.



For item used on wooden floor, hard surfaces or carpets, it is recommended to install protective pads under all legs and supports to avoid / prevent from damages / scratches and discoloration.