

## ASSEMBLY INSTRUCTIONS

---

# DECK BOX

SKU: T-PSB24-0664

Patiowell,  
Store  
Your  
Patio Well

[www.patiowell.com](http://www.patiowell.com)



 Patiowell

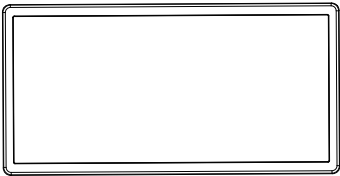
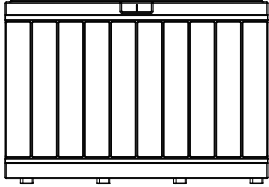
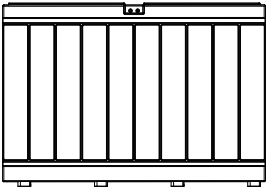
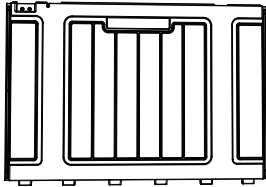
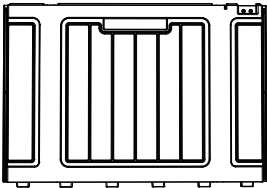
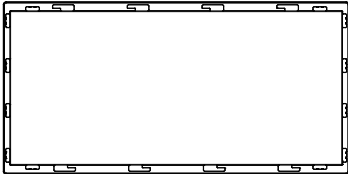
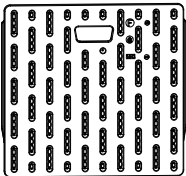
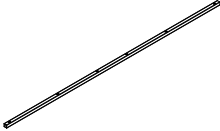
Deck Box  
Installation Tutorial

[https://www.patiowell.com/  
pages/video-T-PSB24-0664](https://www.patiowell.com/pages/video-T-PSB24-0664)

 [saleservice@patiowell.com](mailto:saleservice@patiowell.com)


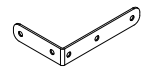
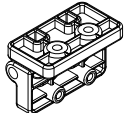

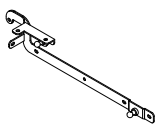
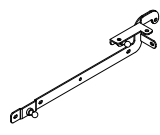
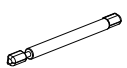
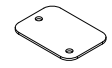
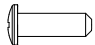
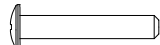
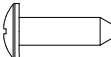
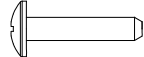
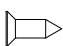
# Parts

Check and make sure you get the components on the list, contact us for any missing.

E		X1	B		X1
C		X1	DL		X1
DR		X1	A		X1
F		X1	E-1		X1

# Parts

Check and make sure you get the components on the list, contact us for any missing.

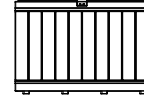
B3		X2	D-1		X2
H		X3	C3		X3
D1		X1	D2		X1
D3		X2	G-1		X2
S1	 M5*16	X24	S2	 M5*30	X7
S3	 M6*20	X13	S4	 M6*25	X9
S5	 M4*12	X13			

# Assembly steps

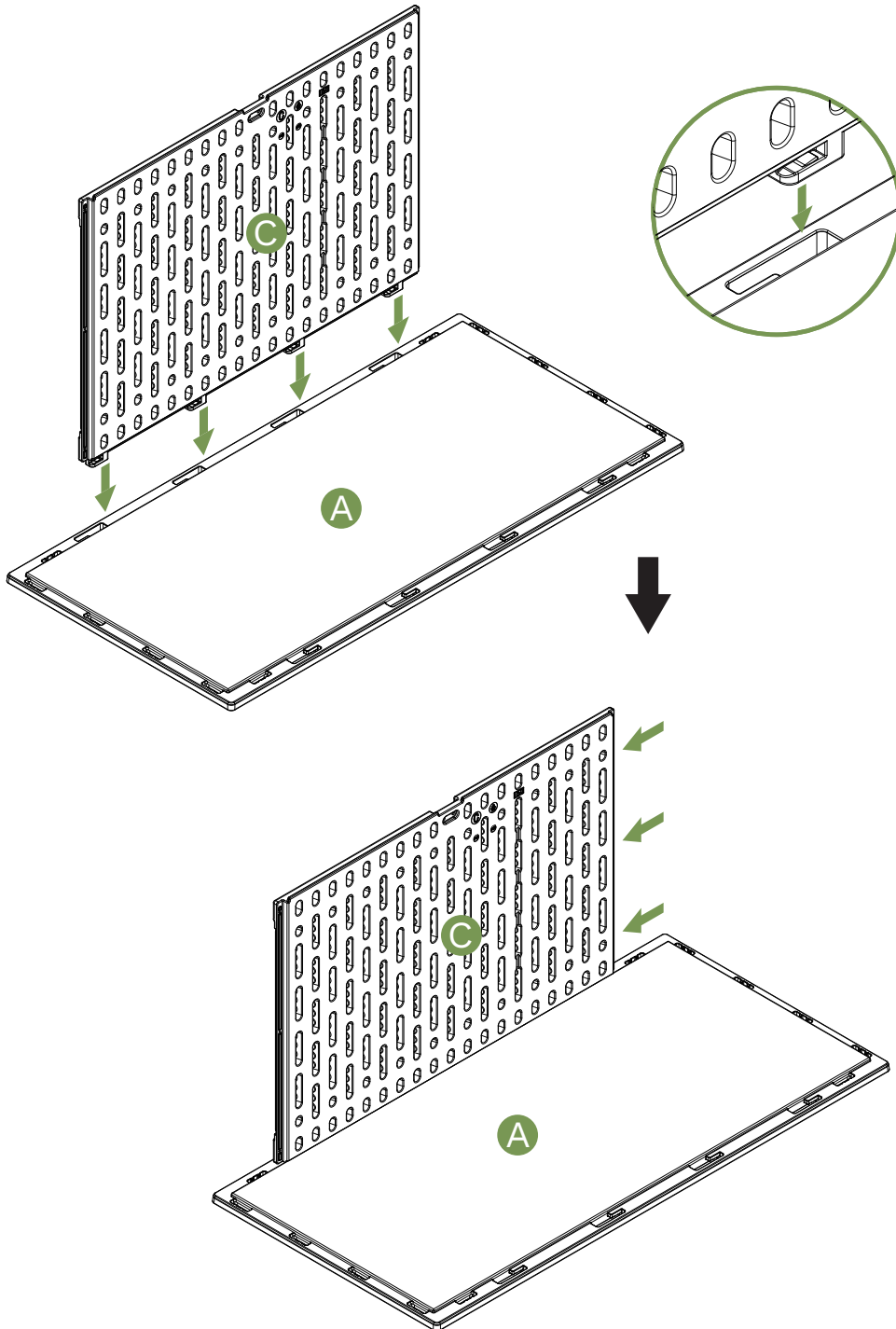
Step 1



A (X1)

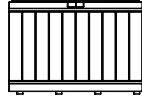


C (X1)

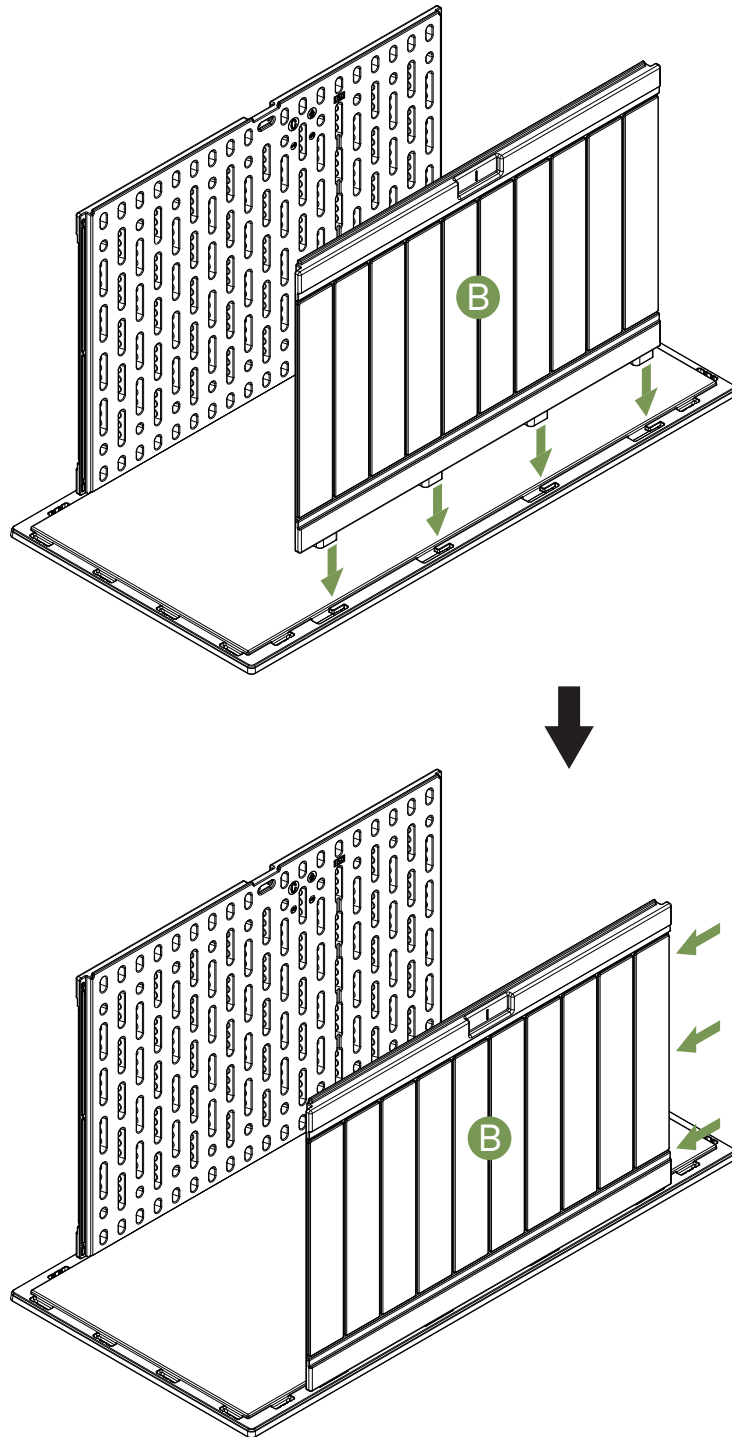


# Assembly steps

Step 2

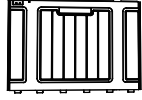


B (X1)

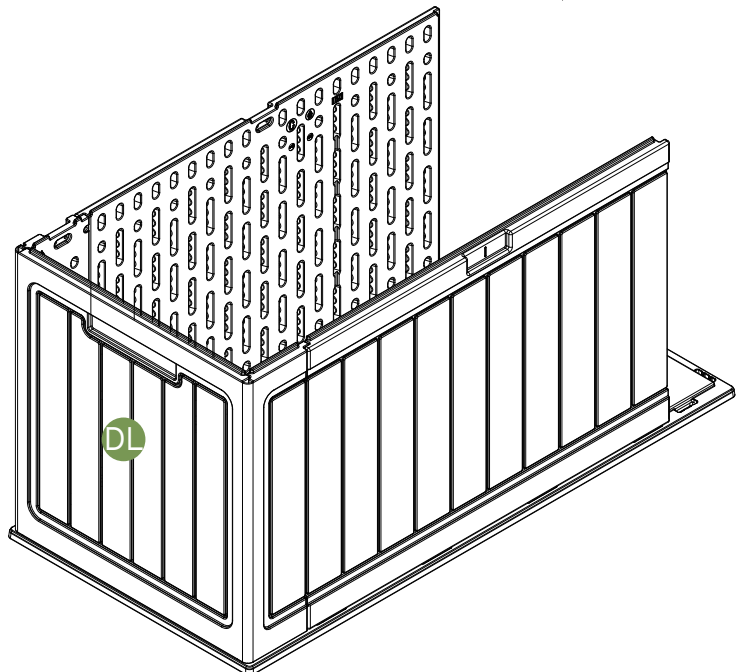
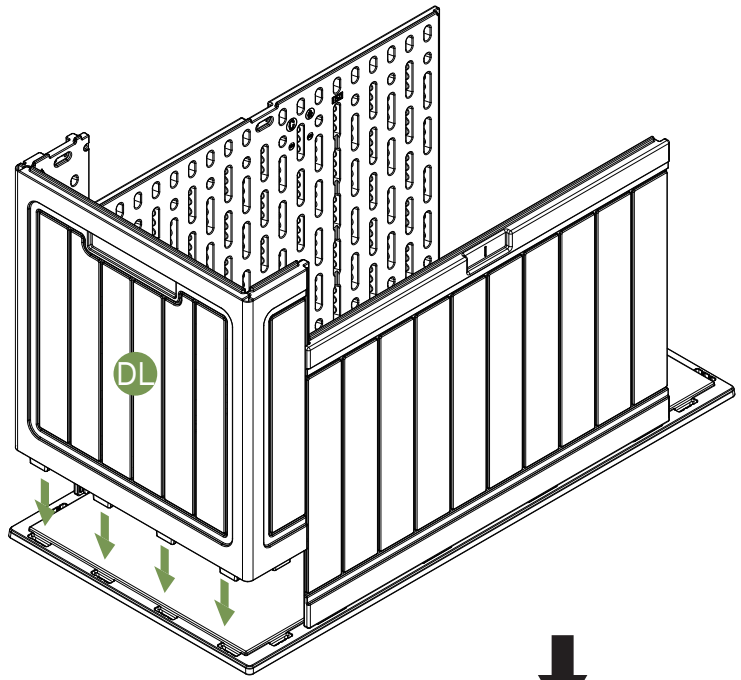
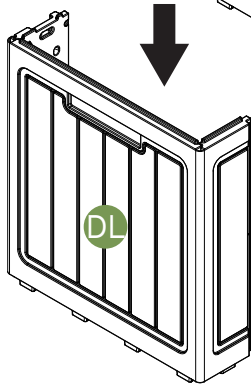


# Assembly steps

Step 3

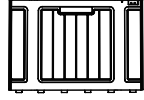


DL (X1)

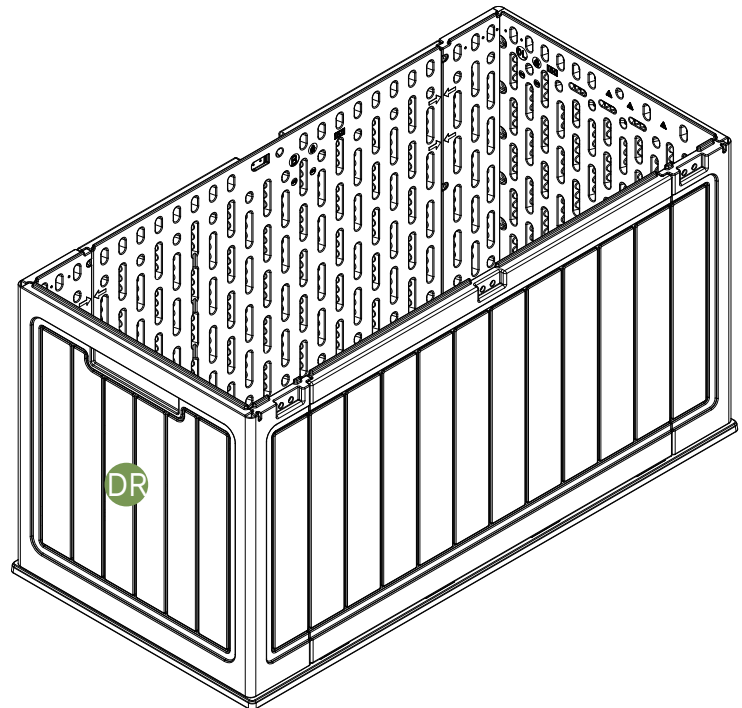
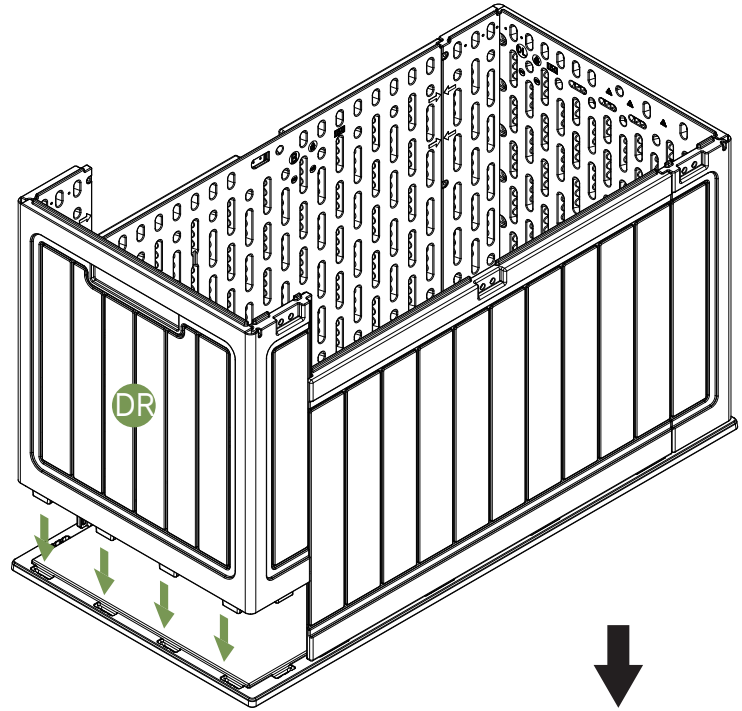
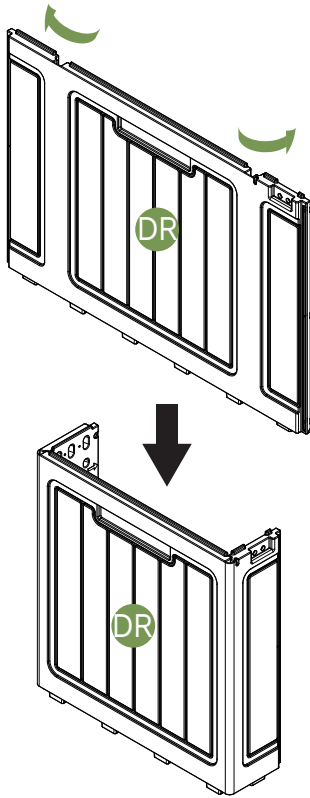


# Assembly steps

Step 4



DR (X1)

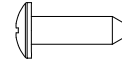


# Assembly steps

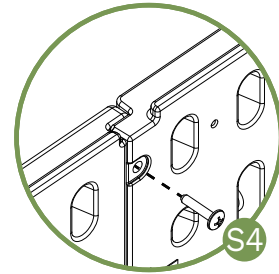
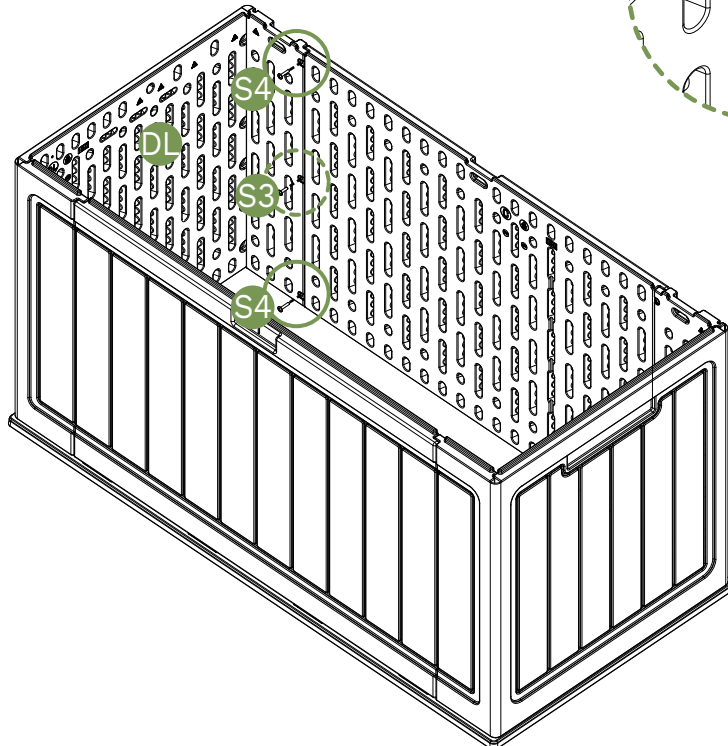
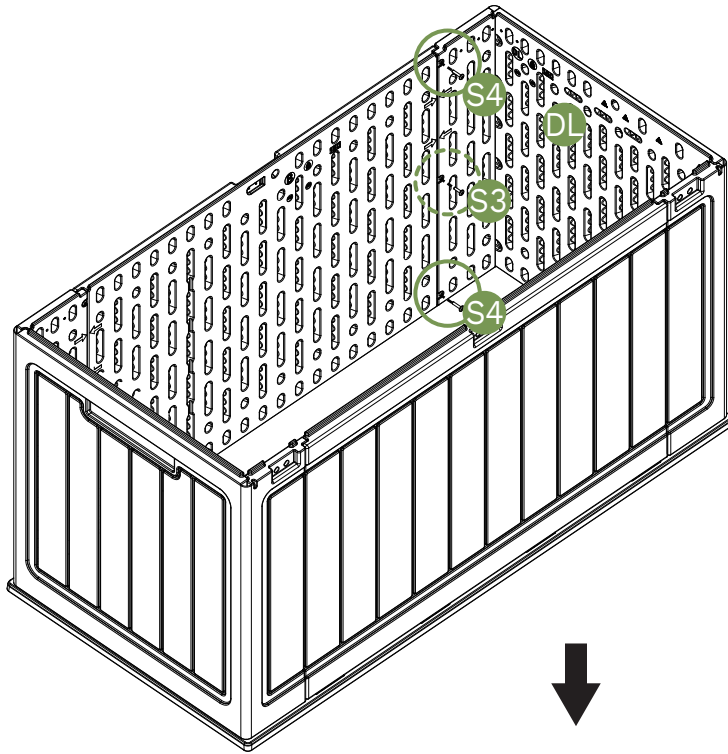
Step 5



S4 (X4)

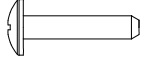


S3 (X2)

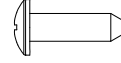


# Assembly steps

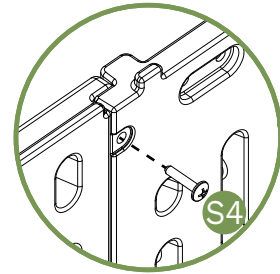
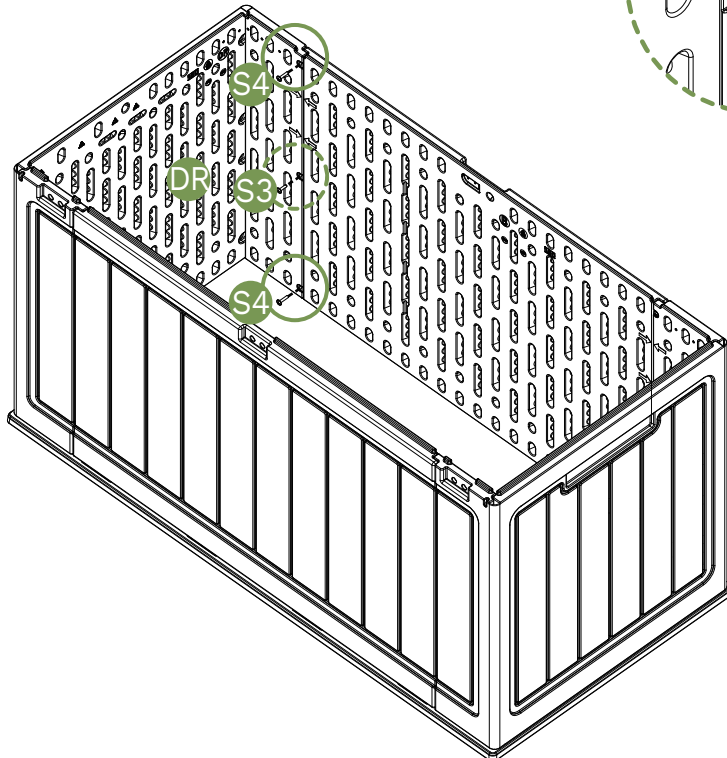
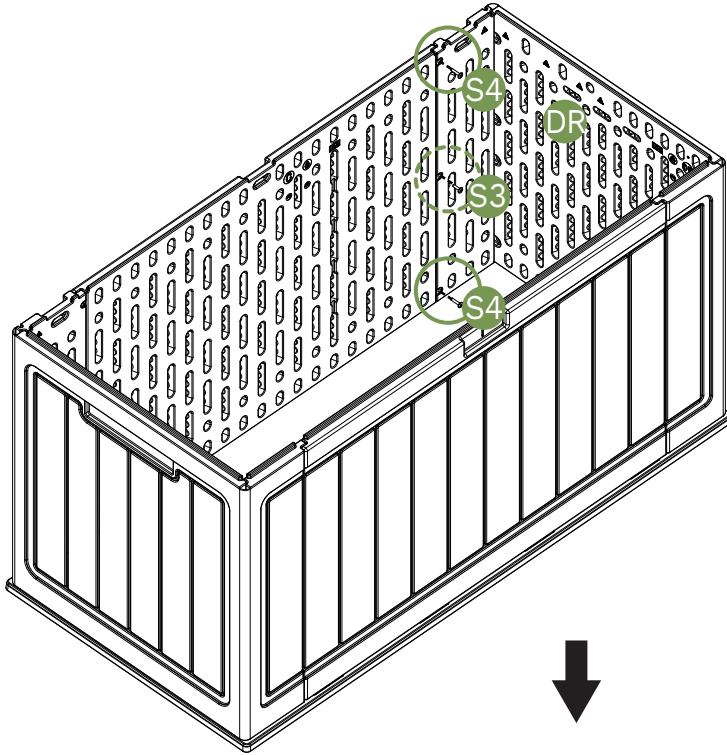
Step 6



S4 (X4)

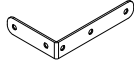


S3 (X2)



# Assembly steps

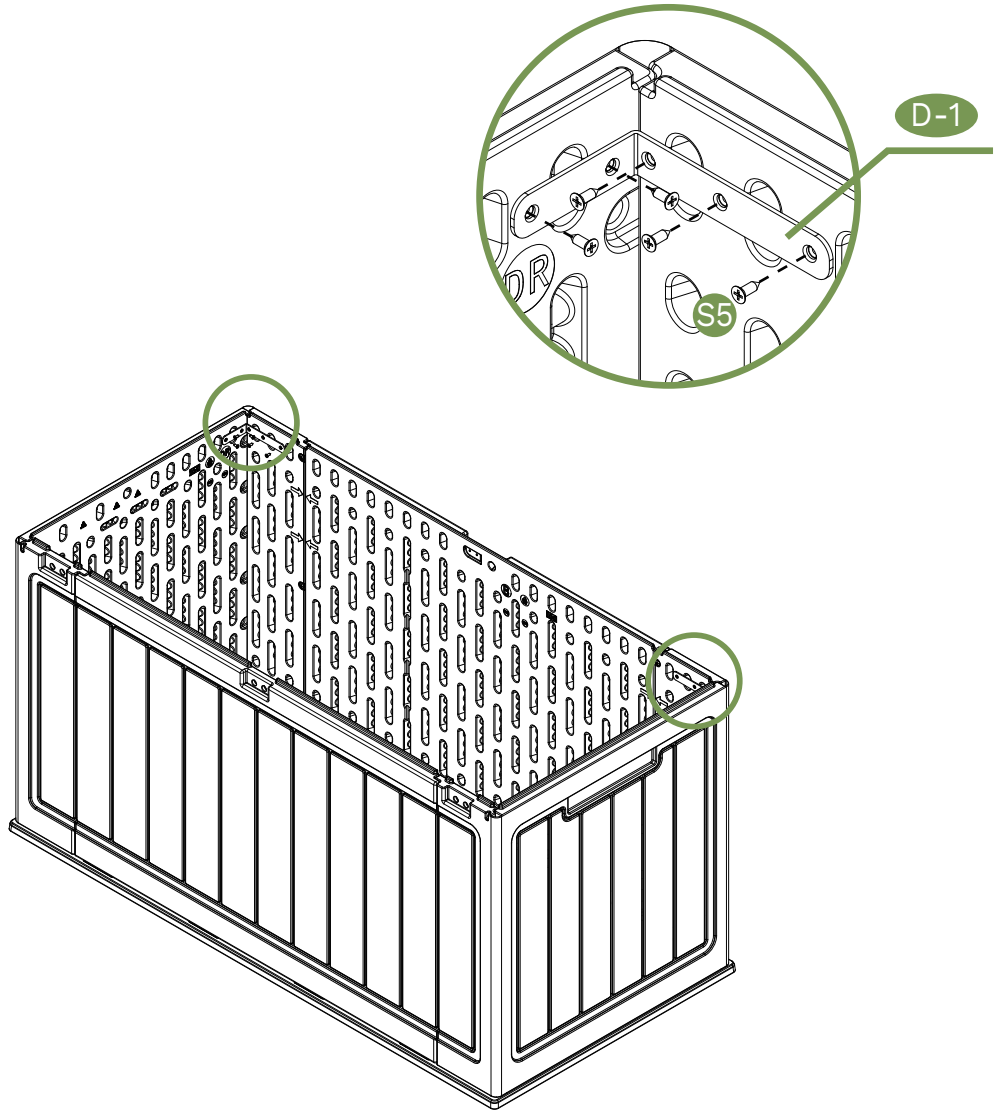
Step 7



D-1 (X2)



S5 (X10)



# Assembly steps

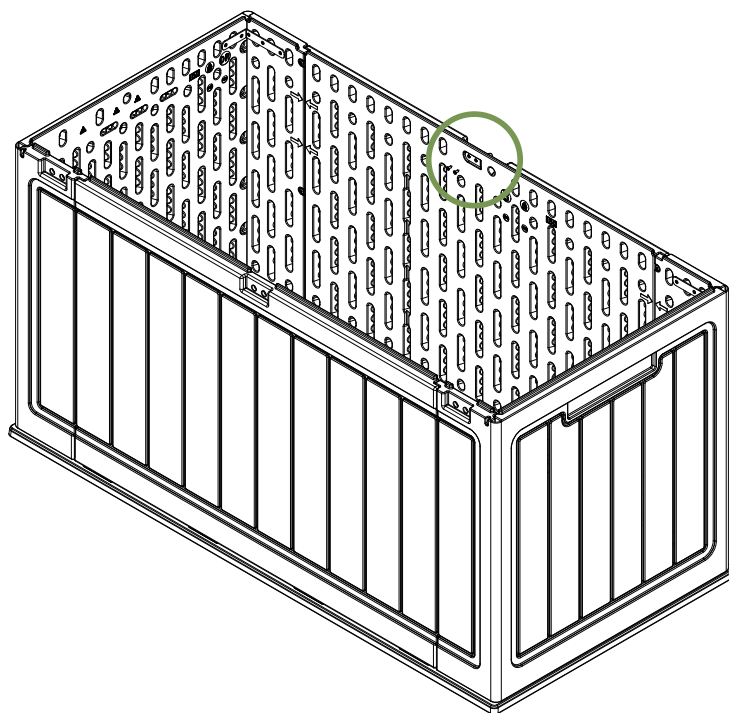
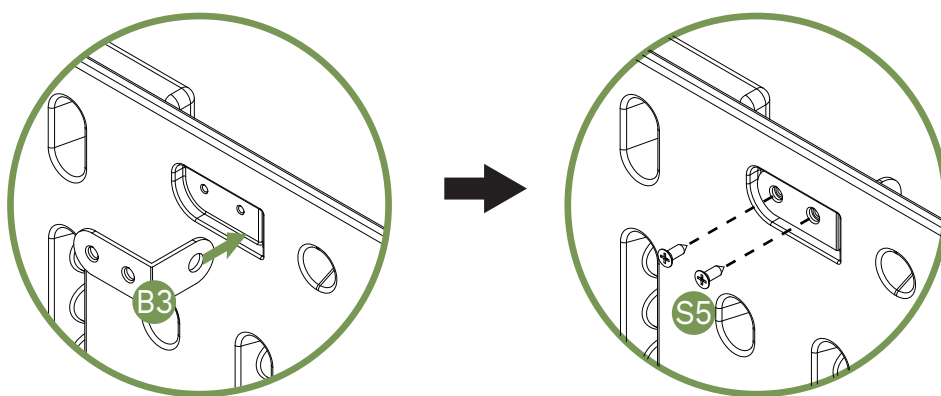
Step 8



B3 (X1)



S5 (X2)

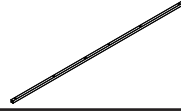


# Assembly steps

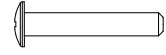
Step 9



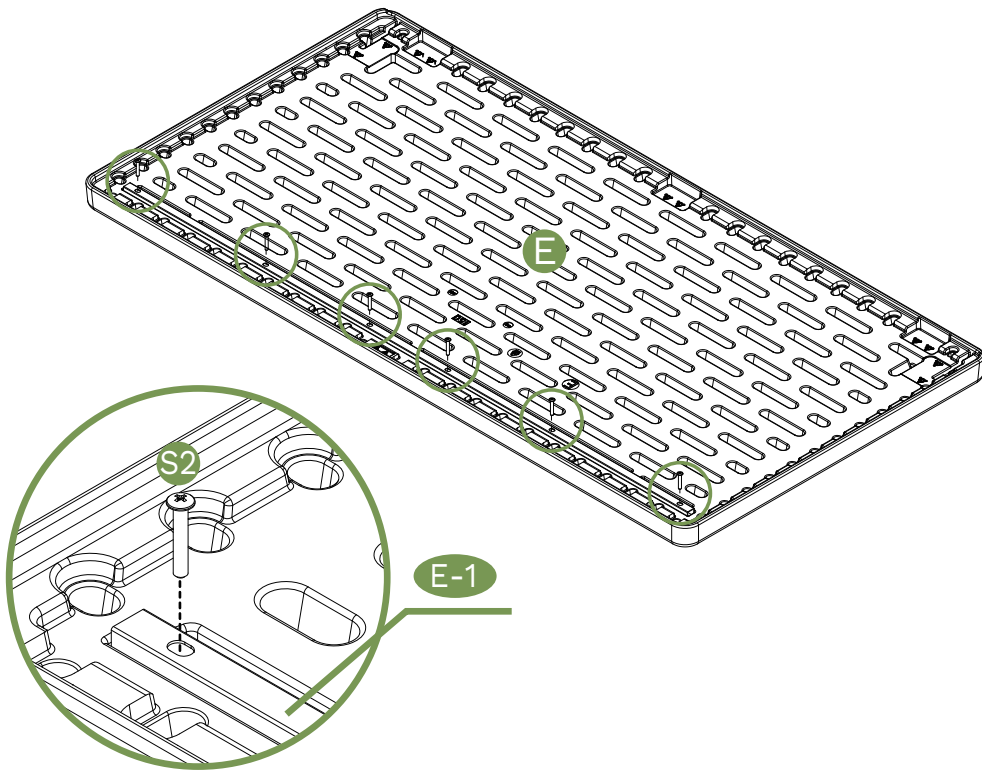
E (X1)



E-1 (X1)

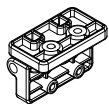


S2 (X6)



# Assembly steps

Step 10



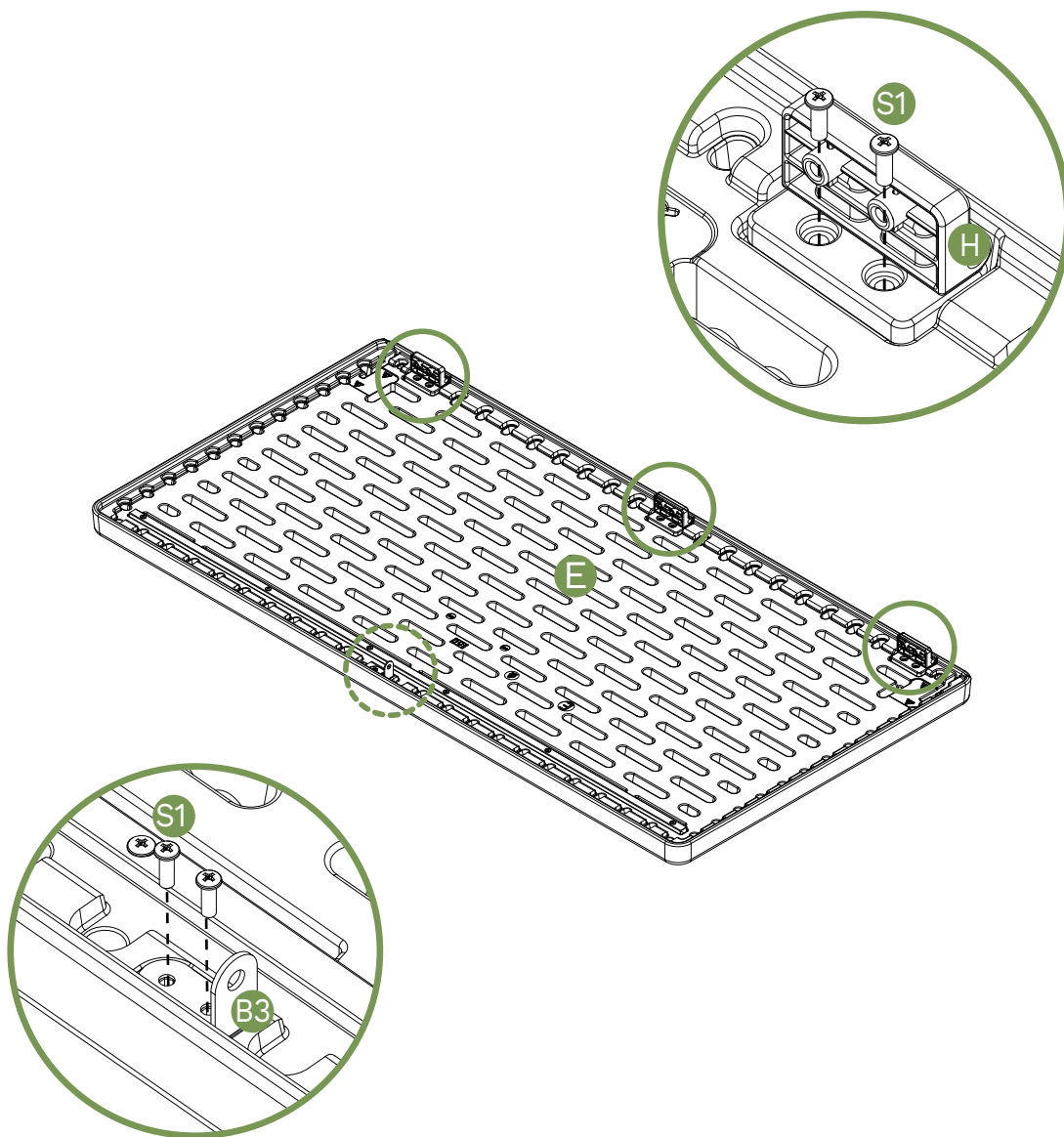
H (X3)



B3 (X1)

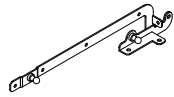


S1 (X8)

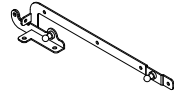


# Assembly steps

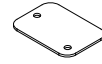
## Step 11



D1 (X1)



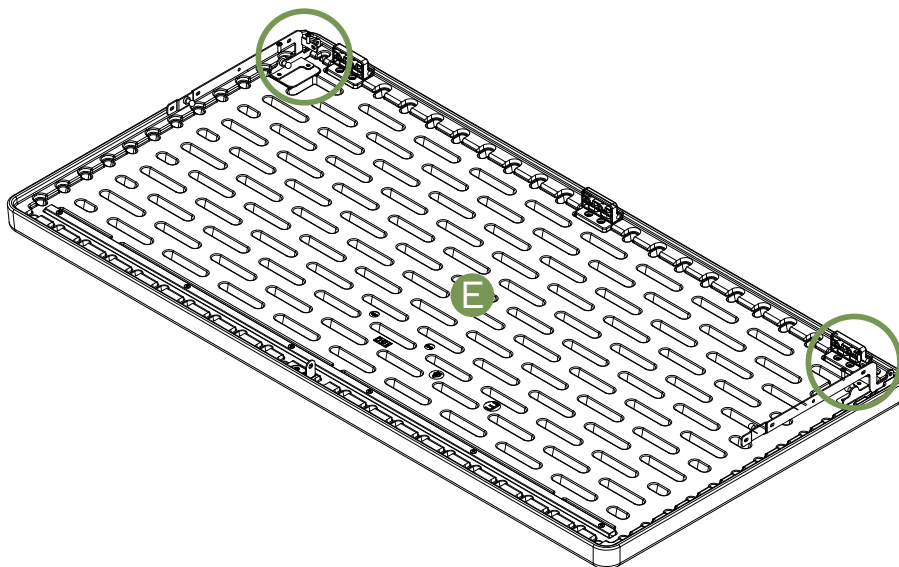
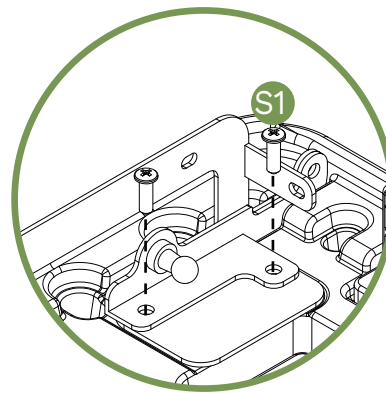
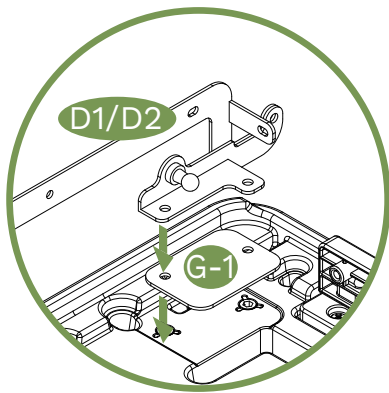
D2 (X1)



G-1 (X2)



S1 (X4)



# Assembly steps

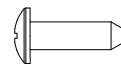
Step 12



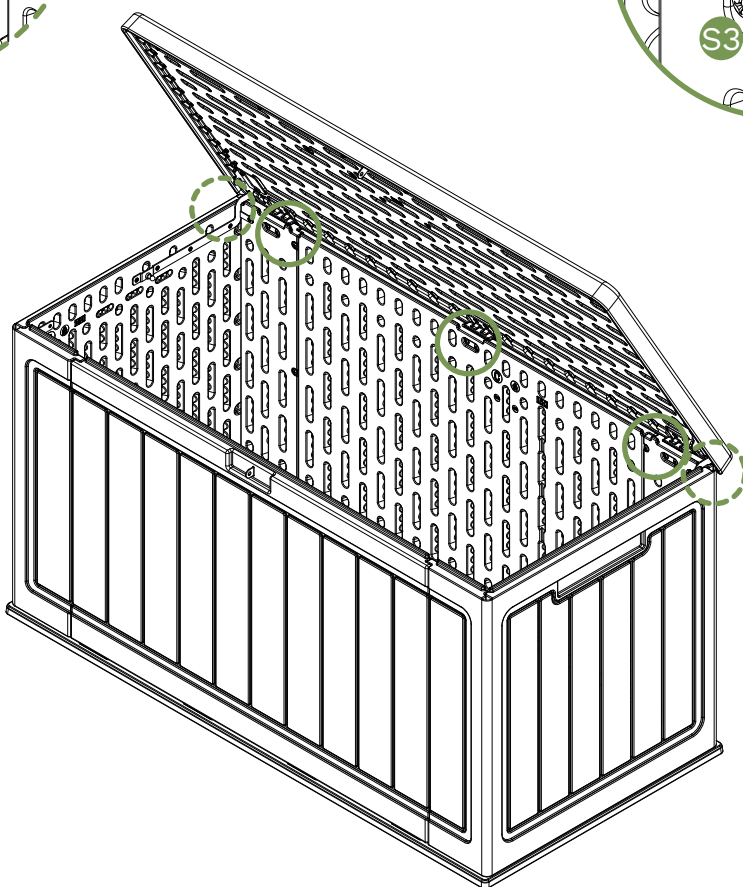
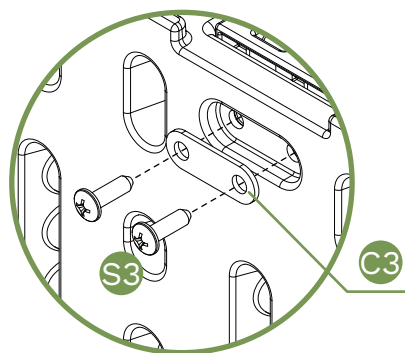
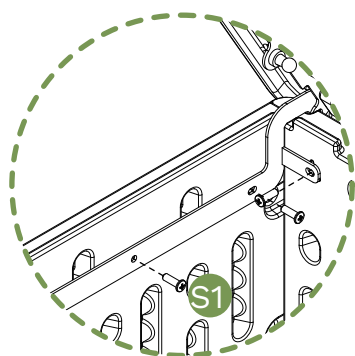
C3 (X3)



S1 (X10)

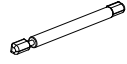


S3 (X6)

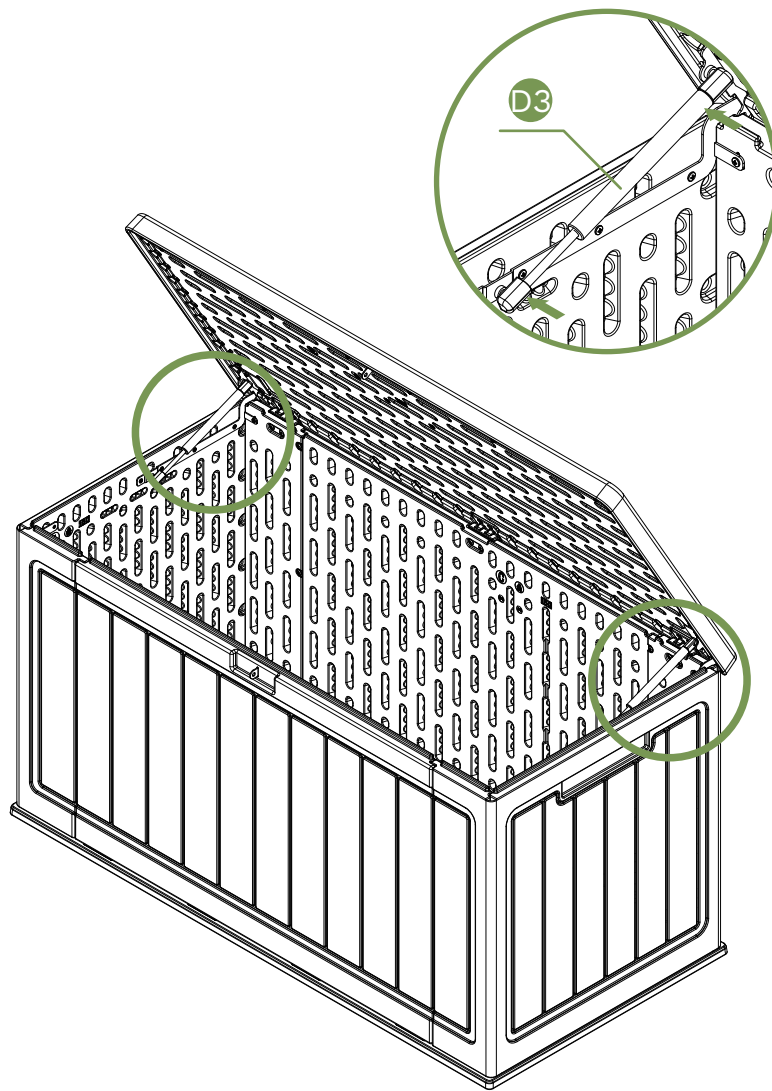


# Assembly steps

Step 13

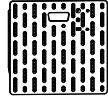


D3 (X2)



# Assembly steps

Step 14



F (X1)

