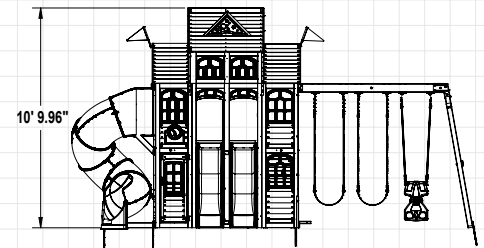
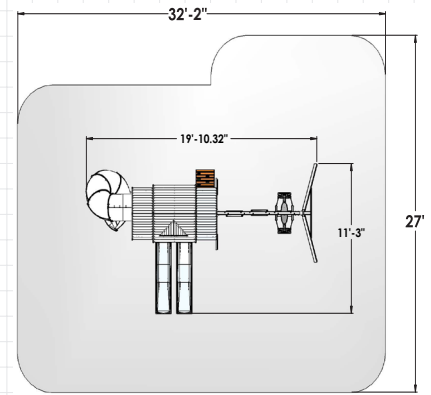


# F29920

# ATLAS POINT SWING SET



**OBSTACLE FREE SAFETY ZONE** - 32'-2" L x 27' D x 11'-9/16" H (9.8 x 8.2 x 3.3m) area requires Protective Surfacing. See page 4.  
**MAXIMUM VERTICAL FALL HEIGHT** - 6'9"(2.06m)  
**CAPACITY** -13 Users Maximum, Ages 3 to 10; Weight Limit 110 lbs. (50 kg) per child.  
**RESIDENTIAL HOME USE ONLY.** Not intended for public areas such as multi-unit residences, schools, churches, nurseries, day cares or parks.



## INSTALLATION AND OPERATING INSTRUCTIONS

**FOR 24/7 ONLINE PARTS REPLACEMENT**

[parts.kidkraft.com](http://parts.kidkraft.com)

Backyard Kids, LLC DBA KidKraft  
 317 S. Main St.  
 Ann Arbor, MI 48104

[customerservice@kidkraft.com](mailto:customerservice@kidkraft.com)  
 1.800.933.0771  
 972.385.0100

9409920

Rev 11/18/2024

### **⚠️ WARNING**

To reduce the risk of serious injury or death, please read and follow these instructions. Keep and refer to instructions as needed and pass along to any future owners of this item.

## **Congratulations on purchasing a KidKraft product!**

**Our items are made of high-quality,  
durable Cunninghamia Lanceolata wood  
from the cypress family.**

**Lumber from these trees are known for  
their light weight and excellent strength.  
The porosity of this wood allows the  
moisture to absorb and evaporate in the  
fibers, resisting rot and bugs.**

**Engineered for great play, our products  
also go through extensive testing for safety.**

**Plus, our team has developed a series of  
proprietary methods for a simpler, more  
organized assembly. Less build time and  
more play time is our motto!**

**However, during assembly if you have any  
questions or concerns, please reach out.  
Our Customer Service can help with missing  
parts, instructions or maintenance.**



## Warnings and Safe Play Instructions



**CONTINUOUS ADULT SUPERVISION REQUIRED.** Most serious injuries and deaths on playground equipment have occurred while children were unsupervised! Our products are designed to meet mandatory and voluntary safety standards. Complying with all warnings and recommendations in these instructions will reduce the risk of serious or fatal injury to children using this play system. Go over the warnings and safe play instructions regularly with your children and make certain that they understand and follow them. Remember on-site adult supervision is required for children of all ages.



### WARNING

#### SERIOUS HEAD INJURY HAZARD

Installation over concrete, asphalt, dirt, grass, carpet and other hard surface creates a risk of serious injury or death from falls to the ground. Install and maintain shock absorbing material under and around play-set as recommended on page 4 of these instructions.

#### COLLISION HAZARD

Place play-set on level ground at least 1.8m from any obstruction such as a garage or house, fences, poles, trees, sidewalks, walls, landscape timbers, rocks, pavement, planters, garden borders, overhanging branches, laundry lines, and electrical wires. (See OBSTACLE FREE SAFETY ZONE on cover)

#### CHOKING HAZARD/SHARP EDGES & POINTS

Adult assembly required. This product contains small parts and parts with sharp edges and points. Keep parts away from children until fully assembled.

#### WARNING LABEL

Owners shall be responsible for maintaining the legibility of the warning labels.

#### STRANGULATION HAZARD

- NEVER allow children to play with ropes, clotheslines, pet leashes, cables, chains or cord-like items when using this play-set or to attach these items to play-set.
- NEVER allow children to wear loose fitting clothing, ponchos, hoods, scarves, capes, necklaces, items with draw-strings, cords or ties when using this play-set.
- NEVER allow children to wear bike or sport helmets when using this play-set.

Failure to prohibit these items, even helmets with chin straps, increases the risk of serious injury and death to children from entanglement and strangulation.

#### TIP OVER HAZARD

Choose a level location for the equipment. This can reduce the likelihood of the play set tipping over and loose-fill surfacing materials washing away during heavy rains.

DO NOT allow children to play on the play-set until the assembly is complete and the unit is properly anchored.

Never add extra length to chain or rope. The chains or ropes provided are the maximum length designed for the swinging element(s).



### WARNING – Safe Play Instructions

- ✓ Observe capacity limitations of your play-set. See front cover.
- ✓ Dress children with well fitting and full foot enclosing footwear.
- ✓ Teach children to sit with their full weight in the center of the swing seat to prevent erratic swing motion or falling off.
- ✓ Check for splintered, broken or cracked wood; missing, loose, or sharp edged hardware. Replace, tighten and or sand smooth as required prior to playing.
- ✓ Verify that suspended climbing ropes, rope ladders, chain or cable are secured at both ends and cannot be looped back on itself as to create an entanglement hazard.
- ✓ On sunny and or hot days, check the slide and other plastic rides to assure that they are not very hot as to cause burns. Cool hot slide and rides with water and wipe dry prior to using.
- ✓ Orientate slide such that it gets the least amount of exposure to the sun.
- ✗ Do not allow children to wear open toe or heel footwear like sandals, flip-flops or clogs.
- ✗ Do not allow children to walk, in front, between, behind or close to moving rides.
- ✗ Do not let children twist swing chains or ropes or loop them over the top support bar. This may reduce the strength of the chain or rope and cause premature failure.
- ✗ Do not let children get off rides while they are in motion.
- ✗ Do not permit climbing on equipment when it is wet.
- ✗ Do not permit rough play or use of equipment in a manner for which it was not intended. Standing on or jumping from the roof, elevated platforms, swings, climbers, ladders or slide can be dangerous.
- ✗ Do not allow children to swing empty rides or seats.
- ✗ Do not allow children to go down slide head first or run up slide.

# ⚠️ Protective Surfacing - Reducing Risk of Serious Head Injury From Falls

One of the most important things you can do to reduce the likelihood of serious head injuries is to install shock-absorbing protective surfacing under and around your play equipment. The protective surfacing should be applied to a depth that is suitable for the equipment height in accordance with ASTM F1292. There are different types of surfacing to choose from; whichever product you select, follow these guidelines:

## Loose-Fill Materials

- Maintain a minimum depth of 9 inches (23 cm) of loose-fill materials such as wood mulch/chips, engineered wood fiber (EWF), or shredded/recycled rubber mulch for equipment up to 8 feet (2.45 m) high; and 9 inches (23 cm) of sand or pea gravel for equipment up to 5 feet (1.5 m) high. NOTE: An initial fill level of 12 inches (31 cm) will compress to about a 9-inch (23 cm) depth of surfacing over time. The surfacing will also compact, displace, and settle, and should be periodically raked and refilled to maintain at least a 9-inch (23 cm) depth.
- Use a minimum of 6 inches (16 cm) of protective surfacing for play equipment less than 4 feet (1.22 m) in height. If maintained properly, this should be adequate. (At depths less than 6 inches (16 cm), the protective material is too easily displaced or compacted.)

NOTE: Do not install home playground equipment over concrete, asphalt, or any other hard surface. A fall onto a hard surface can result in serious injury to the equipment user. Grass and dirt are not considered protective surfacing because wear and environmental factors can reduce their shock absorbing effectiveness. Carpeting and thin mats are not adequate protective surfacing. Ground level equipment -- such as a sandbox, activity wall, playhouse or other equipment that has no elevated play surface -- does not need any protective surfacing.

- Use containment, such as digging out around the perimeter and/or lining the perimeter with landscape edging. Don't forget to account for water drainage.
- Periodically rake, check and maintain the depth of the loose-fill surfacing material. Marking the correct depth on the play equipment support posts will help you to see when the material has settled and needs to be raked and or replenished. Be sure to rake and evenly redistribute the surfacing in heavily used areas.
- Do not install loose fill surfacing over hard surfaces such as concrete or asphalt.

## Poured-In-Place Surfaces or Pre-Manufactured Rubber Tiles

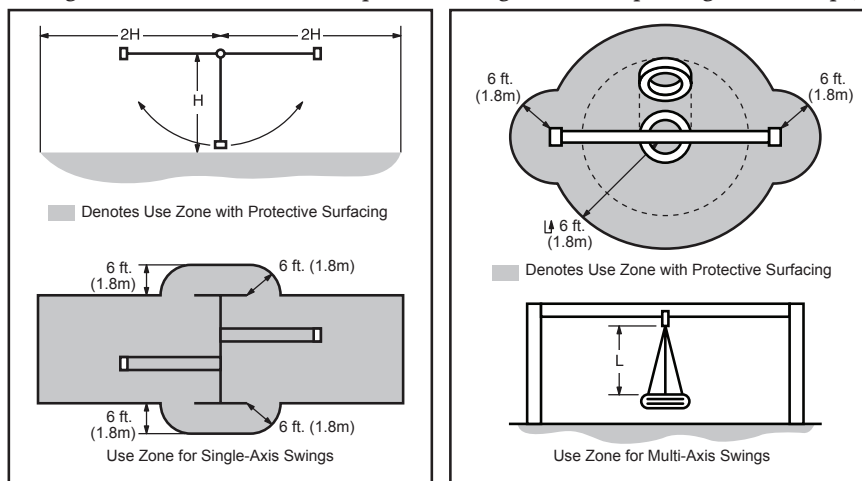
You may be interested in using surfacing other than loose-fill materials - like rubber tiles or poured-in-place surfaces.

- Installations of these surfaces generally require a professional and are not "do-it yourself" projects.
- Review surface specifications before purchasing this type of surfacing. Ask the installer/manufacturer for a report showing that the product has been tested to the following safety standard: ASTM F1292 *Standard Specification for Impact Attenuation of Surfacing Materials within the Use Zone of Playground Equipment*. This report should show the specific height for which the surface is intended to protect against serious head injury. This height should be equal to or greater than the fall height - vertical distance between a designated play surface (*elevated surface for standing, sitting, or climbing*) and the protective surfacing below - of your play equipment.
- Check the protective surfacing frequently for wear.

## Placement

Proper placement and maintenance of protective surfacing is essential. Refer to diagram on front cover. Be sure to;

- Extend surfacing at least 6 feet (1.8 m) from the equipment in all directions.
- For to-fro swings, extend protective surfacing in front of and behind the swing to a distance equal to twice the height of the top bar from which the swing is suspended.
- For tire swings, extend surfacing in a circle whose radius is equal to the height of the suspending chain or rope, plus 6 feet (1.8 m) in all directions.

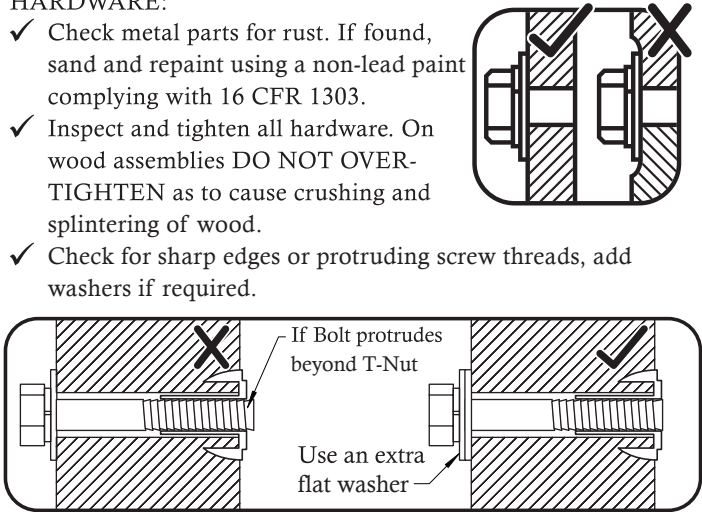


From the CPSC Outdoor Home Playground Safety Handbook. At <http://www.playgroundregs.com/resources/CPSC%20324.pdf>

# Instructions for Proper Maintenance

Your KidKraft Play System is designed and constructed of quality materials with your child's safety in mind. As with all outdoor products used by children, it will weather and wear. To maximize the enjoyment, safety and life of your Play Set, it is important that you, the owner, properly maintain it. Failure to follow maintenance directions below can cause the swing set to overturn or otherwise become a hazard to children.

## Check the following at the beginning of the play season:

<p><b>HARDWARE:</b></p> <ul style="list-style-type: none"> <li>✓ Check metal parts for rust. If found, sand and repaint using a non-lead paint complying with 16 CFR 1303.</li> <li>✓ Inspect and tighten all hardware. On wood assemblies <b>DO NOT OVER-TIGHTEN</b> as to cause crushing and splintering of wood.</li> <li>✓ Check for sharp edges or protruding screw threads, add washers if required.</li> </ul>  <p>If Bolt protrudes beyond T-Nut</p> <p>Use an extra flat washer</p> <p><b>SHOCK ABSORBING SURFACING:</b></p> <ul style="list-style-type: none"> <li>✓ Check for foreign objects. Rake and check depth of loose fill protective surfacing materials to prevent compaction and maintain appropriate depth. Replace as necessary. (See Protective Surfacing, page 4)</li> </ul>	<p><b>GROUND STAKES (ANCHORS):</b></p> <ul style="list-style-type: none"> <li>✓ Check for looseness, damage or deterioration. Should firmly anchor unit to ground during use. Re-secure and or replace, if necessary.</li> </ul> <p><b>SWING HANGERS:</b></p> <ul style="list-style-type: none"> <li>✓ Check that bolts are secure and tight. Quick clips should be completely closed and threaded clips screwed tight.</li> <li>✓ If squeaking occurs lubricate bushings with oil or WD-40®.</li> </ul> <p><b>SWINGS, ROPES AND RIDES:</b></p> <ul style="list-style-type: none"> <li>✓ Reinstall if removed during cold season. Check all moving parts including swing seats, ropes, chains and attachments for wear, rust and other deterioration. Replace as needed.</li> <li>✓ Check that ropes are tight, secure at both ends and cannot loop back as to create an entrapment.</li> </ul> <p><b>WOOD PARTS:</b></p> <ul style="list-style-type: none"> <li>✓ Check all wood members for deterioration, structural damage and splintering. Sand down splinters and replace deteriorated wood members. As with all wood, some checking and small cracks in grain is normal.</li> <li>✓ Applying a water repellent or stain (water-based) on a yearly basis is important maintenance to maintain maximum life and performance of the product.</li> </ul>
--	---

## Check twice a month during play season:

<p><b>HARDWARE:</b></p> <ul style="list-style-type: none"> <li>✓ Inspect for tightness. Must be firmly against, but not crushing the wood. <b>DO NOT OVER-TIGHTEN.</b> This will cause splintering of wood.</li> <li>✓ Check for sharp edges or protruding screw threads. Add washers if required.</li> </ul>	<p><b>SHOCK ABSORBING SURFACING:</b></p> <ul style="list-style-type: none"> <li>✓ Rake and check depth of loose fill protective surfacing materials to prevent compaction and maintain appropriate depth. Replace as necessary. (See Protective Surfacing, page 4)</li> </ul>
---	---

## Check once a month during play season:

<p><b>SWING HANGERS:</b></p> <ul style="list-style-type: none"> <li>✓ Check that they are secure and orientated correctly. Hook should rotate freely and perpendicular to support beam.</li> <li>✓ If squeaking occurs lubricate bushings with oil or WD-40®.</li> </ul>	<p><b>SWINGS AND RIDES:</b></p> <ul style="list-style-type: none"> <li>✓ Check swing seats, all ropes, chains and attachments for fraying, wear, excessive corrosion or damage. Replace if structurally damaged or deteriorated.</li> </ul>
--	---

## Check at the end of the play season:

<p><b>SWINGS AND RIDES:</b></p> <ul style="list-style-type: none"> <li>✓ To prolong their life, remove swings and store inside when outside temperature is below 32°F/0°C. Below freezing, plastic parts may become more brittle.</li> </ul>	<p><b>SHOCK ABSORBING SURFACING:</b></p> <ul style="list-style-type: none"> <li>✓ Rake and check depth of loose fill protective surfacing materials to prevent compaction and maintain appropriate depth. Replace as necessary. (See Protective Surfacing, page 4)</li> </ul>
--	---

**If you dispose of your play set:** Please disassemble and dispose of your unit so that it does not create any unreasonable hazards at the time it is discarded. Be sure to follow your local waste ordinances.

## About Our Wood

KidKraft Premium Play Systems uses only premium playset lumber, ensuring the safest product for your children's use. Although we take great care in selecting the best quality lumber available, wood is still a product of nature and susceptible to weathering which can change the appearance of your set.

### **What causes weathering? Does it affect the strength of my Play System?**

One of the main reasons for weathering is the effects of water (moisture); the moisture content of the wood at the surface is different than the interior of the wood. As the climate changes, moisture moves in or out of the wood, causing tension which can result in checking and or warping. You can expect the following due to weathering. These changes will not affect the strength of the product:

1. **Checking** is surface cracks in the wood along the grain. A post 4" x 4" (101mm x 101mm) will experience more checking than a board 1" x 4" (25mm x 101mm) because the surface and interior moisture content will vary more widely than in thinner wood.
2. **Warping** results from any distortion (twisting, cupping) from the original plane of the board and often happens from rapid wetting and drying of the wood.
3. **Fading** happens as a natural change in the wood color as it is exposed to sun-light and will turn a grey over time.

### **How can I reduce the amount of weathering to my Play System?**

At the factory we have coated the wood with a water repellent or stain. This coating decreases the amount of water absorption during rain or snow thus decreasing the tension in the wood. Sunlight will break down the coating, so we recommend applying a water repellent or stain on a yearly basis (see your local stain and paint supplier for a recommended product).

Most weathering is just the normal result of nature and will not affect safe play and enjoyment for your child. However if you are concerned that a part has experienced a severe weathering problem please call our consumer relations department for further assistance.

**Complete and mail registration card to receive important product notifications and assure prompt warranty service.**

# KidKraft Limited Warranty

## MISSING OR DAMAGED PARTS:

KidKraft will replace any parts within 90 days from date of purchase found to be missing from or damaged in the original packaging. See Fig.1

Fig. 1	<u>Product Age (All Parts)</u> 0-90 Days from date of purchase	<u>Consumer Pays</u> \$0 for Part + Free Shipping
--------	---	--

## DEFECTS IN MATERIAL AND WORKMANSHIP:

KidKraft warrants that this product is free from defects in materials and workmanship for a period of one (1) year from the original date of purchase (dated sales receipt and/or product registration is required). This one (1) year warranty covers all parts including wood, hardware, and all accessories (Such as swings, rides, and slides). See Fig. 2

Fig. 2	<u>Product Age (All Parts)</u> 91 Days to 1 Year	<u>Consumer Pays</u> \$0 for Part + Free Shipping
--------	---	--

## WOOD ROT, DECAY, AND INSECT DAMAGE:

All wood carries a five (5) year warranty against rot, decay, and insect damage (dated sales receipt and/or product registration is required). Refer to the schedule below for charges associated with replacement of wood parts under this **Limited Warranty**. See Fig. 3

Fig. 3	<u>Product Age (Wood Parts)</u> 0 Days to 1 Year After 1 Year to 5 Year Over 5 Years	<u>Consumer Pays</u> \$0 for Part + Free Shipping \$0 for Part + Shipping & Handling 100% for Part (if available) + Shipping & Handling
--------	---	--

This warranty applies to the original owner and registrant and is non-transferable. Regular maintenance is required to ensure the integrity of this product. Failure by the owner to maintain the product according to the maintenance requirements may void this warranty.

This Limited Warranty does NOT cover:

- Any inspection cost
- Labor and/or costs for replacement of any defective item(s), including but not limited to, professional installer costs
- Incidental or consequential damages, including but not limited to, as a result of set relocation, move and/or reinstall
- Cosmetic defects which do not affect performance or integrity of a part or the entire product
- Vandalism, improper use or installation, or acts of nature, including but not limited to, high winds, fire, and flood
- Minor twisting, warping, checking, or any natural occurring properties of wood that do not affect performance or integrity.
- Any KidKraft product purchased, including but not limited to, a non-approved retailer, auction houses, second-hand, and as-is clearance items.

KidKraft products have been designed for safety and quality. Modifications made to the original product may damage the structural integrity of the unit leading to failure and possible injury. KidKraft cannot assume any responsibility for the modified products. Furthermore, modifications void all warranties.

This product is warranted for **RESIDENTIAL USE ONLY**. Under no circumstance should a KidKraft product be used in public settings such as schools, churches, playgrounds, parks, home and professional day cares and the like. Such use may lead to product failure and failure and potential injury. Public use will void this warranty. KidKraft disclaims all other representations and warranties of any kind, express or implied.

# Keys to Assembly Success

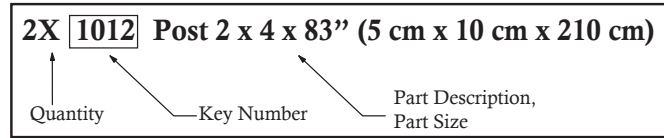
## Tools Required

<ul style="list-style-type: none"> <li>• Tape Measure</li> <li>• Carpenter's Level</li> <li>• Carpenter's Square</li> <li>• Claw Hammer</li> <li>• Standard or Cordless Drill</li> <li>• Rubber Mallet</li> </ul>	<ul style="list-style-type: none"> <li>• #1 Phillips and #2 Robertson Screwdrivers</li> <li>• Ratchet with Extension</li> <li>1/2" (13mm) &amp; 7/16" (11mm) Sockets</li> </ul>	<ul style="list-style-type: none"> <li>• Open-End Wrench</li> <li>1/2" (13mm) &amp; 7/16" (11mm)</li> <li>• Adjustable Wrench</li> <li>• 1/8" (3mm) Drill Bit</li> </ul>	<ul style="list-style-type: none"> <li>• 3/16" (5mm) Hex Key</li> <li>• 8' (2.4m) Step Ladder</li> <li>• Safety Glasses</li> <li>• Adult Helpers</li> <li>• Pencil</li> </ul>
---	---	--	---

## Part Identification Key

Listed on each page are the parts and quantities required to complete the assembly step illustrated on that page.

### EXAMPLE



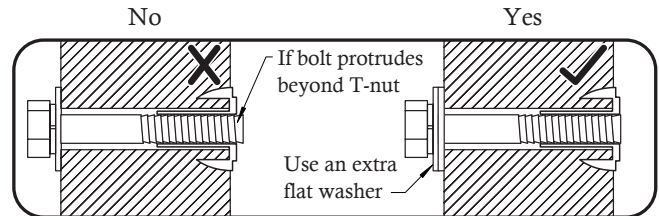
## Symbols

Throughout these instructions, symbols are provided as important reminders for proper and safe assembly.

<p>This identifies information that requires special attention. Improper assembly could lead to an unsafe or dangerous condition.</p>	<p>Check that the set or assembly is properly level before proceeding.</p> <p>Use Level</p>
<p>Use Help</p> <p>Use Help</p> <p>Where this is shown, 2 or 3 people are required to safely complete the step. To avoid injury or damage to the assembly, make sure to get help!</p>	<p>Pre-drill 1/8" (3mm) Bit</p> <p>Pre-drill a pilot hole before fastening screw or lag to prevent splitting of wood.</p> <p>3mm</p>
<p>Measure Distance</p> <p>Check that assembly is square before tightening bolts.</p> <p>Square Assembly</p> <p>Use a measuring tape to ensure proper location.</p>	<p>Tighten Bolts</p> <p>This indicates time to tighten bolts, but not too tight! Do not crush the wood. This may create splinters and cause structural damage.</p>

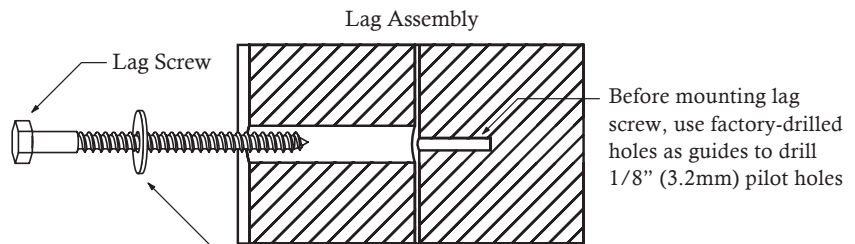
## CAUTION – Protrusion Hazard

Once the assembly is tightened, watch for exposed threads. If a thread protrudes from the T-nut, remove the bolt and add washers to eliminate this condition. Extra washers have been provided for this purpose.

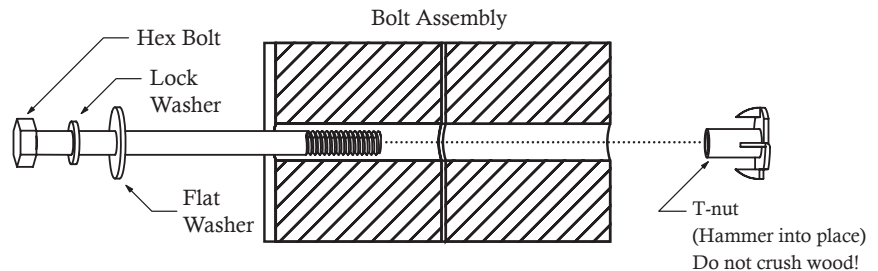


## Proper Hardware Assembly

Lag screws require drilling pilot holes to avoid splitting wood. Only a flat washer is required. For ease of installation, liquid soap can be used on all lag-type screws.



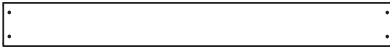
For bolts, tap T-nut into hole with hammer. Insert the hex bolt through lock washer first, then flat washer, then hole. Because the assemblies need to be squared, do not completely tighten until instructed. Pay close attention to diameter of the bolts. 5/16" (8mm) is slightly larger than 1/4" (6.4mm)



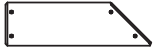
Note: Wafer head bolts with blue lock tight or a bolt with a Nylock® nut do NOT require a lock washer.

# ADD ON M Parts I.D.

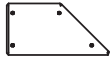
(5) **[2609]** - 1 x 5 x 40-5/8" - Floor Board - **3632609**



(4) **[2790]** - 1 x 5 x 15 1/2" - Transom Board A - **3632790**



(4) **[2791]** - 1 x 6 x 11" - Transom Board B - **3632791**



(4) **[2789]** - 5/4 x 3 x 40 - Short Wall Tie - **3632789**



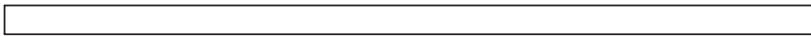
(2) **[2794]** - 2 x 2 x 44-3/8" - Joist - **3632794**



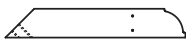
(2) **[2792]** - 1-1/4 x 3 x 43-3/4" - Ground Brace - **3632792**



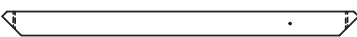
(1) **[2795]** - 1-1/4 x 3 x 84-3/4" - Long Joist - **3632795**



(4) **[2793]** - 1-1/4 x 3 x 18-3/4" - Long Roof End - **3632793**



(4) **[2788]** - 1-1/4 x 2-1/2 x 37-1/8" - Mid Roof Support - **3632788**



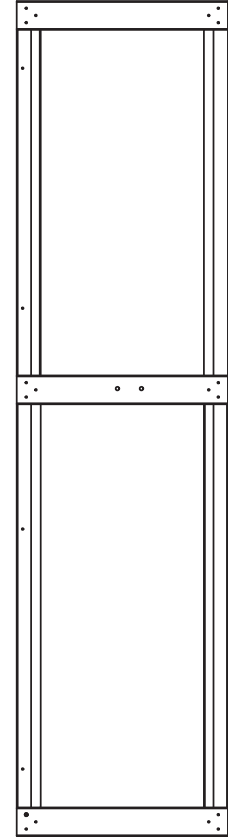
(2) **[2680]** - 1-1/4 x 2-1/4 x 34.10" - Roof Support - **3632680**



(2) **[2684]** - 1-1/4 x 4-7/8 x 7" - Mid Roof End - **3632684**



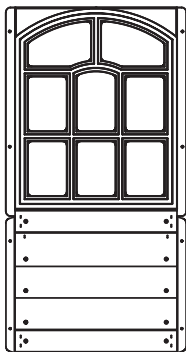
2x - Sky Gable  
(3320212)



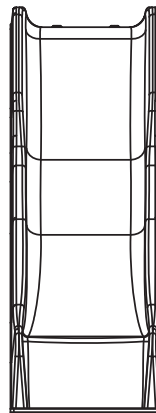
2pc. - **[2677]**  
Narrow Panel 1 1/4 x 22 x 87"  
37632677

3pc. - **[2655]**

Upper Window Insert 1.27 x 18.8 x 35.86"  
37632655



(2) 48" High Rail Slide  
7310248-1

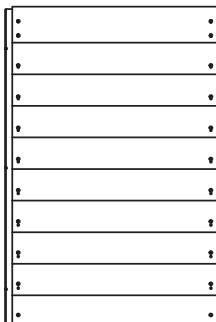


2x -Spiral Wave Bracket  
(9201500)



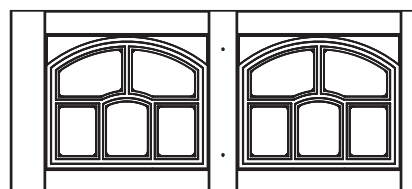
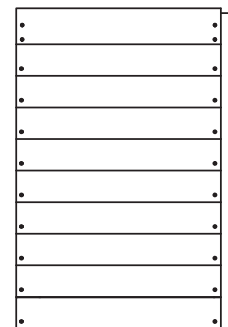
1pc. - **[2671]**

Back Small Roof 1 1/4 x 22-9/16 x 33-3/8"  
37632671



1pc. - **[2672]**

Front Small Roof 1 1/4 x 22-9/16 x 33-5/8"  
37632672



2pc. - **[2802]** Transom Window  
1 1/4 x 19 x 43"  
37632802

# ADD ON C Parts (Reduced Part Size)

2pc. - **5536** - 5/8 x 2 x 6-3/4" - Counter Side - **38045536**

1pc. - **2686** - 5/8 x 2-3/4 x 40-5/8" - Counter Front - **3632686**

2pc. - **2716** - 1 x 4 x 17-5/8" - Counter Mid Top - **3632716**

1pc. - **2687** - 1 x 4 x 40-5/8" - Counter Back - **3632687**

1pc. - **2685** - 1 x 4 x 40-5/8" - Counter Top - **3632685**

5pc. - **2609** - 1 x 5 x 40-5/8" - Floor Board - **3632609**

2pc. - **6136** - 1 x 2 x 12-9/16" - Counter Brace  
**38046136**

2pc. - **2683** - 5/4 x 3 x 62-5/8" - Wall Tie **3632683**

2pc. - **2680** - 1-1/4 x 2-1/4 x 34.10" - Roof Support - **3632680**

1pc. - **2688** - Dormer Cleat 1 1/4 x 3 x 12 3/4" - **3632688**

1pc. - **2608** - 1-1/4 x 3 x 40-3/4" - Floor Joist - **3632608**

2pc. - **2684** - 1-1/4 x 4-7/8 x 7" - Mid Roof End - **3632684**

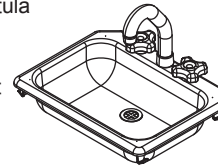
4pc. - **5736** - 1 x 2 x 8 1/4" - Counter Joist  
**38045736**

1x - Deluxe Kitchen Set  
(3320969)

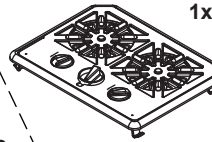


1x - Pot Pan Spatula  
(9320889)

1x - Sink Set  
(3330908)



1x - Faucet (9320881)  
1x - Sink Knob (Red) (9320382)  
1x - Sink Knob (Blue) (9320482)  
1x - Deep Sink (9320969)

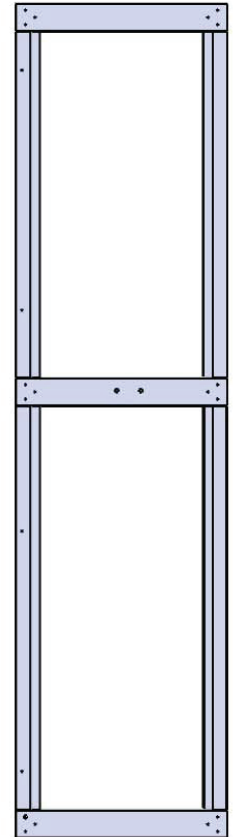


1x - Stove  
(3320738)

10x - #6 x 9mm Blunt  
Point Pan Screw  
(52402902)

8x - Mount Clips  
(9320088)

Nominal Size	Actual Size
2 x 2	1-1/2 x 1-1/2
1 x 2	1 x 2
1 x 5	5/8 x 4-1/2
1 x 6	5/8 x 5-3/8
1-1/4 x 3	1-1/4 x 3
1-1/4 x 2-1/4	1-1/4 x 2-1/4
1-1/4 x 4-7/8	1-1/4 x 4-7/8



2pc. - **2677**  
Narrow Panel 1 1/4 x 22 x 87"  
**37632677**



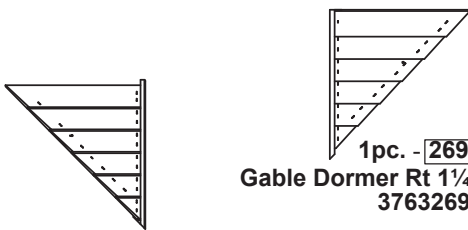
1x - Sky Chalk Wall  
(3320217)



1x - Flag and Pole (2pk)  
(3320632)



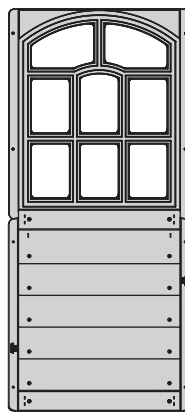
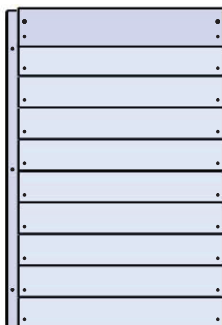
1x - Sky Gable  
(3320212)



1pc. - **2699**  
Gable Dormer Rt 1 1/4 x 14.6 x 22"  
**37632699**

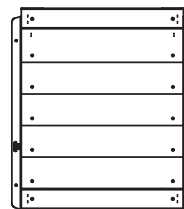
1pc. - **2689**  
Gable Dormer Lt 1 1/4 x 14.6 x 22"  
**37632689**

1pc. - **2671**  
Back Small Roof 1 1/4 x 22-9/16 x 33-3/8"  
**37632671**



1pc. - **2649**  
Lower Window Insert  
1.27 x 18.8 x 41.91"  
**37632649**

1pc. - **2672**  
Front Small Roof 1 1/4 x 22-9/16 x 33-5/8"  
**37632672**



2pc. - **649A**  
Short Half Wall  
1.27 x 18.8 x 20-15/16"  
**37632649A**

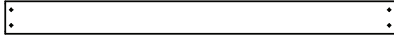


# Part Identification (Reduced Part Size)

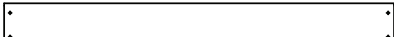
# (Main Clubhouse and Swing)

Nominal Size	Actual Size
5/4 x 5	15/16 x 4-1/4
5/4 x 6	15/16 x 5-1/4
2 x 2	1-1/2 x 1-1/2
1 x 4	5/8 x 3-3/8
1 x 6	5/8 x 5-3/8
1-1/4 x 2-1/4	1-1/4 x 2-1/4
1-1/4 x 3	1-1/4 x 3
4 x 4	3 x 3
4 x 6	3 x 5-1/4

1pc. - **[2648]** - 1 x 4 x 40-5/8" - Floor Board - **3632648**



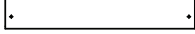
8pc. - **[2609]** - 1 x 5 x 40-5/8" - Floor Board - **3632609**



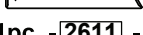
2pc. - **[2605]** - 1 x 6 x 19-3/4" - Access Board - **3632605**



2pc. - **[2603]** - 1 x 6 x 19-3/4" - Rock Board A - **3632603**



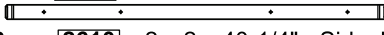
2pc. - **[2606]** - 5/4 x 4 x 14 1/4" - SW Ground - **3632606**



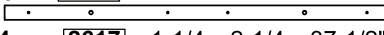
1pc. - **[2611]** - 5/4 x 5 x 39-5/8" - Table Top - **3632611**



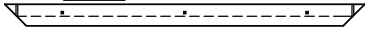
1pc. - **[2612]** - 2 x 2 x 39-5/8" - Table Support - **3632612**



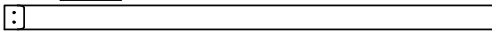
2pc. - **[2610]** - 2 x 2 x 40-1/4" - Side Joist - **3632610**



4pc. - **[2617]** - 1-1/4 x 2-1/4 x 37-1/2" - Roof Support - **3632617**



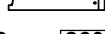
2pc. - **[0349]** - Rock Rail 2 x 3 x 51" - **3640349**



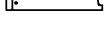
1pc. - **[2616]** - 5/4 x 4 x 46-1/2" - SW Support - **3632616**



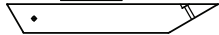
2pc. - **[2646]** - 1-1/4 x 3 x 10" - Roof End - **3632646**



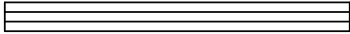
2pc. - **[2647]** - 1-1/4 x 3 x 10" - Roof End Left - **3632647**



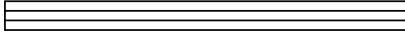
2pc. - **[2607]** - 1-1/4 x 3 x 22" - Diagonal - **3632607**



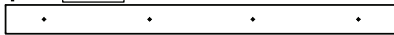
1pc. - **[2602]** - Upper Jamb 1 1/4 x 3 x 35-15/16" - **3632602**



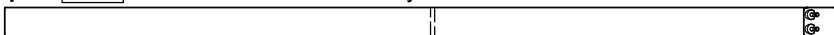
1pc. - **[2601]** - Lower Jamb 1 1/4 x 3 x 41-15/16" - **3632601**



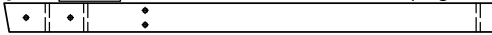
1pc. - **[2608]** - 1-1/4 x 3 x 40-3/4" - Floor Joist - **3632608**



2pc. - **[2613]** - 2 x 3 x 86-11/16" - Heavy SW Post - **3632613**



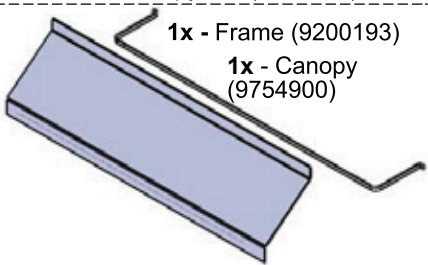
1pc. - **[2615]** - 4 x 4 x 50-15/16" - SW Upright - **3632615**



1pc. - **[2614]** - 4 x 6 x 88" - Engineered Beam - **3632614**



1x - Cafe Canopy Set (3754900)



1x - Frame (9200193)

1x - Canopy (9754900)

1x - KidKraft ID Plaque (9320374)



1x - KidKraft Logo Plaque (3320353)



1x - Glider Hanger (2pk)(3200105)



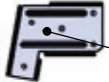
1x Beam Brkt. Left (9200144)



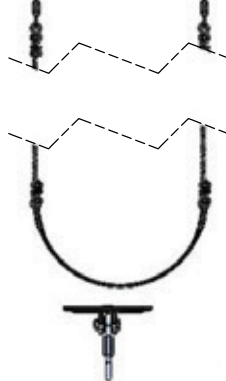
2x - L Beam Brkt. (9200145)



1x - Beam Brkt. Right (9200143)



2x - Long Belt Swing (3724939) Yellow



4x - Swing Hanger (9200106)

6x - Rebar Ground Stake (9290318)



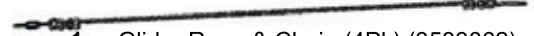
1x - Space Glider Body (3320268) Yellow



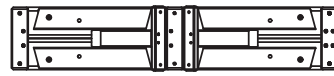
2x - Space Glider Handle (3320177) Green



1x - Glider Rope & Chain (4Pk) (3533862)



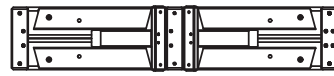
2pc. - **[2717]** - Clock Block 3/4 x 1-3/4 x 9-3/4" - **3632717**



3pc. - **[2604]** - 1 x 6 x 19-3/4" - Rock Board B - **3632604**



1pc. - **[9501]** - 2 5/8 x 6 1/2 x 31 7/8" Folding Bench-**37639501**



1x - Rocks

2x - 9320195 (Green)  
1x - 9320196 (Yellow)



1x - 9320295 (Green)  
1x - 9320296 (Yellow)



3205960  
1X - Flat Brkt (2pk)



2x - Sky Gable (3320212)



1x - Bracket Set (3204930)



8x - Narrow Angle Bracket (9200632)

8x - Flat Panel Bracket (9200633)

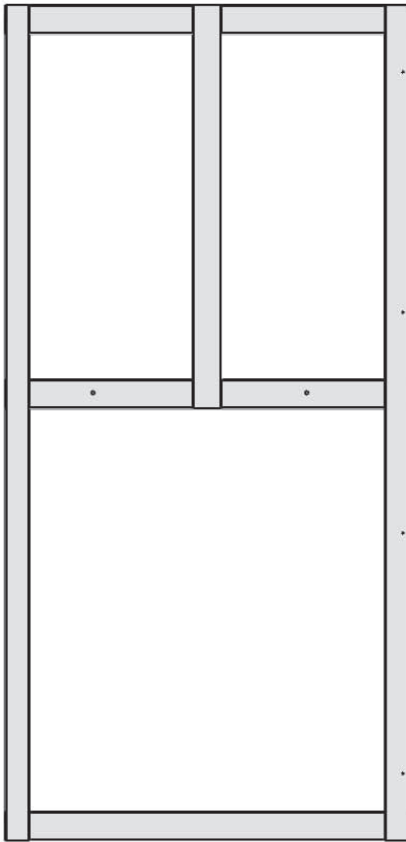
1x - Base Clock (9320124)



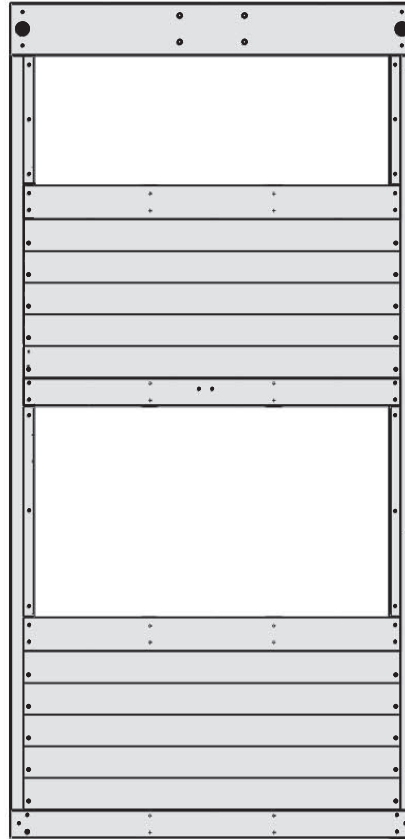
1x - Clock Subset (3320329)

# Part Identification (Reduced Part Size)(Main Clubhouse and Swing)

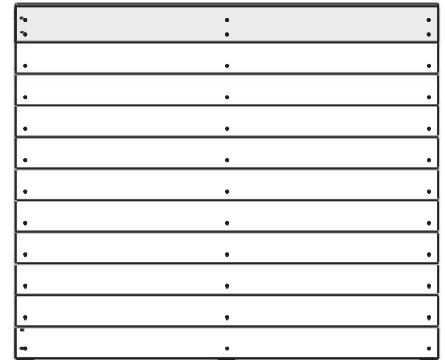
2pc. - [2618] Front Back  
Panel 1¼ x 42 x 87"  
- 37632618



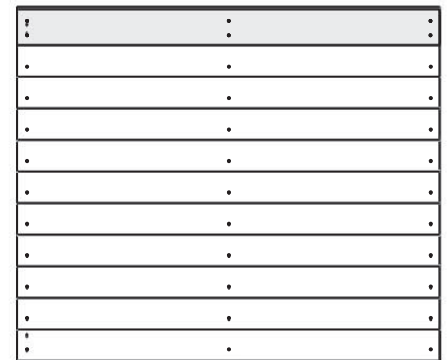
1pc. - [2627]  
SW Wall Panel 1¼ x 42 x 87"  
- 37632627



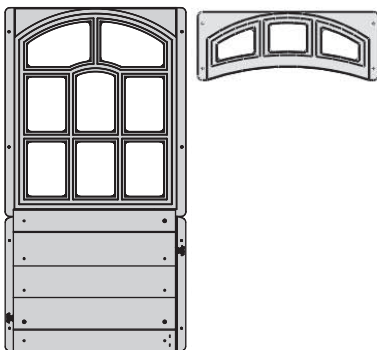
1pc. - [2639]  
Back Roof Panel 1¼ x 36¾ x 44"  
- 37632639



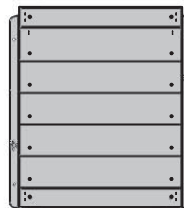
1pc. - [2644]  
Front Roof Panel 1¼ x 37 x 44"  
- 37632644



2pc. - [2655]  
Upper Window Insert  
1.27 x 18.8 x 35.86"  
- 37632655

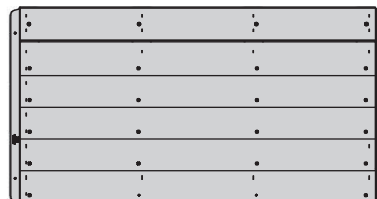


2pc.  
MOD 3 Pane Transom  
- (9320138)

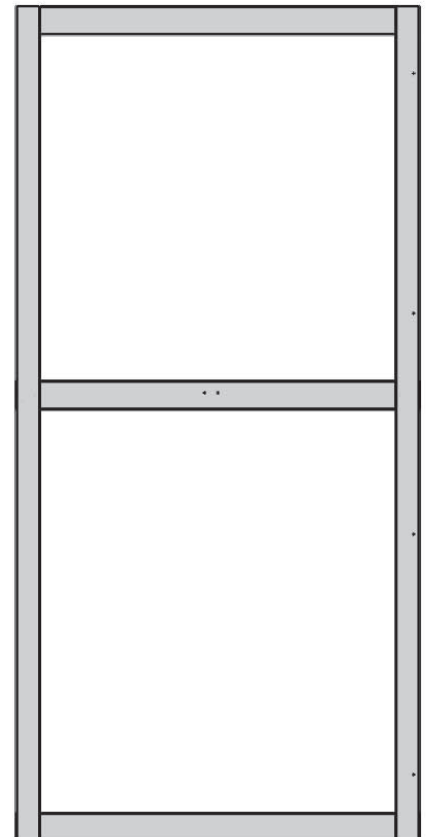


2pc. - [649A]  
Short Half Wall - 1.27 x 18.8 x 20-15/16"  
- 37632649A

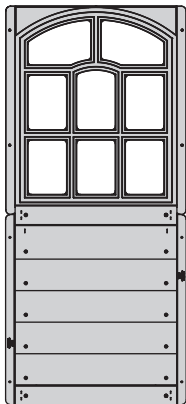
1pc. - [2665]  
Half Wall Insert - 1.4 x 20¼ x 38.8"  
- 37632665



1pc. - [2622]  
End Panel Assembly 1¼ x 42 x 87"  
- 37632622



1pc. - [2649]  
Lower Window Insert  
1.27 x 18.8 x 41.91"  
- 37632649

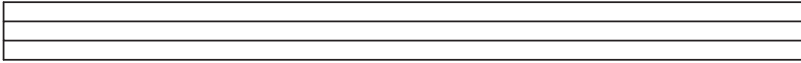


# Part Identification (Reduced Part Size)

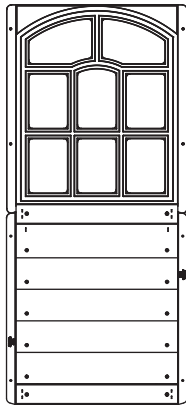
# Add on B

(1) Lower Jamb 1 1/4 x 3 x 41-15/16" 3632601

**2601**

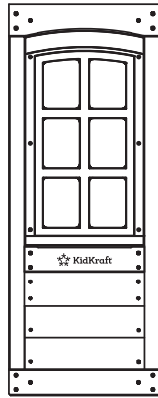


**2649**



(1) Lower Window Insert  
1.27 x 18.8 x 41.9" 37632649

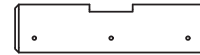
**9508**



(1) Door Window Panel  
1 1/4 x 15 3/4 x 40 3/4" 37589508

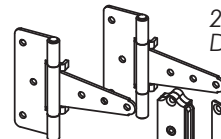
(1) Door Stop 5/4 x 3 x 10"

**2715**



3632715

## 1x - Door Hardware (3201710)



2x 9201712  
Door Hinge

9207713  
Door Catch



1x Magnetic Catch  
1x Catch Plate

2x 9201711  
Door Handle

# Part Identification (Reduced Part Size)

# TNR 3

(1) SL Gusset 1 1/4 x 3 x 15 3/4"

**8934**



3638934

(1) TNR Upright 1 1/4 x 3 x 20 1/4"

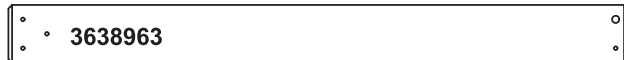
**8965**



3638965

(1) TNR Ground Brace 1 1/4 x 3 x 32 1/4"

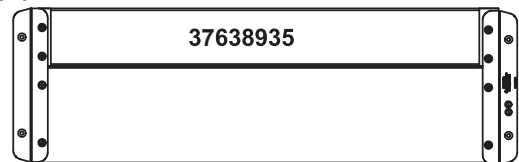
**8963**



3638963

(1) Lower SL Insert 1.27 x 8-1/8 x 26 1/4"

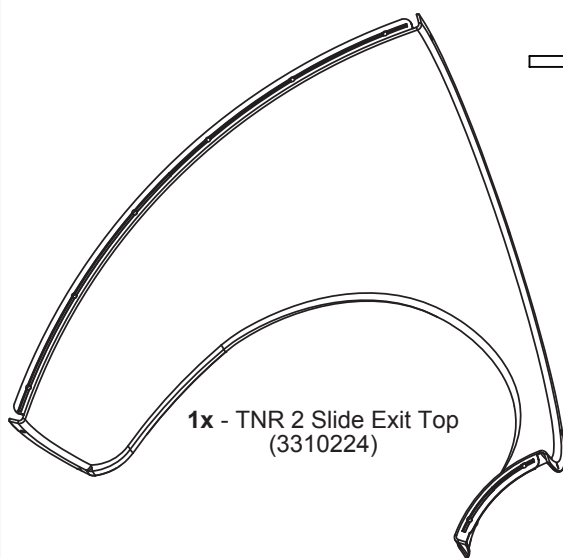
**8935**



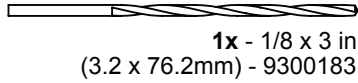
37638935

# Part Identification (Reduced Part Size)

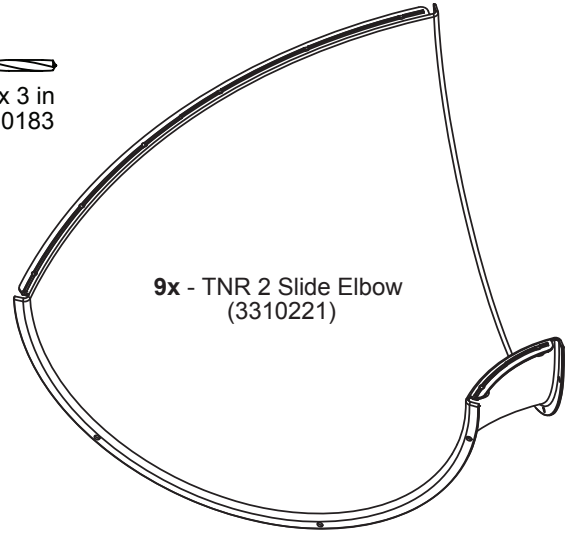
( TNR 4 )



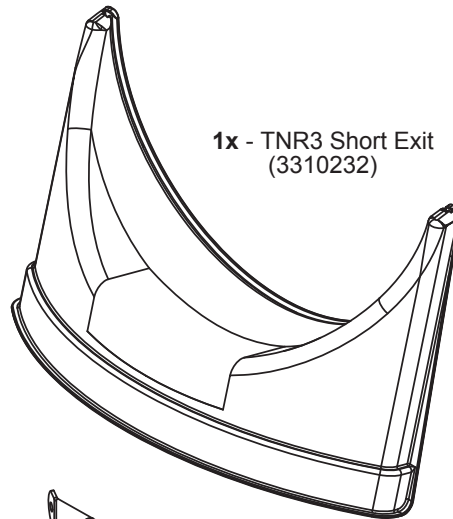
1x - TNR 2 Slide Exit Top  
(3310224)



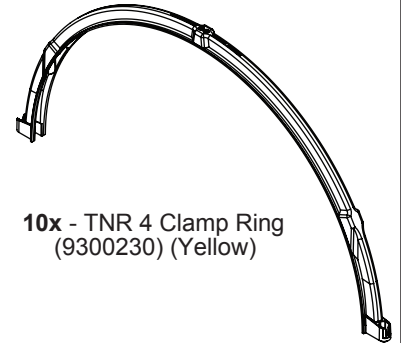
1x - 1/8 x 3 in  
(3.2 x 76.2mm) - 9300183



9x - TNR 2 Slide Elbow  
(3310221)



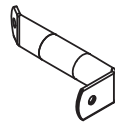
1x - TNR3 Short Exit  
(3310232)



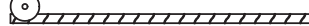
10x - TNR 4 Clamp Ring  
(9300230) (Yellow)

1x - TNR 4 Post Mount Kit (9203655)

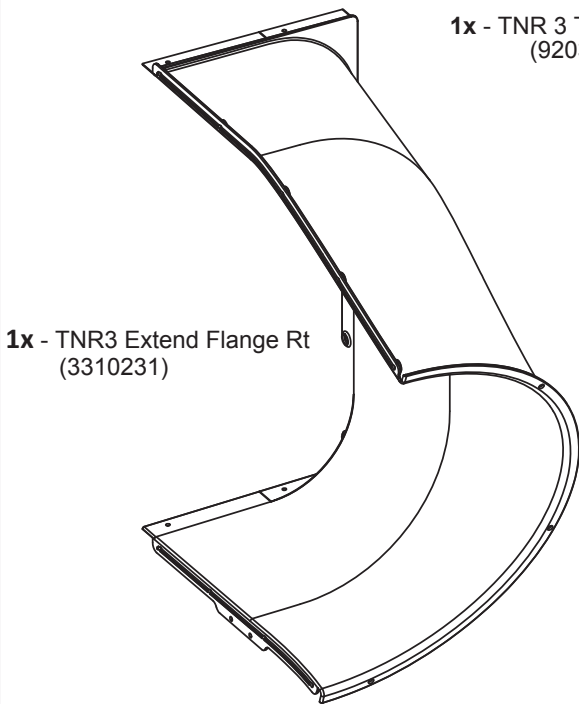
<p>2x - TNR 4 Post Mount Clamp (9203657)</p>	<p>31x - Square Nylok Nut (54902200)</p>
<p>30x - 1/4 x 1/2" Pan Head Bolt (53453202)</p>	<p>1x - TNR 4 Post Mount Base (9203656)</p>
<p>1x - 1/4 x 9/16" Pan Head Bolt (53452209)</p>	



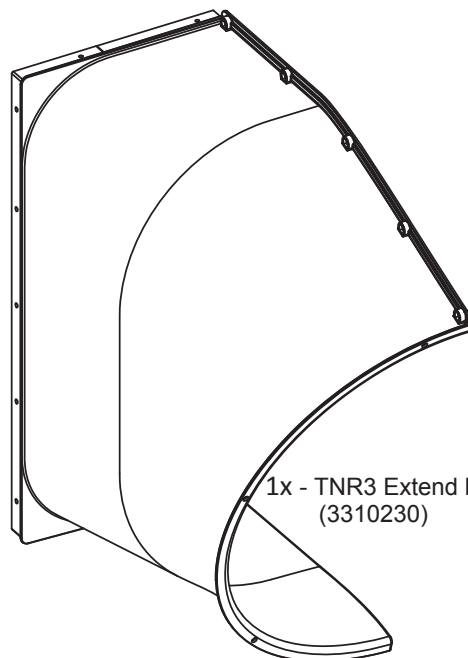
(1) Rebar Ground Stake 9290318



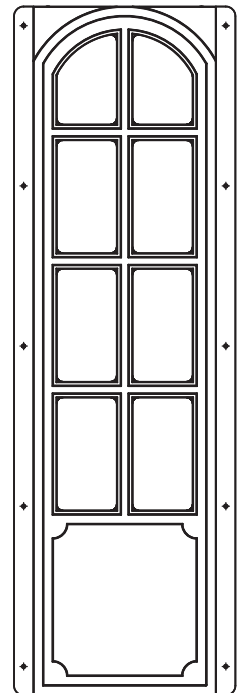
1x - TNR 3 Tube Support (9203601)



1x - TNR3 Extend Flange Rt  
(3310231)



1x - TNR3 Extend Flange Lt  
(3310230)



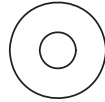
1x - MOD Side Lite (9320116)

# Hardware Identification (Actual Size)

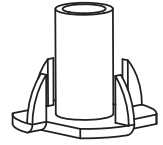
5pc. **LW2** - 5/16" Lock Washer - (51303300)



5pc. **FW0** - 3/16" Flat Washer - (51103100)



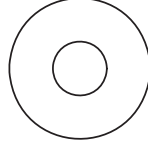
15pc. **TN1** - 1/4" T - Nut (54503200)



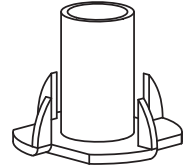
20pc. **LW1** - 1/4" Lock Washer - (51303200)



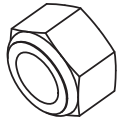
19pc. **FW1** - 1/4" Flat Washer - (51103200)



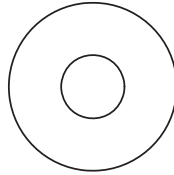
8pc. **TN2** - 5/16" T - Nut - (54503300)



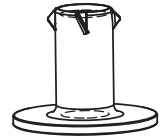
29pc. **LN2** - 5/16" Lock Nut - (54303300)



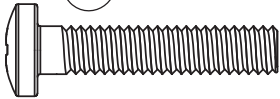
66pc. **FW2** - 5/16" Flat Washer - (51103300)



5pc. **BN1** - 1/4" Barrel Nut - (54803200)



5pc. **PB2** - Pan Bolt 1/4 x 1-1/4"

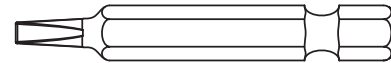


- (53433212)

8pc. **FW3** - #8 Flat Washer - (51003500)



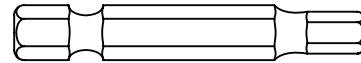
1pc. **D4** - 2 x 2 Robertson Driver Bit - (9200014)



156pc. **S0** - Truss Screw #8 x 7/8" - (52933505)



1pc. **D6** - 3/16" - 9200019  
4.8mm



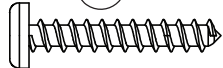
36pc. **S5** - Pan Screw #8 x 1/2" - (52433502)



8pc. **S18** - Wood Screw #6 x 1" - (52013910)



14pc. **S10** - Pan Screw #8 x 1"

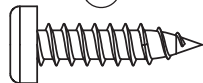


- (52433510)

160pc. **S2** - Wood Screw #8 x 1-1/2" - (52043512)



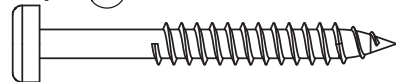
17pc. **S6** - Pan Screw #12 x 1" - (52433610)



98pc. **S11** - Wood Screw #8 x 2" - (52043520)



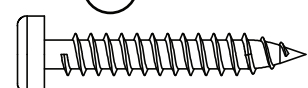
25pc. **S7** - Pan Screw #12 x 2" - (52433620)



52pc. **S3** - Wood Screw #8 x 2-1/2" - (52043522)



28pc. **S42** - Pan Screw #12 x 1-1/2" - (52433621)

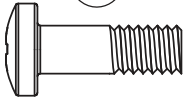


25pc. **S4** - Wood Screw #8 x 3" - (52043530)



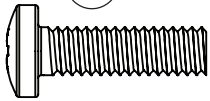
# Part Identification (Actual Part Size)

54pc. **(PB1)** - Pan Bolt 1/4 x 3/4"



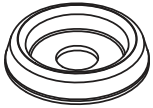
- (53453203)

11pc. **(PB6)** - Pan Bolt 1/4 x 1" - (53413210)



1x **(D1)** - Quadrex  
Driver Bit (9200015)

8pc. **(FW6)** - #12 Screw Bezel - (9299500)



1pc. 1/8 x 3" Drill Bit - (9300183)



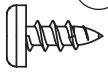
7pc. **(S37)** - Pan Screw #7 x 5/8" (52433009)



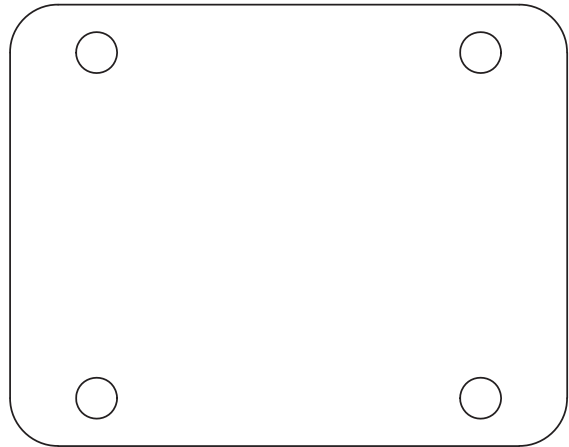
64pc. **(LN1)** - 1/4 Lock Nut - (54303200)



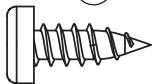
16pc. **(S13)** - Pan Screw #6 x 5/8" - (52413908)



6pc. Jamb Mount - (9206300)



38pc. **(S8)** - Pan Screw #12 x 3/4"  
- (52433603)

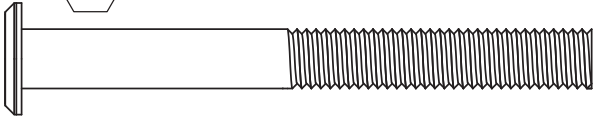


20pc. **(TS)** - Trim Screw #6 x 30mm - (52953911)

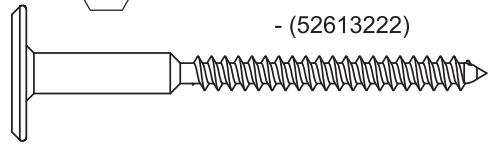


# Hardware Identification (Actual Size)

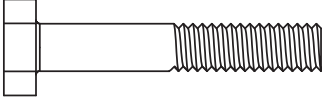
3pc. **WB7** - Wafer Bolt 5/16 x 3" - (53613330)



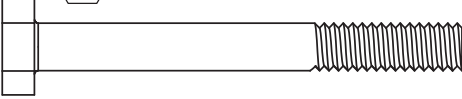
17pc. **WL5** - Wafer Lag 1/4 x 2-1/2" - (52613222)



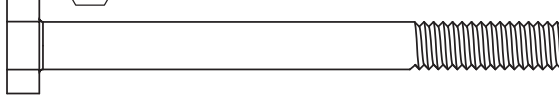
4pc. **H1** - Hex Bolt 1/4 x 1-1/2" - (53703212)



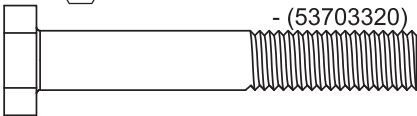
2pc. **H10** - Hex Bolt 1/4 x 2-1/4" - (53703221)



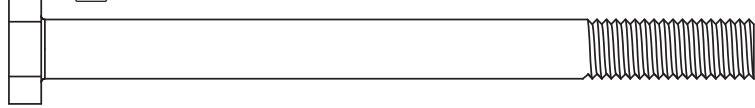
8pc. **H11** - Hex Bolt 1/4 x 2-3/4" - (53703223)



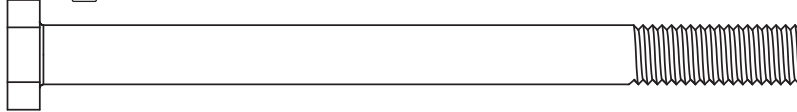
4pc. **G8** - Hex Bolt 5/16 x 2" - (53703320)



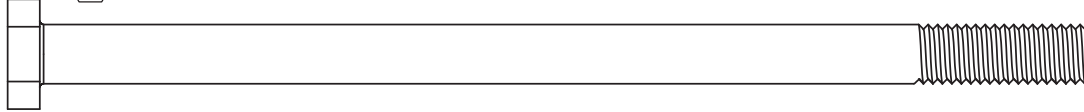
7pc. **G21** - Hex Bolt 5/16 x 3-3/4" - (53703333)



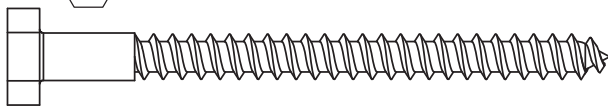
3pc. **G4** - Hex Bolt 5/16 x 4" - (53703340)



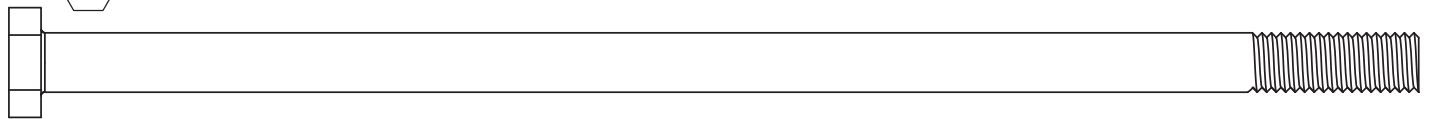
14pc. **G7** - Hex Bolt 5/16 x 5-1/2" - (53703352)



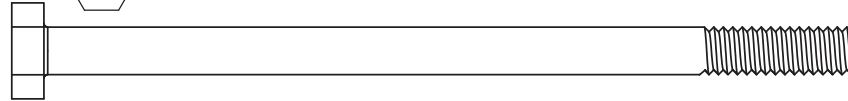
2pc. **LS3** - Lag Screw 1/4 x 3" - (52213230)



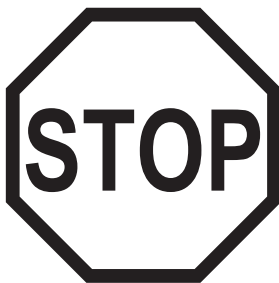
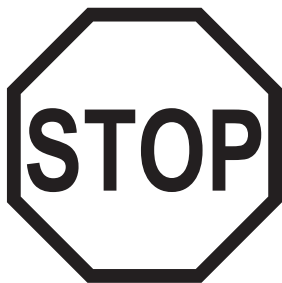
2pc. **G25** - Hex Bolt 5/16 x 7-1/4" - (53703371)



1pc. **H8** - Hex Bolt 1/4 x 4 1/4" - (53703241)

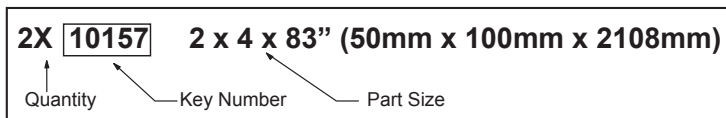


## Step 1: Inventory Parts - Read This Before Starting Assembly



Inventory should be completed before starting installation. KidKraft will not cover costs of any additional installation trip due to missing or damaged pieces.

- A. Referencing the parts identification sheets, inventory all hardware, wood and accessories. This will assist you with your assembly.
- The wood pieces will have the key number stamped on the ends of the boards. Organize the wood pieces by step, as per the key numbering system below.



- B. Read the assembly manual completely, paying special attention to EN71 and ASTM warnings, notes and safety/maintenance information on pages 1 - 8.

**If there are missing or damaged pieces,  
please contact the KidKraft Consumer Engagement Team  
before going back to the retailer.**

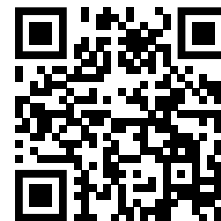
## Request Replacement Parts 24/7

You can request replacement parts for this product 24 hours a day / 7 days a week:

**Outdoor Swing Set and Playhouse Parts Ordering**

**<https://parts.kidkraft.com/partsorderemail>**

If you have assembly or product questions, please refer to the front cover for direct contact information for our Consumer Engagement Team OR you can also use this QR code with your smartphone for common questions and contact information.



**KidKraft Help Center**      **<https://kidkraft.zendesk.com/hc/en-us/>**

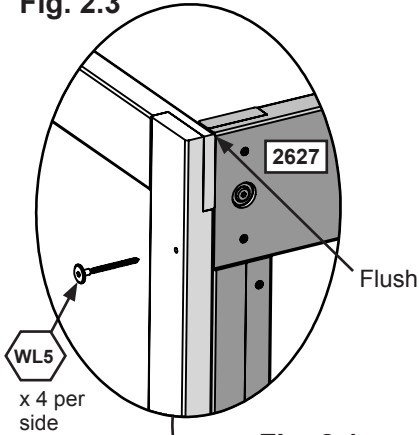
# Step 2: Frame Assembly Part 1



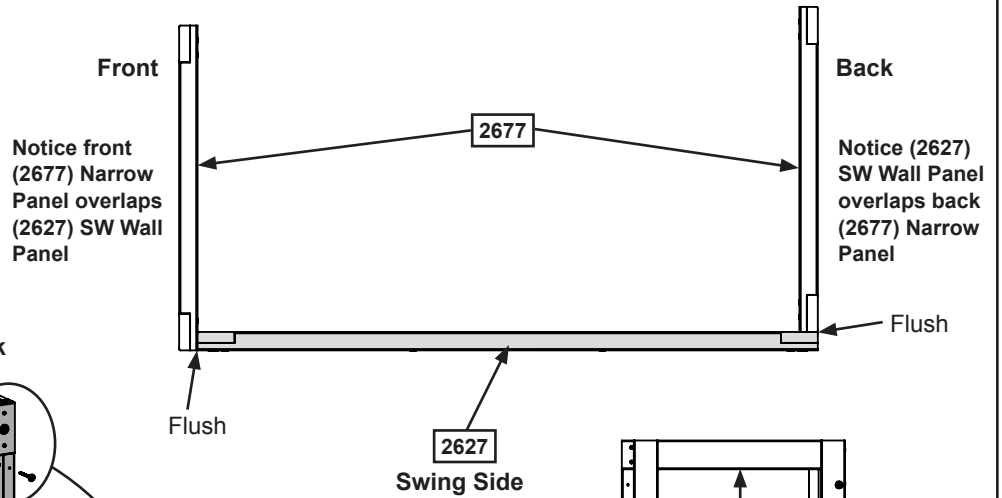
*It is important to assemble the frame on a flat, smooth surface.*

**A:** Place (2627) SW Wall Panel between 2 (2677) Narrow Panels noticing the panel orientations. The tops and bottoms of the panels should be flush. Make sure the panels are square then using the pilot holes as a guide pre-drill with a 1/8" drill bit and fasten the front (2677) Narrow Panel to (2627) SW Wall Panel and (2627) SW Wall Panel to the back (2677) Narrow Panel with 4 (WL5) 1/4 x 2-1/2" Wafer Lags per side. (fig. 2.1, 2.2, 2.3, 2.4 and 2.5)

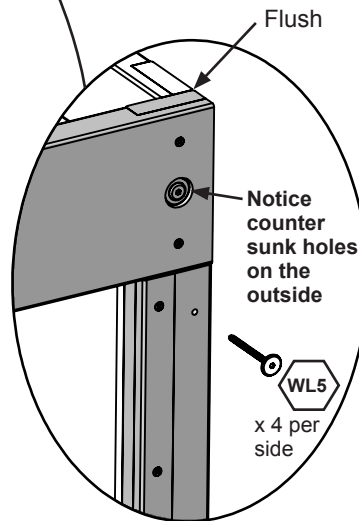
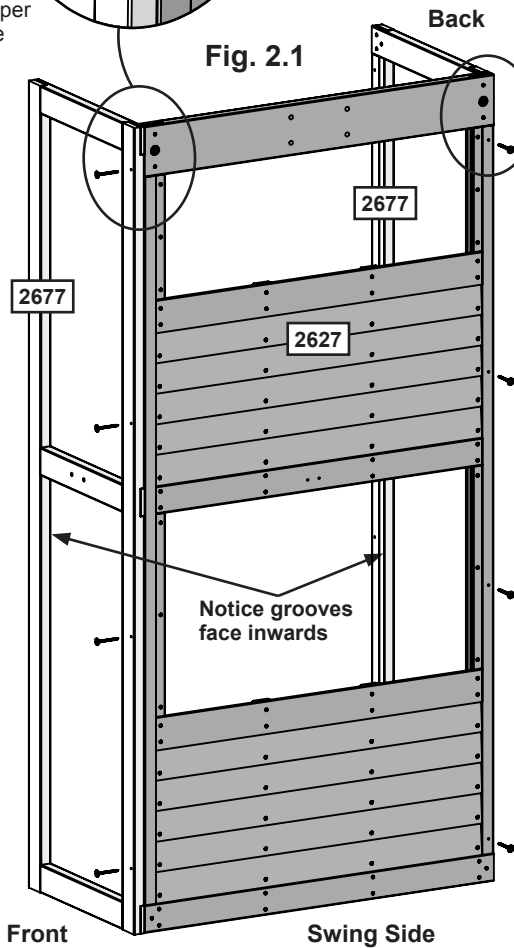
**Fig. 2.3**



**Fig. 2.2**  
Top View

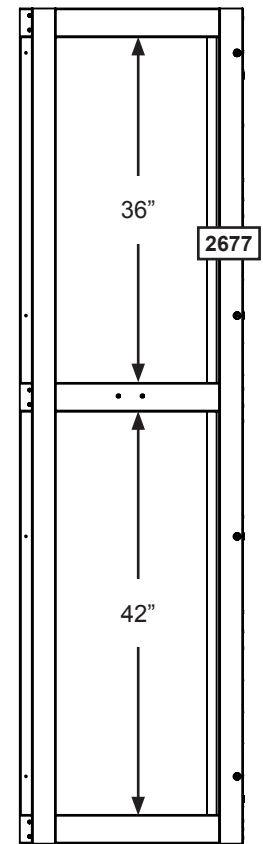


**Fig. 2.1**



**Fig. 2.4**

**Fig. 2.5**



Side View

**Wood Parts**

- 2 x **2677** Narrow Panel 1-1/4 x 22 x 87"
- 1 x **2627** SW Wall Panel 1-1/4 x 42 x 87"

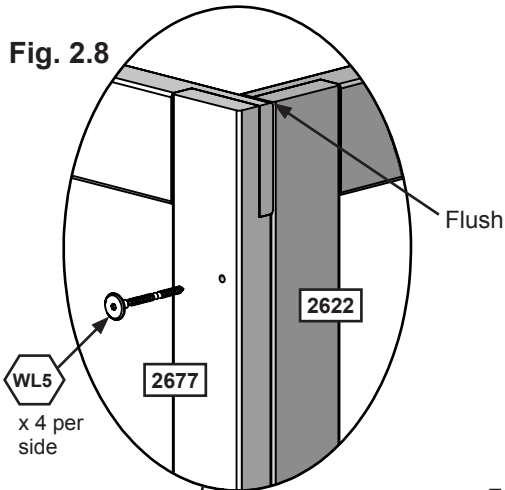
**Hardware**

- 8 x **WL5** 1/4 x 2-1/2" Wafer Lag

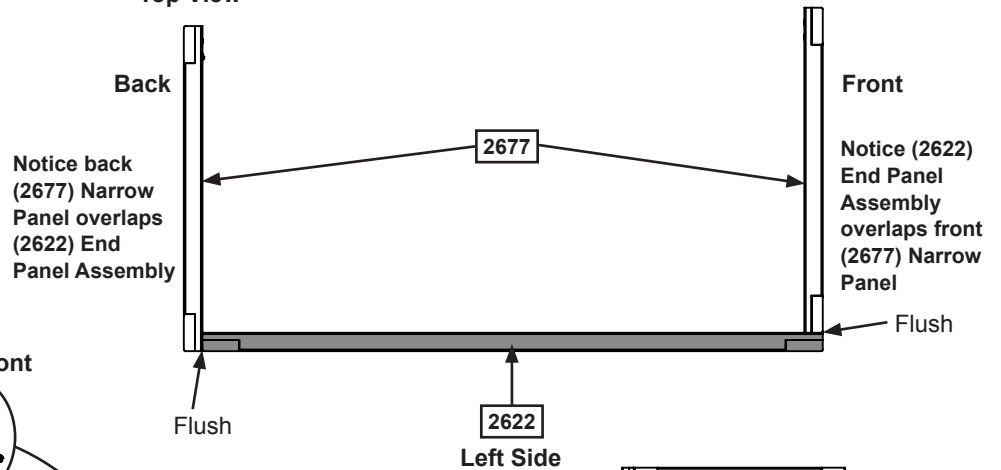
# Step 2: Frame Assembly Part 2



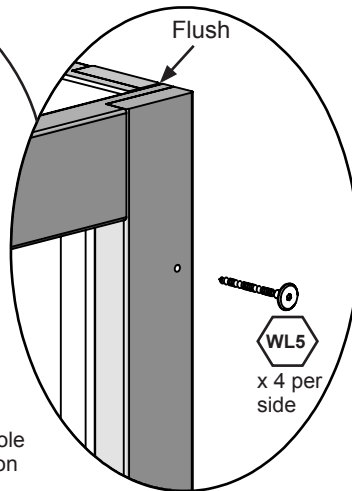
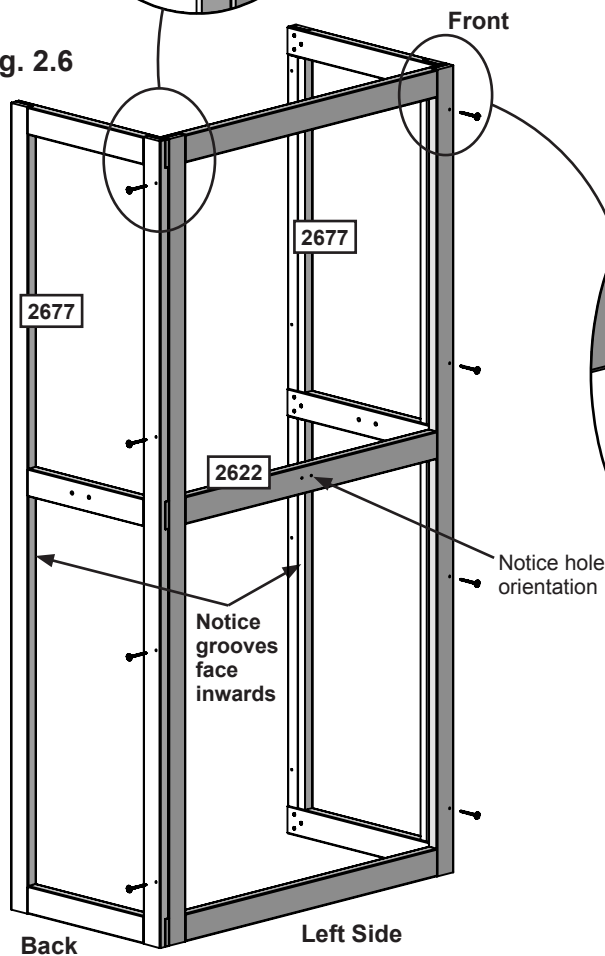
**B:** Place (2622) End Panel Assembly between 2 (2677) Narrow Panels noticing the panel orientations. The tops and bottoms of the panels should be flush. Make sure the panels are square then using the pilot holes as a guide pre-drill with a 1/8" drill bit and fasten the back (2677) Narrow Panel to (2622) End Panel Assembly and (2622) End Panel Assembly to the front (2677) Narrow Panel with 4 (WL5) 1/4 x 2-1/2" Wafer Lags per side. (fig. 2.5, 2.6, 2.7, 2.8, 2.9 and 2.10)



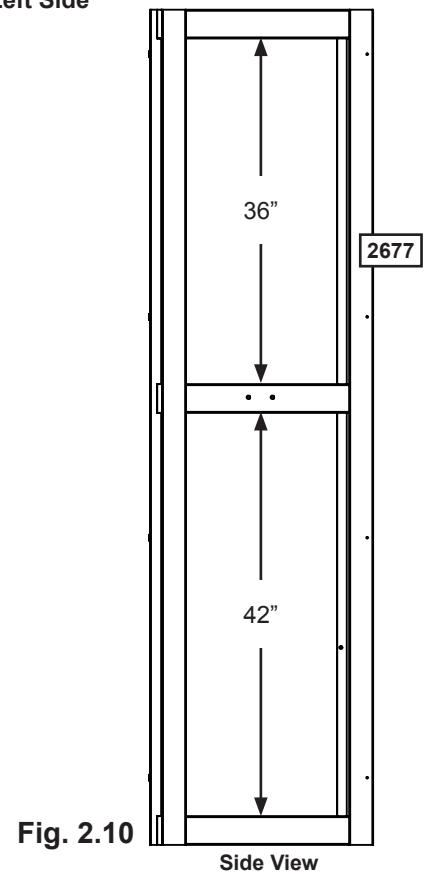
**Fig. 2.7**  
Top View



**Fig. 2.6**



**Fig. 2.9**



**Fig. 2.10**

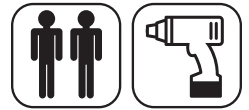
### Wood Parts

- 1 x **2622** End Panel Assembly 1-1/4 x 42 x 87"
- 2 x **2677** Narrow Panel 1-1/4 x 22 x 87"

### Hardware

- 8 x **WL5** 1/4 x 2-1/2" Wafer Lag

# Step 3: Join Frame Assemblies Part 1



**A:** Tight to the inside of the (2622) End Panel Assembly and flush to the bottom of the panels attach 1 (2792) Ground Brace to each (2677) Narrow Panel with 2 (S11) #8 x 2" Wood Screws per board. (fig. 3.1 and 3.2)

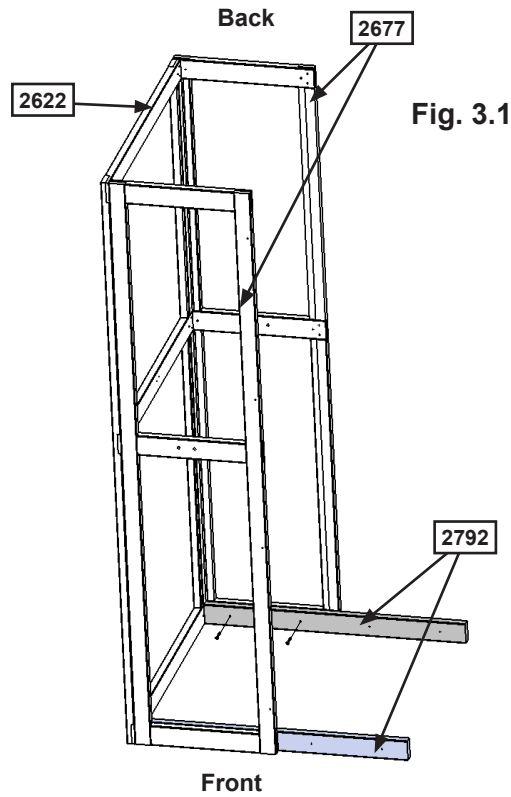


Fig. 3.1

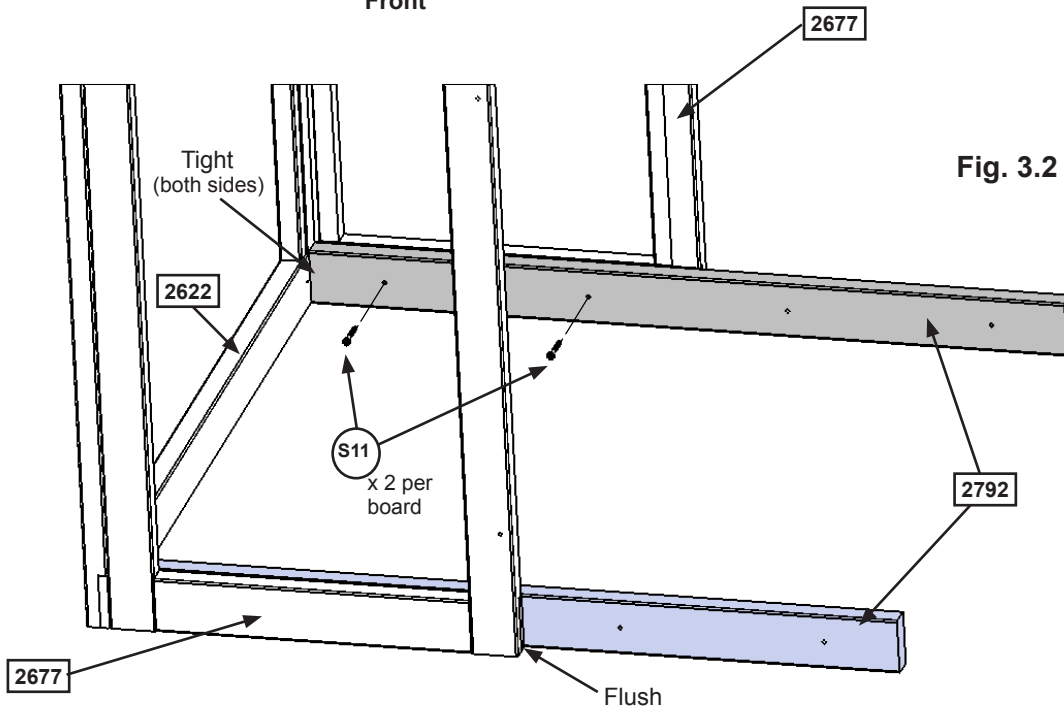


Fig. 3.2

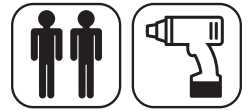
### Wood Parts

2 x **2792** Ground Brace 1-1/4 x 3 x 43-3/4"

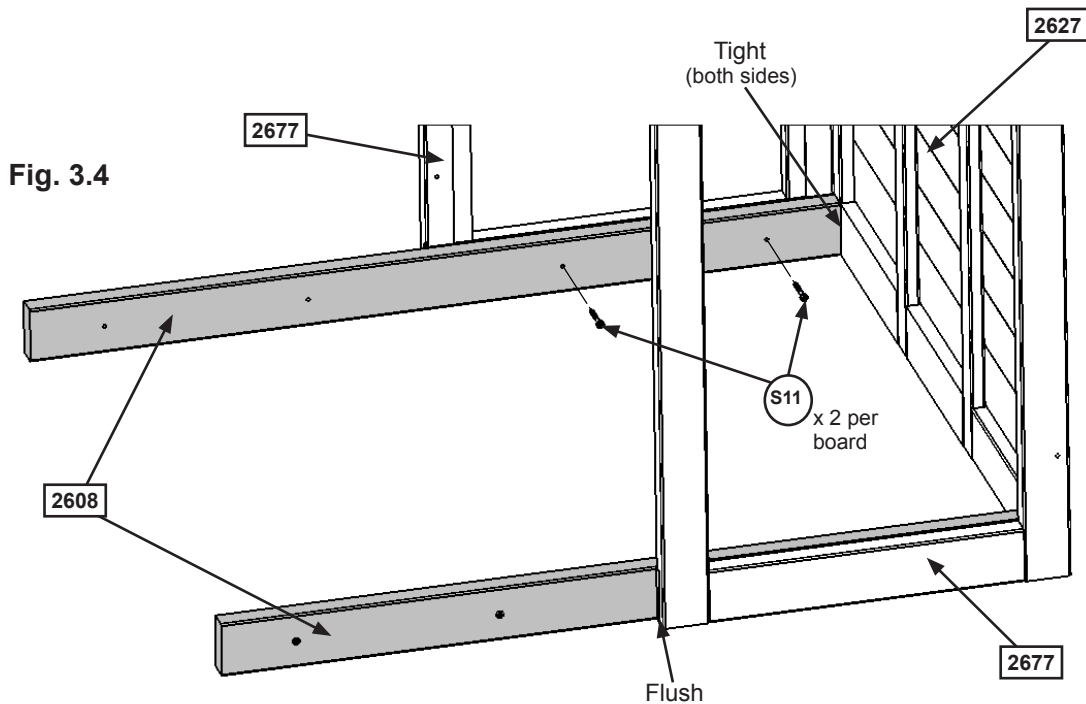
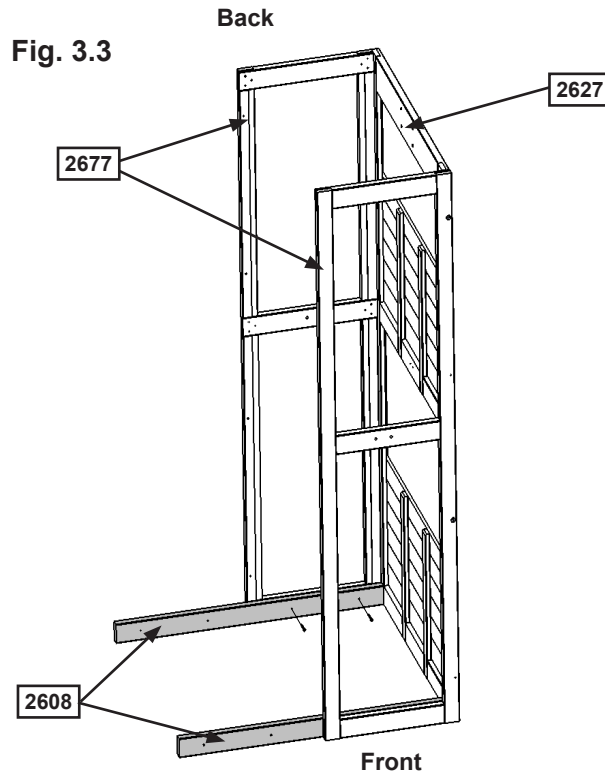
### Hardware

4 x **S11** #8 x 2" Wood Screw

# Step 3: Join Frame Assemblies Part 2



**B:** Tight to the inside of the (2627) SW Wall Panel and flush to the bottom of the panels attach 1 (2608) Floor Joist to each (2677) Narrow Panel with 2 (S11) #8 x 2" Wood Screws per board. (fig. 3.3 and 3.4)



### Wood Parts

2 x **2608** Floor Joist 1-1/4 x 3 x 40-3/4"

### Hardware

4 x **S11** #8 x 2" Wood Screw

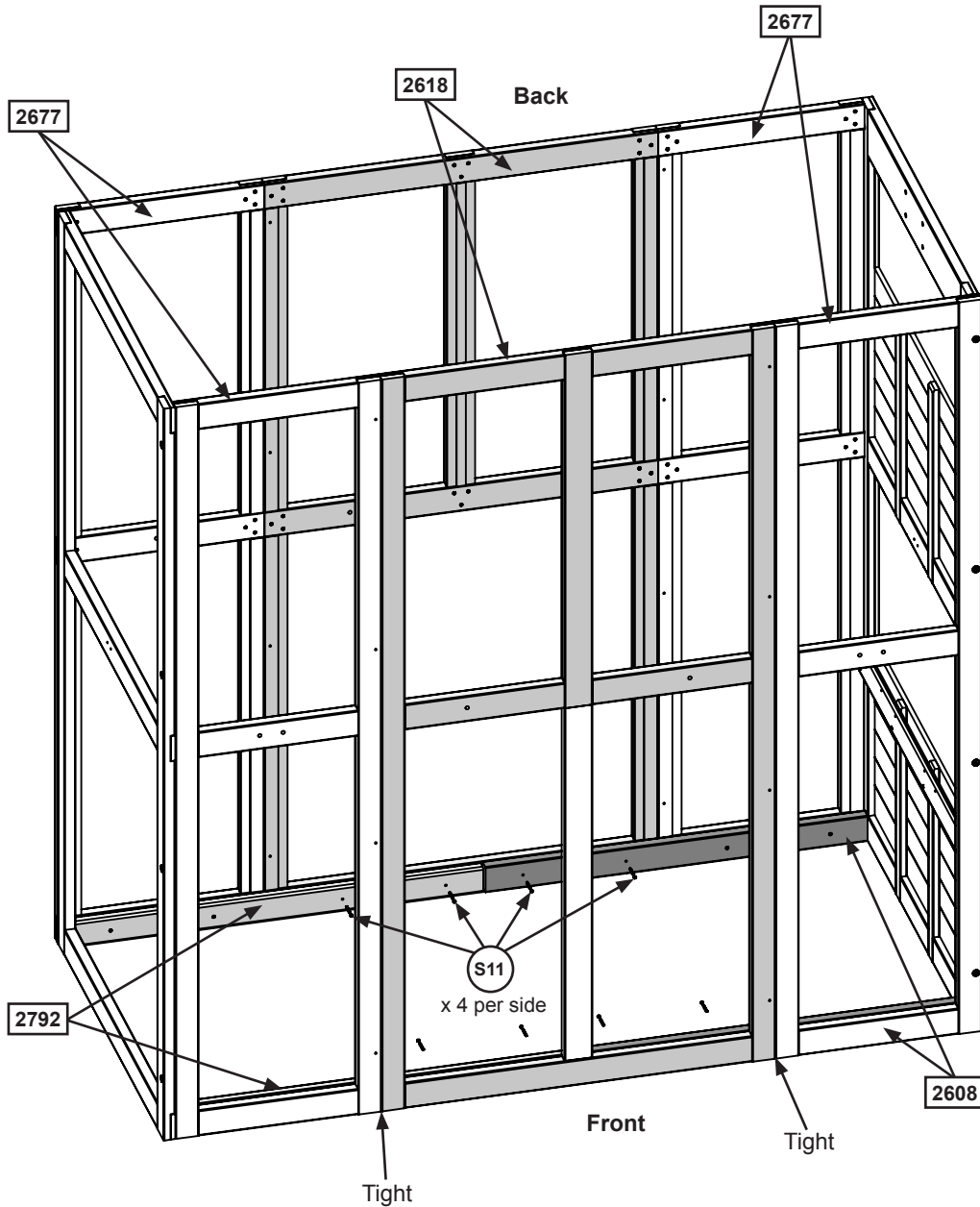
# Step 3: Join Frame Assemblies Part 3



**C:** With at least two helpers lift the two wall assemblies so the (2792) Ground Braces meet the (2608) Floor Joist as shown in fig. 3.5.

**D:** Place 1 (2618) Front Back Panel between the 2 (2677) Narrow Panels on the outside of the (2792) Ground Braces and (2608) Floor Joists on the front and back walls then from the inside of the assembly attach (2792) Ground Braces and (2608) Floor Joists to each (2618) Front Back Panel with 4 (S11) #8 x 2" Wood Screws per panel. (fig. 3.5)

Fig. 3.5



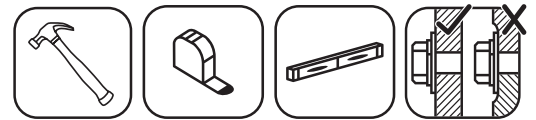
### Wood Parts

2 x Front Back Panel 1-1/4 x 42 x 87"

### Hardware

8 x #8 x 2" Wood Screw

# Step 3: Join Frame Assemblies Part 4

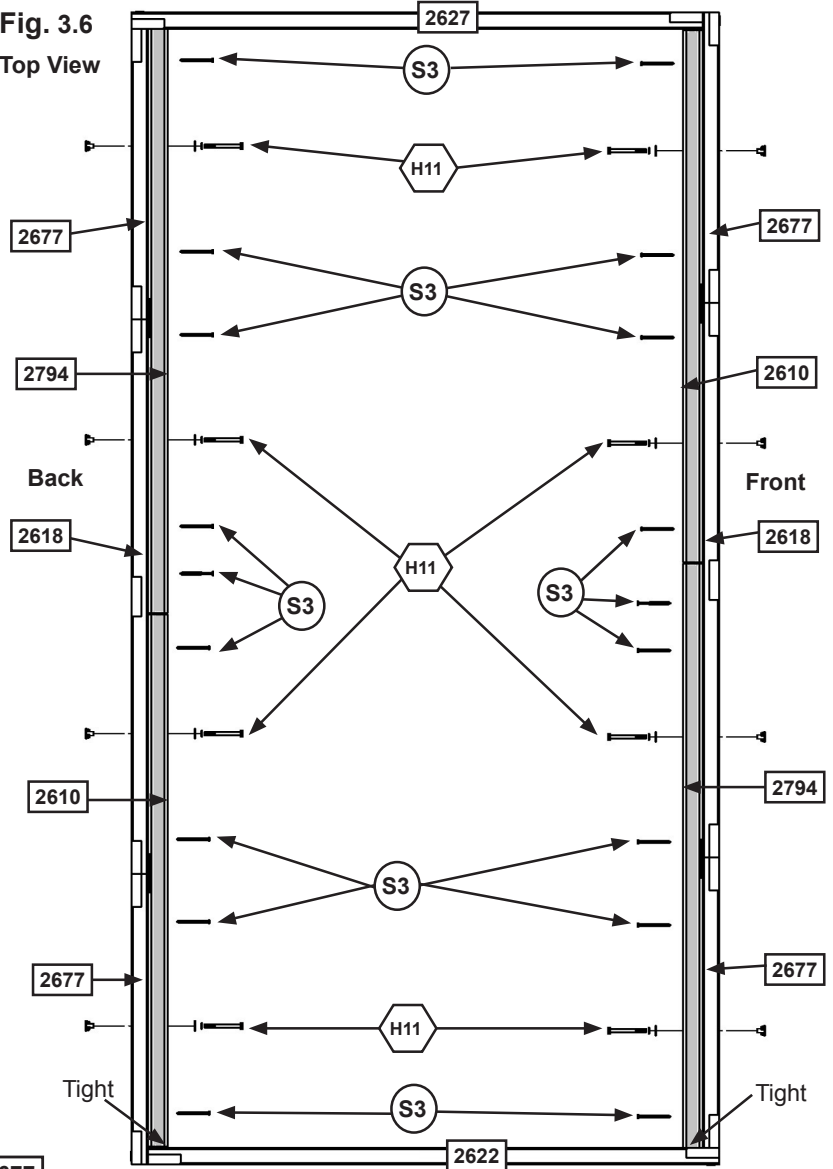


**E:** On the Back Wall, from inside the assembly, tight to (2622) End Panel Assembly, halfway up the assembly attach 1 (2610) Side Joist, 5/8" down from the panel floor, to (2677) Narrow Panel and (2618) Front Back Panel with 2 (H11) 1/4 x 2-3/4" Hex Bolts (with lock washer, flat washer and t-nut). Bolts are installed from inside the assembly. Make sure (2610) Side Joist is level then attach with 4 (S3) #8 x 2-1/2" Wood Screws. (fig. 3.6 and 3.7)

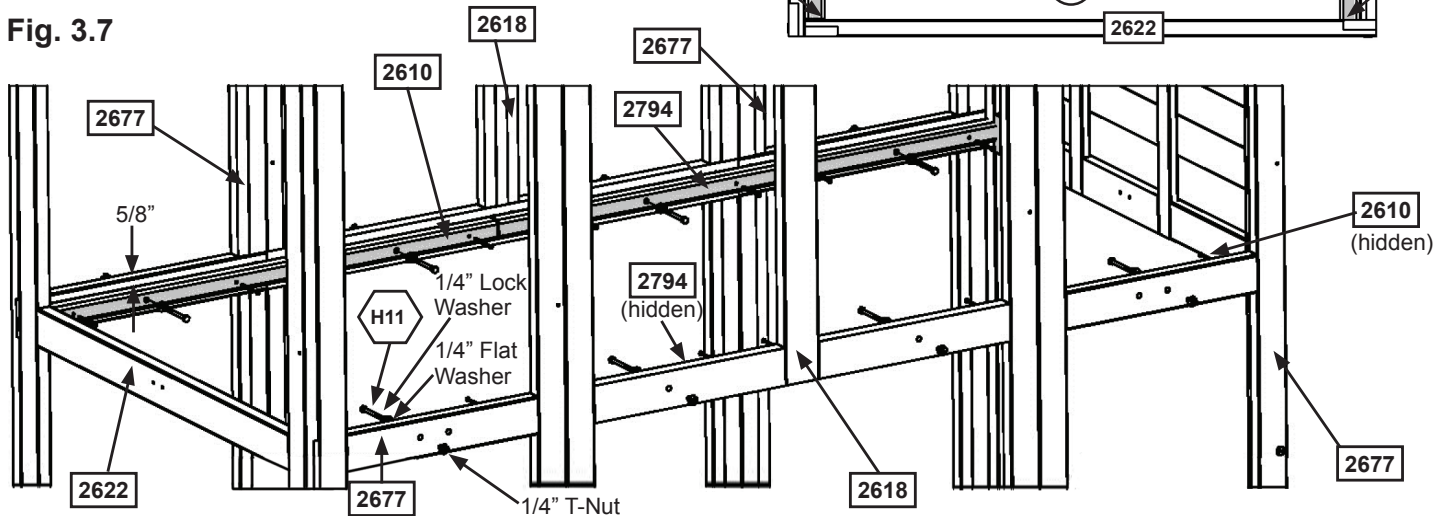
**F:** Tight to (2610) Side Joist attach (2794) Joist, 5/8" down from the panel floor, to (2618) Front Back Panel and (2677) Narrow Panel with 2 (H11) 1/4 x 2-3/4" Hex Bolts (with lock washer, flat washer and t-nut). Bolts are installed from inside the assembly. Make sure (2794) Joist is level and flush to the top of (2610) Side Joist then attach with 5 (S3) #8 x 2-1/2" Wood Screws. (fig. 3.6 and 3.7)

**G:** Repeat E and F for the Front Wall making sure to position (2794) Joist so it is opposite to the back wall. Notice screw and bolt locations. (fig. 3.6 and 3.7)

**Fig. 3.6**  
Top View



**Fig. 3.7**



**Wood Parts**

- 2 x 2610 Side Joist 2 x 2 x 40-1/4"
- 2 x 2794 Joist 2 x 2 x 44-3/8"

**Hardware**

- 18 x S3 #8 x 2-1/2" Wood Screw
- 8 x H11 1/4 x 2-3/4" Hex Bolt  
(1/4" lock washer, 1/4" flat washer, 1/4" t-nut)

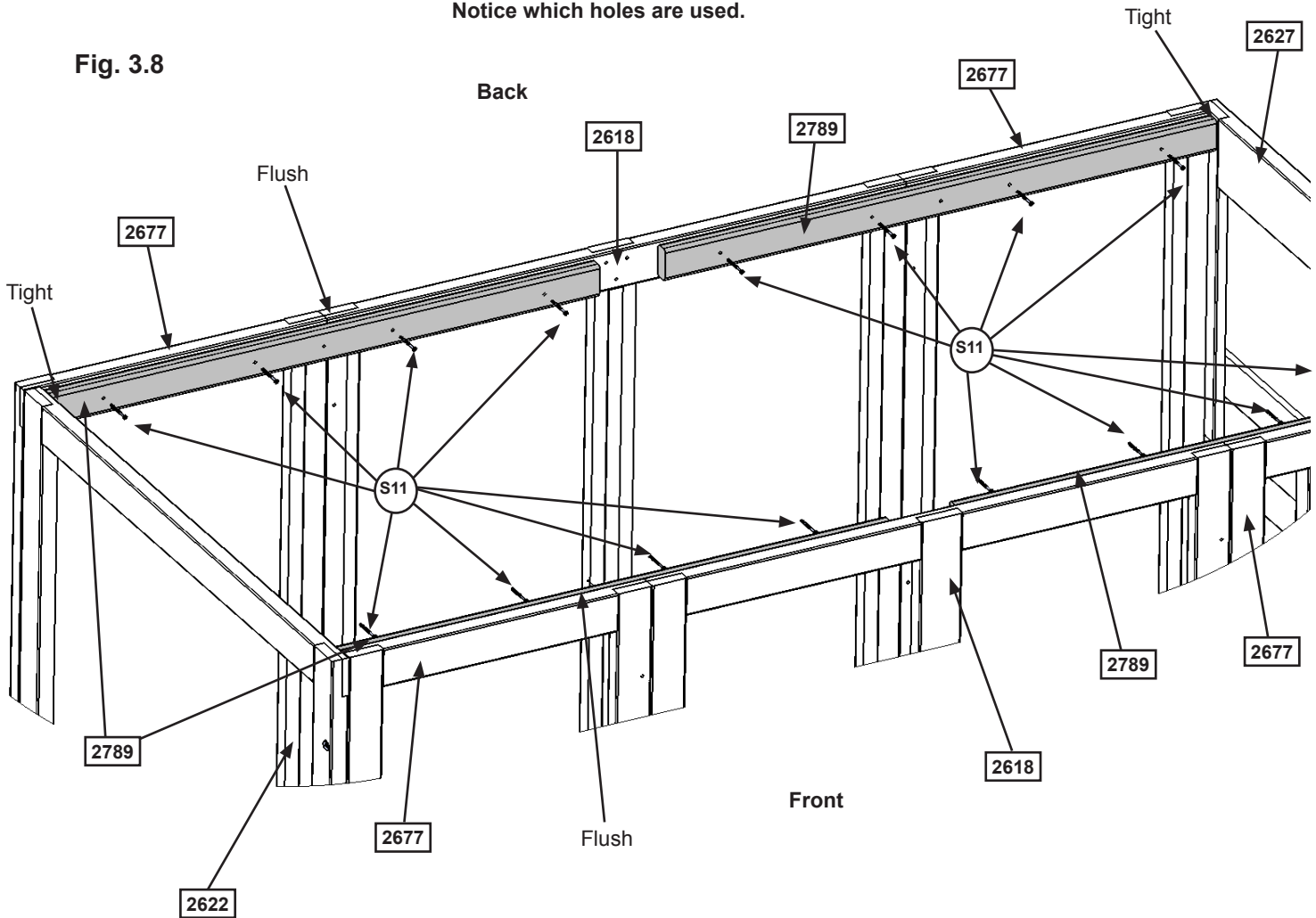
# Step 3: Join Frame Assemblies Part 5



**H:** From inside the assembly, flush to the top of the assembly place 1 (2789) Short Wall Tie tight to each side of (2622) End Panel Assembly and each side of (2627) SW Wall Panel then attach each to (2677) Narrow Panels and (2618) Front Back Panels on both the front and back walls with 4 (S11) #8 x 2" Wood Screws per board. (fig. 3.8)

**Fig. 3.8**

Notice which holes are used.



### Wood Parts

4 x 2789 Short Wall Tie 5/4 x 3 x 40"

### Hardware

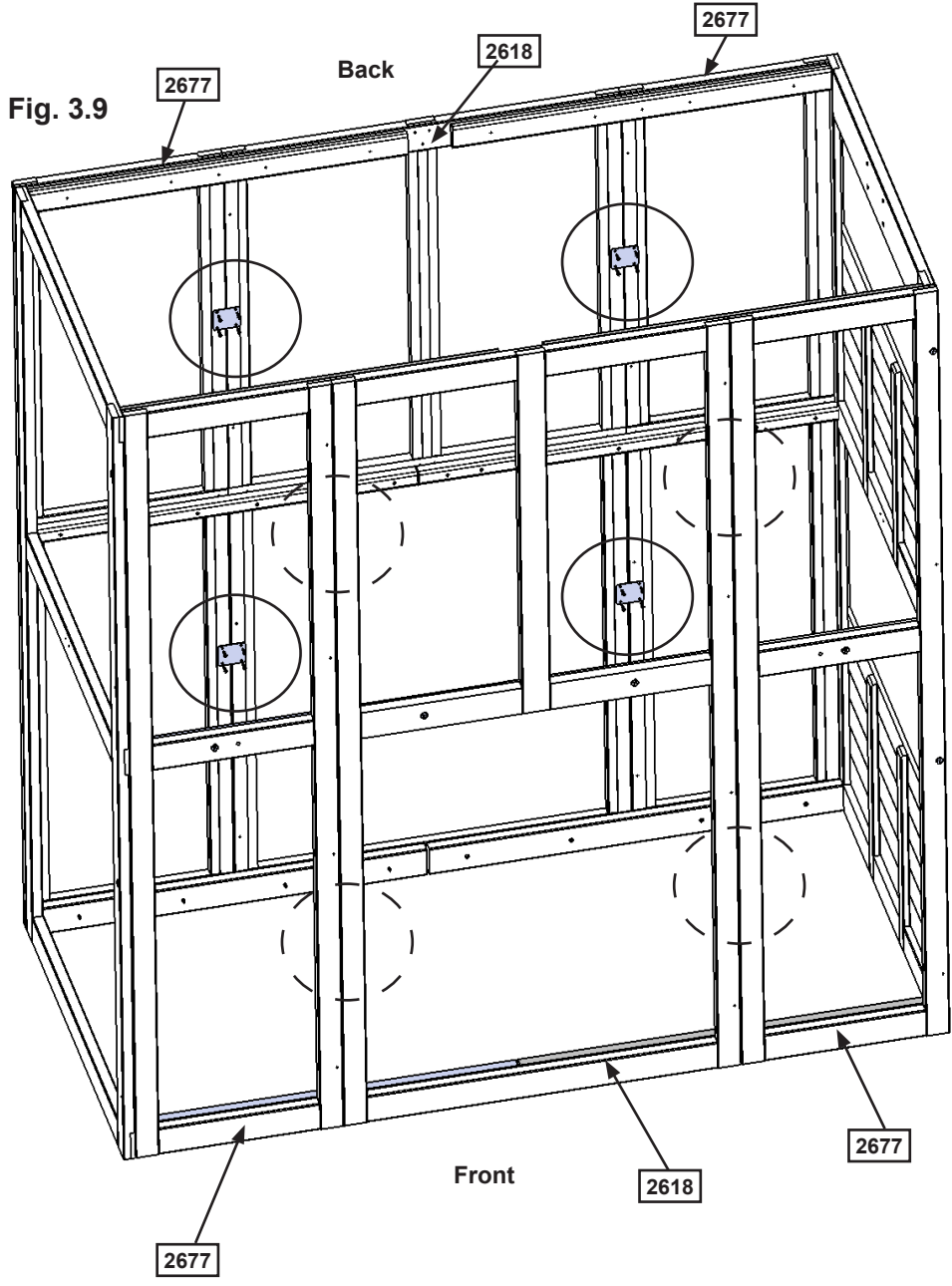
16 x S11 #8 x 2" Wood Screw

# Step 3: Join Frame Assemblies

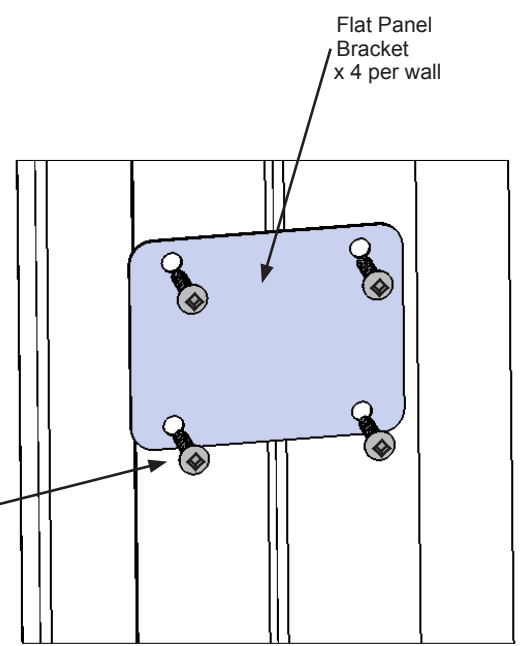
## Part 6




I: On the inside of the assembly attach each (2677) Narrow Panel to (2618) Front Back Panel on both the front and back walls using 4 Flat Panel Brackets per wall in the places shown with 4 (S8) #12 x 3/4" Pan Screws per bracket. (fig. 3.9 and 3.10)



**Fig. 3.10**  
Inside View



**Hardware**

32 x  #12 x 3/4" Pan Screw

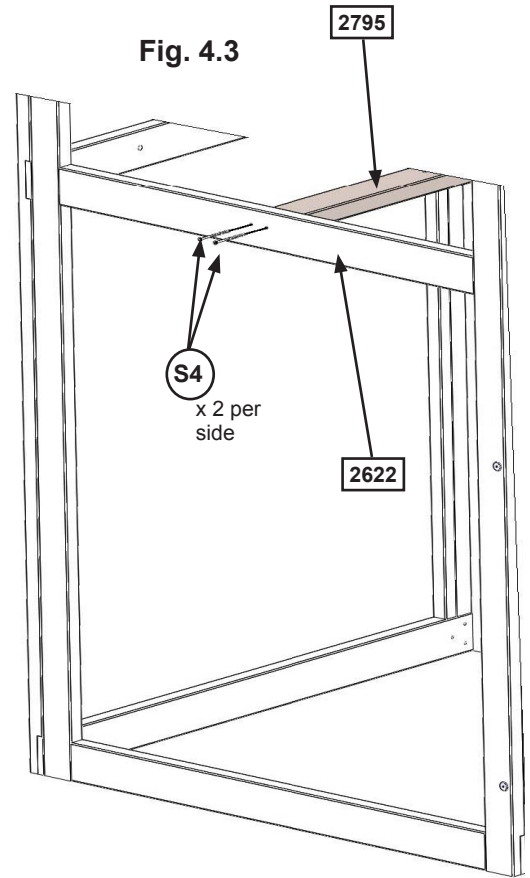
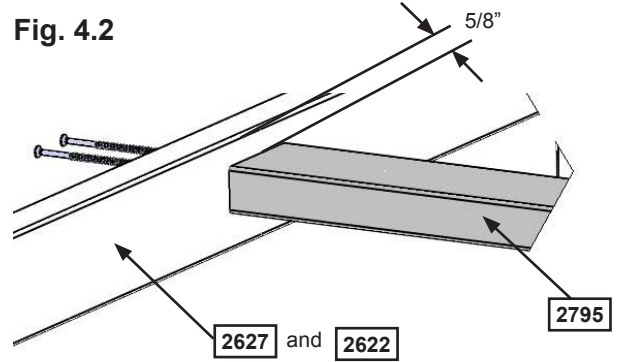
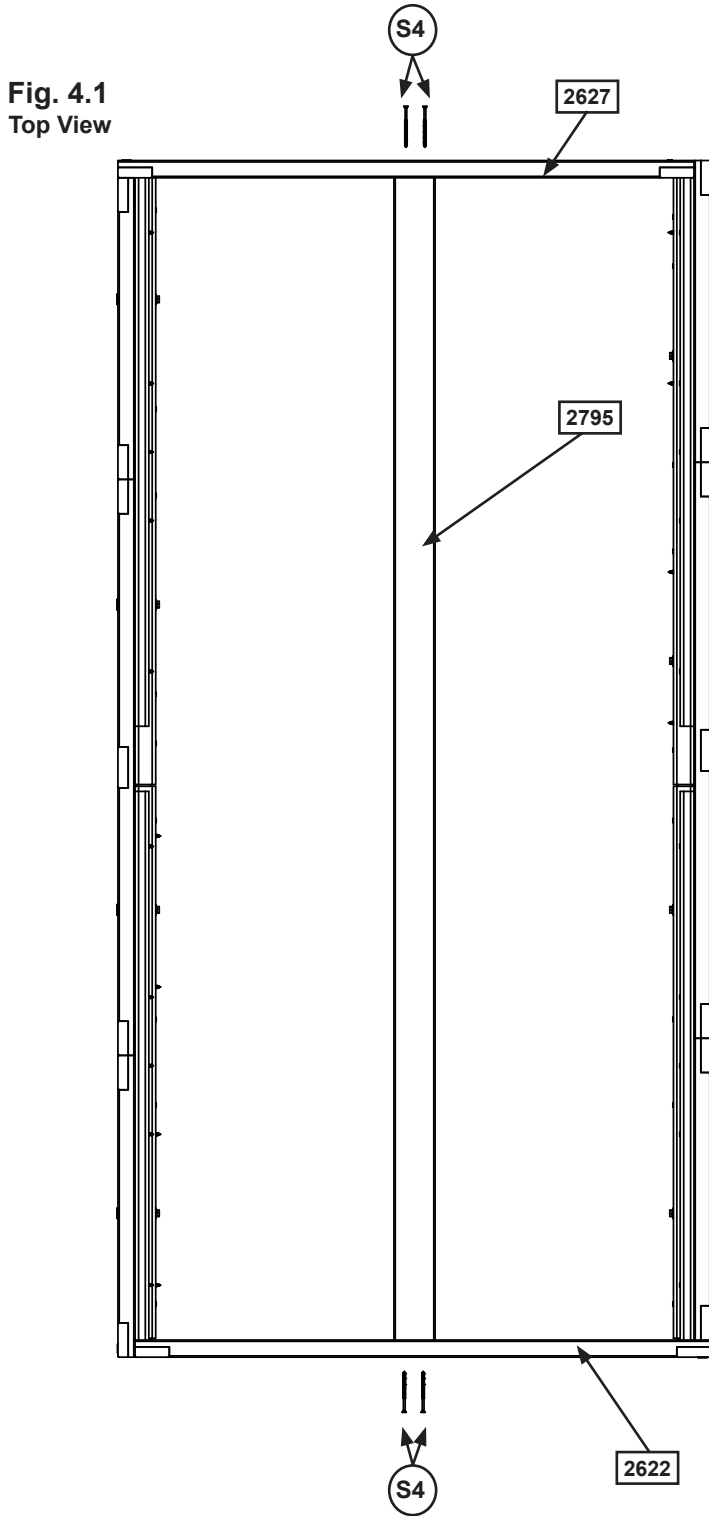
**Other Parts**

8 x Flat Panel Bracket

# Step 4: Floor Assembly Part 1



**A:** From inside of the assembly centre (2795) Long Joist over pilot holes in (2622) End Panel Assembly and (2627) SW Wall Panel, 5/8" down from the top of boards then attach (2795) Long Floor Joist to each panel with 2 (S4) #8 x 3" Wood Screws per end. (fig.4.1, 4.2 and 4.3)



### Wood Parts

1 x 2795 Long Joist 1-1/4 x 3 x 84-3/4"

### Hardware

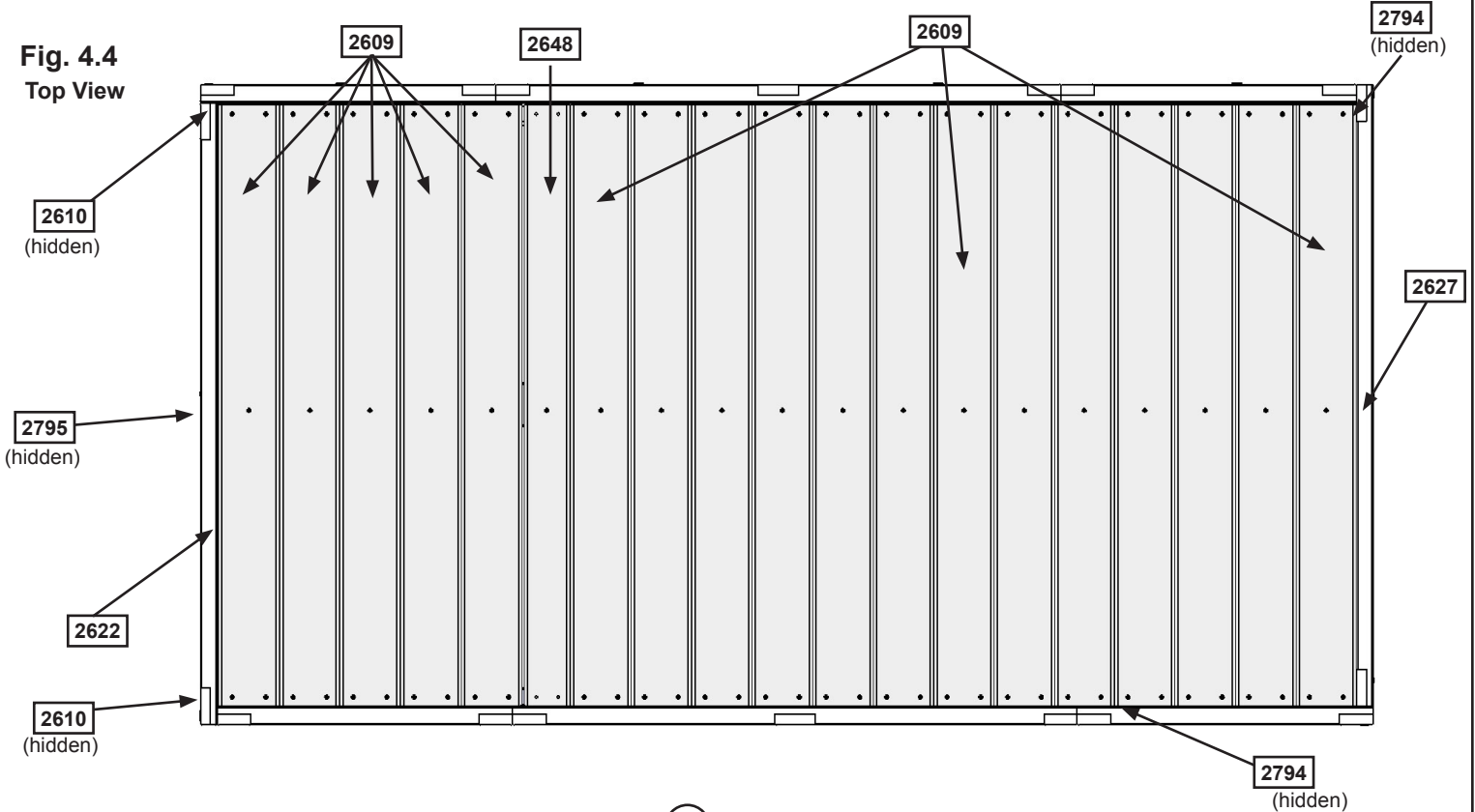
4 x S4 #8 x 3" Wood Screw

# Step 4: Floor Assembly Part 2

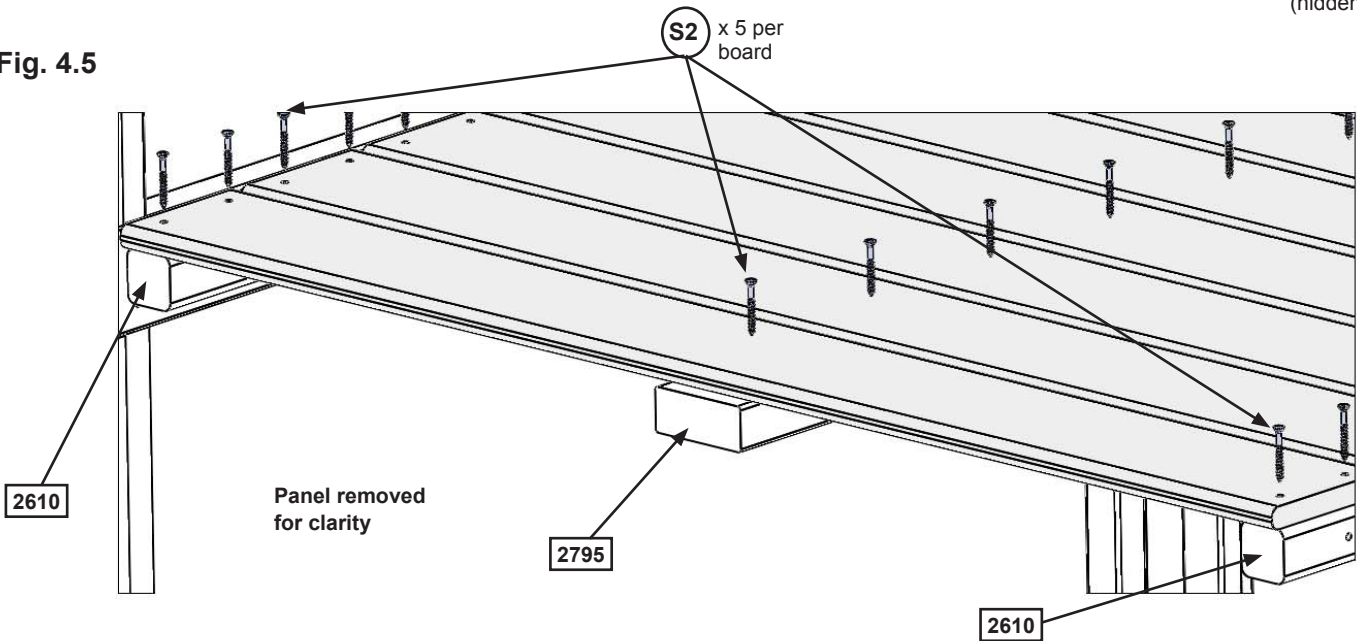


**B:** Starting at (2622) End Panel Assembly place 5 (2609) Floor Boards followed by 1 (2648) Floor Board then the remaining 13 (2609) Floor Boards. Make sure all boards are evenly spaced then attach to (2795) Long Joist and each (2610) Side Joist and (2794) Joist with 5 (S2) #8 x 1-1/2" Wood Screws per board. (fig. 4.4 and 4.5)

**Fig. 4.4**  
Top View



**Fig. 4.5**



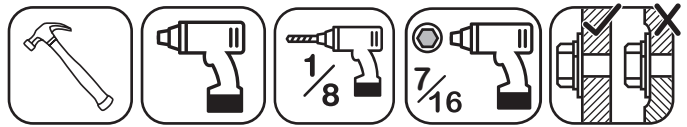
### Wood Parts

- 1 x 2648 Floor Board 1 x 4 x 40-5/8"
- 18 x 2609 Floor Board 1 x 5 x 40-5/8"

### Hardware

- 95 x S2 #8 x 1-1/2" Wood Screw

# Step 5: Attach SW Ground and Diagonal



**A:** Loosely attach 1 (2606) SW Ground to each (2607) Diagonal with 1 (H10) 1/4 x 2-1/4" Hex Bolt (with lock washer, flat washer and t-nut) per board then place each (2607) Diagonal tight and flush to the front of (2627) SW Wall Panel. (2606) SW Grounds to be flush to the bottom of (2627) SW Wall Panel. (fig. 5.1 and 5.2)

**B:** Pre-drill pilot hole with a 1/8" drill bit then attach each (2607) Diagonal to (2627) SW Wall Panel with 1 (LS3) 1/4 x 3" Lag Screw (with flat washer) per board, checking that they remain flush to outside edge. (fig. 5.1 and 5.2)

**C:** Make sure bottom of each (2606) SW Ground is flush to bottom of (2627) SW Wall Panel then attach with 2 (S11) #8 x 2" Wood Screws and 1 (S4) #8 x 3" Wood Screw per board. Tighten all bolts. (fig. 5.1 and 5.2)

Fig. 5.1

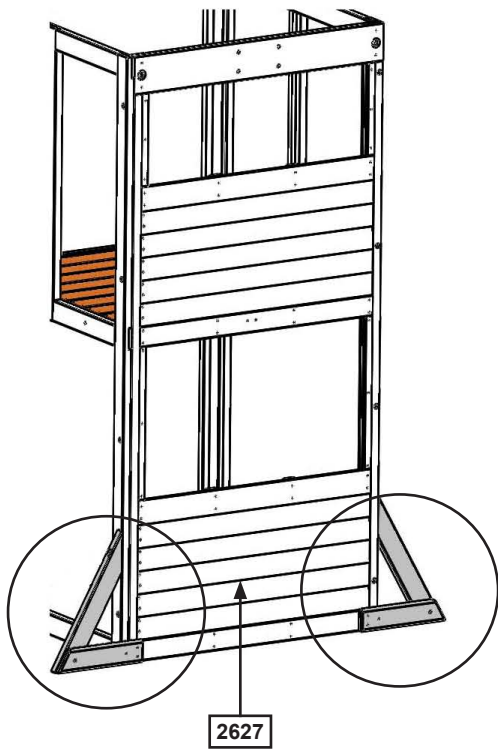
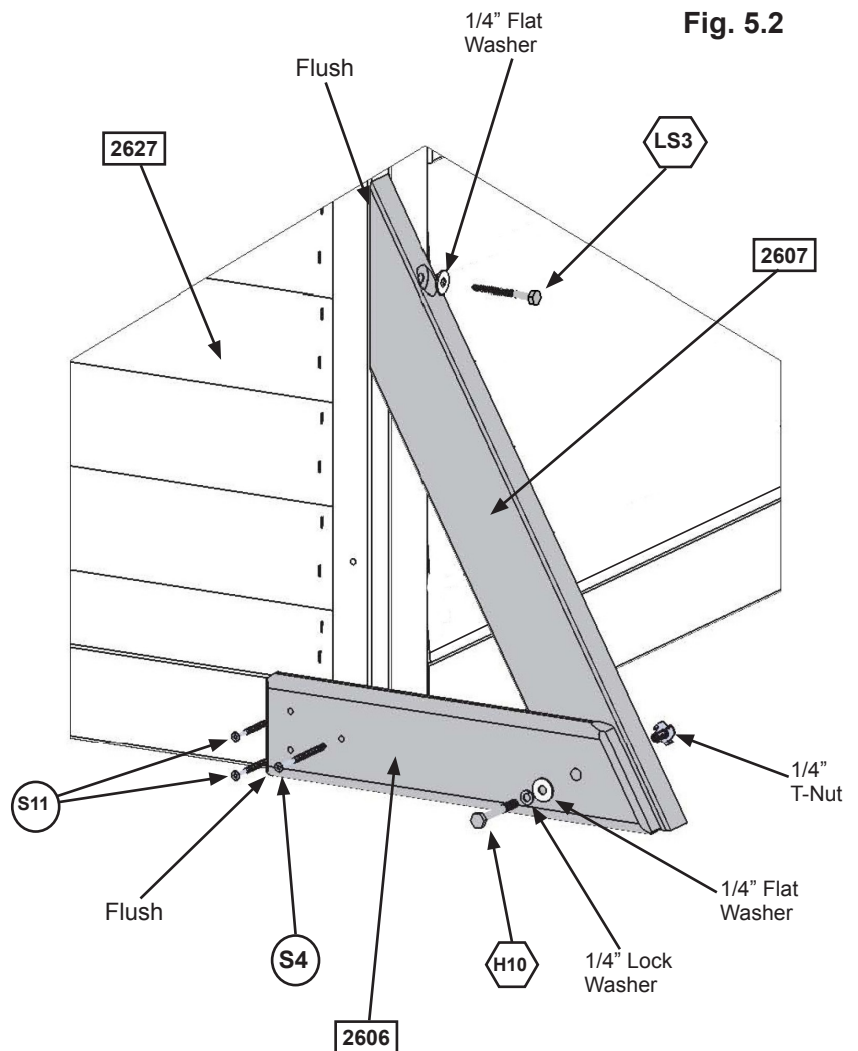


Fig. 5.2



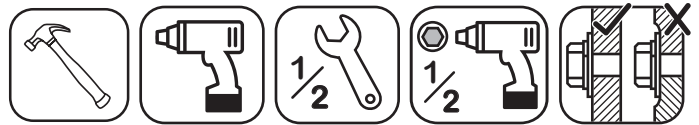
### Wood Parts

- 2 x 2606 SW Ground 5/4 x 4 x 14-1/4"
- 2 x 2607 Diagonal 1-1/4 x 3 x 22"

### Hardware

- 2 x H10 1/4 x 2-1/4" Hex Bolt (1/4" lock washer, 1/4" flat washer, 1/4" t-nut)
- 2 x LS3 1/4 x 3" Lag Screw (1/4" flat washer)
- 2 x S4 #8 x 3" Wood Screw
- 4 x S11 #8 x 2" Wood Screw

# Step 6: Swing Beam Assembly



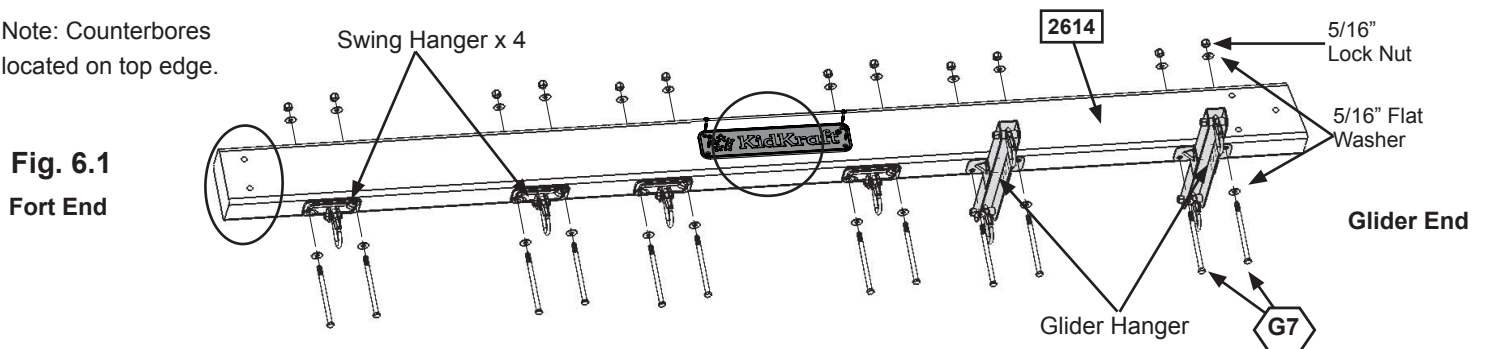
**A:** Attach 4 Swing Hangers to Fort End of (2614) Engineered Beam and 2 Glider Hangers to the Glider End using 2 (G7) 5/16 x 5-1/2" Hex Bolts (with 2 flat washers and 1 lock nut) per Swing Hanger and Glider Hanger, as shown in fig. 6.1.

**B:** Flush to the Fort End of (2614) Engineered Beam attach 2 L-Beam Brackets with 2 (G21) 5/16 x 3-3/4" Hex Bolts (with 2 flat washers and 1 lock nut). (fig. 6.2)

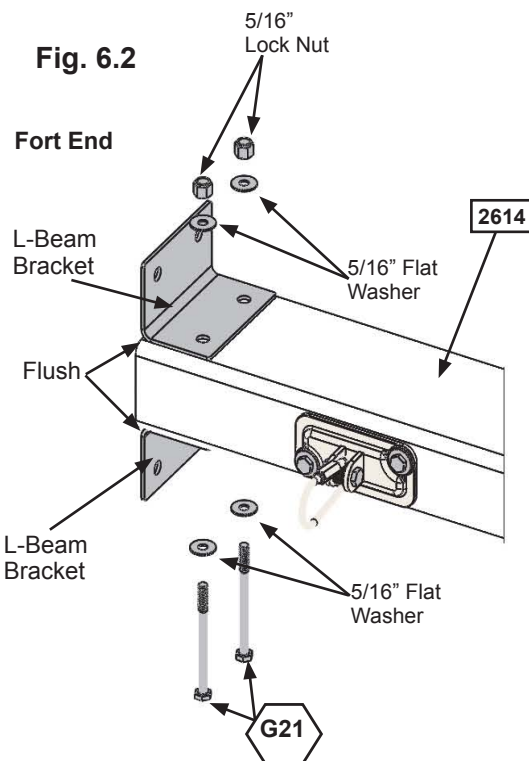
**C:** Install 1 (WB7) 5/16 x 3" Wafer Bolt (with flat washer and t-nut) in the middle bolt hole in (2614) Engineered Beam as shown in fig. 6.3. **IT IS IMPORTANT THAT THIS BOLT IS ATTACHED. IT WILL MINIMIZE CHECKING OF WOOD.**

**D:** Attach KidKraft Plaque to centre of (2614) Engineered Beam (over top of t-nut) using 4 (S18) #6 x 1" Wood Screws. (fig. 6.4)

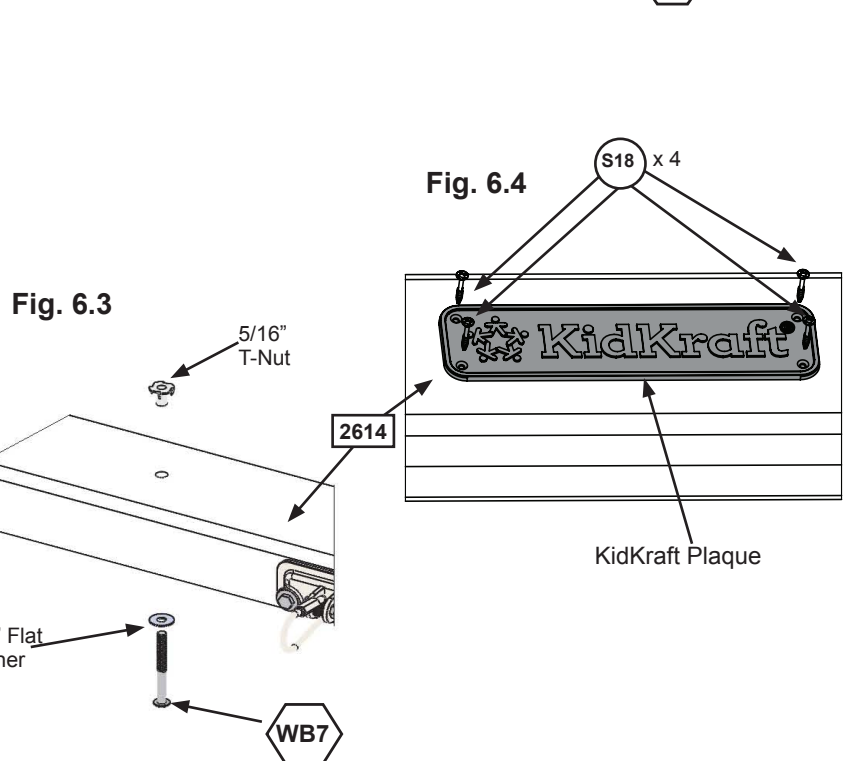
Note: Counterbores located on top edge.



**Fig. 6.1**  
Fort End



**Fig. 6.2**



**Fig. 6.3**

**Fig. 6.4**

### Wood Parts

1 x **2614** Engineered Beam 4 x 6 x 88"

### Hardware

12 x **G7** 5/16 x 5-1/2" Hex Bolt (5/16" flat washer x 2, 5/16" lock nut)

2 x **G21** 5/16 x 3-3/4" Hex Bolt (5/16" flat washer x 2, 5/16" lock nut)

1 x **WB7** 5/16 x 3" Wafer Bolt (5/16" flat washer & 5/16" t-nut)

4 x **S18** #6 x 1" Wood Screw

### Other Parts

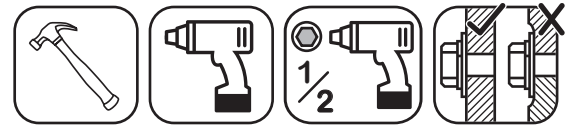
4 x Swing Hangers

2 x Glider Hanger

2 x L-Beam Bracket

1 x KidKraft Plaque

# Step 7: Swing End Assembly

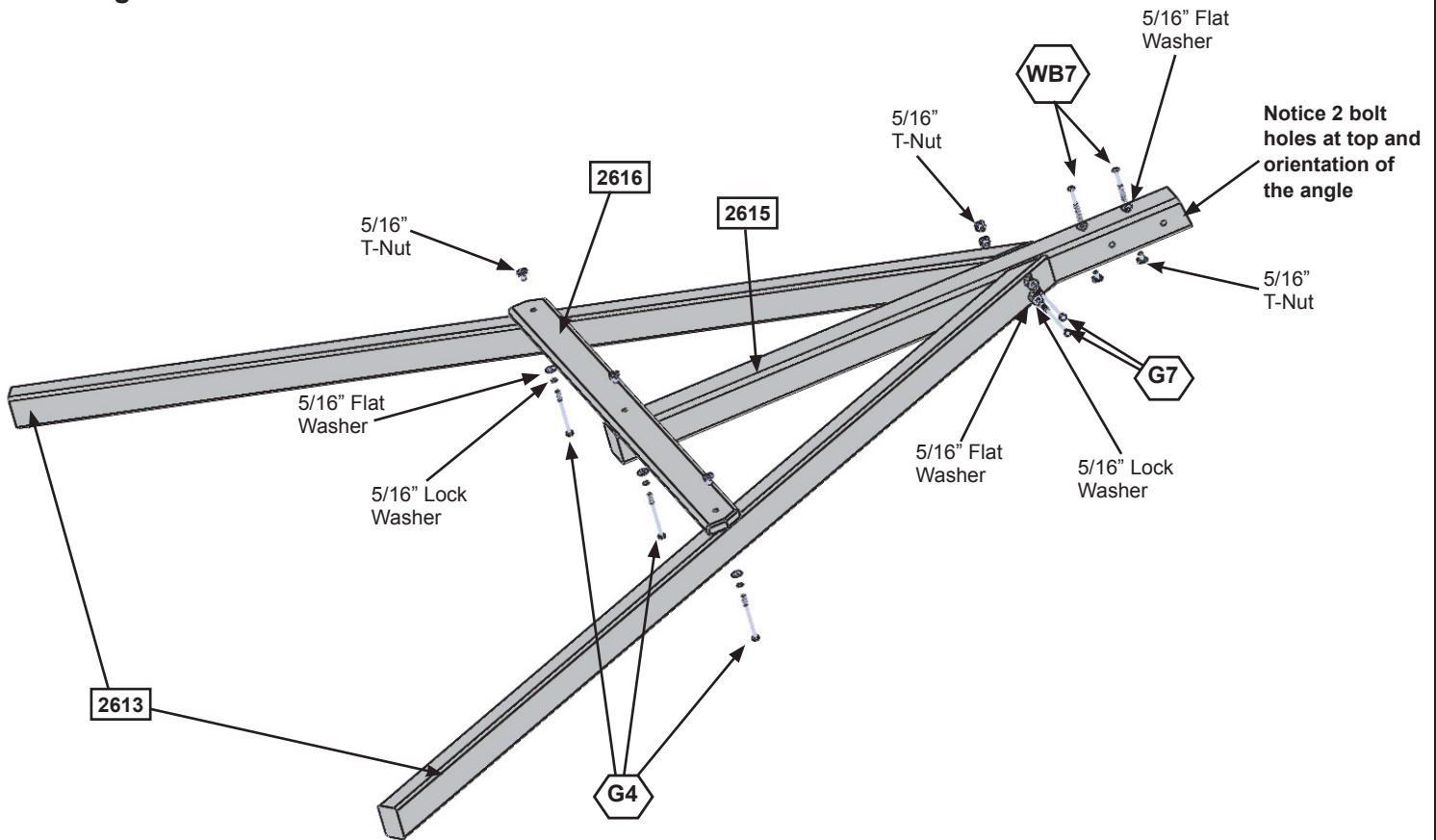


**A:** Loosely attach 2 (2613) Heavy SW Posts to (2615) SW Upright using 2 (G7) 5/16 x 5-1/2" Hex Bolts (with lock washer, flat washer and t-nut). Notice 2 bolt holes at top of (2615) SW Upright and orientation of angle. (fig. 7.1)

**B:** Attach (2616) SW Support to both (2613) Heavy SW Posts and (2615) SW Upright using 3 (G4) 5/16 x 4" Hex Bolts (with lock washer, flat washer and t-nut). Tighten all bolts (fig. 7.1)

**C:** Install 2 (WB7) 5/16 x 3" Wafer Bolts (with flat washer and t-nut) in the top bolt holes in (2615) SW Upright as shown in fig. 7.1. **IT IS IMPORTANT THAT THESE BOLTS ARE ATTACHED. THEY WILL MINIMIZE CHECKING OF WOOD.**

Fig. 7.1



### Wood Parts

- 2 x 2613 Heavy SW Post 2 x 3 x 86-11/16"
- 1 x 2615 SW Upright 4 x 4 x 50-15/16"
- 1 x 2616 SW Support 5/4 x 4 x 46-1/2"

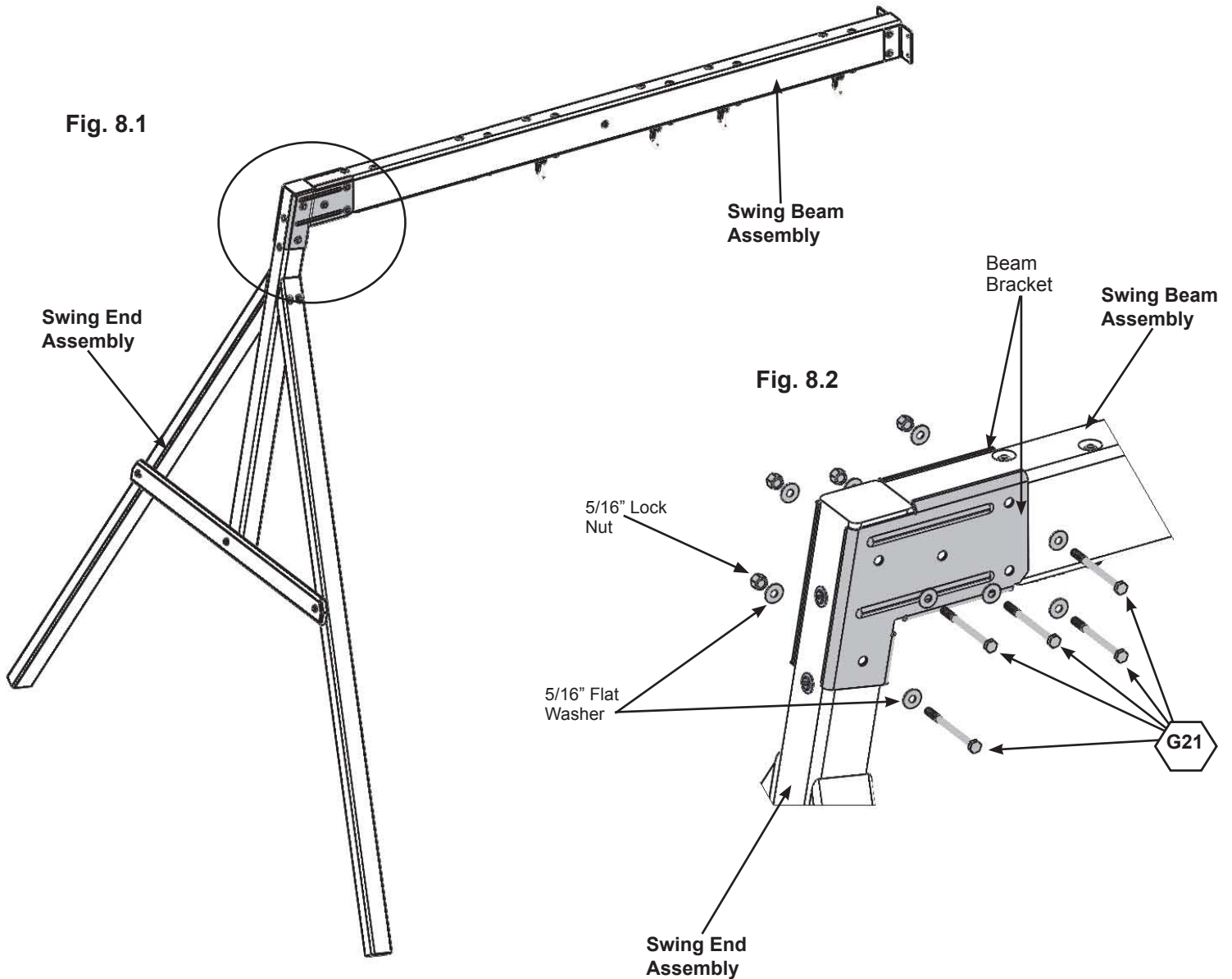
### Hardware

- 2 x G7 5/16 x 5-1/2" Hex Bolt (5/16" lock washer, 5/16" flat washer, 5/16" t-nut)
- 3 x G4 5/16 x 4" Hex Bolt (5/16" lock washer, 5/16" flat washer, 5/16" t-nut)
- 2 x WB7 5/16 x 3" Wafer Bolt (5/16" flat washer & 5/16" t-nut)

# Step 8: Attach Swing End to Swing Beam



**A:** Place Swing End Assembly against Swing Beam Assembly then place 1 Beam Bracket on each side of the assembly (they are specific for left and right side) and attach with 5 (G21) 5/16 x 3-3/4" Hex Bolts (with 2 flat washers and 1 lock nut). (fig. 8.1 and 8.2)



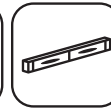
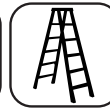
### Hardware

5 x  5/16 x 3-3/4" Hex Bolt  
(5/16" flat washer x 2, 5/16" lock nut)

### Other Parts

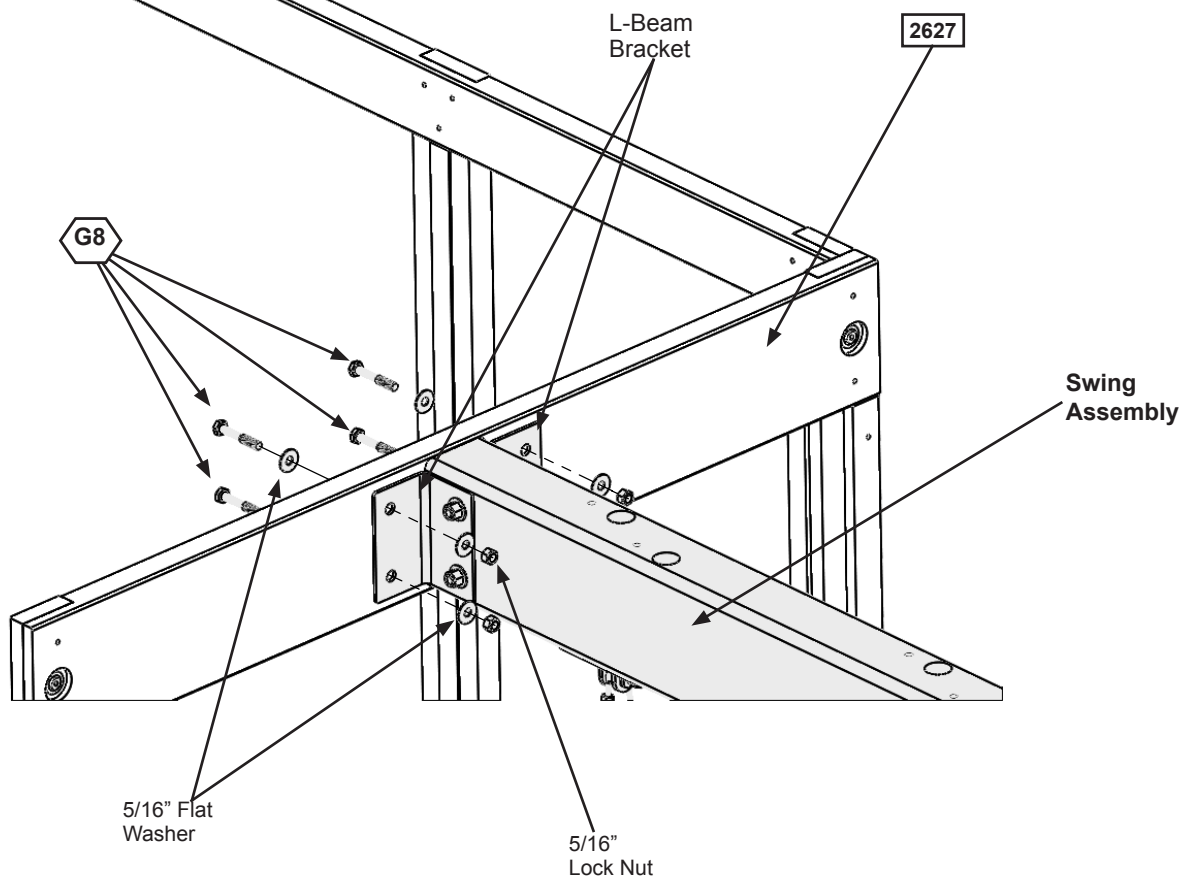
2 x Beam Bracket (Left/Right)

## Step 9: Attach Swing Assembly To Fort




**A:** Place Swing Assembly against top of (2627) SW Wall Panel, make sure assembly is level then attach from inside the fort assembly into each L-Beam Bracket with 4 (G8) 5/16 x 2" Hex Bolts (with 2 flat washers and 1 lock nut). (fig. 9.1)

**Fig. 9.1**



### Hardware

4 x  5/16 x 2" Hex Bolt  
(5/16" flat washer x 2, 5/16" lock nut)

# Step 10: Install Ground Stakes



## MOVE FORT TO FINAL LOCATION PRIOR TO STAKING FINAL LOCATION MUST BE LEVEL GROUND

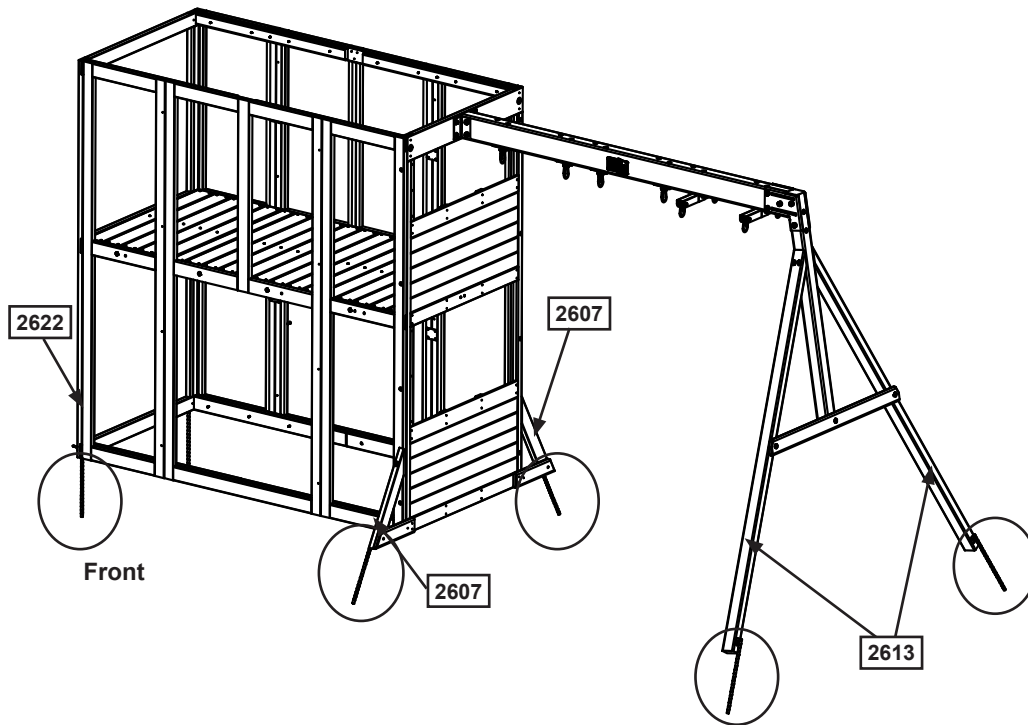
**A:** In the 5 places shown in fig. 10.1 drive the Rebar Ground Stakes 13" into the ground against outside front corner of (2622) End Panel Assembly, on both (2607) Diagonals and both (2613) Heavy SW Posts. Be careful not to hit the washer while hammering stakes into the ground as this could cause the washer to break off.

**B:** Attach ground stakes using 1 (S7) #12 x 2" Pan Screw per ground stake (fig. 10.2 and 10.3).

**C:** After driving stakes into the ground, check for sharp edges caused by the impact of the hammer. Smooth any sharp edges from impact area and touch up with outdoor paint.

**⚠ Warning!** To prevent tipping and avoid potential injury, stakes must be driven 13" into ground. Digging or driving stakes can be dangerous if you do not check first for under-ground wiring, cables or gas lines.

Fig. 10.1



SEE FORT GUIDE SHEETS  
FOR SAFETY CLEARANCE

Fig. 10.2

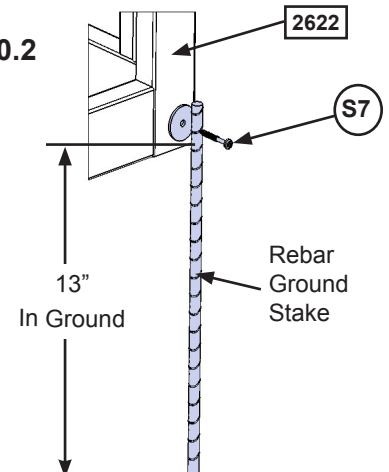
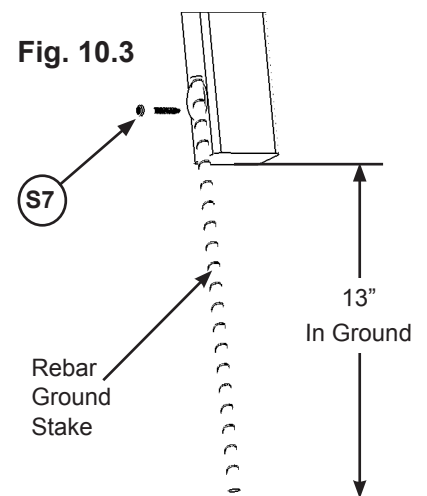


Fig. 10.3



### Hardware

5 x (S7) #12 x 2" Pan Screw

### Other Parts

5 x Rebar Ground Stake

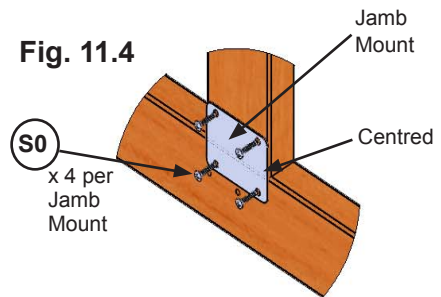
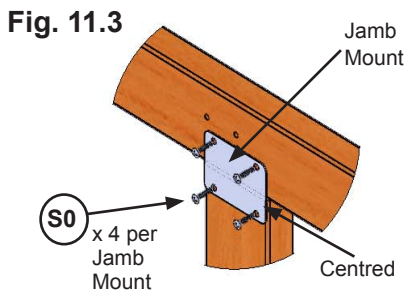
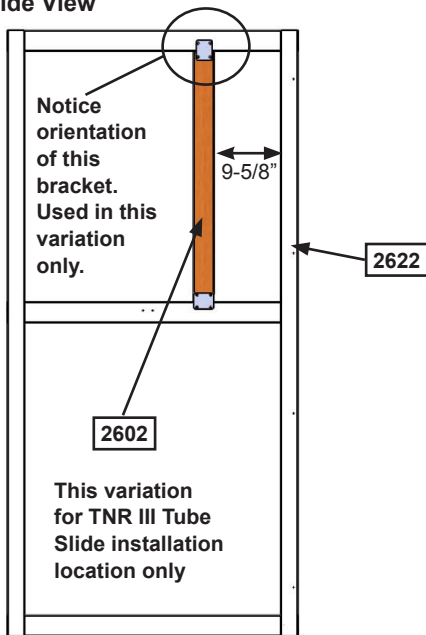
# Step 11: Install Upper and Lower Jambs



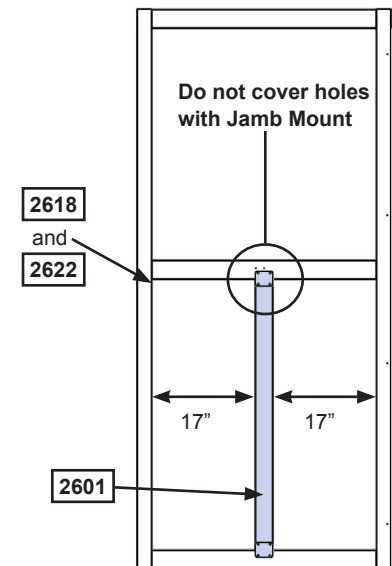
**A:** In the upper opening of (2622) End Panel Assembly place 1 (2602) Upper Jamb so it measures 9-5/8" to the inside of the right post then attach with 2 Jamb Mounts using 4 (S0) #8 x 7/8" Truss Screws per mount. (fig. 11.1, 11.3, 11.4 and 11.5)

**B:** In the lower opening of (2622) End Panel Assembly and the front (2618) Front Back Panel place 1 (2601) Lower Jamb so it measures 17" to the inside of each post then attach each (2601) Lower Jamb with 2 Jamb Mounts using 4 (S0) #8 x 7/8" Truss Screws per mount. (fig. 11.2, 11.3, 11.4 and 11.5).

**Fig. 11.1**  
Outside View

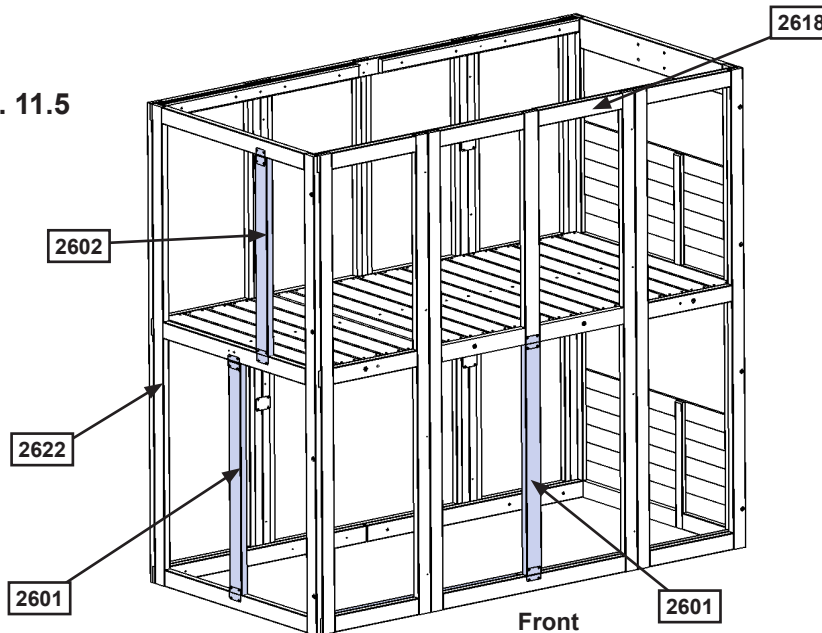


**Fig. 11.2**  
Outside View



**Fig. 11.5**

Grooves to the inside



**Wood Parts**

- 1 x 2602 Upper Jamb 1-1/4 x 3 x 35-15/16"
- 2 x 2601 Lower Jamb 1-1/4 x 3 x 41-15/16"

**Hardware**

- 24 x S0 #8 x 7/8" Truss Screw

**Other Parts**

- 6 x Jamb Mount

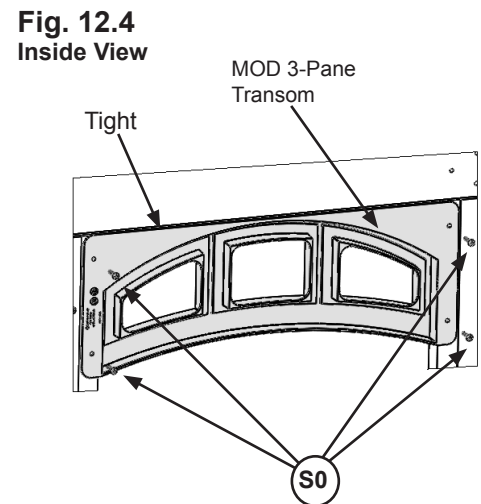
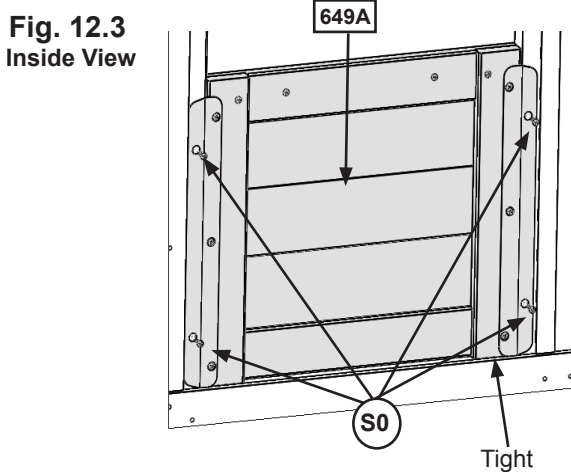
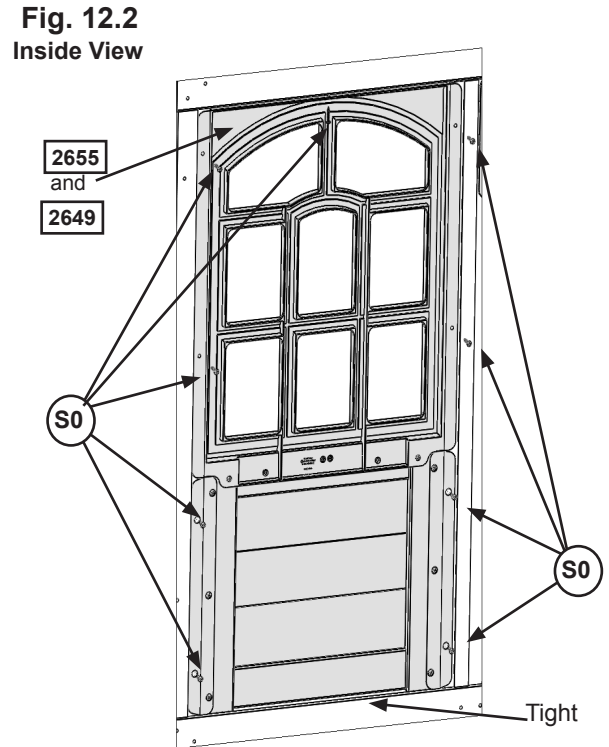
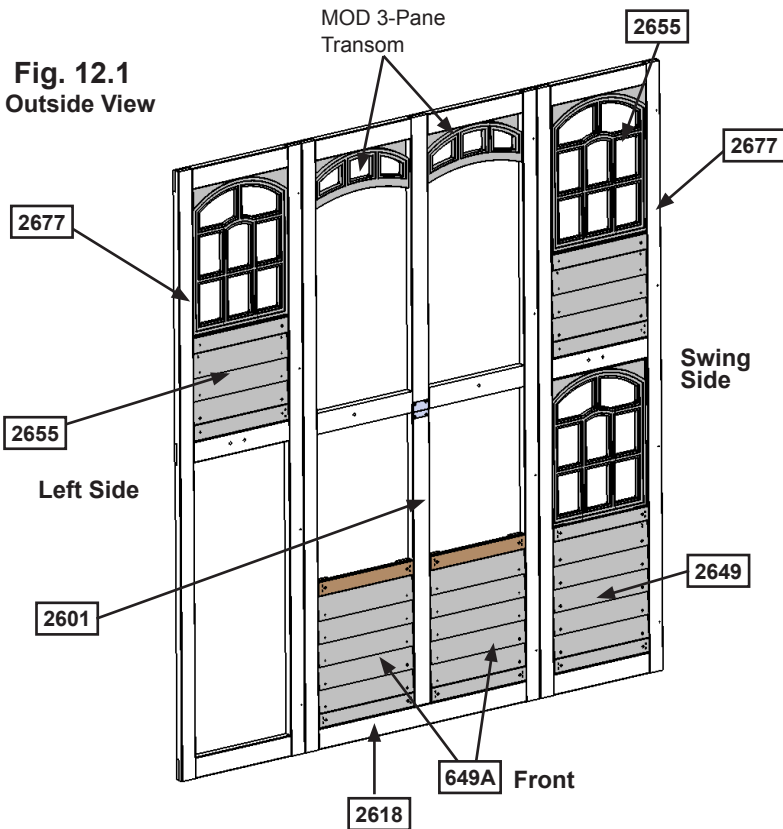
# Step 12: Install Window and Wall Inserts

## Part 1 - Front Wall



**A:** On the Front of the assembly, in the openings of the (2677) Narrow Panels install 2 (2655) Upper Window Inserts in the upper openings and 1 (2649) Lower Window Insert in the lower opening on the Swing Side using 9 (S0) #8 x 7/8" Truss Screws per insert. (fig. 12.1 and 12.2)

**B:** On the Front of the assembly in the openings of the (2618) Front Back Panel install 2 (649A) Short Half Walls in the lower openings and 2 MOD 3-Pane Transoms in the upper openings with 4 (S0) #8 x 7/8" Truss Screws per insert. (fig. 12.1, 12.3 and 12.4)



### Wood Parts

- 2 x 2655 Upper Window Insert 1.27 x 18.8 x 35.86"
- 1 x 2649 Lower Window Insert 1.27 x 18.8 x 41.91"
- 2 x 649A Short Half Wall 1.27 x 18.8 x 20-15/16"

### Hardware

- 43 x S0 #8 x 7/8" Truss Screw

### Other Parts

- 2 x MOD 3-Pane Transom

# Step 12: Install Window and Wall Inserts

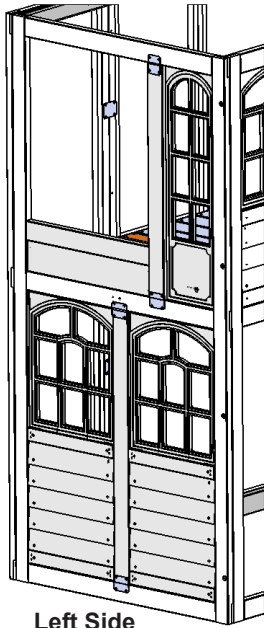
## Part 2 - Left Side



**C:** In the lower openings of (2622) End Panel Assembly install 2 (2649) Lower Window Inserts with 9 (S0) #8 x 7/8" Truss Screws per insert. (fig. 12.5, 12.6 and 12.7)

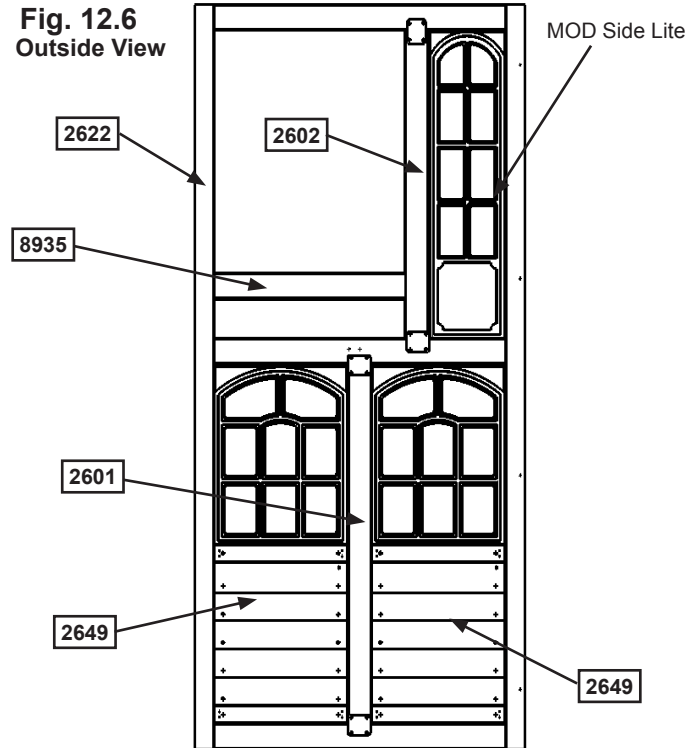
**D:** In the upper openings of (2622) End Panel Assembly install 1 (8935) Lower SL Insert with 4 (S0) #8 x 7/8" Truss Screws and 1 MOD Side Lite with 14 (S0) #8 x 7/8" Truss Screws. (fig. 12.5, 12.6 and 12.8)

**Fig. 12.5**



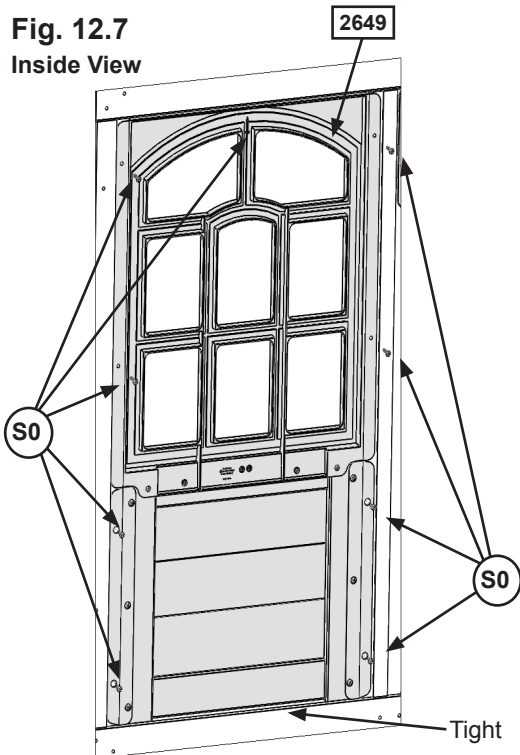
Left Side

**Fig. 12.6**  
Outside View



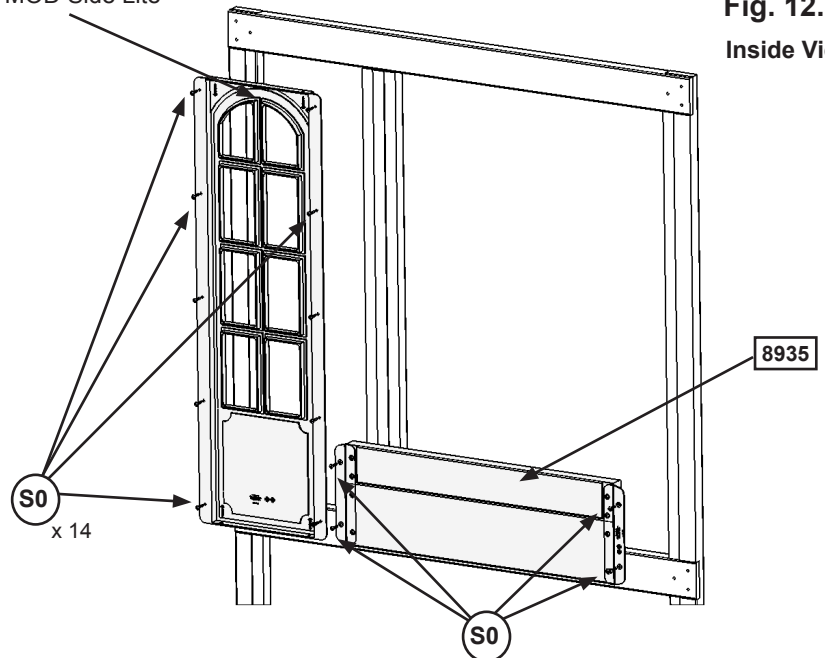
Left Side

**Fig. 12.7**  
Inside View



MOD Side Lite

**Fig. 12.8**  
Inside View



### Wood Parts

- 2 x **2649** Lower Window Insert 1.27 x 18.8 x 41.91"
- 1 x **8935** Lower SL Insert 1.36 x 8-1/8 x 26-1/4"  
(from TNR III box)

### Hardware

- 36 x **S0** #8 x 7/8" Truss Screw

### Other Parts

- 1 x MOD Side Lite  
(from TNR III box)

# Step 12: Install Window and Wall Inserts

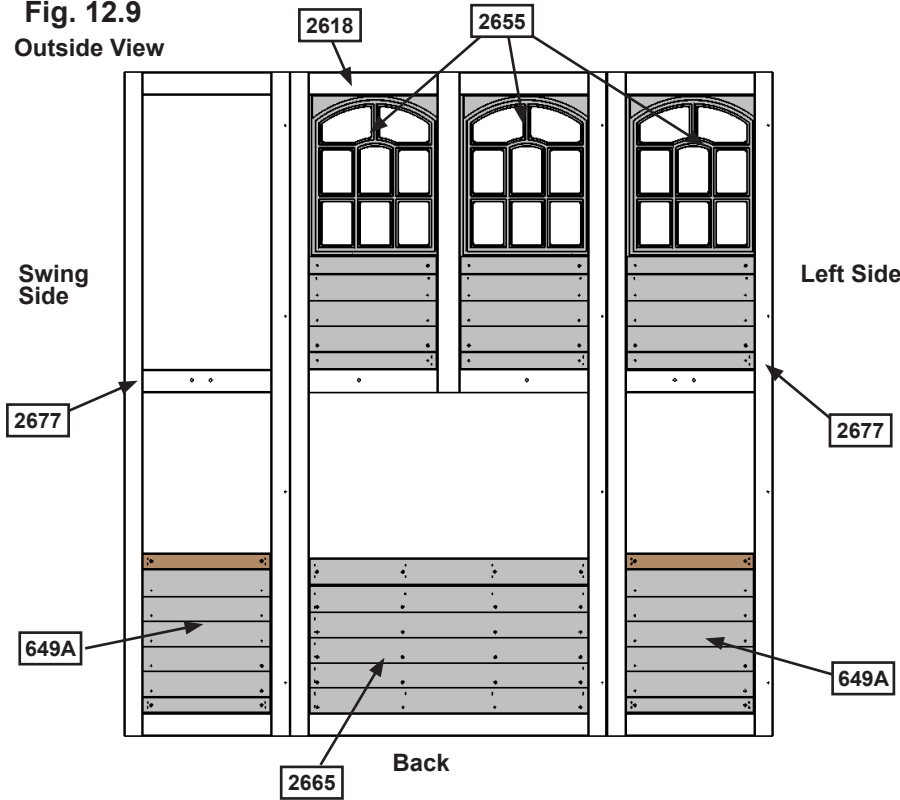
## Part 3 - Back Wall



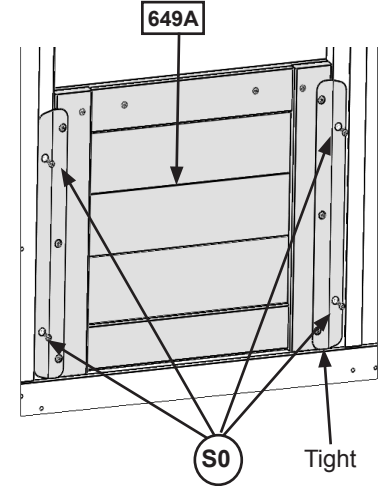
**E:** On the Back of the assembly, install 2 (649A) Short Half Walls in the lower opening of each (2677) Narrow Panel and 1 (2665) Half Wall Insert in the lower openings of (2618) Front Back Panel using 4 (S0) #8 x 7/8" Truss Screws per insert. (fig. 12.9, 12.10 and 12.11)

**F:** Install 3 (2655) Upper Window Inserts in the upper openings of (2618) Front Back Panel and the Left Side (2677) Narrow Panel using 9 (S0) #8 x 7/8" Truss Screws per insert. (fig. 12.9 and 12.12)

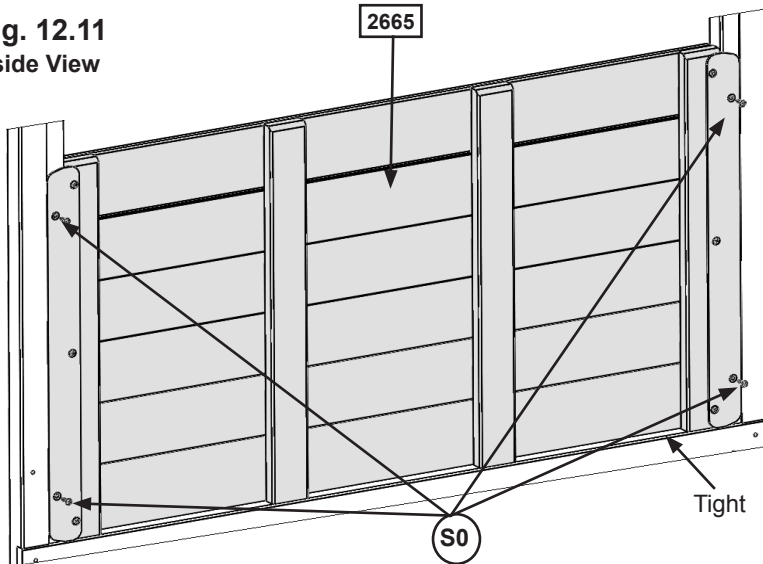
**Fig. 12.9**  
Outside View



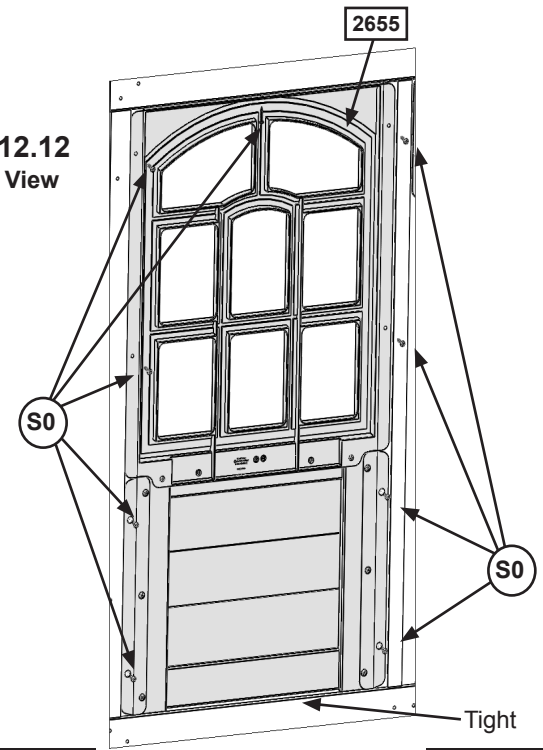
**Fig. 12.10**  
Inside View



**Fig. 12.11**  
Inside View



**Fig. 12.12**  
Inside View



### Wood Parts

- 3 x 2655 Upper Window Insert 1.27 x 18.8 x 35.86"
- 1 x 2665 Half Wall Insert 1.4 x 20-1/4 x 38.8"
- 2 x 649A Short Half Wall 1.27 x 18.8 x 20-15/16"

### Hardware

- 39 x S0 #8 x 7/8" Truss Screw

# Step 13: Clock Assembly

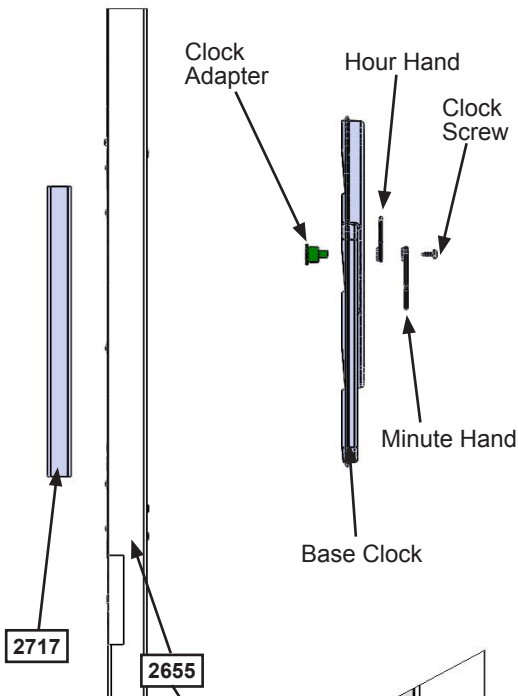


**A:** From the back of the Base Clock insert the Clock Adapter then from the front of the Base Clock place the Hour Hand over the Clock Adapter making sure they line up properly. Press the Minute Hand over the Hour Hand and connect with the Clock Screw. (fig. 13.1)

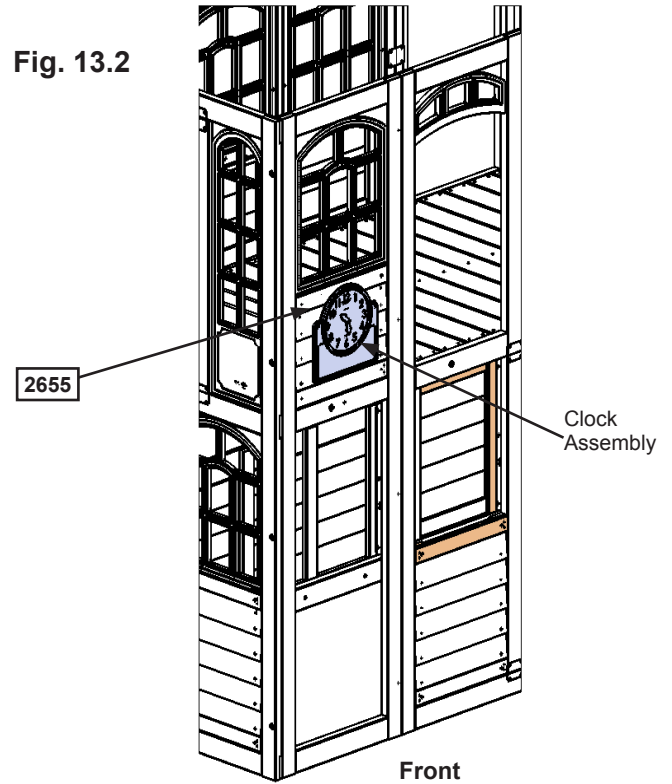
**B:** On the Front of the Assembly place Clock Assembly centred under window of the Slide Side (2655) Upper Window Insert then with a helper attach through insert and into each (2717) Clock Block with 4 (S2) #8 x 1-1/2" Wood Screw, 2 per block. (fig. 13.2, 13.3 and 13.4)

**Do not over tighten screws.**

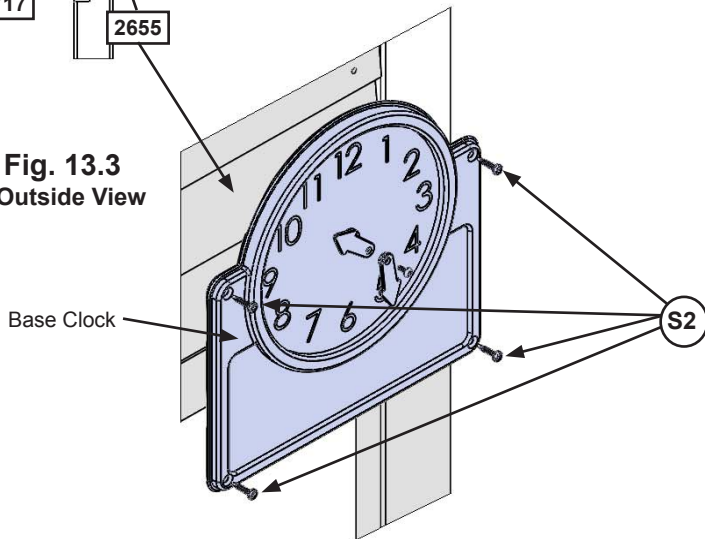
**Fig. 13.1**  
Side View



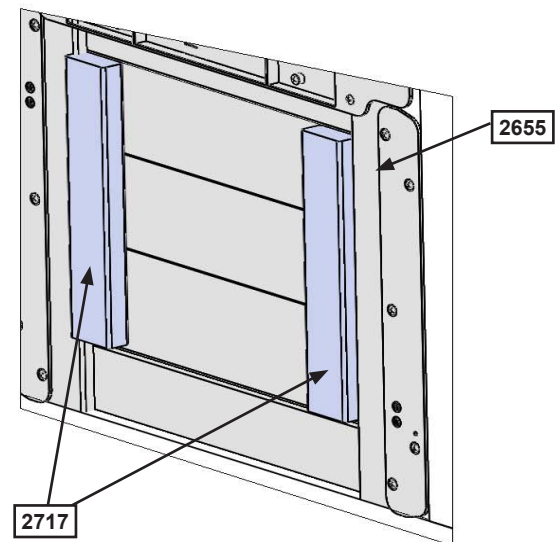
**Fig. 13.2**



**Fig. 13.3**  
Outside View



**Fig. 13.4**  
Inside View



**Wood Parts**

2 x 2717 Clock Block 3/4 x 1-3/4 x 9-3/4"

**Hardware**

4 x S2 #8 x 1-1/2" Wood Screw

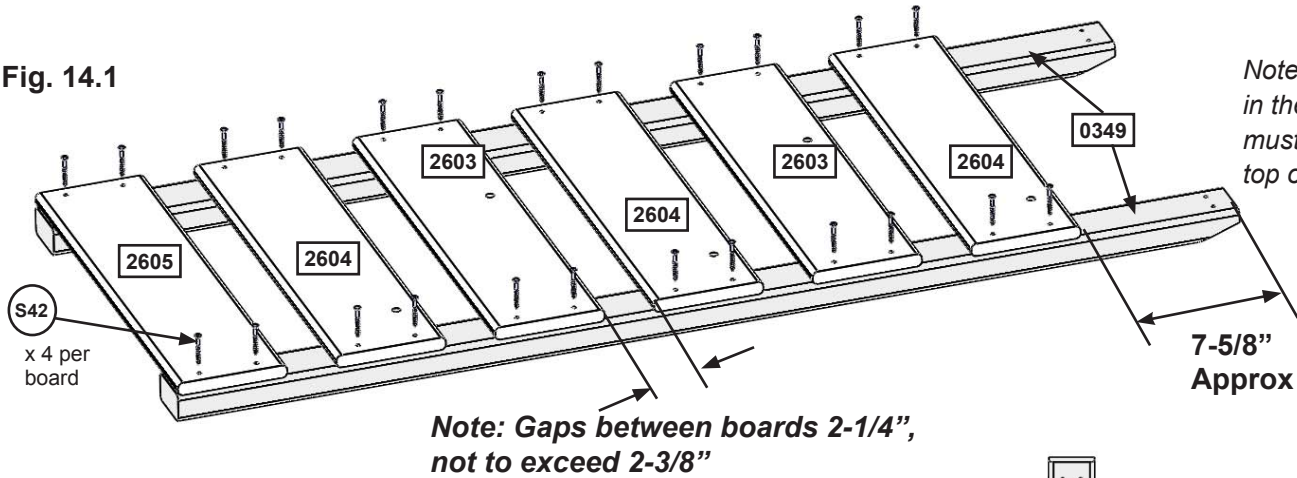
**Other Parts**

- 1 x Base Clock
- 1 x Clock Subset
- 1 x Clock Adapter
- 1 x Hour Hand
- 1 x Minute Hand
- 1 x Clock Screw

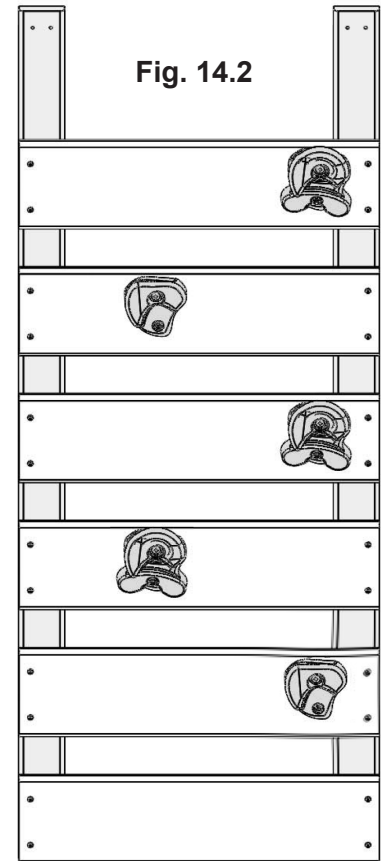
# Step 14: Rock Wall Assembly



**Fig. 14.1**



**Fig. 14.2**



## Pre-drill each hole using a 1/8" drill bit for S42

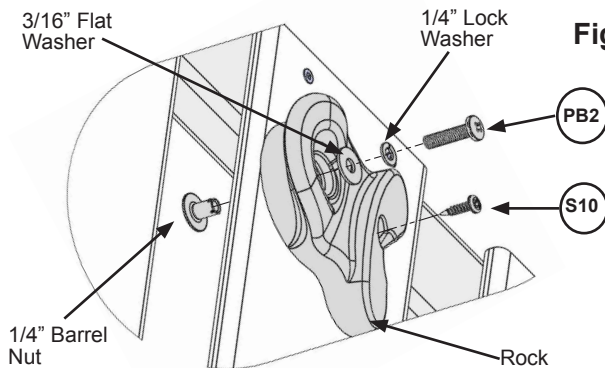
**A:** Lay 2 (0349) Rock Rails down, side by side with angled edges facing down. (fig. 14.1)

**B:** Place (2605) Access Board on the bottom of each (0349) Rock Rail as shown in fig. 14.1. Make sure (2605) Access Board is flush to the outside and bottom edges of each (0349). Attach using 4 (S42) #12 x 1-1/2" Pan Screws..

**C:** 7-5/8" down from the top of both (0349) Rock Rails place 1 (2604) Rock Board B, making sure the sides are flush to the outside edges of each (0349) Rock Rail. Attach using 4 (S42) #12 x 1-1/2" Pan Screws.. (fig. 14.1)

**D:** In between the (2605) Access Board and (2604) Rock Board B stagger 2 (2604) Rock Board Bs and 2 (2603) Rock Board As using 4 (S42) #12 x 1-1/2" Pan Screws. per board. Placing them as shown in fig. 14.1, this will prevent rocks from forming a straight line. Make sure the boards are evenly spaced and do not exceed 2-3/8" between boards.

**Fig. 14.3**



**E:** Place 1 rock on each (2603) Rock Board A and (2604) Rock Board B (fig. 14.2) and attach using 1 (PB2) 1/4 x 1-1/4" Pan Bolt (with lock washer, flat washer and barrel nut) and 1 (S10) #8 x 1" Pan Screw per rock. The Screw must be in the hole directly under the Pan Bolt, it will stop the rock from spinning. (fig. 14.3)

### Wood Parts

- 1 x 2605 Access Board 1 x 6 x 19-3/4"
- 3 x 2604 Rock Board B 1 x 6 x 19-3/4"
- 2 x 2603 Rock Board A 1 x 6 x 19-3/4"
- 2 x 0349 Rock Rail 2 x 3 x 51"

### Hardware

- 24 x S42 #12 x 1-1/2" Pan Screw
- 5 x S10 #8 x 1" Pan Screw
- 5 x PB2 1/4 x 1-1/4 Pan Bolt (1/4" lock washer, 3/16" flat washer & 1/4" barrel nut)

### Other Parts

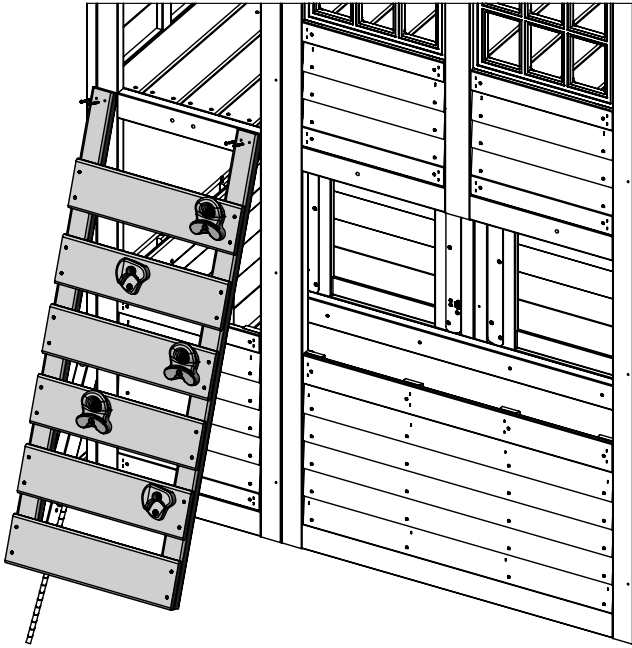
- 5 x Rocks (3 green/2 yellow)

# Step 15: Attach Rock Wall Assembly to Fort Part 1

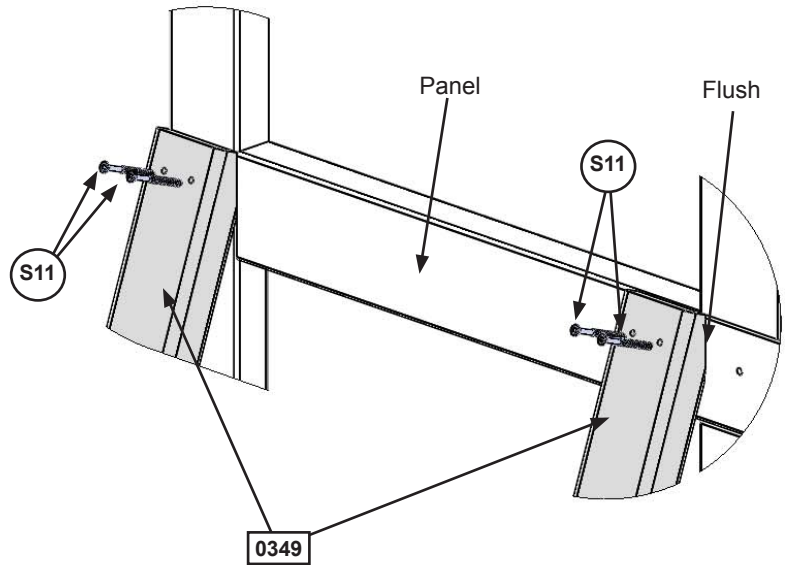


**A:** Place Rock Wall Assembly centred in opening and flush as shown below. (fig. 15.1 and 15.2). Attach (0349) Rock Rails using 4 (S11) #8 x 2" Wood Screws. (fig. 15.2 and 15.3)

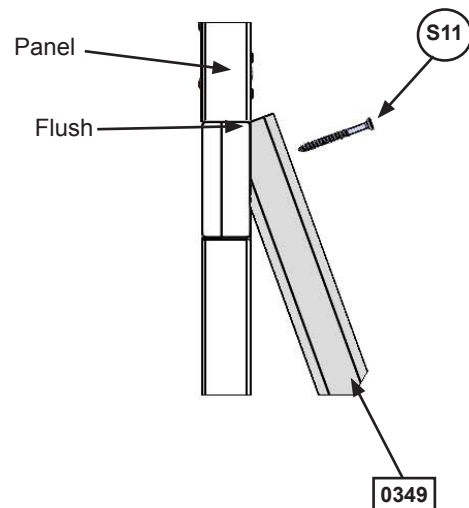
**Fig. 15.1**



**Fig. 15.2**



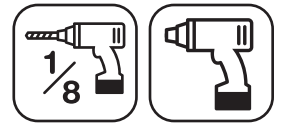
**Fig. 15.3**



### Hardware

4 x (S11) #8 x 2" Wood Screw

# Step 15: Attach Rock Wall Assembly to Fort Part 2



**B:** Attach 1 (2605) Access Board to top of Rock Wall Assembly, flush to top of (0349) Rock Rail using 4 (S42) #12 x 1-1/2" Pan Screws. (fig. 15.4 and 15.5)

**Pre-drill each hole using a 1/8" drill bit for S42**

Fig. 15.4

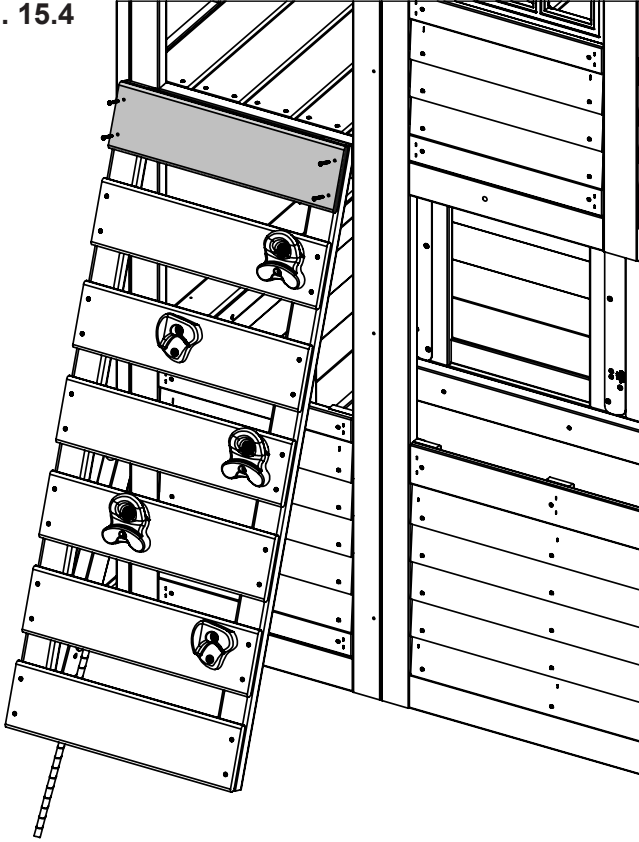
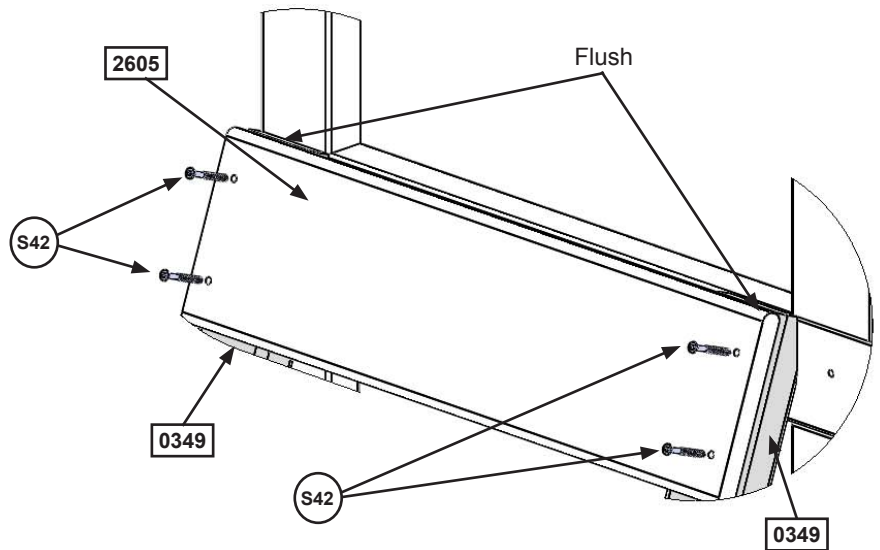


Fig. 15.5



## Wood Parts

1 x **2605** Access Board 1 x 6 x 19-3/4"

## Hardware

4 x **S42** #12 x 1-1/2" Pan Screw

# Step 15: Attach Rock Wall Assembly to Fort Part 3



**C:** Drive 1 Rebar Ground Stake 13" into the ground against outside (0349) Rock Rail then attach with 1 (S7) #12 x 2" Pan Screw. Be careful not to hit the washer while hammering stake into the ground as this could cause the washer to break off. (fig. 15.6 and 15.7)

**D:** After driving stake into the ground, check for sharp edges caused by the impact of the hammer. Smooth any sharp edges from impact area and touch up with outdoor paint.

**⚠Warning!** To prevent tipping and avoid potential injury, stakes must be driven 13" into ground. Digging or driving stakes can be dangerous if you do not check first for under-ground wiring, cables or gas lines.

Fig. 15.6

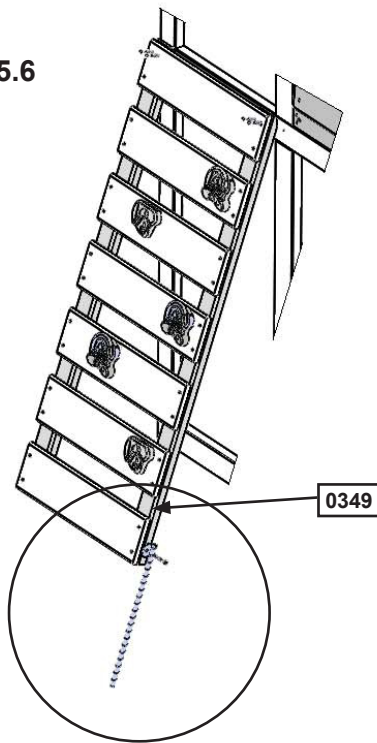
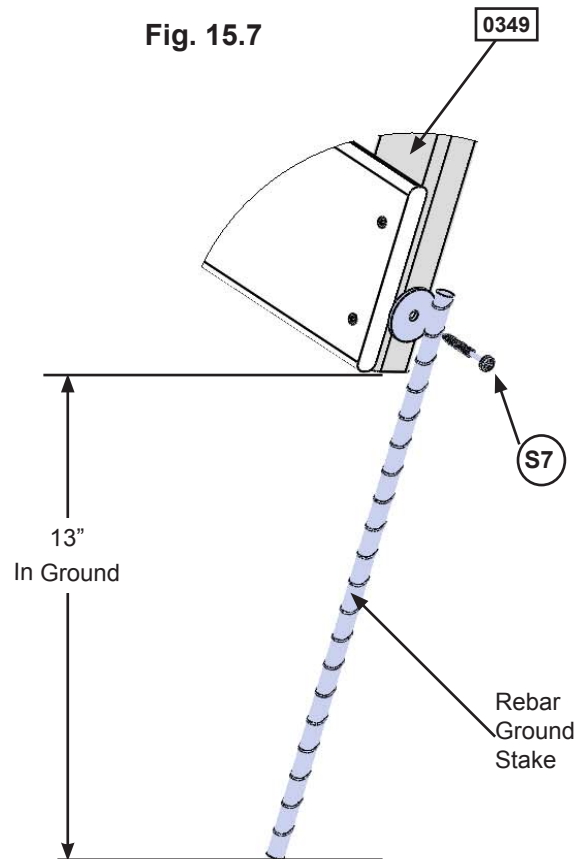


Fig. 15.7



### Hardware

1 x (S7) #12 x 2" Pan Screw

### Other Parts

1 x Rebar Ground Stake

# Step 16: Cafe Table Assembly

## Part 1



**A:** Place (2612) Table Support flush to the notched out ends of (2611) Table Top and attach with 4 (S7) #12 x 2" Pan Screws as shown in fig. 16.1.

**B:** Place Table Top Assembly tight in the opening of the back (2618) Front Back Panel on top of (2665) Half Wall Insert as shown in Fort Guide at the end of the instructions then attach (2612) Table Support to the panel with 2 (S3) #8 x 2-1/2" Wood Screws. (fig. 16.2 and 16.3)

Fig. 16.1

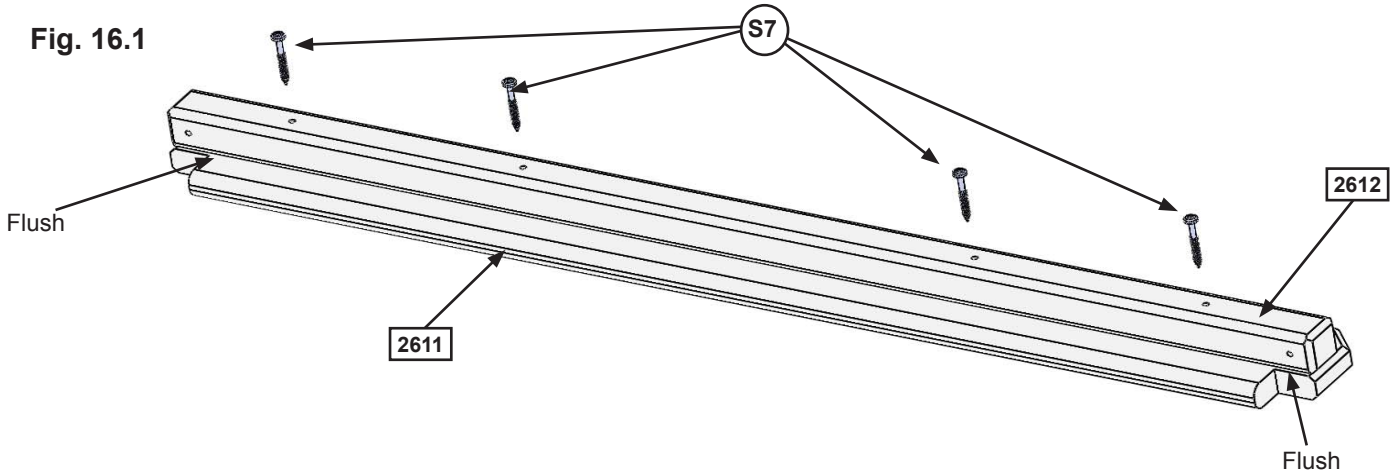
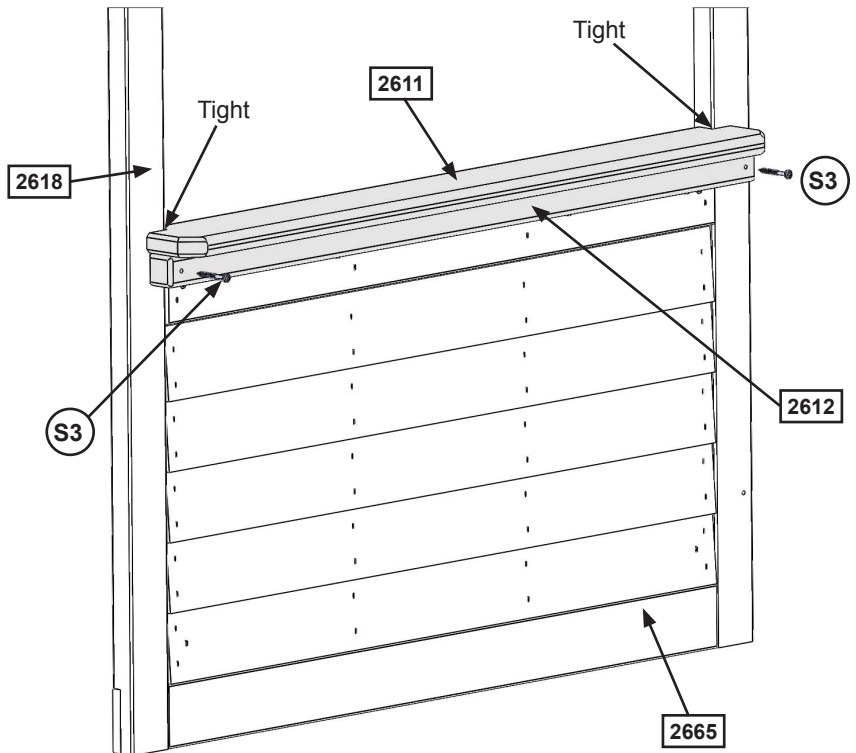


Fig. 16.2



Fig. 16.3

Outside View



### Wood Parts

- 1 x 2612 Table Support 2 x 2 x 39-5/8"
- 1 x 2611 Table Top 5/4 x 5 x 39-5/8"

### Hardware

- 4 x S7 #12 x 2" Pan Screw
- 2 x S3 #8 x 2-1/2" Wood Screw

# Step 16: Cafe Table Assembly

## Part 2



C: From the inside of the assembly attach (2611) Table Top to slats in (2665) Half Wall Insert with 2 Flat Brackets using 3 (S37) #7 x 5/8" Pan Screws per bracket. (fig. 16.4, 14.5)

Fig. 16.4

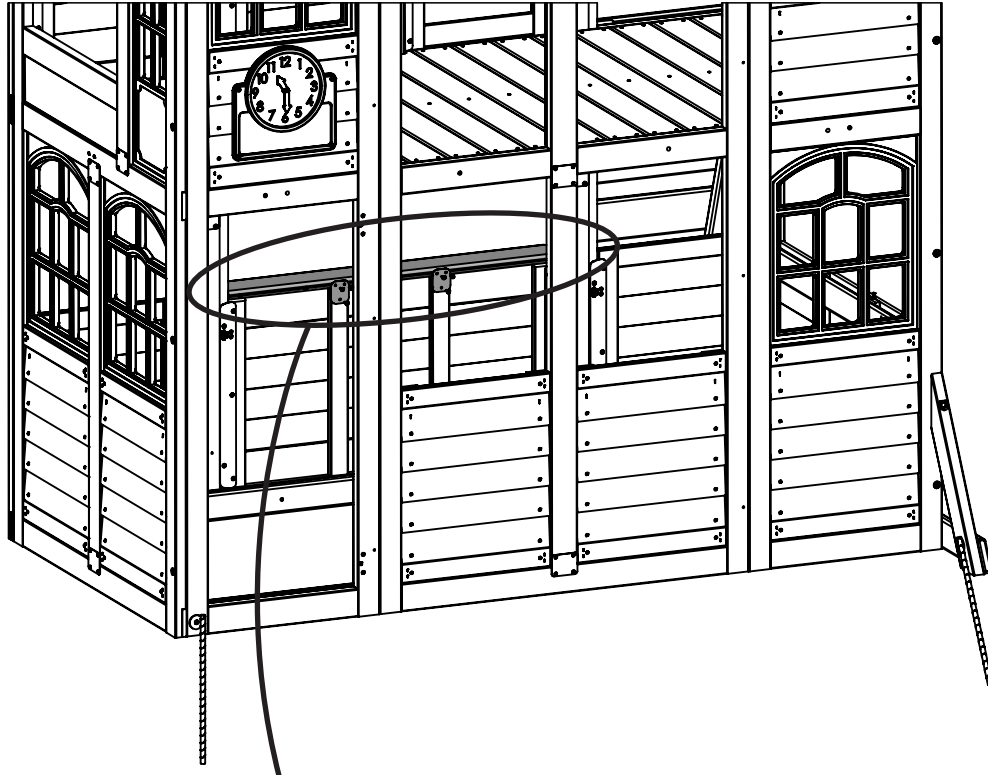
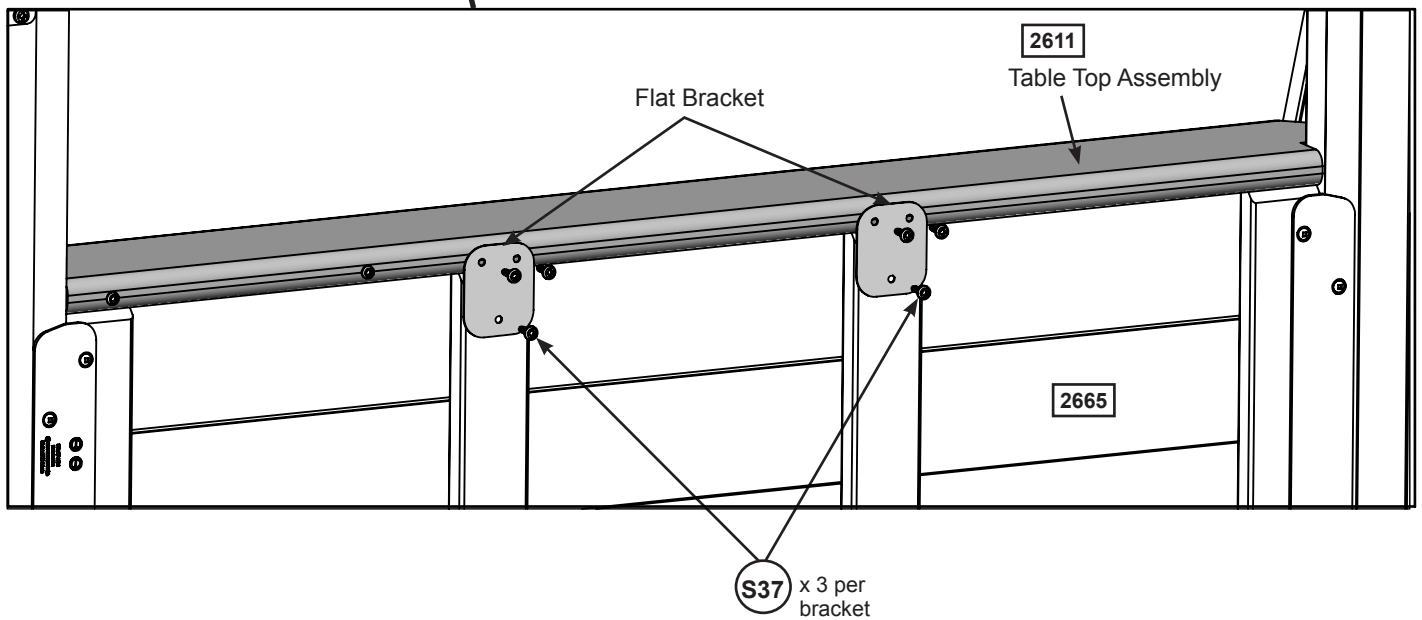


Fig. 16.5  
Inside View



### Hardware

6 x  #7 x 5/8" Pan Screw

### Other Parts

2 x Flat Bracket

# Step 17: Attach Cafe Canopy to Fort

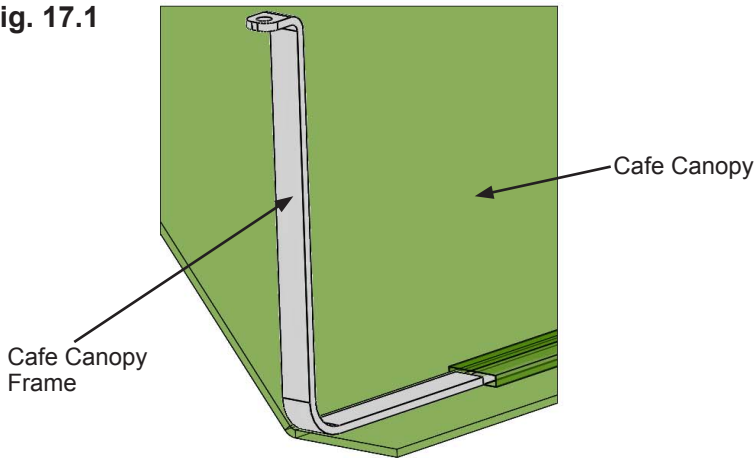


**A:** Feed Cafe Canopy Frame through the pocket of the Cafe Canopy. (fig. 17.1)

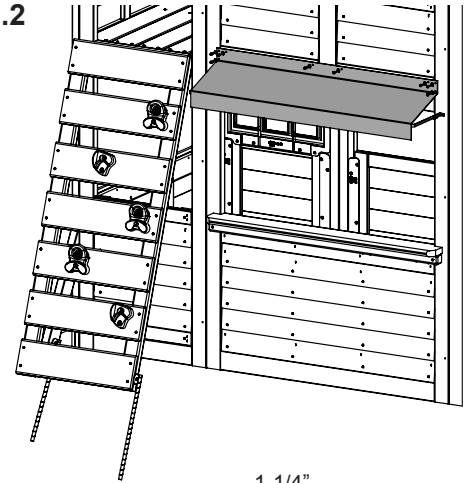
**B:** With a helper hold the Canopy against the fort, centred on the (2618) Front Back Panel shown on the Fort Guide, make sure the Cafe Canopy is smooth and tight then attach to the panel with 1 (S5) #8 x 1/2" Pan Screw (with #8 flat washer), measure 1-1/2" down from the first screw then attach a second screw and washer. Follow measurements as shown in fig. 17.3 for remaining screws and washers. Measurements must be exact.

**C:** Hold the Cafe Canopy Frame against the panel and attach with 1 (S6) #12 x 1" Pan Screw per side. (fig. 17.3)

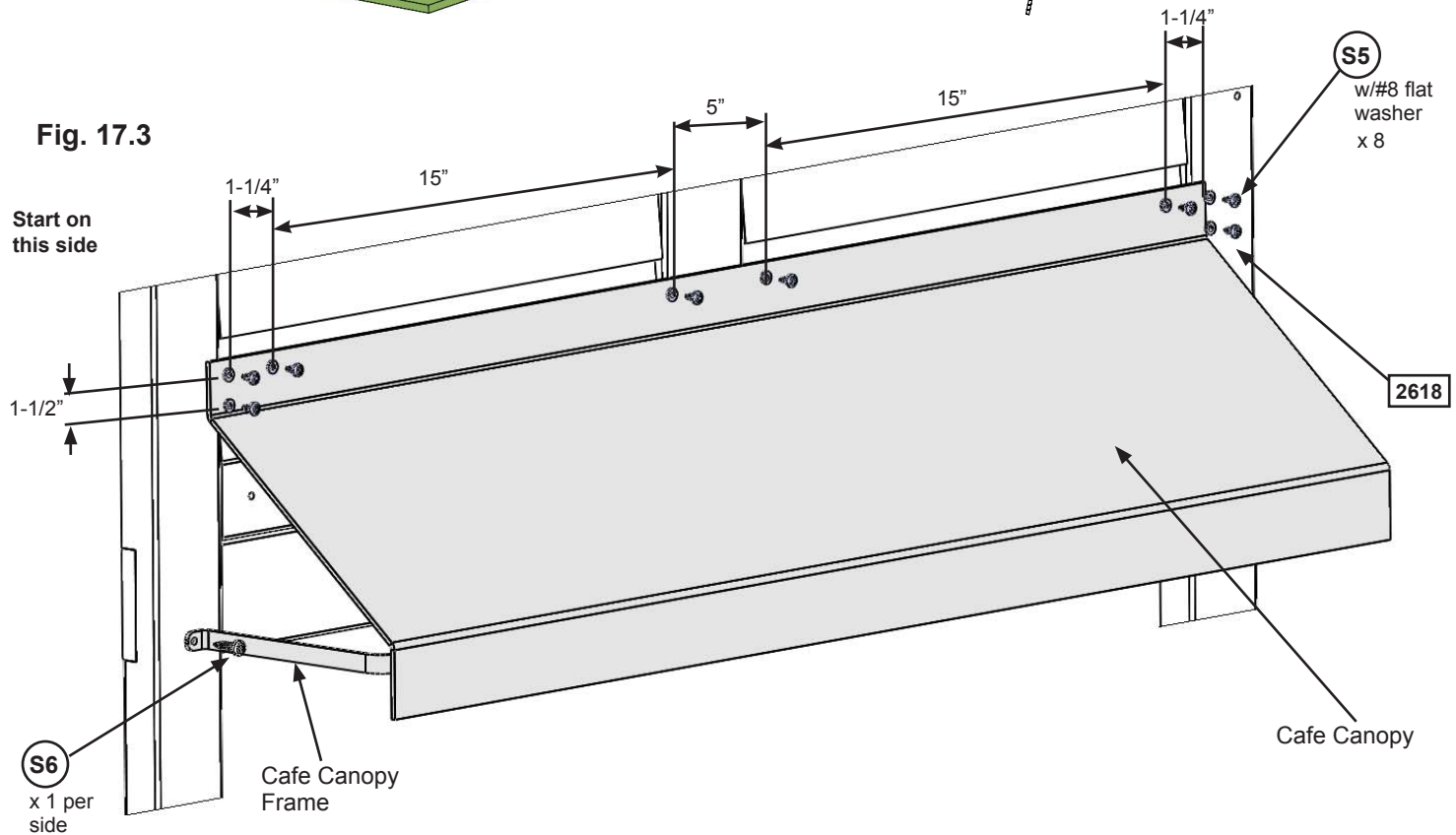
**Fig. 17.1**



**Fig. 17.2**



**Fig. 17.3**



**Hardware**

- 8 x S5 #8 x 1/2" Pan Screw (#8 flat washer)
- 2 x S6 #12 x 1" Pan Screw

**Other Parts**

- 1 x Cafe Canopy Frame
- 1 x Cafe Canopy

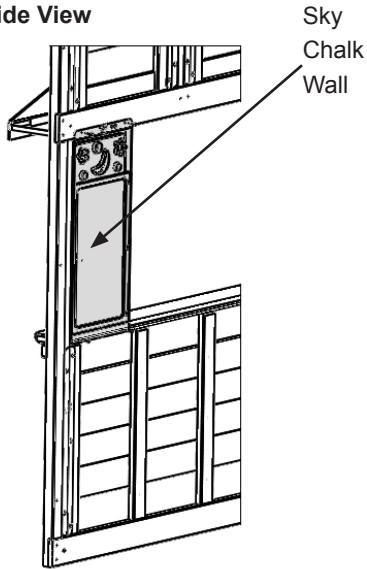
# Step 18: Attach Sky Chalk Wall to Fort



**A:** From inside the assembly place Sky Chalk Wall tight to (2611) Table Top and (2618) Front Back Panel then attach with 4 (S10) #8 x 1" Pan Screws from the inside and 1 (S10) #8 x 1" Pan Screw from the outside. (fig. 18.1, 18.2, 18.3 and 18.4)

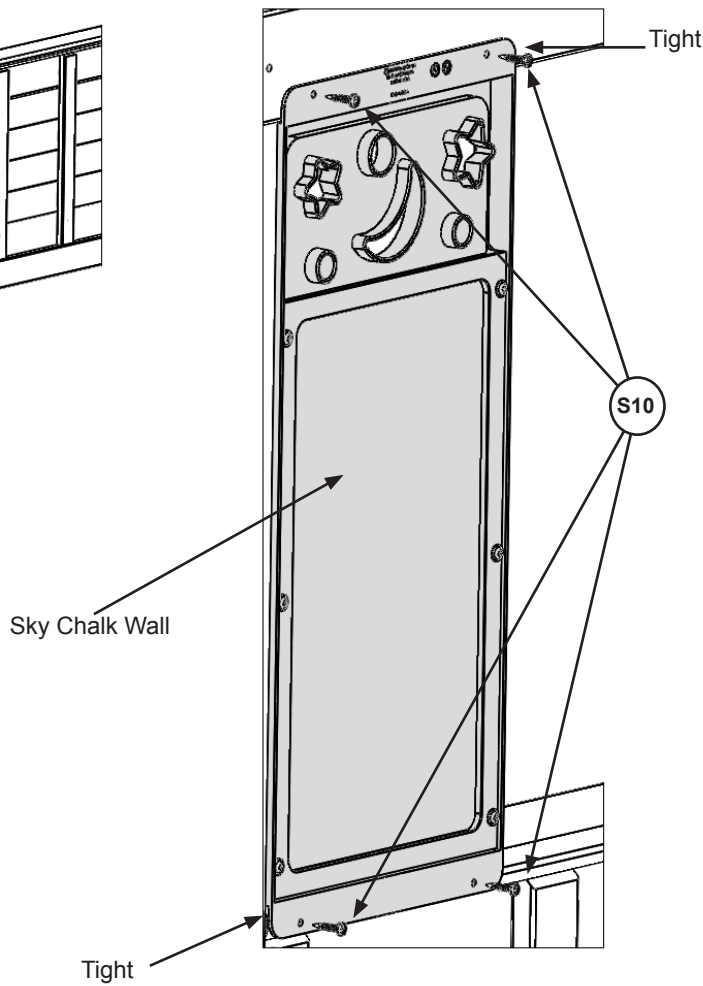
**Fig. 18.1**

Inside View



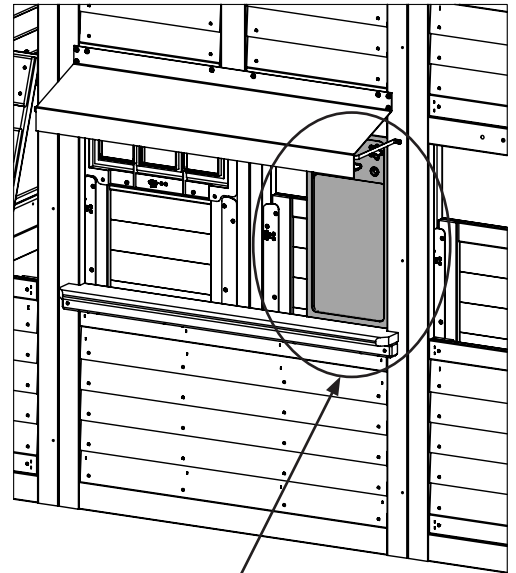
**Fig. 18.2**

Inside View



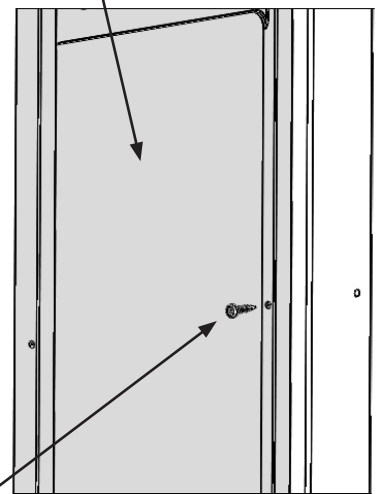
**Fig. 18.3**

Outside View



Sky Chalk Wall

**Fig. 18.4**  
Outside View



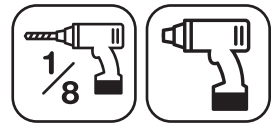
**Hardware**

5 x (S10) #8 x 1" Pan Screw

**Other Parts**

1 x Sky Chalk Wall

# Step 19: Attach Slides to Fort



**A:** At the front of the fort place each Slide in the centre of each opening of (2618) Front Back Panel, pre-drill with a 1/8" drill bit then attach both slides to fort through the panel using 3 (S7) #12 x 2" Pan Screws per slide. (fig. 19.1, 19.2 and 19.3)

Fig. 19.1

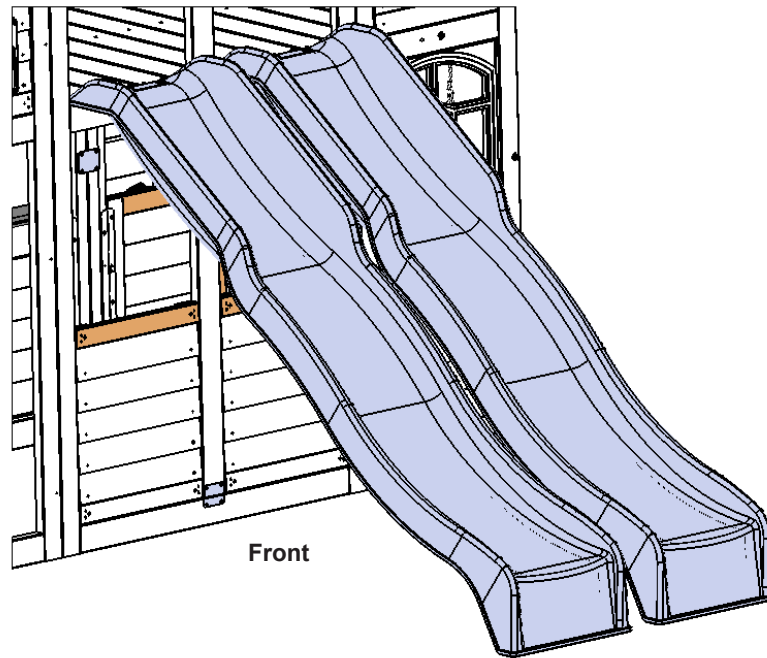


Fig. 19.2

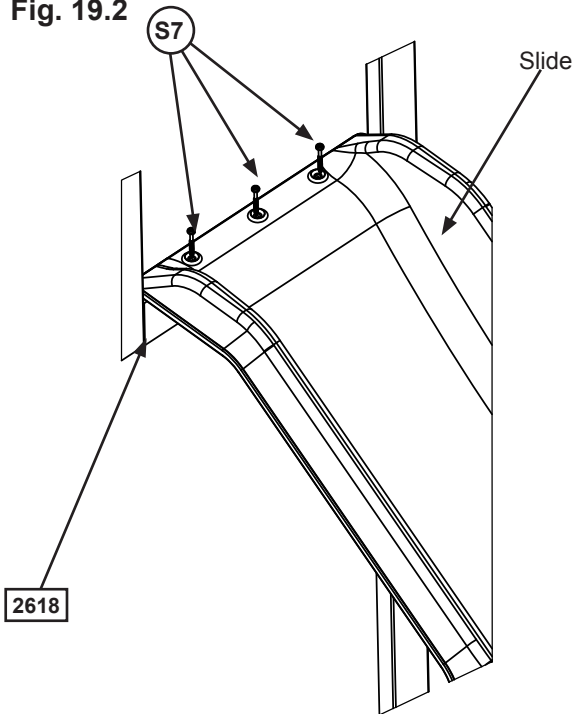
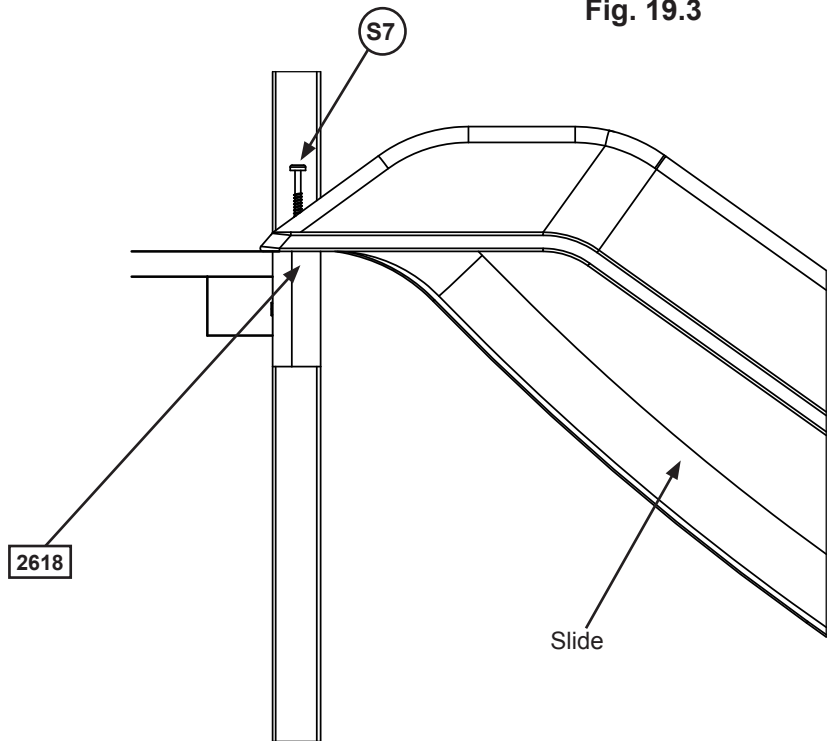



Fig. 19.3



### Hardware

6 x  #12 x 2" Pan Screw

### Other Parts

2 x Slide

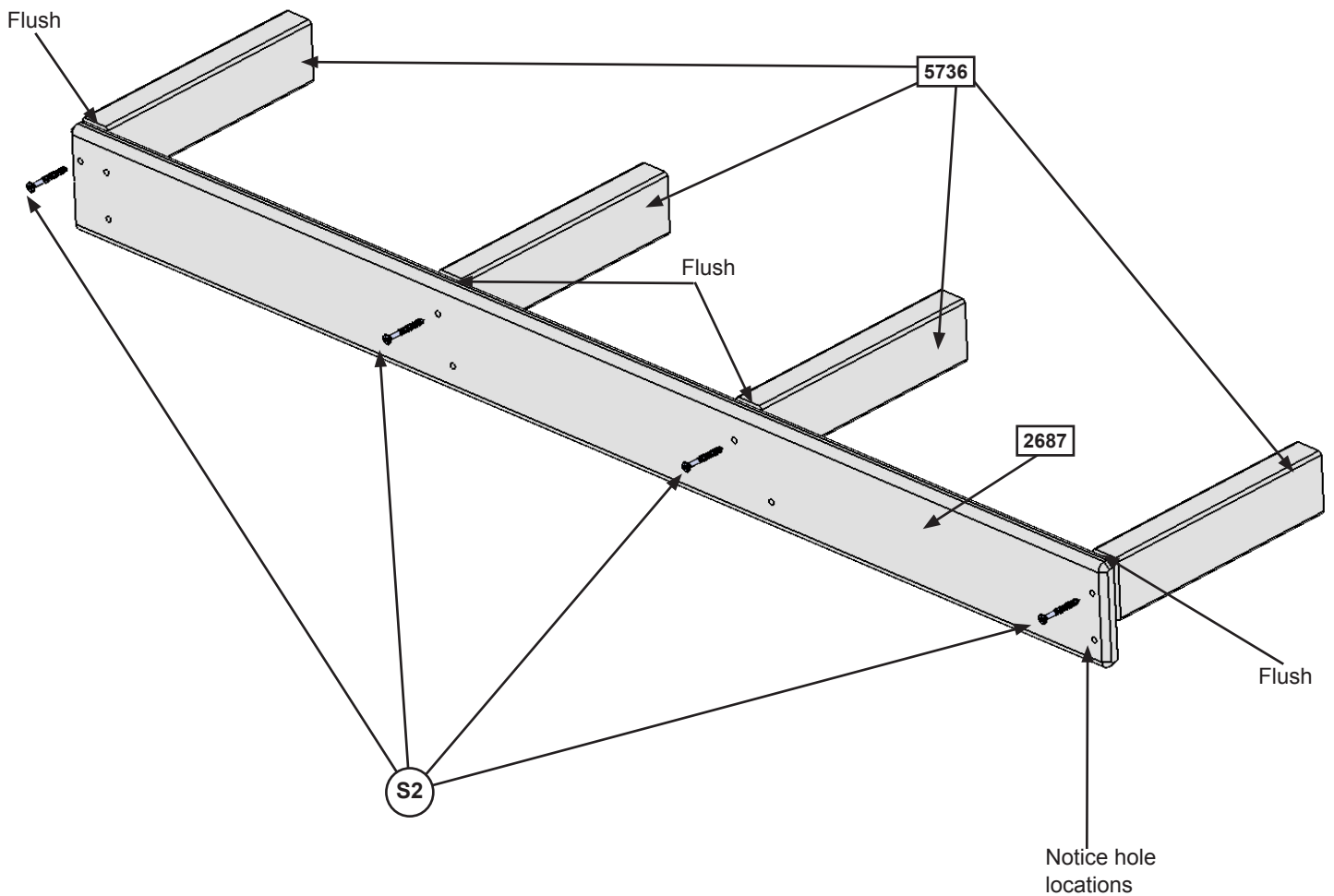
# Step 20: Counter Assembly Part 1



**A:** Flush to each end and to the top of (2687) Counter Back attach 1 (5736) Counter Joist per end with 1 (S2) #8 x 1-1/2" Wood Screw per joist. Notice the remaining holes at the bottom of (2687) Counter Back. (fig. 20.1)

**B:** Place the remaining 2 (5736) Counter Joists centred over the pilot holes in the middle of (2687) Counter Back and flush to the top of the board, then attach, in the top holes, with 1 (S2) #8 x 1-1/2" Wood Screw per joist. (fig. 20.1)

Fig. 20.1



### Wood Parts

- 1 x 2687 Counter Back 1 x 4 x 40-5/8"
- 4 x 5736 Counter Joist 1 x 2 x 8-1/4"

### Hardware

- 4 x S2 #8 x 1-1/2" Wood Screw

# Step 20: Counter Assembly Part 2



C: On the inside of (2627) SW Wall Panel place Counter Assembly so the top of (2687) Counter Back is flush to the top of the opening then attach with 5 (S2) #8 x 1-1/2" Wood Screws. (fig. 20.2 and 20.3)

Fig. 20.2  
Outside View

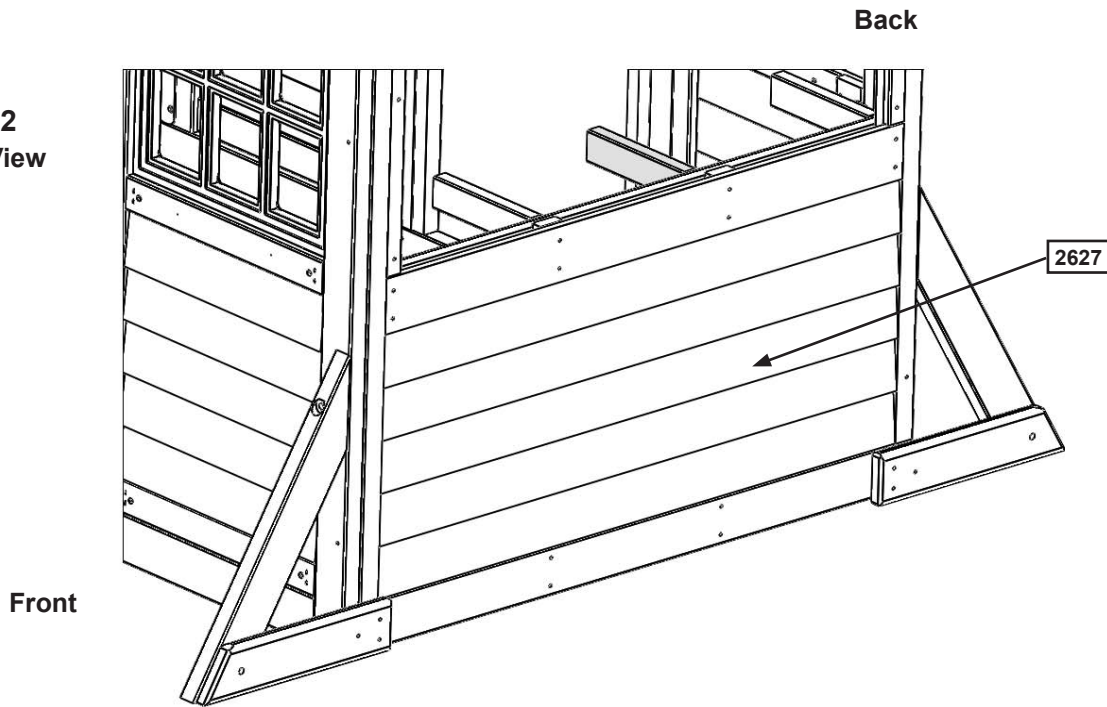
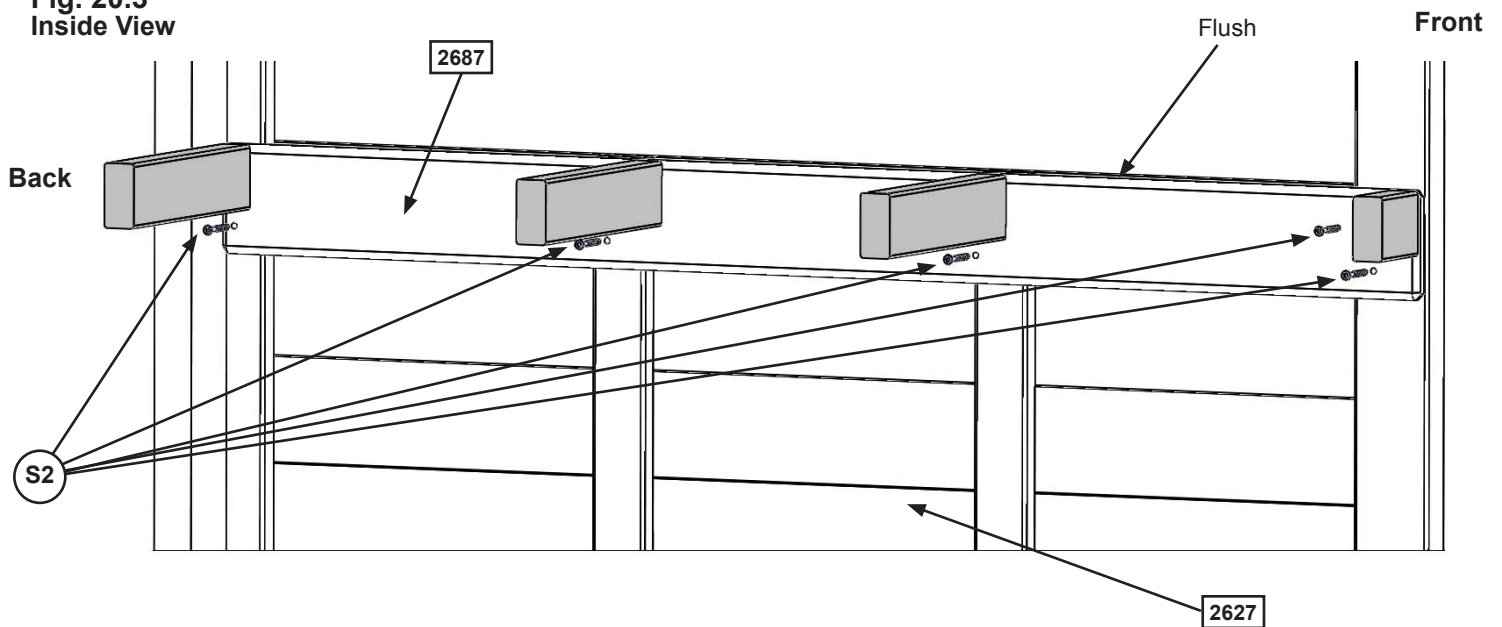


Fig. 20.3  
Inside View



### Hardware

5 x (S2) #8 x 1-1/2" Wood Screw

# Step 20: Counter Assembly Part 3



D: Place 1 (6136) Counter Brace flush to the front and outside edge of each outer (5736) Counter Joist and tight to (2627) SW Wall Panel then attach with 2 (S3) #8 x 2-1/2" Wood Screws per brace. (fig. 20.4 and 20.5)

Fig. 20.4

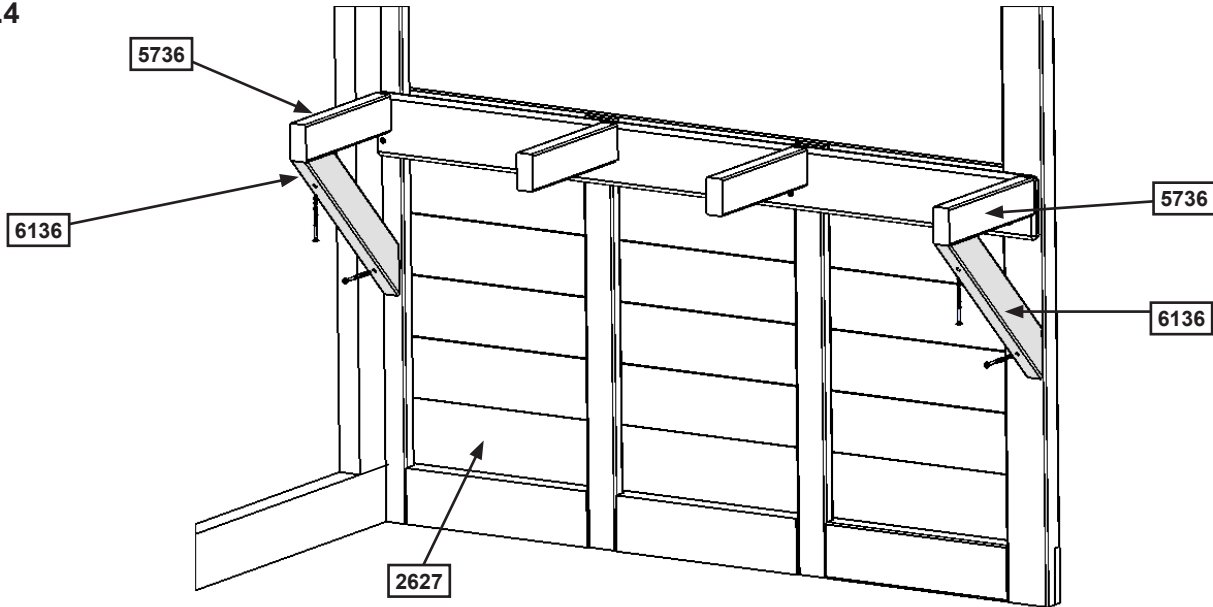
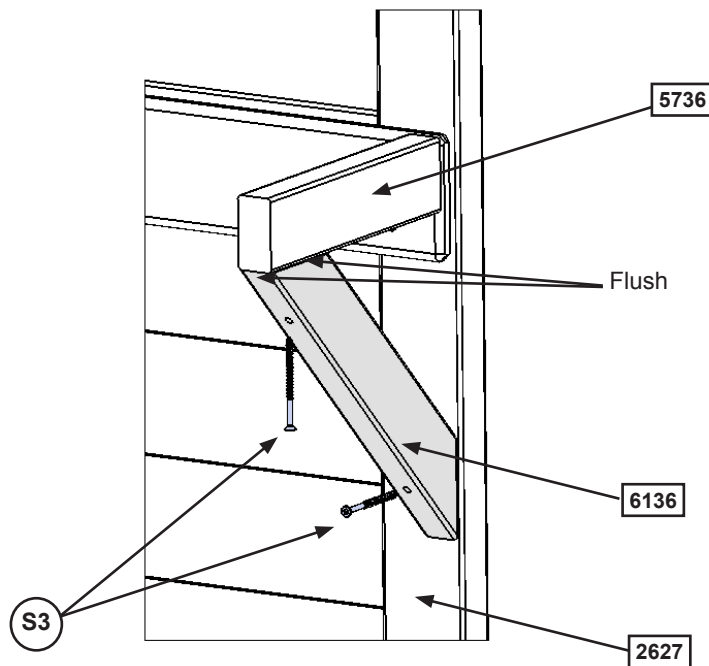


Fig. 20.5



### Wood Parts

2 x 6136 Counter Brace 1 x 2 x 12-9/16"

### Hardware

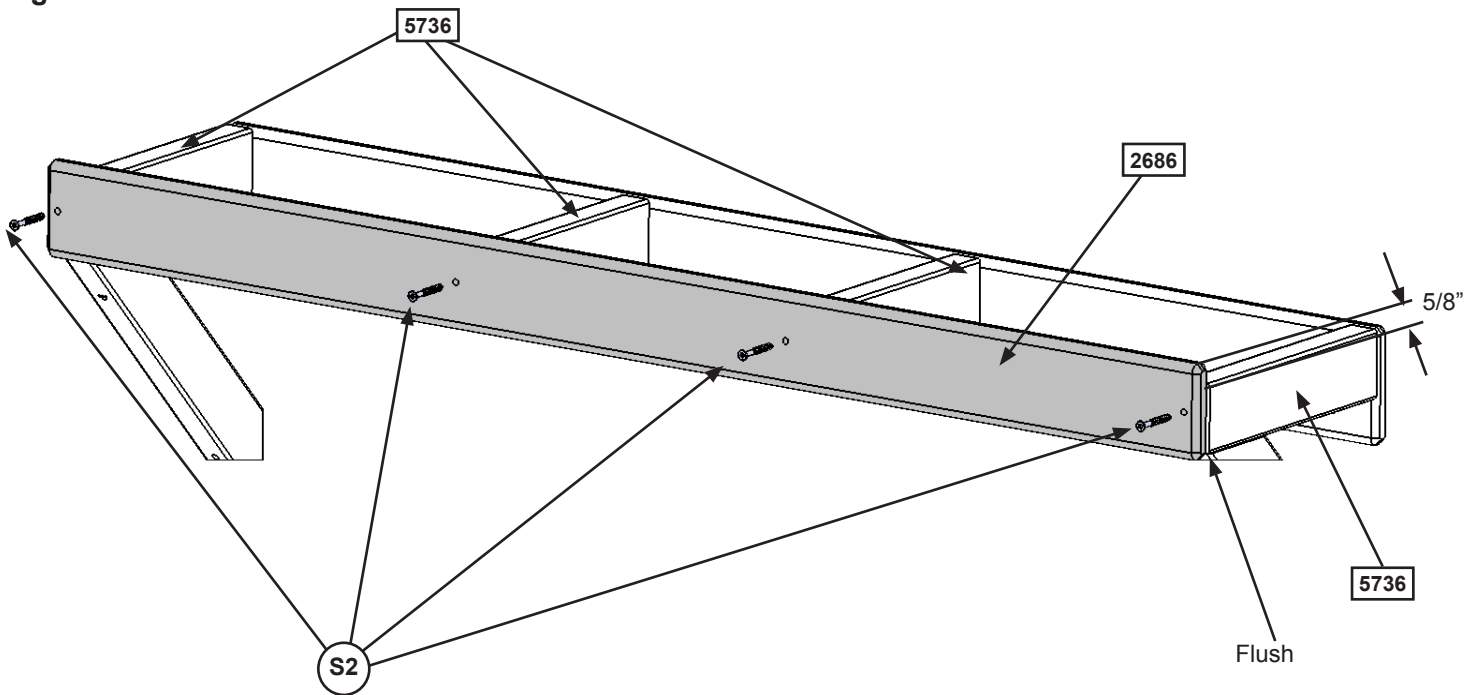
4 x S3 #8 x 2-1/2" Wood Screw

# Step 20: Counter Assembly Part 4



E: Place (2686) Counter Front against (5736) Counter Joists so the ends are flush and the centre (5736) Counter Joists are centred over the pilot holes. Measure 5/8" down from the top of (2686) Counter Front on both ends and attach to the (5736) Counter Joists with 4 (S2) #8 X 1-1/2" Wood Screws. (fig. 20.6)

Fig. 20.6



### Wood Parts

1 x **2686** Counter Front 5/8 x 2-3/4 x 40-5/8"

### Hardware

4 x **S2** #8 x 1-1/2" Wood Screw

# Step 20: Counter Assembly Part 5



**F:** Tight to (2687) Counter Back attach (2685) Counter Top to each (5736) Counter Joist with 4 (TS) #6 x 30 mm Trim Screws. (fig. 20.7)

**G:** Tight to (2685) Counter Top and flush to the outside edges of the outer (5736) Counter Joists attach 1 (5536) Counter Side per joist with 3 (TS) #6 x 30 mm Trim Screws per board. (fig. 20.7)

**H:** Tight to (2685) Counter Top and centred over the middle 2 (5736) Counter Joists with ends flush to the outside edges attach 2 (2716) Counter Mid Tops with 4 (TS) #6 x 30 mm Trim Screws per board. (fig. 20.7)

**I:** Attach (2685) Counter Top to (2627) SW Wall Panel with 2 (TS) #6 x 30 mm Trim Screws per board. (fig. 20.8)

Fig. 20.7

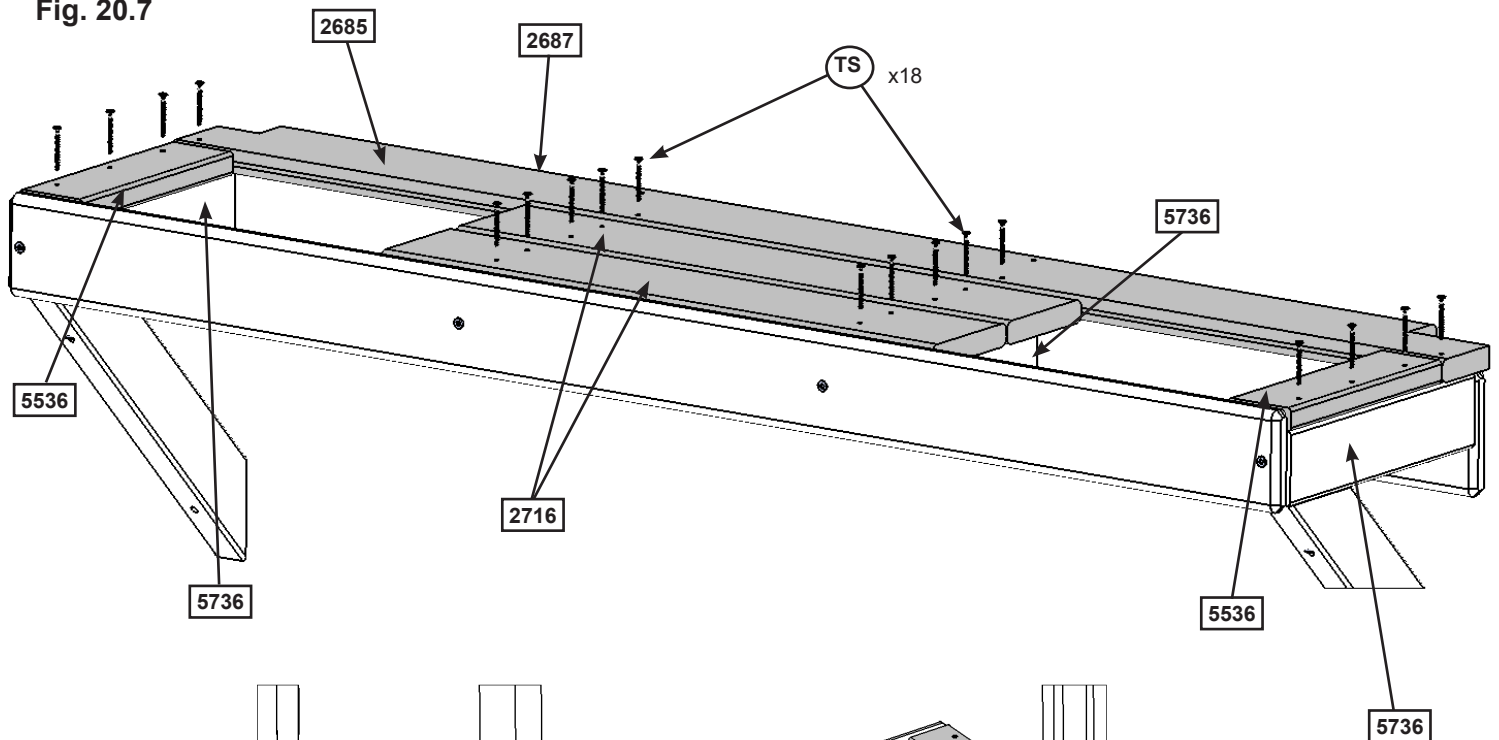
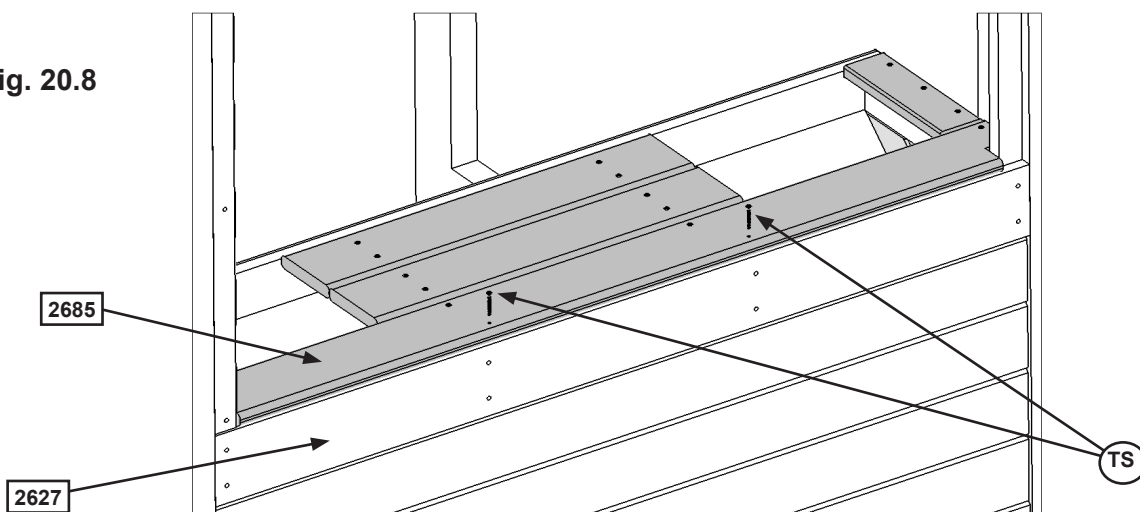


Fig. 20.8



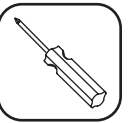
### Wood Parts

- 2 x 2716 Counter Mid Top 1 x 4 x 17-5/8"
- 1 x 2685 Counter Top 1 x 4 x 40-5/8"
- 2 x 5536 Counter Side 5/8 x 2 x 6-3/4"

### Hardware

- 20 x TS #6 x 30 mm Trim Screw

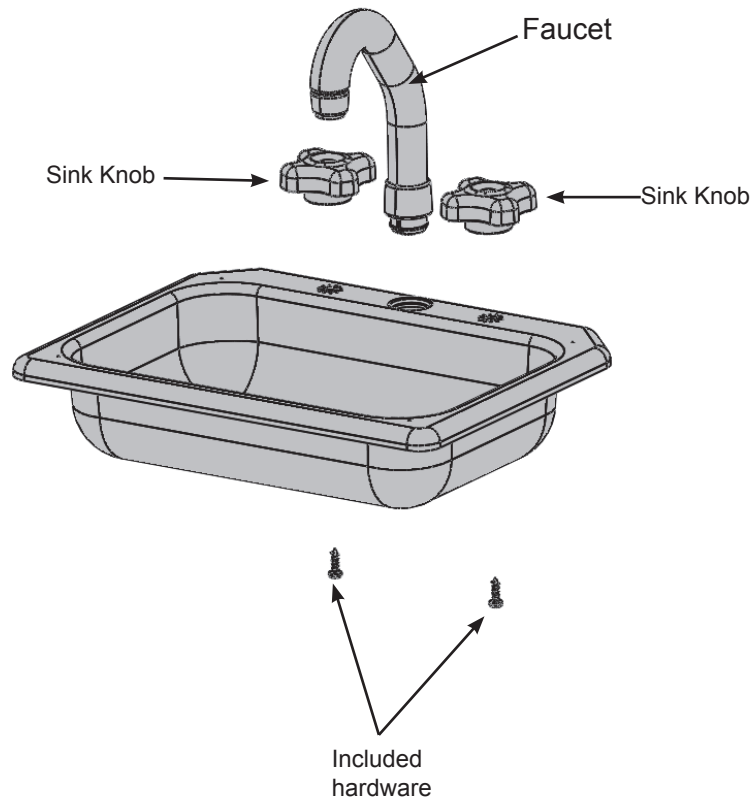
# Step 20: Counter Assembly Part 6



J: Place Faucet and 2 Sink Knobs in opening of Sink and attach Sink Knobs with included hardware. (fig. 20.9)

**Important: Use a hand held screw driver and DO NOT over tighten.**

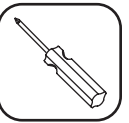
Fig. 20.9



### Other Parts

1 x Sink  
2 x Sink Knobs  
1 x Faucet  
2 x (#6 x 9mm Pan Screw)

# Step 20: Counter Assembly Part 7



**K:** Place Sink and Stove in the openings of the Counter Assembly then attach 4 Mount Clips with included hardware to the bottom of the Sink and Stove to secure in place. (fig. 20.10 and 20.11)

**Important:** Use a hand held screw driver and **DO NOT** over tighten.

Note: To remove the Sink or Stove loosen screw 1/4 turn then twist Mount Clips.

Fig. 20.10

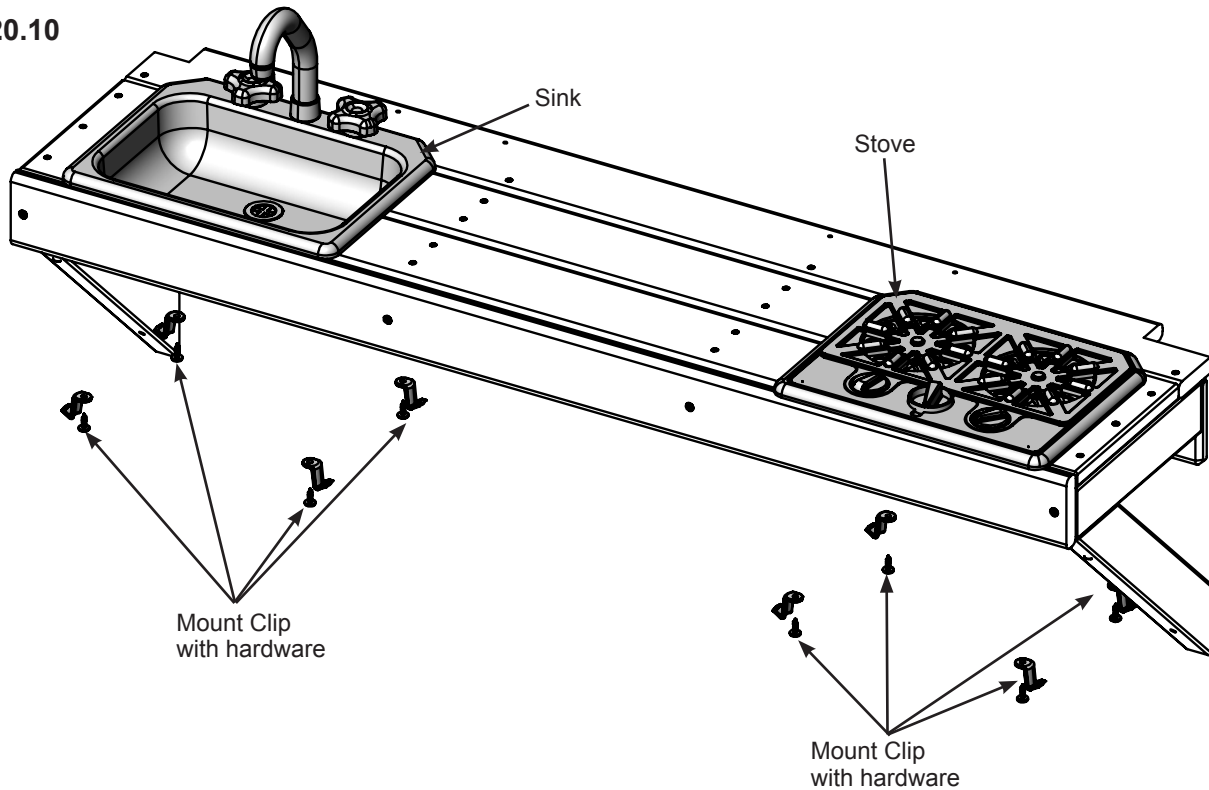
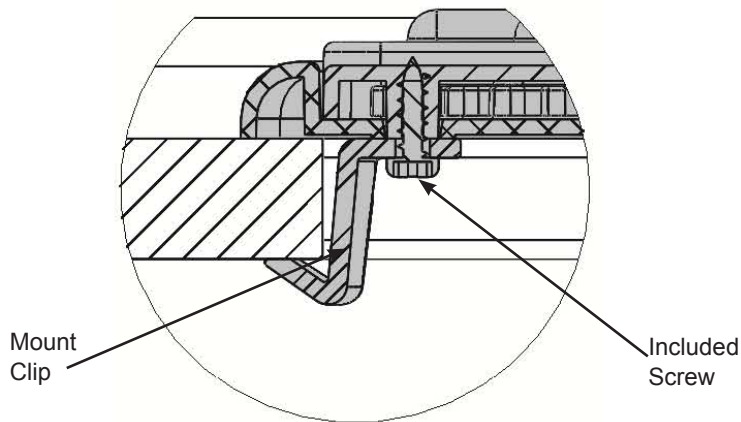


Fig. 20.11



### Other Parts

- 1 x Stove
- 8 x Mount Clip
- 8 x (#6 x 9mm Pan Screw)

# Step 21: Attach Utensil Shelf



**A:** From inside the assembly, centred in the top of the opening of (2627) SW Wall Panel above the counter attach Utensil Shelf with 2 (S5) #8 x 1/2" Pan Screws as shown in fig. 21.1 and 21.2.

**B:** Attach Pot, Pan and Spatula to the Utensil Shelf. (fig. 21.2 and 21.3)

Fig. 21.1

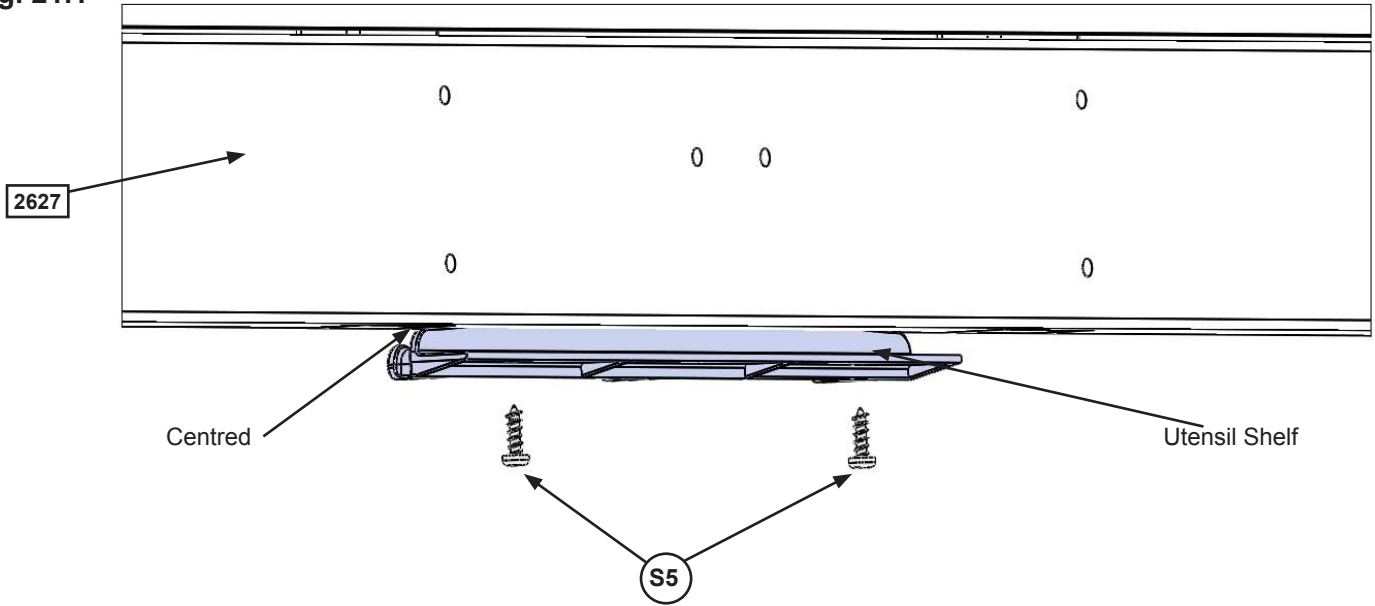


Fig. 21.2

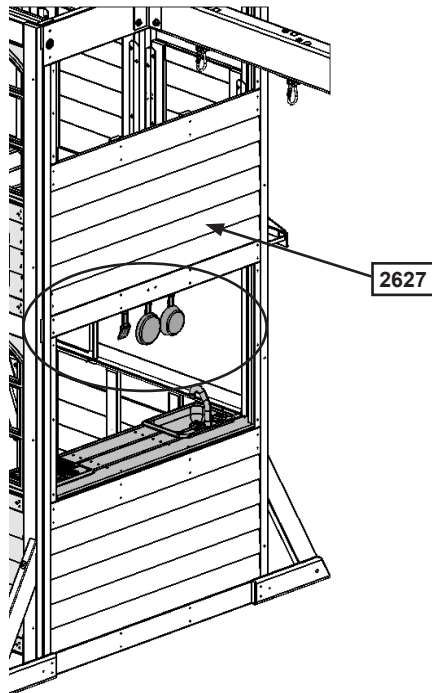
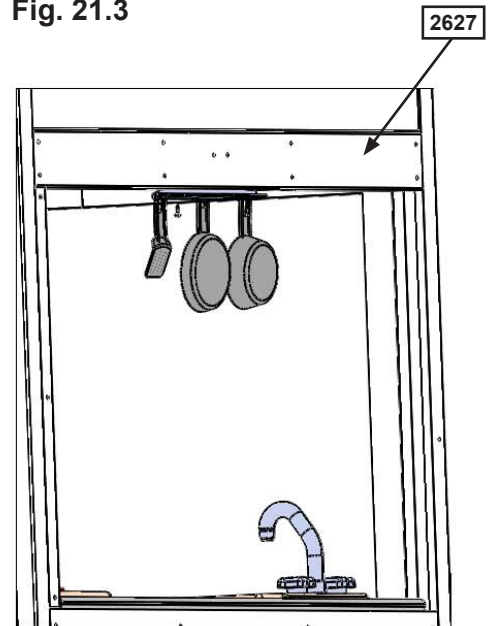


Fig. 21.3



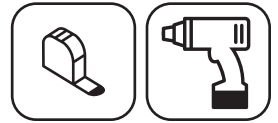
### Hardware

2 x (S5) #8 x 1/2" Pan Screw

### Other Parts

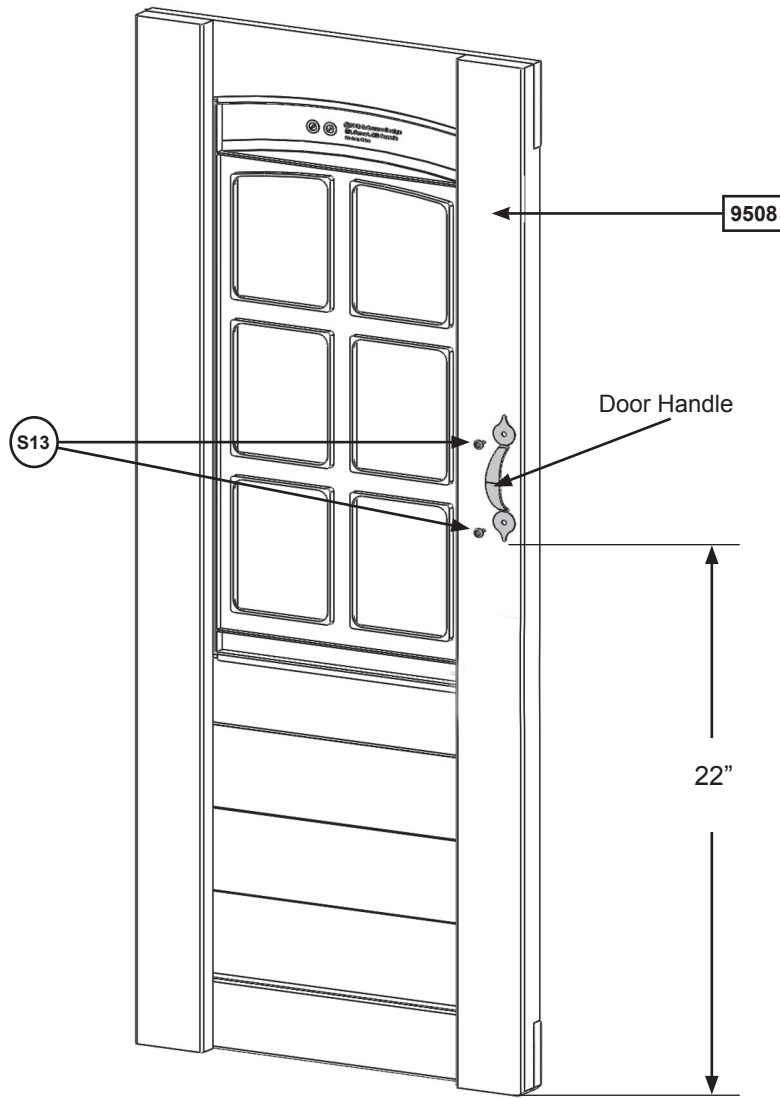
1 x Utensil Shelf  
 1 x Pot  
 1 x Pan  
 1 x Spatula

## Step 22: Attach Door Handle



**A:** On the inside of (9508) Door Window Panel measure 22" up from the bottom and attach 1 Door Handle using 2 (S13) #6 x 5/8" Pan Screws. (fig. 22.1)

Fig. 22.1



Inside View

### Wood Parts

1 x 9508 Door Window Panel 1-1/4 x 15-3/4 x 40-3/4"

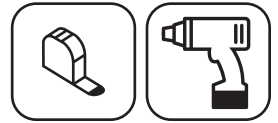
### Hardware

2 x S13 #6 x 5/8" Pan Screw

### Other Parts

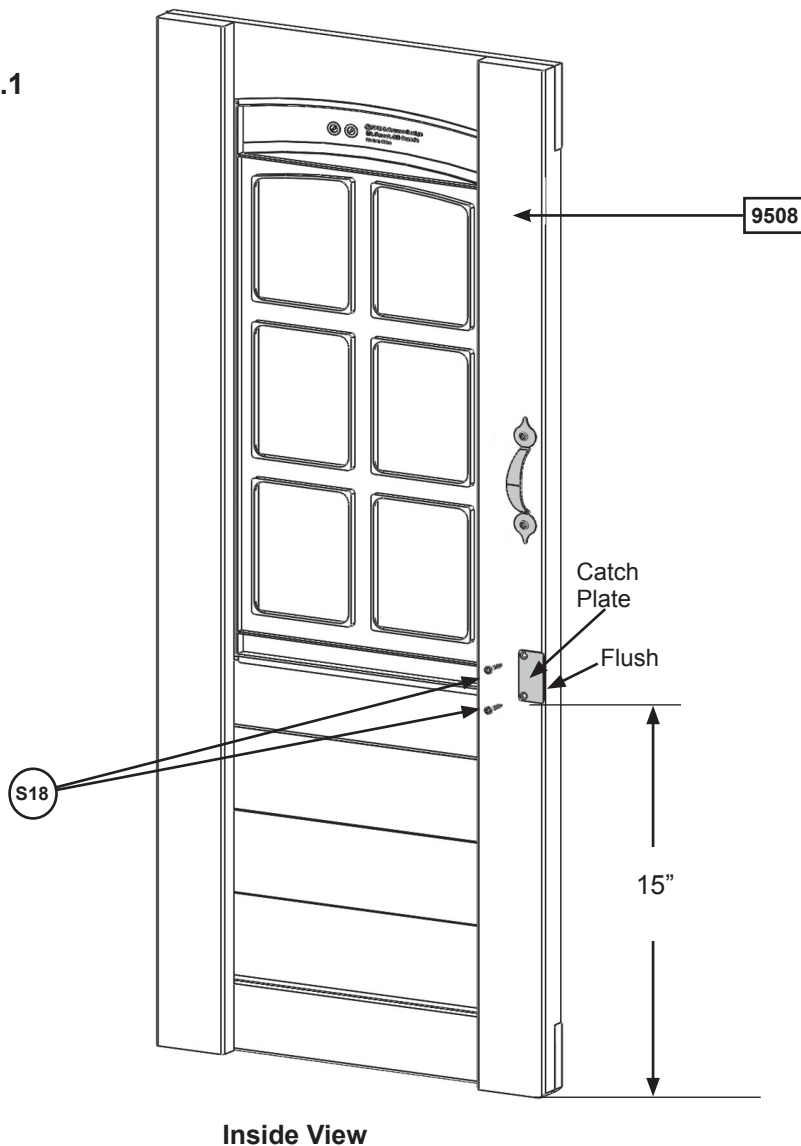
1 x Door Handle

## Step 23: Attach Catch Plate



**A:** On the inside of (9508) Door Window Panel measure 15" up from the bottom and attach Catch Plate flush to the edge using 2 (S18) #6 x 1" Wood Screws. (fig. 23.1)

Fig. 23.1



Inside View

### Hardware

2 x (S18) #6 x 1" Wood Screw

### Other Parts

1 x Catch Plate

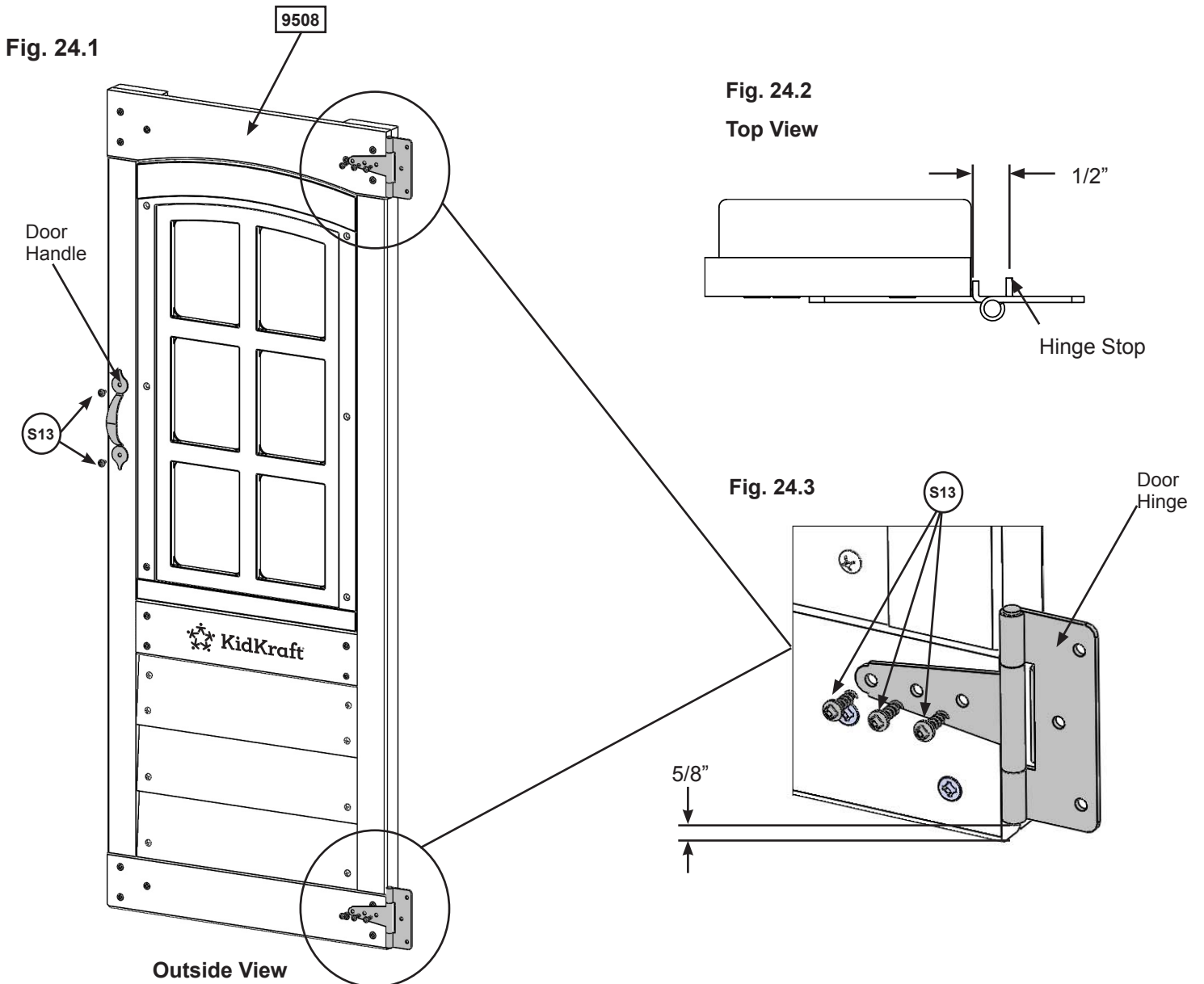
# Step 24: Attach Door Hinge



**C:** On the outside of the (9508) Door Window Panel attach the second Door Handle at approximately the same place as the one on the inside. Use 2 (S13) #6 x 5/8" Pan Screws. (fig. 24.1)

**D:** On the opposite side of the Door Handle measure 5/8" from the top and bottom of (9508) Door Window Panel attach 2 Door Hinges on the outside using 3 (S13) #6 x 5/8" Pan Screws per Hinge. (fig. 24.1 and 24.3)

**Note:** Hinge stops must be tight to (9508) Door Window Panel. (fig. 24.2)



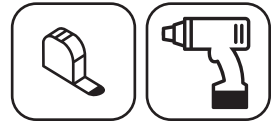
### Hardware

8 x (S13) #6 x 5/8" Pan Screw

### Other Parts

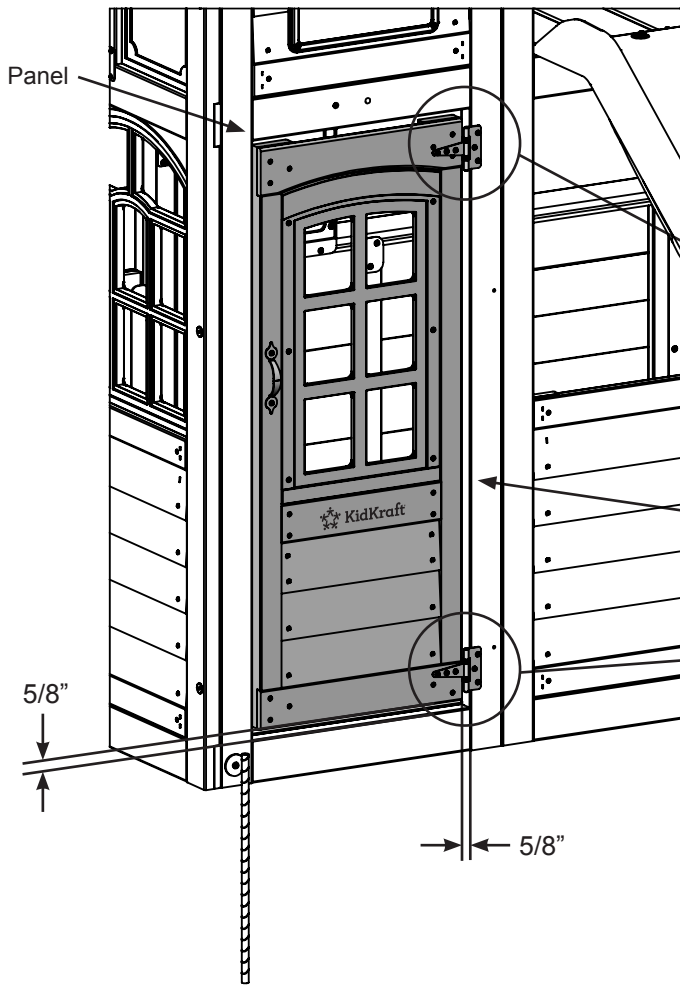
1 x Door Handle  
2 x Door Hinge

# Step 25: Attach Door Assembly to Fort

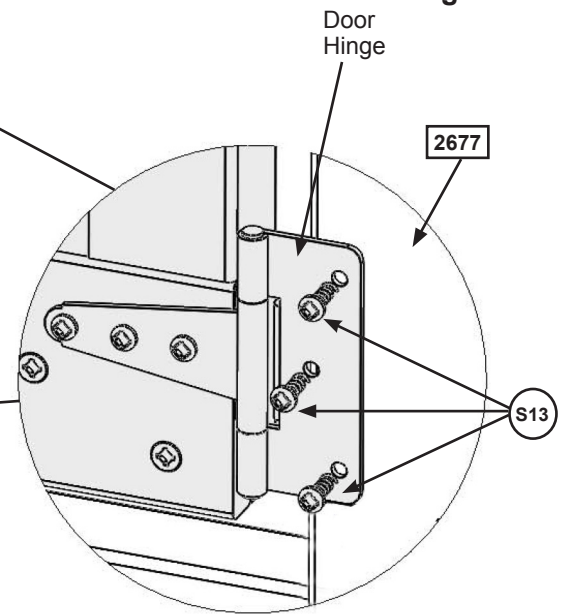


**A:** In the opening for the door as shown in Fig 25.1, measure 5/8" up from the bottom of the opening and maximum 5/8" from (2677) Narrow Panel and attach the remaining side of the hinges to (2677) Narrow Panel using 3 (S13) #6 x 5/8" Pan Screws per hinge. (fig. 25.1 and 25.2)


**Fig. 25.1**  
Outside View



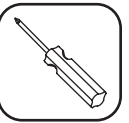
**Fig. 25.2**



### Hardware

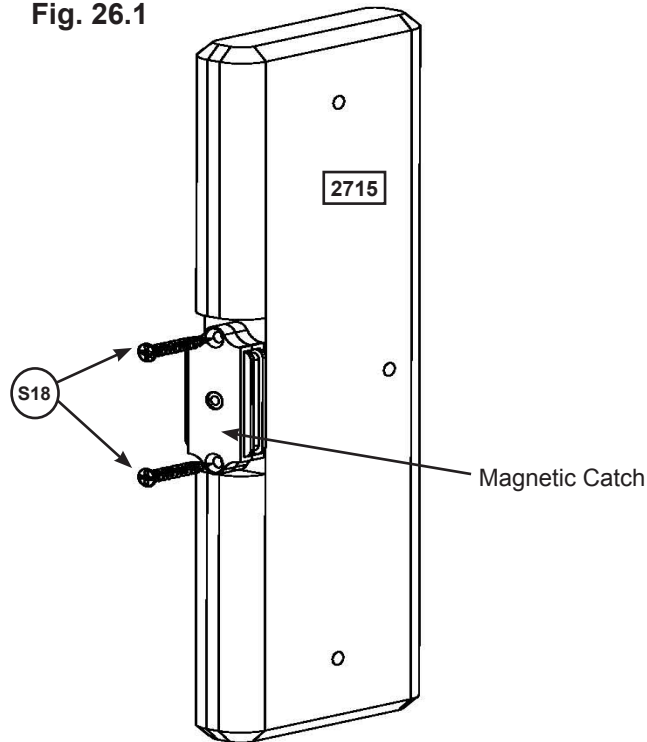
6 x  #6 x 5/8" Pan Screw

## Step 26: Door Stop Assembly



**A:** In the notched out opening of (2715) Door Stop attach the Magnetic Catch using 2 (S18) #6 x 1" Wood Screws. (fig. 26.1) **Important:** Use a hand held screw driver and **DO NOT** over tighten.

Fig. 26.1



### Wood Parts

1 x 2715 Door Stop 5/4 x 3 x 10"

### Hardware

2 x S18 #6 x 1" Wood Screw

### Other Parts

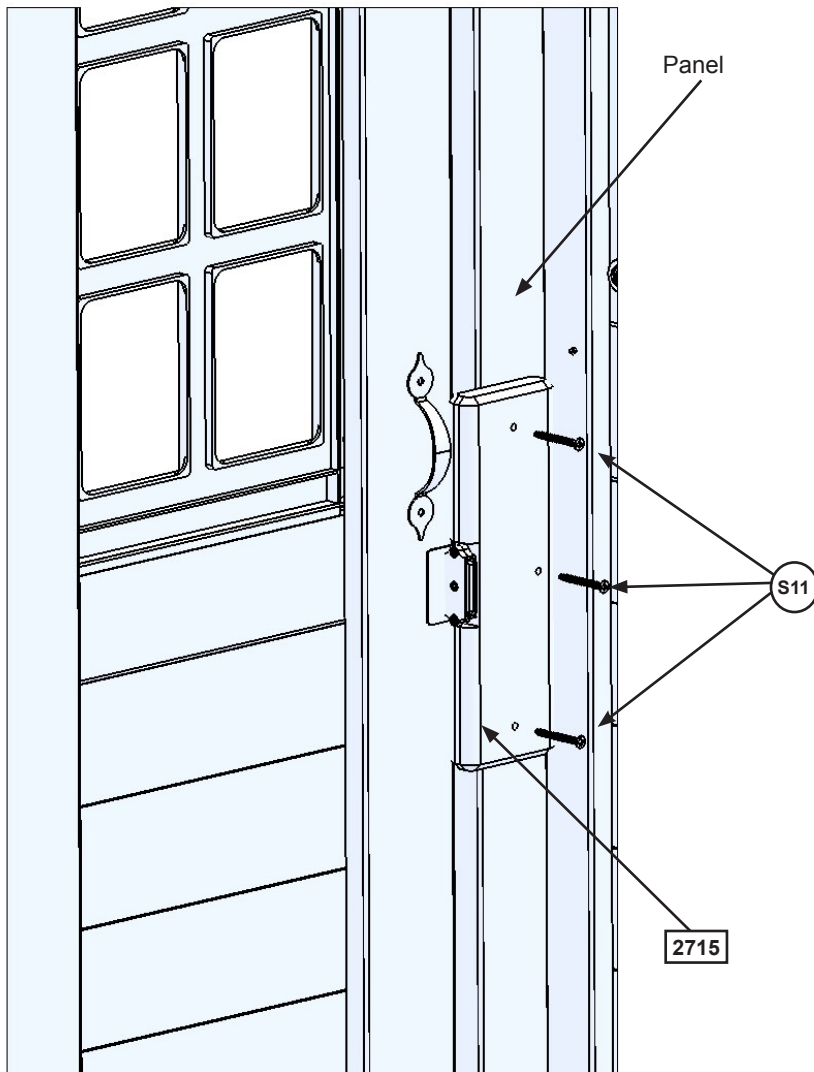
1 x Magnetic Catch

## Step 27: Attach Door Stop

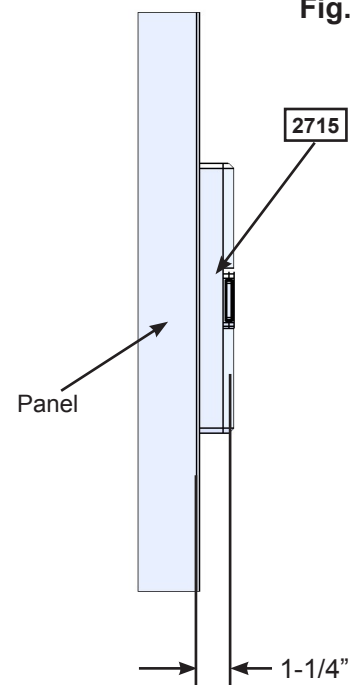


**A:** On the inside of the assembly, attach (2715) Door Stop to the panel with 3 (S11) #8 x 2" Wood Screws, making sure (2715) Door Stop overhangs the panel by 1-1/4" and is in position to receive the Catch Plate. (fig. 27.1 and 27.2).


**Fig. 27.1**  
Inside View



**Fig. 27.2**



### Hardware

3 x  #8 x 2" Wood Screw

# Step 28: Slide Section Assemblies

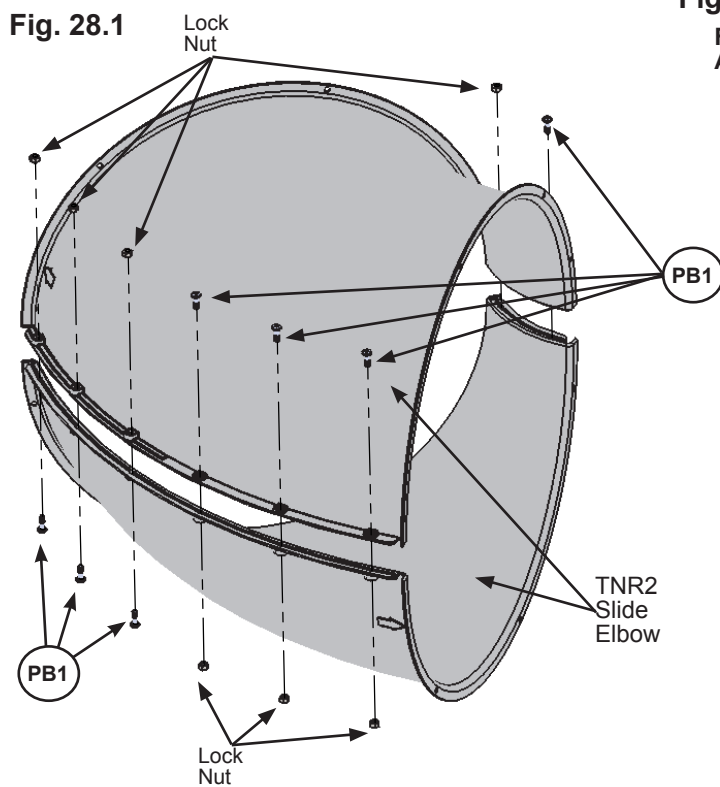


**Note:** When installing Pan Bolts make sure to look at holes so bolts go through the side with the round recess and the lock nuts go through the side with the hexagonal recess. (fig. 28.3)

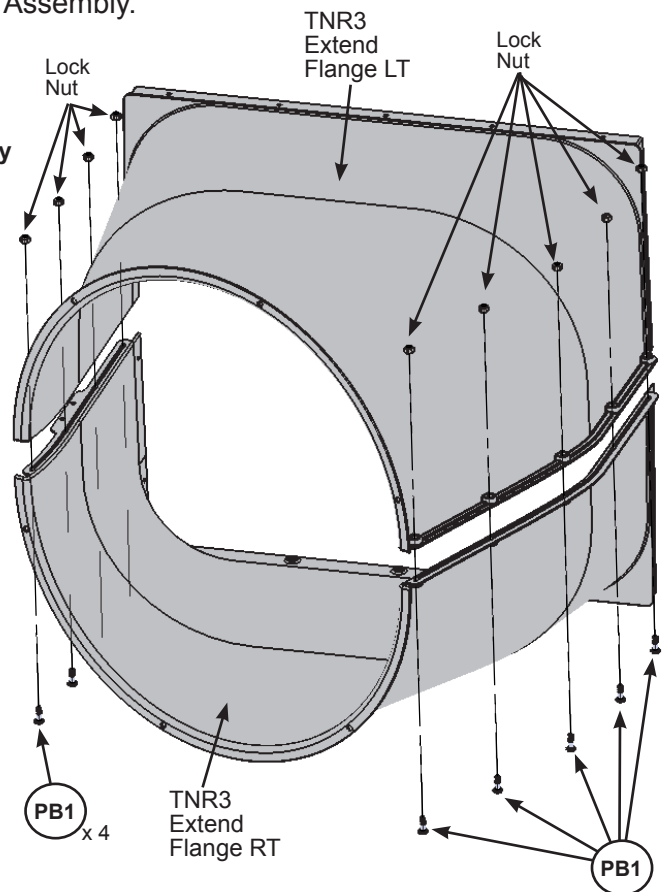
**A:** Fit 2 TNR2 Slide Elbows together and attach with 8 (PB1) 1/4 x 3/4" Pan Bolts (with lock nut) as shown in fig. 28.1. It is very important to attach bolts as indicated.

**B:** Repeat Step A 3 more times to create 4 Elbow Sections in total.

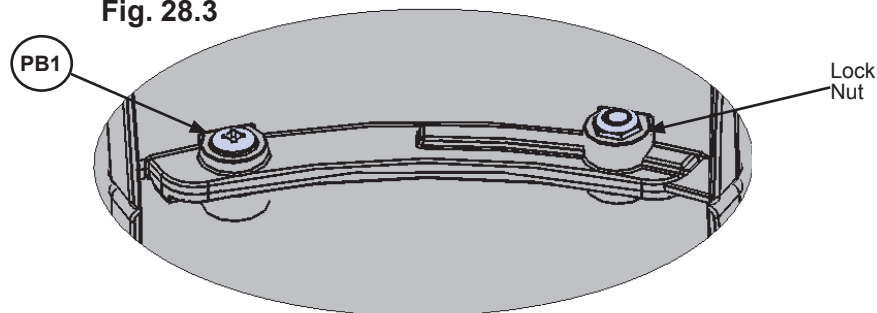
**C:** Attach TNR3 Extend Flange RT and TNR3 Extend Flange LT together using 9 (PB1) 1/4 x 3/4" Pan Bolts (with lock nut) as shown in fig. 28.2. This creates the Flange Assembly.



**Fig. 28.2**  
Flange Assembly



**Fig. 28.3**



**Hardware**

41 x (PB1) 1/4 x 3/4" Pan Bolt  
(1/4" lock nut)

**Other Parts**

1 x TNR3 Extend Flange RT  
1 x TNR3 Extend Flange LT  
8 x TNR2 Slide Elbow

# Step 29: Slide Section Assemblies



**Note:** When installing Pan Bolts make sure to look at holes so bolts go through the side with the round recess and the lock nuts go through the side with the hexagonal recess. (fig. 29.3)

**D:** Attach TNR2 Slide Exit Top and the remaining TNR2 Slide Elbow together using 8 (PB1) 1/4 x 3/4" Pan Bolts (with lock nut) as shown in fig. 29.1. It is very important to attach bolts as indicated. This creates the Exit Elbow Assembly.

Fig. 29.1

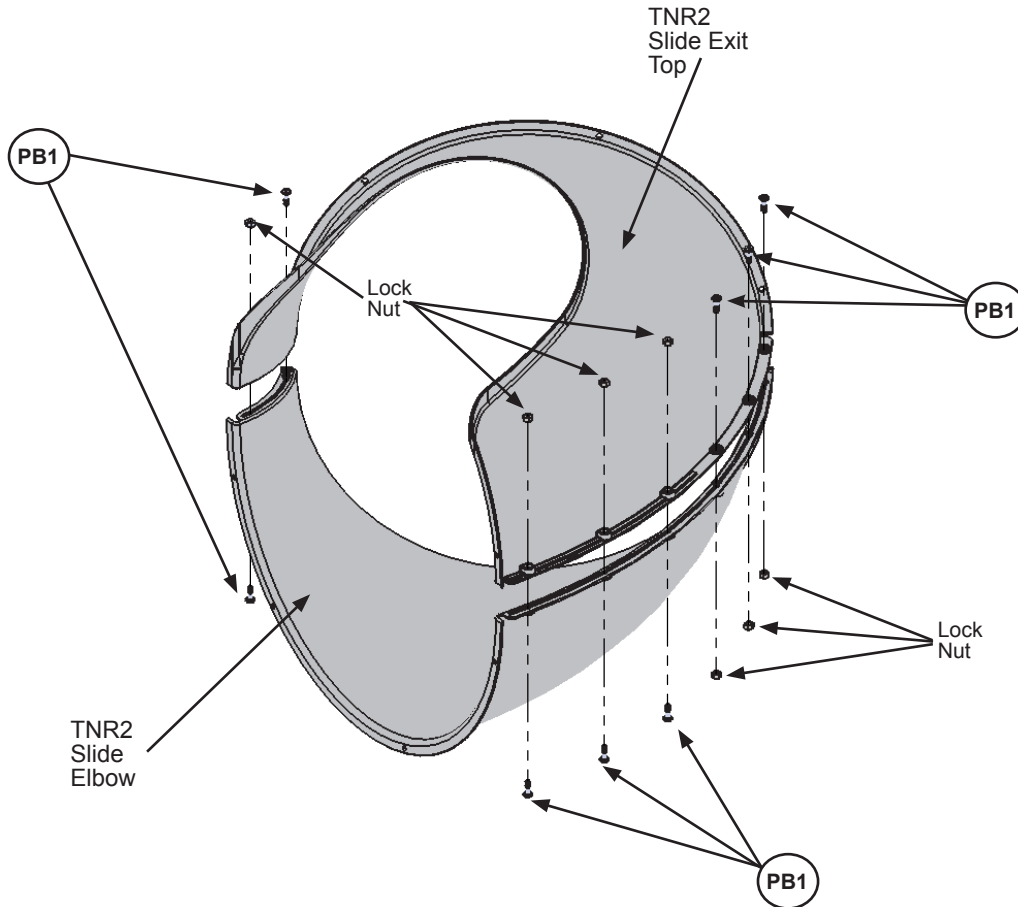
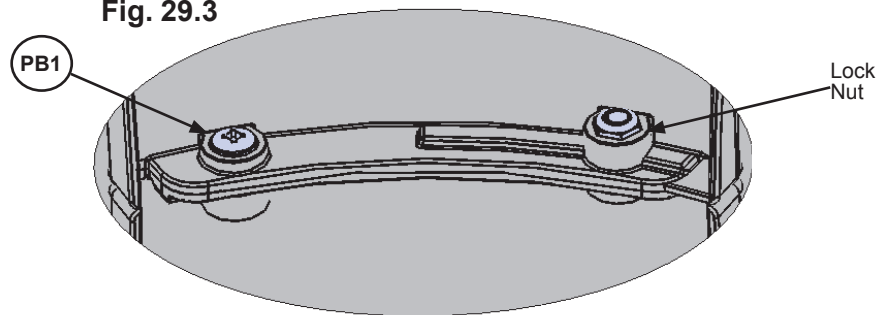


Fig. 29.3



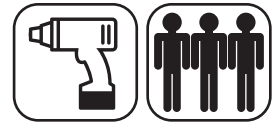
### Hardware

8 x (PB1) 1/4 x 3/4" Pan Bolt  
(1/4" lock nut)

### Other Parts

1 x TNR2 Slide Exit Top  
1 x TNR2 Slide Elbow

# Step 30: Attach Elbow Assembly to Flange Assembly



**Note:** Keep all bolts loose until further step.

**A:** Fit one of the Elbow Assemblies to the Flange Assembly by lining up the arrows on each assembly. Attach Elbow Assembly to Flange Assembly using 6 (PB1)  $\frac{1}{4}$  x  $\frac{3}{4}$ " Pan Bolts and Square Lock Nut. (fig. 30.1, 30.2 and 30.3)

**B:** Attach one of the Elbow assemblies to another Elbow Assembly making sure to line up the arrows on each assembly. Attach 6 ( $\frac{1}{4}$  x 12.7mm) Pan Bolt with Square Lock Nut. Repeat this instruction for 2 more. (fig. 30.2, 30.3 and 30.4)

**Use Quadrex Driver as a guide pin for each hole before inserting bolt.**

Fig. 30.1

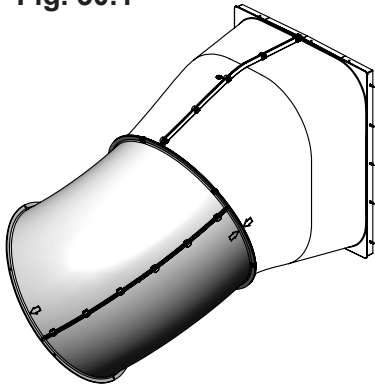


Fig. 30.2  
Top Slide Bolt Holes

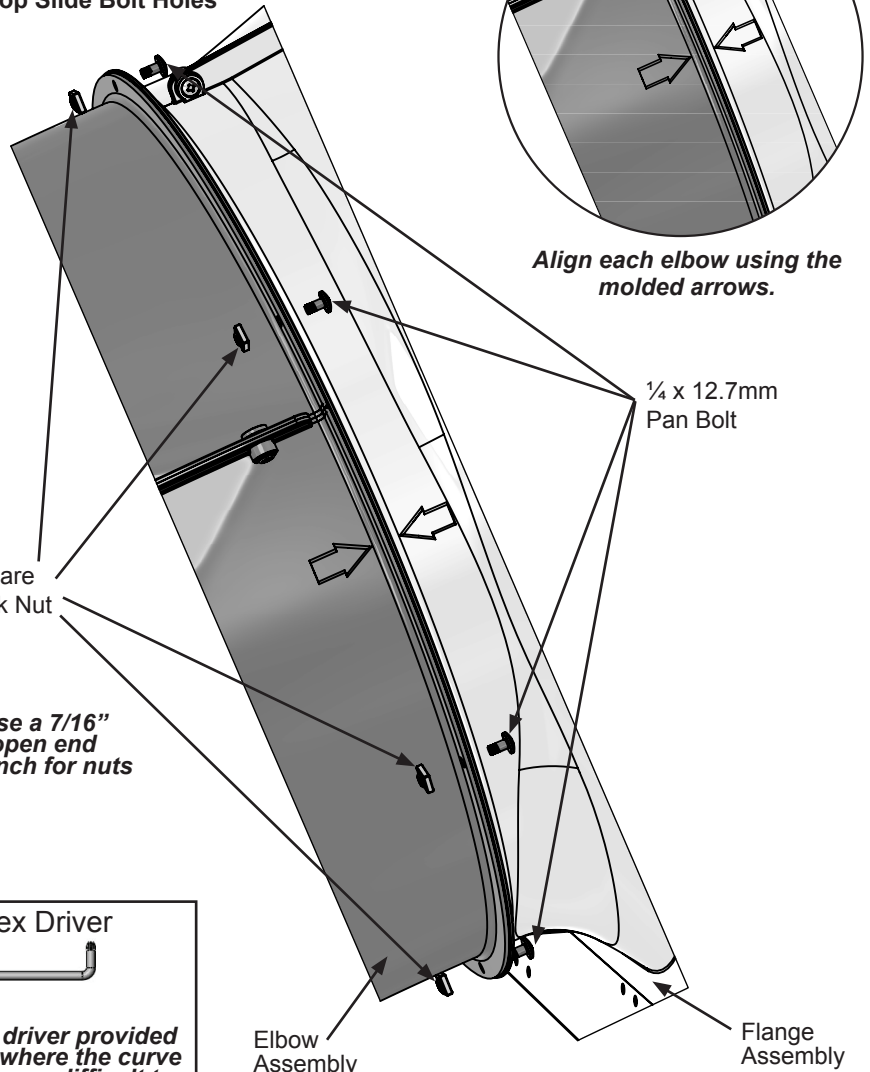
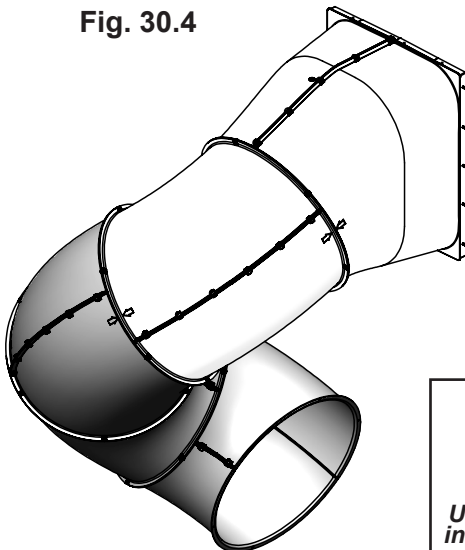


Fig. 30.3

Align each elbow using the molded arrows.

Fig. 30.4



Use a  $\frac{7}{16}$ " open end wrench for nuts

Quadrex Driver



Use special driver provided in locations where the curve of the elbow are difficult to reach with a standard driver.

## Other Parts

- 1 x Quadrex Driver
- 24 x  $\frac{1}{4}$  x 12.7mm Pan Bolt
- 24 x  $\frac{1}{4}$ " Square Lock Nut

# Step 31: Attach TNR 3 Slide Exit to Elbow Assembly



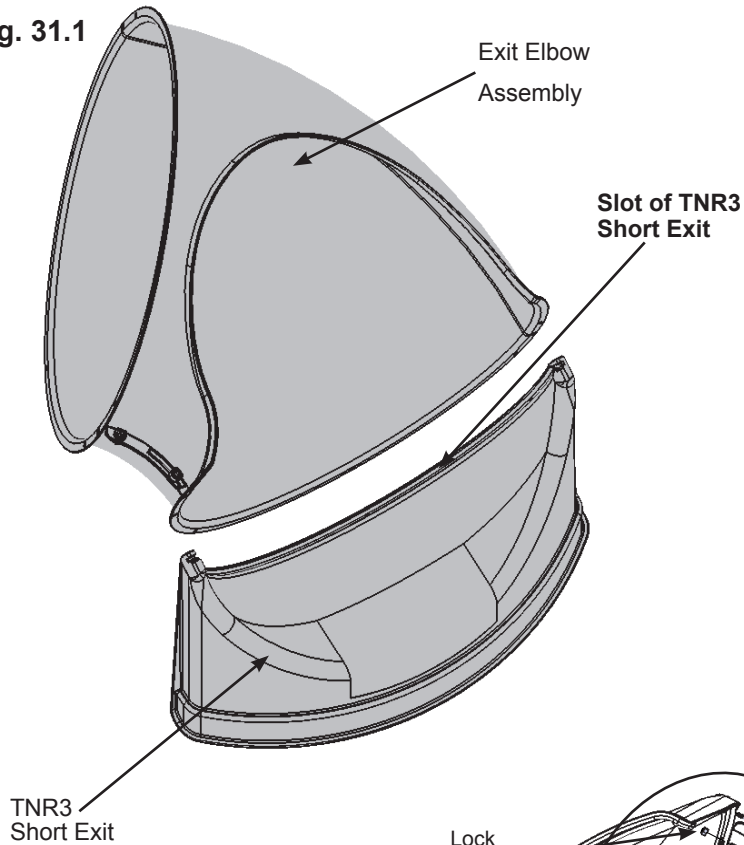
**A:** Insert flange of Exit Elbow Assembly (slide elbow) into the slots on TNR3 Short Exit. (fig. 31.1)

**B:** Rotate Slide Exit and use Quadrex Driver as a guide pin so the holes are aligned and attach with 5 (PB1) 1/4 x 3/4" Pan Bolts (with lock nuts) starting with the bottom middle hole and working up each side. (fig. 31.2 and 31.3)

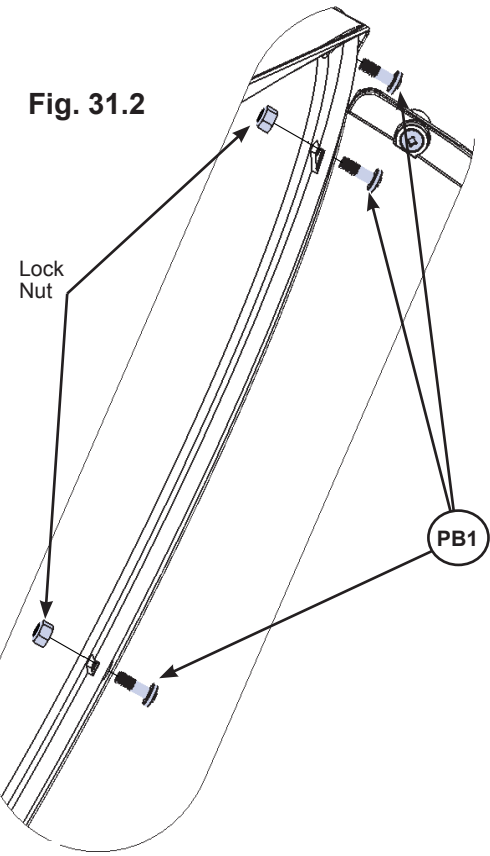
**C:** At this point make sure all the slide bolts are tight.

*Use a 7/16" open end wrench to hold nut and then tighten bolt with Quadrex Driver.*

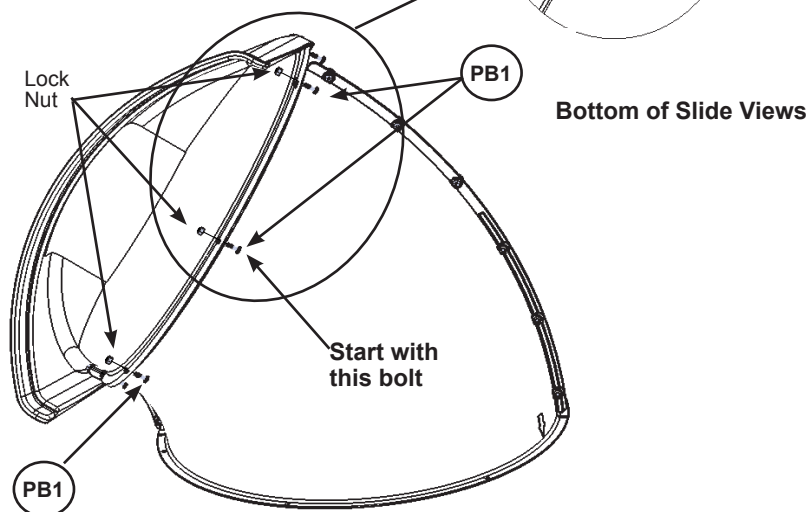
**Fig. 31.1**



**Fig. 31.2**



**Fig. 31.3**



**Hardware**

5 x 1/4 x 3/4" Pan Bolt  
(1/4" lock nut)

**Other Parts**

1 x TNR3 Short Exit

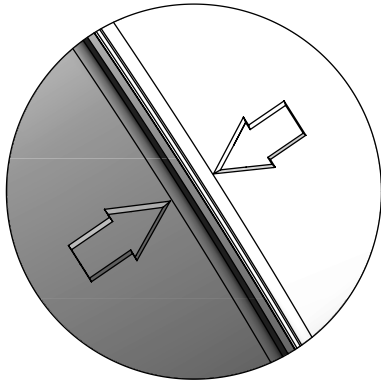
## Step 32: Attach Exit End Assembly



**A:** Fit the Exit End Assembly to the last Elbow Assembly by lining up the arrows on each assembly. Notice the elbow orientation. (fig. 32.1 and 32.2). Attach with 6 (1/4" x 12.7mm) Pan Bolts and Square Lock Nuts. (fig. 32.3)

**Tighten all slide bolts before the clamp rings go on in the next step.**

Fig. 32.2



Align each elbow using the molded arrows.

Fig. 32.1

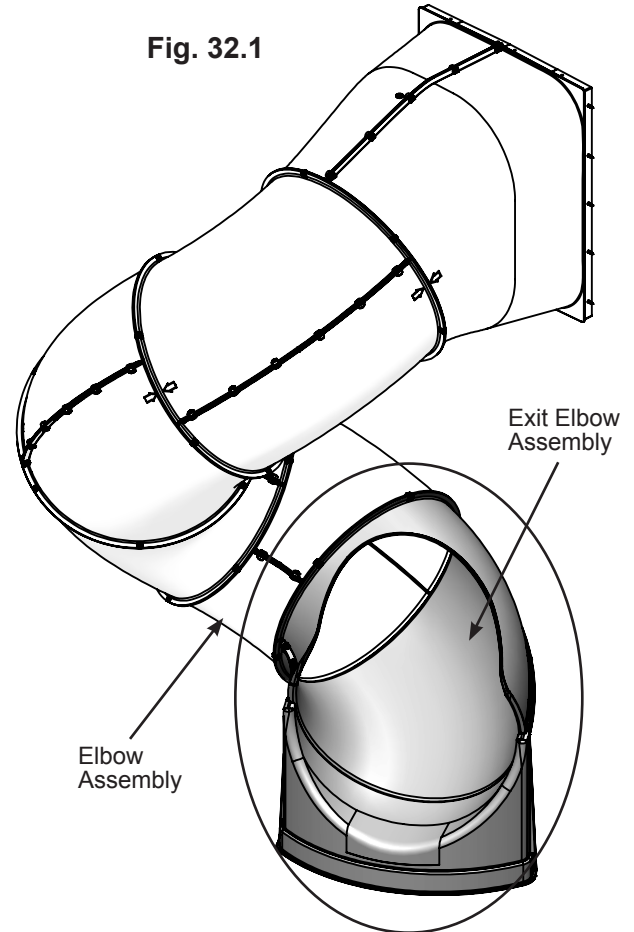
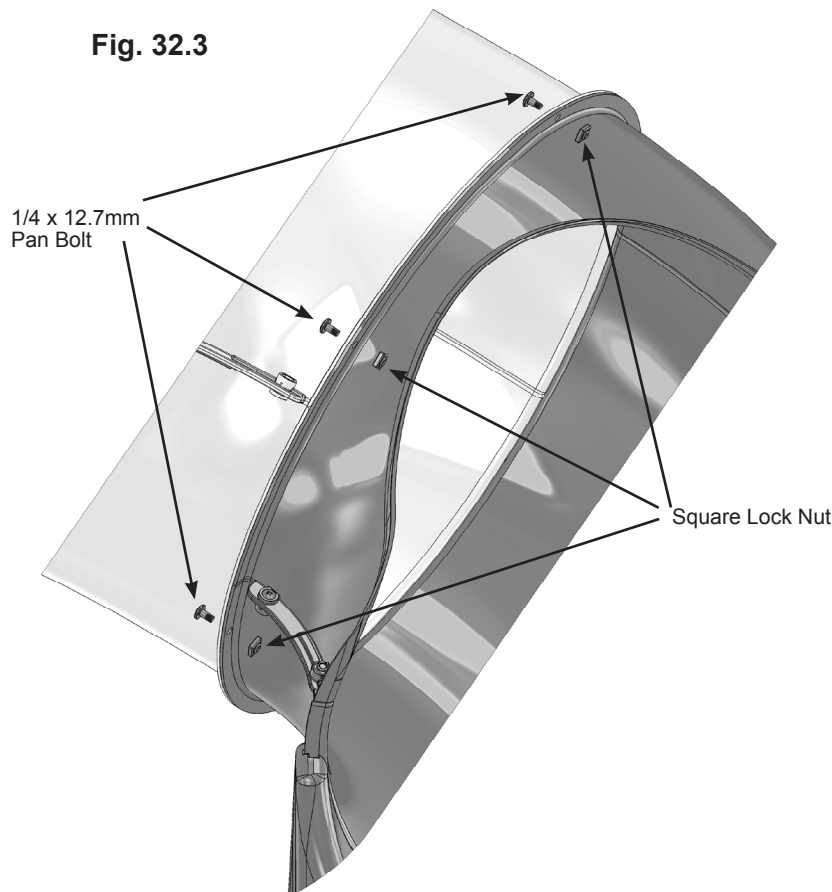


Fig. 32.3



### Other Parts

6 x 1/4" x 12.7mm Pan Bolt  
6 x 1/4" Square Lock Nut

# Step 33: Attach TNR 4 Clamp Rings

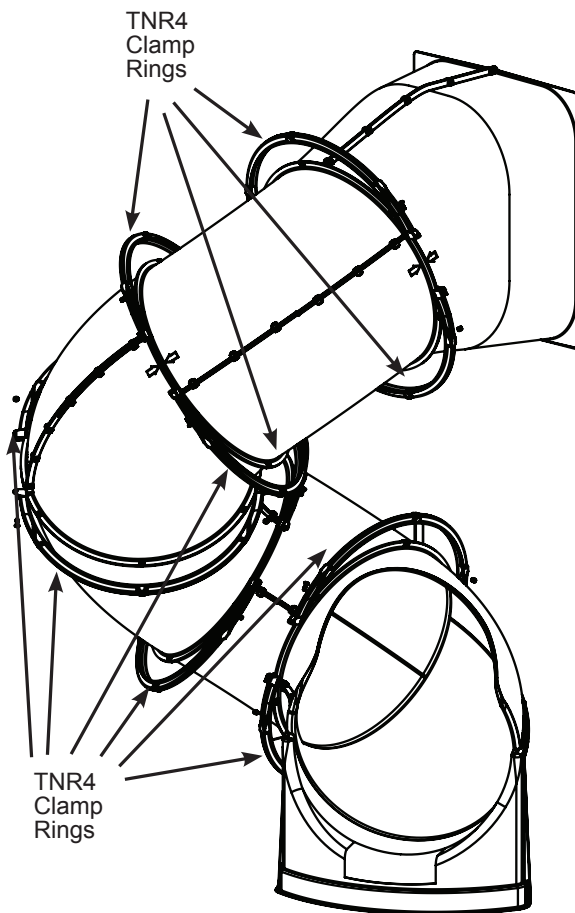


**A:** Place 2 TNR4 Clamp Rings around each joint making sure to match the arrows with the end of the Clamp Ring as shown in (fig. 33.1 & 33.2 ).

**B:** Connect TNR4 Clamp Rings in 2 spots using 1 (PB6) 1/4 x 1" Pan Bolt (with lock nut) per side. (fig. 33.3)

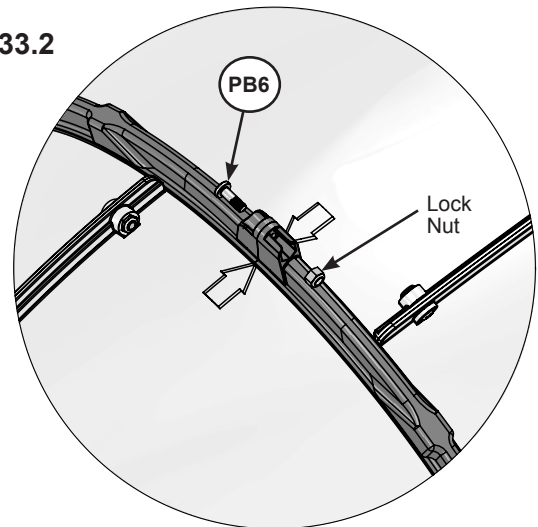
**Note:** When installing Pan Bolts make sure to look at holes so bolts go through the side with the round recess and the lock nuts go through the side with the hexagonal recess.

Fig. 33.1



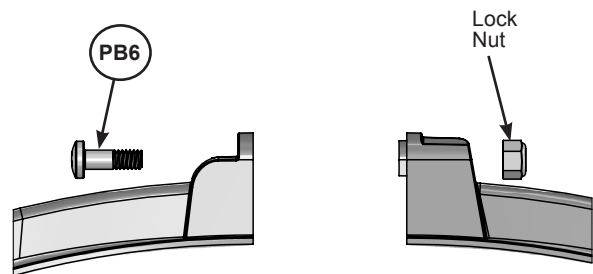
**Note:** For ease of assembly the bottom set of clamp rings can be turned 90 degrees to install bolts.

Fig. 33.2




**Make sure arrows are aligned**

Fig. 33.3



**After the clamp rings are attached to the elbows, fasten them end to end with two pan bolts and lock nuts**

### Hardware

10 x  1/4 x 1" Pan Bolt  
(1/4" lock nut)

### Other Parts

10 x TNR4 Clamp Ring

# Step 34: Attach Flange Assembly to Fort Part 1



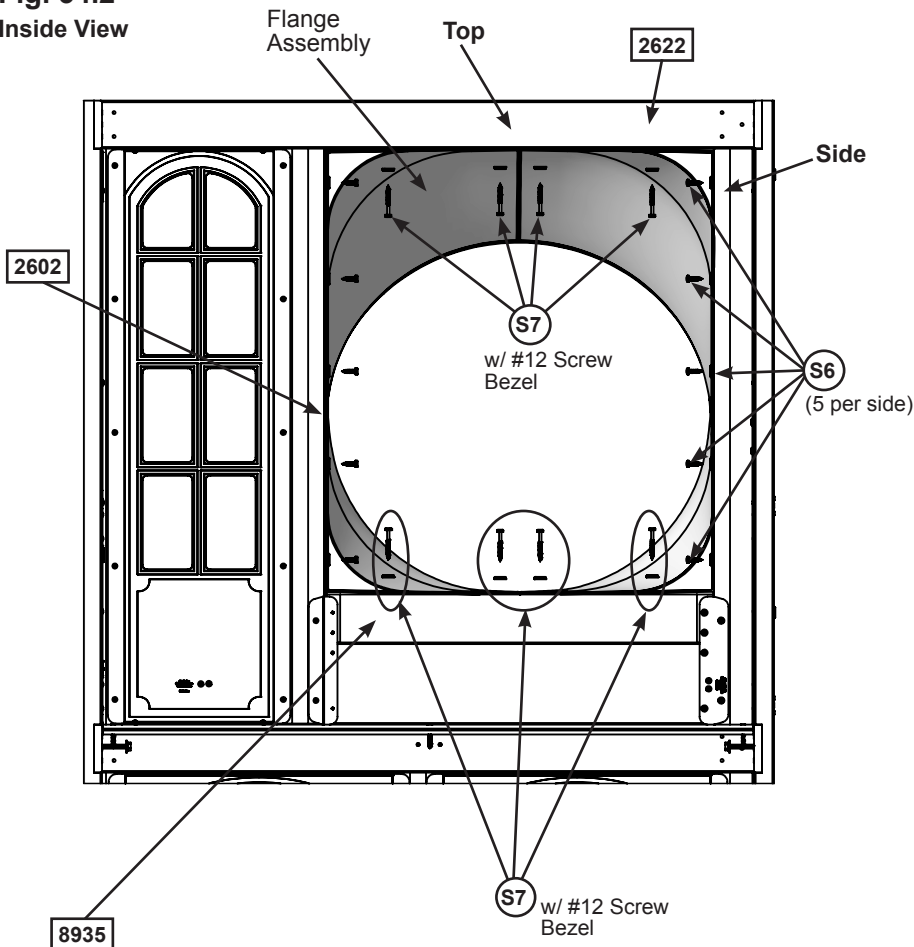
**Note: Structure partly removed for clarity.**

**A:** With a helper place the Flange Assembly flush to the top opening in (2622) End Panel Assembly as shown in fig. 34.1, then pre-drill 1/8" pilot holes in (8935) Lower SL Insert for the 4 bottom mounting locations (approximate spots where circles are on figure), making sure the pre-drilled holes are a minimum of 1" deep. (fig. 34.2)

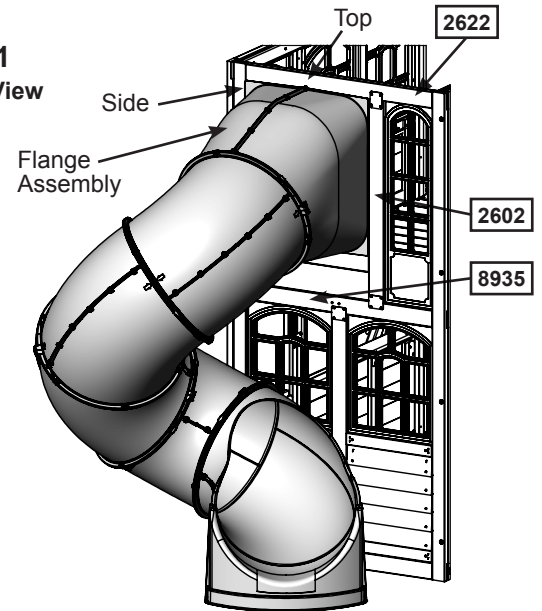
**B:** Attach Flange Assembly to (8935) Lower SL Insert using 4 (S7) #12 x 2" Pan Screws (with #12 Screw Bezel) in the pre-drilled holes. (fig. 34.2) Make sure the flat surfaces of the Flange Assembly are flush to the (2622) End Panel Assembly and (2602) Upper Jamb as shown in fig. 34.3.

**C:** Attach the Flange Assembly flush to top of (2622) End Panel Assembly using 4 (S6) #12 x 1" Pan Screws (with #12 Screw Bezel) and to (2602) Upper Jamb and side of (2622) End Panel Assembly using 5 (S6) #12 x 1" Pan Screws per side. (fig. 34.2)

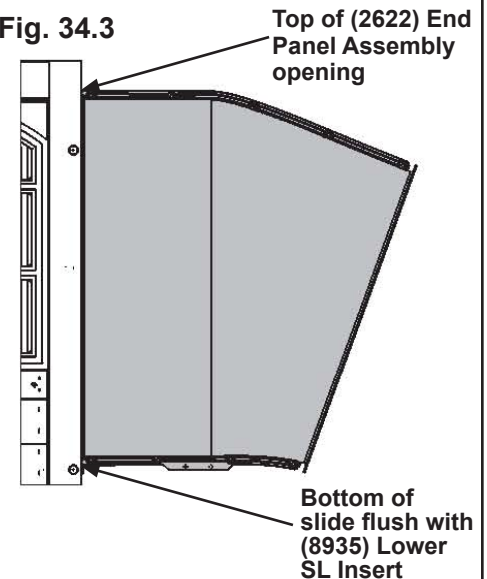
**Fig. 34.2**  
Inside View



**Fig. 34.1**  
Outside View



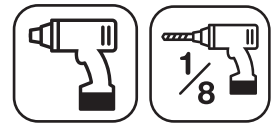
**Fig. 34.3**



## Hardware

- 10 x (S6) #12 x 1" Pan Screw
- 8 x (S7) #12 x 2" Pan Screw
- 8 x #12 Screw Bezel

# Step 34: Attach Flange Assembly to Fort Part 2



**D:** Place (8934) SL Gusset tight to (2622) End Panel Assembly, flush to the top of the bottom opening and attach to Flange Assembly with 2 (S6) #12 x 1" Pan Screws. (fig. 34.4 and 34.5)

**E:** Pre-drill pilot hole with a 1/8" drill bit then attach (8934) SL Gusset to (2622) End Panel Assembly with 1 (WL5) 1/4 x 2-1/2" Wafer Lag (with flat washer). (fig. 34.4 and 34.5)

Fig. 34.4

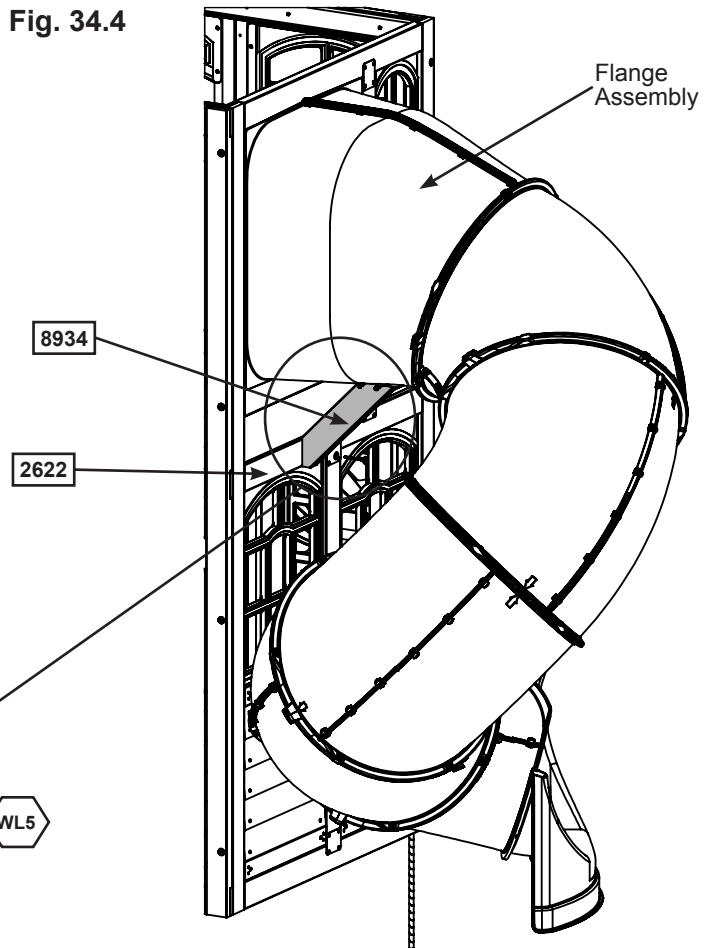
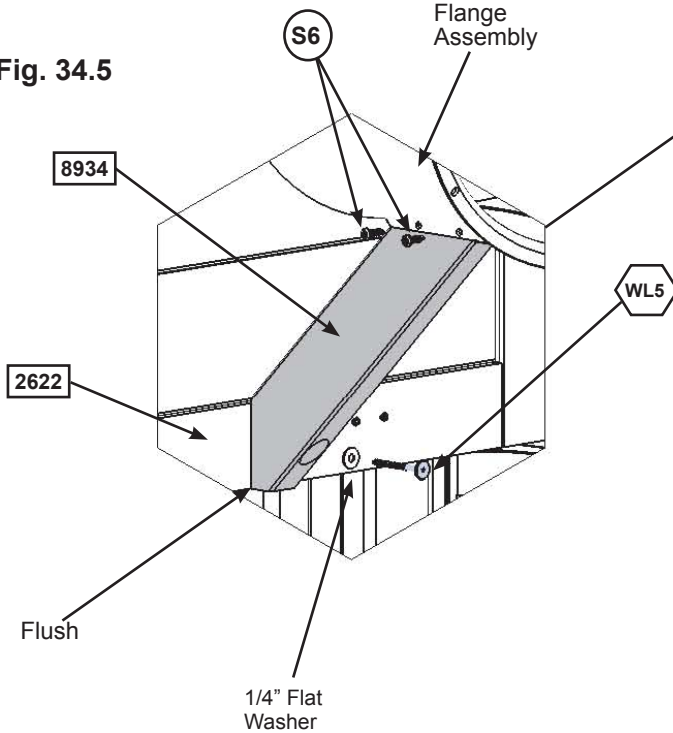


Fig. 34.5



**Wood Parts**

1 x **8934** SL Gusset 1-1/4 x 3 x 15-3/4"

**Hardware**

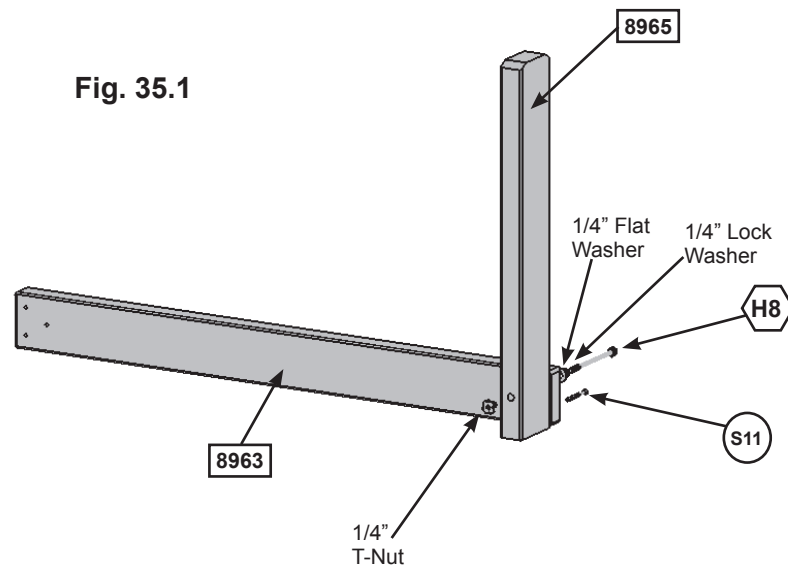
2 x **S6** #12 x 1" Pan Screw

1 x **WL5** 1/4 x 2-1/2" Wafer Lag (1/4" flat washer)

# Step 35: TNR Brace Assembly



**A:** Attach (8965) TNR Upright to (8963) TNR Ground Brace with 1 (H8) 1/4 x 4-1/4" Hex Bolt (with lock washer, flat washer and t-nut) in the top hole. Make sure both boards are square then attach with 1 (S11) #8 x 2" Wood Screw. (fig. 35.1)



### Wood Parts

- 1 x 8963 TNR Ground Brace 1-1/4 x 3 x 32-1/4"
- 1 x 8965 TNR Upright 1-1/4 x 3 x 20-1/4"

### Hardware

- 1 x S11 #8 x 2" Wood Screw
- 1 x H8 1/4 x 4-1/4" Hex Bolt (1/4" lock washer, 1/4" flat washer, 1/4" t-nut)

# Step 36: Attach TNR 3 Tube Support to Fort



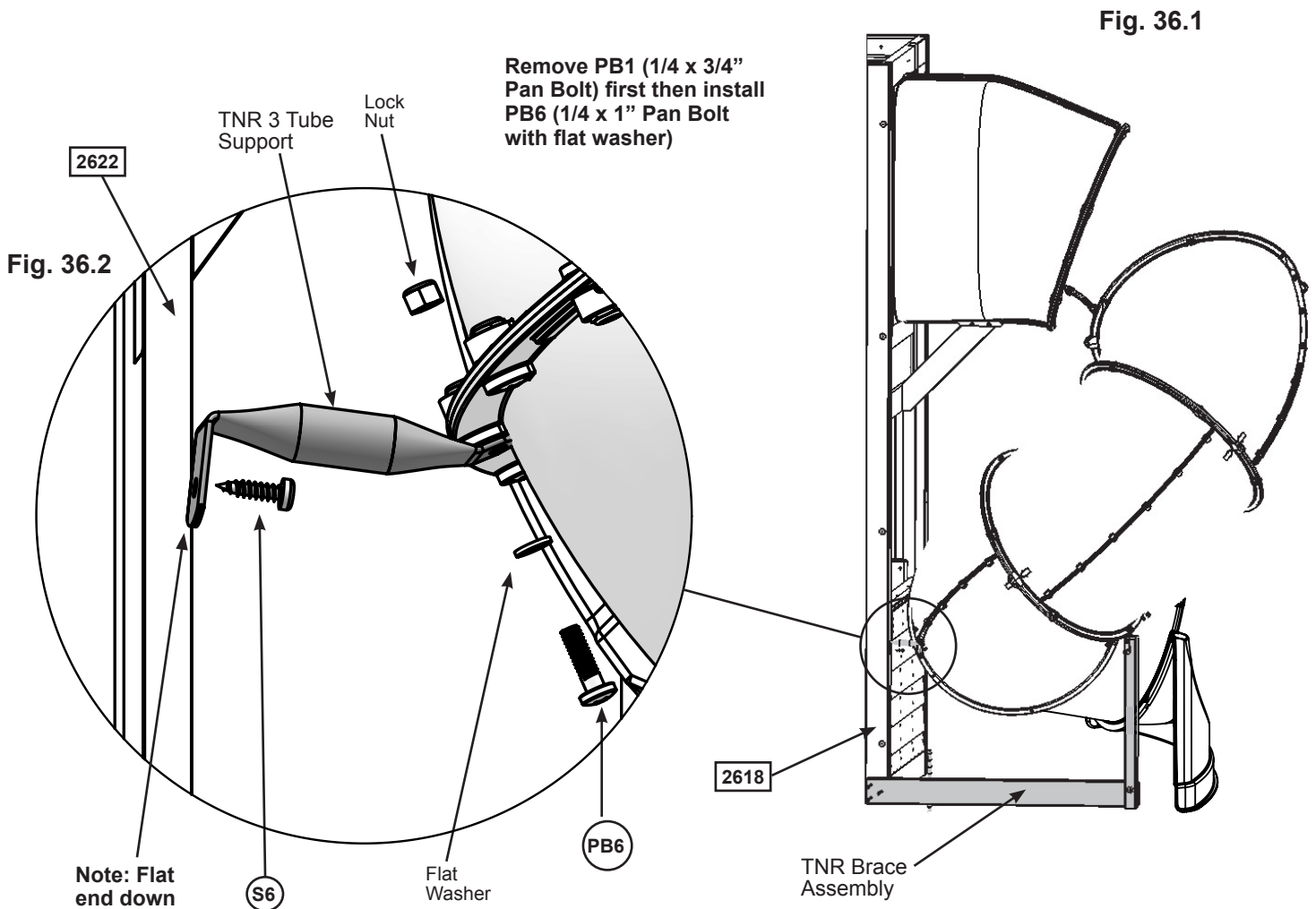
**A:** Place TNR Brace Assembly against (2618) Front Back Panel so it sits under the slide. It is not attached yet. (fig. 36.1)

**B:** On the fourth Elbow Assembly attached remove the pan bolt and nut which is facing the fort (installed in Step 29). (fig. 36.1) **The bolt will no longer be needed, but keep the lock nut.**

**C:** Loosely attach TNR3 Tube Support (at the slightly bent end) to the slide seam using 1 (PB6) 1/4 x 1" Pan Bolt (with flat washer and the previously removed lock nut). (fig. 36.2)

**D:** Rotate TNR3 Tube Support and attach to (2622) End Panel Assembly using 1 (S6) #12 x 1" Pan Screw as shown in fig. 36.2.

**E:** Fully tighten screw and bolt.



### Hardware

- 1 x (S6) #12 x 1" Pan Screw
- 1 x (PB6) 1/4 x 1" Pan Bolt (1/4" flat washer & 1/4" lock nut - previously removed)

### Other Parts

- 1 x TNR3 Tube Support

# Step 37: Attach TNR Brace Assembly



- A:** Place 1 TNR4 Post Mount Clamp on either side of the Clamp Ring so that the bent tops clip in behind the Clamp Ring. (fig. 37.2)
- B:** Insert the TNR4 Post Mount Base in between the 2 Post Mount Clamps and screw all pieces together using 1 1/4 x 14.5mm Pan Head Bolt and Square Nylock Nut. (fig. 37.2)
- C:** Attach TNR4 Post Mount Base to (8965) TNR Upright, pre-drill with a 1/8" drill bit then attach with 2 (S6) #12 x 1" Pan Screws. (fig. 37.2)
- D:** Attach the Post Mount Clamp to the clamp ring using 1 (S37) #7 x 5/8" Pan Screw. (fig. 37.2)
- E:** Attach (8963) TNR Ground Brace flush to the bottom of (2618) Front Back Panel with 2 (S11) #8 x 2" Wood Screws and 1 (S4) #8 x 3" Wood Screw. (fig. 37.1 and 37.3)

Fig. 37.1

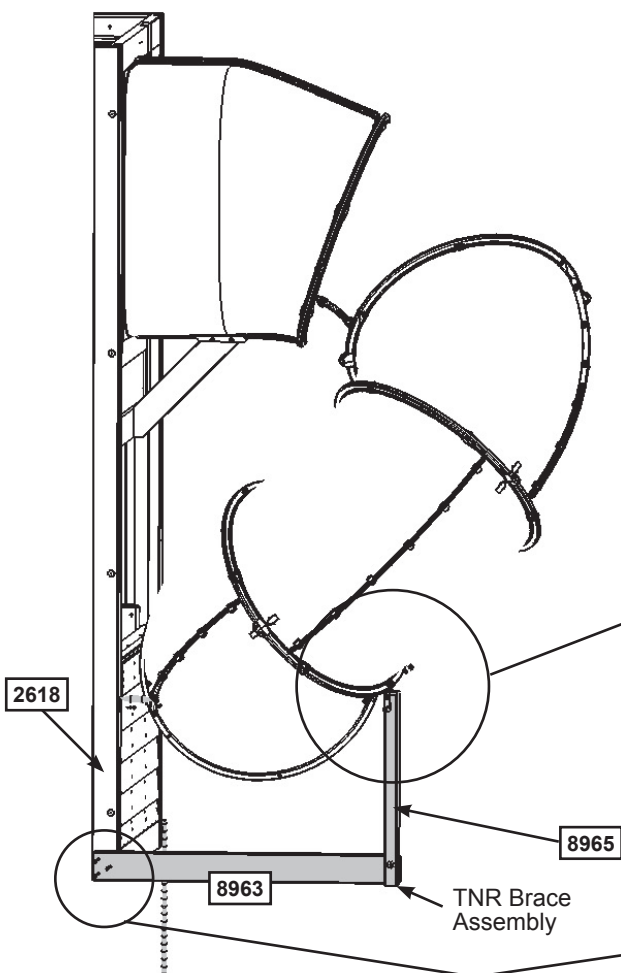


Fig. 37.2

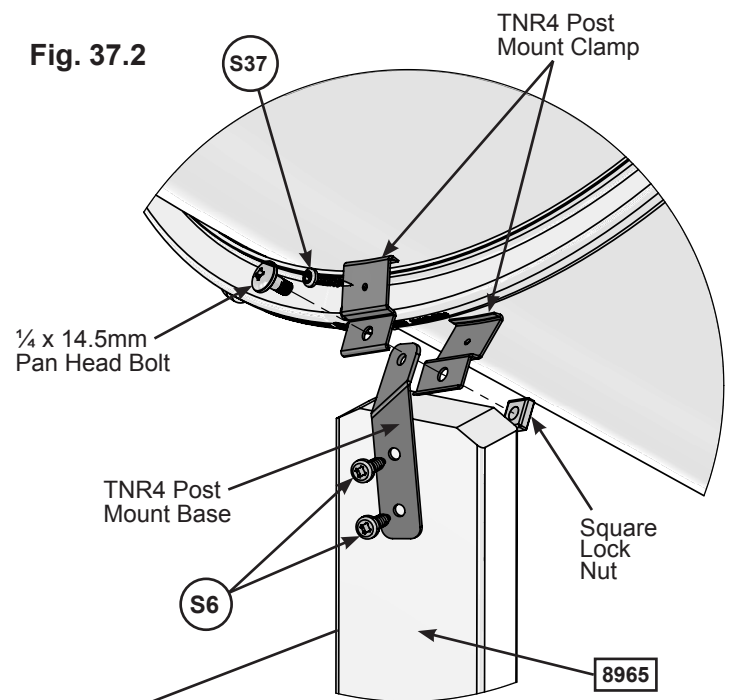
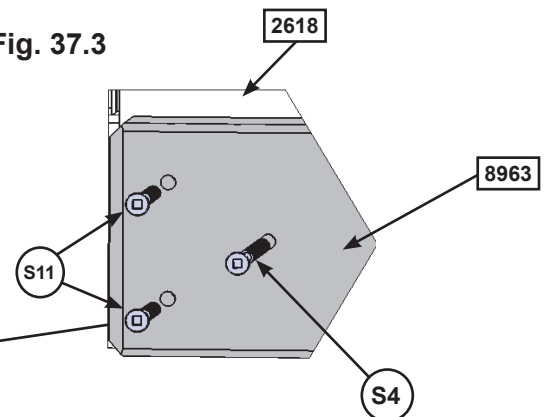


Fig. 37.3



### Hardware

- 2 x (S6) #12 x 1" Pan Screw
- 1 x (S4) #8 x 3" Wood Screw
- 2 x (S11) #8 x 2" Wood Screw
- 1 x (S37) #7 x 5/8" Pan Screw

### Other Parts

- 2 x TNR4 Post Mount Clamp
- 1 x TNR 4 Post Mount Base
- 1 x 1/4 x 14.5 mm Pan Head Bolt
- 1 x Square Lock Nut

## Step 38: Attach Ground Stake to TNR Upright



**A:** In the spot shown in fig. 38.1 drive 1 Rebar Ground Stake 13" into the ground against the (8965) TNR Upright. Be careful not to hit the washer while hammering stake into the ground as this could cause the washer to break off.

**B:** Attach the ground stake to (8965) TNR Upright just below the t-nut using 1 (S7) #12 x 2" Pan Screw as shown in fig. 38.2.

**C:** After driving stakes into the ground, check for sharp edges caused by the impact of the hammer. Smooth any sharp edges from impact area and touch up with outdoor paint.



**Warning!** To prevent tipping and avoid potential injury, stakes must be driven 13" into ground. Digging or driving stakes can be dangerous if you do not check first for under-ground wiring, cables or gas lines.

Fig. 38.1

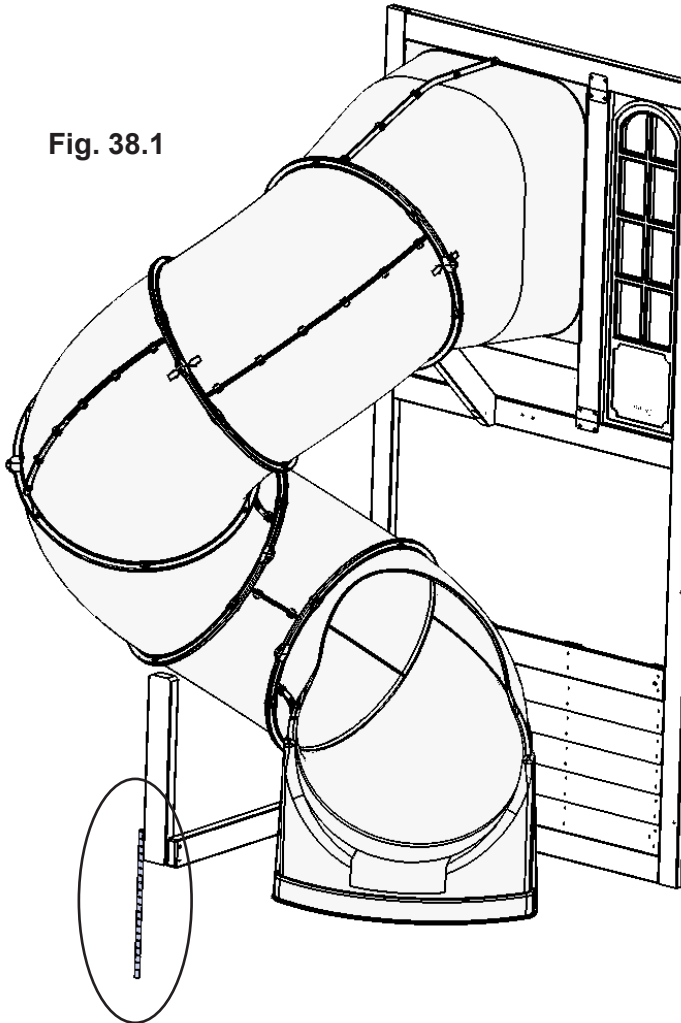
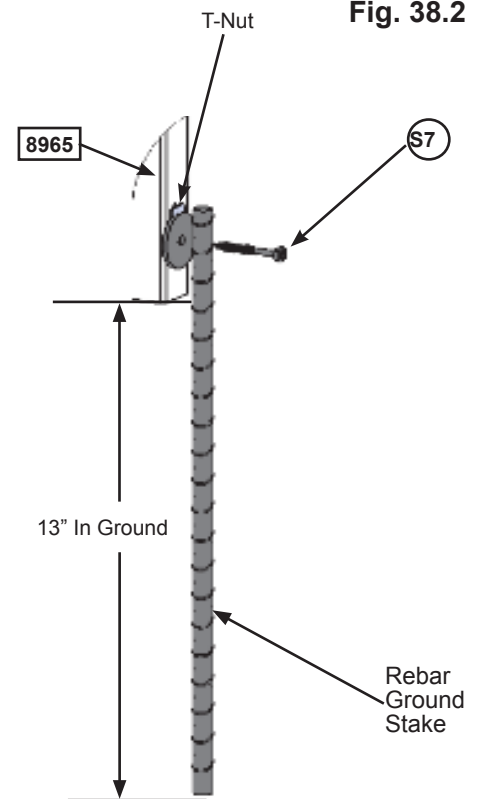


Fig. 38.2



### Hardware

1 x (S7) #12 x 2" Pan Screw

### Other Parts

1 x Rebar Ground Stakes

# Step 39: Roof Support Assemblies



**A:** Attach 1 (2617) Roof Support to a second (2617) Roof Support at peak using 1 (S4) #8 x 3" Wood Screw. Repeat this step so there are 2 Roof Support Assemblies. (fig. 39.1)

**B:** Attach 1 (2680) Roof Support to a second (2680) Roof Support at peak using 1 (S4) #8 x 3" Wood Screw. Repeat this step so there are 2 Small Roof Support Assemblies. (fig. 39.2)

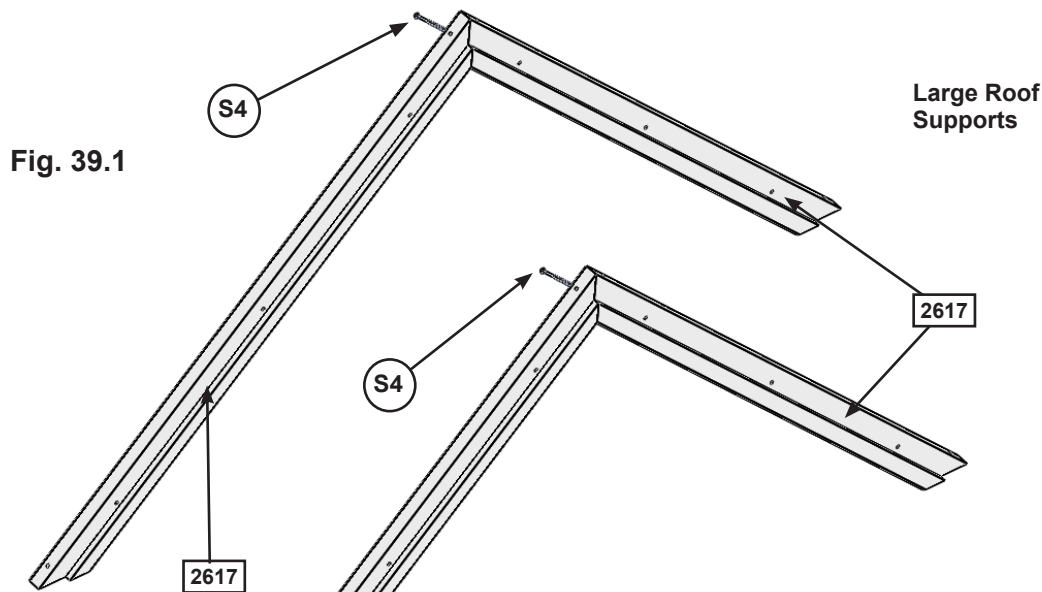


Fig. 39.1

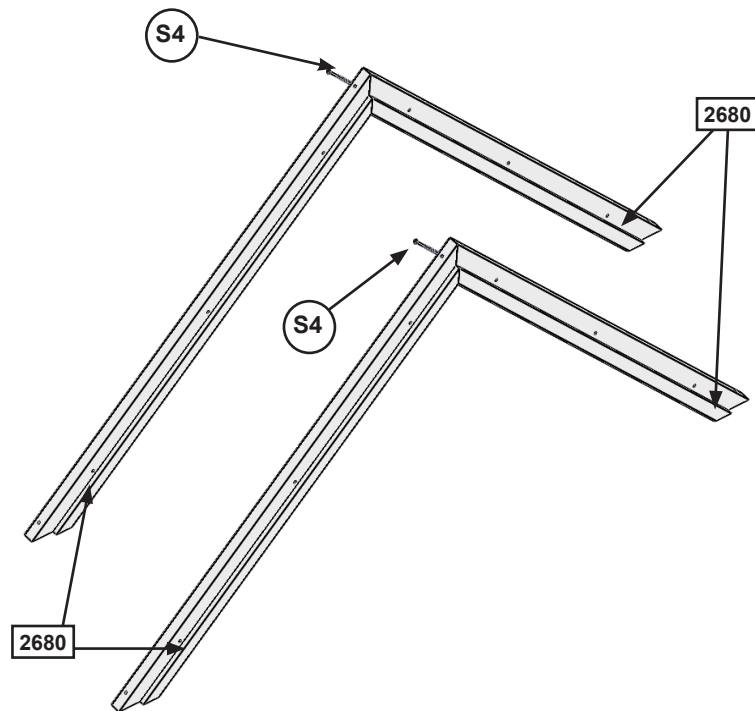


Fig. 39.2

## Wood Parts

- 4 x Roof Support 1-1/4 x 2-1/4 x 37-1/2"
- 4 x Roof Support 1-1/4 x 2-1/4 x 34-1/16"

## Hardware

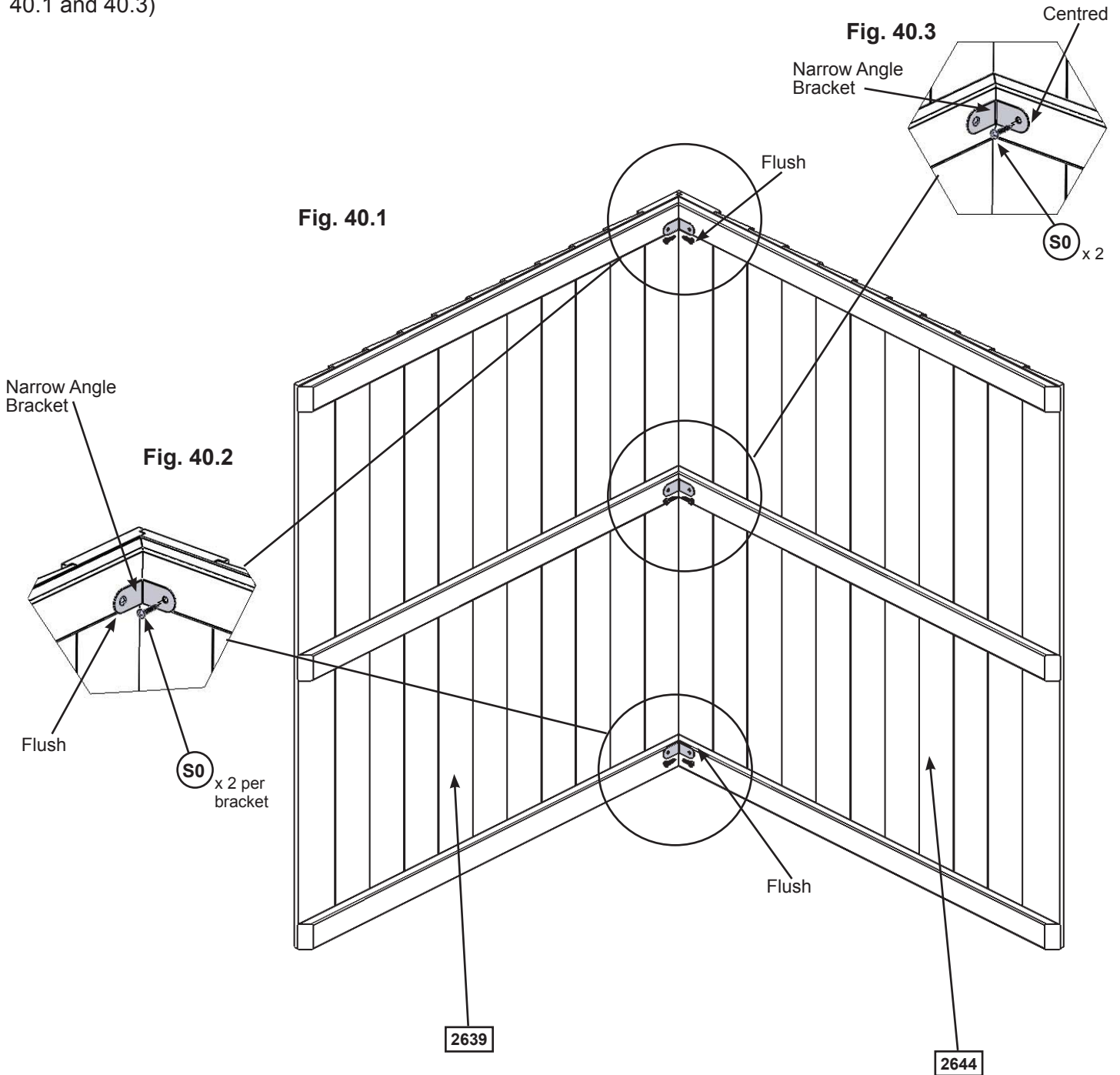
- 4 x #8 x 3" Wood Screw

# Step 40: Large Roof Assembly Part 1



**A:** Place (2644) Front Roof Panel against (2639) Back Roof Panel so the tops form a peak then tight to the inside edge of the outside slats attach 1 Narrow Angle Bracket per slat with 2 (S0) #8 x 7/8" Truss Screws per bracket. (fig. 40.1 and 40.2)

**B:** Attach the third Narrow Angle Bracket centred on the middle slat with 2 (S0) #8 x 7/8" Truss Screws. (fig. 40.1 and 40.3)



### Wood Parts

- 1 x 2644 Front Roof Panel 1-1/4 x 37 x 44"
- 1 x 2639 Back Roof Panel 1-1/4 x 36-3/4 x 44"

### Hardware

- 6 x S0 #8 x 7/8" Truss Screw

### Other Parts

- 3 x Narrow Angle Bracket

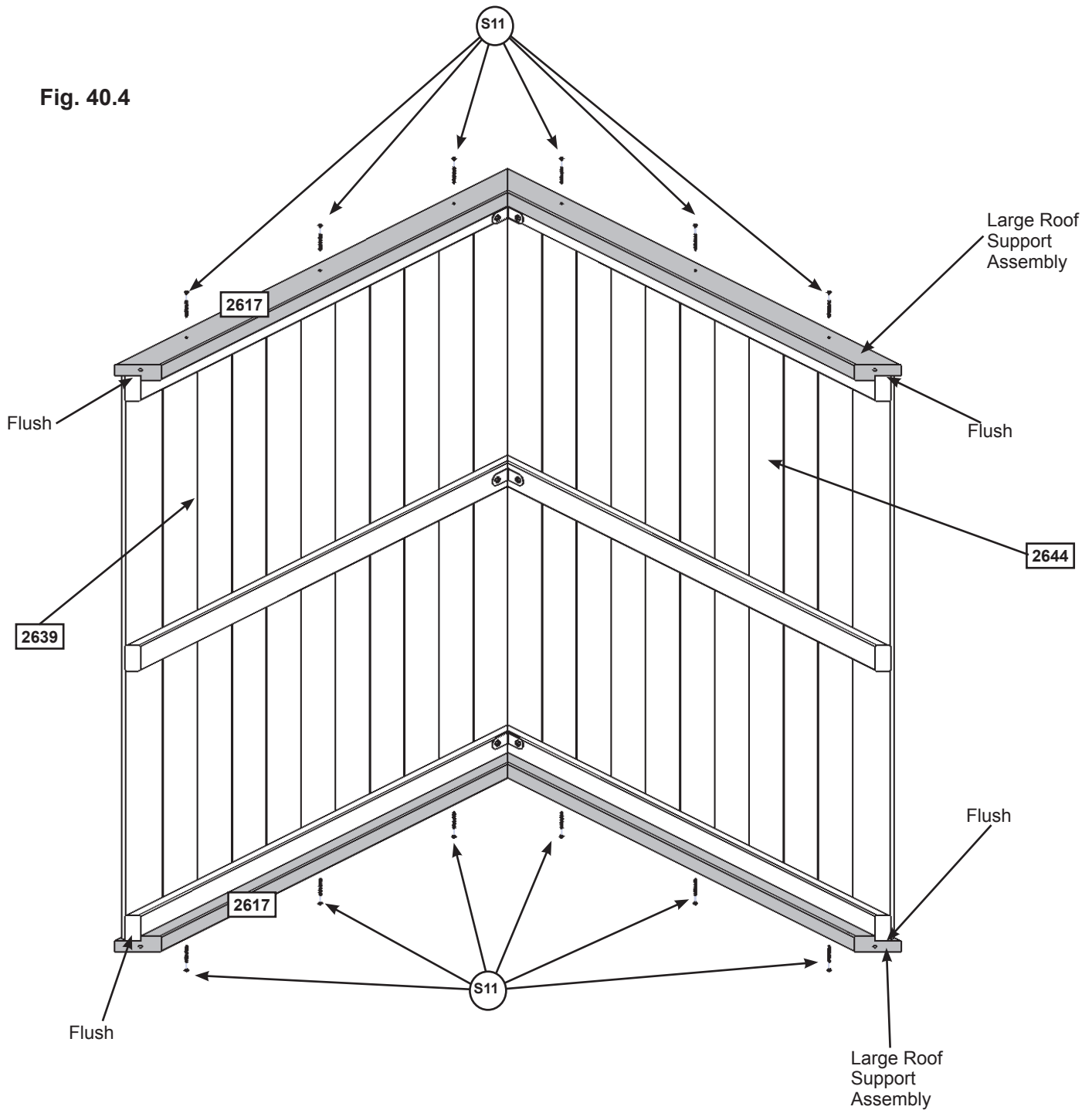
# Step 40: Large Roof Assembly Part 2




**C:** Place 1 Roof Support Assembly against one side so the peaks meet and the ends of the roof supports are flush with the ends of the roof panels. Attach with 6 (S11) #8 x 2" Wood Screws. (fig. 40.4)

**D:** Attach the second Roof Support Assembly on the opposite side, peaks to meet and ends are flush with 6 (S11) #8 x 2" Wood Screws. (fig. 40.4)

Fig. 40.4



### Hardware

12 x  #8 x 2" Wood Screw

# Step 41: Attach Sky Gable



**A:** On each side of the Large Roof Assembly attach 2 Sky Gables to the inside of the (2617) Roof Supports with 4 (S5) #8 x 1/2" Pan Screws per gable. (fig. 41.1 and 41.2)

Fig. 41.1

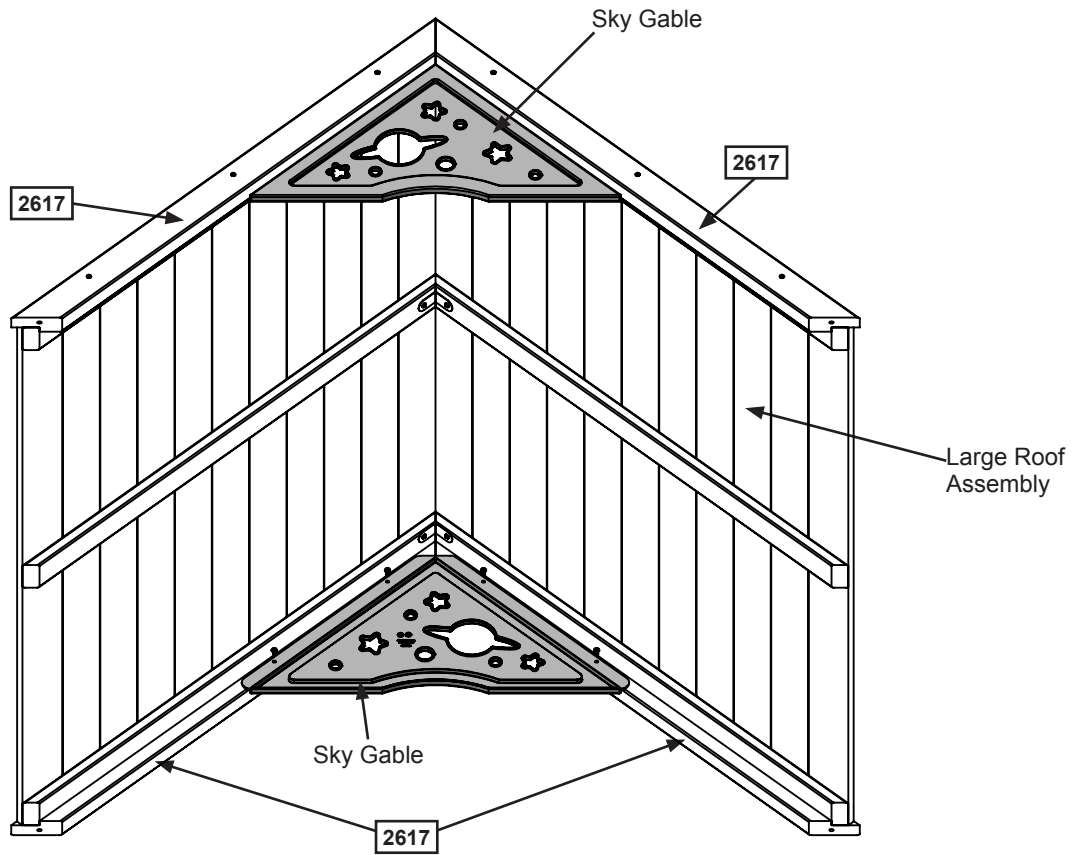
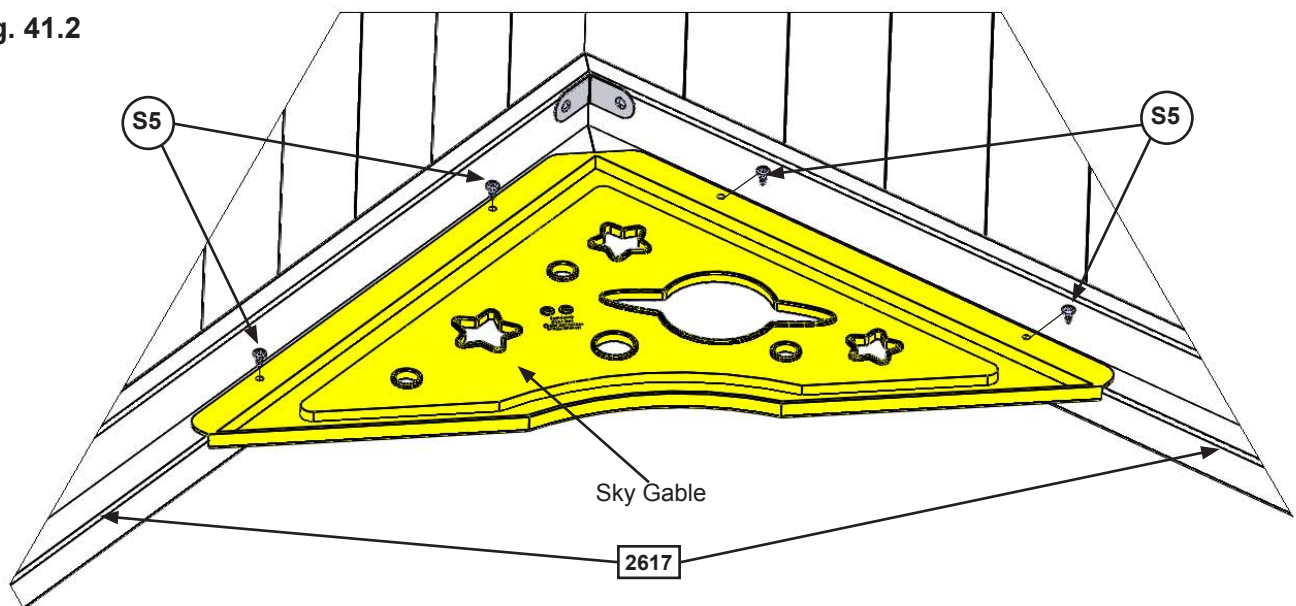



Fig. 41.2



### Hardware

8 x  #8 x 1/2" Pan Screw

### Other Parts

2 x Sky Gable

# Step 42: Small Roof Assemblies



**A:** Place (2672) Front Small Roof against (2671) Back Small Roof so the tops form a peak then tight to the inside edge of the outside slats attach 1 Narrow Angle Bracket per slat with 2 (S0) #8 x 7/8" Truss Screws per bracket. (fig. 42.1)

**B:** Place Small Roof Support Assembly against one side so the peaks meet and the ends of the roof supports are flush with the ends of the roof panels. Attach with 6 (S11) #8 x 2" Wood Screws. (fig. 42.1)

**C:** Attach 1 Sky Gable to the inside of the (2680) Roof Supports with 4 (S5) #8 x 1/2" Pan Screws. (fig. 42.2)

**D:** Repeat Steps A-C to create a second Small Roof Assembly.

Fig. 42.1

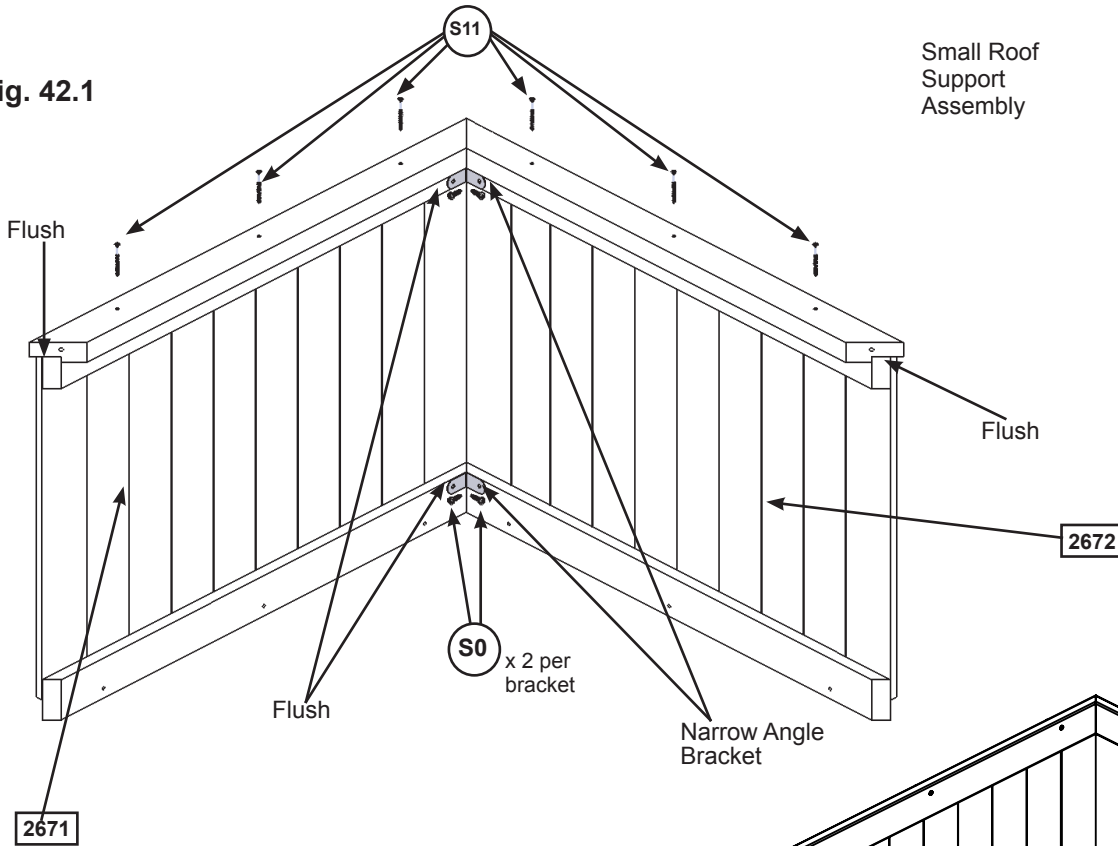
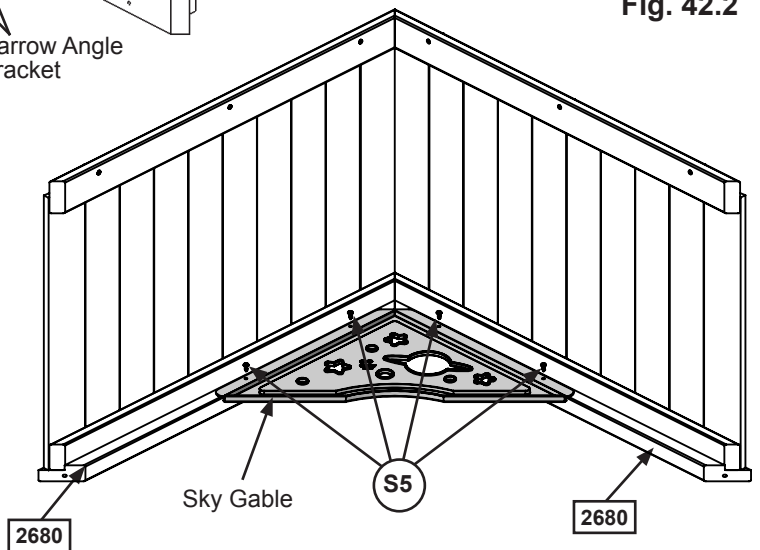


Fig. 42.2



**Wood Parts**

- 2 x [2672] Front Small Roof 1-1/4 x 22-9/16 x 33-5/8"
- 2 x [2671] Back Small Roof 1-1/4 x 22-9/16 x 33-3/8"

**Hardware**

- 12 x (S11) #8 x 2" Wood Screw
- 8 x (S0) #8 x 7/8" Truss Screw
- 8 x (S5) #8 x 1/2" Pan Screw

**Other Parts**

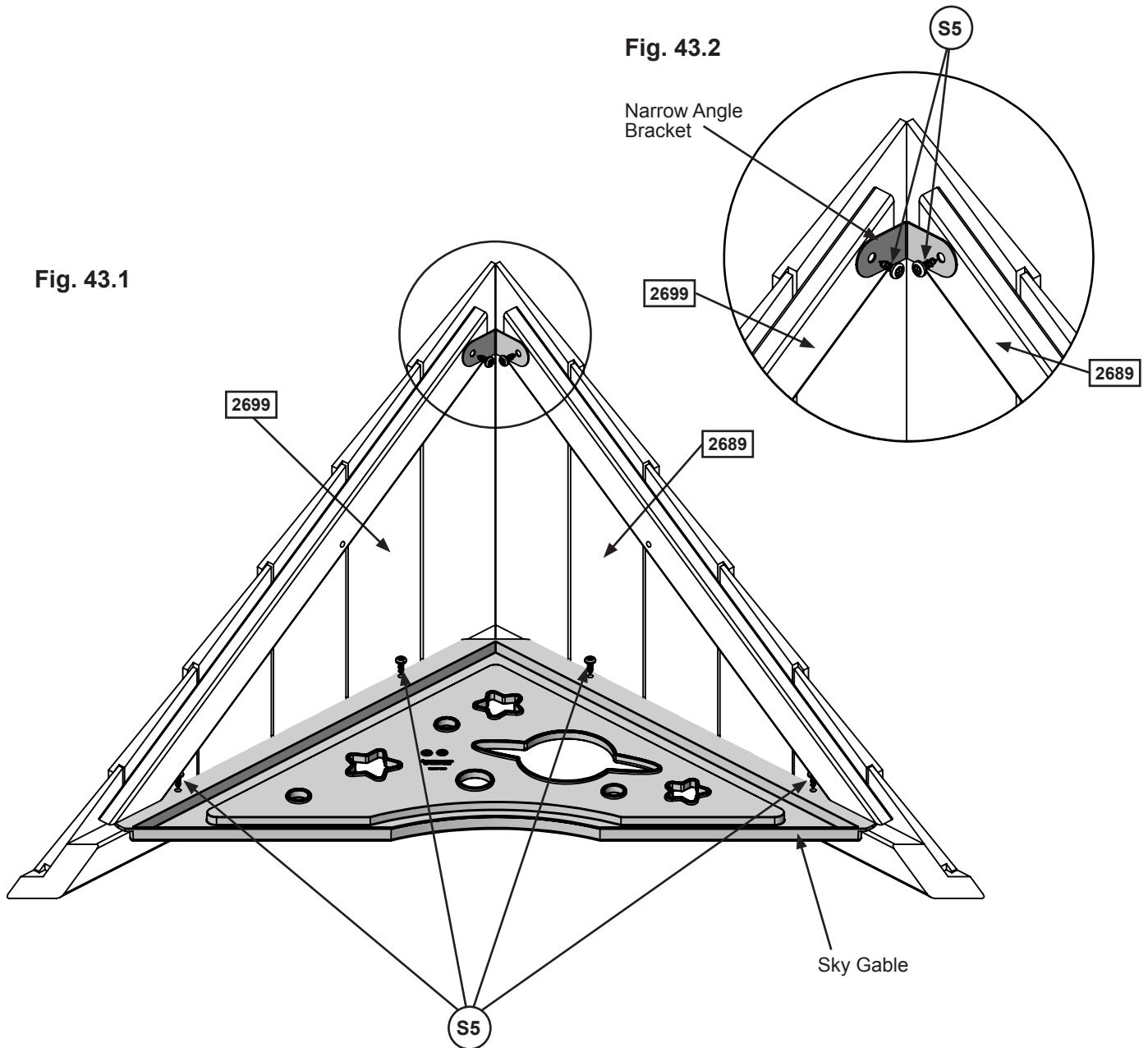
- 4 x Narrow Angle Bracket
- 2 x Sky Gable

# Step 43: Gable Dormer Assembly



**A:** Place (2699) Gable Dormer RT tight to (2689) Gable Dormer LT then place Sky Gable tight against the dormers and attach with 4 (S5) #8 x 1/2" Pan Screws. (fig. 43.1)

**B:** Attach (2699) Gable Dormer RT and (2689) Gable Dormer LT with 1 Narrow Angle Bracket using 2 (S5) #8 x 1/2" Pan Screws. (fig. 43.1 and 43.2)



### Wood Parts

- 1 x 2689 Gable Dormer LT 1-1/4 x 14.6 x 22"
- 1 x 2699 Gable Dormer RT 1-1/4 x 14.6 x 22"

### Hardware

- 6 x S5 #8 x 1/2" Pan Screw

### Other Parts

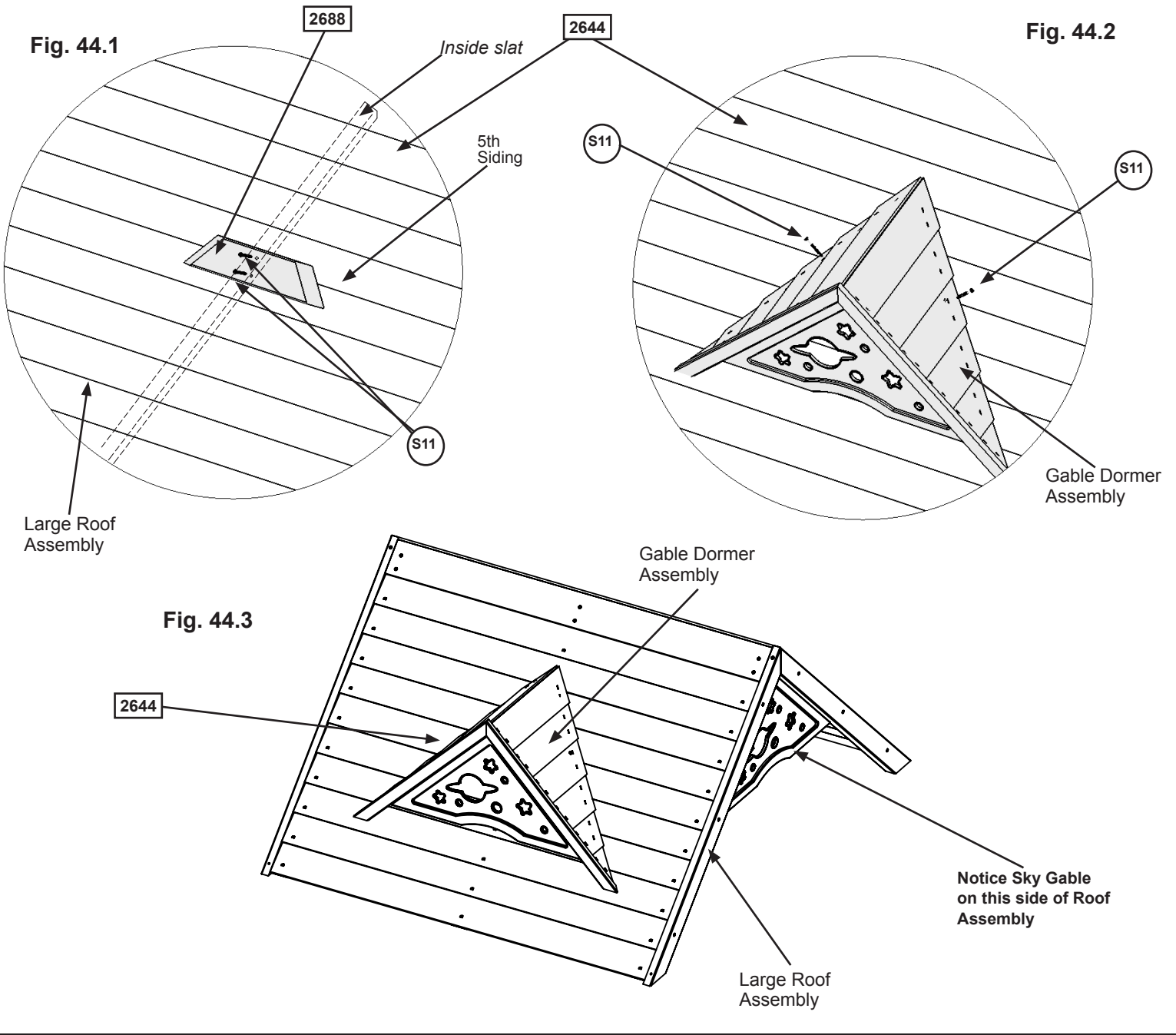
- 1 x Narrow Angle Bracket
- 1 x Sky Gable



# Step 44: Attach Gable Dormer to Roof

**A:** On the outside of the Large Roof Assembly on (2644) Front Roof Panel, on the 5th siding down, place (2688) Dormer Cleat centred on the panel (over the middle inside slat) then attach with 2 (S11) #8 x 2" Wood Screws. Make sure the screws go into the siding and the slats. (fig. 44.1)

**B:** Place completed Gable Dormer Assembly over (2688) Dormer Cleat and attach with 2 (S11) #8 x 2" Wood Screws (fig. 44.2 and 44.3)



### Wood Parts

1 x 2688 Dormer Cleat 1-1/4 x 3 x 12-3/4"

### Hardware

4 x S11 #8 x 2" Wood Screw

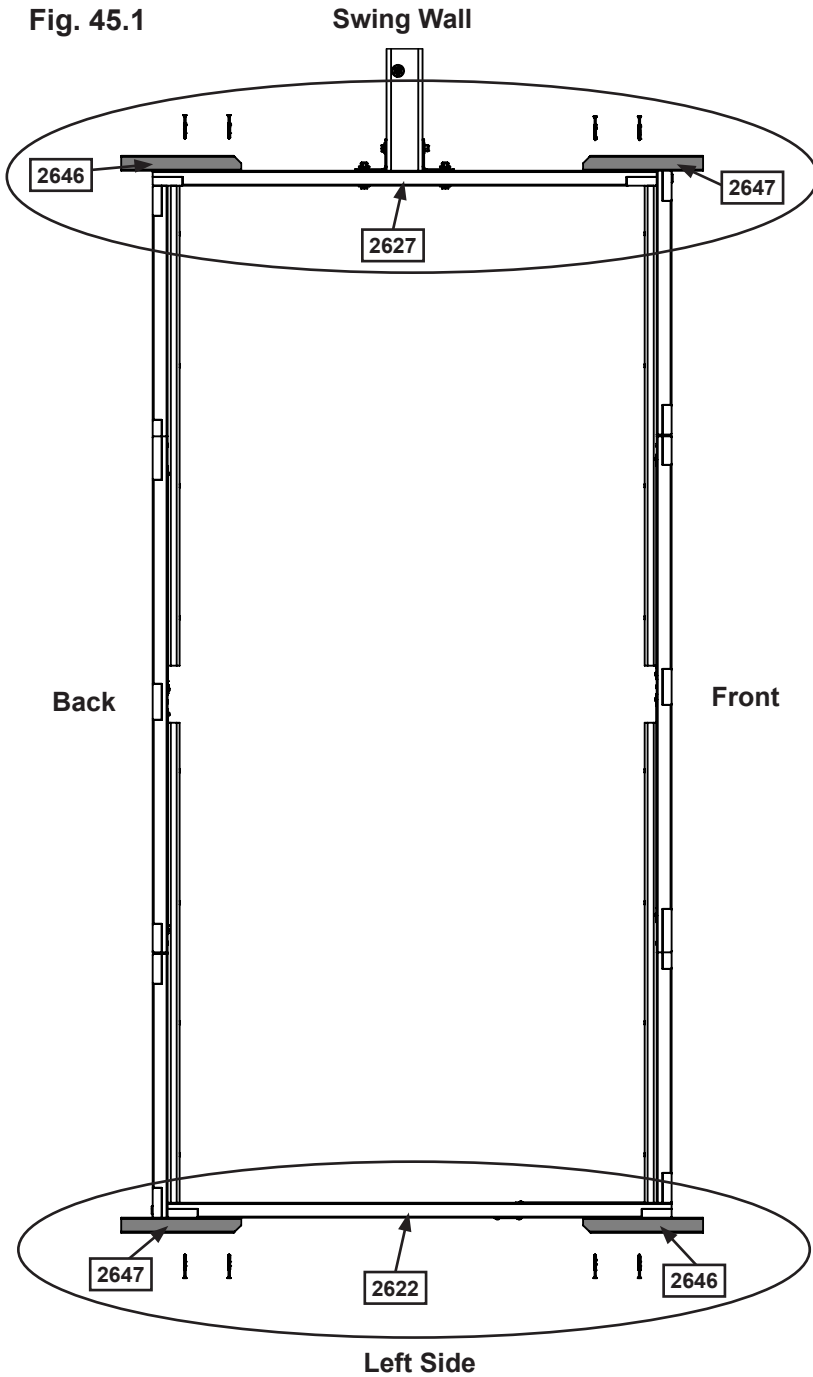
# Step 45: Attach Roof Ends Part 1



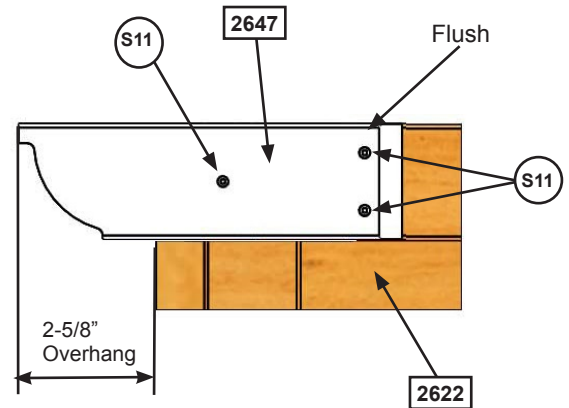
**A:** On (2627) SW Wall Panel and (2622) End Panel Assembly place 1 (2646) Roof End flush to the top of the panel on the right hand side, measure overhang so it is 2-5/8" then attach with 3 (S11) #8 x 2" Wood Screws per board. (fig. 45.1, 45.2 and 45.3)

**B:** Repeat Step A for 2 (2647) Roof End Lefts. (fig. 45.1, 45.2 and 45.3)

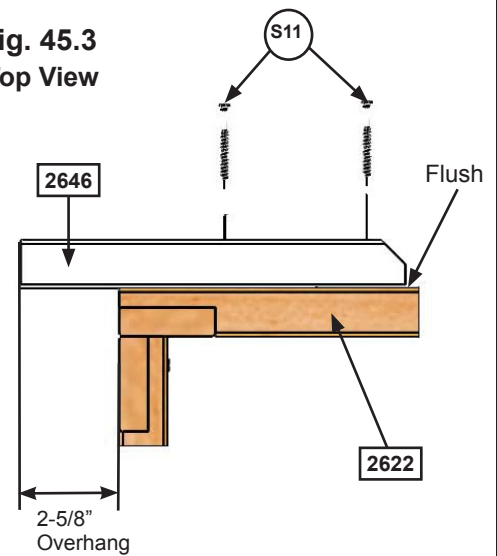
**Fig. 45.1**



**Fig. 45.2**  
**Side View**



**Fig. 45.3**  
**Top View**



**Wood Parts**

- 2 x 2646 Roof End 1-1/4 x 3 x 10"
- 2 x 2647 Roof End Left 1-1/4 x 3 x 10"

**Hardware**

- 12 x (S11) #8 x 2" Wood Screw

# Step 45: Attach Roof Ends Part 2



**C:** On the Back of the fort place 1 (2684) Mid Roof End flush to the top of each (2677) Narrow Panel centred over the pilot holes then measure 1-1/4" down from the top of the panel and attach from the inside with 1 (S4) #8 x 3" Wood Screw and from the outside with 1 (S3) #8 x 2-1/2" Wood Screw per Mid Roof End. (fig. 45.4 and 45.5)

**D:** On the Front of the fort place 1 (2684) Mid Roof End flush to the top of each (2677) Narrow Panel centred over the pilot holes then measure 1-1/4" down from the top of the panel and attach from the inside with 1 (S4) #8 x 3" Wood Screw and from the outside with 1 (S3) #8 x 2-1/2" Wood Screw per Mid Roof End. (fig. 45.4 and 45.6)

Fig. 45.4

Swing Wall

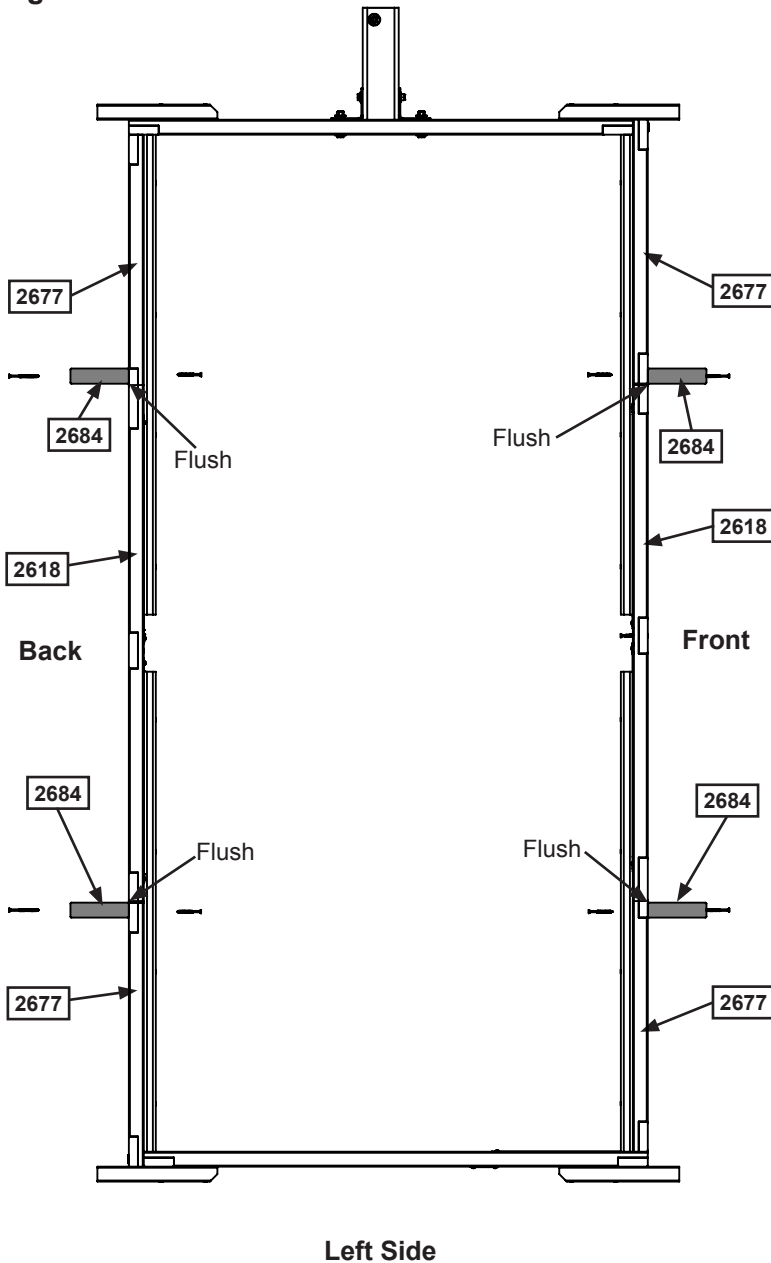


Fig. 45.5  
Back

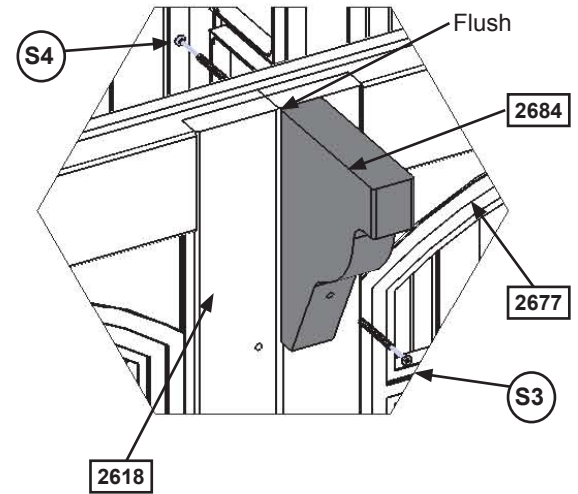
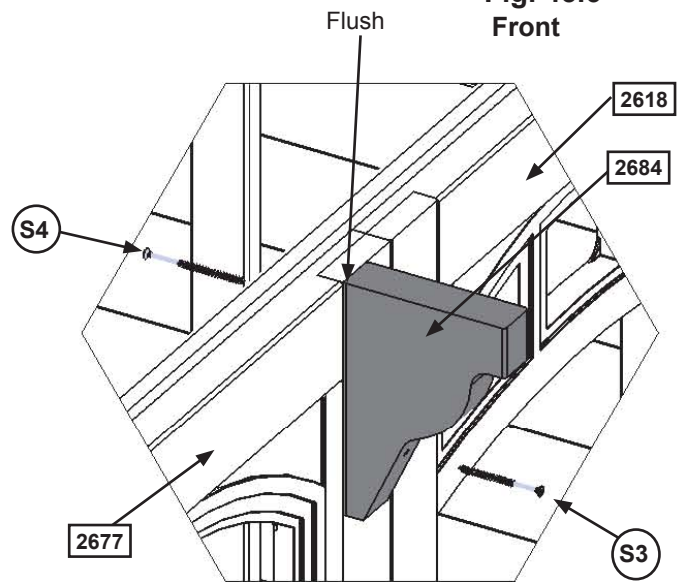


Fig. 45.6  
Front



**Wood Parts**

4 x 2684 Mid Roof End 1-1/4 x 4-7/8 x 7"

**Hardware**

4 x S3 #8 x 2-1/2" Wood Screw

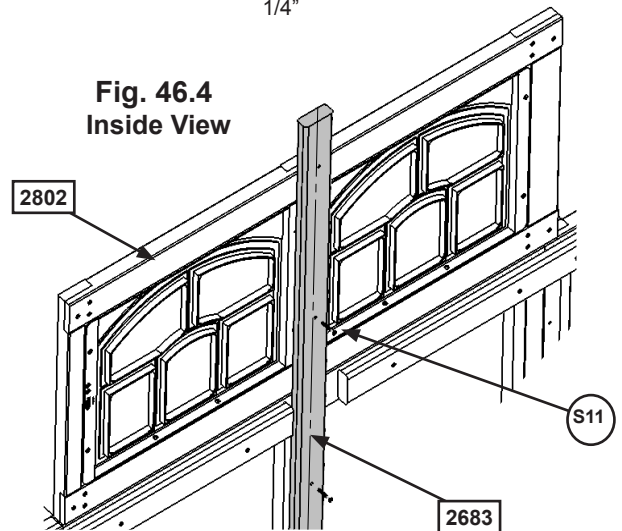
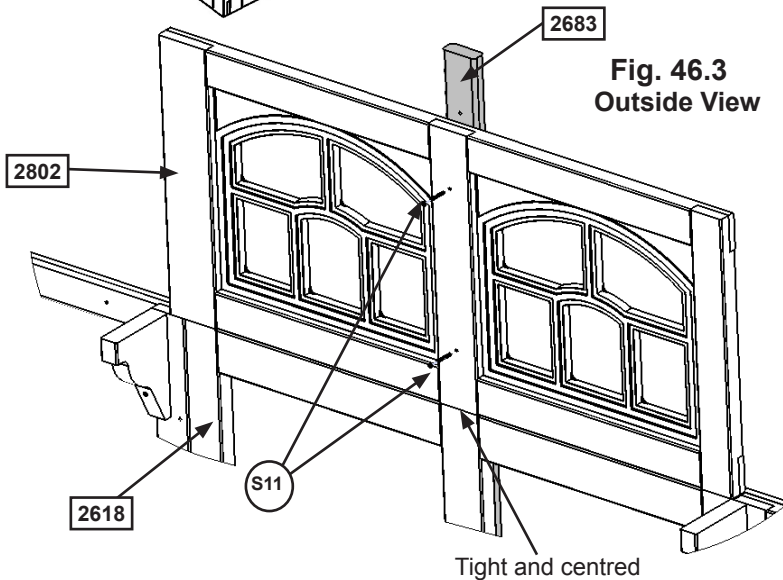
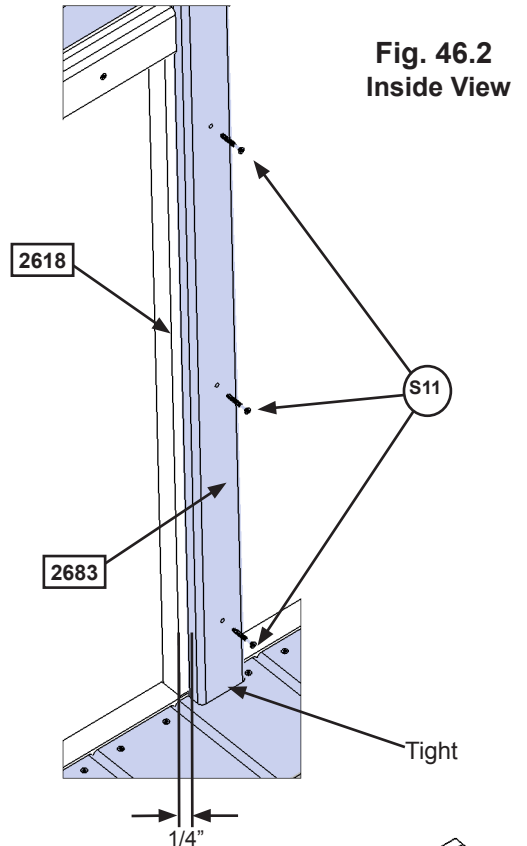
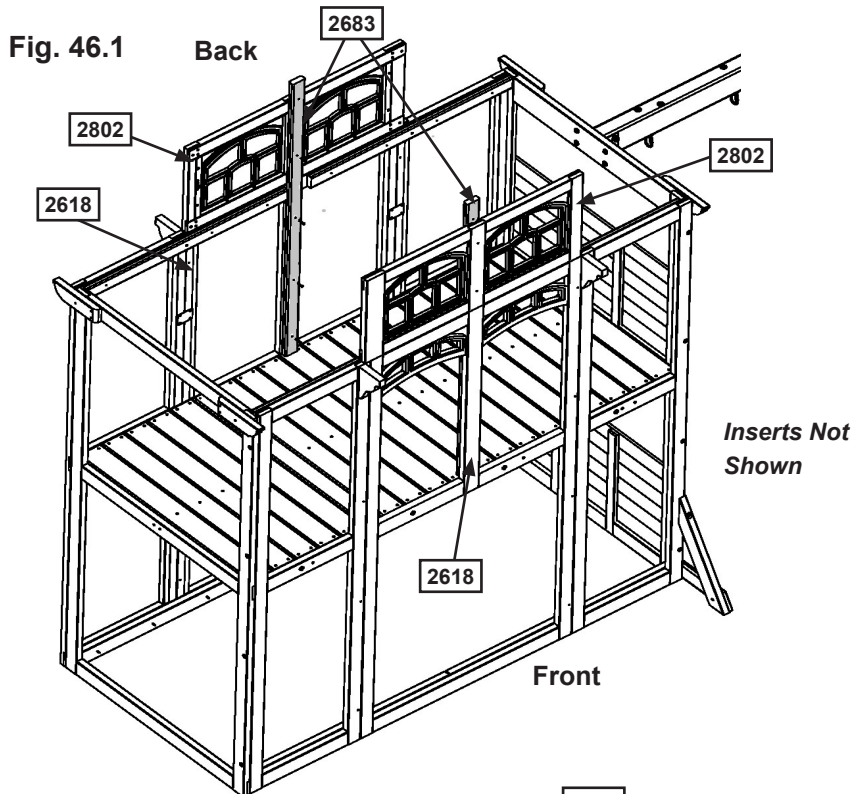
4 x S4 #8 x 3" Wood Screw

# Step 46: Upper Window Installation



**A:** On the Front and Back Walls place 1 (2683) Wall Tie tight to the top of the floor boards and 1/4" in from both sides of the centre board in each (2618) Front Back Panel then attach with 3 (S11) #8 x 2" Wood Screws. (fig. 46.1 and 46.2)

**B:** Tight to the top of each (2618) Front Back Panel over each (2683) Wall Tie place 1 (2802) Transom Window on each panel and attach with 1 (S11) #8 x 2" Wood Screw from the inside and 2 (S11) #8 x 2" Wood Screws from the outside per (2802) Transom Window. (fig. 46.1, 46.3 and 46.4)



### Wood Parts

- 2 x 2683 Wall Tie 5/4 x 3 x 62-5/8"
- 2 x 2802 Transom Window 1-1/4 x 19 x 43"

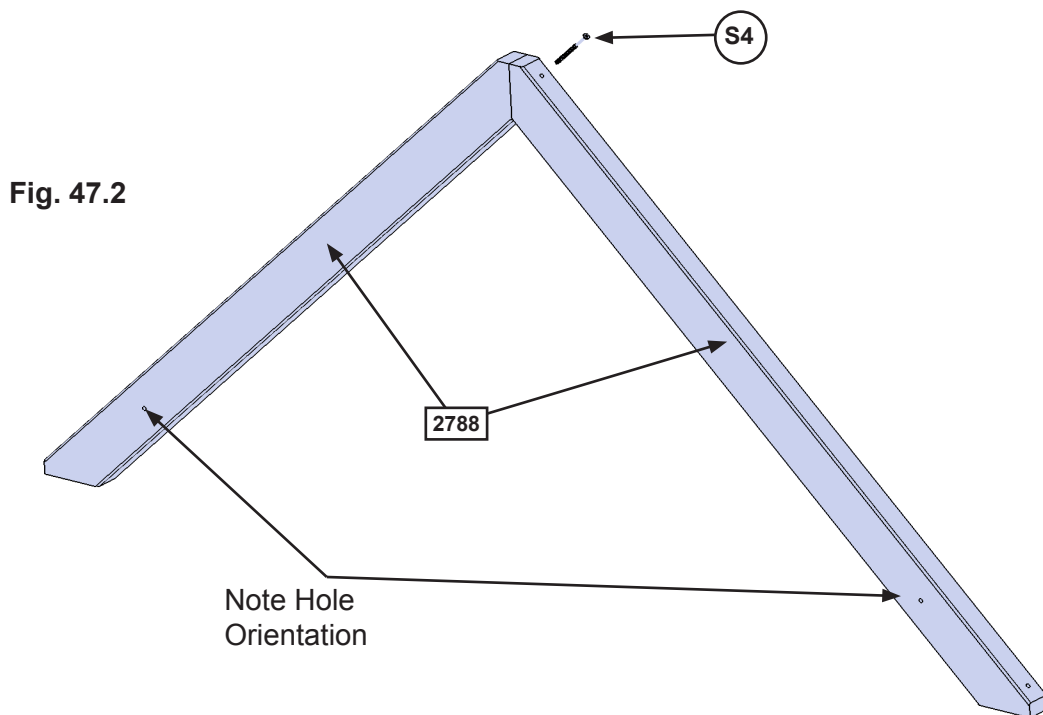
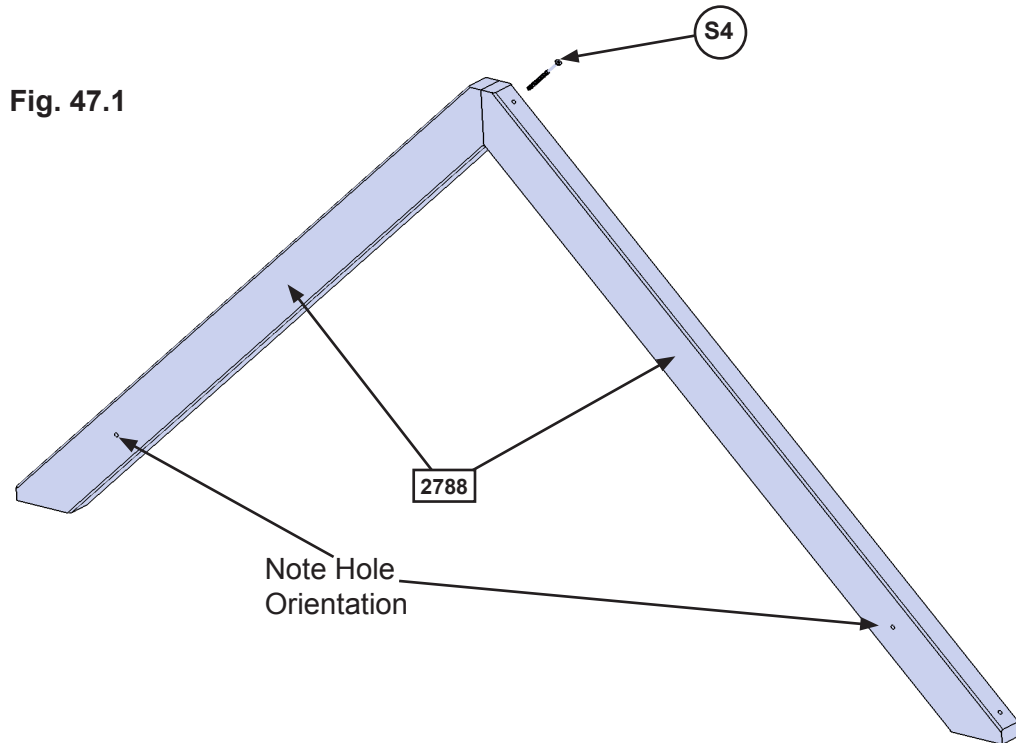
### Hardware

- 12 x S11 #8 x 2" Wood Screw

# Step 47: Mid Roof Support Assemblies



**A:** Attach 1 (2788) Mid Roof Support to a second (2788) Mid Roof Support at peak using 1 (S4) #8 x 3" Wood Screw. Repeat this step so there are 2 Mid Roof Support Assemblies. (fig. 47.1 and 47.2)



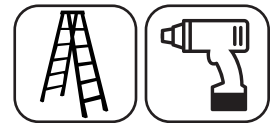
## Wood Parts

4 x **2788** Mid Roof Support 1-1/4 x 2-1/2 x 37-1/8"

## Hardware

2 x **S4** #8 x 3" Wood Screw

# Step 48: Attach Mid Roof Support Assemblies



**A:** Place 1 Mid Roof Support Assembly on each side of the (2802) Transom Windows and flush to the ends of each (2684) Mid Roof End then attach to (2802) Transom Window using 2 (S3) #8 x 2-1/2" Wood Screws per (2788) Mid Roof Support and to each (2684) Mid Roof End with 1 (S4) #8 x 3" Wood Screw per side. (fig. 48.1 and 48.2)

Fig. 48.1

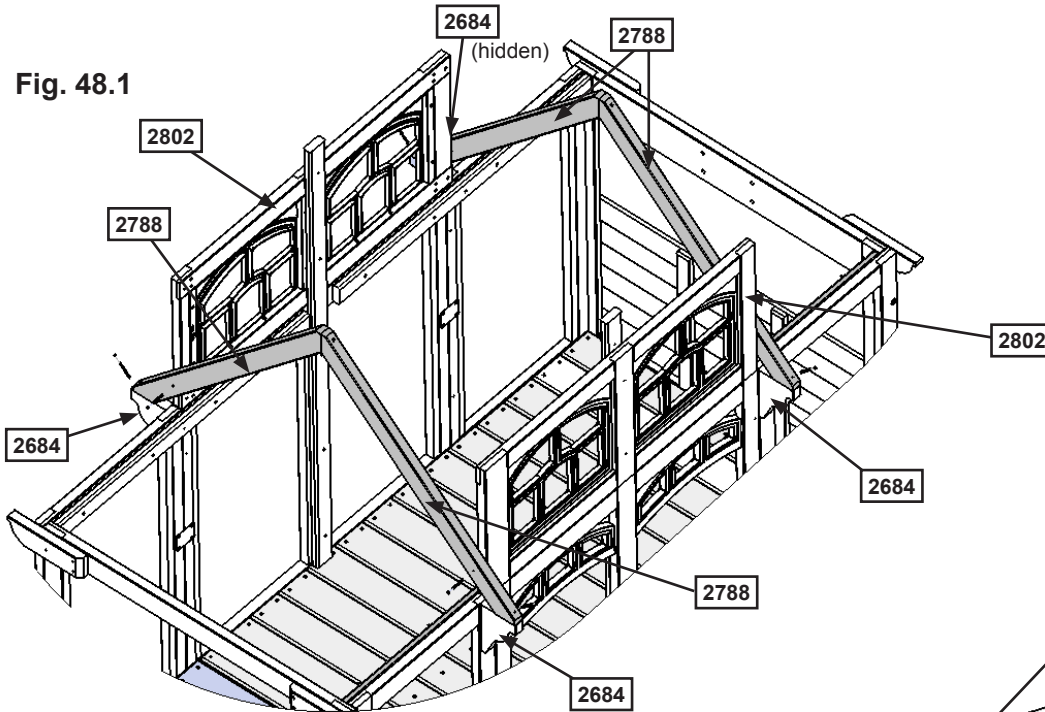
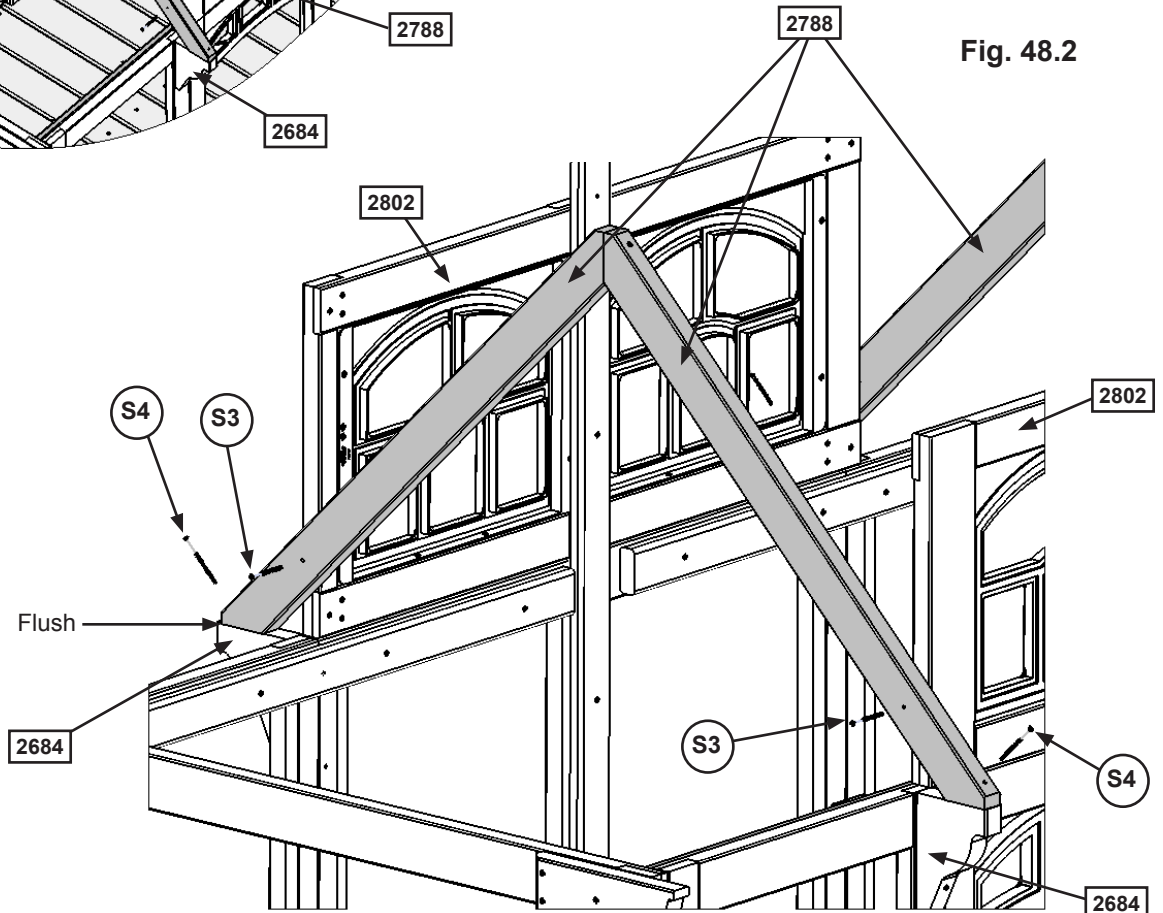


Fig. 48.2

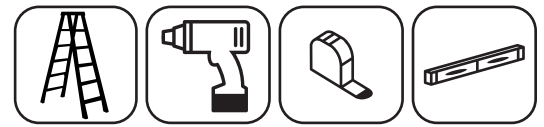


### Hardware

4 x (S3) #8 x 2-1/2" Wood Screw

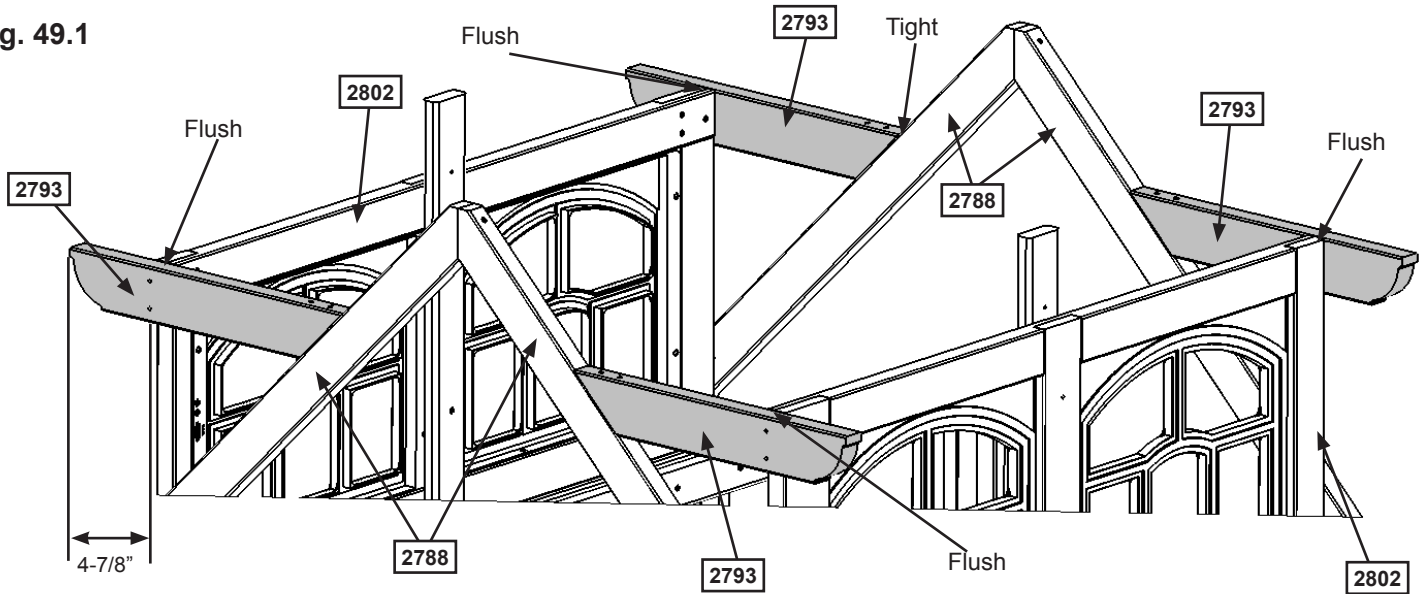
4 x (S4) #8 x 3" Wood Screw

# Step 49: Attach Long Roof Ends

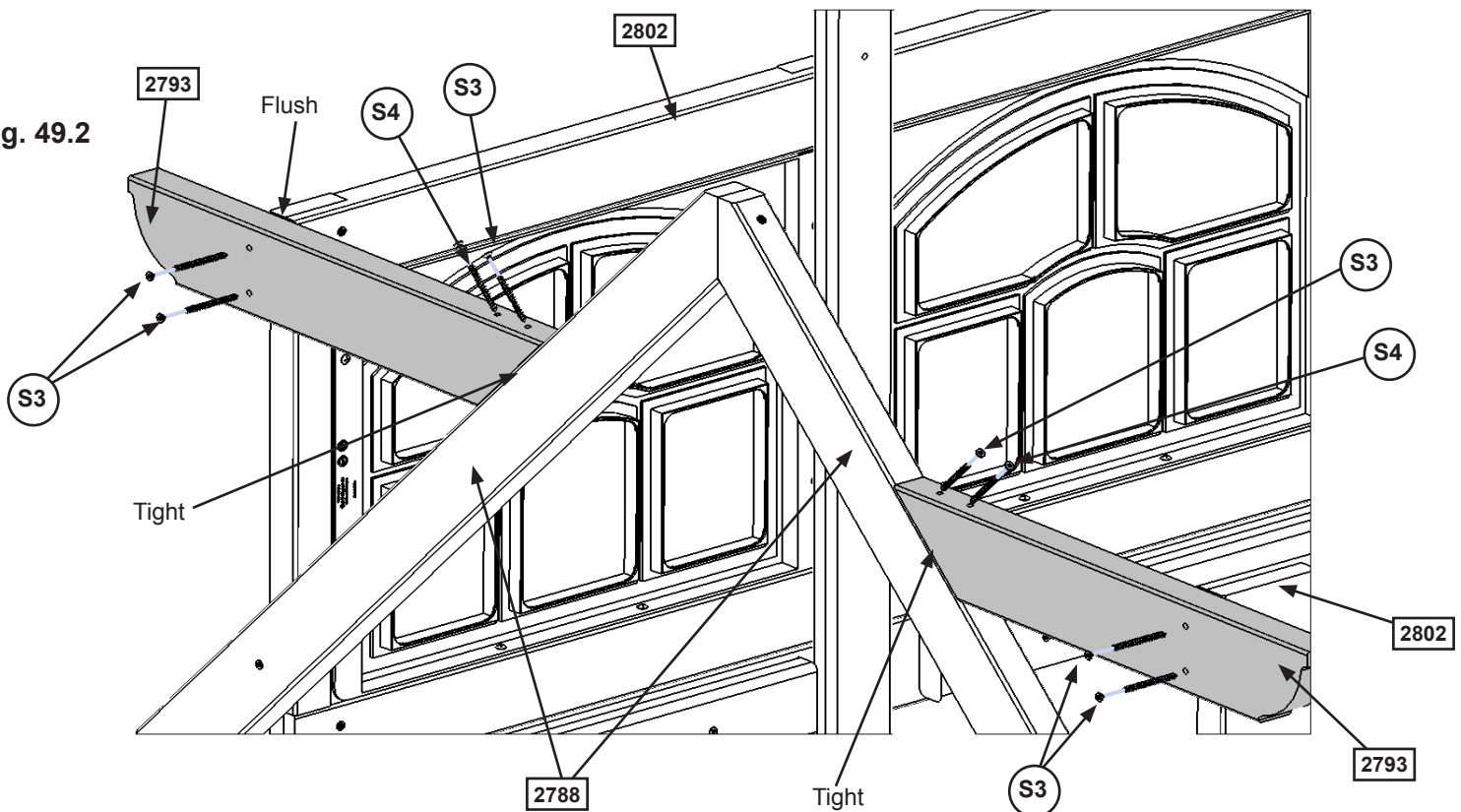


**A:** Place 1 (2793) Long Roof End tight to each (2788) Mid Roof Support and flush to the top of (2802) Transom Window. Make sure (2793) Long Roof End is level and the overhang at each end measures 4-7/8", then attach to (2788) Mid Roof Supports with 1 (S3) #8 x 2-1/2" Wood Screws and 1 (S4) #8 x 3" Wood Screw per support and to each side of the (2802) Transom Windows using 2 (S3) #8 x 2-1/2" Wood Screws per side. (fig. 49.1 and 49.2)

**Fig. 49.1**



**Fig. 49.2**



**Wood Parts**

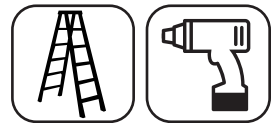
4 x 2793 Long Roof End 1-1/4 x 3 x 18-3/4"

**Hardware**

12 x S3 #8 x 2-1/2" Wood Screw

4 x S4 #8 x 3" Wood Screw

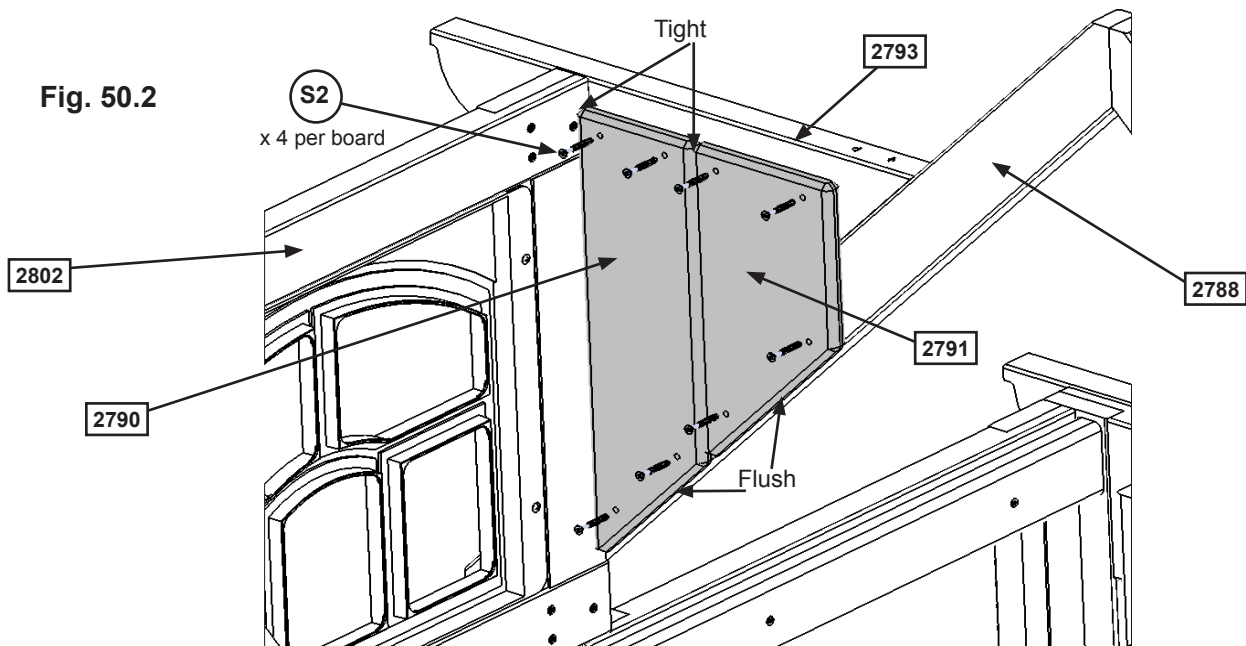
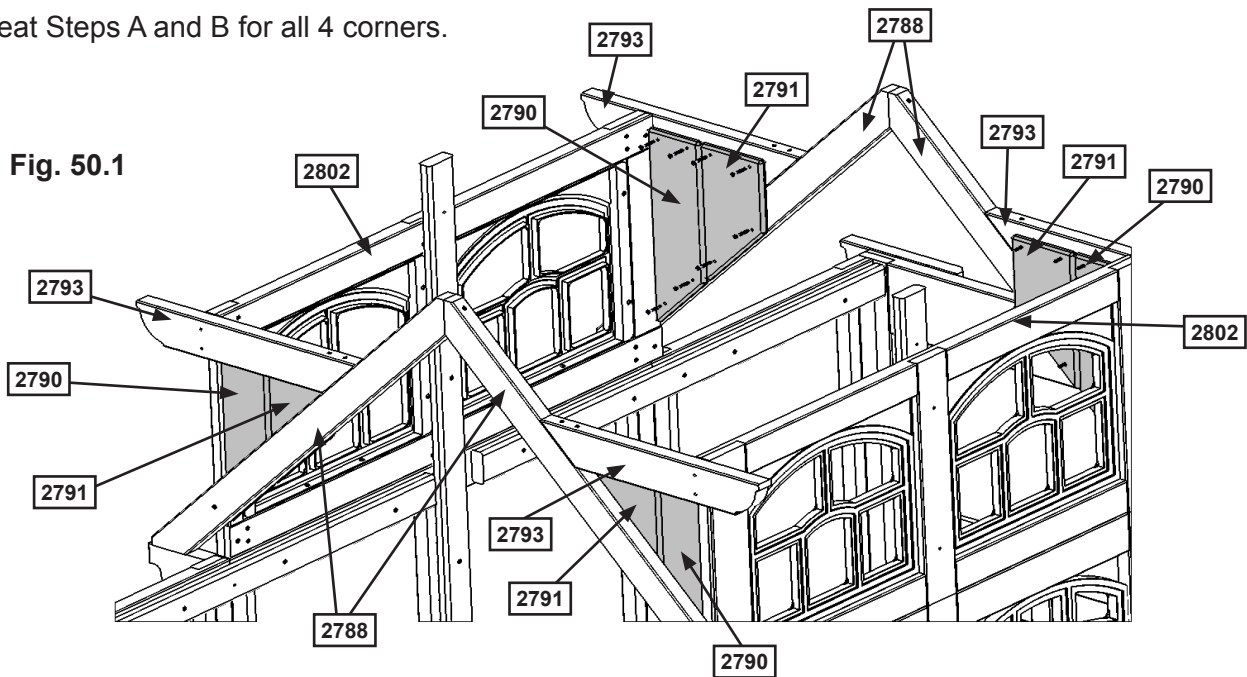
# Step 50: Attach Transom Boards



**A:** Tight to (2802) Transom Window and flush to the bottom of (2788) Mid Roof Support attach 1 (2790) Transom Board A to (2788) Mid Roof Support and (2793) Long Roof End with 4 (S2) #8 x 1-1/2" Wood Screws. (fig. 50.1 and 50.2)

**B:** Tight to (2790) Transom Board A and flush to the bottom of (2788) Mid Roof Support attach 1 (2791) Transom Board B to (2788) Mid Roof Support and (2793) Long Roof End with 4 (S2) #8 x 1-1/2" Wood Screws. (fig. 50.1 and 50.2)

**C:** Repeat Steps A and B for all 4 corners.



### Wood Parts

- 4 x 2790 Transom Board A 1 x 5 x 15-1/2"
- 4 x 2791 Transom Board B 1 x 6 x 11"

### Hardware

- 32 x S2 #8 x 1-1/2" Wood Screw

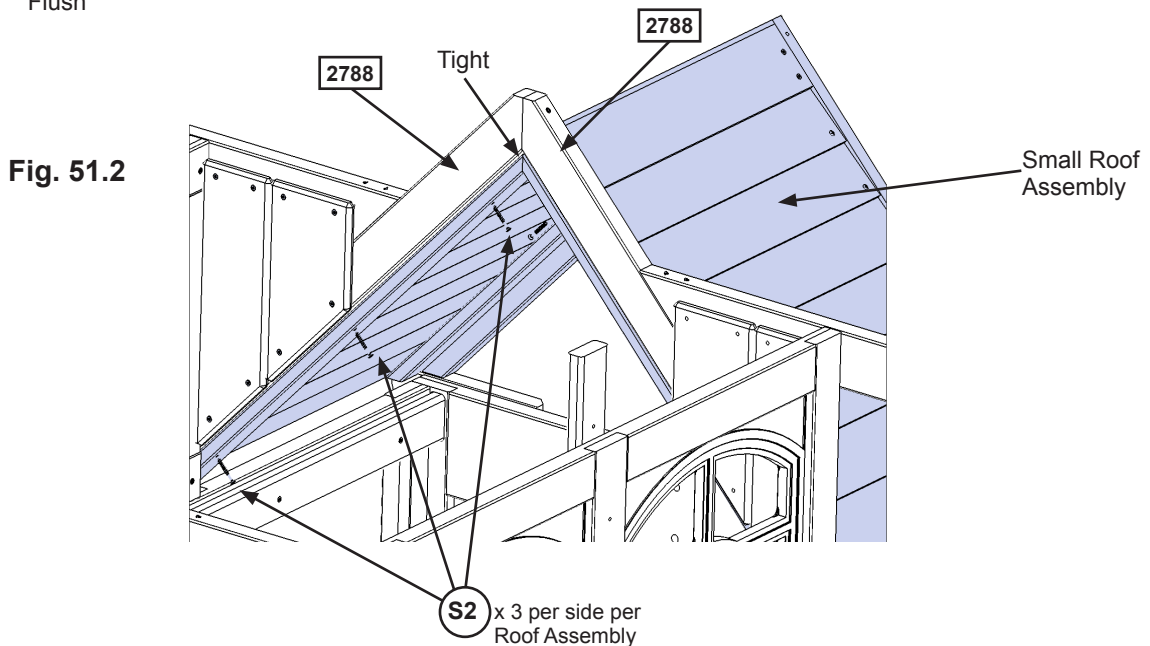
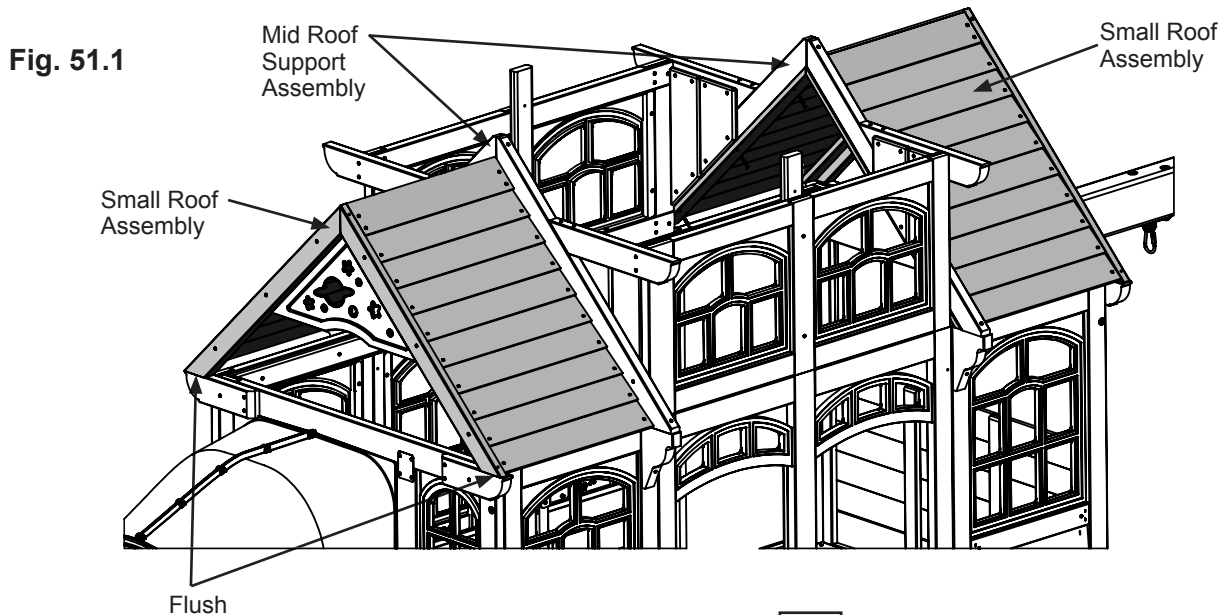
# Step 51: Attach Roof Assemblies to Fort Part 1



**A:** With 2 people on the ground and at least 1 person in the fort, lift one Small Roof Assembly up and over the Back side of the fort. Guide the Small Roof Assembly onto the fort so it slides under one of the Mid Roof Support Assemblies and the (2788) Mid Roof Supports sit tight to the siding on the Small Roof Assembly. The front of the Small Roof Assembly should be flush to the front of each (2646) Roof End and (2647) Roof End Left. (fig. 51.1 and 51.2)

**B:** Attach Small Roof Assembly to Mid Roof Support Assembly from inside with 3 (S2) #8 x 1-1/2" Wood Screws per side. Screws to go into (2788) Mid Roof Supports. (fig. 51.2)

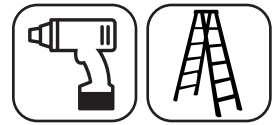
**C:** Repeat Steps A and B for the second Small Roof Assembly.



## Hardware

12 x S2 #8 x 1-1/2" Wood Screw

# Step 51: Attach Roof Assemblies to Fort Part 2

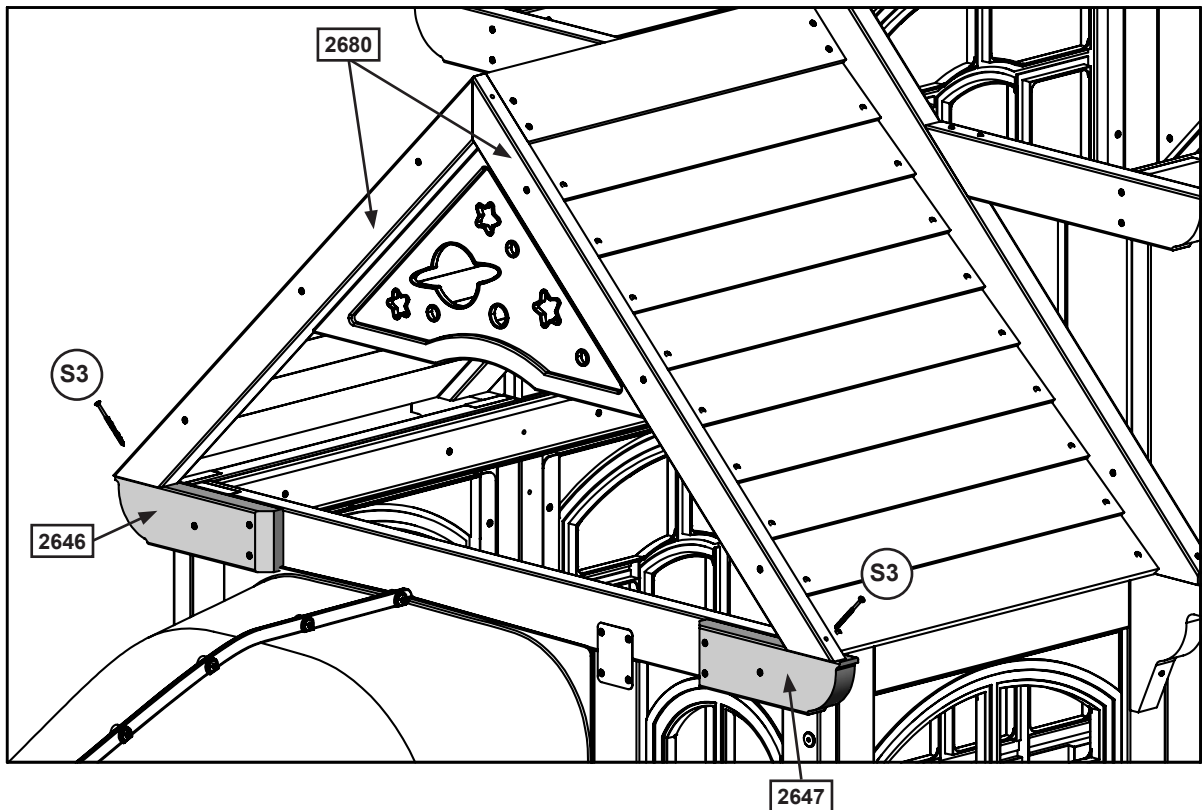


**D:** Attach (2680) Roof Supports to (2646) Roof Ends and (2647) Roof End Lefts with 1 (S3) #8 x 2-1/2" Wood Screw per support. (fig. 51.3 and 51.4)

Fig. 51.3



Fig. 51.4



## Hardware

4 x (S3) #8 x 2-1/2" Wood Screw

# Step 51: Attach Roof Assemblies to Fort Part 3



**E:** With 2 people on the ground and at least 1 person in the fort, lift the Large Roof Assembly up and over the Back side of the fort. Guide the Roof Assembly onto the fort so all four (2617) Roof Supports sit flush to the front and outside edges of each (2793) Long Roof End. (fig. 51.5 and 51.6)

**F:** Attach (2617) Roof Supports to each (2793) Long Roof End with 1 (S3) #8 x 2-1/2" Wood Screw per support. (fig.51.5 and 51.6)

Fig. 51.5

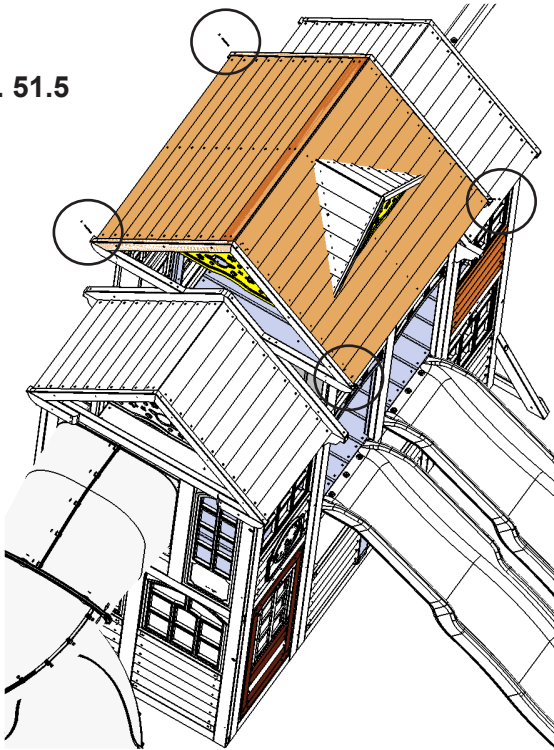
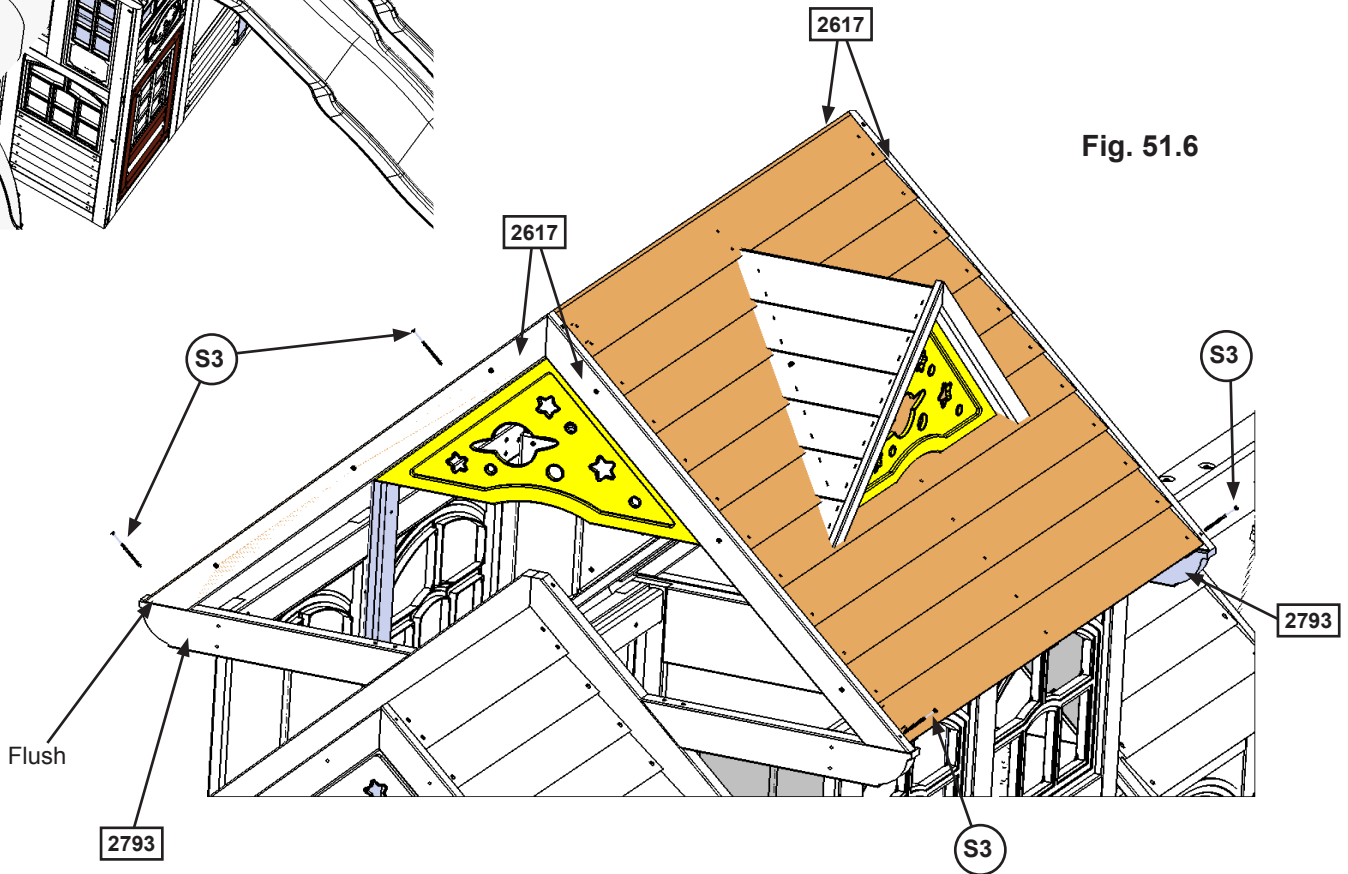



Fig. 51.6



## Hardware

4 x  #8 x 2-1/2" Wood Screw

# Step 51: Attach Roof Assemblies to Fort Part 4



**G:** Attach each (2683) Wall Tie to the middle roof rafters of the Large Roof Assembly with 1 Spiral Wave Bracket and 3 (S8) #12 x 3/4" Pan Screws per side. (fig. 51.7 and 51.8)

Fig. 51.7

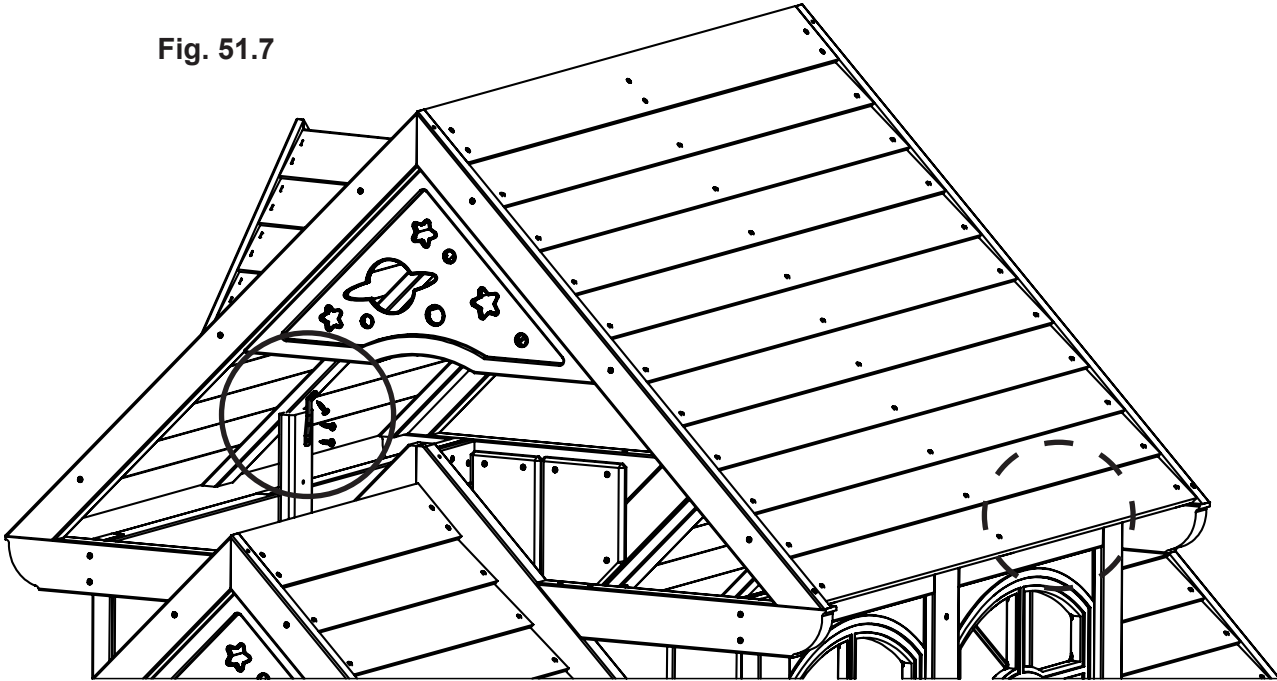
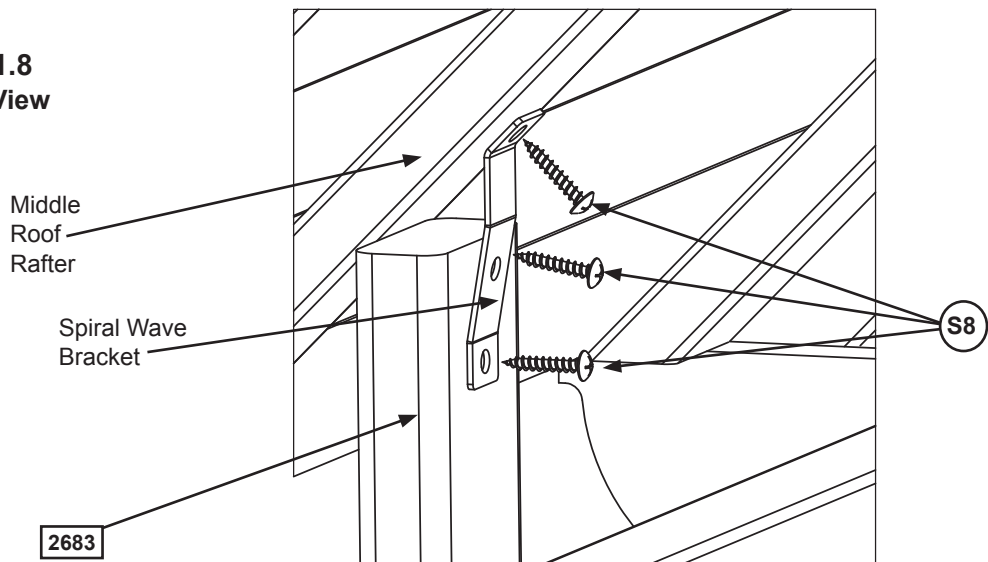



Fig. 51.8  
Inside View



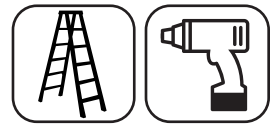
### Hardware

6 x  #12 x 3/4" Pan Screw

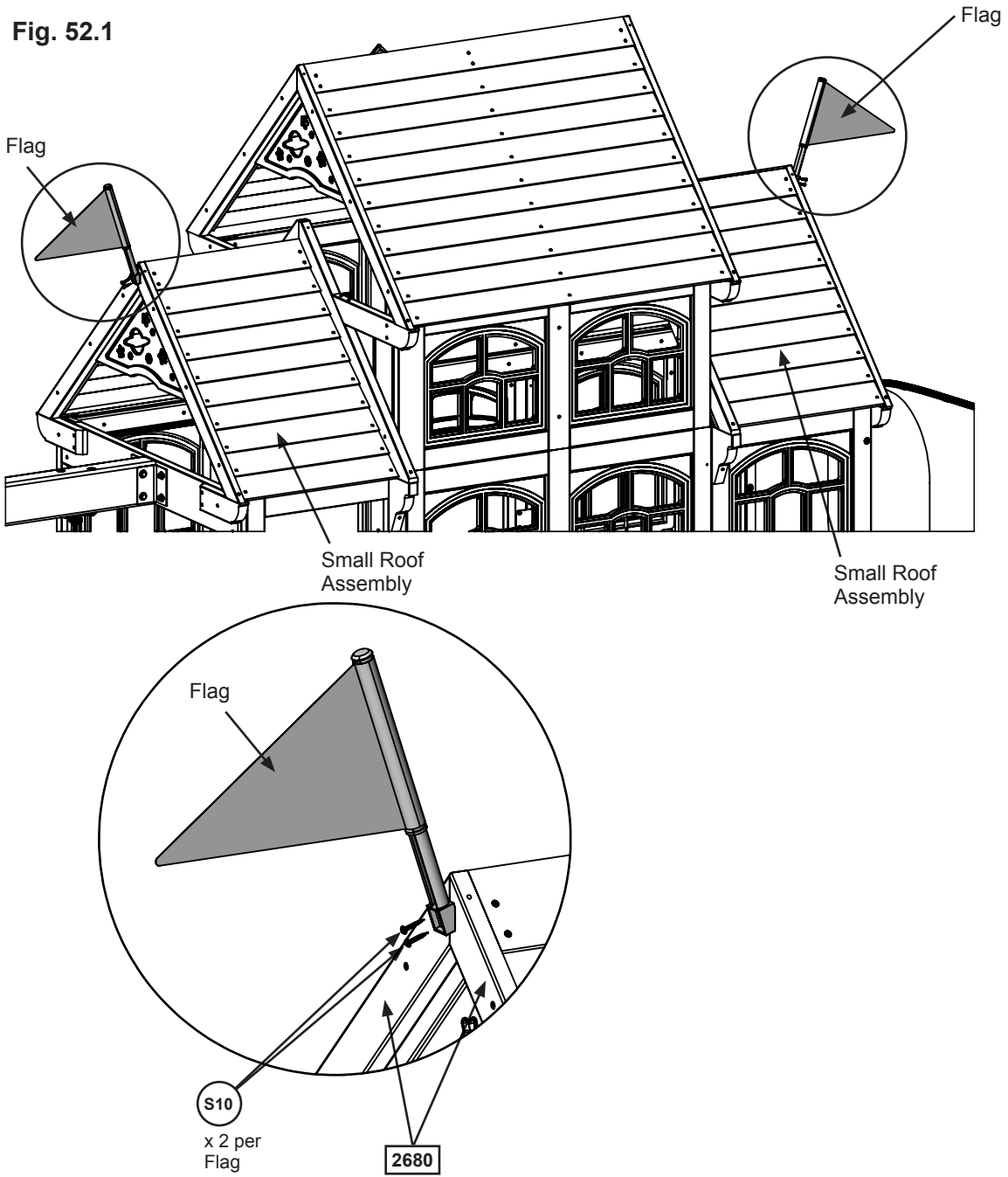
### Other Parts

2 x Spiral Wave Bracket

# Step 52: Attach Flags



**A:** Place 1 Flag at the peak of each Small Roof Assembly and attach to (2680) Roof Supports with 2 (S10) #8 x 1" Pan Screws per flag. (fig. 52.1)



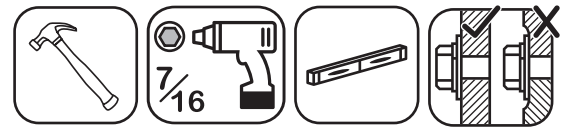
### Hardware

4 x **S10** #8 x 1" Pan Screw

### Other Parts

2 x Flag

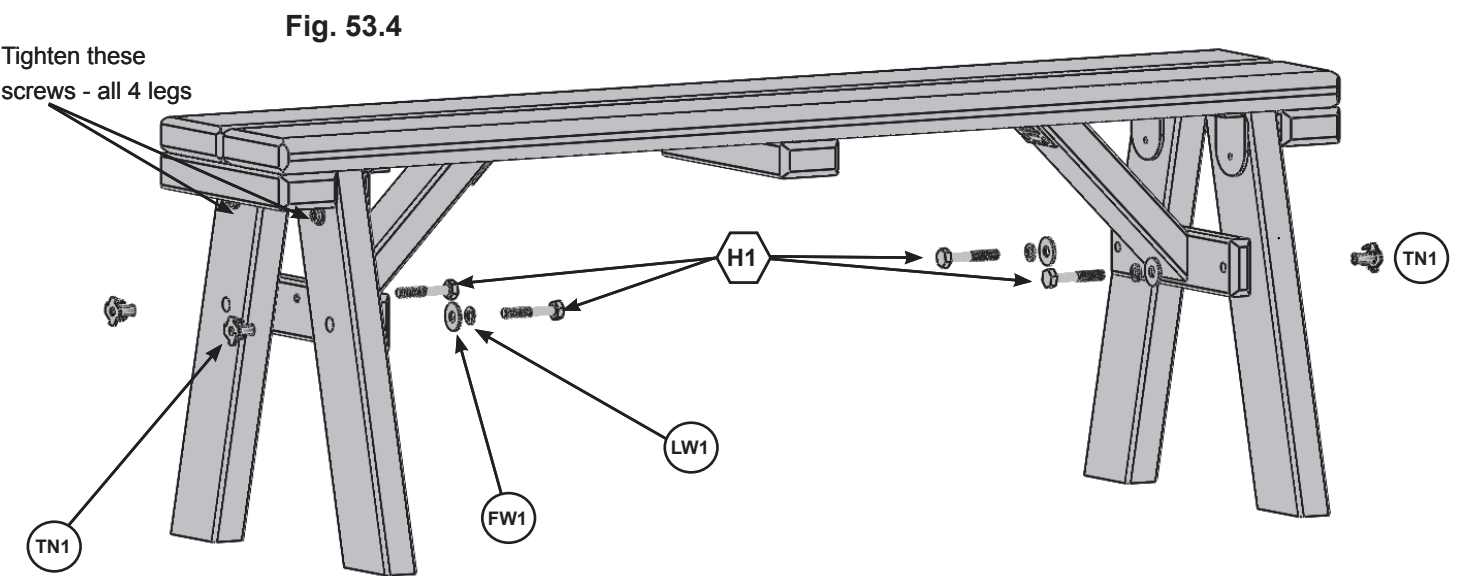
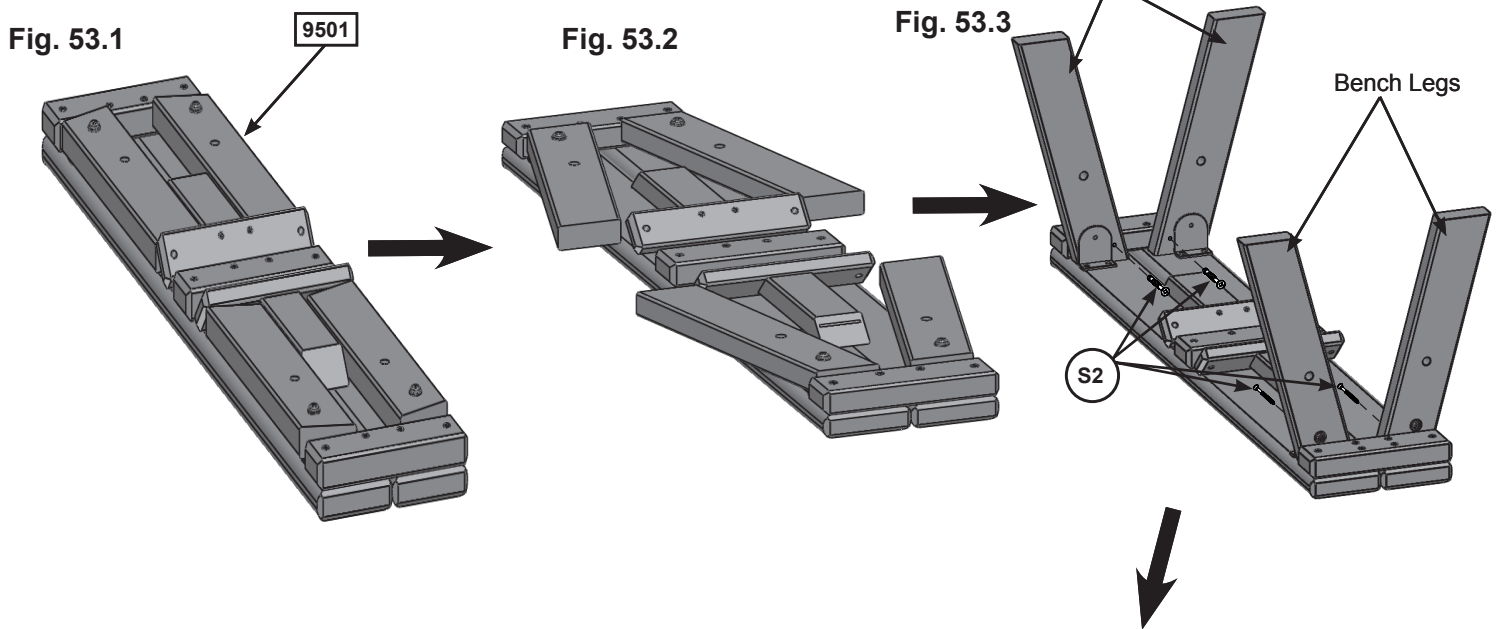
# Step 53: Bench Assembly



**A:** Open the (9501) Folding Bench Assembly. Secure with 2 (S2) #8 x 1-1/2" Wood Screw per side. (fig. 53.1, 53.2 and 53.3)

**B:** Make sure assembly is level then secure with 2 (H1) Hex Bolts (with lock washer, flat washer and t-nut) per side. (fig. 53.4)

**C:** Tighten the top screws in all 4 Bench Legs. (fig. 53.4)



## Wood Parts

1 x 9501 Folding Bench

## Hardware

4 x H1 1/4 x 1-1/2" Hex Bolt  
(1/4" lock washer, 1/4" flat washer, 1/4" t-nut)

4 x S2 #8 x 1-1/2" Wood Screw

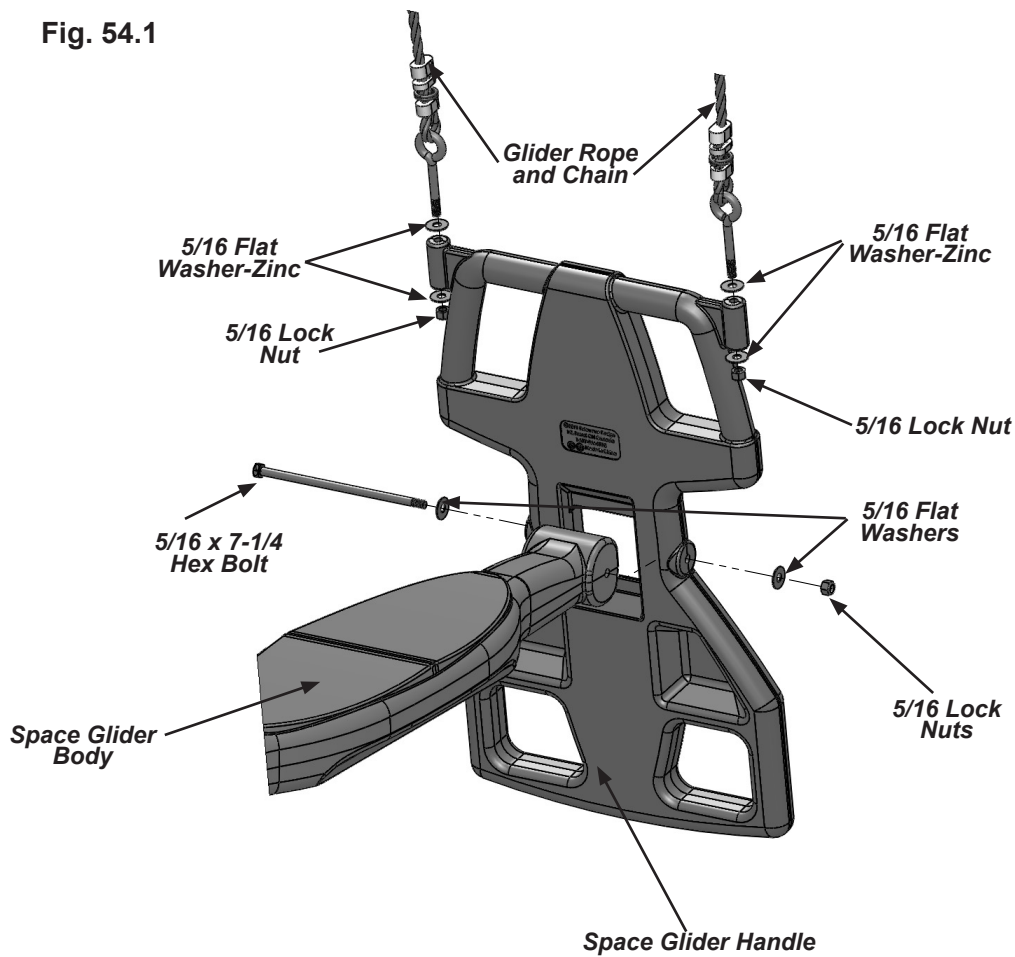
# Step 54: Glider Assembly



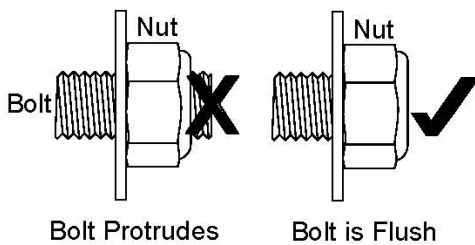
**A:** Attach 1 Space Glider Handle to the Space Glider Body using 1 (G25) 5/16 x 7-1/4" Hex Bolt (with 2 flat washers and 1 lock nut). Repeat for the second Space Glider Handle. (fig. 54.1)

**B:** Install 2 Glider Rope with Chains into each Space Glider Handle using 2 - 5/16" Flat Washers and 1 Lock Nut per rope. (fig. 54.1)


Fig. 54.1



**Warning!** Bolt must not exceed 1/2 thread past the nut



### Hardware

- 2 x  5/16 x 7-1/4" Hex Bolt  
(5/16" flat washer x 2, 5/16" lock nut)
- 8 x 5/16" Flat Washer
- 4 x 5/16" Lock Nut

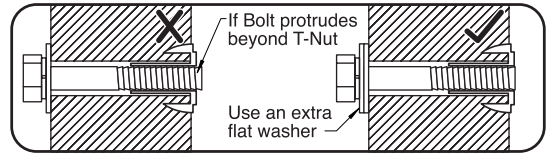
### Other Parts

- 2 x Space Glider Handle
- 1 x Space Glider Body
- 1 x Glider Rope and Chain (pkg of 4)

# Step 55: Attach Belt Swings and Glider

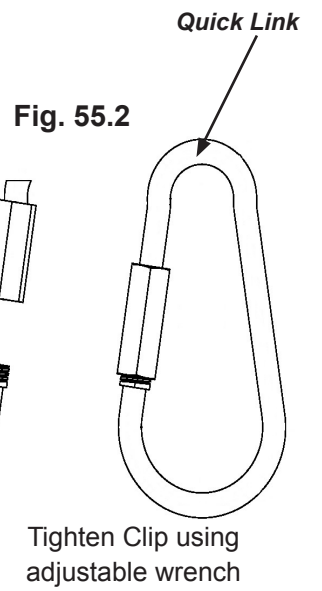
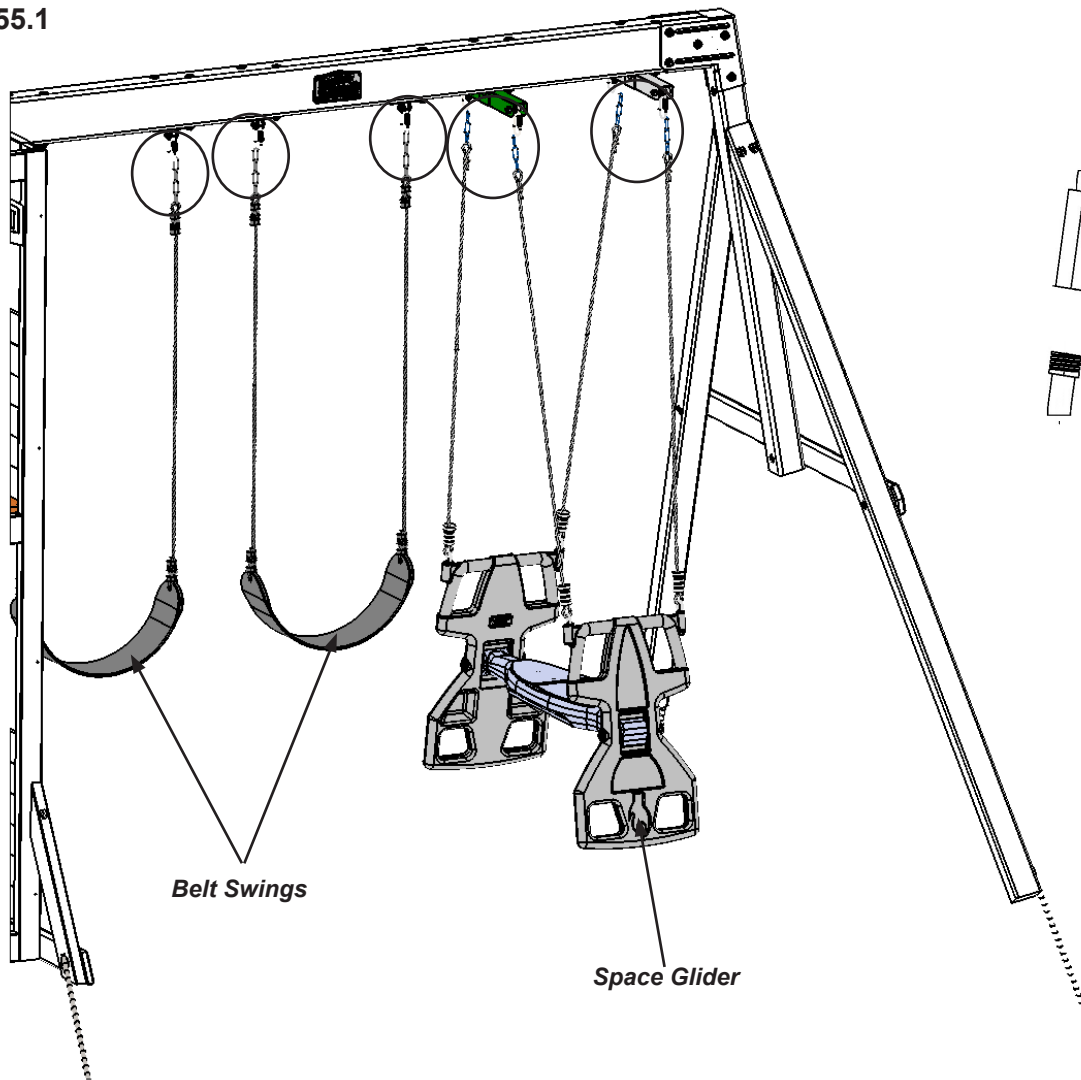


**Warning!** Check entire play centre for bolts protruding beyond t-nuts. Use extra washers to eliminate this condition.



**A:** Attach 2 Belt Swings and assembled Space Glider to the hangers then tighten all Quick Links with an adjustable wrench. (fig. 55.1 and 55.2)

Fig. 55.1



**Other Parts**  
2 x Belt Swings

# Final Step: Attach I.D. Plaque



## ATTACH THIS WARNING & I.D. PLAQUE TO THIS LOCATION ON YOUR PLAY EQUIPMENT!

This provides warnings concerning safety and important contact information. A Tracking Number is provided to allow you to get critical information or order replacement parts for this specific model.

**⚠ WARNING**  
**⚠ AVERTISSEMENT**

**CONTINUOUS ADULT SUPERVISION REQUIRED!**

**STRANGULATION HAZARDS**  
**Never** allow children to play with ropes, clotheslines, pet leashes, cables, chains or cord-like items when using this playset or to attach these items to play-set.  
**Never** allow children to wear loose fitting clothing, ponchos, hoods, scarves, capes, necklaces, or items with draw-strings, cords or ties when using this play-set.  
**Never** allow children to wear bike or sport helmets when using this play-set.  
 Failure to prohibit these items increases the risk of serious injury and death to children from entanglement and strangulation.

**SERIOUS HEAD INJURY HAZARD**  
 Maintain shock absorbing material under and around play-set as recommended in the Installation & Operating Instructions. Installation over concrete, asphalt, dirt, grass, carpet and other hard surfaces creates a risk of serious injury or death from falls to the ground.

---

**SURVEILLANCE CONSTANTE D'ADULTES EST REQUIS!**

**Risques D'étranglement**  
**Ne jamais** laisser les enfants jouer avec des cordes, cordes à linge, laisses pour animaux, des câbles, des chaînes ou ces type articles pendant de l'utilisation de cet portique de jeu ou à l'attaché de ces éléments à la portique de jeu.  
**Ne jamais** laissez les enfants de porter des vêtements amples, des ponchos, des hottes, des foulards, capes, des colliers ou des articles avec cordes attirant ou les cordons pendant l'utilisation de cet portique de jeu.  
**Ne jamais** laissez les enfants porter un casque de vélo ou de sport quand ils utilisent ce portique de jeu.  
 Défaut d'interdire ces éléments augmente le risque de blessures graves et de décès des enfants de enchevêtrement et d'étranglement.

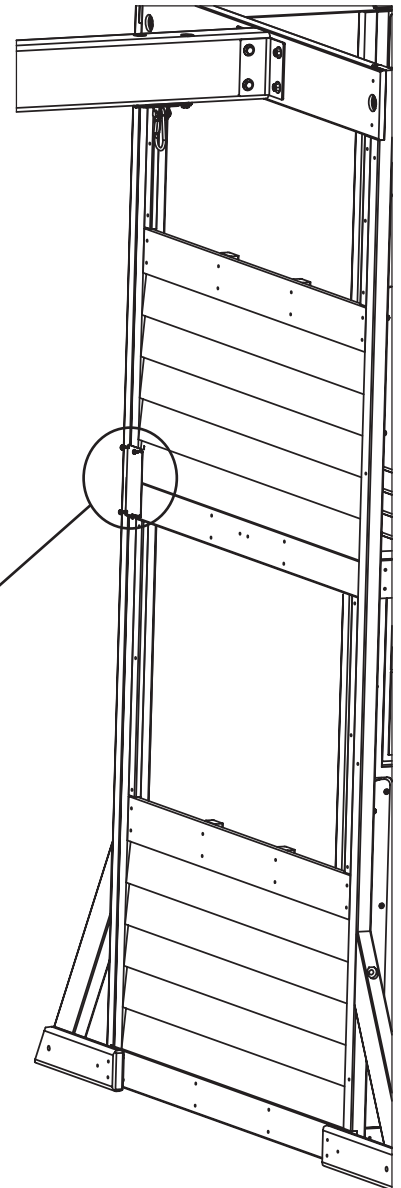
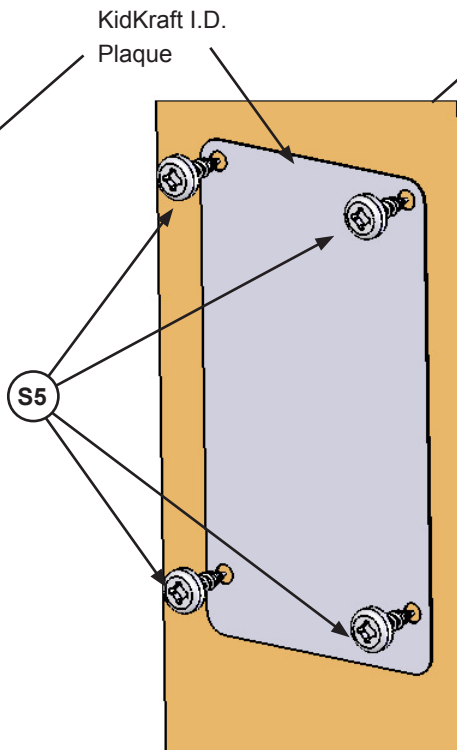
**RISQUE DE BLESSURES GRAVES DU TÔTE**  
 Maintenir le matériau absorbant les chocs sous et autour de la portique de jeu comme recommandé dans les Instructions D'installation. Installation sur béton, de l'asphalte, sol, de l'herbe, tapis et autres surfaces dure crée un risque de blessure à la tête graves ou la mort causé par tomber à la sol.

THIS PRODUCT IS INTENDED FOR USE BY CHILDREN FROM AGES 3 TO 10; weight limit of 110 lbs. per child. Maximum number of users, Installation & Operating Instructions; other information is available at:  
 POUR LES ENFANTS DE 3 À 10 ANS D'ÂGE; limite de 110 Livres par enfant. Nombre maximum d'utilisateurs, installation et d'utilisation; d'autres informations sont disponibles sur:

**www.KidKraft.com**  
 Contact us at: KidKraft  
 Dallas, TX 75244 USA  
 1-800-933-0771

Tracking Number:  
 Numéro de Suivi:

A: Attach KidKraft I.D. Plaque to a location on your set that is easily seen and read by a supervising adult using 4 (S5) #8 x 1/2" Pan Screws as shown below.



### Hardware

4 x **(S5)** #8 x 1/2" Pan Screw

### Other Parts

1 x KidKraft I.D. Plaque





# 3 EASY WAYS TO REGISTER YOUR PRODUCT 24/7

- 1) Scan this QR Code with your smartphone to complete your product registration directly from your phone:
- 2) Complete the registration online at: [https://www.kidkraft.com/us\\_en/warranty/](https://www.kidkraft.com/us_en/warranty/)
- 3) Mail this completed form to: Backyard Kids, LLC DBA KidKraft  
317 S. Main St. Ann Arbor, MI 48104  
Make sure to include a copy of your proof of purchase



## KIDKRAFT Consumer Registration Card

First Name \_\_\_\_\_ Initial \_\_\_\_\_ Last Name \_\_\_\_\_

Street \_\_\_\_\_ Apt. No. \_\_\_\_\_

City \_\_\_\_\_ State/Province \_\_\_\_\_ ZIP/Postal Code \_\_\_\_\_

Country \_\_\_\_\_ Telephone Number \_\_\_\_\_

E-Mail Address \_\_\_\_\_

Model Number \_\_\_\_\_ Model Name \_\_\_\_\_

Model Number & Name example  
 F24145 AINSLEY PLAY SYSTEM

Purchased From \_\_\_\_\_ Date Purchase \_\_\_\_\_

MM / DD / YY

Serial Number (on ID Plaque) \_\_\_\_\_



ID Plaque example

Box #: _____ 1 of _____	Box #: _____ 4 of _____	<b>Box # (Ex: B29410 1 of 6)</b>
Box #: _____ 2 of _____	Box #: _____ 5 of _____	<div style="border: 2px solid black; padding: 10px; display: inline-block;"> <span style="font-size: 2em; font-weight: bold;">1</span> OF DE <span style="font-size: 3em; font-weight: bold;">6</span> </div>
Box #: _____ 3 of _____	Box #: _____ 6 of _____	<div style="border: 1px solid black; padding: 5px; display: inline-block;">                 ITEM / ARTICLE N° <b>B29410</b> </div>

For common questions or for information on ordering replacement parts:

Help Center: <https://kidkraft.zendesk.com/hc/en-us/>

