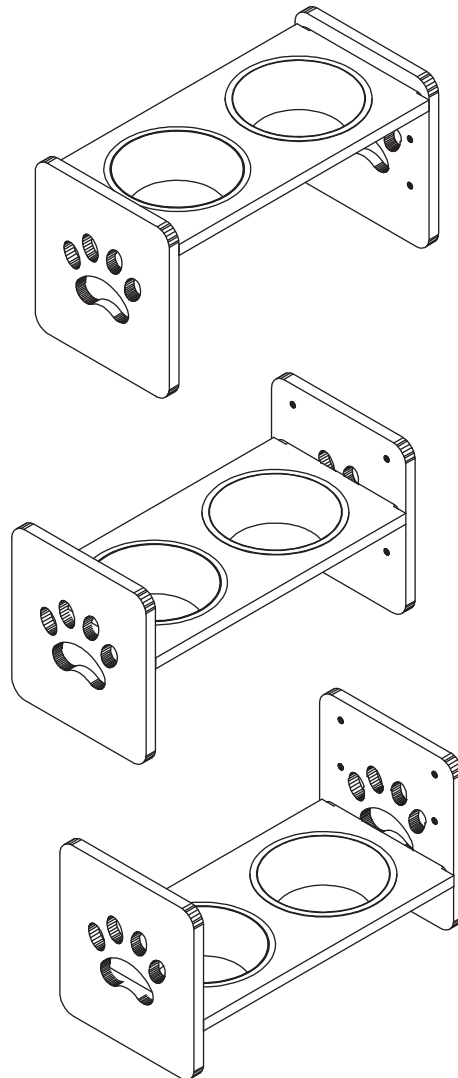


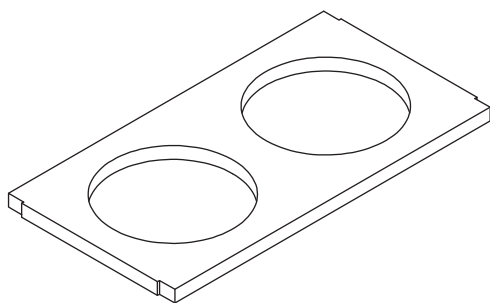
CARE INSTRUCTIONS

Thank you for choosing ADJUSTABLE PET FEEDER. With a little care and maintenance, ADJUSTABLE PET FEEDER will provide your pet with comfort and enjoyment for many years to come!

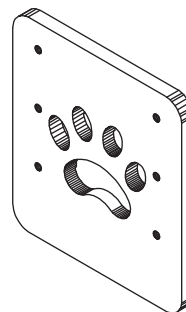
- To clean panels, use clean water on a damp cloth.
- When assembling ADJUSTABLE PET FEEDER, please handle all panels and/or hardware with care to avoid any possibilities of damages and/or injuries.



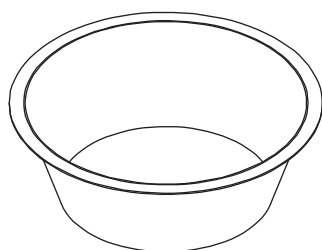
NOTE: Please read all instructions carefully before starting assembly. Also, we recommend that the unit is fully assembled on a level surface. Two people are recommended to assemble this product. **DO NOT** over torque screws and bolts.



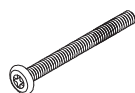
1 TOP PANEL X 1PC



2 SIDE PANEL X 2PCS



3 BOWL X 2PCS



A _____ BOLT _____ 4+1 PCS



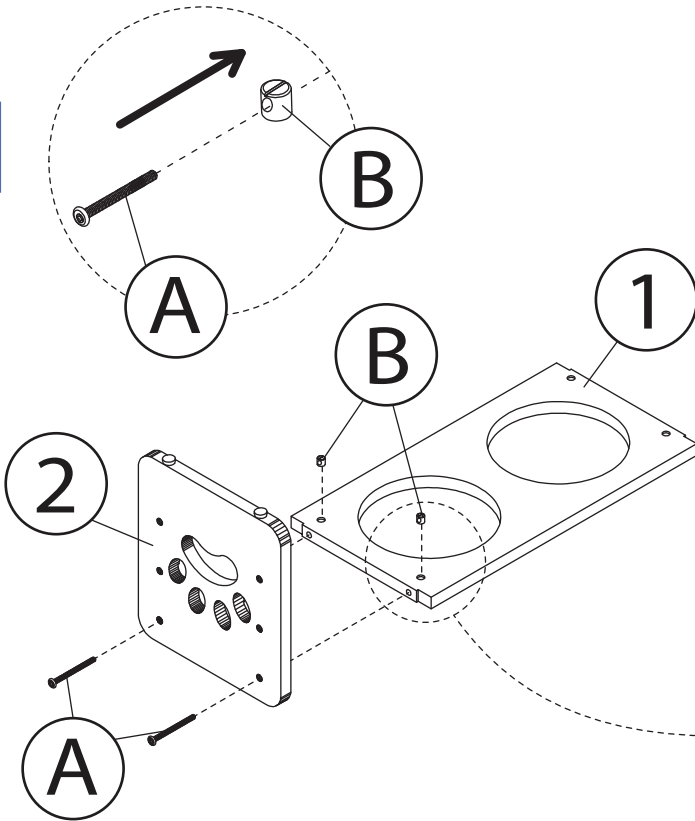
B _____ CAM _____ 4+1 PCS



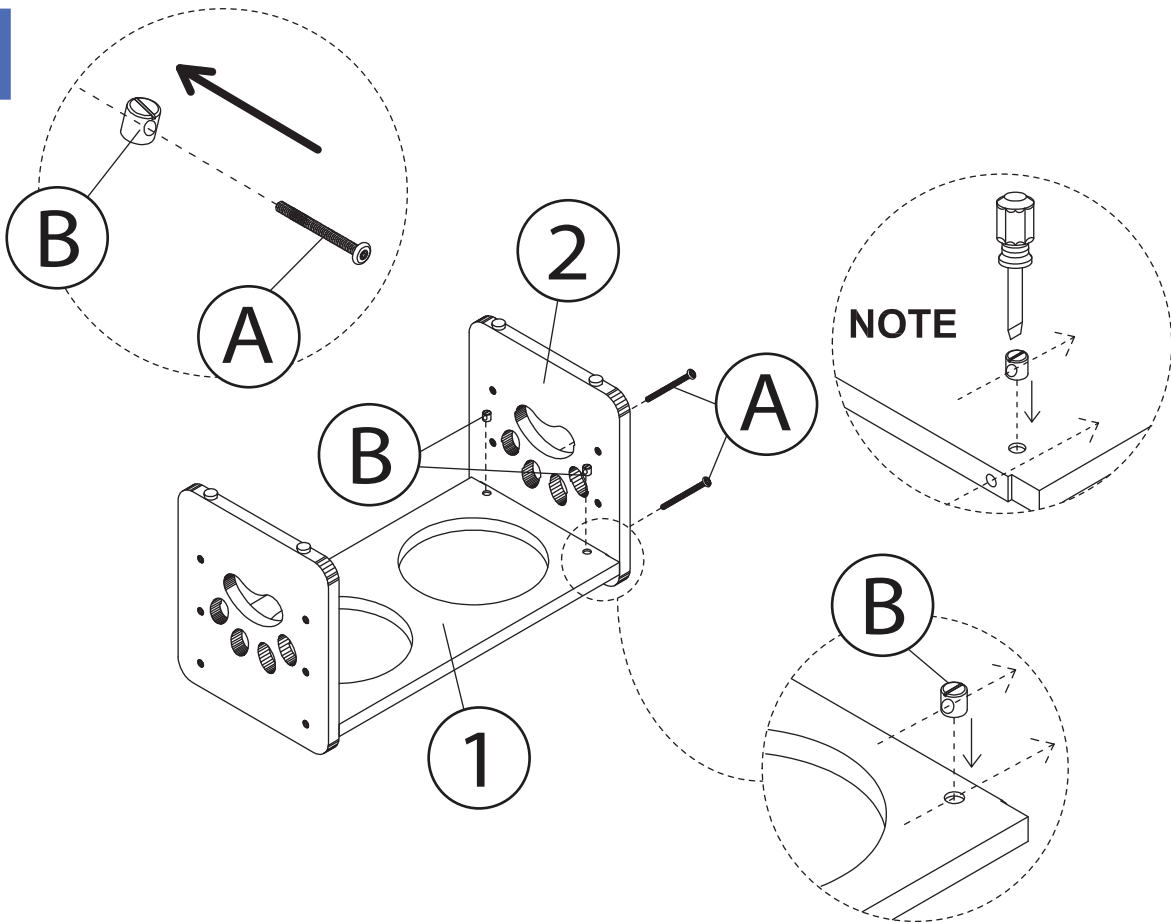
C _____ HOLE PLUG _____ 12+2 PCS

NOTE: Please read all instructions carefully before starting a
Also, we recommend that the unit is fully assembled on a level
Two people are recommended to assemble this product.
DO NOT over torque screws and bolts.

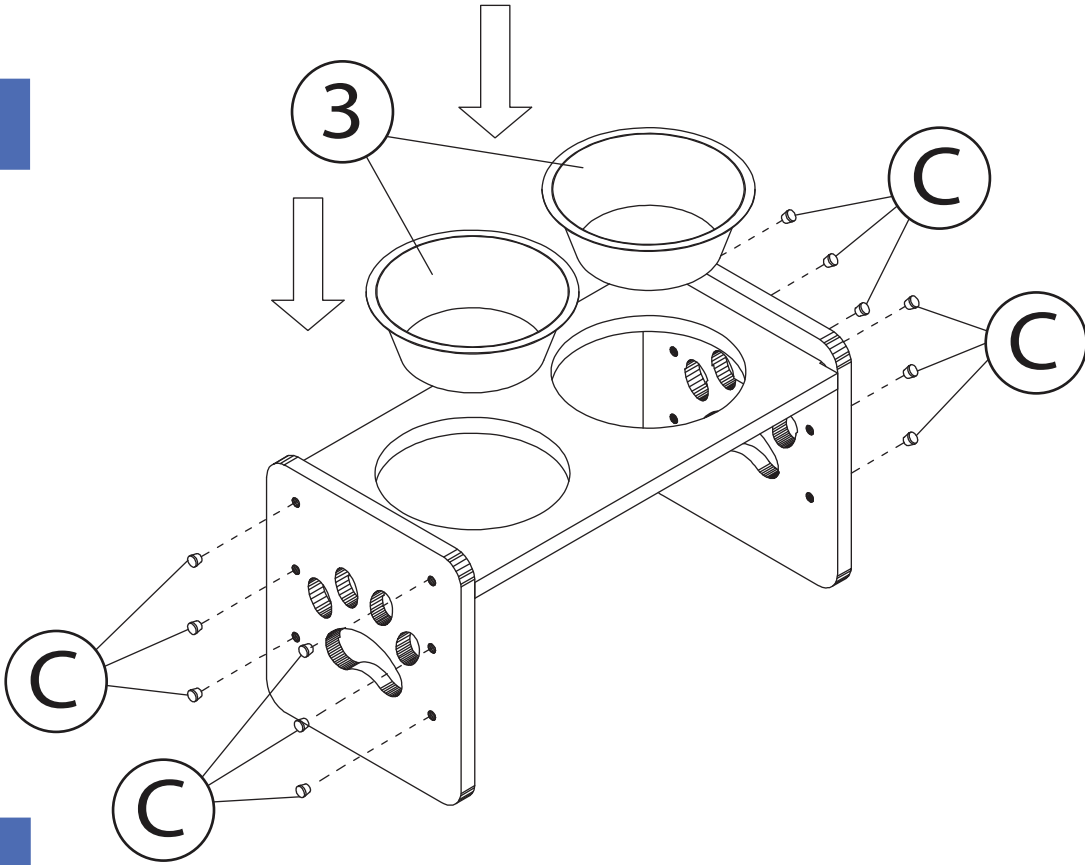
1



2



3



4

