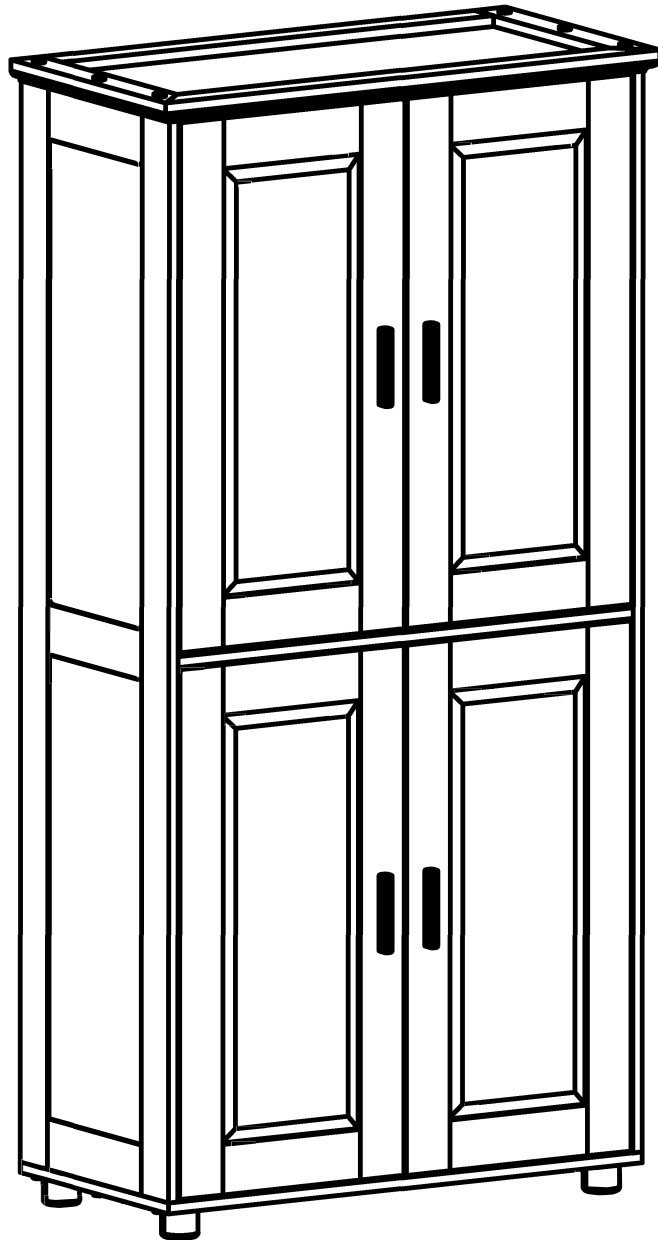
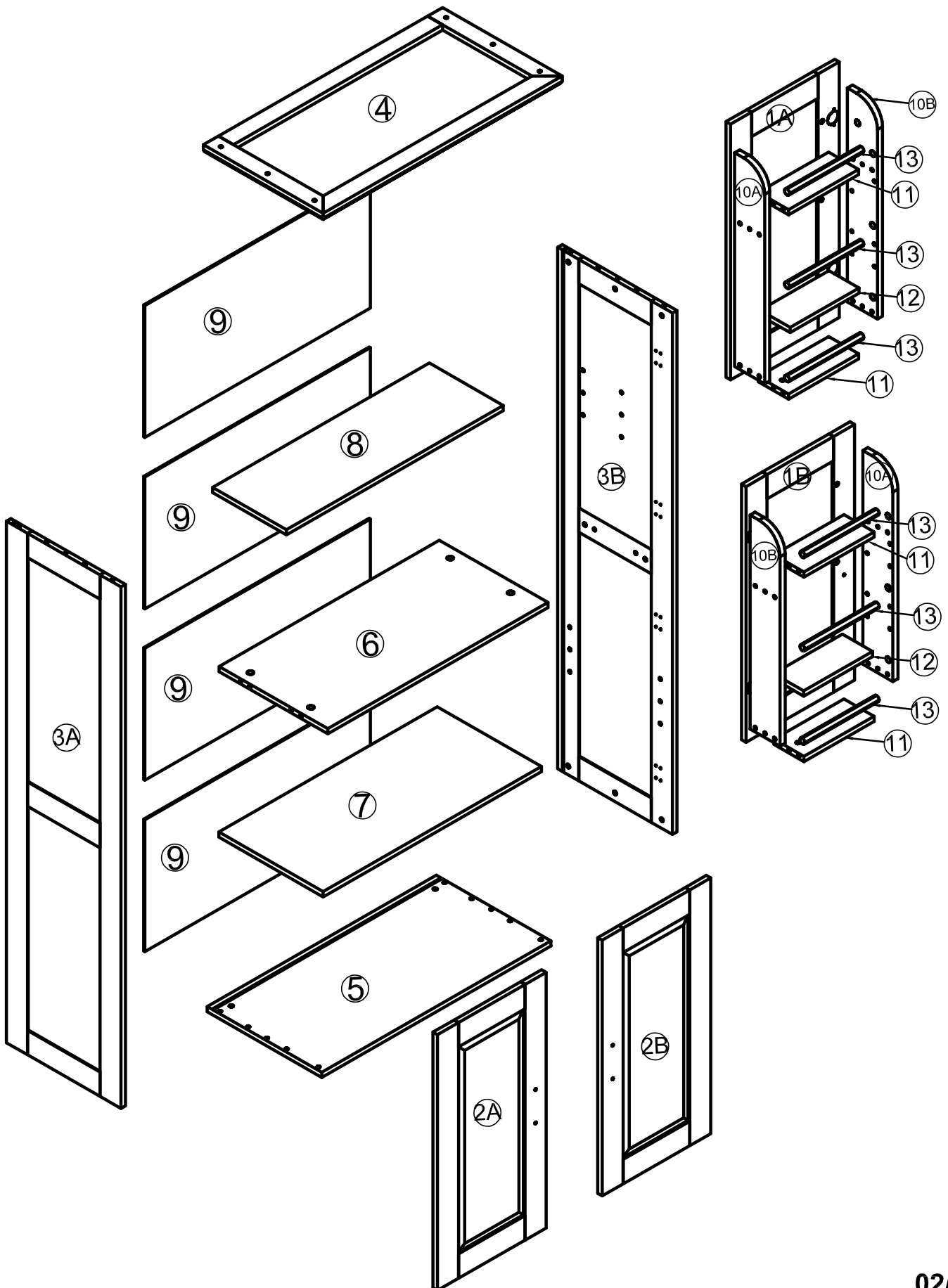


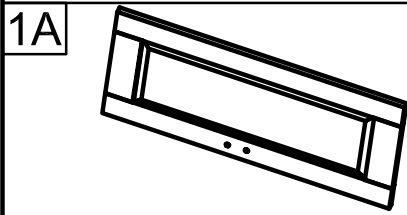
ASSEMBLY INSTRUCTION



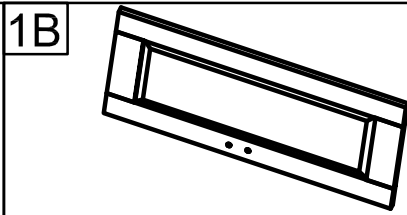
ASSEMBLY INSTRUCTION



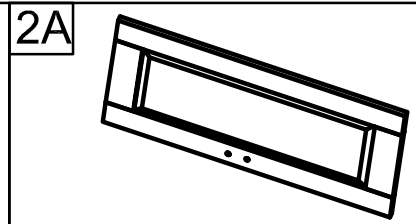
Part List



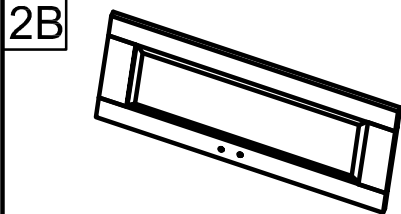
CABINET WINGS-1pcs



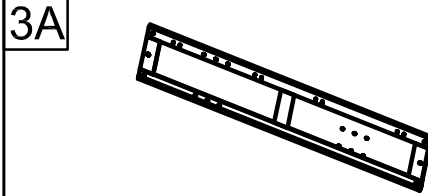
CABINET WINGS-1pcs



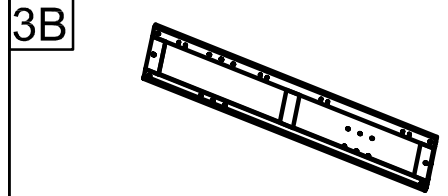
CABINET WINGS-1pcs



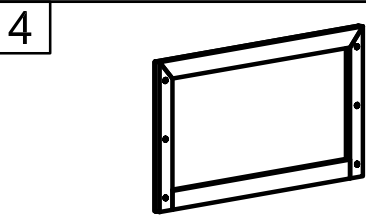
CABINET WINGS-1pcs



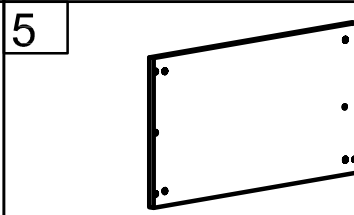
SIDE EDGE OF CABINET-1pc



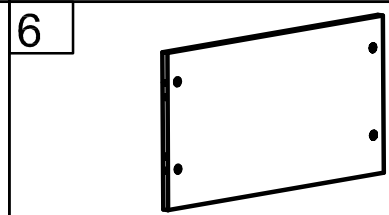
SIDE EDGE OF CABINET-1pc



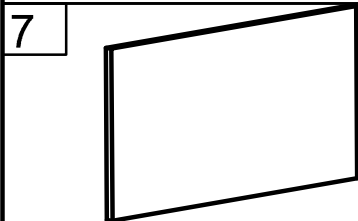
The top of the cabinet-1pcs



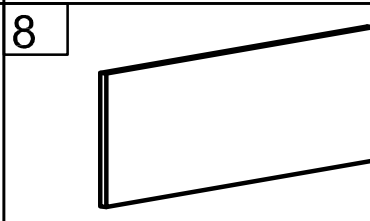
CABINET BOTTOM-1pcs



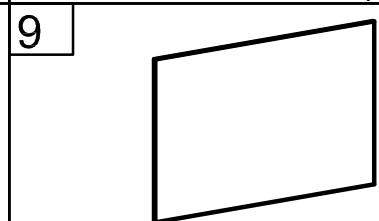
FIXED SHELF-1pcs



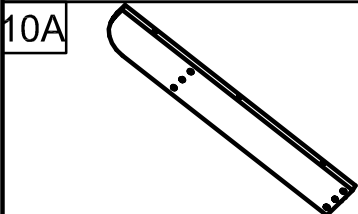
MOVING SHELVES-1pcs



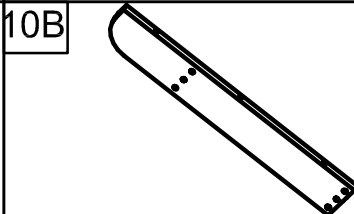
MOVING SHELVES-1pcs



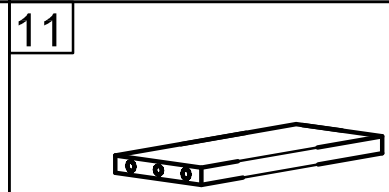
Cabinet Back-4pcs



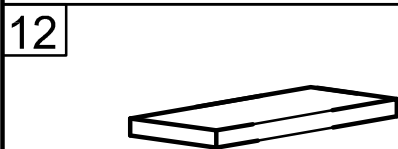
STANDING BAR SHELF-2pc



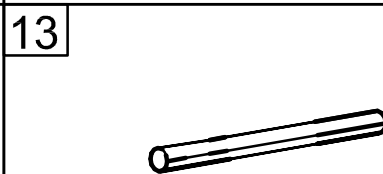
STANDING BAR SHELF-2pc



FIXED SHELF-4pcs



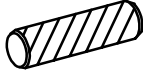


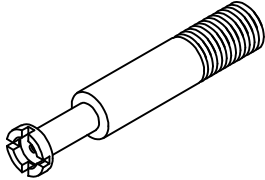




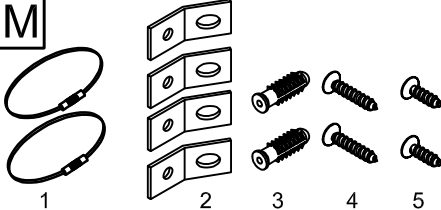

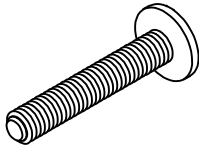

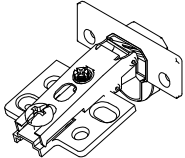
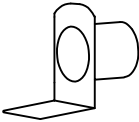


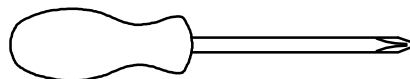
MOVING SHELVES-2pcs



ROUND BAR SHELF-6pc


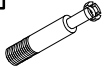

Hardware List

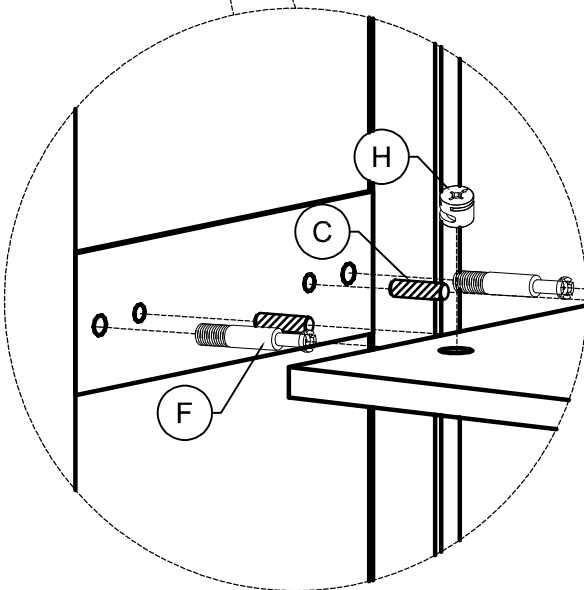
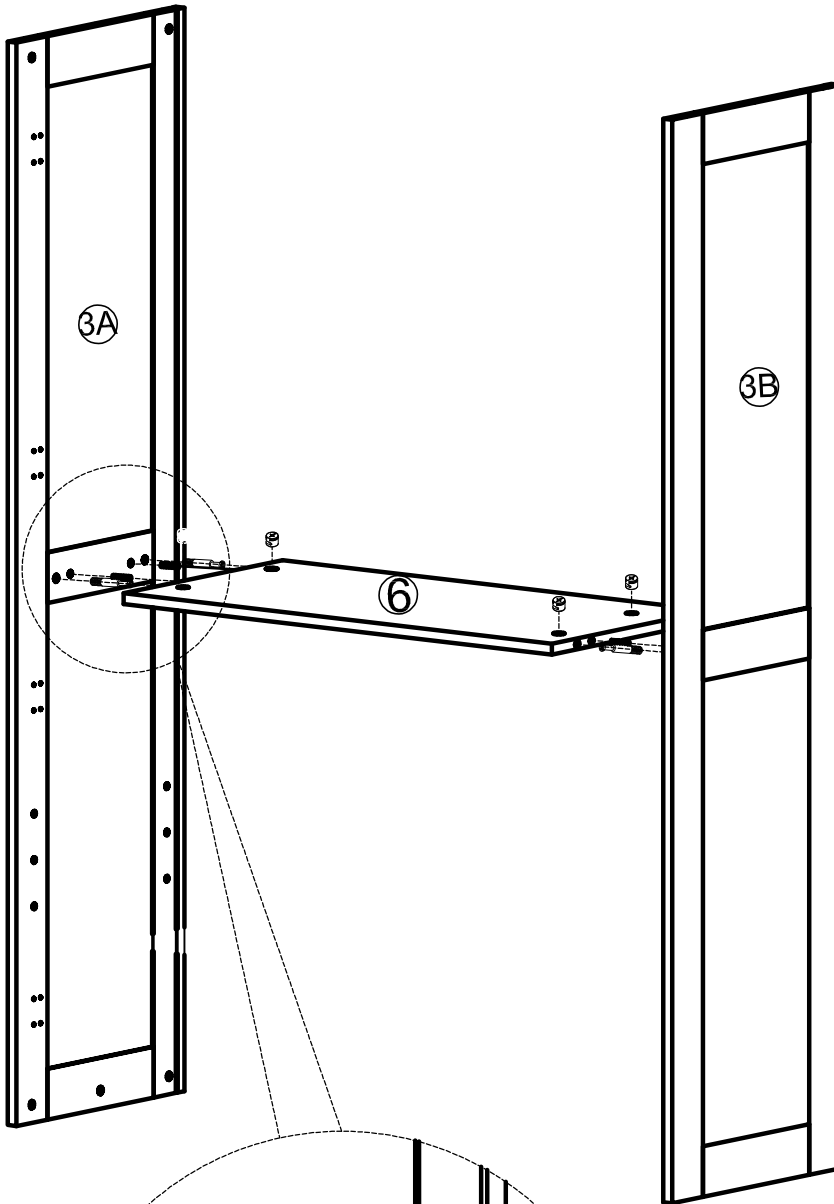
<p>A</p>  <p>Ø1/4" x 70mm Hex-Head bolts 6pcs</p>	<p>B</p>  <p>Ø1/4" x 13 mm Horizontal-Hole bolts 20pcs</p>	<p>C</p>  <p>Ø8 x 30 mm Wood dowel 28pcs</p>
<p>D</p>  <p>M4 x 30 mm Wood Screws 22pcs</p>	<p>E</p>  <p>Ø1/4" x 50mm Hex-Head bolts 14pcs</p>	<p>F</p>  <p>Link 1 - 16 pcs</p>
<p>G</p>  <p>Plastic Feet(Ø50x40) 4pcs</p>	<p>H</p>  <p>Link 2 - 16 pcs</p>	<p>K</p>  <p>Allen Key 1pc</p>
<p>L</p>  <p>Handle Steel 4pcs</p>	<p>M</p>  <p>Wall brackets 2set</p>	<p>O</p>  <p>M4 x 20 mm Wood Screws 12pcs</p>
<p>P</p>  <p>M4 x 18mm Hex-Head bolts 8pcs</p>	<p>W</p>  <p>M4 x 15 mm Wood Screws 48pcs</p>	<p>X</p>  <p>Hinge - 8Pcs</p>
	<p>Z</p>  <p>Support Pin 24pcs</p>	



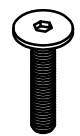
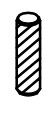

Assembly Tools Required (Not Included)

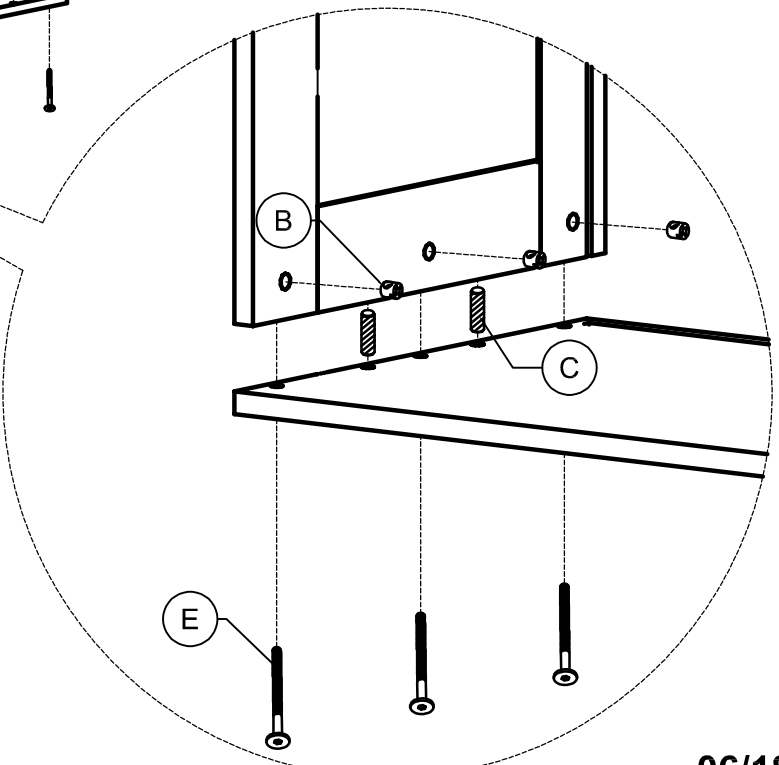
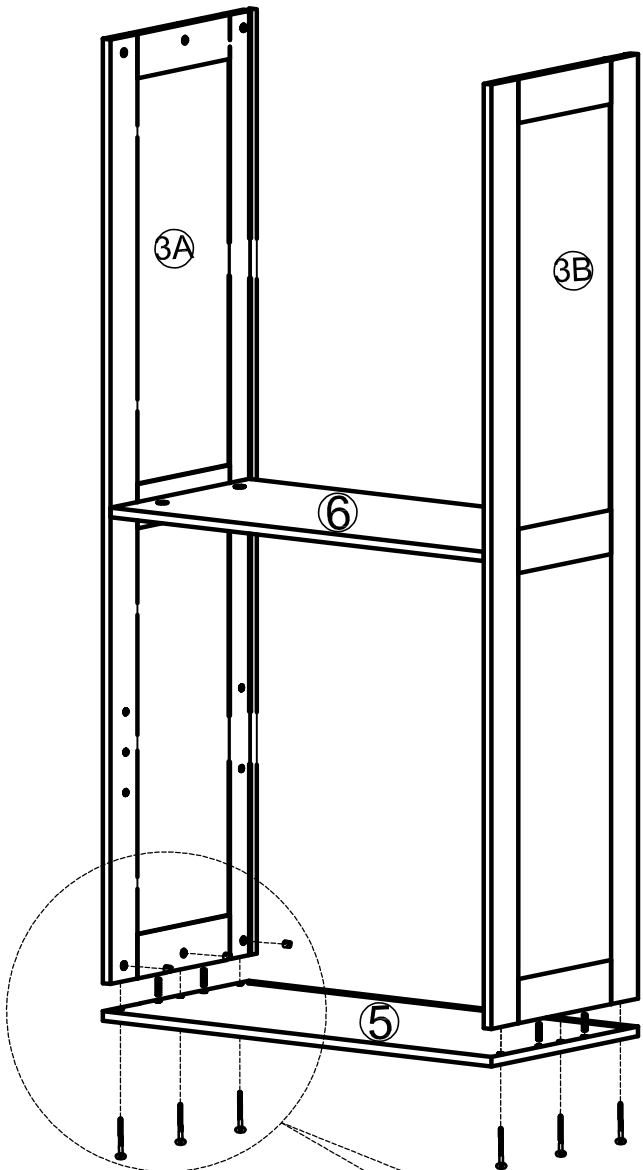
STEP 1: Following below illustration:

C		F		H	
	4pcs		4pcs		4pcs

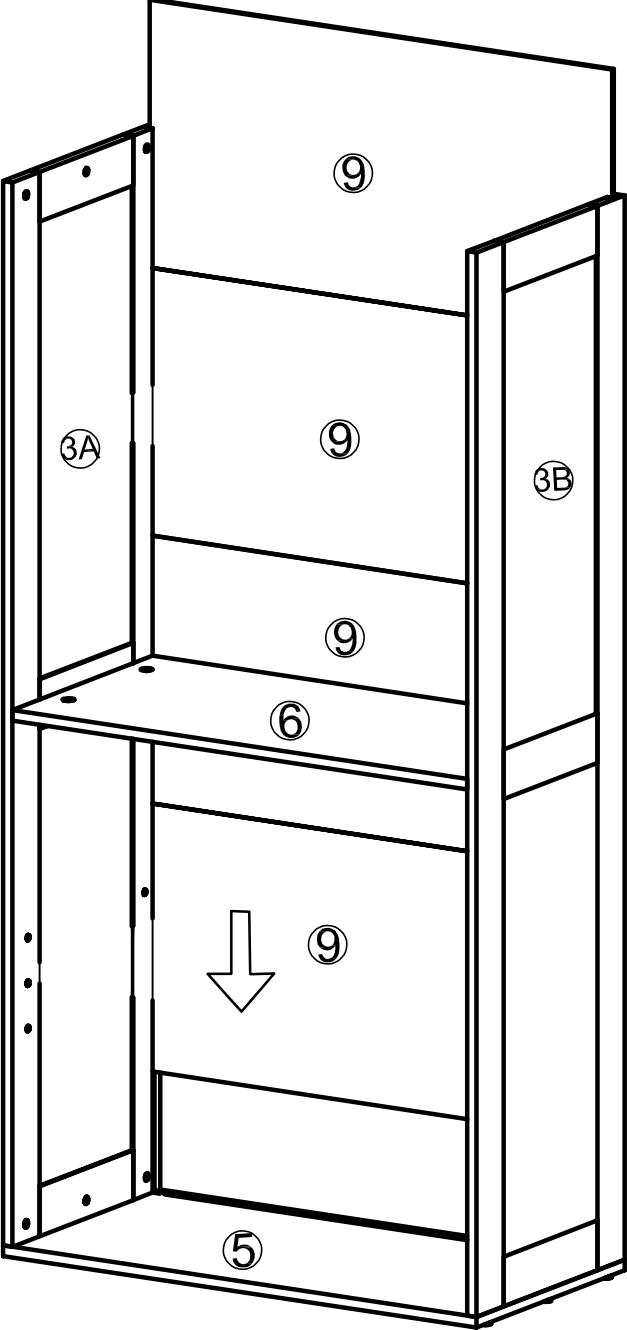


STEP 2: Following below illustration:

E 	C 	B 
6pcs	4pcs	6pcs

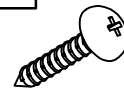


STEP 3: Following below illustration:

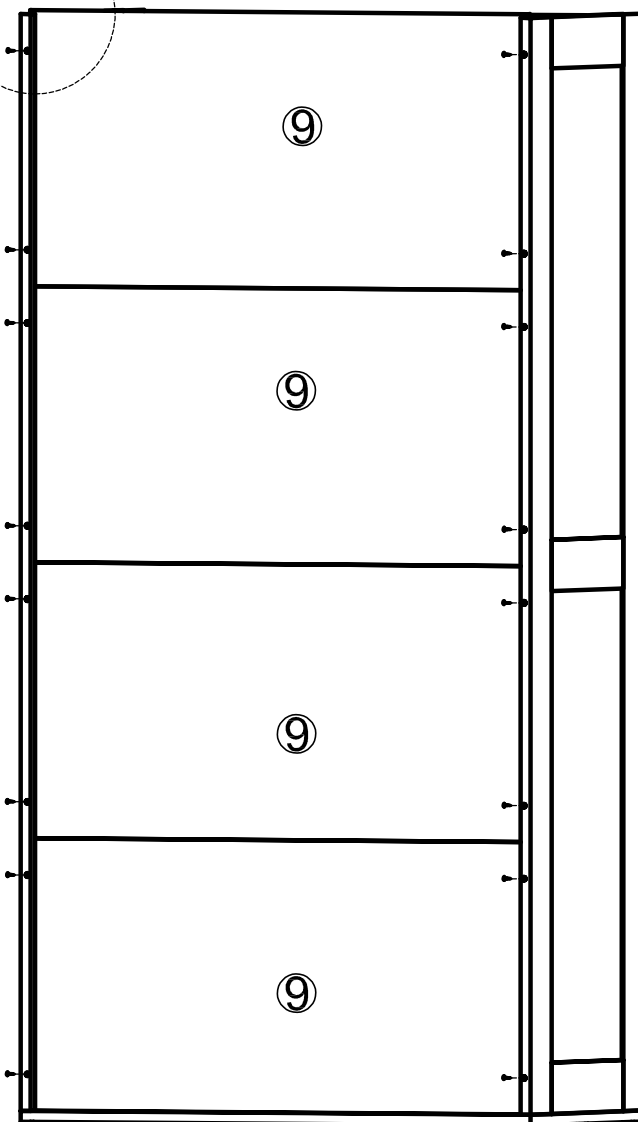
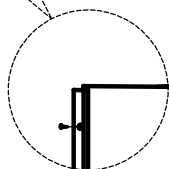
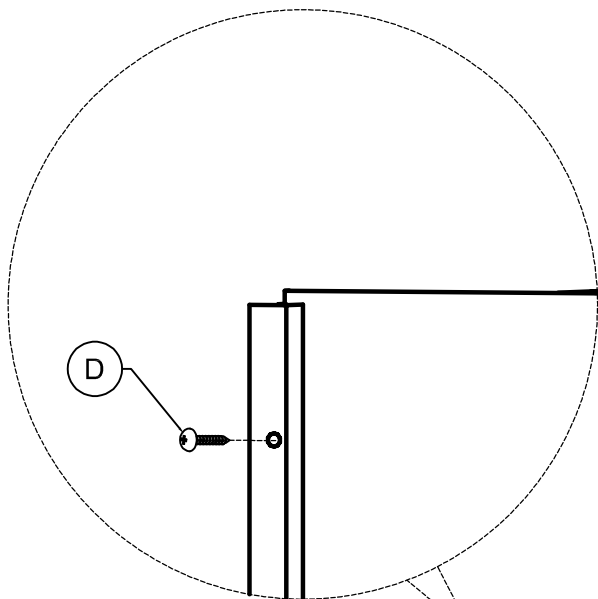


STEP 4: Following below illustration:

D

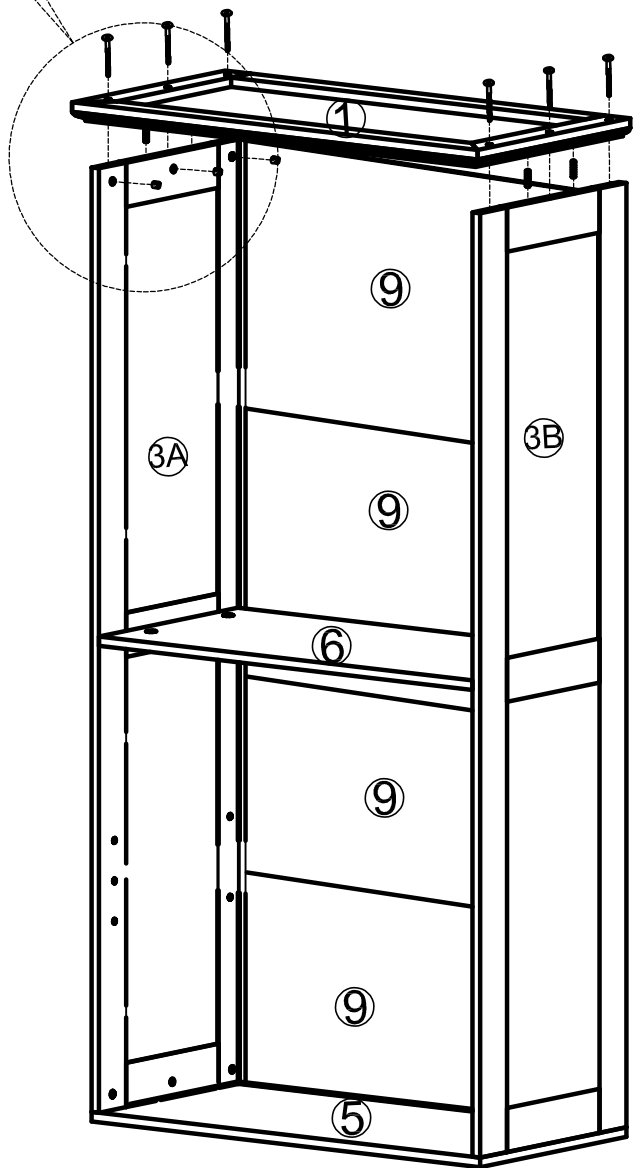
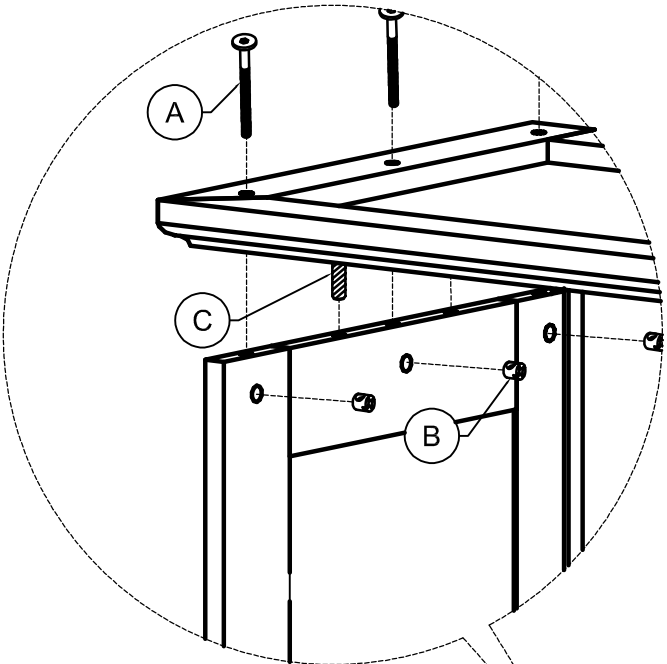


16pcs



STEP 5: Following below illustration:

A	C	B
6pcs	4pcs	6pcs



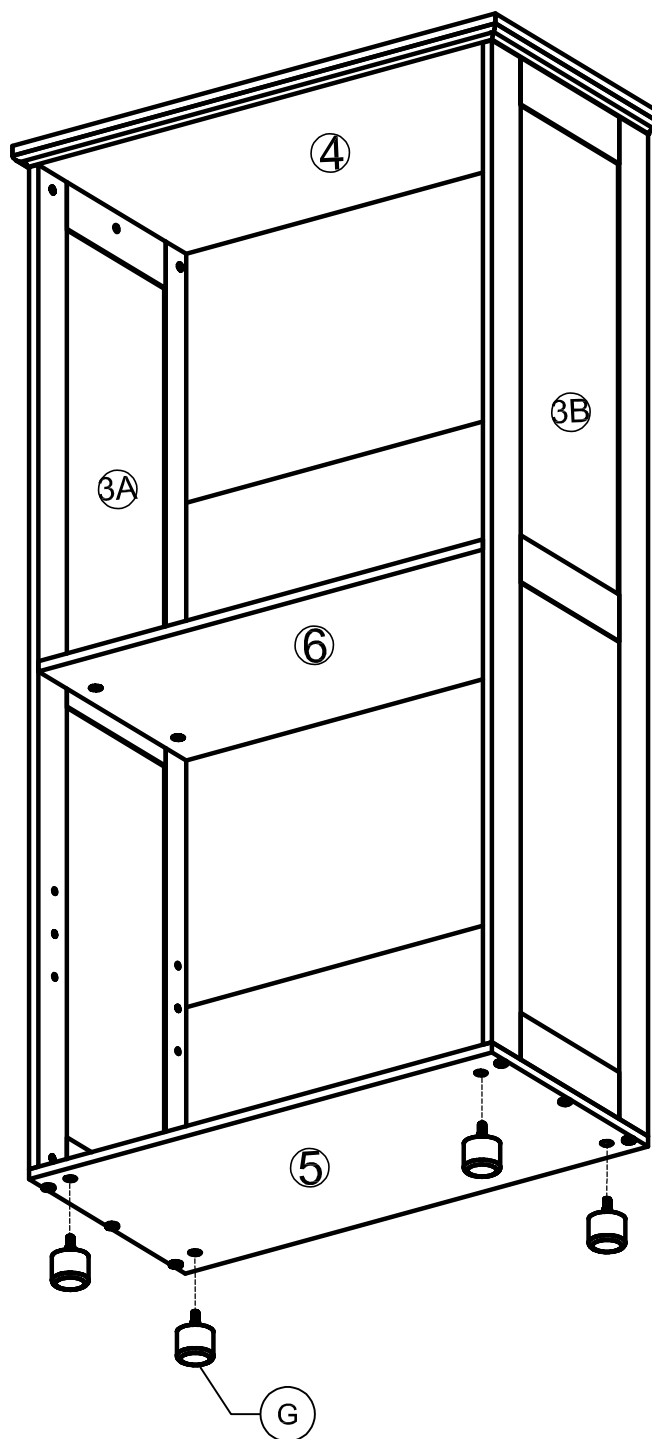
STEP 6:

Following below illustration:

G







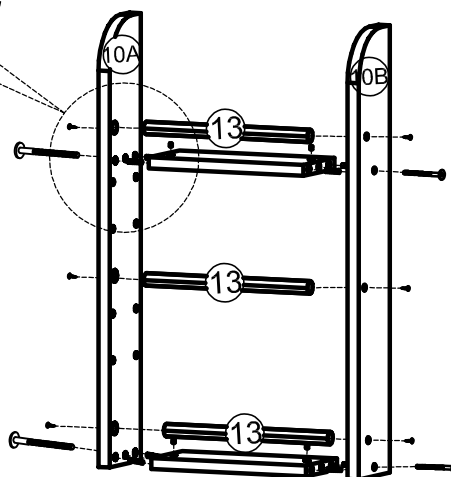
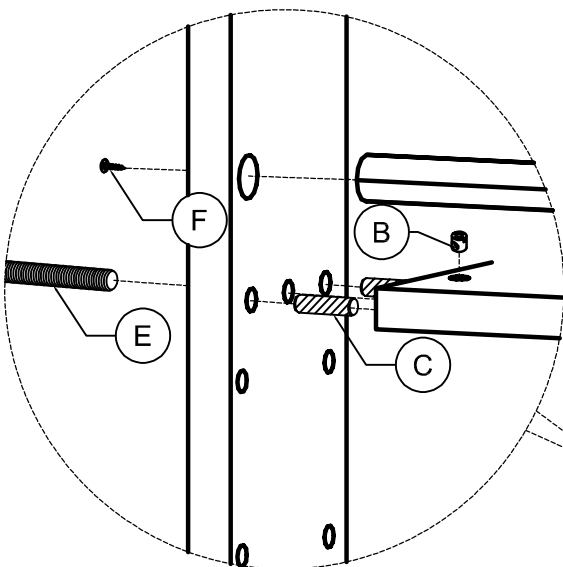
4pcs



STEP 7:

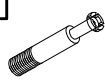

Following below illustration:

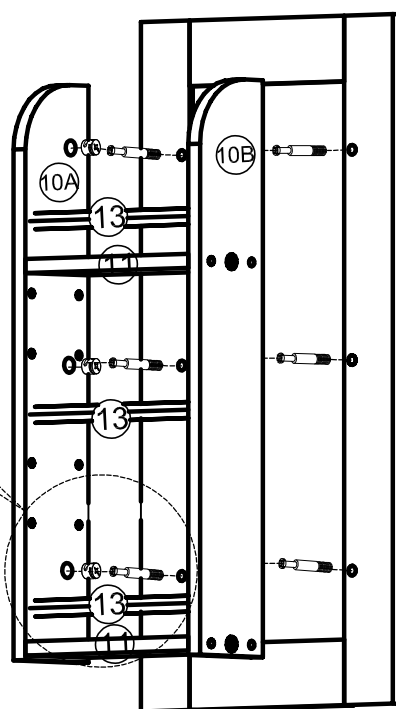
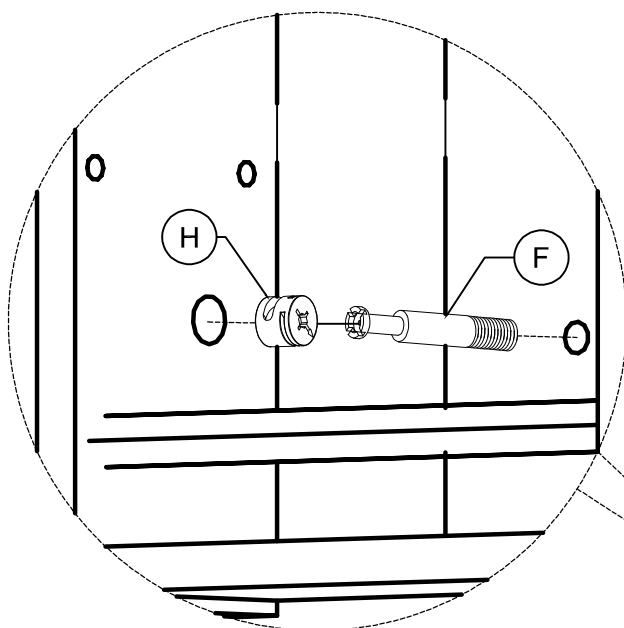
O		C		E		B	
	12pcs		16pcs		8pcs		8pcs



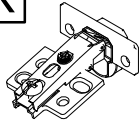

STEP 8:

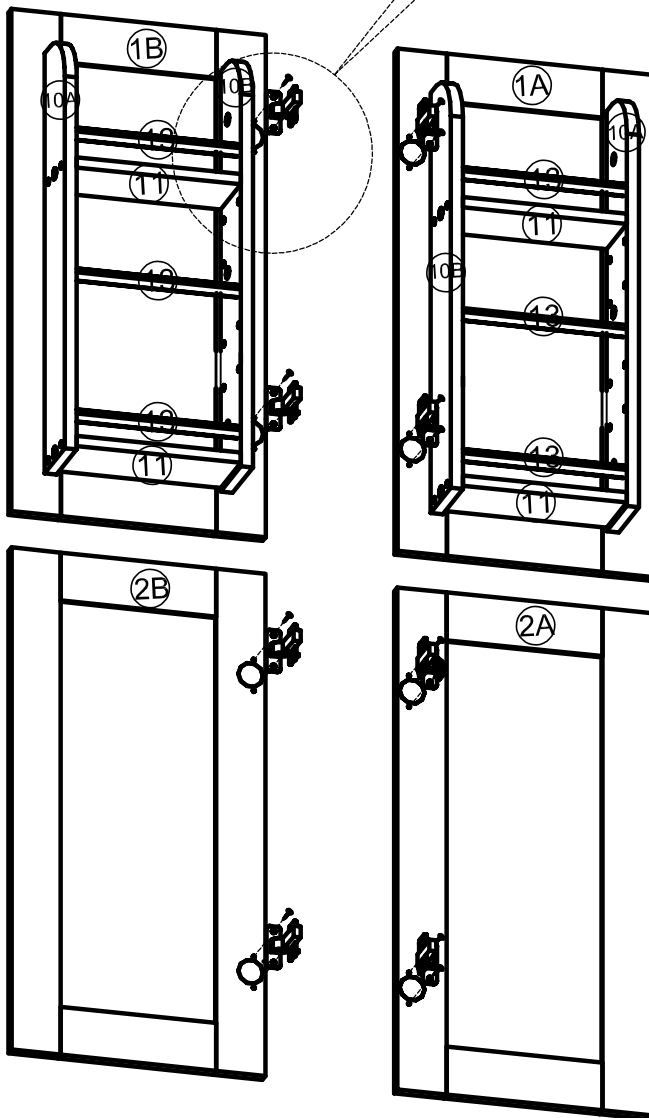
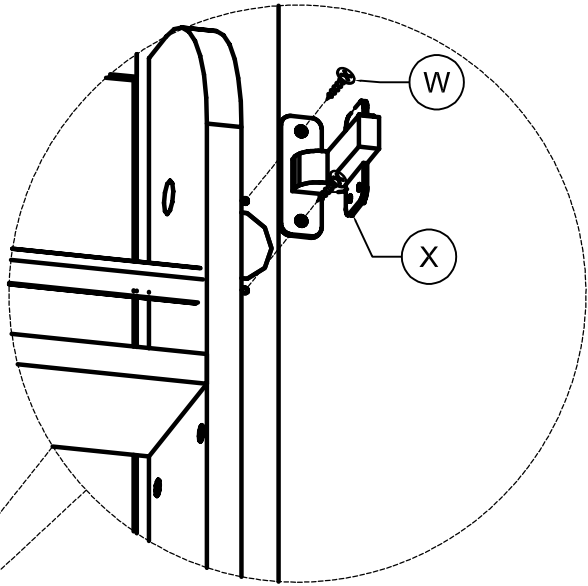
Following below illustration:

F		H	
	12pcs		12pcs



STEP 9: Following below illustration:

X	W
	
8pcs	16pcs

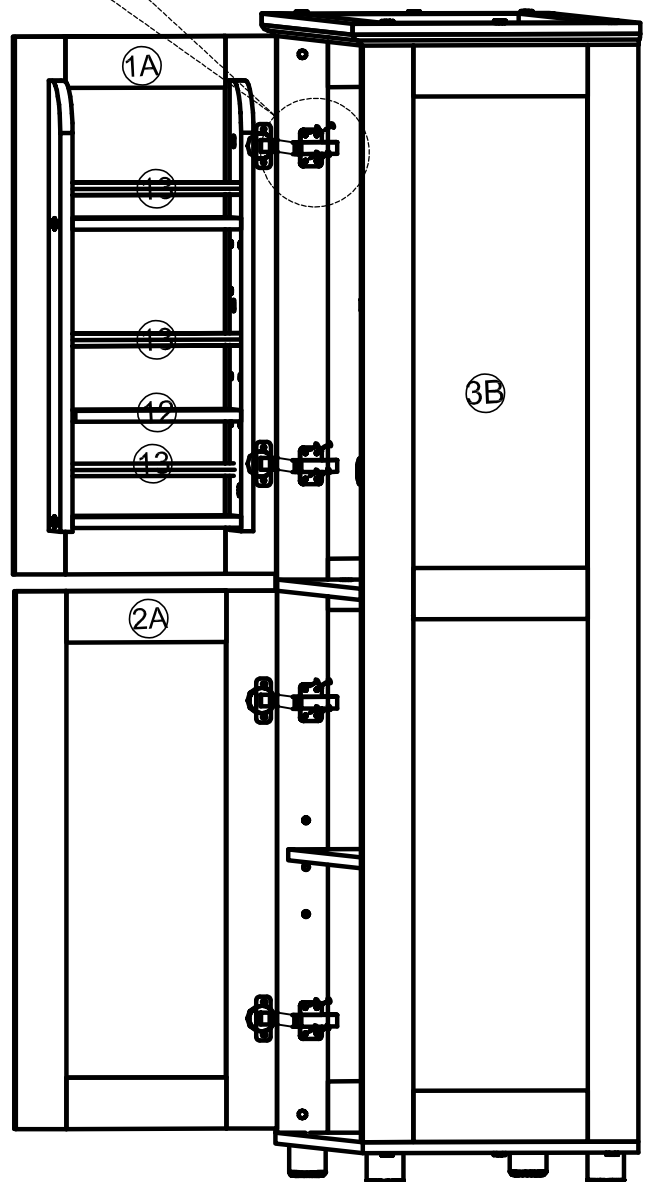
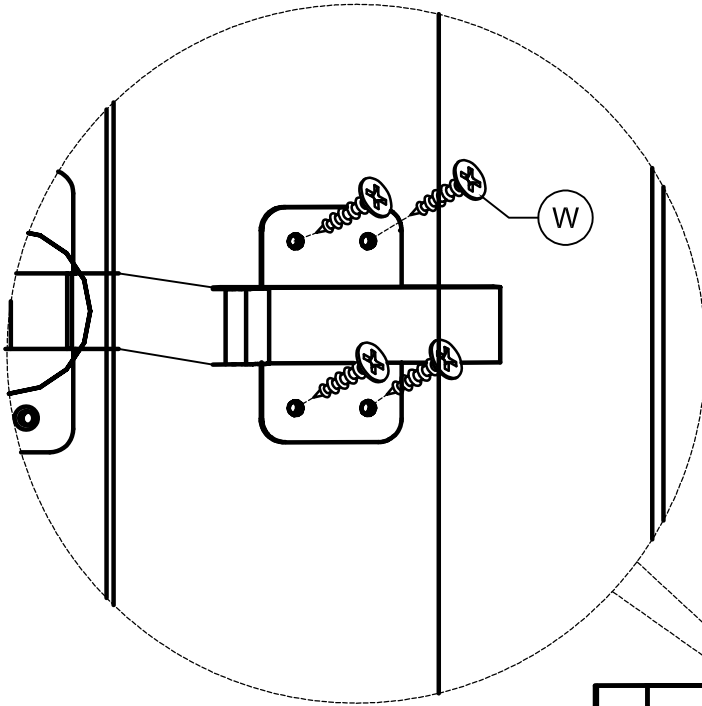


STEP 10: Following below illustration:



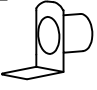
W

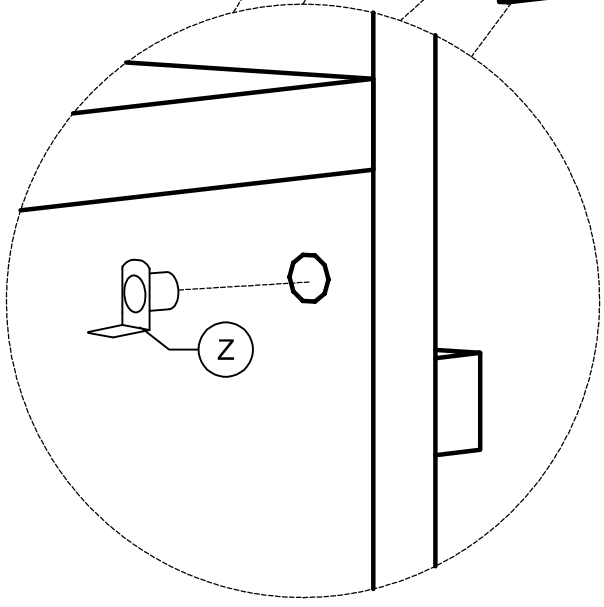
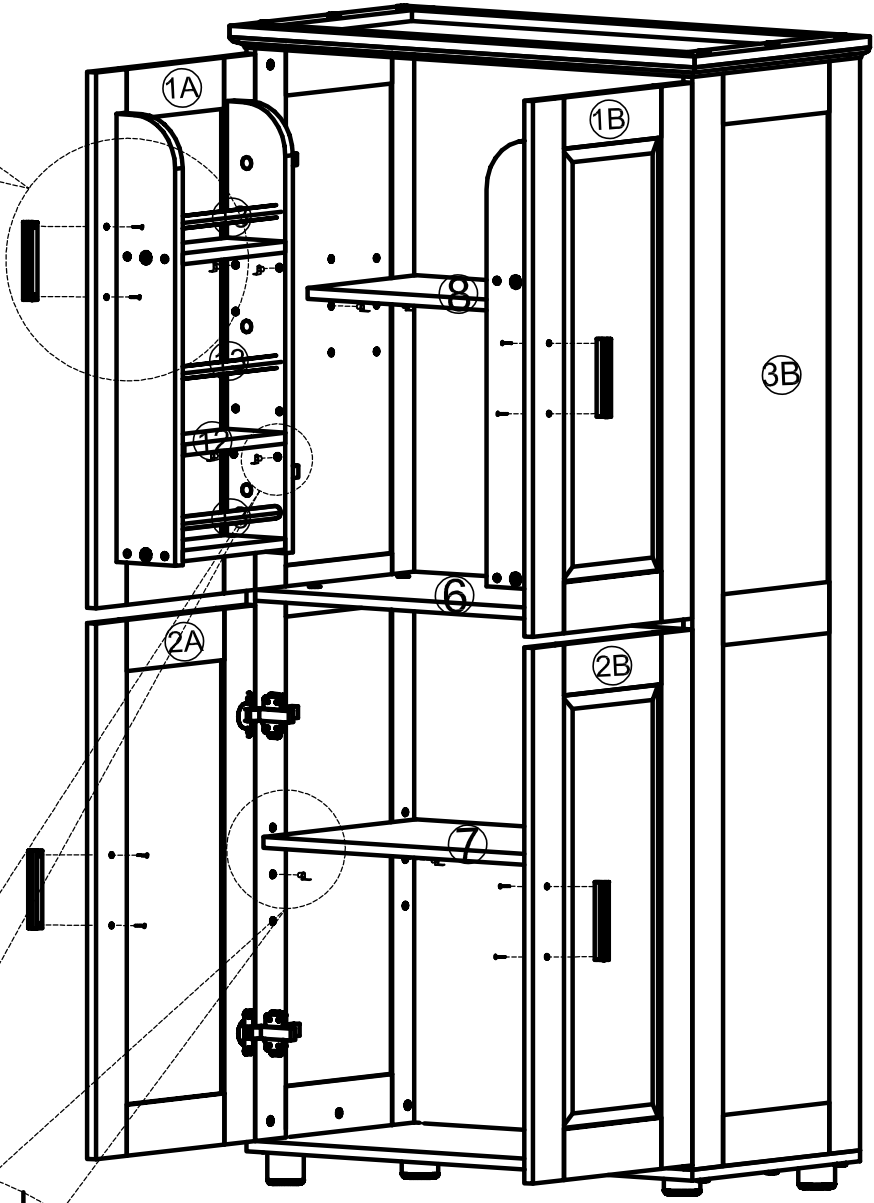
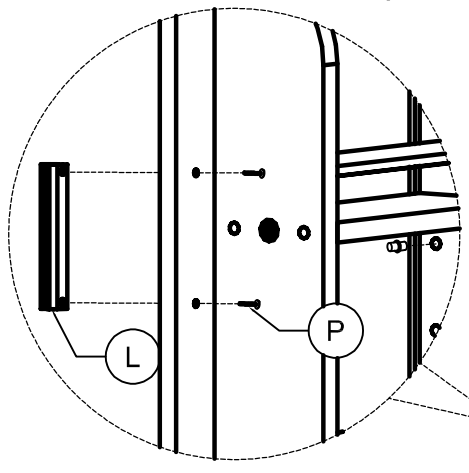


32pcs

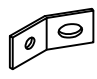

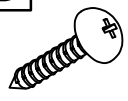


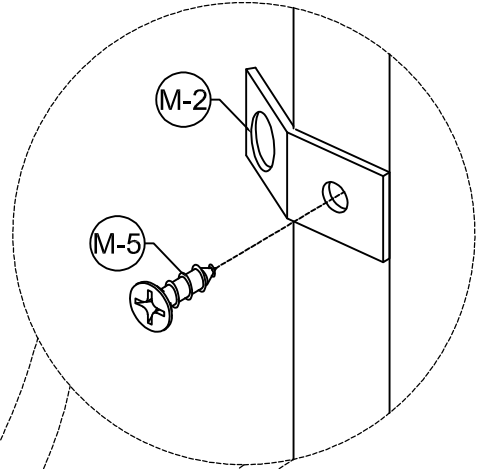
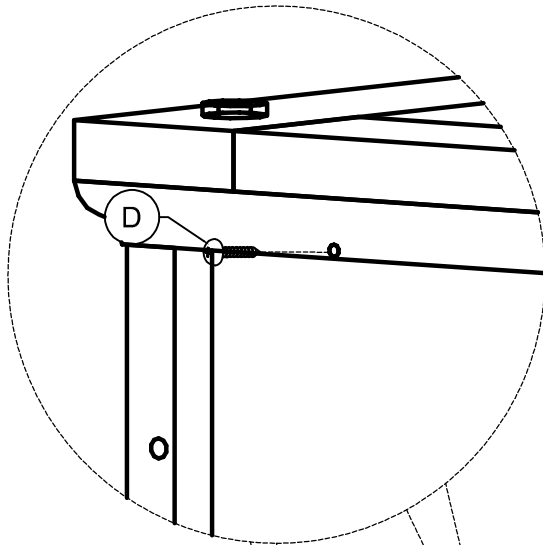
STEP 11: Following below illustration:

L	P	Z
		
4pcs	8pcs	24pcs

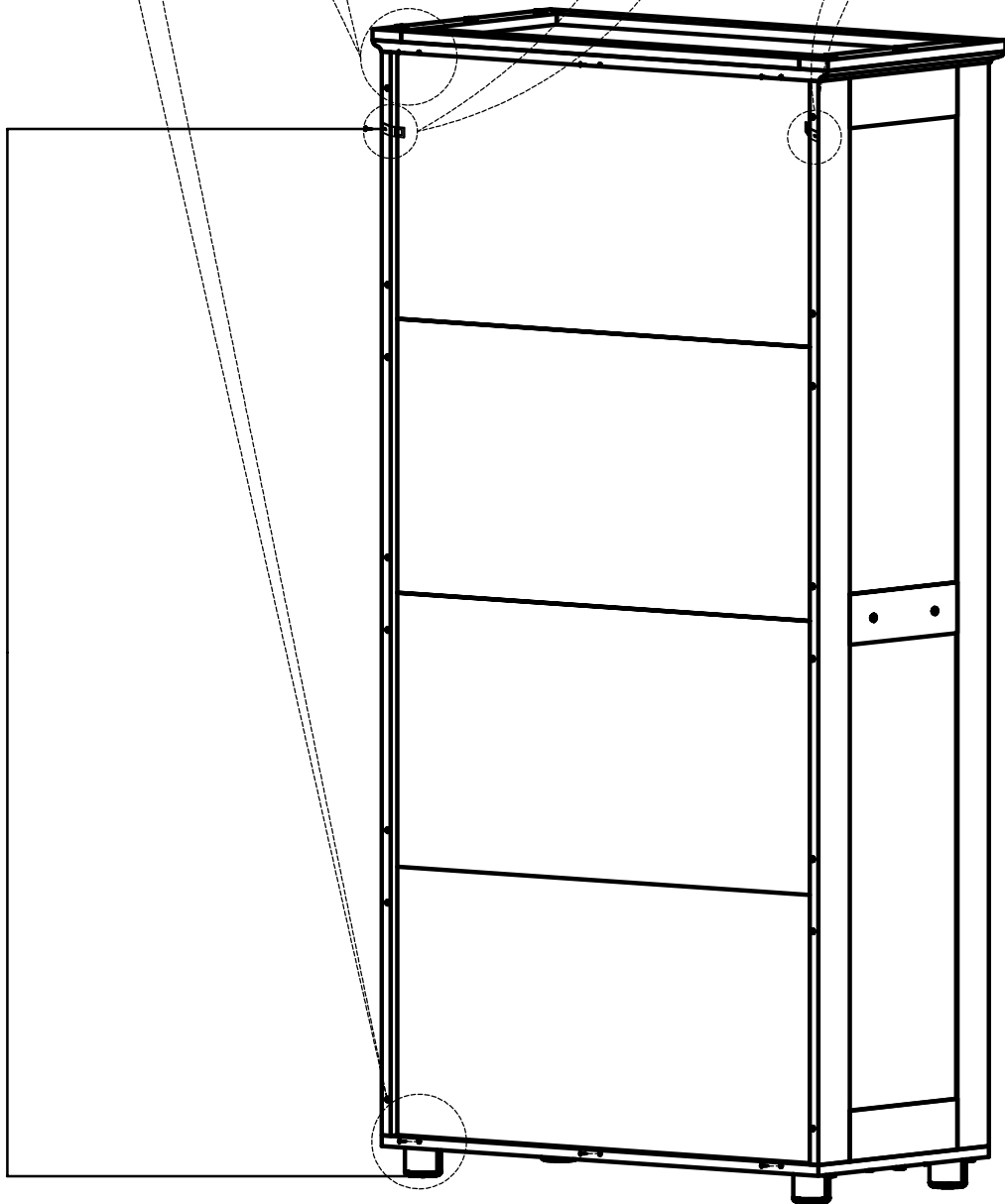


STEP 12: Following below illustration:

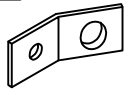


M-2	M-5	D
		
2pcs	2pcs	6pcs

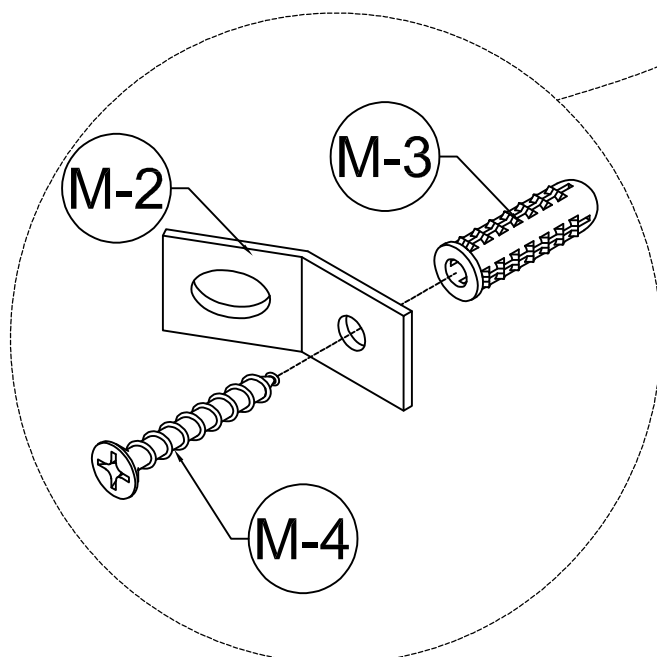
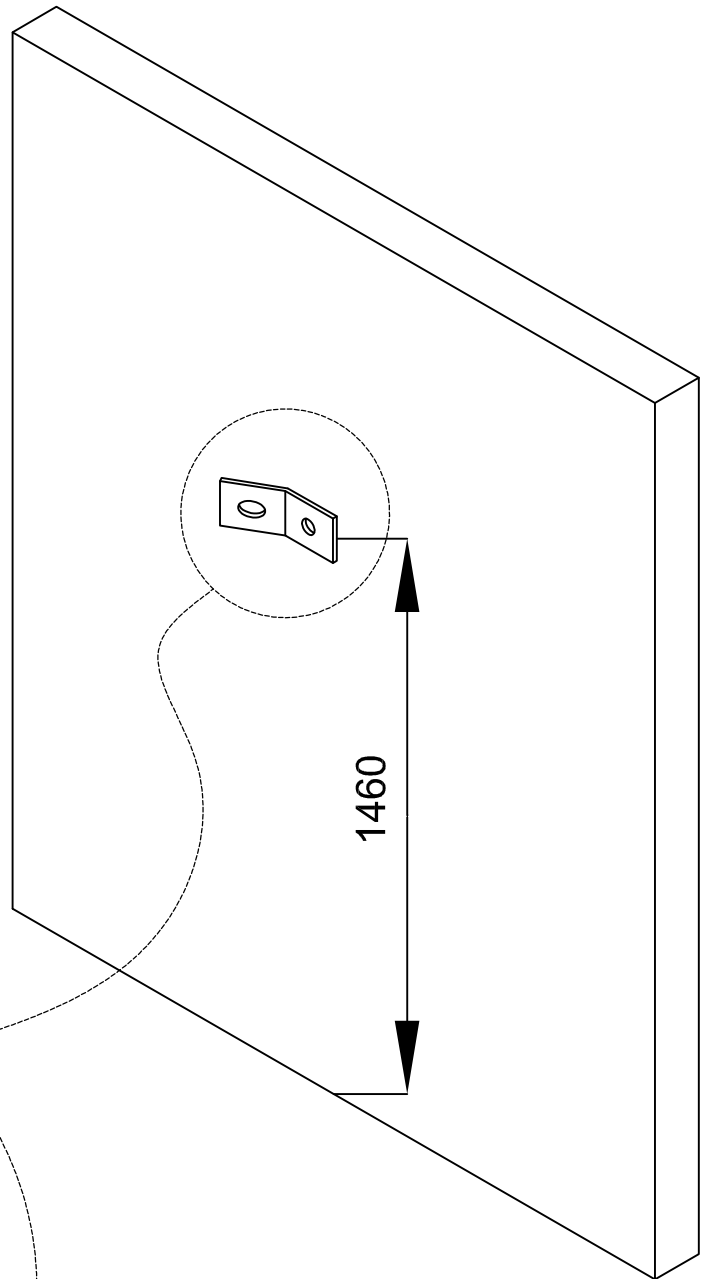


1460



STEP 13: Following below illustration:

M-2	M-4	M-3
		
2pcs	2pcs	2pcs

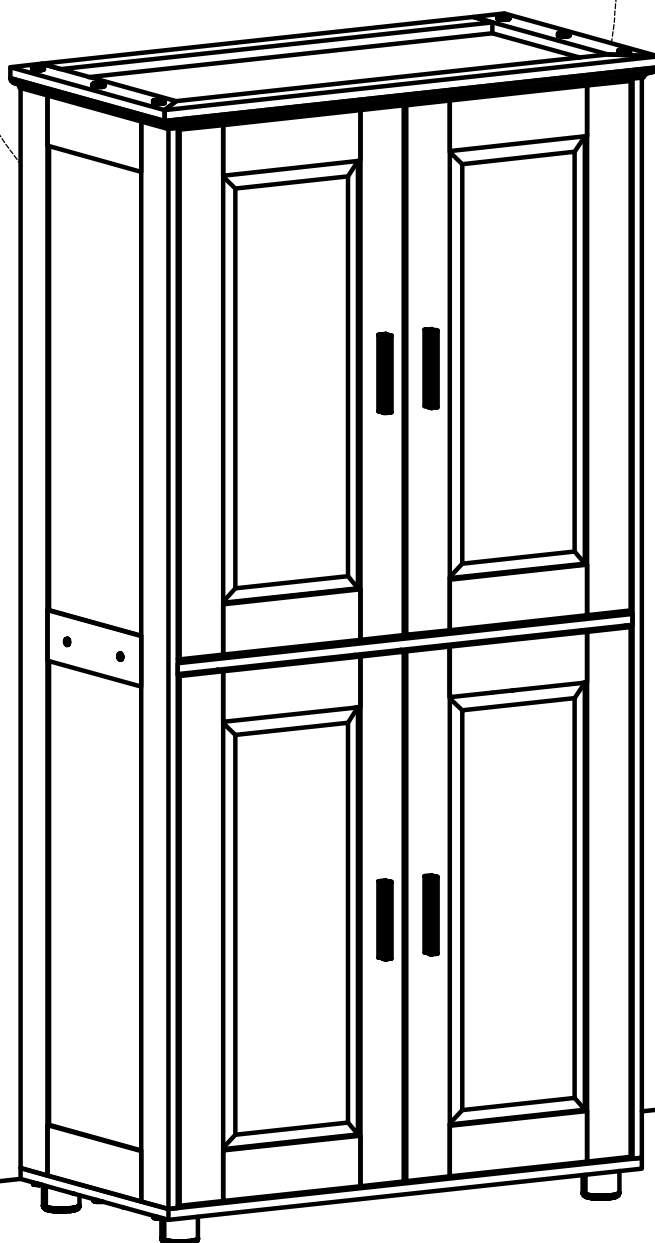
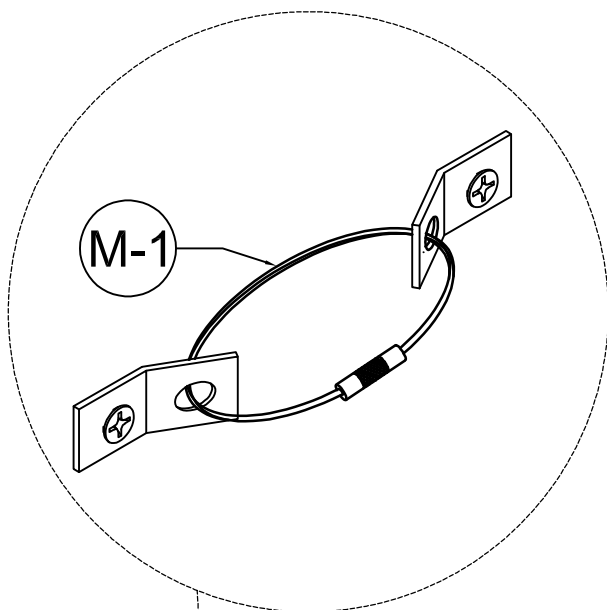


STEP 14: Following below illustration:

M-1



2pcs



FINISH

