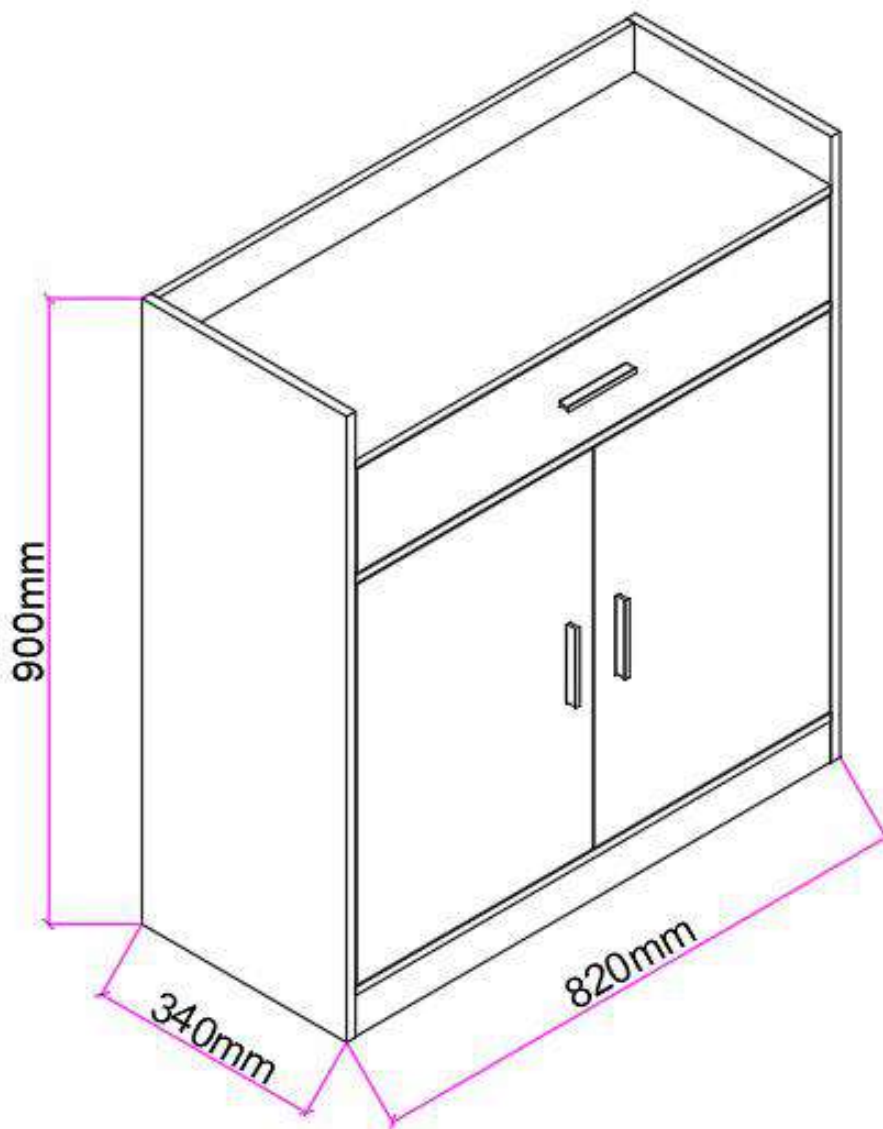



# Novara --- 2 Door 1 Drawer Shoe Cabinet

Assembly Instructions – Please keep for future reference



Dimensions	No. people	Assembly Time	OW #
Width: 82cm Depth: 34cm Height: 90 cm		45 mins (approx.)	SHONOVGRY/ SHONOVOAK/ SHONOVBLK/ SHONOVWHT

*thank you*

For purchasing this

product

## **Important**

- PLEASE READ THESE INSTRUCTIONS FULLY BEFORE STARTING ASSEMBLY
- PLEASE DO NOT THROW THE PACKAGING AWAY UNTIL YOU ARE SATISFIED WITH PURCHASE, GOODS NEED TO BE RETURNED IN ORIGINAL PACKAGING.

# Safety and Care Advice

## Important

- PLEASE READ THESE INSTRUCTIONS FULLY BEFORE STARTING ASSEMBLY
- PLEASE DO NOT THROW THE PACKAGING AWAY UNTIL YOU ARE SATISFIED WITH PURCHASE, GOODS NEED TO BE RETURNED IN ORIGINAL PACKAGING.

- Check you have all the components and tools listed on pages 4 and 5.
- Remove all fittings from the plastic bags and separate them into their groups.
- Keep children and animals away from the work area, small parts could choke if swallowed.
- Make sure you have enough space to lay out the parts before starting.
- Do not stand or put weight on the product, this could cause damage.
- Assemble the item as close to its final position (in the same room) as possible.
- Assemble on a soft, level surface to avoid damaging the unit or your floor.
- We do not recommend the use of power drill/drivers for inserting screws, as this could damage the unit. Only use hand screwdrivers.
- Dispose of all packaging carefully and responsibly.



## Glass Warnings

1. Do not place very hot or very cold items against or in close proximity to glass surfaces unless an adequately thick insulating material is used to prevent such items from coming into contact with the glass.
2. Do not strike the glass with hard or pointed items.
3. When cleaning glass panels or mirrors use a damp cloth or leather with washing up liquid or soft soap if necessary: do not use washing powders or any other substance containing abrasives since these substances can scratch glass.
4. It is essential that this unit is fixed to a wall with the fixings provided (if applicable).
5. The class of glass used complies with Class **x** of BS6206
6. This product complies with BS7449: 1991
7. Imported by Global Procurement and Marketing Ltd
8. **xxmm** thickness tempered glass
9. Model no. **xxx** Batch no. **xxx**
10. Dimensions: **00 x 00 x 00mm**
11. If a glass component is chipped or broken, replace with glass of the type described above. Consult the manufacturer, retailer or agent with regard to obtaining a manufacturing specification and shape for replacement glass quoting the model number and batch number or date of manufacture.

## Care and Maintenance

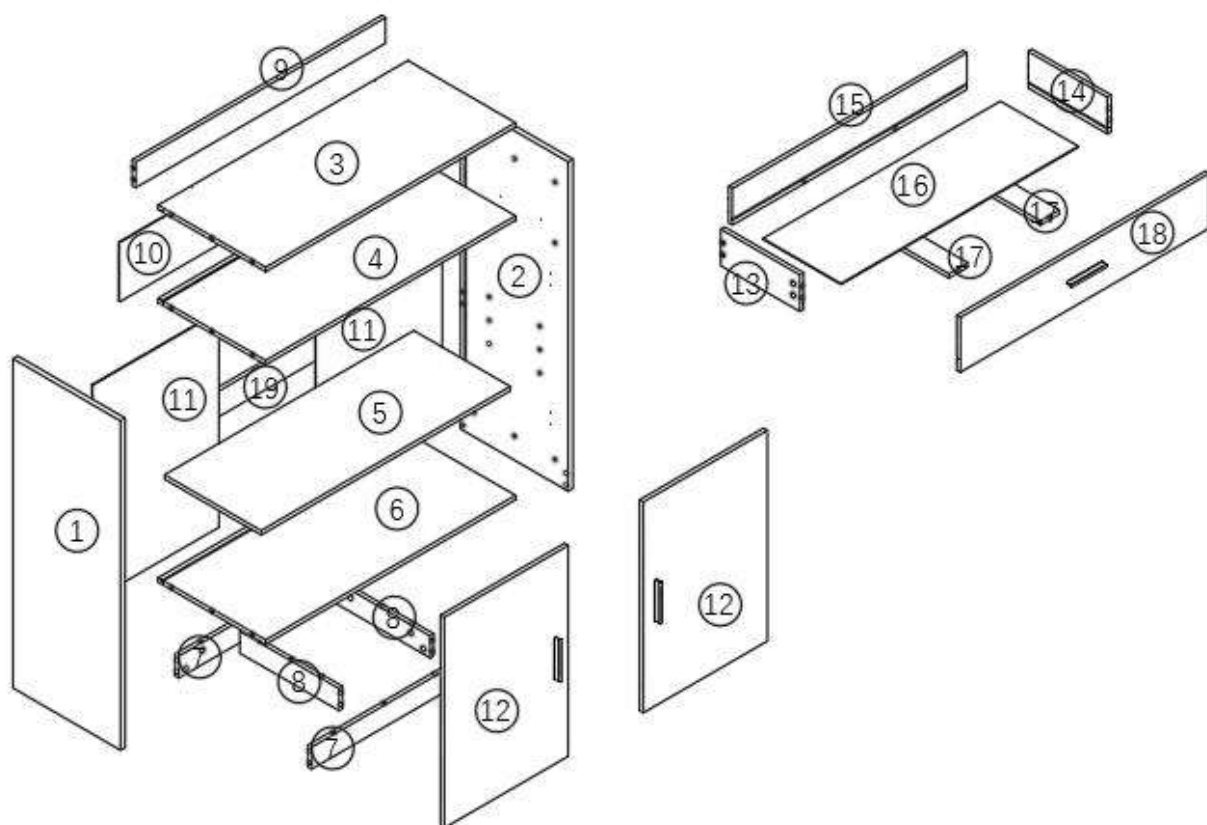
- Only clean using a damp cloth and mild detergent, do not use bleach or abrasive cleaners.
- From time to time check that there are no loose screws on this unit.
- This product should not be discarded with household waste. Take to your local authority waste disposal centre.

If kept outside please ensure in the winter months that the product is correctly covered or put away into a dry environment to prevent corrosion, weathering or damage.

If your product is not designed to be outside, we recommend that it is always kept indoors in a dry environment.

**If you are unhappy with the product and wish to return it, please follow the retailer's returns procedure.**

# Exploded View



# Components - Panels

**Please check that you have all the components listed below before constructing your item.**












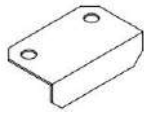

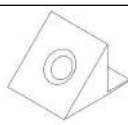
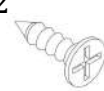
Part No	Description	Qty	Size (mm)	Thickness (mm)
1	LEFT SIDE PANEL	1	900x340	15
2	RIGHT SIDE PANEL	1	900x340	15
3	TOP PANEL	1	790x340	12
4	CROSS SEPARATOR PANEL	1	790x340	12
5	MOVEABLE SHELF	1	788x305	12
6	BOTTOM PANEL	1	790x340	12
7	KICK PANEL	2	790x60	12
8	SUPPORT PANEL	2	314x60	12
9	BACK JOINT	1	790x70	12
10	BACK PANEL -TOP PART	1	162x799	3
11	BACK PANEL-BOTTOM PART	2	588x399	3
12	DOOR	2	576X392	12
13	DRAWER LEFT SIDE	1	250x100	12
14	DRAWER RIGHT SIDE	1	250x100	12
15	DRAWER STOPPER	1	741x100	12
16	BACK BOTTOM PANEL	1	750x246	3
17	DRAWER BOTTOM SUPPORT	2	237x50	12
18	DRAWER FACE	1	786x150	12

**Important – Please read these instructions fully before starting assembly**

# Components - Fixings

Please check that you have all the components listed below before constructing your item.

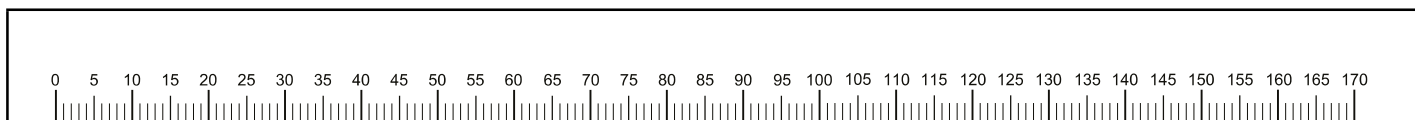
**Note:** The quantities below are the correct amount to complete the assembly. In some cases more fittings may be supplied than are required.

(A)	 44pcs	(B)	6*30  22pcs	(C)	3.5*14  20pcs	(D)	3.5*12  14pcs
(E)	 1pcs	(F)	 1pcs	(G)	 1pcs	(H)	 4pcs
(I)	4*15  6pcs	(J)	 3pcs	(K)	3.5*30  7pcs	(L)	 1pcs
(M)	 4pcs	(N)	 12pcs	(O)	3*12  12pcs	(P)	
(Q)		(R)		(S)		(T)	
(U)		(V)		(W)		(X)	

## Tools Required

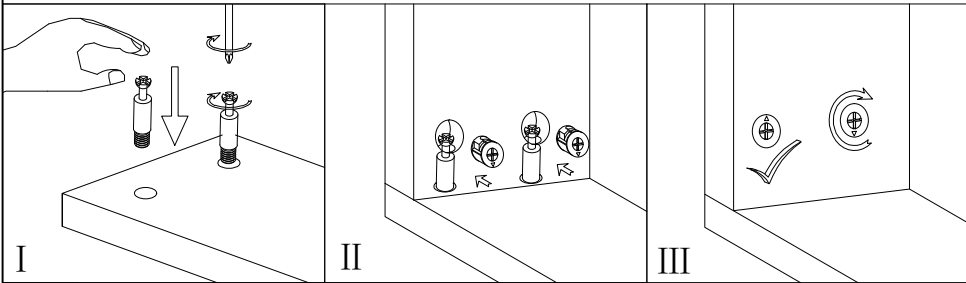
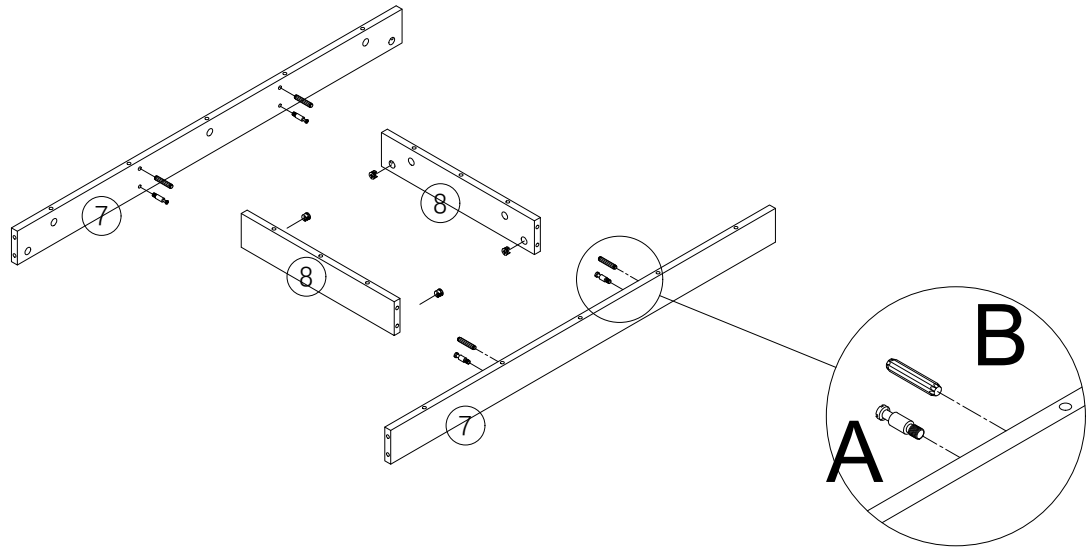


Ruler – Use this to measure your screws (mm)



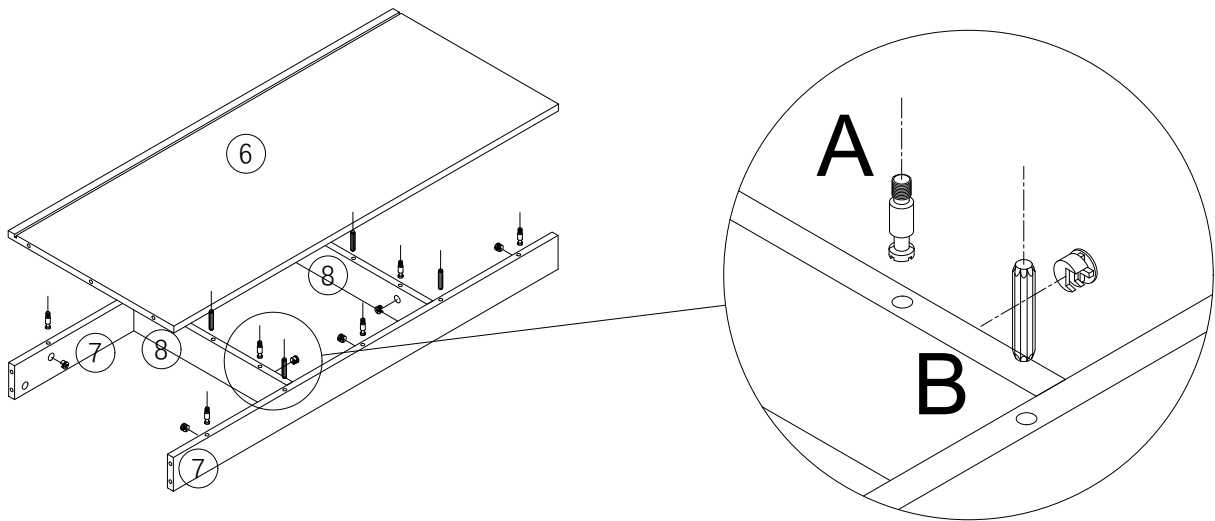
**Important** – Please read these instructions fully before starting assembly

1



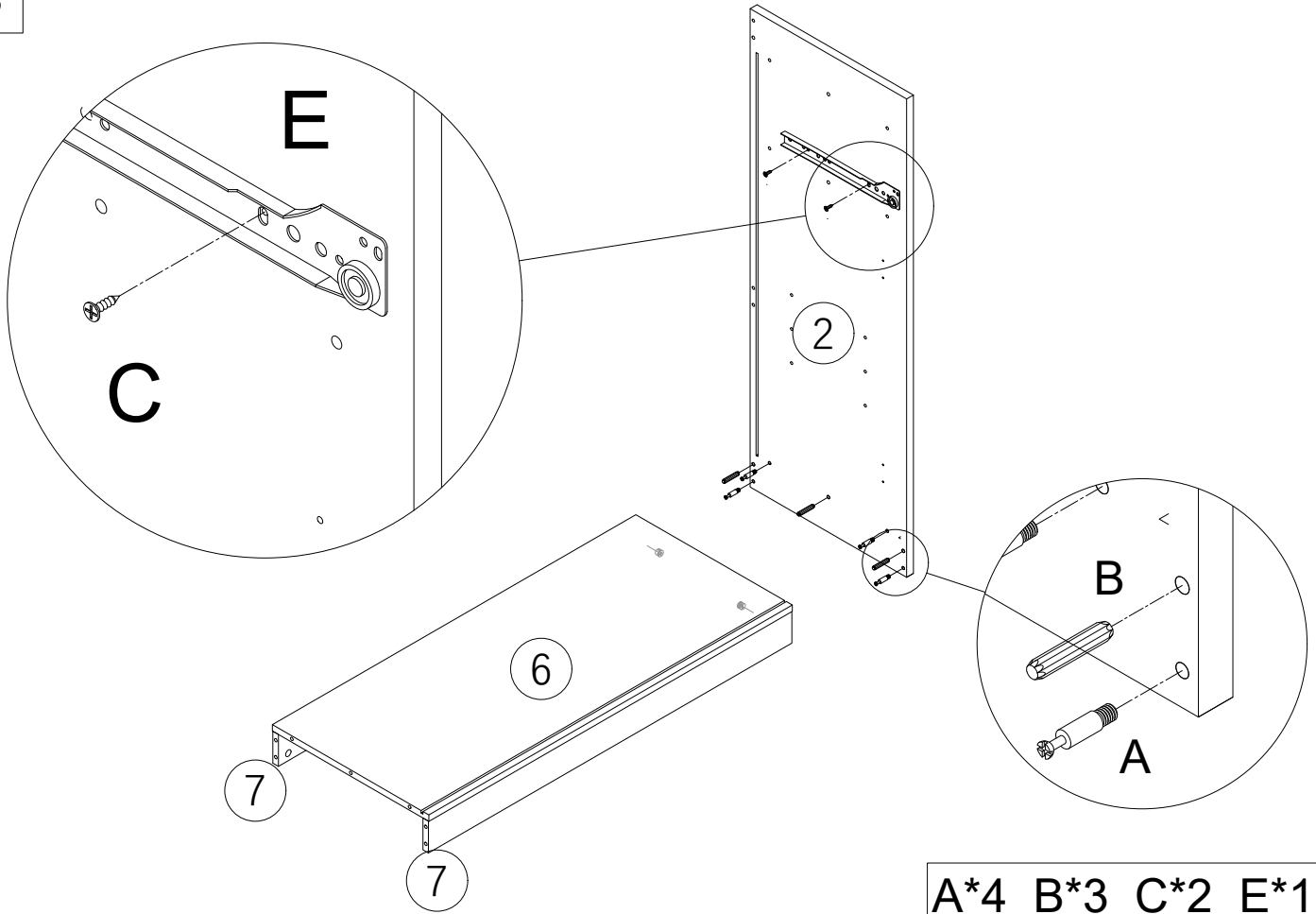
A\*4 B\*4

2



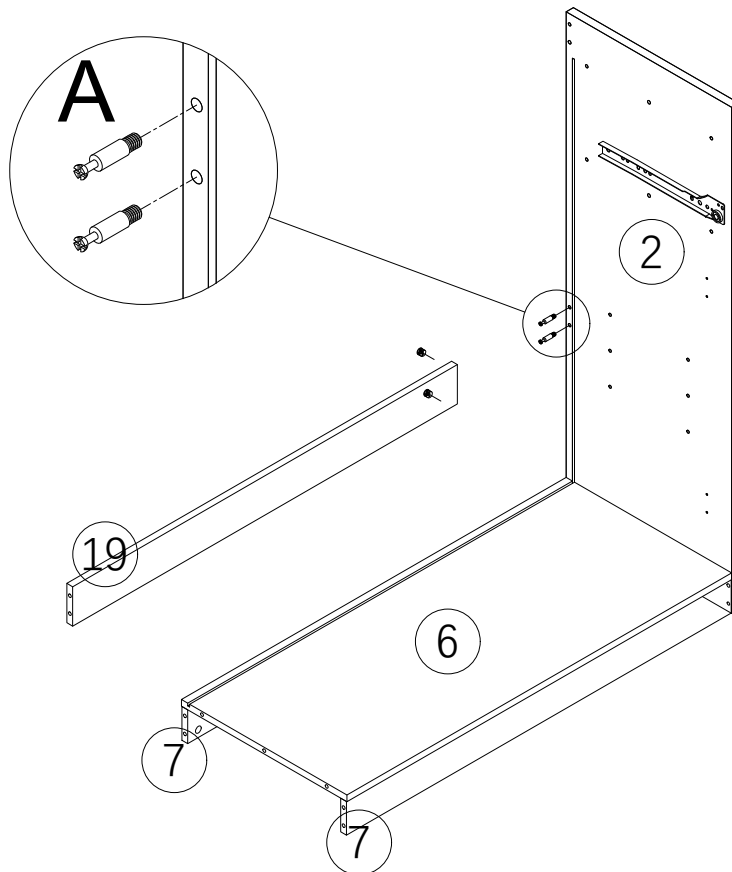
A\*10 B\*6

3



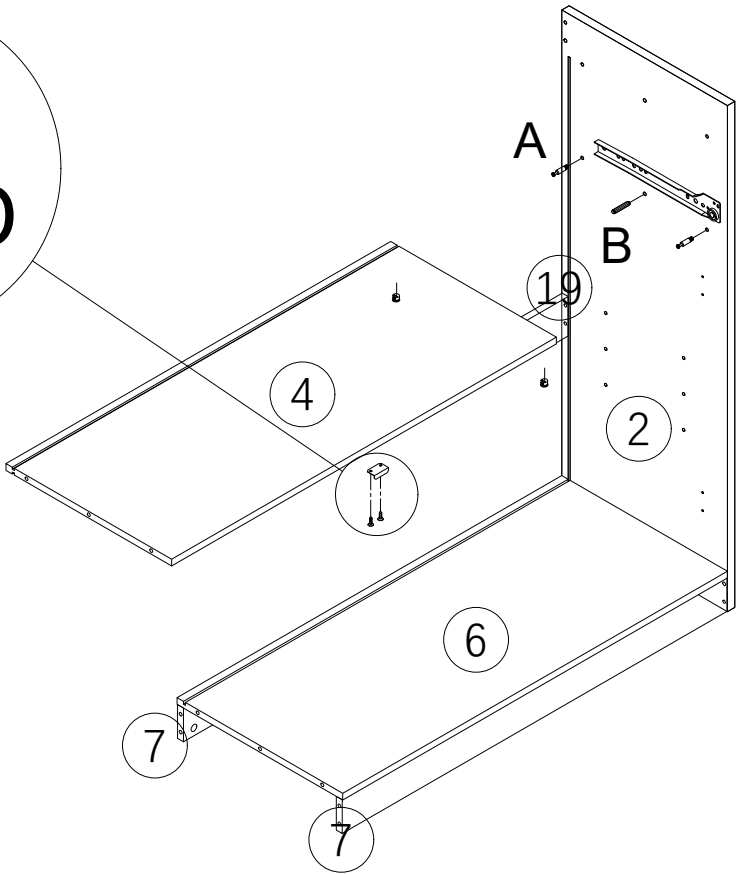
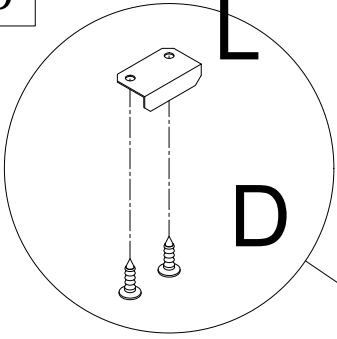
A\*4 B\*3 C\*2 E\*1

4



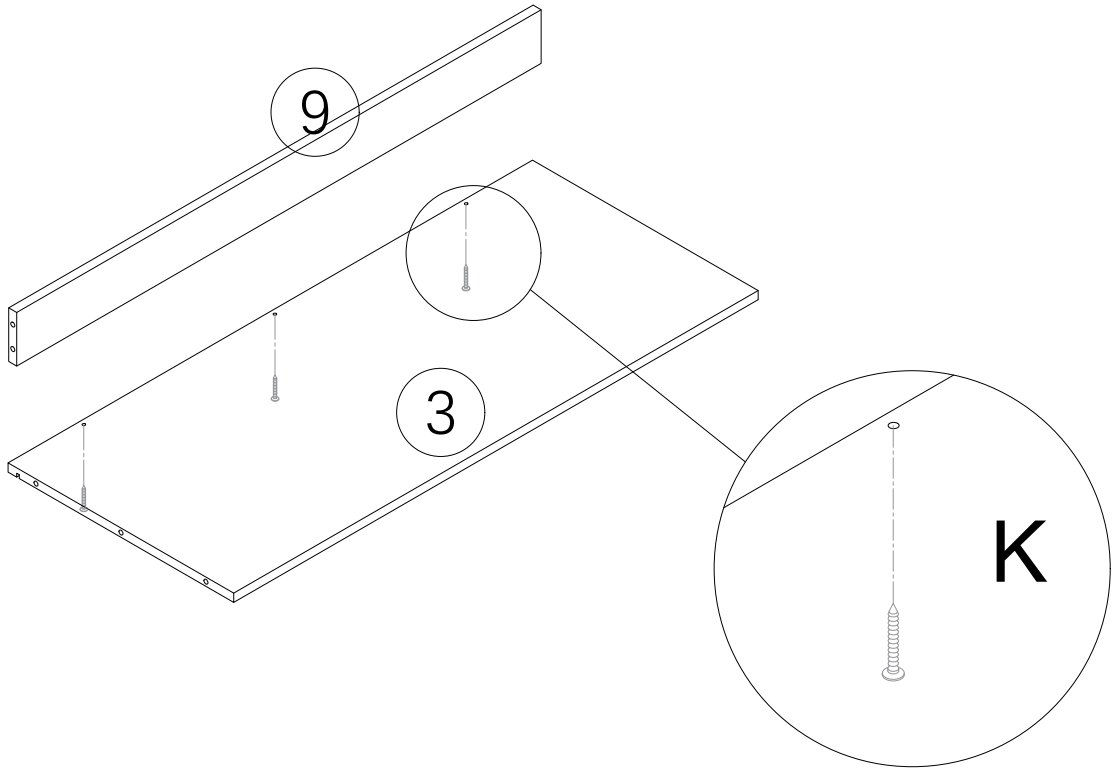
A\*2

5



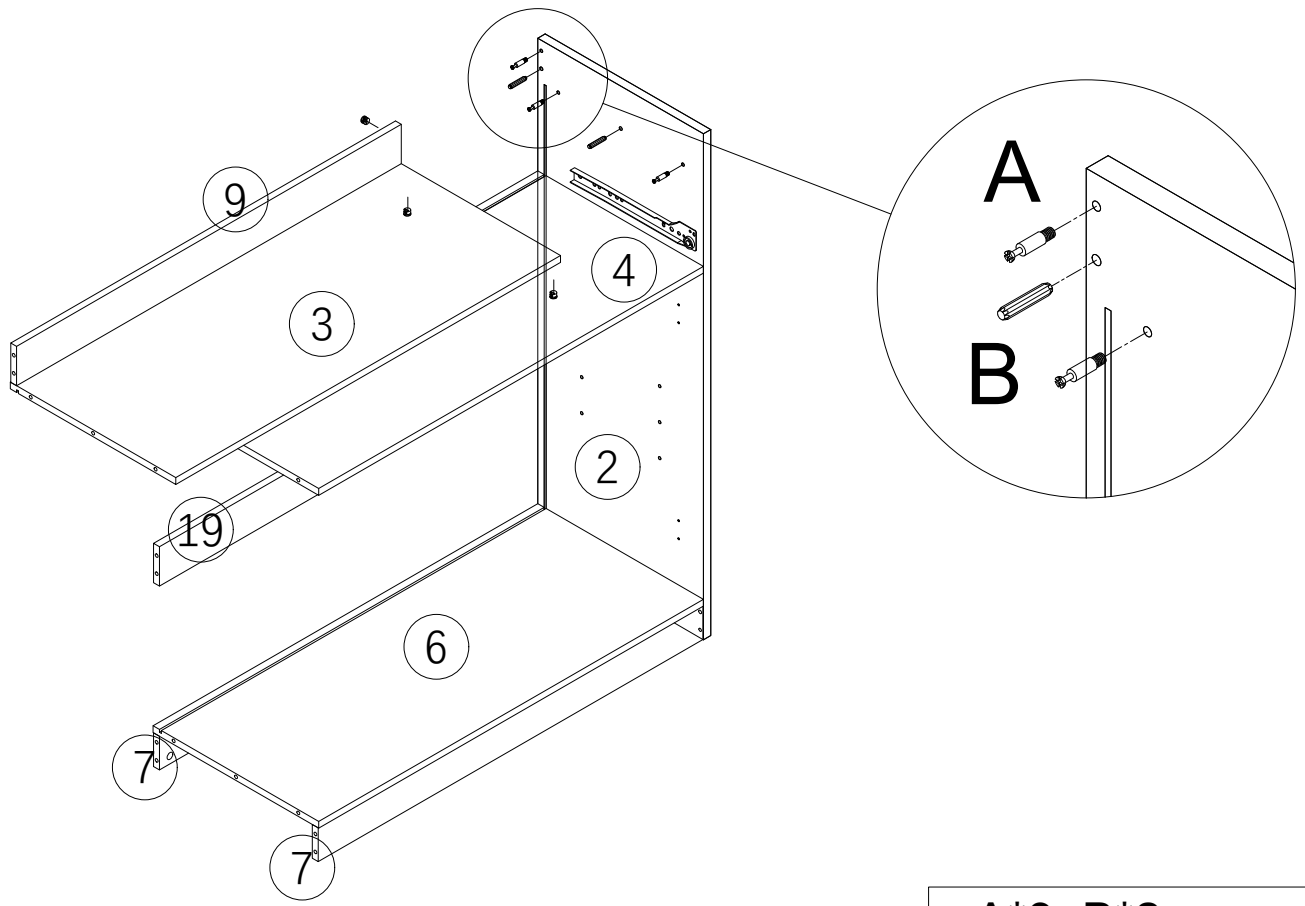
A\*2 B\*1 D\*2 L\*1

6



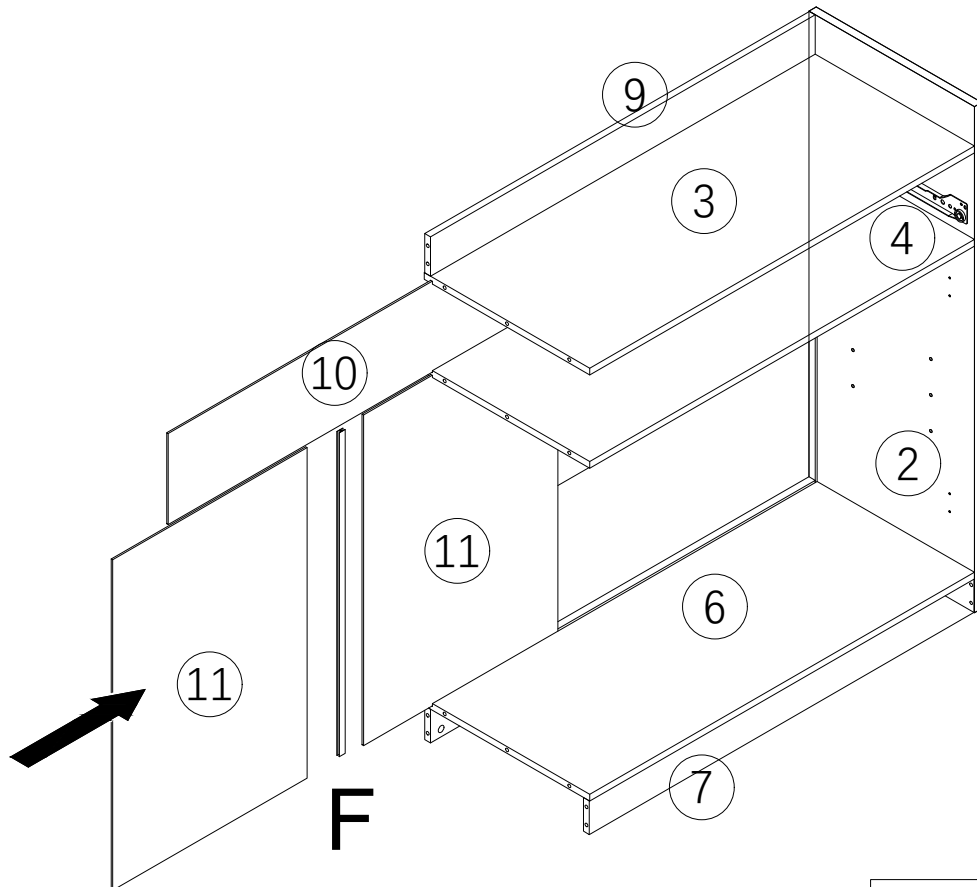
K\*3

7



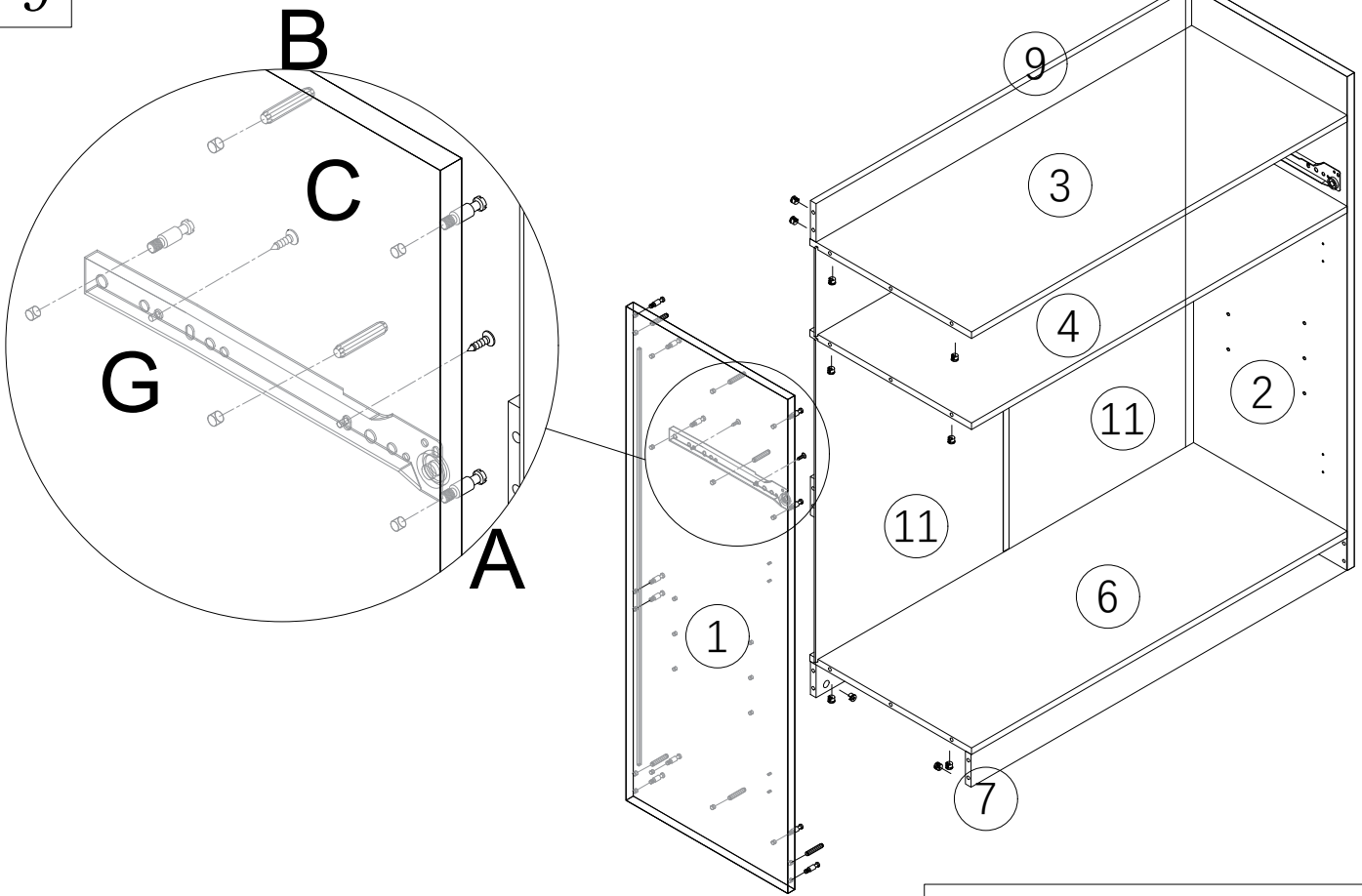
A\*3 B\*2

8



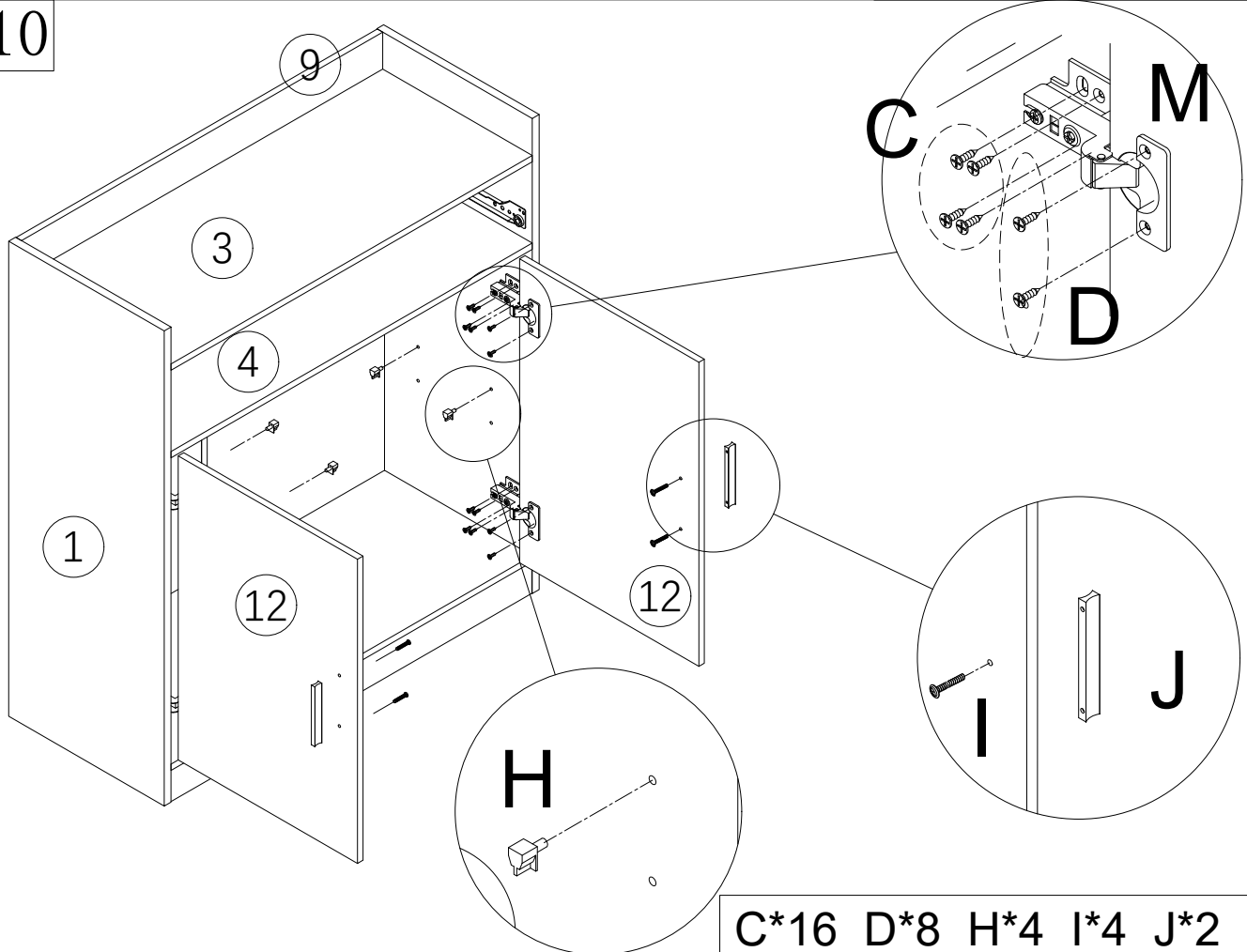
F\*1

9



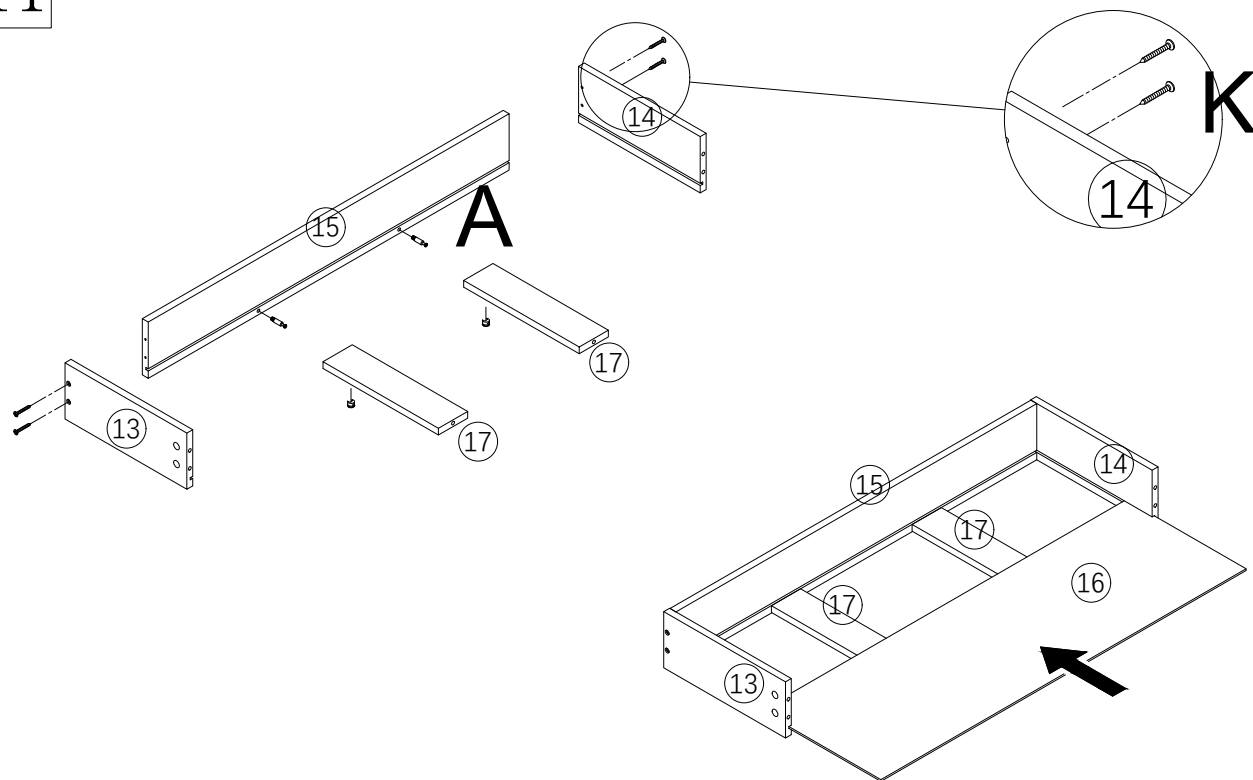
A\*11 B\*6 C\*2 G\*1

10



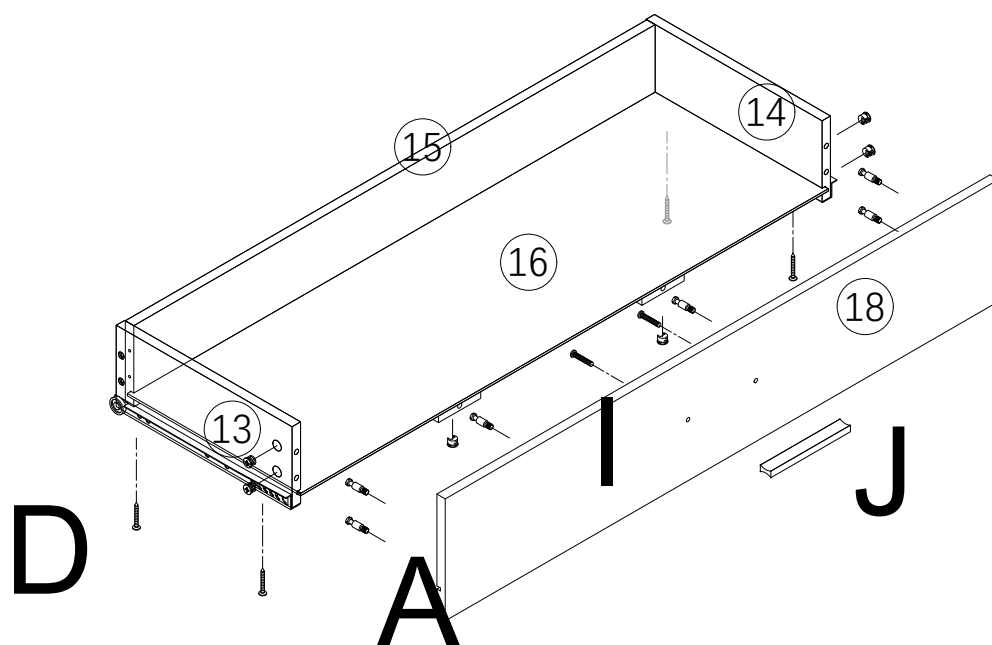
C\*16 D\*8 H\*4 I\*4 J\*2 M\*4

11



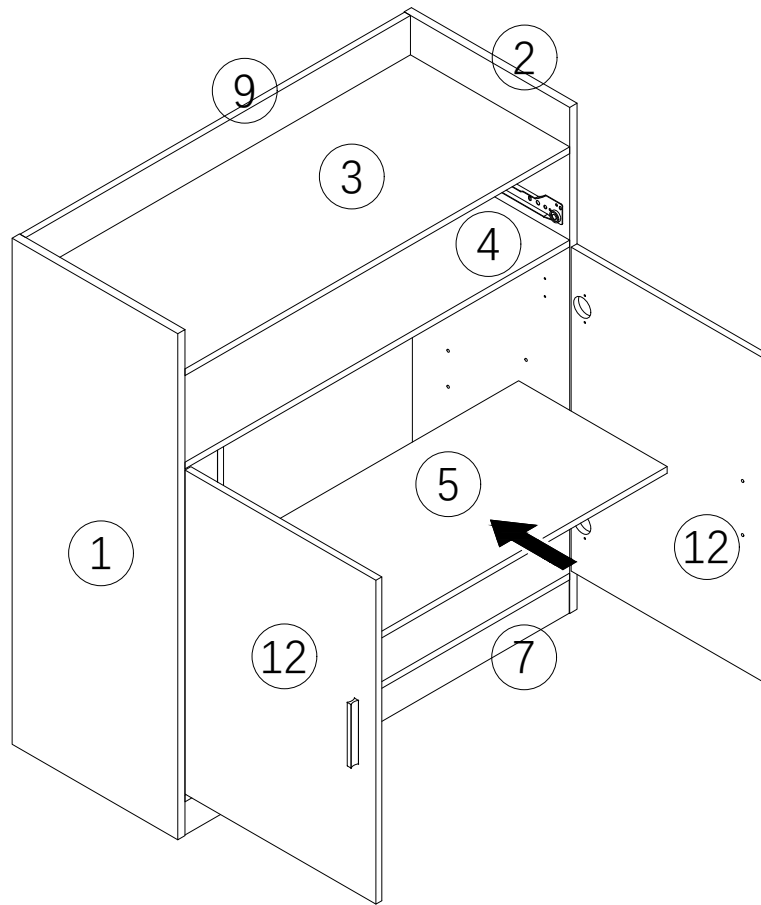
A\*2 K\*4

12

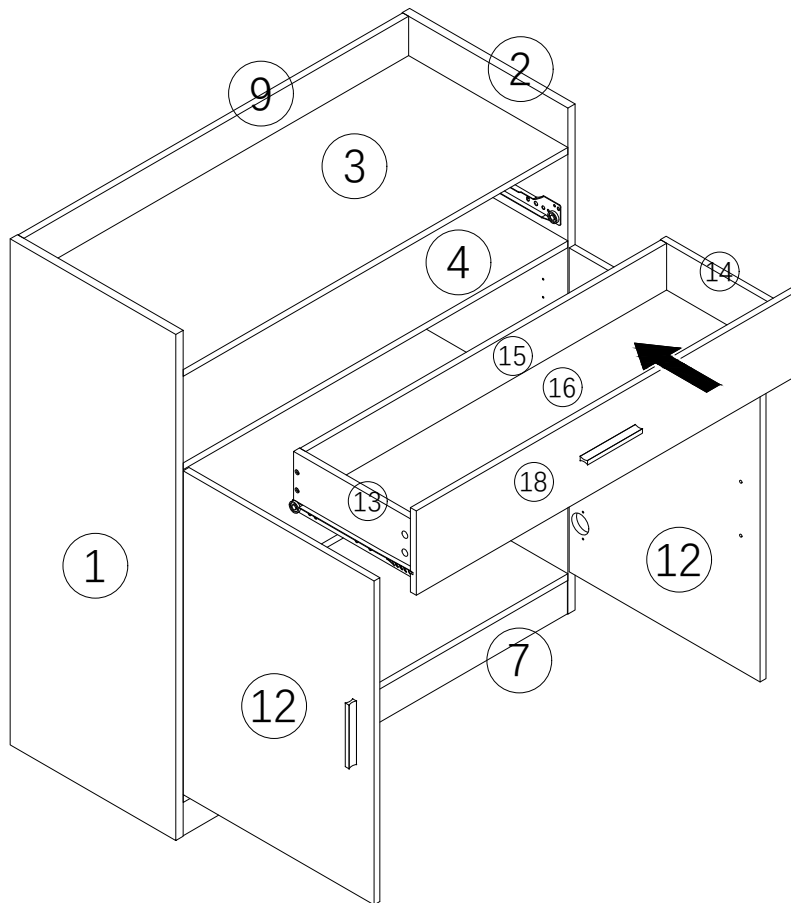


A\*6 D\*4 I\*2 J\*1

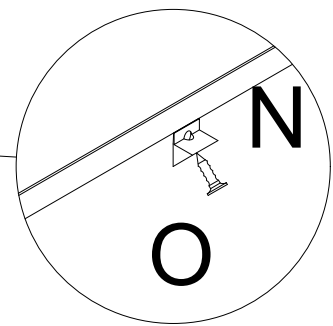
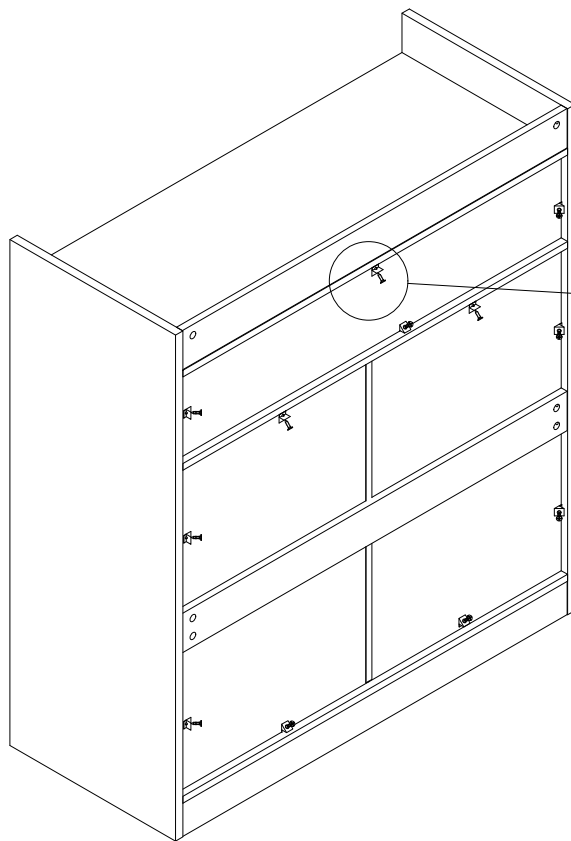
13



14



15



N\*12 O\*12

16

