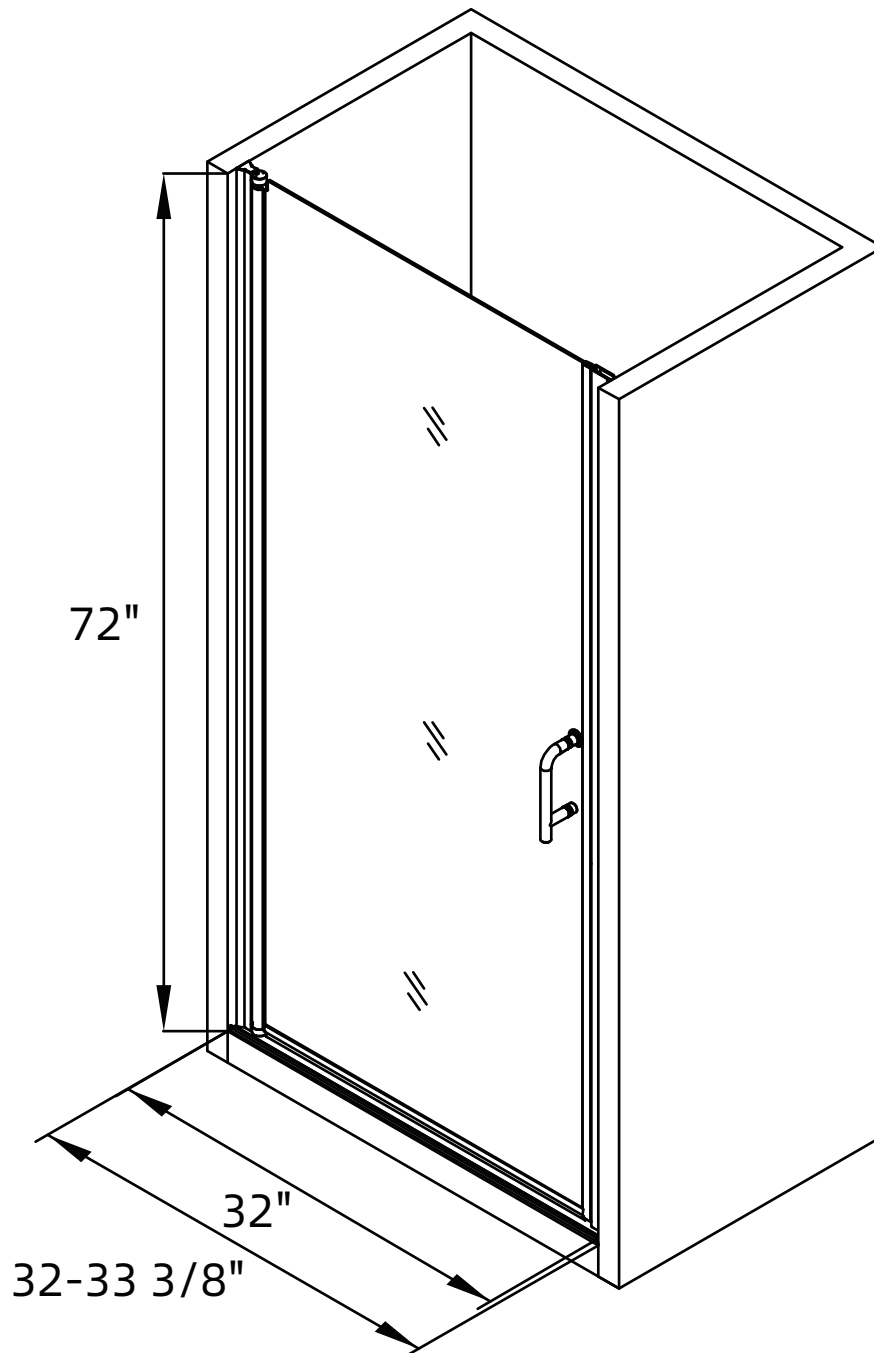


Dimension/Specification



RX-SD04-3272CH