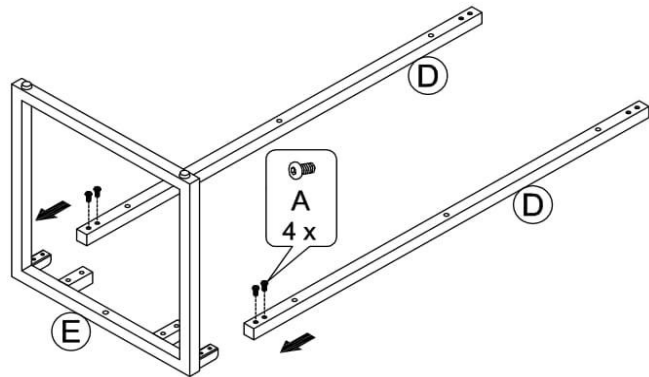
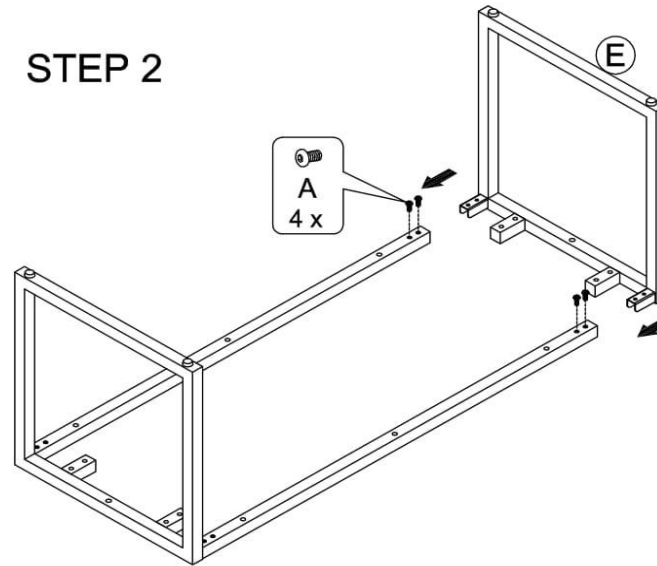


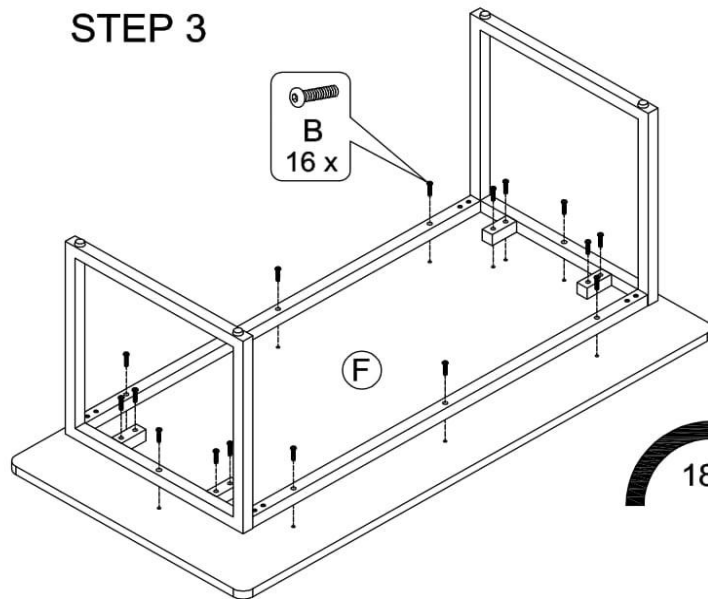
If you have any missing parts or questions please email or call us.  
Please have your product model number available.



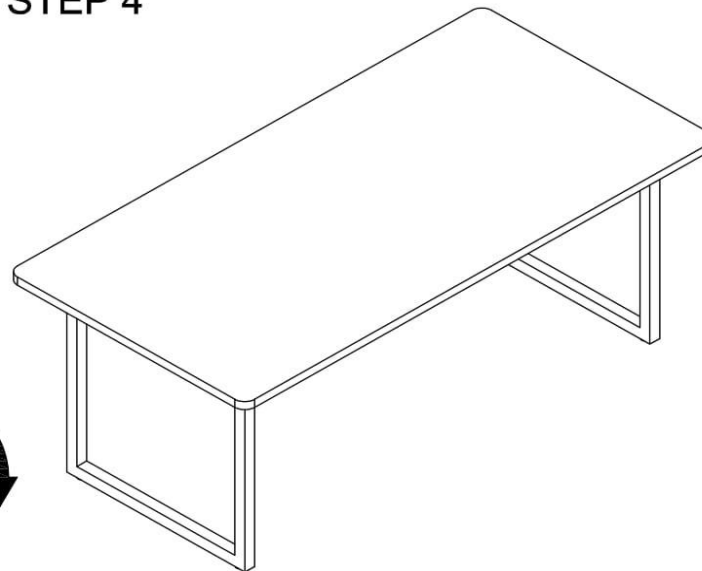
### STEP 2









### STEP 3



### STEP 4



NO.	DESCRIPTION	QTY
A	M6x12mm 	8
B	M6x35mm 	16
C	M4 	1
D		2
E		2
F		1