

## ASSEMBLY&INSTALLATION

Please read carefully and save these instructions,as you may need them a later date.

### CAUTION

Turn off the main power at the circuit breaker before installing the fixture, in order to prevent possible shock.

### GENERAL

All electrical connections must be in accordance with local and National Electrical Code(N.E.C) standards. If you are unfamiliar with proper electrical wiring connections obtain the services of a qualified electrician.

Remove the fixture and the mounting package from the box and make sure that no parts are missing by referencing the illustrations on the installatiinstructions.

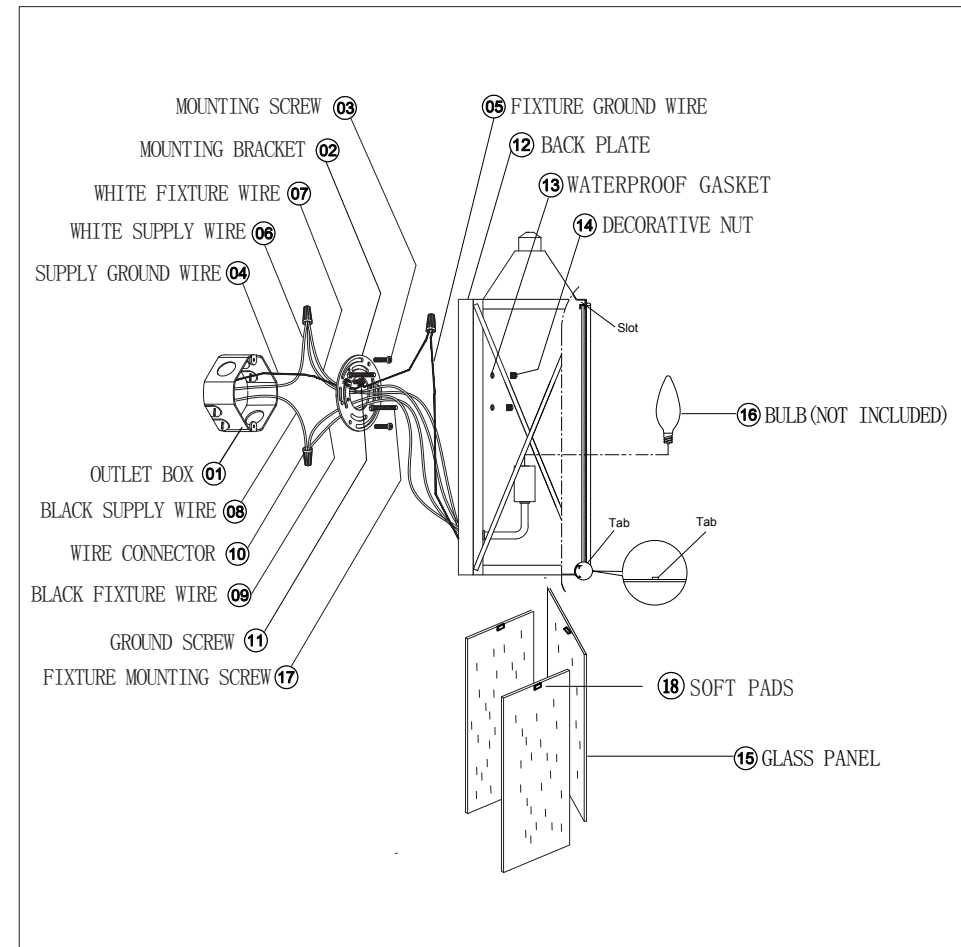
## ASSEMBLY AND INSTALLATION

1. Carefully unpack the fixture, lay out all parts on a clean surface.
2. Mount the mounting bracket (2) to the outlet box(1) (not included) using the outlet box screws (3).
3. Wrap the ground wire (5) from the fixture around the ground screw (11) on the mounting bracket (2). Use a wire connector (10) to connect the ground wire (5) from the fixture to the ground wire (4) from the outlet box.
4. Use a wire connector (10) to connect the white wire (7) from the fixture to the white wire (6 neutral wire) from the outlet box. Use a wire connector (10) to connect the black wire (9) from the fixture to the black wire (8 live wire) from the outlet box. Position the wires inside the outlet box.
5. Place the back plate (12) onto the fixture mounting screws(17), and secure it into place using the waterproof gasket(13) and decorative nuts(14).

## ASSEMBLY AND INSTALLATION (CONT.)

6. Screw light bulbs( 16 not included) into the sockets and make sure they do not exceed the maximum wattage specified on the fixture's wattage rating label.
7. Attach the small soft pads(18)(include in the parts bag) on the middle of Glass Panel Insert the glass panel (15) into the slot in the top edge, Secure the glass panel (15) by pressing the tabs onto the bottom edge.The tabs should be bent up as possible to hold the Glass panel tight.
8. Turn on the power.

### INSTALLATION IS NOW COMPLETED



# Attach Lanyard

A. The purpose of the lanyard is to provide the installer a means to support the fixture from the junction box while connecting the electrical wires. This enables the fixture to hang from the junction box and your hands are free to make the wire connections .

B. Turn the Button Stop so it may be inserted into the inner Backplate slot. Make sure the Button Stop is completely inside the crossbar. Slowly release the fixture to make sure it is supported by the Button Stop. Proceed to the wiring steps. Once you are complete with the wiring there is nothing to do with Lanyard. The Lanyard will push into the junction box when the fixture is placed for final mounting.

